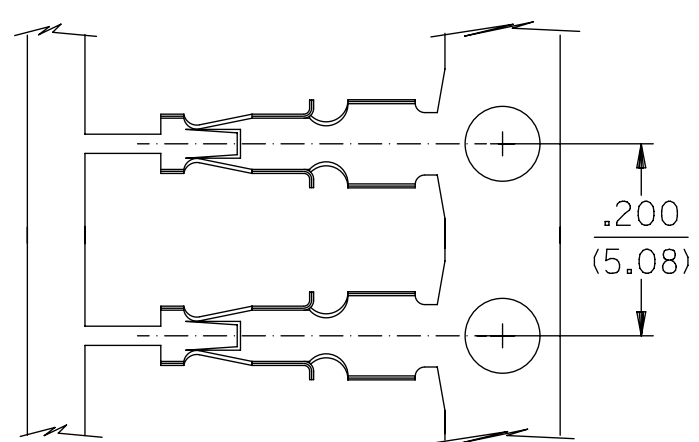
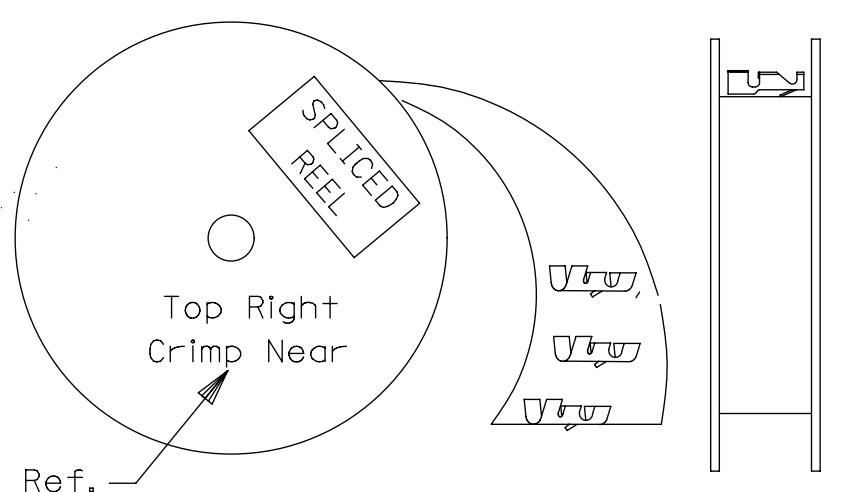
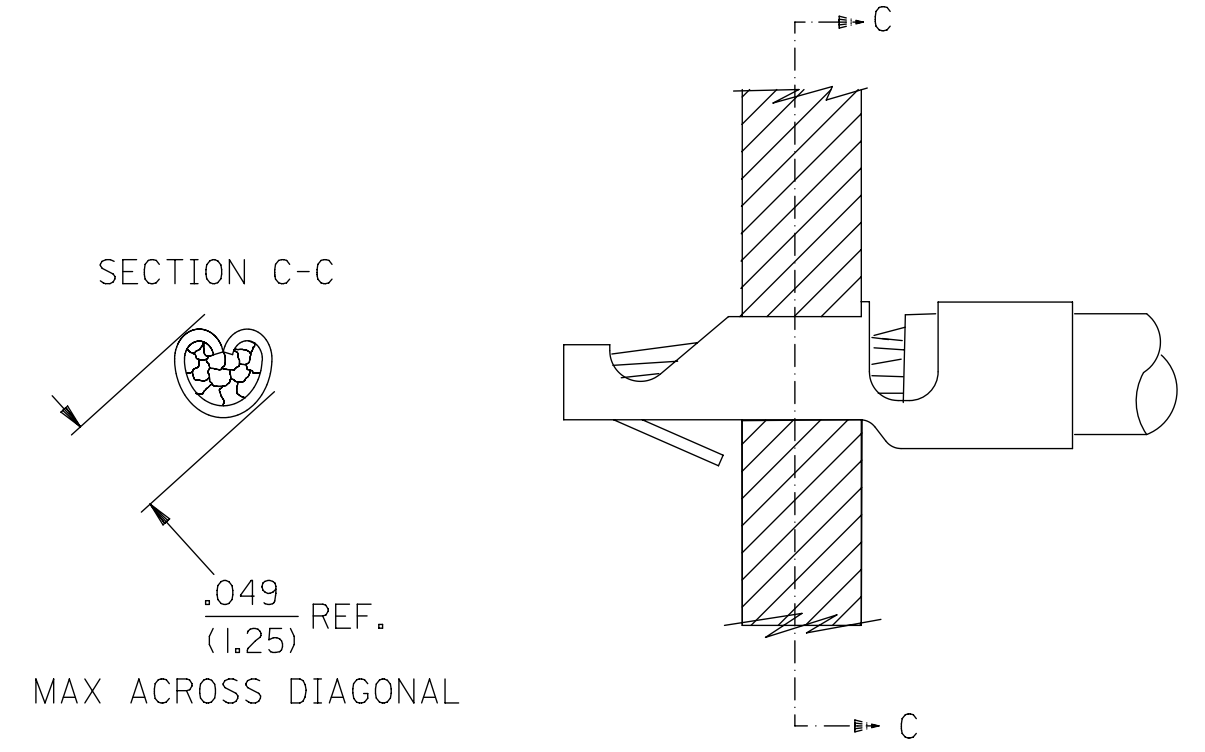
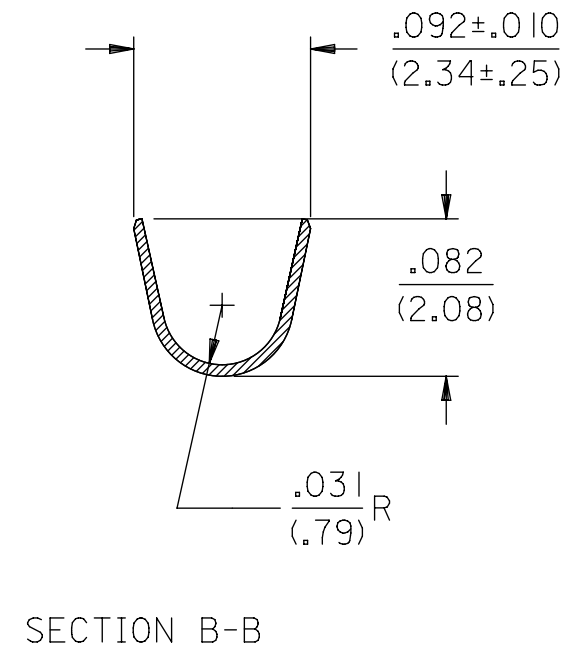
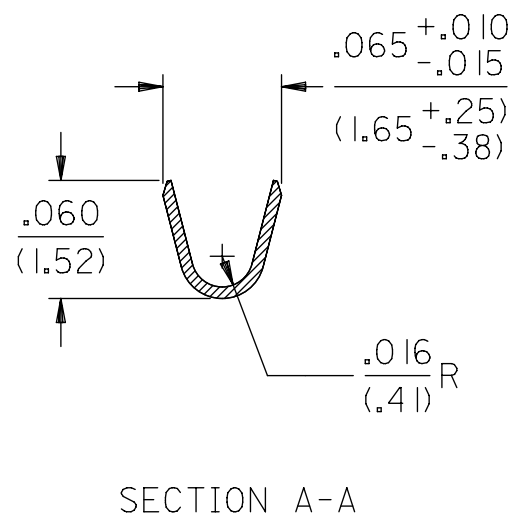
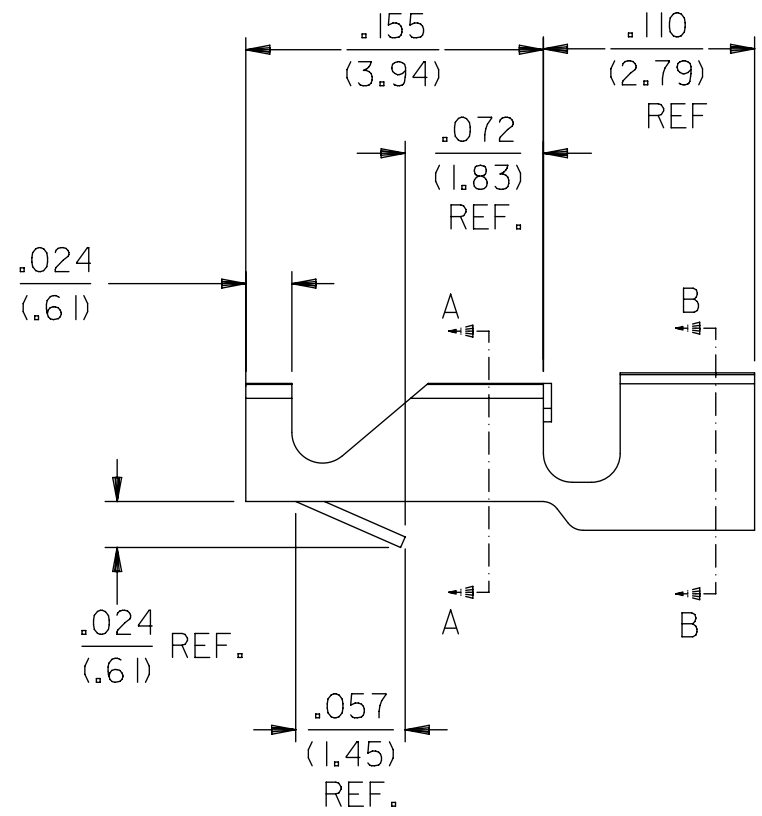


- NOTES:
1. MATERIAL: .006/(0.15) THICK BRASS
 2. FINISH: P909 OVERALL HOT TIN DIP: .000100/(0.00254) MIN.
 3. PRODUCT SPECIFICATION: PS-4706-001
 4. PACKAGING SPECIFICATION: PK-4706-001
 5. TERMINAL FOR USE WITH 22-26 AWG STRANDED WIRE OR 22 AWG SOLID WIRE. INSULATION DIA. .060/(1.52) MAX.
 6. RECOMMENDED PC BOARD HOLE SIZE: .051 ±.002/(1.29 ± 0.05) DIA.
 7. RECOMMENDED PC BOARD THICKNESS: .062 ±.008/(1.57±0.20)
 8. TERMINALS CONFORM TO SOLDERABILITY SPECIFICATION SMES-152.
 9. THIS PART CONFORMS TO CLASS B REQUIREMENTS OF COSMETIC SPECIFICATION PS-45499-002.



PART NUMBER	ENGINEERING NUMBER	FINISH (SEE NOTE 2)
40-08-0605	42001-0001	P909

FUNCTIONAL SYMBOLS	THIS DRAWING CONTAINS INFORMATION THAT IS PROPRIETARY TO MOLEX ELECTRONIC TECHNOLOGIES, LLC AND SHOULD NOT BE USED WITHOUT WRITTEN PERMISSION			CURRENT REV DESC: REVISE NOTES ADD PK SPEC							
	FA = 0	DIMENSION UNITS	SCALE								
FC = 0	INCH/MM	NTS	GENERAL TOLERANCES (UNLESS SPECIFIED)			EC NO: 708187					
FP = 0	4 PLACES	±	MM	INCH	±	DRWN: MKIPPER	2022/05/25	TERMINAL STRAIN RELIEF (5.08)/2.00 CENTERS			
DIVISIONAL SYMBOLS	3 PLACES	±	0.36	±	0.01	CHK'D: SSOUSEK	2022/06/14	PRODUCT CUSTOMER DRAWING			
	2 PLACES	±	0.25	±	0.14	APPR: FSMITH	2022/06/14	DOCUMENT NUMBER			
	1 PLACE	±		±		INITIAL REVISION:		SD-42001			
	0 PLACES	±		±		DRWN: RFC_PLMIMP	2018/09/22	DOC TYPE	DOC PART	REVISION	
	ANGULAR TOL	±	0.5°			APPR: YMARGULI	2001/09/07	MATERIAL NUMBER	CUSTOMER	SHEET NUMBER	
	DRAFT WHERE APPLICABLE MUST REMAIN WITHIN DIMENSIONS					THIRD ANGLE PROJECTION	DRAWING	SERIES	SEE CHART	GENERAL MARKET	1 OF 1