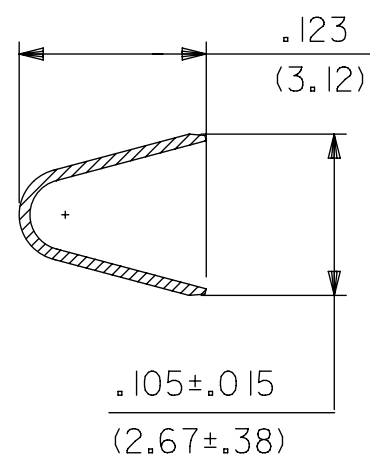
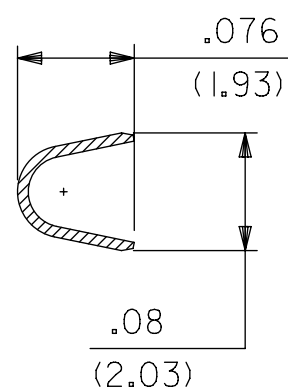


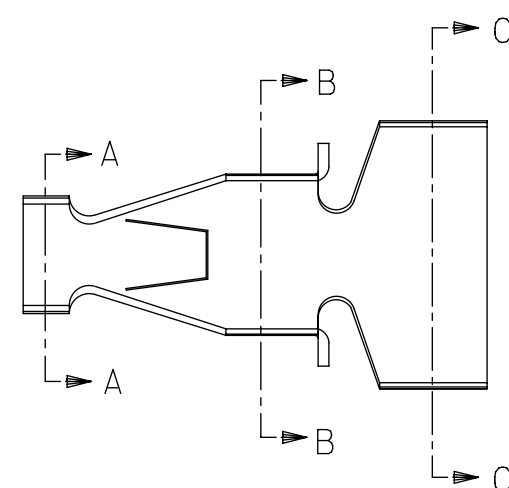
SECTION C-C



SECTION B-B



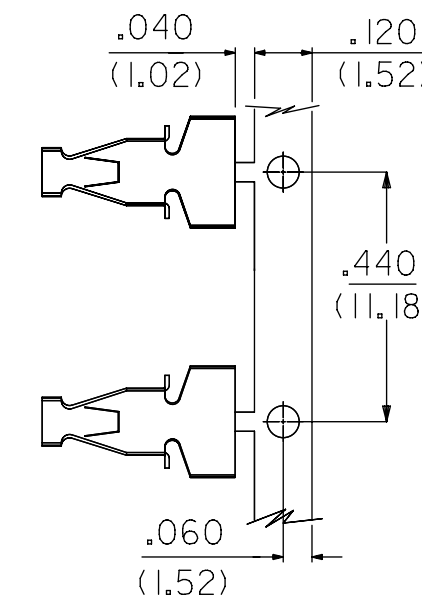
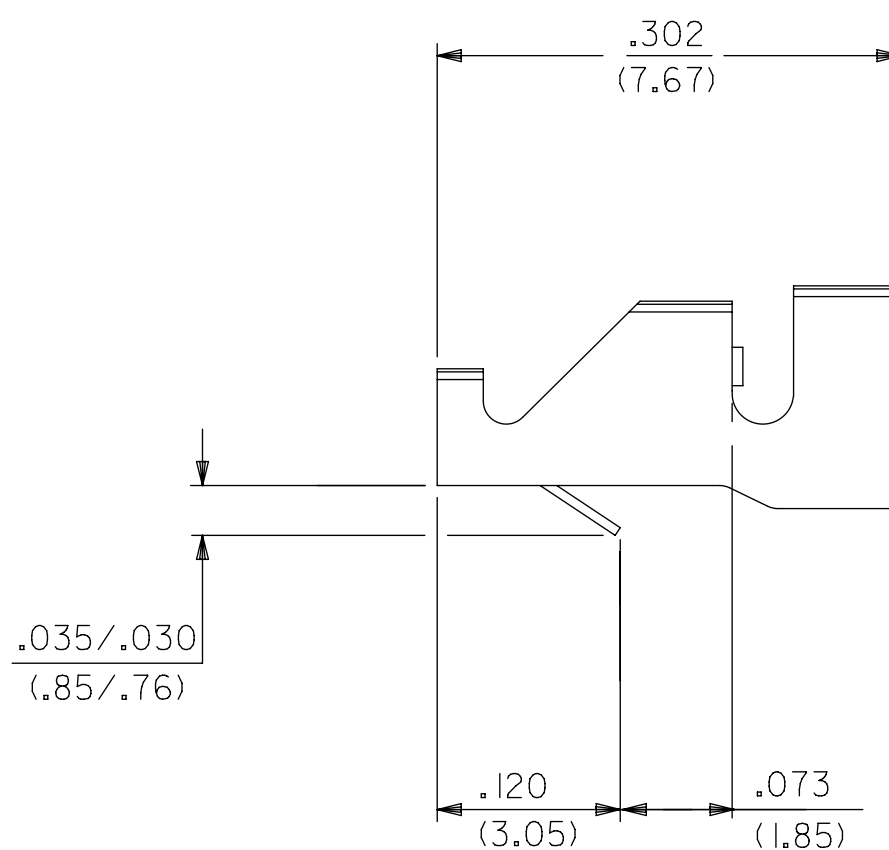
SECTION A-A



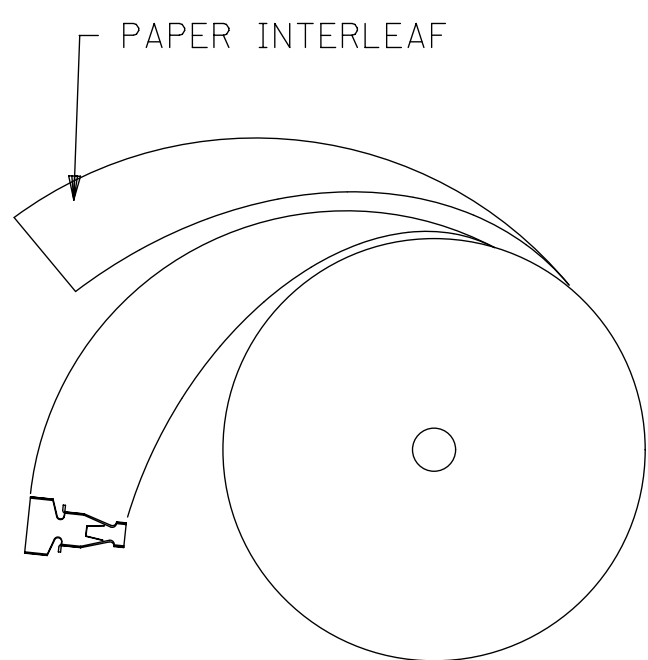
NOTES:

1. MATERIAL: BRASS, .008/(0.20) THICK
2. FINISH: P909 OVERALL HOT TIN DIP: .000100/(0.00254) MIN.
3. PRODUCT SPECIFICATION: PS-4706-001
4. PACKAGING SPECIFICATION: PK-4706-001
5. TERMINAL 4706-(***)* ACCEPTS 16 TO 18 AWG WIRE WITH INSULATION DIA. OF .120/(3.05) MAX.
6. TERMINALS CONFORM TO SOLDERABILITY SPEC SMES-152
7. THIS PART CONFORMS TO CLASS B REQUIRMENTS OF COSMETIC SPECIFICATION PS-45499-002.

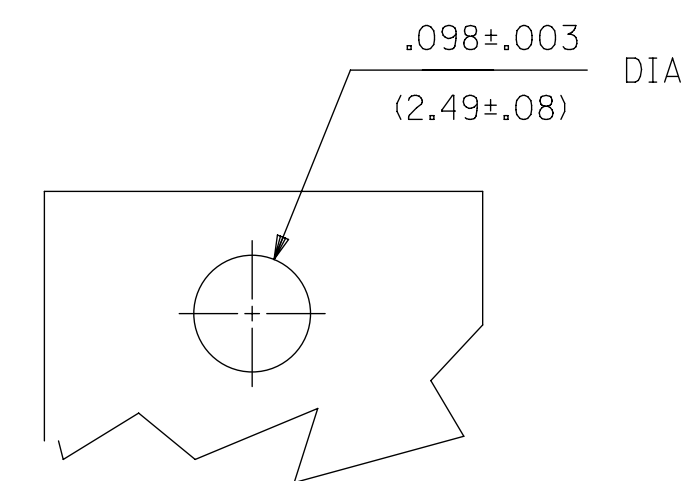
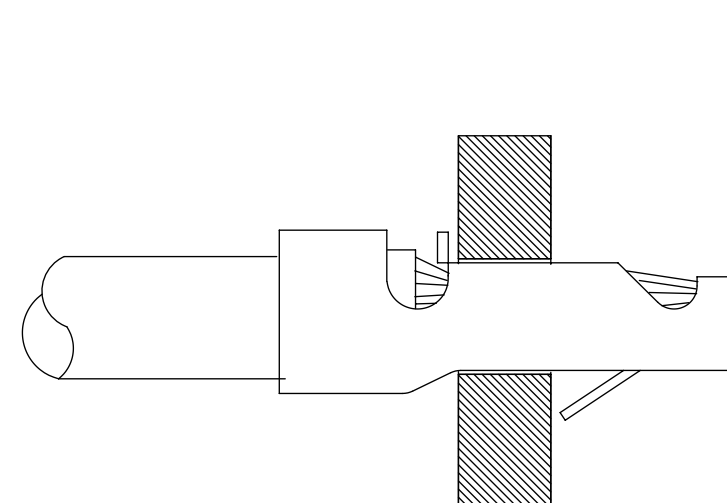
4706-*(***)*
 BLANK=SEE SHT 1
 3=SEE SHEET 2
 PLATING
 FORM
 BLANK=CHAIN
 L=LOOSE



CARRIER DETAIL



WINDING SPEC



RECOMMENDED PC BOARD
.062/(1.57)THICK

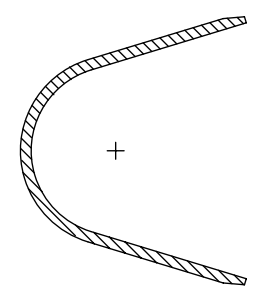
4706-(***)*	
PART NO.	ENGINEERING NO.
02-09-2105	4706-(P909)

FUNCTIONAL SYMBOLS FA=0 FC=0 FP=0	THIS DRAWING CONTAINS INFORMATION THAT IS PROPRIETARY TO MOLEX ELECTRONIC TECHNOLOGIES, LLC AND SHOULD NOT BE USED WITHOUT WRITTEN PERMISSION			
	DIMENSION UNITS INCH/MM		SCALE NTS	
	CURRENT REV DESC: REVISE NOTES, ADD PK SPEC			
	GENERAL TOLERANCES (UNLESS SPECIFIED)			
DIVISIONAL SYMBOLS	MM		INCH	
	4 PLACES	±	±	
	3 PLACES	±	± 0.01	
	2 PLACES	± 0.25	± 0.14	
1 PLACE	± 0.36	±		
0 PLACES	±	±		
ANGULAR TOL ± 0.5°		DRAFT WHERE APPLICABLE MUST REMAIN WITHIN DIMENSIONS		
THIRD ANGLE PROJECTION		DRAWING SERIES		
EC NO: 708187		2022/05/26		
DRWN: MKIPPER		2022/06/14		
CHK'D: SSOUSEK		2022/06/14		
APPR: FSMITH		2022/06/14		
INITIAL REVISION:		2018/09/12		
DRWN: RFC_PLMIMP		2001/09/07		
APPR: YMARGULI		2001/09/07		
DOCUMENT NUMBER		DOC TYPE DOC PART REVISION		
SD-4706		PSD 001 J3		
MATERIAL NUMBER		CUSTOMER		
SEE CHART		GENERAL MARKET		
SHEET NUMBER		1 OF 2		

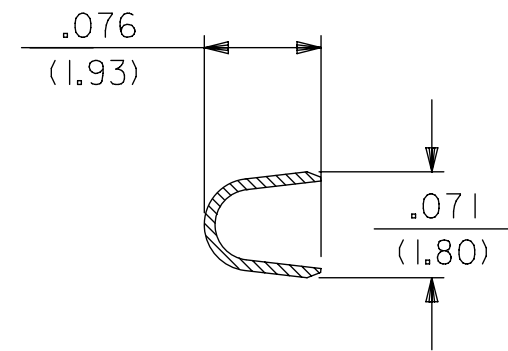
molex

STRAIN RELIEF TERMINAL

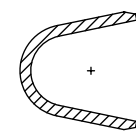
PRODUCT CUSTOMER DRAWING



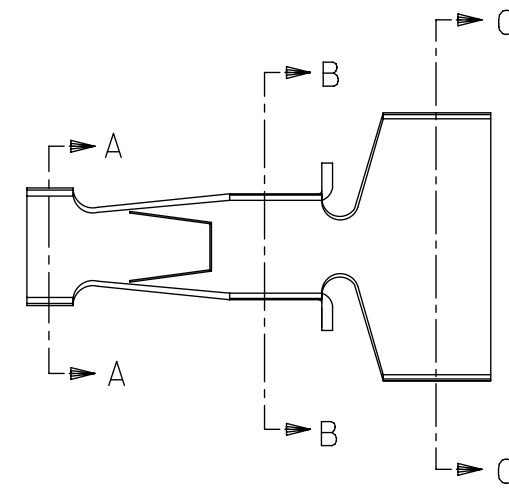
SECTION C-C



SECTION B-B



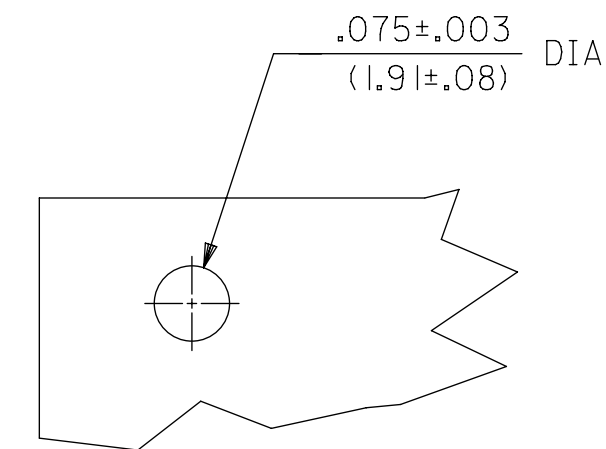
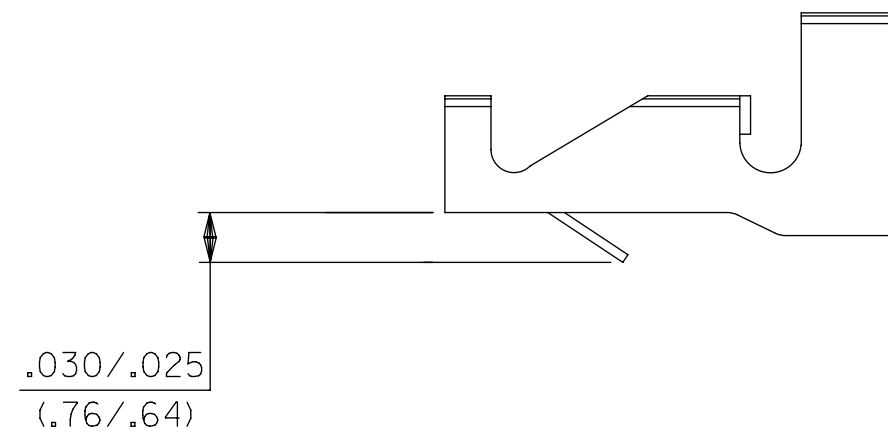
SECTION A-A



NOTES:

1. THIS PART IS THE SAME AS SHEET 1 EXCEPT AS SHOWN
2. MATERIAL: BRASS, .006/(0.15) THICK
3. FINISH: P909 OVERALL HOT TIN DIP: .000100/(0.00254) MIN.
4. TERMINAL 4706-3(***)* ACCEPTS 18 TO 24 AWG WIRE WITH INSULATION DIA. OF .120/(3.05) MAX.

4706-3(***)*	
PART NUMBER	ENGINEERING NO.
02-07-2101	4706-3(P909)



RECOMMENDED PC BOARD
.062/(1.57) THICK

FUNCTIONAL SYMBOLS $\frac{F}{A} = 0$ $\frac{F}{C} = 0$ $\frac{F}{P} = 0$ DIVISIONAL SYMBOLS	THIS DRAWING CONTAINS INFORMATION THAT IS PROPRIETARY TO MOLEX ELECTRONIC TECHNOLOGIES, LLC AND SHOULD NOT BE USED WITHOUT WRITTEN PERMISSION		CURRENT REV DESC: REVISE NOTES, ADD PK SPEC		
	DIMENSION UNITS	SCALE	EC NO: 708187		
	INCH/MM	NTS	DRWN: MKIPPER 2022/05/26		
	GENERAL TOLERANCES (UNLESS SPECIFIED)		CHK'D: SSOUSEK 2022/06/14		
		MM	INCH	APPR: FSMITH 2022/06/14	PRODUCT CUSTOMER DRAWING DOCUMENT NUMBER: SD-4706 DOC TYPE: PSD DOC PART: 001 REVISION: J3
4 PLACES	±	±		INITIAL REVISION: 2018/09/12	
3 PLACES	±	±	0.01	DRWN: RFC_PLMIMP 2018/09/12	MATERIAL NUMBER: SEE CHART CUSTOMER: GENERAL MARKET SHEET NUMBER: 2 OF 2
2 PLACES	±	0.25	± 0.14	APPR: YMARGULI 2001/09/07	
1 PLACE	±	0.36	±	THIRD ANGLE PROJECTION	
0 PLACES	±	±		DRAWING: C-SIZE	
		ANGULAR TOL	± 0.5 °	SERIES: 4706	
		DRAFT WHERE APPLICABLE MUST REMAIN WITHIN DIMENSIONS			