

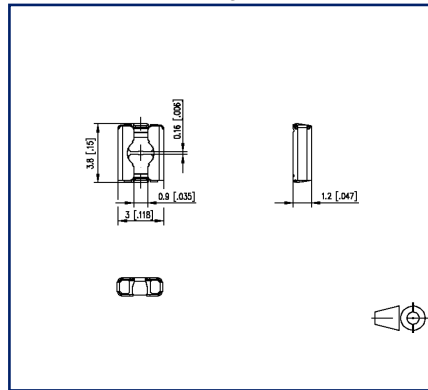
Data sheet

SM02V01VXNN01G1 15-inch Reel solder pad/component side

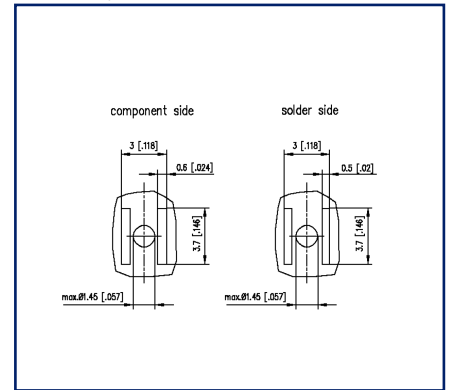
Illustrations



Dimensional drawing



PCB-Layout



See enlarged drawings at the end of document

Product specification

- spring clamp terminal block, SMT solderable
- one-way contact
- direction of connection vertical 0°
- Tape & Reel packaging



Technical Data

General Data

min. number of poles	1
max. number of poles	1
Protection category	IP00
Min. insul. strip length	4 mm
Rated current	4 A

Terminal data

rat.wiring solid AWGmax	0.25 mm ² - 0.5 mm ² / AWG 24 - AWG 20
-------------------------	--

Material

contact material	CuBe
Contact surface	Ni + Sn
REACH	compliant
REACH - substance (SVHC)	none

Climatic Data

upper limit temperature	150 °C
lower limit temperature	-40 °C

general

Tolerance	ISO 2768 -mH
Solderability	Acc. to IPC/JEDEC J-STD-020D-MSL 1

Sicherheitshinweis

Safety instructions	Components have to be fixed in a way to prevent any transmission of forces on to the contact. Components with more than one pin are recommended.
---------------------	--

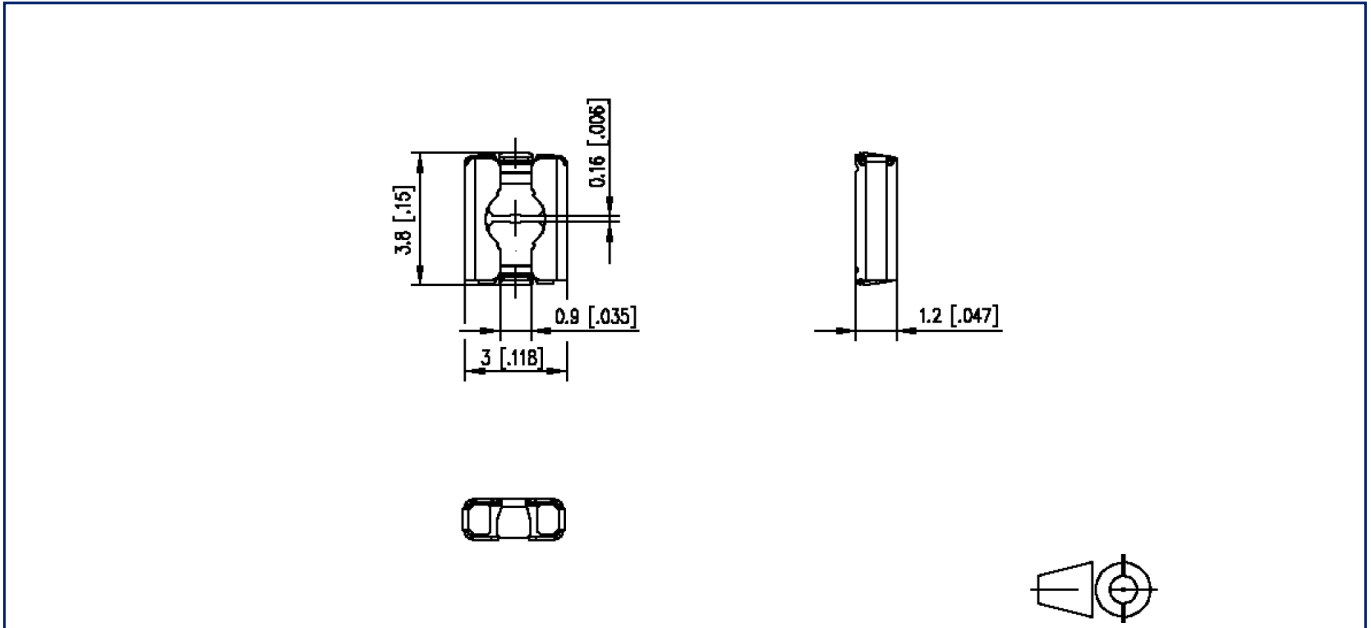
General information

General information	Technical data were determined with round copper wires.
---------------------	---

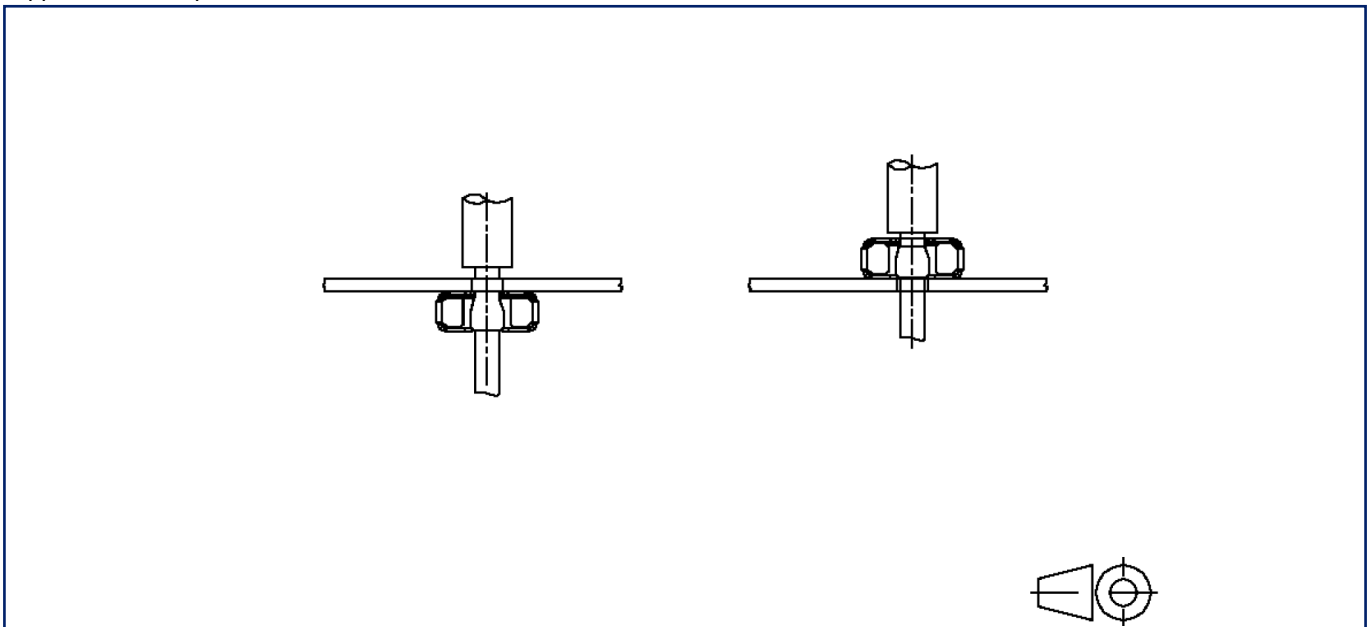


Illustrations

Dimensional drawing



Application example



Illustrations

PCB-Layout

