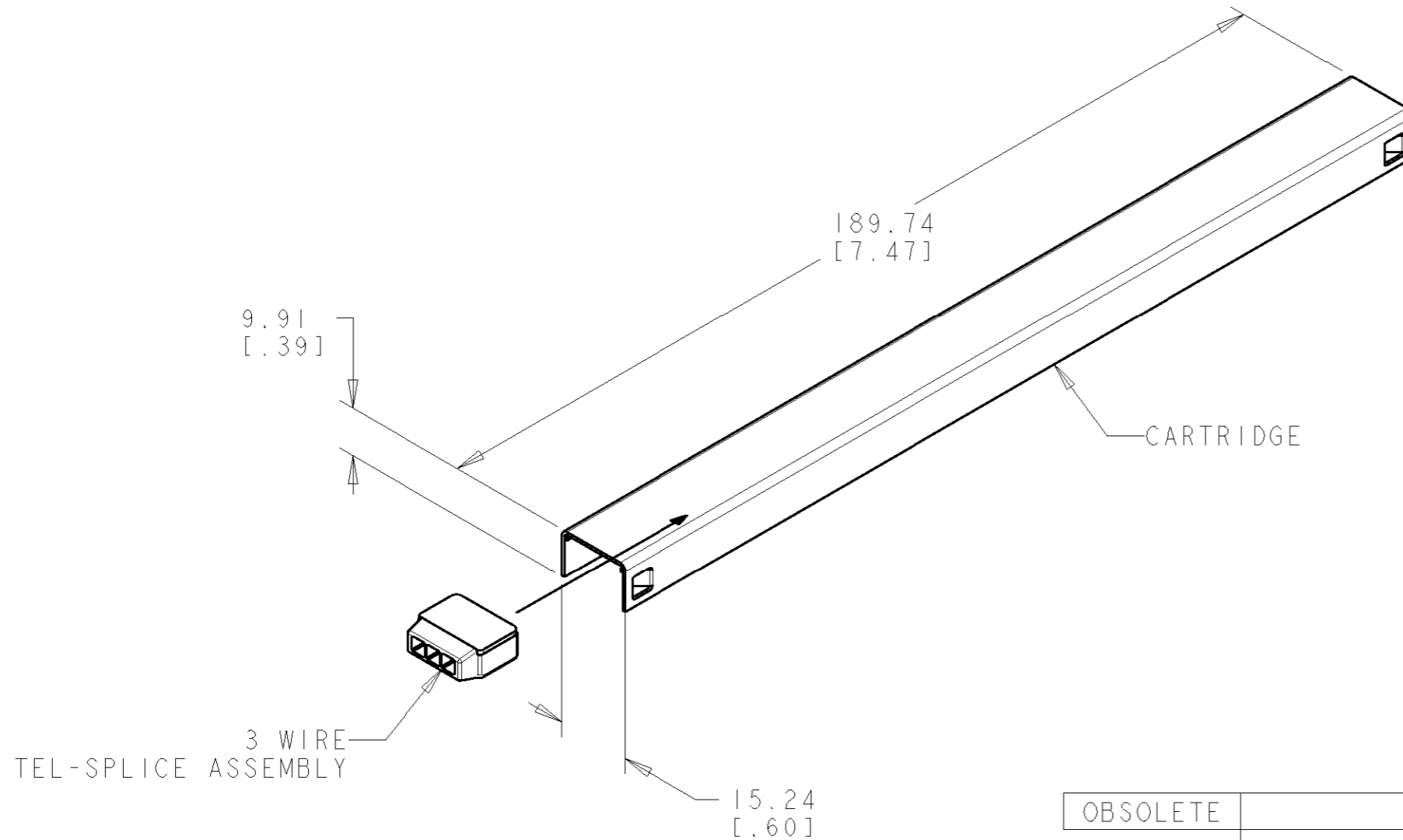


THIS DRAWING IS UNPUBLISHED. RELEASED FOR PUBLICATION 20  
 © COPYRIGHT 20 BY TYCO ELECTRONICS CORPORATION. ALL RIGHTS RESERVED.

LOC HM DIST 00

REVISIONS					
P	LTR	DESCRIPTION	DATE	DWN	APVD
	J	ECO-06-003885	06MAR2006	JM	NJ
	K	ECO-06-019827	04OCT2006	JM	NJ
	L	REV; ECO-07-011012	14MAY2007	GG	NJ



- ALL DIMENSIONS SHOWN ARE NOMINAL UNLESS OTHERWISE SPECIFIED.
- MATERIAL: HOUSING - POLYPROPYLENE, CLEAR OR YELLOW.  
TERMINAL - TIN PLATED PHOSPHOR BRONZE.  
CARTRIDGE - RIGID PVC.
- WIRE RANGE: 19-26 AWG SOLID COPPER CONDUCTORS.
- TEL-SPLICE ASSEMBLIES WITHOUT SEALANT (UNFILLED) SHALL BE YELLOW.

OBSOLETE	DESCRIPTION	PART NUMBER
10	FILLED	555790-3
14	UNFILLED $\triangle 4$	555790-2
14	FILLED	555790-1

<small>THIS DRAWING IS A CONTROLLED DOCUMENT FOR TYCO ELECTRONICS CORPORATION IT IS SUBJECT TO CHANGE AND THE CONTROLLING ENGINEERING ORGANIZATION SHOULD BE CONTACTED FOR THE LATEST REVISION.</small>		DWN G. GARRETT 27AUG02 CHR L. SMITH 27AUG02 APVD A. KINKA 27AUG02		<b>tyco</b> Tyco Electronics <b>Electronics</b> Harrisburg, PA 17105-3608	
DIMENSIONS: MM [INCHES] 		TOLERANCES UNLESS OTHERWISE SPECIFIED: 0 PLC ± 1 PLC ± 2 PLC ± 3 PLC ± 4 PLC ± ANGLES ±		NAME SINGLE CARTRIDGE ASSEMBLY, 3 WIRE, TEL-SPLICE	
MATERIAL - $\triangle 2$		FINISH - $\triangle 2$		PRODUCT SPEC - APPLICATION SPEC - WEIGHT -	
CUSTOMER DRAWING				SIZE A3 CAGE CODE 00779 DRAWING NO C=555791 RESTRICTED TO -	
SCALE				SHEET OF REV L	