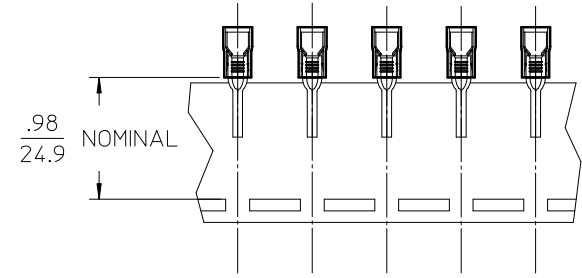
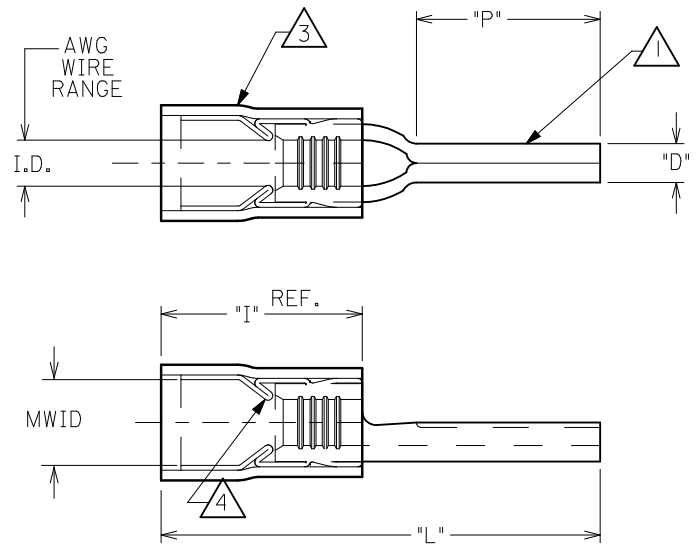


10	9	8	7	6	5	4	3	2	1	
LOOSE PC MATERIAL NUMBER	ENGINEERING PART NO.	TAPE MNTD MATERIAL NUMBER	ENGINEERING PART NO.	AWG WIRE RANGE "I.D."	OVERALL LENGTH "L" MAX	PIN LENGTH "P" MIN	PIN DIAMETER "D" ±.01/0.3	MWID	INSULATION COLOR	LENGTH INSULATION "I" MAX
192130009	WP-82 I8	192130010	WP-82 I8 T	22-18	.91/23.1	.35/8.9	.078/1.98	.140/3.56	RED	.42/10.7
192130011	WP-86 I4	192130012	WP-86 I4 T	16-14	.92/23.4	.35/8.9	.078/1.98	.170/4.32	BLUE	.42/10.7
192130007	WP-82 I0	192130008	WP-82 I0 T	12-10	1.13/28.7	.41/10.4	.107/2.72	.225/5.72	YELLOW	.57/14.5

(A)

(A) (A) (A)



NOTES:

- 1. TERMINAL MATERIAL: COPPER
- 2. TERMINAL PLATING: TIN
- 3. INSULATION MAT'L: EXTRUDED NYLON
- 4. FUNNEL ENTRY FERRULE: TIN PLATED COPPER ALLOY
- 5. MWID=MAXIMUM WIRE INSULATION DIAMETER
- 6. PARTS ARE ROHS COMPLIANT

<b>REDRAW, REV TOLS</b> EC NO: WNA2009-0437 DRW: HETHRODAHL 2010/03/01 CHKD: JMACNEIL 1992/10/08 APPR: JMACNEIL 2010/03/18	DESCRIPTION REV A	QUALITY SYMBOLS ▽=0 ▽7=0	GENERAL TOLERANCES (UNLESS SPECIFIED)		DIMENSION STYLE IN/MM	SCALE ---	DESIGN UNITS INCH	THIRD ANGLE PROJECTION
		4 PLACES ± --- ± --- 3 PLACES ± --- ± --- 2 PLACES ± --- ± --- 1 PLACE ± --- ± ---	mm INCH	DRAWN BY DATE EMF 1992/10/08	TITLE AVKRIMP WIRE PIN TERMINALS, 800 SERIES			
		ANGULAR ± ---°		CHECKED BY DATE JM 1992/10/08	MOLEX INCORPORATED			
		DRAFT WHERE APPLICABLE MUST REMAIN WITHIN DIMENSIONS		APPROVED BY DATE JMACNEIL 2010/03/18	MATERIAL NO. SEE CHART	DOCUMENT NO. SD-19213-002	SHEET NO. 1 OF 1	

THIS DRAWING CONTAINS INFORMATION THAT IS PROPRIETARY TO MOLEX INCORPORATED AND SHOULD NOT BE USED WITHOUT WRITTEN PERMISSION