

## PQ070XH02ZxH

Low Voltage Operation  
Low Power-Loss Voltage Regulator

### Features

1. Low voltage operation  
(Minimum operating voltage: 2.35V)
2. Output current : 2A
3. Low dissipation current  
(Dissipation current at no load: MAX. 2mA  
Output OFF-state dissipation current: MAX.5μA)
4. Low power-loss ( $V_{i-o}$  0.5V MAX at  $I_o=2A$ )
5. Built-in overcurrent and overheat protection functions
6. TO-263 package
7. RoHS directive compliant

### Applications

1. Peripheral equipment of personal computers
2. Power supplies for various electronic equipment such as DVD player or STB

### Model Line-up

Output current ( $I_o$ )	Package type	Variable output
2A	Taping	<b>PQ070XH02ZPH</b>
	Sleeve	<b>PQ070XH02ZZH</b>

### Absolute Maximum Ratings

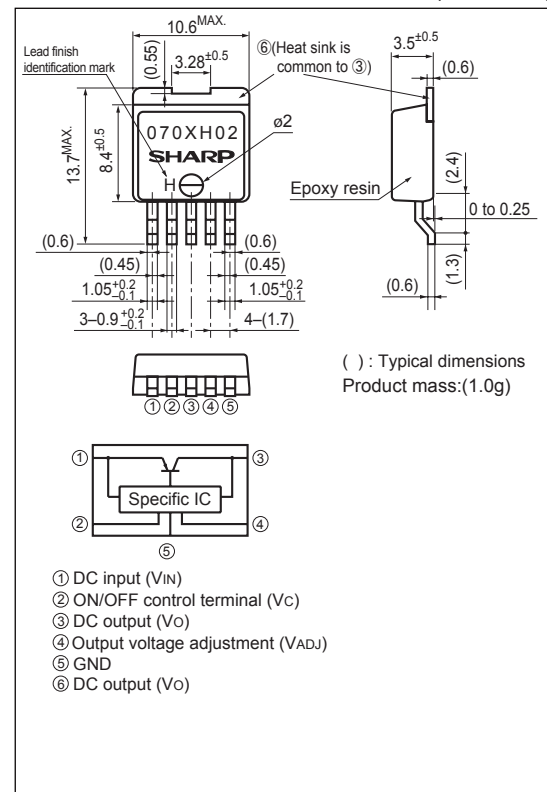
( $T_a=25^\circ\text{C}$ )

Parameter	Symbol	Rating	Unit
*1 Input voltage	$V_{IN}$	10	V
*1 ON/OFF control terminal voltage	$V_C$	10	V
*1 Output adjustment terminal voltage	$V_{ADJ}$	5	V
Output current	$I_o$	2	A
*2 Power dissipation	$P_D$	35	W
*3 Junction temperature	$T_j$	150	$^\circ\text{C}$
Operating temperature	$T_{opr}$	-40 to +85	$^\circ\text{C}$
Storage temperature	$T_{stg}$	-40 to +150	$^\circ\text{C}$
Soldering temperature	$T_{sol}$	260(10s)	$^\circ\text{C}$

- \*1 All are open except GND and applicable terminals.  
 \*2  $P_D$ : With infinite heat sink  
 \*3 Overheat protection may operate at  $T_j$ : 125 $^\circ\text{C}$  to 150 $^\circ\text{C}$

### Outline Dimensions

(Unit : mm)



Lead finish: Lead-free solder plating  
(Composition: Sn2Cu)

Notice The content of data sheet is subject to change without prior notice.

In the absence of confirmation by device specification sheets, SHARP takes no responsibility for any defects that may occur in equipment using any SHARP devices shown in catalogs, data books, etc. Contact SHARP in order to obtain the latest device specification sheets before using any SHARP device.

## Electrical Characteristics

(Unless otherwise specified, condition shall be  $V_{IN}=5V, V_O=3V (R_1=1k\Omega), I_O=1A, T_a=25^\circ C$ )

Parameter	Symbol	Conditions	MIN.	TYP.	MAX.	Unit
Input voltage	$V_{IN}$	-	2.35	-	10	V
Output voltage	$V_O$	-	1.5	-	7	V
Reference voltage	$V_{ref}$	-	1.225	1.250	1.275	V
Load regulation	$Reg_L$	$I_O=5mA$ to 2A	-	0.2	2.0	%
Line regulation	$Reg_L$	$V_{IN}=4$ to 8V, $I_O=5mA$	-	0.2	1.0	%
Temperature coefficient of reference voltage	$T_C V_{ref}$	$T_j=0$ to $+125^\circ C$ , $I_O=5mA$	-	$\pm 1.0$	-	%
Ripple rejection	RR	Refer to Fig.2	45	60	-	dB
Dropout voltage	$V_{I-O}$	$V_{IN}=2.85V$ , $I_O=2A$	-	-	0.5	V
ON-state voltage for control	$V_{C(ON)}$	-	2.0	-	-	V
ON-state current for control	$I_{C(ON)}$	-	-	-	200	$\mu A$
OFF-state voltage for control	$V_{C(OFF)}$	$I_O=0A$	-	-	0.8	V
OFF-state current for control	$I_{C(OFF)}$	$I_O=0A, V_C=0.4V$	-	-	2	$\mu A$
Quiescent current	$I_q$	$I_O=0A$	-	1	2	mA
Output OFF-state consumption current	$I_{qs}$	$I_O=0A, V_C=0.4V$	-	-	5	$\mu A$

\*4 In case of opening control terminal ②, output voltage turns off

Fig.1 Test Circuit

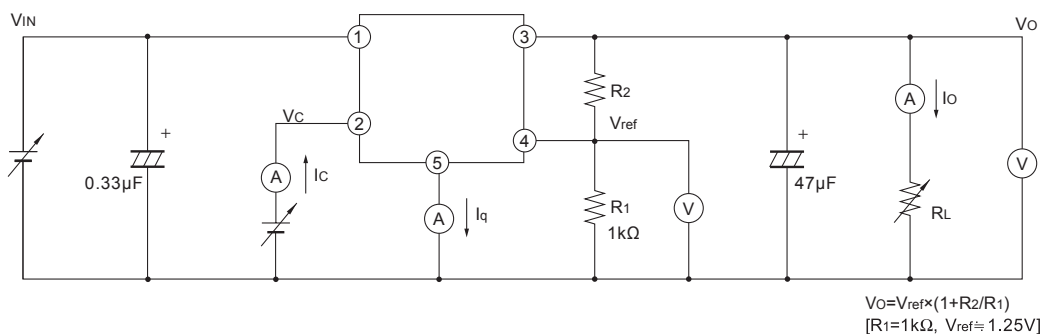


Fig.2 Test Circuit for Ripple Rejection

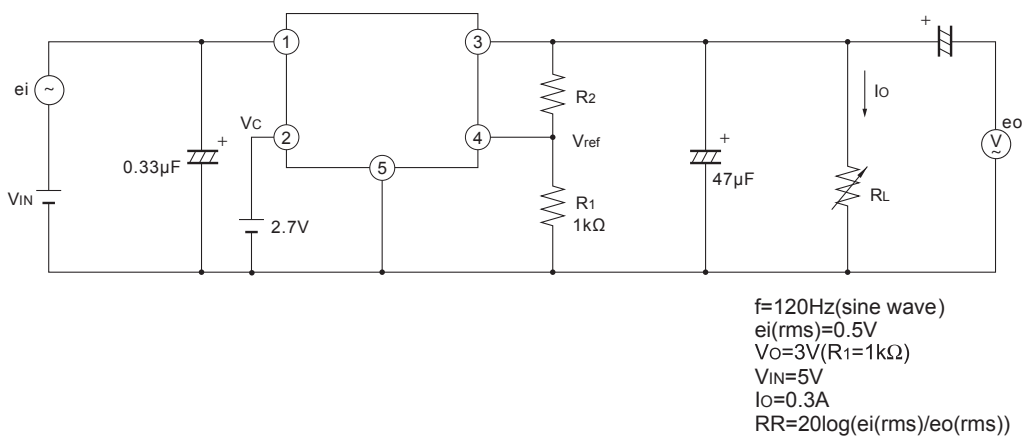
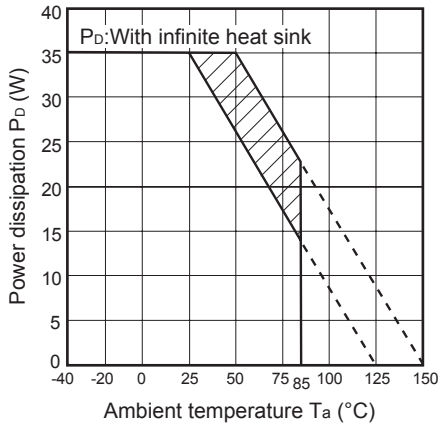


Fig.3 Power Dissipation vs. Ambient Temperature



Note) Oblique line portion: Overheat protection may operate in this area.

Fig.4 Overcurrent Protection Characteristics

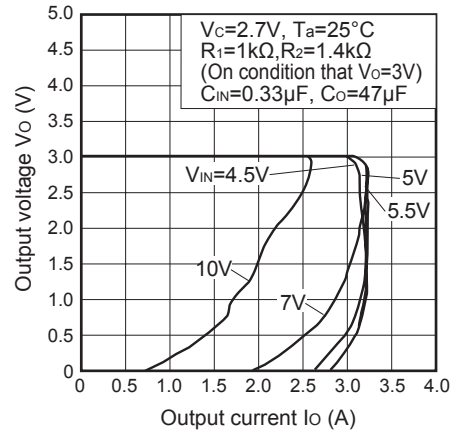


Fig.5 Output Voltage Deviation vs. Junction Temperature

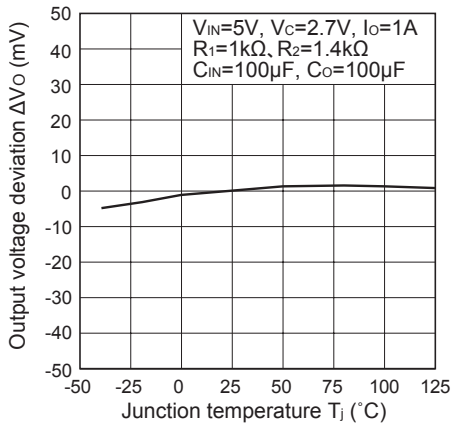


Fig.6 Output Voltage vs. Input Voltage

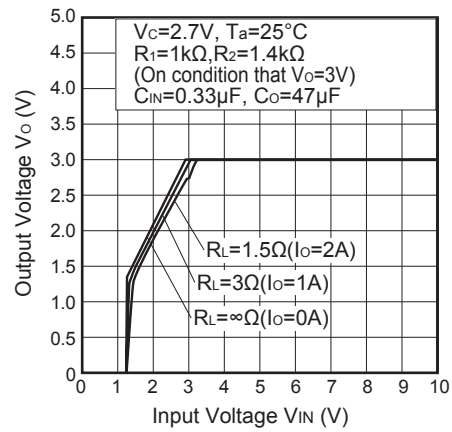


Fig.7 Circuit Operating Current vs. Input Voltage

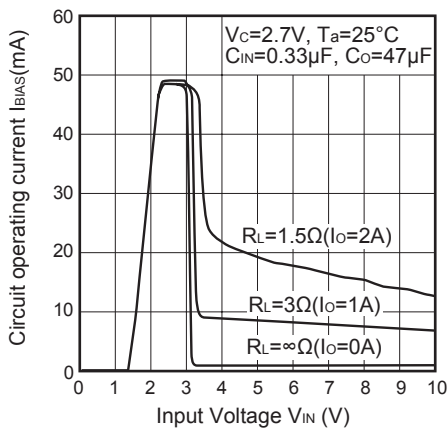


Fig.8 Dropout Voltage vs. Junction Temperature

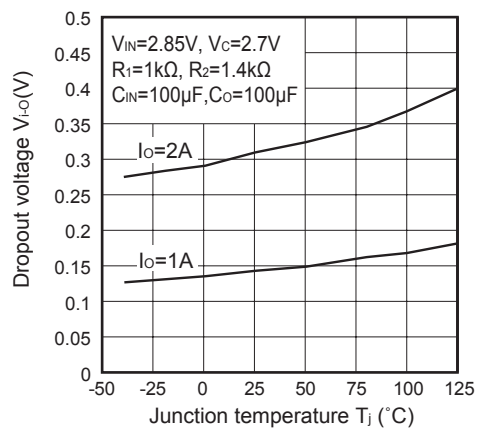


Fig.9 ON-OFF Control Voltage vs. Junction Temperature

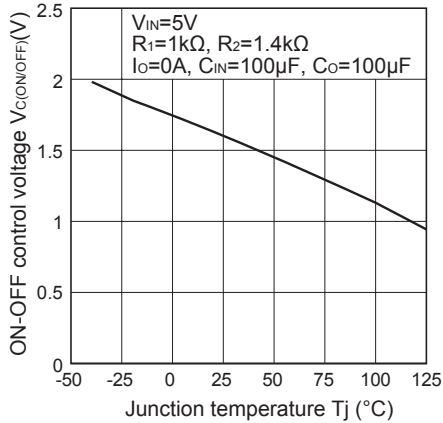


Fig.10 Quiescent Current vs. Junction Temperature

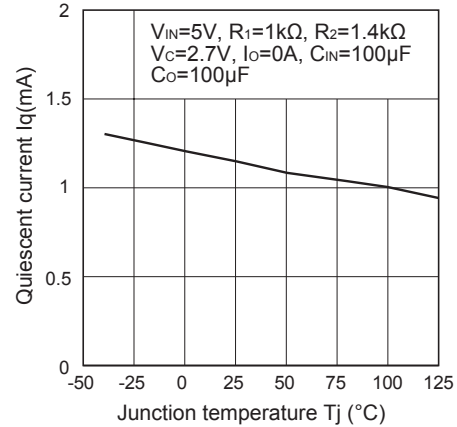


Fig.11 Ripple Rejection vs. Input Ripple Frequency

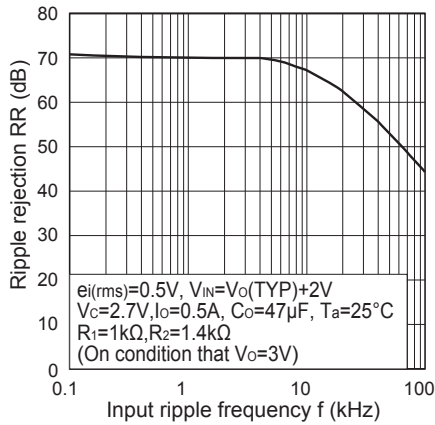


Fig.12 Ripple Rejection vs. Output Current

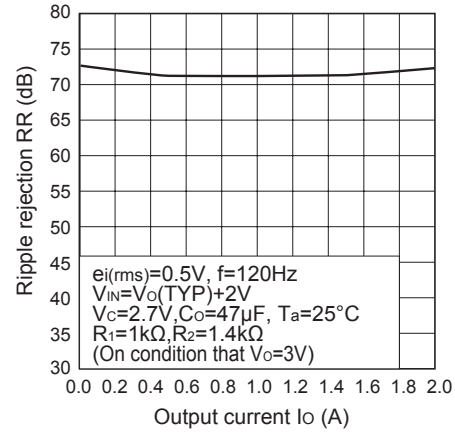
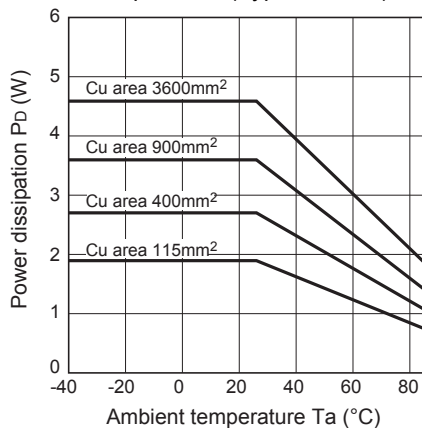
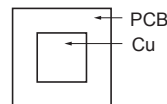


Fig.13 Power Dissipation vs. Ambient Temperature (Typical Value)

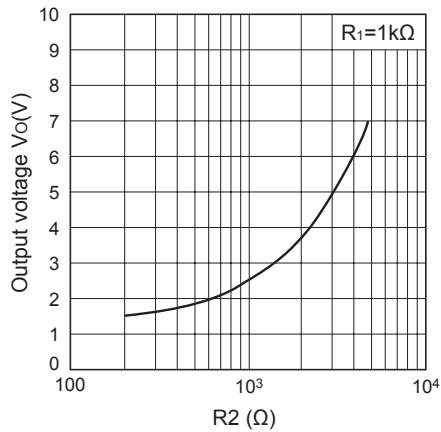


Mounting PCB

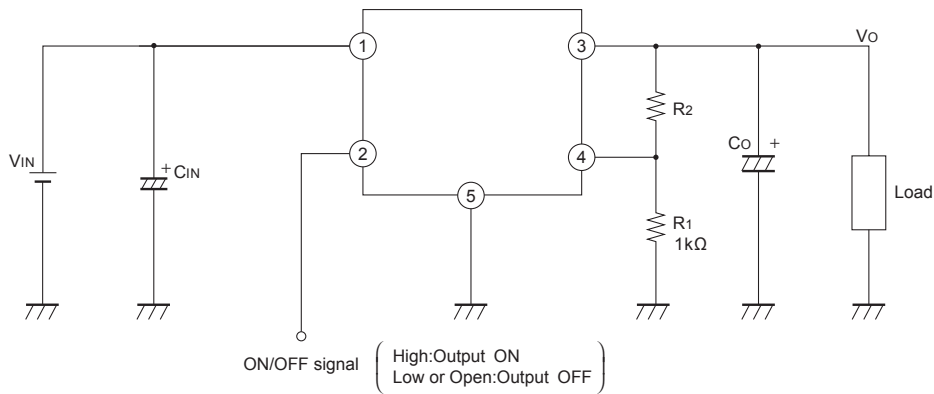


Material : Glass-cloth epoxy resin  
 Size : 60×60×1.6mm  
 Cu thickness : 65μm

Fig.14 Output Voltage Adjustment Characteristics (Typical value)



■ Typical Application



■ Setting of Output Voltage

Output voltage is able to set from 1.5V to 7V when resistors R1 and R2 are attached to ,③、④、⑤ terminals. As for the external resistors to set output voltage, refer to the figure below and Fig.14.

