

# High Efficiency Regulator Controller

## FEATURES

- Complete Control for a High Current, Low Dropout, Linear Regulator
- Fixed 5V or Adjustable Output Voltage
- Accurate 2.5A Current Limiting with Foldback
- Internal Current Sense Resistor
- Remote Sense for Improved Load Regulation
- External Shutdown
- Under-Voltage Lockout and Reverse Voltage Protection
- Thermal Shutdown Protection
- 8 Pin Mini-Dip Package (Surface Mount also Available)

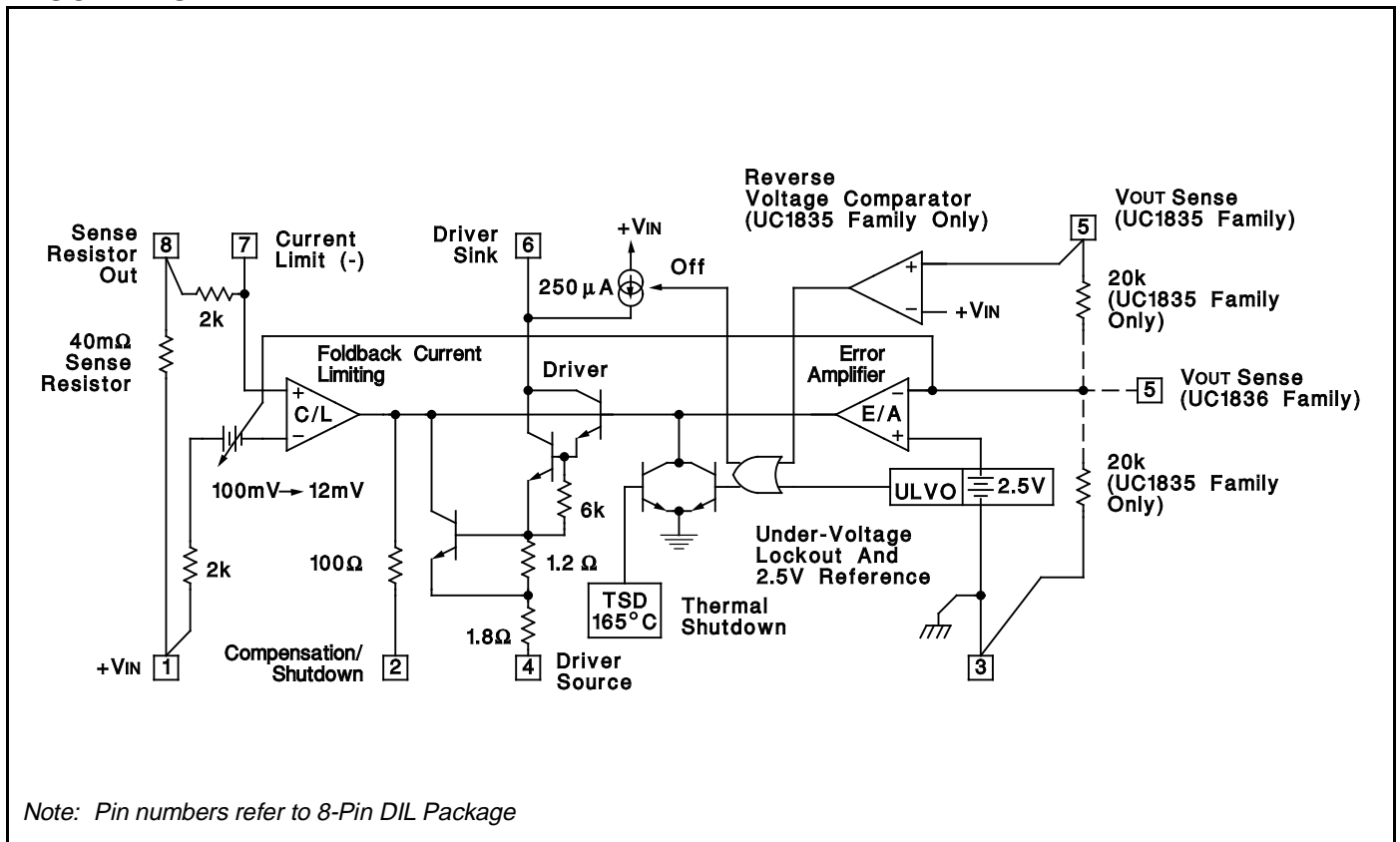
## DESCRIPTION

The UC1835/6 families of linear controllers are optimized for the design of low cost, low dropout, linear regulators. Using an external pass element, dropout voltages of less than 0.5V are readily obtained. These devices contain a high gain error amplifier, a 250mA output driver, and a precision reference. In addition, current sense with foldback provides for a 2.5A peak output current dropping to less than 0.5A at short circuit.

These devices are available in fixed, 5V, (UC1835), or adjustable, (UC1836), versions. In the fixed 5 volt version, the only external parts required are an external pass element, an output capacitor, and a compensation capacitor. On the adjustable version the output voltage can be set anywhere from 2.5V to 35V with two external resistors.

Additional features of these devices include under-voltage lockout for predictable start-up, thermal shutdown and short circuit current limiting to protect the driver device. On the fixed voltage version, a reverse voltage comparator minimizes reverse load current in the event of a negative input to output differential.

## BLOCK DIAGRAM



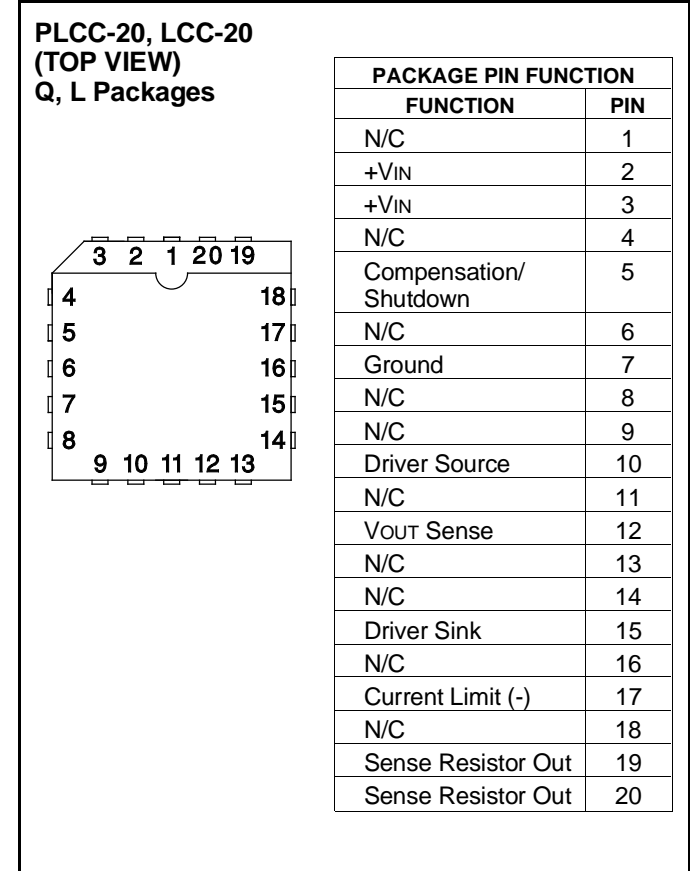
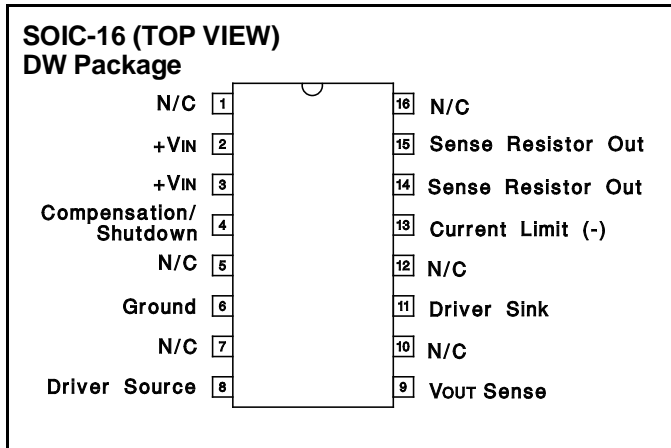
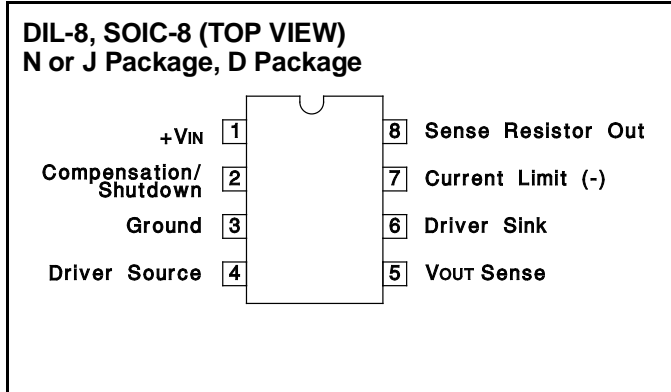
**ABSOLUTE MAXIMUM RATINGS (Note 1)**

Input Supply Voltage (+VIN) . . . . . -1.0V to +40V  
 Driver Output Current (Sink or Source) . . . . . 600mA  
 Driver Source to Sink Voltage . . . . . +40V  
 Maximum Current Through Sense Resistor. . . . . 4A  
 VOUT Sense Input Voltage . . . . . -3V to +40V  
 Power Dissipation at TA = 25°C (Note 2) . . . . . 1000mW  
 Power Dissipation at Tc = 25°C (Note 2) . . . . . 2000mW

Operating Junction Temperature . . . . . -55°C to +150°C  
 Storage Temperature . . . . . -65°C to +150°C  
 Lead Temperature (Soldering, 10 Seconds) . . . . . 300°C

*Note 1: Voltages are referenced to ground, (Pin 3). Currents are positive into, negative out of, the specified terminals.  
 Consult Packaging Section of Databook for thermal considerations and limitations of packages.*

**CONNECTION DIAGRAMS**



**ELECTRICAL CHARACTERISTICS:** Unless otherwise stated, specifications hold for TA = 0°C to +70°C for the UC3835/6, -25°C to +85°C for the UC2835/6, and -55°C to +125°C for the UC1835/6, +VIN = 6V, Driver Source= 0V, Driver Sink = 5V, TA = TJ.

PARAMETER	TEST CONDITIONS	MIN.	TYP.	MAX.	UNITS
<b>Input Supply</b>					
Supply Current	+VIN = 6V		2.75	4.0	mA
	+VIN = 40V		3.75	6.0	mA
UVLO Threshold	+VIN Low to High, VOUT Sense = 0V	3.9	4.4	4.9	V
Threshold Hysteresis			0.1	0.35	V
Reverse Current	+VIN = -1.0V, Driver Sink Open		6.0	20	mA
<b>Regulating Voltage and Error Amplifier (UC1835 Family Only)</b>					
Regulating Level at VOUT Sense (VREG)	Driver Current = 10mA, TJ = 25°C	4.94	5.0	5.06	V
	Over Temperature	4.9		5.1	V
Line Regulation	+VIN = 5.2V + 35V		15	40	mV
Load Regulation	Driver Current = 0 to 250mA		6.0	25	mV
Bias Current at VOUT Sense	VOUT Sense = 5.0V	75	125	210	µA
Error Amp Transconductance	±100µA at Compensation/Shutdown Pin	0.8	1.3	2.0	mS
Maximum Compensation Output Current	Sink or Source, Driver Source Open	90	200	260	µA

**ELECTRICAL CHARACTERISTICS:** Unless otherwise stated, specifications hold for  $T_A = 0^\circ\text{C}$  to  $+70^\circ\text{C}$  for the UC3835/6,  $-25^\circ\text{C}$  to  $+85^\circ\text{C}$  for the UC2835/6, and  $-55^\circ\text{C}$  to  $+125^\circ\text{C}$  for the UC1835/6,  $+V_{IN} = 6\text{V}$ , Driver Source =  $0\text{V}$ , Driver Sink =  $5\text{V}$ ,  $T_A = T_J$ .

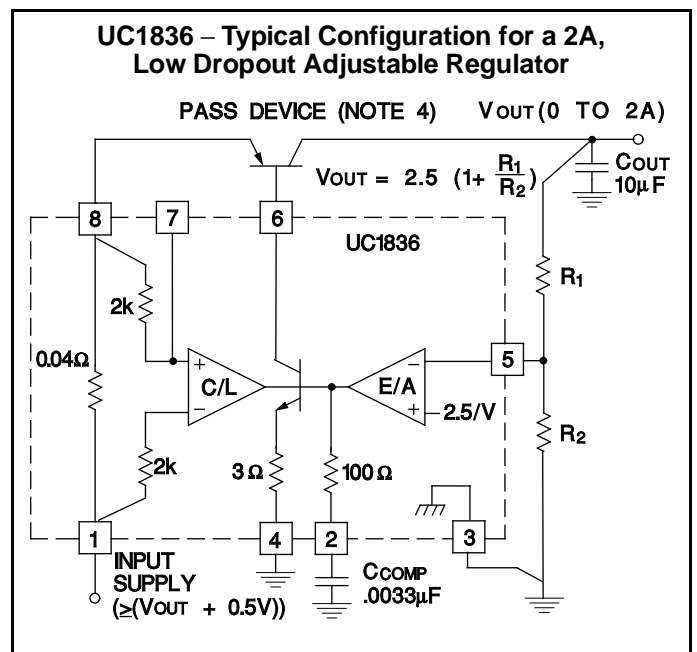
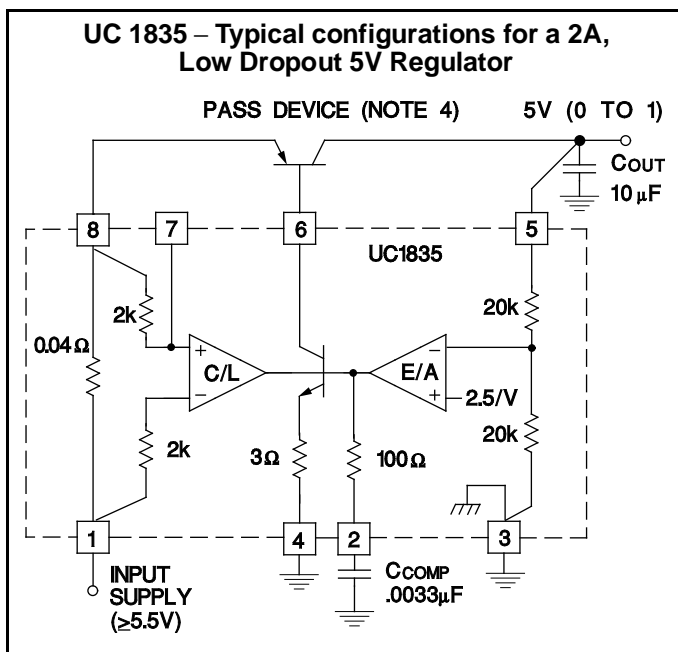
PARAMETER	TEST CONDITIONS	MIN.	TYP.	MAX.	UNITS
<b>Regulating Voltage and Error Amplifier (UC1836 Family Only)</b>					
Regulating Level at $V_{OUT}$ Sense ( $V_{REG}$ )	Driver Current = $10\text{mA}$ , $T_J = 25^\circ\text{C}$	2.47	2.5	2.53	V
	Over Temperature	2.45		2.55	V
Line Regulation	$+V_{IN} = 5.2\text{V}$ to $35\text{V}$		6.0	20	mV
Load Regulation	Driver Current = $0$ to $250\text{mA}$		3.0	15	mV
Bias Current at $V_{OUT}$ Sense	$V_{OUT}$ Sense = $2.5\text{V}$	-1.0	-0.2		$\mu\text{A}$
Error Amp Transconductance	$\pm 100\mu\text{A}$ at Compensation/Shutdown Pin	0.8	1.3	2.0	mS
Maximum Compensation Output Current	Sink or Source, Driver Source Open	90	200	260	$\mu\text{A}$
<b>Driver</b>					
Maximum Current		250	500		mA
Saturation Voltage	Driver Current = $250\text{mA}$ , Driver Sink		2.0	2.8	V
Pull-Up Current at Driver Sink	Compensation/Shutdown = $0.45\text{V}$	140	250	300	$\mu\text{A}$
Driver Sink Leakage	In UVLO			10	$\mu\text{A}$
	In Reverse Voltage (UC1835 Family Only)			10	$\mu\text{A}$
Thermal Shutdown			165		$^\circ\text{C}$
<b>Foldback Current Limit</b>					
Current Limit Levels at Sense Resistor Out	$V_{OUT}$ Sense = $(0.99) V_{REG}$	2.2	2.5	2.8	A
	$V_{OUT}$ Sense = $(0.5) V_{REG}$	1.3	1.5	1.7	A
	$V_{OUT}$ Sense = $0\text{V}$	0.25	0.4	0.55	A
Current Limit Amp Transconductance	$\pm 100\mu\text{A}$ at Compensation/Shutdown, $V_{OUT}$ Sense = $(0.9) V_{REG}$	12	24	42	mS
Limiting Voltage at Current Limit (-) (Note 2)	$V_{OUT}$ Sense = $(0.9) V_{REG}$ Volts Below $+V_{IN}$ , $T_J = 25^\circ\text{C}$	80	100	140	mV
Sense Resistor Value (Note 3)	$V_{OUT}$ Sense = $(0.9) V_{REG}$ , $I_{OUT} = I_A$ , $T_J = 25^\circ\text{C}$		40		$\text{m}\Omega$

Note 2: This voltage has a positive temperature coefficient of approximately  $3500\text{ppm}/^\circ\text{C}$ .

Note 3: This resistance has a positive temperature coefficient of approximately  $3500\text{ppm}/^\circ\text{C}$ .

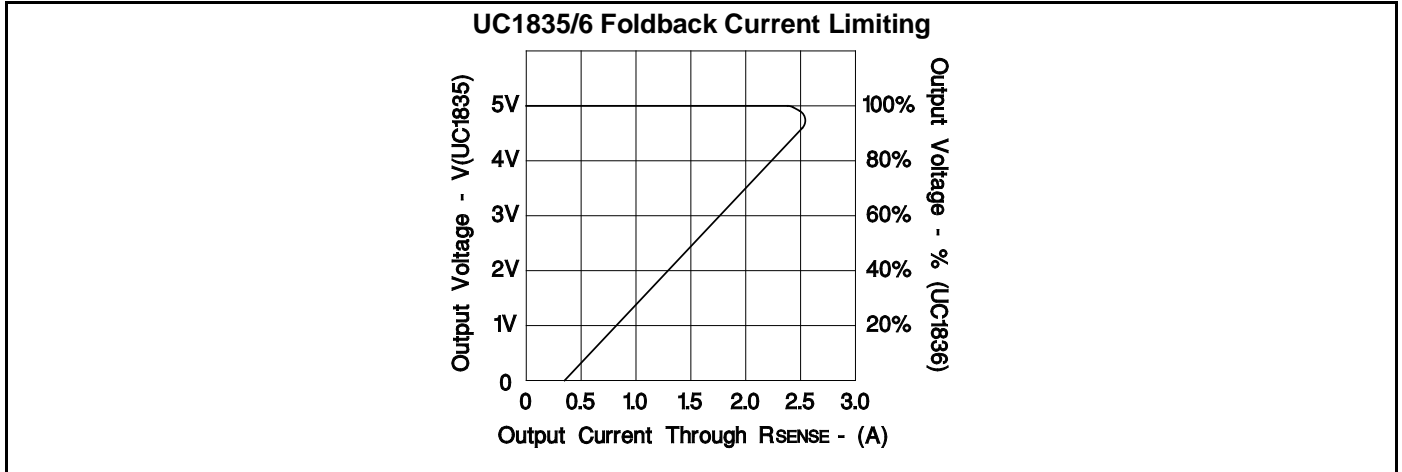
The total resistance from Pin 1 to Pin 8 will include an additional  $60$  to  $100\text{m}\Omega$  of package resistance.

## APPLICATION AND OPERATION INFORMATION



Note 4: Suggested Pass devices are TIP 32B. (Dropout Voltage  $\leq 0.75\text{V}$ ) or, D45H, (Dropout Voltage  $\leq 0.5\text{V}$ ), or equivalents.

APPLICATION AND OPERATION INFORMATION (cont.)



**UC3835/36 TYPICAL APPLICATIONS**

**Low Current Application**  
using the UC3836 internal drive transistor

**Typical Output Current vs VIN and VOUT**  
of the UC3836 internal drive transistor  
for PDISS = 0.5W (approx.)

		VIN					
		Volts	5	9	12	15	18
VOUT	2	150	60	40	30	20	12
	5		105	55	35	25	15
	9			130	60	35	20
	12				120	55	25
	15					110	30
		Current in mA					

**High Current Application**  
using drive transistor Q2 to increase Q1 base drive  
and reduce UC3836 power dissipation

**Parallel Pass Transistors**  
can be added for high current or  
high power dissipation applications

**EQUATIONS:**

$R1 = 0.100 V/I_{OUT} (MAX)$

$R2 = (V_{OUT} - 2.5V/1mA)$

$R3 = ((V_{IN} - V_{BE} - V_{SAT}) * BETA(min)) / I_{OUT} (max)$

## **IMPORTANT NOTICE**

Texas Instruments and its subsidiaries (TI) reserve the right to make changes to their products or to discontinue any product or service without notice, and advise customers to obtain the latest version of relevant information to verify, before placing orders, that information being relied on is current and complete. All products are sold subject to the terms and conditions of sale supplied at the time of order acknowledgement, including those pertaining to warranty, patent infringement, and limitation of liability.

TI warrants performance of its semiconductor products to the specifications applicable at the time of sale in accordance with TI's standard warranty. Testing and other quality control techniques are utilized to the extent TI deems necessary to support this warranty. Specific testing of all parameters of each device is not necessarily performed, except those mandated by government requirements.

**CERTAIN APPLICATIONS USING SEMICONDUCTOR PRODUCTS MAY INVOLVE POTENTIAL RISKS OF DEATH, PERSONAL INJURY, OR SEVERE PROPERTY OR ENVIRONMENTAL DAMAGE ("CRITICAL APPLICATIONS"). TI SEMICONDUCTOR PRODUCTS ARE NOT DESIGNED, AUTHORIZED, OR WARRANTED TO BE SUITABLE FOR USE IN LIFE-SUPPORT DEVICES OR SYSTEMS OR OTHER CRITICAL APPLICATIONS. INCLUSION OF TI PRODUCTS IN SUCH APPLICATIONS IS UNDERSTOOD TO BE FULLY AT THE CUSTOMER'S RISK.**

In order to minimize risks associated with the customer's applications, adequate design and operating safeguards must be provided by the customer to minimize inherent or procedural hazards.

TI assumes no liability for applications assistance or customer product design. TI does not warrant or represent that any license, either express or implied, is granted under any patent right, copyright, mask work right, or other intellectual property right of TI covering or relating to any combination, machine, or process in which such semiconductor products or services might be or are used. TI's publication of information regarding any third party's products or services does not constitute TI's approval, warranty or endorsement thereof.