

National Semiconductor is now part of
Texas Instruments.

Search <http://www.ti.com/> for the latest technical
information and details on our current products and services.

LM34917A

Ultra Small 33V, 1.25A Constant On-Time Buck Switching Regulator with Intelligent Current Limit

General Description

The LM34917A Step-Down Switching Regulator features all the functions needed to implement a low cost, efficient, buck bias regulator capable of supplying at least 1.25A to the load. To reduce excessive switch current due to the possibility of a saturating inductor the valley current limit threshold changes with input and output voltages, and the on-time is reduced when current limit is detected. This buck regulator contains an N-Channel Buck Switch, and is available in the 12 pin micro SMD package. The constant on-time feedback regulation scheme requires no loop compensation, results in fast load transient response, and simplifies circuit implementation. The operating frequency remains constant with line and load variations due to the inverse relationship between the input voltage and the on-time. The valley current limit results in a smooth transition from constant voltage to constant current mode when current limit is detected, reducing the frequency and output voltage, without the use of foldback. Additional features include: V_{CC} under-voltage lock-out, input over-voltage shutdown, thermal shutdown, gate drive under-voltage lock-out, and maximum duty cycle limit.

Features

- Functional Input Voltage Range: 8V to 33V
- Micro SMD package
- Input Over-Voltage Shutdown at $\approx 35V$

- Transient Capability to 50V
- Integrated N-Channel buck switch
- Valley current limit varies with V_{IN} and V_{OUT} to reduce excessive inductor current
- On-time is reduced when in current limit
- Integrated start-up regulator
- No loop compensation required
- Ultra-Fast transient response
- Maximum switching frequency: 2 MHz
- Operating frequency remains nearly constant with load current and input voltage variations
- Programmable soft-start
- Precision internal reference
- Adjustable output voltage
- Thermal shutdown

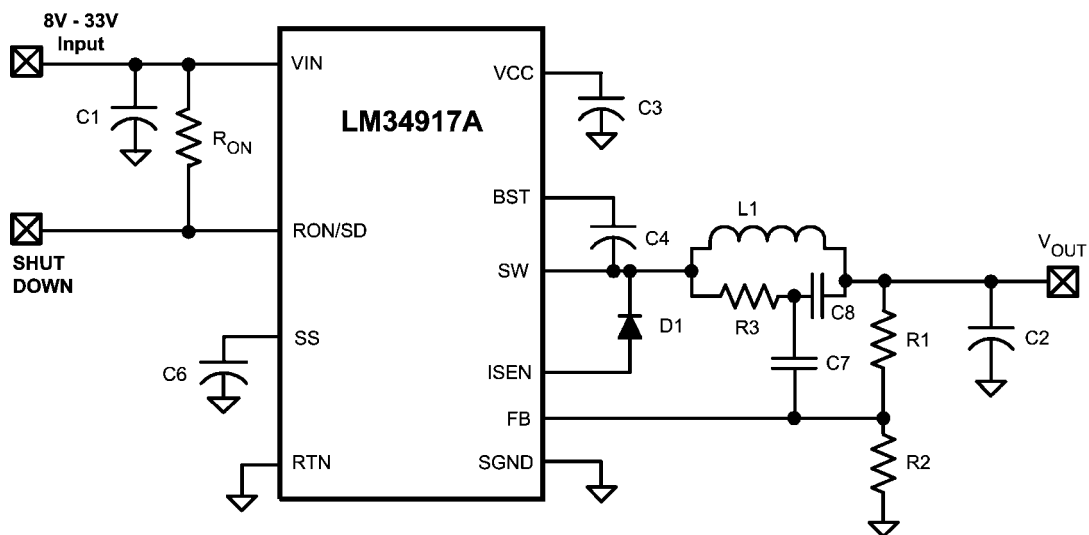
Typical Applications

- High Efficiency Point-Of-Load (POL) Regulator
- Non-Isolated Buck Regulator
- Secondary High Voltage Post Regulator

Package

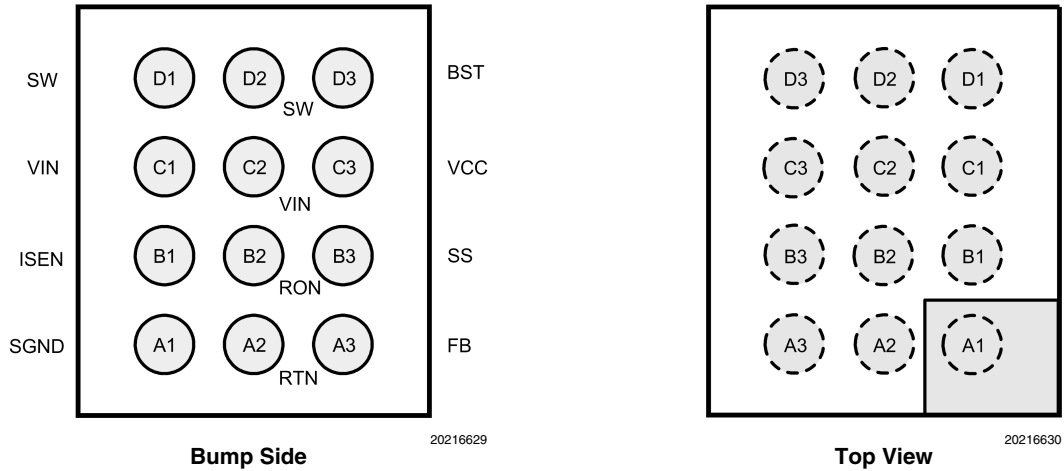
- micro SMD Package

Basic Step Down Regulator



20216601

Connection Diagrams



Ordering Information

Order Number	Package Type	NSC Package Drawing	Junction Temperature Range	Supplied As
LM34917ATL	12-Bump micro SMD	TLA12UNA	-40°C to + 125°C	250 Units Tape and Reel
LM34917ATLX				3k Units Tape and Reel

Pin Descriptions

Pin Number	Name	Description	Application Information
A1	SGND	Sense Ground	Re-circulating current flows into this pin to the current sense resistor.
A2	RTN	Circuit Ground	Ground for all internal circuitry other than the current limit detection.
A3	FB	Feedback input from the regulated output	Internally connected to the regulation and over-voltage comparators. The regulation level is 2.5V.
B1	ISEN	Current sense	The re-circulating current flows out of this pin to the free-wheeling diode.
B2	RON/SD	On-time control and shutdown	An external resistor from VIN to this pin sets the buck switch on-time. Grounding this pin shuts down the regulator.
B3	SS	Softstart	An internal current source charges an external capacitor to 2.5V, providing the softstart function.
C1,C2	VIN	Input supply voltage	Operating input range is 8.0V to 33V, with over-voltage shutdown internally set at $\approx 35V$. Transient capability is 50V.
C3	VCC	Output from the startup regulator	Nominally regulated at 7.0V. Connect a 0.1 μF capacitor from this pin to RTN. An external voltage (8V to 14V) can be applied to this pin to reduce internal dissipation. An internal diode connects VCC to VIN.
D1,D2	SW	Switching Node	Internally connected to the buck switch source. Connect to the inductor, diode, and bootstrap capacitor.
D3	BST	Boost pin for bootstrap capacitor	Connect a 0.022 μF capacitor from SW to this pin. The capacitor is charged each off-time via an internal diode.

Absolute Maximum Ratings (Note 1)

If Military/Aerospace specified devices are required, please contact the National Semiconductor Sales Office/Distributors for availability and specifications.

V _{IN} to RTN	50V
BST to RTN	64V
SW to RTN (Steady State)	-1.5V
BST to V _{CC}	50V
V _{IN} to SW	50V
BST to SW	14V
V _{CC} to RTN	14V
SGND to RTN	-0.3V to +0.3V

Current out of ISEN	See text
SS to RTN	-0.3V to 4V
All Other Inputs to RTN	-0.3 to 7V
ESD Rating (Note 2)	
Human Body Model	2kV
Storage Temperature Range	-65°C to +150°C
Junction Temperature	150°C

Operating Ratings (Note 1)

V _{IN} Voltage	8.0V to 33V
Junction Temperature	-40°C to +125°C

Electrical Characteristics Limits in standard type are for T_J = 25°C only; limits in **boldface** type apply over the junction temperature (T_J) range of -40°C to +125°C. Minimum and Maximum limits are guaranteed through test, design, or statistical correlation. Typical values represent the most likely parametric norm at T_J = 25°C, and are provided for reference purposes only. Unless otherwise stated the following conditions apply: V_{IN} = 12V, R_{ON} = 200kΩ. See (Note 4) and (Note 5).

Symbol	Parameter	Conditions	Min	Typ	Max	Units
Start-Up Regulator, V_{CC}						
V _{CC} Reg	V _{CC} regulated output	V _{IN} > 9V	6.6	7.0	7.4	V
	V _{IN} -V _{CC} dropout voltage	I _{CC} = 0 mA, V _{CC} = UVLO _{VCC} + 250 mV		1.3		V
	V _{CC} output impedance (0 mA ≤ I _{CC} ≤ 5 mA)	V _{IN} = 8V		150		Ω
		V _{IN} = 12V		0.75		
	V _{CC} current limit (Note 3)	V _{CC} = 0V		11		mA
UVLO _{VCC}	V _{CC} under-voltage lockout threshold	V _{CC} increasing		5.45		V
	UVLO _{VCC} hysteresis	V _{CC} decreasing		145		mV
	UVLO _{VCC} filter delay	100 mV overdrive		3		μs
	I _{IN} operating current	Non-switching, FB = 3V		0.68	0.95	mA
	I _{IN} shutdown current	RON/SD = 0V		85	160	μA
Switch Characteristics						
R _{ds(on)}	Buck Switch R _{ds(on)}	I _{TEST} = 200 mA		0.33	0.7	Ω
UVLO _{GD}	Gate Drive UVLO	V _{BST} - V _{SW} Increasing	2.65	4	4.62	V
	UVLO _{GD} hysteresis			450		mV
Softstart Pin						
V _{SS}	Pull-up voltage			2.5		V
I _{SS}	Internal current source			11.6		μA
V _{RES}	Restart threshold after OVP shutdown			0.18		V
Current Limit						
I _{LIM}	Threshold	V _{IN} = 8V, V _{FB} = 2.4V	1.15	1.35	1.55	A
		V _{IN} = 30V, V _{FB} = 2.4V	1.05	1.2	1.45	
		V _{IN} = 30V, V _{FB} = 1.0V	0.95	1.15	1.35	
	Response time			150		ns

Symbol	Parameter	Conditions	Min	Typ	Max	Units
On Timer						
t_{ON-1}	On-time (normal operation)	$V_{IN} = 10V, R_{ON} = 200\text{ k}\Omega$	2.1	2.8	3.5	μs
t_{ON-2}	On-time (normal operation)	$V_{IN} = 32V, R_{ON} = 200\text{ k}\Omega$		860		ns
t_{ON-3}	On-time (current limit)	$V_{IN} = 10V, R_{ON} = 200\text{ k}\Omega$		1.13		μs
	Shutdown threshold at RON/SD	Voltage at RON/SD rising	0.3	0.65	1.0	V
	Shutdown Threshold hysteresis	Voltage at RON/SD falling		40		mV
Off Timer						
t_{OFF}	Minimum Off-time			90		ns
Regulation and Over-Voltage Comparators (FB Pin)						
V_{REF}	FB regulation threshold	SS pin = steady state	2.445	2.50	2.550	V
	FB over-voltage threshold			2.9		V
	FB bias current	FB = 3V		10		nA
Input Over-Voltage Shutdown						
$V_{IN(OV)}$	Shutdown voltage threshold at VIN	V_{IN} increasing	33.0	34.8	36.9	V
Thermal Shutdown						
T_{SD}	Thermal shutdown temperature	Junction temperature rising		175		$^{\circ}\text{C}$
	Thermal shutdown hysteresis			20		$^{\circ}\text{C}$
Thermal Resistance						
θ_{JA}	Junction to Ambient 0 LFPM Air Flow			58		$^{\circ}\text{C}/\text{W}$

Note 1: Absolute Maximum Ratings are limits beyond which damage to the device may occur. Operating Ratings are conditions under which operation of the device is intended to be functional. For guaranteed specifications and test conditions, see the Electrical Characteristics.

Note 2: The human body model is a 100pF capacitor discharged through a 1.5k Ω resistor into each pin.

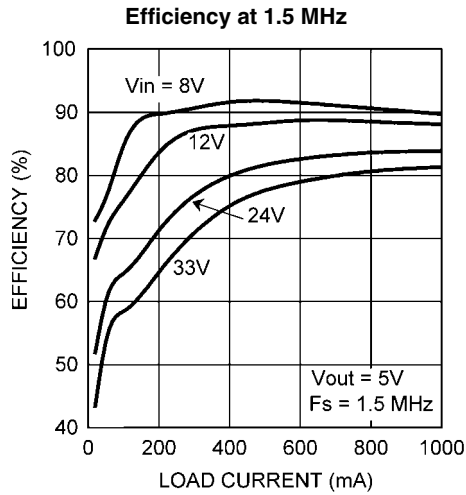
Note 3: V_{CC} provides self bias for the internal gate drive and control circuits. Device thermal limitations limit external loading

Note 4: For detailed information on soldering micro SMD packages, refer to AN-1112 available from National Semiconductor Corporation.

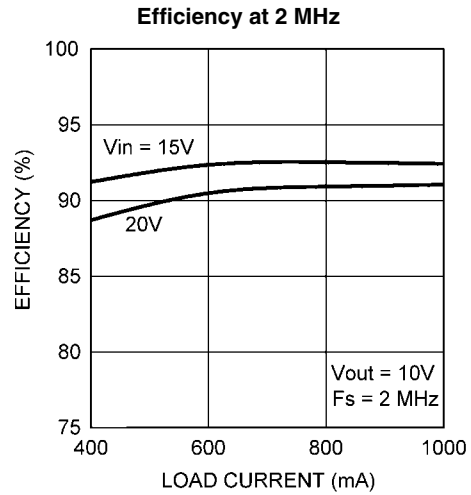
Note 5: Typical specifications represent the most likely parametric norm at 25 $^{\circ}\text{C}$ operation.

Typical Performance Characteristics

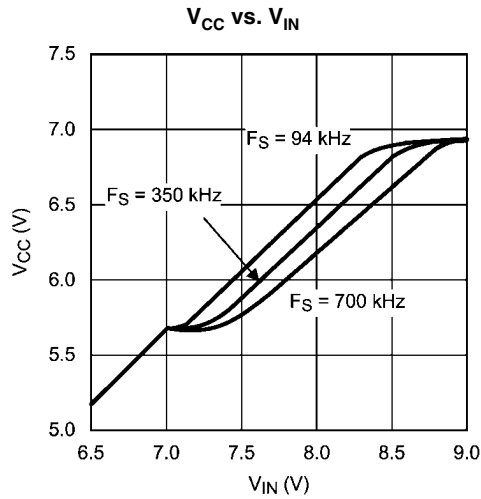
Unless otherwise specified the following conditions apply: $T_J = 25^\circ\text{C}$



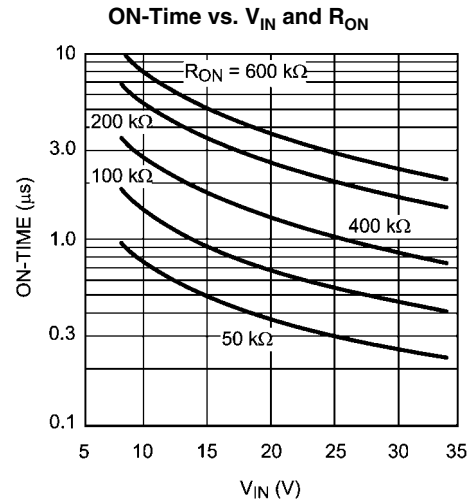
20216645



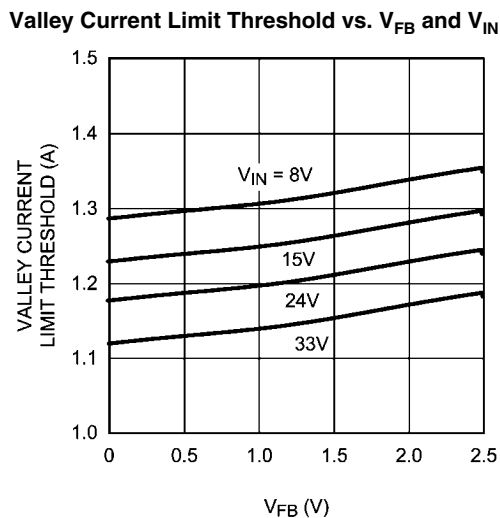
20216646



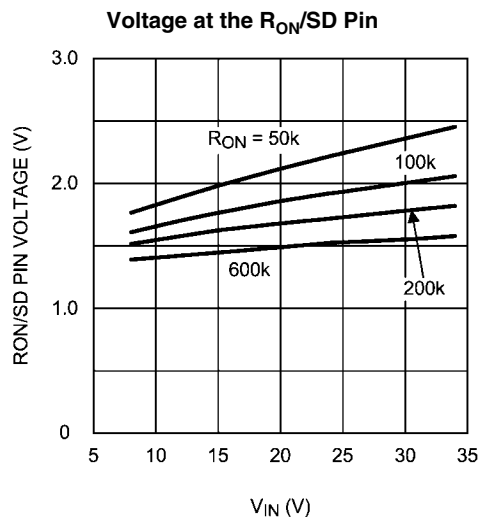
20216603



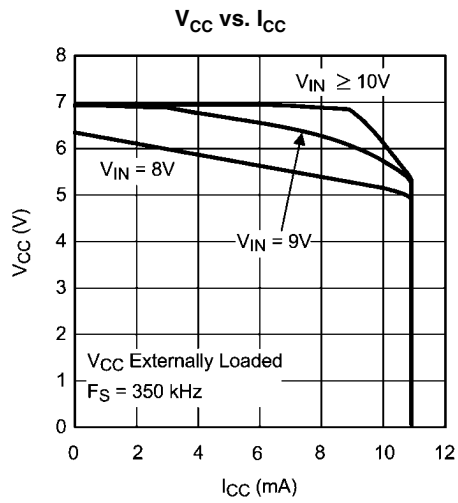
20216604



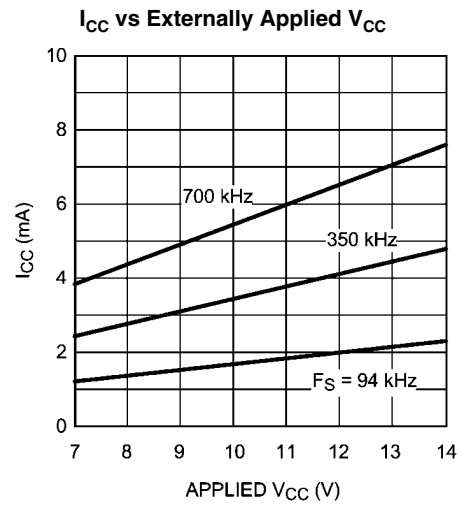
20216606



20216608

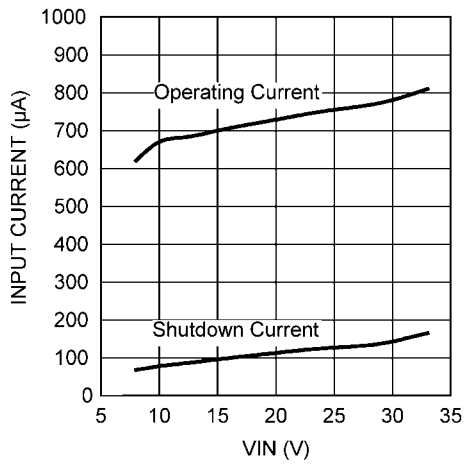


20216607



20216640

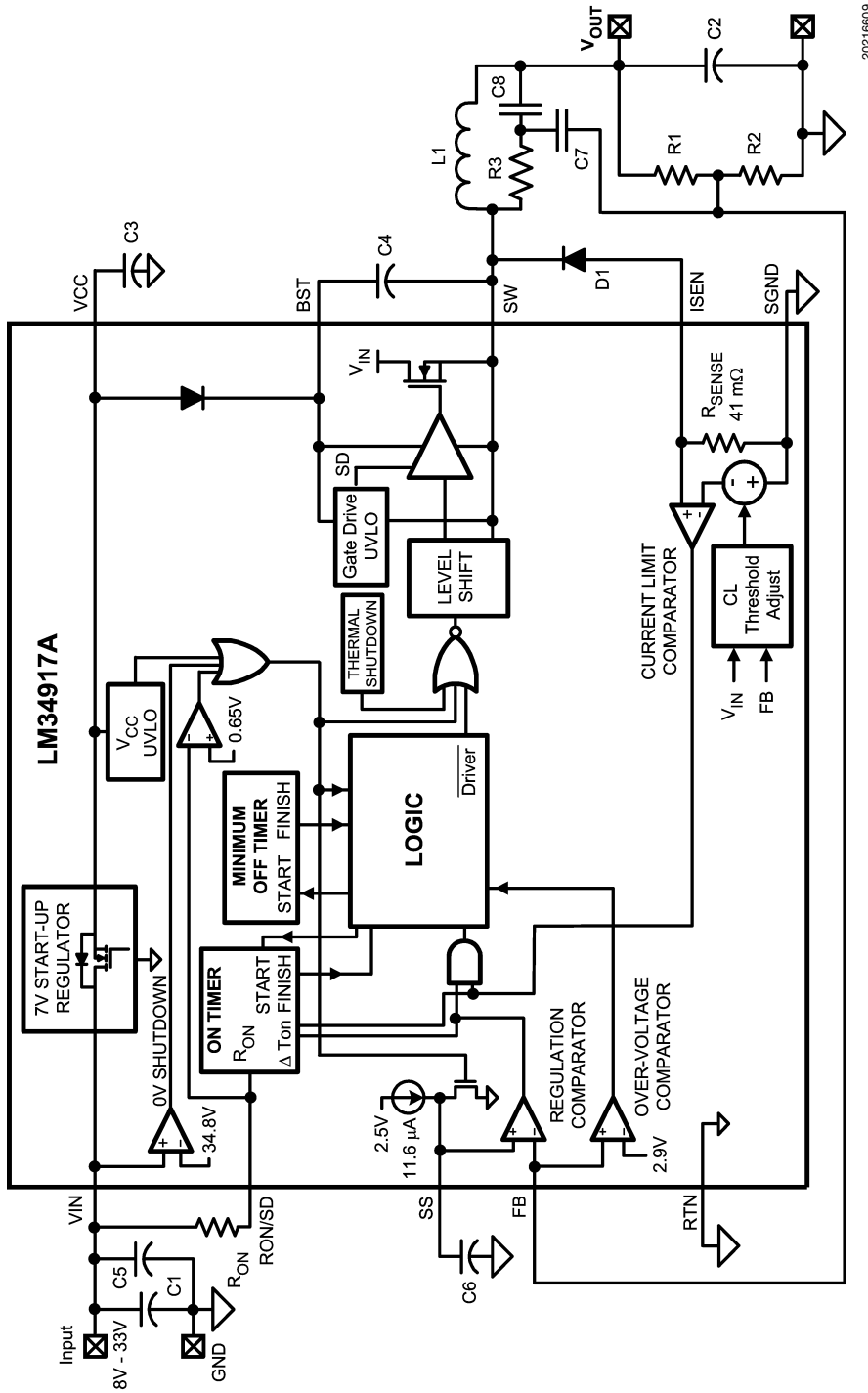
Shutdown and Operating Current Into V_{IN}



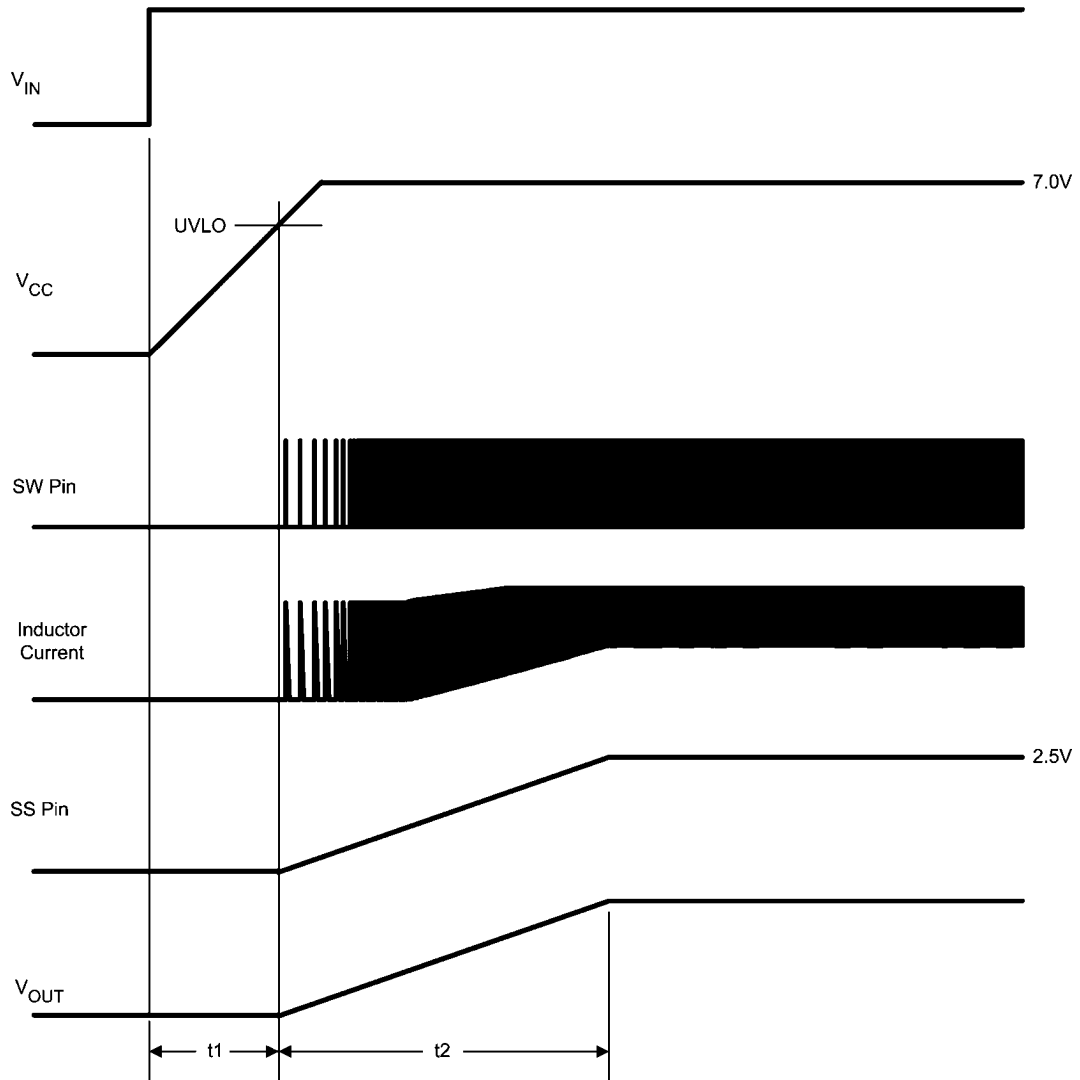
20216644

Typical Application Circuit and Block Diagram

LM34917A



20218609



20216610

FIGURE 1. Startup Sequence

Functional Description

The LM34917A Step Down Switching Regulator features all the functions needed to implement a low cost, efficient buck bias power converter capable of supplying at least 1.25A to the load. This high voltage regulator contains an N-Channel buck switch, is easy to implement, and is available in the micro SMD package. The regulator's operation is based on a constant on-time control scheme where the on-time is inversely proportional to the input voltage. This feature results in the operating frequency remaining relatively constant with load and input voltage variations. The feedback control scheme requires no loop compensation resulting in very fast load transient response. The valley current limit scheme protects against excessively high currents if the output is short circuited when V_{IN} is high. To aid in controlling excessive switch current due to a possible saturating inductor the valley current limit threshold changes with input and output voltages, and the on-time is reduced by approximately 50% when current limit is detected. An over-voltage detection at V_{IN} stops the circuit's switching when the input voltage exceeds 34.8V. The

LM34917A can be applied in numerous applications to efficiently regulate down higher voltages. Additional features include: Thermal shutdown, V_{CC} under-voltage lock-out, gate drive under-voltage lock-out, and maximum duty cycle limit.

Control Circuit Overview

The LM34917A buck DC-DC regulator employs a control scheme based on a comparator and a one-shot on-timer, with the output voltage feedback (FB) compared to an internal reference (2.5V). If the FB voltage is below the reference the buck switch is switched on for a time period determined by the input voltage and a programming resistor (R_{ON}). Following the on-time the switch remains off until the FB voltage falls below the reference, but for a time not less than the minimum off-time forced by the LM34917A. The buck switch is then switched on for another on-time period.

When in regulation, the LM34917A operates in continuous conduction mode at heavy load currents and discontinuous conduction mode at light load currents. In continuous conduction mode the inductor's current is always greater than

zero, and the operating frequency remains relatively constant with load and line variations. The minimum load current for continuous conduction mode is one-half the inductor's ripple current amplitude. The approximate operating frequency is calculated as follows:

$$f_{SW} = \frac{V_{OUT} \times (V_{IN} - 1.35V)}{V_{IN} \times 1.16 \times 10^{-10} \times (R_{ON} + 1.4k)} \quad (1)$$

The buck switch duty cycle is equal to:

$$DC = \frac{t_{ON}}{t_{ON} + t_{OFF}} = t_{ON} \times f_{SW} = \frac{V_{OUT}}{V_{IN}} \quad (2)$$

In discontinuous conduction mode, where the inductor's current reaches zero during the off-time forcing a longer-than-normal off-time, the operating frequency is lower than in continuous conduction mode, and varies with load current. Conversion efficiency is maintained at light loads since the switching losses reduce with the reduction in load and frequency. The approximate discontinuous operating frequency can be calculated as follows:

$$f_{SW} = \frac{V_{OUT}^2 \times L1 \times 1.48 \times 10^{20}}{R_L \times R_{ON}^2} \quad (3)$$

where R_L = the load resistance, and $L1$ is the circuit's inductor. The output voltage is set by the two feedback resistors ($R1$, $R2$ in the Block Diagram). The regulated output voltage is calculated as follows:

$$V_{OUT} = 2.5 \times (R1 + R2) / R2$$

Output voltage regulation is based on supplying ripple voltage to the feedback input (FB pin) in phase with the SW pin. The LM34917A requires a minimum of 25 mVp-p of ripple voltage at the FB pin. The ripple is generated as a triangle waveform at the junction of $R3$ and $C8$ as the SW pin switches high and low, and fed to the FB pin by $C7$.

If the voltage at FB rises above 2.9V, due to a transient at V_{OUT} or excessive inductor current which creates higher than normal ripple at V_{OUT} , the internal over-voltage comparator immediately shuts off the internal buck switch. The next on-time starts when the voltage at FB falls below 2.5V and the inductor current falls below the current limits threshold.

ON-Time Timer

The on-time for the LM34917A is determined by the R_{ON} resistor and the input voltage (V_{IN}), calculated from:

$$t_{ON} = \frac{1.16 \times 10^{-10} \times (R_{ON} + 1.4 k\Omega)}{V_{IN} - 1.35V} + 100 \text{ ns} \quad (4)$$

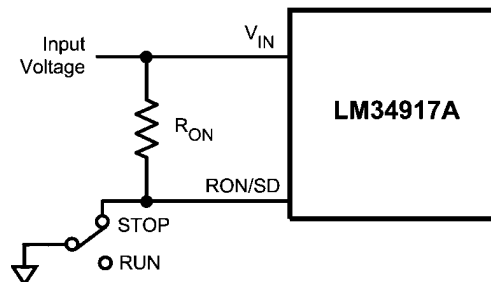
The inverse relationship with V_{IN} results in a nearly constant frequency as V_{IN} is varied. To set a specific continuous conduction mode switching frequency (f_{SW}), the R_{ON} resistor is determined from the following:

$$R_{ON} = \frac{V_{OUT} \times (V_{IN} - 1.35V)}{V_{IN} \times 1.16 \times 10^{-10} \times f_{SW}} - 1.4k\Omega \quad (5)$$

Equations 1, 4 and 5 are valid only during normal operation - i.e., the circuit is not in current limit. When the LM34917A operates in current limit, the on-time is reduced by approximately 50%. This feature reduces the peak inductor current which may be excessively high if the load current and the input voltage are simultaneously high. This feature operates on a cycle-by-cycle basis until the load current is reduced and the output voltage resumes its normal regulated value. Equations 1, 4 and 5 have a $\pm 25\%$ tolerance.

Remote Shutdown

The LM34917A can be remotely shut down by taking the RON/SD pin below 0.65V. See Figure 2. In this mode the SS pin is internally grounded, the on-timer is disabled, and bias currents are reduced. Releasing the RON/SD pin allows the circuit to resume operation after the SS pin voltage is below 0.18V. The voltage at the RON/SD pin is normally between 1.4V and 3.5V, depending on V_{IN} and the R_{ON} resistor.



20216616

FIGURE 2. Remote Shutdown

Input Over-Voltage Shutdown

If the input voltage at V_{IN} increases above 34.8V an internal comparator disables the buck switch and the on-timer, and grounds the soft-start pin. Normal operation resumes when the V_{IN} voltage reduces below 34.8V, and when the soft-start voltage (at the SS pin) has reduced below 0.18V.

Current Limit

Current limit detection occurs during the off-time by monitoring the recirculating current flowing out of the ISEN pin. Referring to the Block Diagram, during the off-time the inductor current flows through the load, into SGND, through the internal sense resistor, out of ISEN and through $D1$ to the inductor. If that current exceeds the current limit threshold the current limit comparator output delays the start of the next on-

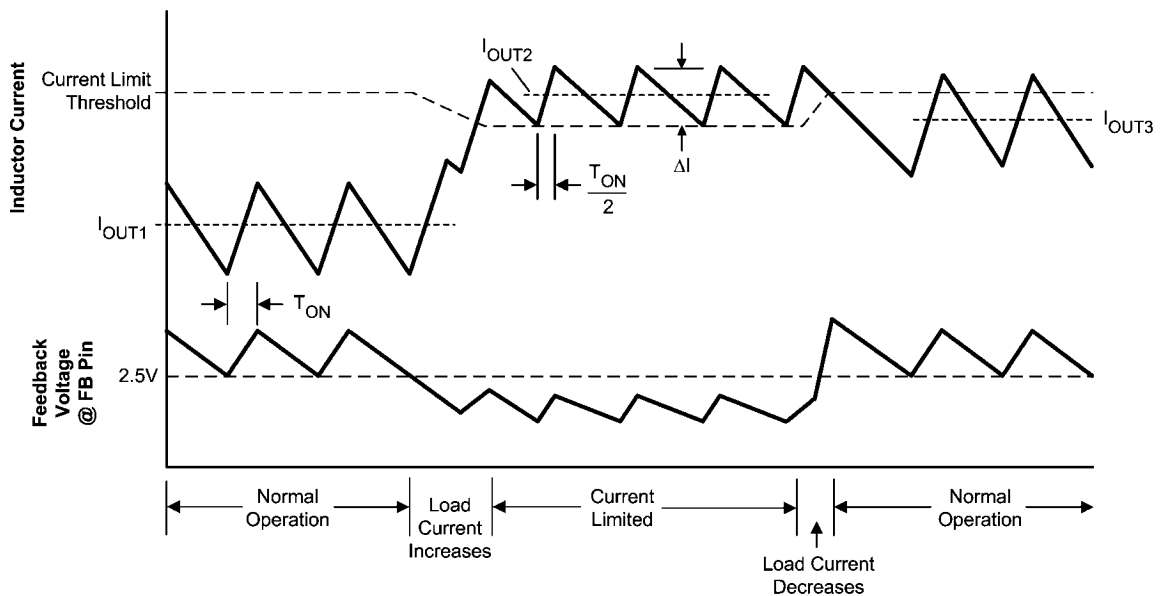
time period. The next on-time starts when the current out of ISEN is below the threshold **and** the voltage at FB falls below 2.5V. The operating frequency is typically lower due to longer-than-normal off-times.

The valley current limit threshold is a function of the input voltage (V_{IN}) and the output voltage sensed at FB, as shown in the graph “Valley Current Limit Threshold vs. V_{FB} and V_{IN} ”. This feature reduces the inductor current’s peak value at high line and load. To further reduce the inductor’s peak current, the next cycle’s on-time is reduced by approximately 50% if the voltage at FB is below its threshold when the inductor current reduces to the current limit threshold (V_{OUT} is low due to current limiting).

Figure 3 illustrates the inductor current waveform during normal operation and in current limit. During the first “Normal Operation” the load current is I_{OUT1} , the average of the ripple waveform. As the load resistance is reduced, the inductor current increases until it exceeds the current limit threshold.

During the “Current Limited” portion of Figure 3, the current limit threshold lowers since the high load current causes V_{OUT} (and the voltage at FB) to reduce. The on-time is reduced by approximately 50%, resulting in lower ripple amplitude for the inductor’s current. During this time the LM34917A is in a constant current mode, with an average load current equal to the current limit threshold + $\Delta I/2$ (I_{OUT2}). Normal operation resumes when the load current is reduced to I_{OUT3} , allowing V_{OUT} , the current limit threshold, and the on-time to return to their normal values. Note that in the second period of “Normal Operation”, even though the inductor’s peak current exceeds the current limit threshold during part of each cycle, the circuit is not in current limit since the current falls below the threshold before the feedback voltage reduces to its threshold to initiate the next on-time.

The peak current allowed through the buck switch, and the ISEN pin, is 2A, and the maximum allowed average current is 1.5A.



20216617

FIGURE 3. Inductor Current - Normal and Current Limit Operation

N - Channel Buck Switch and Driver

The LM34917A integrates an N-Channel buck switch and associated floating high voltage gate driver. The gate driver circuit works in conjunction with an external bootstrap capacitor and an internal high voltage diode. A 0.022 μF capacitor (C4) connected between BST and SW provides the voltage to the driver during the on-time. During each off-time, the SW pin is at approximately -1V, and C4 is recharged for the next on-time from V_{CC} through the internal diode. The minimum off-time ensures a minimum time each cycle to recharge the bootstrap capacitor.

Softstart

The softstart feature allows the converter to gradually reach a steady state operating point, thereby reducing start-up stresses and current surges. Upon turn-on, after V_{CC} reaches the under-voltage threshold, an internal 11.6 μA current source charges up the external capacitor at the SS pin to 2.5V (t_2 in Figure 1). The ramping voltage at SS (and the non-inverting input of the regulation comparator) ramps up the output voltage in a controlled manner.

An internal switch grounds the SS pin if V_{CC} is below the under-voltage lockout threshold, if the RON/SD pin is grounded, or if V_{IN} exceeds the overvoltage threshold.

Thermal Shutdown

The LM34917A should be operated so the junction temperature does not exceed 125°C. If the junction temperature increases above that, an internal Thermal Shutdown circuit activates (typically) at 175°C, taking the controller to a low power reset state by disabling the buck switch. This feature

helps prevent catastrophic failures from accidental device overheating. When the junction temperature reduces below 155°C (typical hysteresis = 20°C), normal operation resumes.

Applications Information

EXTERNAL COMPONENTS

The procedure for calculating the external components is illustrated with the following design example. Referring to the Block Diagram, the circuit is to be configured for the following specifications:

- $V_{OUT} = 5V$
- $V_{IN} = 8V$ to 33V
- Minimum load current = 200 mA
- Maximum load current = 1000 mA
- Switching Frequency = 1.5 MHz
- Soft-start time = 5 ms
- Output voltage ripple level: Minimum

R1 and R2: These resistors set the output voltage. The ratio of the feedback resistors is calculated from:

$$R1/R2 = (V_{OUT}/2.5V) - 1$$

For this example, $R1/R2 = 1$. R1 and R2 should be chosen from standard value resistors in the range of 1.0 kΩ – 10 kΩ which satisfy the above ratio. For this example, 2.49 kΩ is chosen for R1 and R2.

R_{ON}: This resistor sets the on-time, and (by default) the switching frequency. Since the maximum frequency is limited by the minimum off-time forced by the LM34917A, first check that the desired frequency is less than:

$$f_{SW} < \frac{V_{IN} - V_{OUT}}{V_{IN} \times 105 \text{ ns}} = 3.57 \text{ MHz at } V_{IN} = 8V$$

The R_{ON} resistor is calculated from equation 5 using the minimum input voltage:

$$R_{ON} = \frac{V_{OUT} \times (V_{IN(min)} - 1.35V)}{V_{IN(min)} \times 1.16 \times 10^{-10} \times f_{SW}} - 1.4 \text{ k}\Omega = 22.49 \text{ k}\Omega$$

Equation 4 is used to verify that this value resistor does not set an on-time less than 120 ns at maximum input voltage. A standard value 22.1 kΩ resistor is used, resulting in a nominal frequency of 1.49 MHz. The minimum on-time is 188 ns at $V_{IN} = 33V$, and the maximum on-time is 510 ns at $V_{IN} = 8V$.

L1: The main parameter affected by the inductor is the inductor current ripple amplitude (I_{OR}). The minimum load current is used to determine the maximum allowable ripple in order to maintain continuous conduction mode, where the lower peak does not reach 0 mA. This is not a requirement of the LM34917A, but serves as a guideline for selecting L1. For this example, the maximum ripple current should be less than:

$$I_{OR(MAX)} = 2 \times I_{OUT(min)} = 400 \text{ mAp-p} \quad (6)$$

For other applications, if the minimum load current is zero, use 20% of $I_{OUT(max)}$ for $I_{OUT(min)}$ in equation 6. The ripple amplitude calculated in Equation 6 is then used in the following equation:

$$L1_{(min)} = \frac{t_{on(min)} \times (V_{IN(max)} - V_{OUT})}{I_{OR(max)}} = 13.2 \text{ }\mu\text{H} \quad (7)$$

A standard value 15 μH inductor is selected. The maximum ripple amplitude, which occurs at maximum V_{IN} , calculates to 351 mA p-p, and the peak current is 1175 mA at maximum load current. Ensure the selected inductor is rated for this peak current.

C2: C2 should typically be no smaller than 3.3 μF , although that is dependent on the frequency and the desired output characteristics. C2 should be a low ESR good quality ceramic capacitor. Experimentation is usually necessary to determine the minimum value for C2, as the nature of the load may require a larger value. A load which creates significant transients requires a larger value for C2 than a non-varying load.

C1 and C5: C1's purpose is to supply most of the switch current during the on-time, and limit the voltage ripple at V_{IN} , since it is assumed the voltage source feeding V_{IN} has some amount of source impedance.

At maximum load current, when the buck switch turns on, the current into V_{IN} suddenly increases to the lower peak of the inductor's ripple current, ramps up to the upper peak, then drops to zero at turn-off. The average current during the on-time is the load current. For a worst case calculation, C1 must supply this average load current during the maximum on-time, without letting the voltage at V_{IN} drop below $\approx 7.5V$. The minimum value for C1 is calculated from:

$$C1 = \frac{I_{OUT(max)} \times t_{ON}}{\Delta V} = 1.02 \text{ }\mu\text{F}$$

where t_{ON} is the maximum on-time, and ΔV is the allowable ripple voltage at V_{IN} (0.5V at $V_{IN} = 8V$). C5's purpose is to minimize transients and ringing due to long lead inductance leading the V_{IN} pin. A low ESR 0.1 μF ceramic chip capacitor must be located close to the V_{IN} and RTN pins.

C3: The capacitor at the VCC pin provides noise filtering and stability for the VCC regulator. C3 should be no smaller than 0.1 μF , and should be a good quality, low ESR ceramic capacitor. C3's value, and the VCC current limit, determine a portion of the turn-on-time (t_1 in Figure 1).

C4: The recommended value for C4 is 0.022 μF . A high quality ceramic capacitor with low ESR is recommended as C4 supplies a surge current to charge the buck switch gate at each turn-on. A low ESR also helps ensure a complete recharge during each off-time.

C6: The capacitor at the SS pin determines the soft-start time, i.e. the time for the output voltage to reach its final value (t_2 in Figure 1). The capacitor value is determined from:

$$C6 = \frac{t_2 \times 11.6 \text{ }\mu\text{A}}{2.5V} = 0.023 \text{ }\mu\text{F}$$

R3, C7, C8: The ripple amplitude at V_{OUT} is determined by C2's characteristics and the inductor's ripple current amplitude, and typically ranges from 5 mV to 30 mV over the V_{IN} range. Since the LM34917A's regulation comparator requires a minimum of 25 mVp-p ripple at the FB pin, these three components are added to generate and provide the necessary ripple to FB in phase with the waveform at SW. R3 and C8 are chosen to generate a sawtooth waveform at their junction, and that voltage is AC coupled to the FB pin via C7. To determine the values for R3, C7 and C8, the following procedure is used:

$$\text{Calculate } V_A = V_{OUT} - (V_{SW} \times (1 - (V_{OUT}/V_{IN(min)})))$$

where V_{SW} is the absolute value of the voltage at the SW pin during the off-time (typically 1V). V_A , the DC voltage at the R3/C8 junction, calculates to 4.63V, and is used in the next equation.

$$R3 \times C8 = \frac{(V_{IN(min)} - V_A) \times t_{ON}}{\Delta V} = 17.5 \times 10^{-6}$$

where t_{ON} is the maximum on-time (at minimum input voltage), and ΔV is the desired ripple amplitude at the R3/C8 junction, typically 100 mV. R3 and C8 are chosen from standard value components to satisfy the above product. For this example, 3300 pF is chosen for C8, and 5.23 kΩ is chosen for R3. C7 is chosen large compared to C8, typically 0.1 μF.

D1: A Schottky diode is recommended. Ultra-fast recovery diodes are not recommended as the high speed transitions at

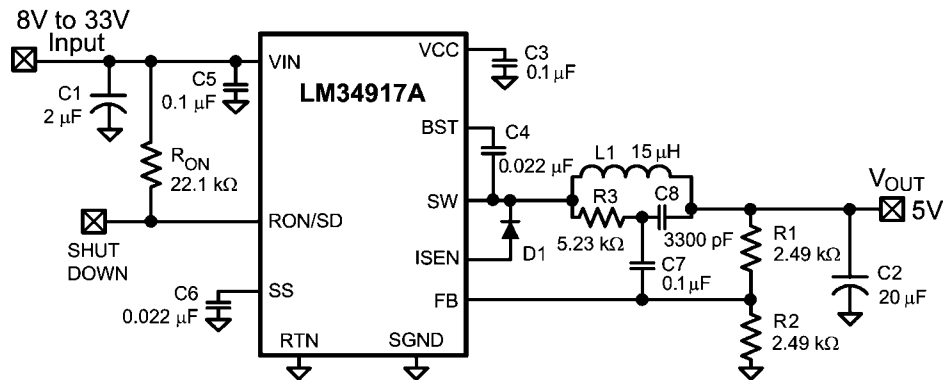
the SW pin may inadvertently affect the IC's operation through external or internal EMI. The diode must be rated for the maximum input voltage, the maximum load current, and the peak current which occurs when the current limit and maximum ripple current are reached simultaneously. The diode's average power dissipation is calculated from:

$$P_{D1} = V_F \times I_{OUT} \times (1-D)$$

where V_F is the diode's forward voltage drop, and D is the on-time duty cycle.

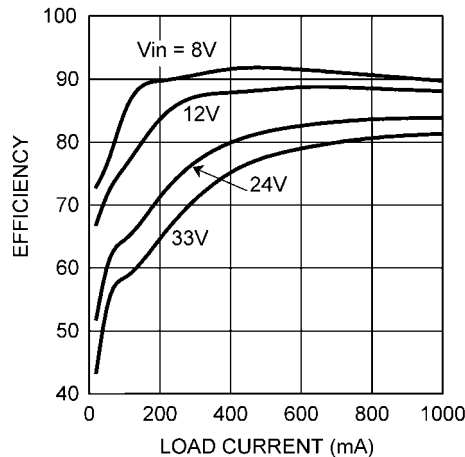
FINAL CIRCUIT

The final circuit is shown in Figure 4, and its performance is shown in Figure 5 and Figure 6. Current limit measured approximately 1.34A at $V_{IN} = 8V$, and 1.27A at $V_{IN} = 33V$. The output ripple amplitude measured 4 mVp-p at $V_{IN} = 8V$, and 14 mVp-p at $V_{IN} = 33V$.



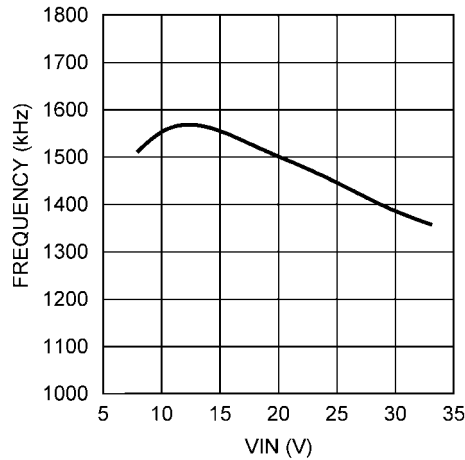
20216643

FIGURE 4. Example Circuit



20216633

FIGURE 5. Efficiency vs. Load Current and V_{IN} (Circuit of Figure 4)



20216634

FIGURE 6. Frequency vs. VIN (Circuit of Figure 4)

ALTERNATE OUTPUT RIPPLE CONFIGURATIONS

For applications which can accept higher levels of ripple at V_{OUT}, the following configurations are simpler and a bit more economical.

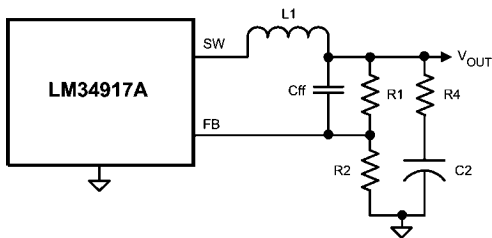
a) Alternate #1: In Figure 7 R3, C7 and C8 are removed, and C_{ff} and R4 are installed, resulting in a higher ripple level than the circuit of Figure 4. Ripple is created at V_{OUT} by the inductor's ripple current passing through R4. That ripple voltage is AC coupled to the FB pin through C_{ff}, allowing the minimum ripple at V_{OUT} to be set at 25 mVp-p. The minimum ripple current amplitude (I_{OR(min)}) is calculated by re-arranging Equation 7 using t_{ON(max)} and V_{IN(min)}. The minimum value for R4 is calculated from:

$$R4 = \frac{25 \text{ mV}}{I_{OR(\text{min})}}$$

The next larger standard value resistor should be selected for R4 to allow for tolerances. The minimum value for C_{ff} is determined from:

$$C_{ff} = \frac{t_{ON(\text{max})}}{(R1//R2)}$$

The next larger standard value capacitor should be used for C_{ff}.



20216626

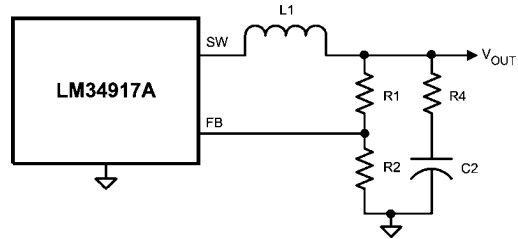
FIGURE 7. Reduced Ripple Configuration

b) Alternate #2: In Figure 8, R3, C7 and C8 are removed, and R4 is installed, resulting in a higher ripple level than the

circuits of Figure 4 and Figure 7. Ripple is created at V_{OUT} by the inductor's ripple current passing through R4. That ripple voltage is coupled to the FB pin through the feedback resistors (R1, R2). Since the LM34917A requires a minimum of 25 mVp-p ripple at the FB pin, the ripple required at V_{OUT} is higher than 25 mVp-p by the gain of the feedback resistors. The minimum ripple current (I_{OR(min)}) is calculated by re-arranging Equation 7 using t_{ON(max)} and V_{IN(min)}. The minimum value for R4 is calculated from:

$$R4_{(\text{min})} = \frac{25 \text{ mV} \times (R1 + R2)}{R2 \times I_{OR(\text{min})}}$$

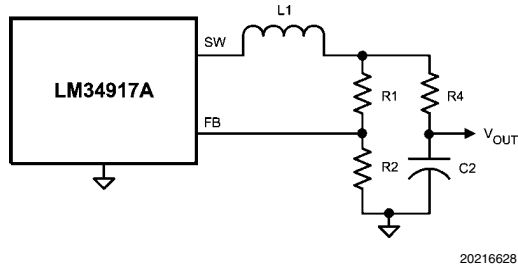
The next larger standard value resistor should be used for R4.



20216627

FIGURE 8. Maximum Ripple Configuration

c) Alternate minimum ripple configuration: The circuit in Figure 9 is the same as that in Figure 8, except the output voltage is taken from the junction of R4 and C2. The ripple at V_{OUT} is determined by the inductor's ripple current and C2's characteristics. However, R4 slightly degrades the load regulation. This circuit may be suitable if the load current is fairly constant. R4 is calculated as described in Alternate #2 above.



20216628

FIGURE 9. Alternate Minimum Output Ripple Configuration

Minimum Load Current

The LM34917A requires a minimum load current of 1 mA. If the load current falls below that level, the bootstrap capacitor (C4) may discharge during the long off-time, and the circuit will either shutdown, or cycle on and off at a low frequency. If the load current is expected to drop below 1 mA in the application, R1 and R2 should be chosen low enough in value so they provide the minimum required current at nominal V_{OUT} .

PC BOARD LAYOUT

Refer to application note AN-1112 for PC board guidelines for the Micro SMD package.

The LM34917A regulation, over-voltage, and current limit comparators are very fast, and respond to short duration noise pulses. Layout considerations are therefore critical for optimum performance. The layout must be as neat and com-

pact as possible, and all of the components must be as close as possible to their associated pins. The two major current loops have currents which switch very fast, and so the loops should be as small as possible to minimize conducted and radiated EMI. The first loop is that formed by C1, through the VIN to SW pins, L1, C2, and back to C1. The second current loop is formed by D1, L1, C2 and the SGND and ISEN pins.

The power dissipation within the LM34917A can be approximated by determining the total conversion loss ($P_{IN} - P_{OUT}$), and then subtracting the power losses in the free-wheeling diode and the inductor. The power loss in the diode is approximately:

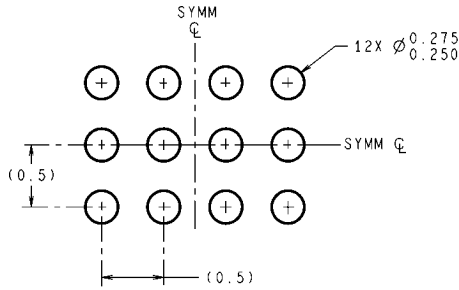
$$P_{D1} = I_{out} \times V_F \times (1-D)$$

where I_{out} is the load current, V_F is the diode's forward voltage drop, and D is the on-time duty cycle. The power loss in the inductor is approximately:

$$P_{L1} = I_{out}^2 \times R_L \times 1.1$$

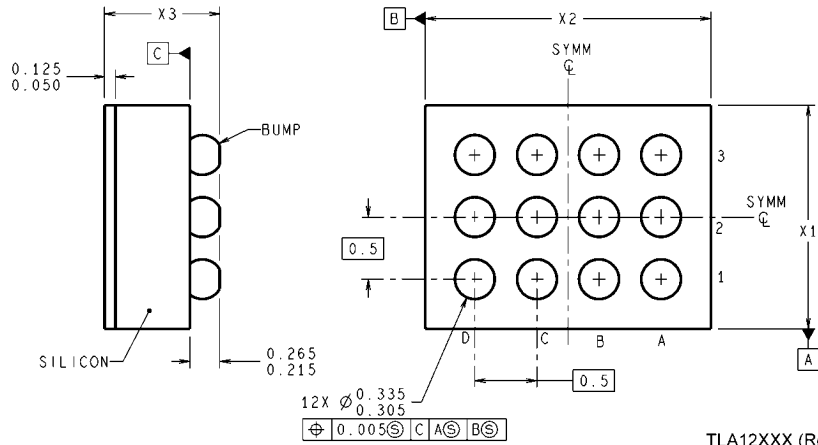
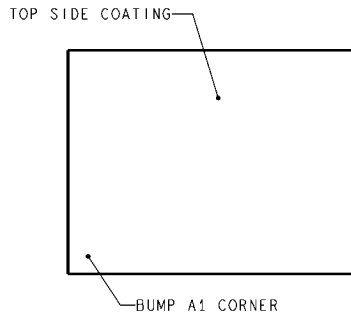
where R_L is the inductor's DC resistance, and the 1.1 factor is an approximation for the AC losses. If it is expected that the internal dissipation of the LM34917A will produce excessive junction temperatures during normal operation, good use of the PC board's ground plane can help to dissipate heat. Additionally the use of wide PC board traces, where possible, can help conduct heat away from the IC. Judicious positioning of the PC board within the end product, along with the use of any available air flow (forced or natural convection) can help reduce the junction temperatures.

Physical Dimensions inches (millimeters) unless otherwise noted



DIMENSIONS ARE IN MILLIMETERS
DIMENSIONS IN () FOR REFERENCE ONLY

LAND PATTERN RECOMMENDATION



TLA12XXX (Rev C)

Note: X1 = 1.971 mm, \pm 0.030 mm
X2 = 2.301 mm, \pm 0.030 mm
X3 = 0.60 mm, \pm 0.075 mm

12-Bump micro SMD Package
NS Package Number TLA12UNA

Notes

For more National Semiconductor product information and proven design tools, visit the following Web sites at:

Products		Design Support	
Amplifiers	www.national.com/amplifiers	WEBENCH	www.national.com/webench
Audio	www.national.com/audio	Analog University	www.national.com/AU
Clock Conditioners	www.national.com/timing	App Notes	www.national.com/appnotes
Data Converters	www.national.com/adc	Distributors	www.national.com/contacts
Displays	www.national.com/displays	Green Compliance	www.national.com/quality/green
Ethernet	www.national.com/ethernet	Packaging	www.national.com/packaging
Interface	www.national.com/interface	Quality and Reliability	www.national.com/quality
LVDS	www.national.com/lvds	Reference Designs	www.national.com/refdesigns
Power Management	www.national.com/power	Feedback	www.national.com/feedback
Switching Regulators	www.national.com/switchers		
LDOs	www.national.com/lido		
LED Lighting	www.national.com/led		
PowerWise	www.national.com/powerwise		
Serial Digital Interface (SDI)	www.national.com/sdi		
Temperature Sensors	www.national.com/tempsensors		
Wireless (PLL/VCO)	www.national.com/wireless		

THE CONTENTS OF THIS DOCUMENT ARE PROVIDED IN CONNECTION WITH NATIONAL SEMICONDUCTOR CORPORATION ("NATIONAL") PRODUCTS. NATIONAL MAKES NO REPRESENTATIONS OR WARRANTIES WITH RESPECT TO THE ACCURACY OR COMPLETENESS OF THE CONTENTS OF THIS PUBLICATION AND RESERVES THE RIGHT TO MAKE CHANGES TO SPECIFICATIONS AND PRODUCT DESCRIPTIONS AT ANY TIME WITHOUT NOTICE. NO LICENSE, WHETHER EXPRESS, IMPLIED, ARISING BY ESTOPPEL OR OTHERWISE, TO ANY INTELLECTUAL PROPERTY RIGHTS IS GRANTED BY THIS DOCUMENT.

TESTING AND OTHER QUALITY CONTROLS ARE USED TO THE EXTENT NATIONAL DEEMS NECESSARY TO SUPPORT NATIONAL'S PRODUCT WARRANTY. EXCEPT WHERE MANDATED BY GOVERNMENT REQUIREMENTS, TESTING OF ALL PARAMETERS OF EACH PRODUCT IS NOT NECESSARILY PERFORMED. NATIONAL ASSUMES NO LIABILITY FOR APPLICATIONS ASSISTANCE OR BUYER PRODUCT DESIGN. BUYERS ARE RESPONSIBLE FOR THEIR PRODUCTS AND APPLICATIONS USING NATIONAL COMPONENTS. PRIOR TO USING OR DISTRIBUTING ANY PRODUCTS THAT INCLUDE NATIONAL COMPONENTS, BUYERS SHOULD PROVIDE ADEQUATE DESIGN, TESTING AND OPERATING SAFEGUARDS.

EXCEPT AS PROVIDED IN NATIONAL'S TERMS AND CONDITIONS OF SALE FOR SUCH PRODUCTS, NATIONAL ASSUMES NO LIABILITY WHATSOEVER, AND NATIONAL DISCLAIMS ANY EXPRESS OR IMPLIED WARRANTY RELATING TO THE SALE AND/OR USE OF NATIONAL PRODUCTS INCLUDING LIABILITY OR WARRANTIES RELATING TO FITNESS FOR A PARTICULAR PURPOSE, MERCHANTABILITY, OR INFRINGEMENT OF ANY PATENT, COPYRIGHT OR OTHER INTELLECTUAL PROPERTY RIGHT.

LIFE SUPPORT POLICY

NATIONAL'S PRODUCTS ARE NOT AUTHORIZED FOR USE AS CRITICAL COMPONENTS IN LIFE SUPPORT DEVICES OR SYSTEMS WITHOUT THE EXPRESS PRIOR WRITTEN APPROVAL OF THE CHIEF EXECUTIVE OFFICER AND GENERAL COUNSEL OF NATIONAL SEMICONDUCTOR CORPORATION. As used herein:

Life support devices or systems are devices which (a) are intended for surgical implant into the body, or (b) support or sustain life and whose failure to perform when properly used in accordance with instructions for use provided in the labeling can be reasonably expected to result in a significant injury to the user. A critical component is any component in a life support device or system whose failure to perform can be reasonably expected to cause the failure of the life support device or system or to affect its safety or effectiveness.

National Semiconductor and the National Semiconductor logo are registered trademarks of National Semiconductor Corporation. All other brand or product names may be trademarks or registered trademarks of their respective holders.

Copyright© 2008 National Semiconductor Corporation

For the most current product information visit us at www.national.com



National Semiconductor Americas Technical Support Center
 Email: support@nsc.com
 Tel: 1-800-272-9959

National Semiconductor Europe Technical Support Center
 Email: europe.support@nsc.com
 German Tel: +49 (0) 180 5010 771
 English Tel: +44 (0) 870 850 4288

National Semiconductor Asia Pacific Technical Support Center
 Email: ap.support@nsc.com

National Semiconductor Japan Technical Support Center
 Email: jpn.feedback@nsc.com