

National Semiconductor is now part of  
Texas Instruments.

Search <http://www.ti.com/> for the latest technical  
information and details on our current products and services.

# LM185-2.5/LM285-2.5/LM385-2.5

## Micropower Voltage Reference Diode

### General Description

The LM185-2.5/LM285-2.5/LM385-2.5 are micropower 2-terminal band-gap voltage regulator diodes. Operating over a 20  $\mu$ A to 20 mA current range, they feature exceptionally low dynamic impedance and good temperature stability. On-chip trimming is used to provide tight voltage tolerance. Since the LM-185-2.5 band-gap reference uses only transistors and resistors, low noise and good long term stability result.

Careful design of the LM185-2.5 has made the device exceptionally tolerant of capacitive loading, making it easy to use in almost any reference application. The wide dynamic operating range allows its use with widely varying supplies with excellent regulation.

The extremely low power drain of the LM185-2.5 makes it useful for micropower circuitry. This voltage reference can be used to make portable meters, regulators or general purpose analog circuitry with battery life approaching shelf life. Further, the wide operating current allows it to replace older references with a tighter tolerance part. For applications requiring 1.2V see LM185-1.2.

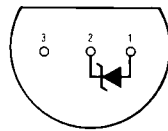
The LM185-2.5 is rated for operation over a  $-55^{\circ}\text{C}$  to  $125^{\circ}\text{C}$  temperature range while the LM285-2.5 is rated  $-40^{\circ}\text{C}$  to  $85^{\circ}\text{C}$  and the LM385-2.5  $0^{\circ}\text{C}$  to  $70^{\circ}\text{C}$ . The LM185-2.5/LM285-2.5 are available in a hermetic TO-46 package and the LM285-2.5/LM385-2.5 are also available in a low-cost TO-92 molded package, as well as S.O. and SOT-23. The LM185-2.5 is also available in a hermetic leadless chip carrier package.

### Features

- $\pm 20$  mV ( $\pm 0.8\%$ ) max. initial tolerance (A grade)
- Operating current of 20  $\mu$ A to 20 mA
- 0.6 $\Omega$  dynamic impedance (A grade)
- Low temperature coefficient
- Low voltage reference—2.5V
- 1.2V device and adjustable device also available—LM185-1.2 series and LM185 series, respectively

### Connection Diagrams

TO-92  
Plastic Package

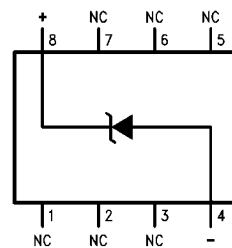


551908

Bottom View

Order Number LM285Z-2.5,  
LM285BXZ-2.5, LM285BYZ-2.5  
LM385Z-2.5, LM385AXZ-2.5  
LM385AYZ-2.5, LM385BZ-2.5,  
LM385BXZ-2.5 or LM385BYZ-2.5  
See NS Package Number Z03A

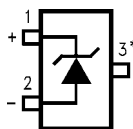
SO Package



551911

Order Number LM285M-2.5,  
LM285BXM-2.5, LM285BYM-2.5  
LM385M-2.5, LM385BM-2.5  
LM385BXM-2.5 or LM385BYM-2.5  
See NS Package Number M08A

SOT-23

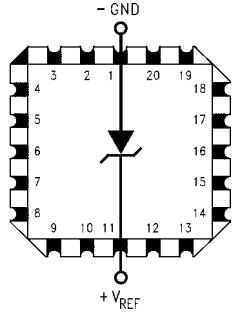


551929

\* Pin 3 is attached to the Die Attach Pad (DAP) and should be connected to Pin 2 or left floating.

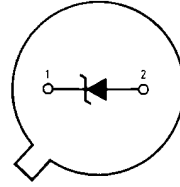
Order Number LM385M3-2.5  
See NS Package Number MA03B

**LCC**  
**Leadless Chip Carrier**



551914  
**Order Number LM185E-2.5/883**  
**See NS Package Number E20A**

**TO-46**  
**Metal Can Package**



551913  
**Bottom View**  
**Order Number LM185H-2.5,**  
**LM185H-2.5/883, LM185BXH-2.5,**  
**LM185BXH-2.5/883, LM185BYH-2.5,**  
**LM185BYH2.5/883, LM285H-2.5,**  
**or LM285BYH-2.5**  
**See NS Package Number H02A**

**Absolute Maximum Ratings** (Notes 1, 2)

If Military/Aerospace specified devices are required, please contact the National Semiconductor Sales Office/Distributors for availability and specifications.

Reverse Current	30 mA
Forward Current	10 mA
Operating Temperature Range (Note 3)	
LM185-2.5	-55°C to + 125°C
LM285-2.5	-40°C to + 85°C
LM385-2.5	0°C to 70°C

ESD Susceptibility (Note 9)	2kV
Storage Temperature	-55°C to + 150°C
Soldering Information	
TO-92 Package (10 sec.)	260°C
TO-46 Package (10 sec.)	300°C
SO and SOT Package	
Vapor Phase (60 sec.)	215°C
Infrared (15 sec.)	220°C

See AN-450 "Surface Mounting Methods and Their Effect on Product Reliability" for other methods of soldering surface mount devices.

**Electrical Characteristics**

(Note 4)

Parameter	Conditions	Typ	LM385A-2.5 LM385AX-2.5 LM385AY-2.5		Units (Limits)
			Tested Limit (Note 5)	Design Limit (Note 6)	
Reverse Breakdown Voltage	$I_R = 100 \mu A$	2.500	2.480		V(Min)
		<b>2.500</b>	2.520	<b>2.470</b> <b>2.530</b>	V(Max) V(Min) V(Max)
Minimum Operating Current		12	18	<b>20</b>	$\mu A$ (Max)
Reverse Breakdown Voltage Change with Current	$I_{MIN} \leq I_R \leq 1 mA$		1	<b>1.5</b>	mV (Max)
	$1 mA \leq I_R \leq 20 mA$		10	<b>20</b>	mV (Max)
Reverse Dynamic Impedance	$I_R = 100 \mu A,$ $f = 20 Hz$	0.2		0.6	$\Omega$
				<b>1.5</b>	
Wideband Noise (rms)	$I_R = 100 \mu A$ $10 Hz \leq f \leq 10 kHz$	120			$\mu V$
Long Term Stability	$I_R = 100 \mu A,$ $T = 1000 Hr,$ $T_A = 25^\circ C \pm 0.1^\circ C$	20			ppm
Average Temperature Coefficient (Note 7)	$I_{MIN} \leq I_R \leq 20 mA$ X Suffix Y Suffix All Others		<b>30</b>		ppm/ $^\circ C$ (Max)
			<b>50</b>		
			<b>150</b>		

## Electrical Characteristics

Parameter	Conditions	Typ	LM185-2.5 LM185BX-2.5 LM185BY-2.5 LM285-2.5 LM285BX-2.5 LM285BY-2.5		LM385B-2.5 LM385BX-2.5 LM385BY-2.5		LM385-2.5		Units (Limit)
			Tested Limit (Notes 5, 8)	Design Limit (Note 6)	Tested Limit (Note 5)	Design Limit (Note 6)	Tested Limit (Note 5)	Design Limit (Note 6)	
Reverse Breakdown Voltage	$T_A = 25^\circ\text{C}$ ,	2.5	2.462		2.462		2.425		V(Min)
	$20\ \mu\text{A} \leq I_R \leq 20\ \text{mA}$		2.538		2.538		2.575		V(Max)
Minimum Operating Current		13	20	<b>30</b>	20	<b>30</b>	20	<b>30</b>	$\mu\text{A}$
	LM385M3-2.5						15	<b>20</b>	(Max)
Reverse Breakdown Voltage Change with Current	$20\ \mu\text{A} \leq I_R \leq 1\ \text{mA}$		1	<b>1.5</b>	2.0	<b>2.5</b>	2.0	<b>2.5</b>	mV (Max)
	$1\ \text{mA} \leq I_R \leq 20\ \text{mA}$		10	<b>20</b>	20	<b>25</b>	20	<b>25</b>	mV (Max)
Reverse Dynamic Impedance	$I_R = 100\ \mu\text{A}$ , $f = 20\ \text{Hz}$	1							$\Omega$
Wideband Noise (rms)	$I_R = 100\ \mu\text{A}$ , $10\ \text{Hz} \leq f \leq 10\ \text{kHz}$	120							$\mu\text{V}$
Long Term Stability	$I_R = 100\ \mu\text{A}$ , $T = 1000\ \text{Hr}$ , $T_A = 25^\circ\text{C} \pm 0.1^\circ\text{C}$	20							ppm
Average Temperature Coefficient (Note 7)	$I_R = 100\ \mu\text{A}$								
	X Suffix		<b>30</b>		<b>30</b>				ppm/ $^\circ\text{C}$
	Y Suffix		<b>50</b>	<b>150</b>	<b>50</b>	<b>150</b>		<b>150</b>	ppm/ $^\circ\text{C}$
	All Others								ppm/ $^\circ\text{C}$ (Max)

**Note 1:** Absolute Maximum Ratings indicate limits beyond which damage to the device may occur. Operating Ratings indicate conditions for which the device is intended to be functional, but do not guarantee specific performance limits. For guaranteed specifications and test conditions, see the Electrical Characteristics. The guaranteed specifications apply only for the test conditions listed.

**Note 2:** Refer to RETS185H-2.5 for military specifications.

**Note 3:** For elevated temperature operation,  $T_{J\text{MAX}}$  is:

LM185	150 $^\circ\text{C}$
LM285	125 $^\circ\text{C}$
LM385	100 $^\circ\text{C}$

Thermal Resistance	TO-92	TO-46	SO-8	SOT-23
$\theta_{ja}$ (Junction to Ambient)	180 $^\circ\text{C}/\text{W}$ (0.4 Leads) 170 $^\circ\text{C}/\text{W}$ (0.125 Leads)	440 $^\circ\text{C}/\text{W}$	165 $^\circ\text{C}/\text{W}$	283 $^\circ\text{C}/\text{W}$
$\theta_{jc}$ (Junction to Case)	N/A	80 $^\circ\text{C}/\text{W}$	N/A	N/A

**Note 4:** Parameters identified with boldface type apply at temperature extremes. All other numbers apply at  $T_A = T_J = 25^\circ\text{C}$ .

**Note 5:** Guaranteed and 100% production tested.

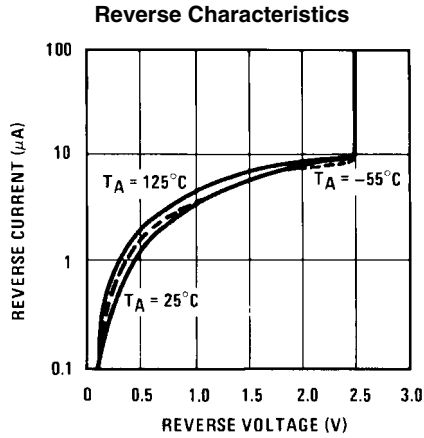
**Note 6:** Guaranteed, but not 100% production tested. These limits are not used to calculate average outgoing quality levels.

**Note 7:** The average temperature coefficient is defined as the maximum deviation of reference voltage at all measured temperatures between the operating  $T_{\text{MAX}}$  and  $T_{\text{MIN}}$ , divided by  $T_{\text{MAX}} - T_{\text{MIN}}$ . The measured temperatures are  $-55^\circ\text{C}$ ,  $-40^\circ\text{C}$ ,  $0^\circ\text{C}$ ,  $25^\circ\text{C}$ ,  $70^\circ\text{C}$ ,  $85^\circ\text{C}$ ,  $125^\circ\text{C}$ .

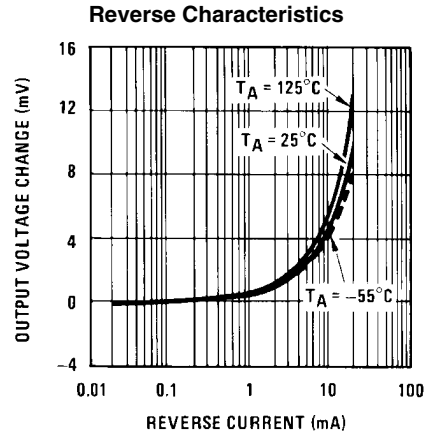
**Note 8:** A military RETS electrical specification available on request.

**Note 9:** The human body model is a 100 pF capacitor discharged through a 1.5 k $\Omega$  resistor into each pin.

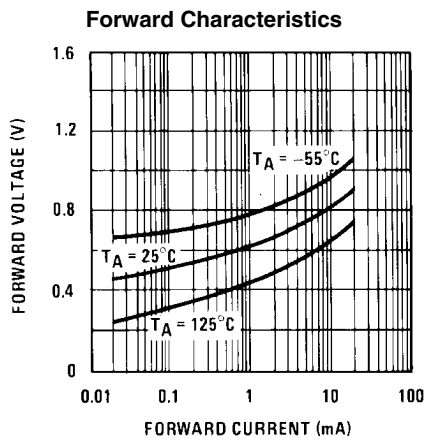
# Typical Performance Characteristics



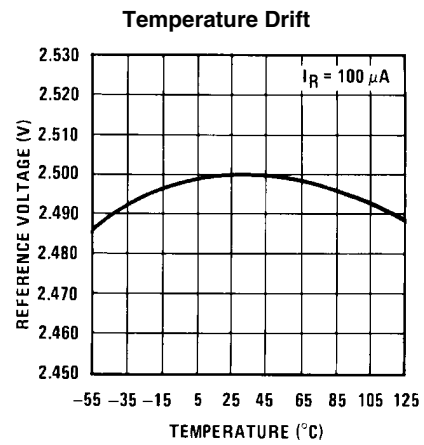
551915



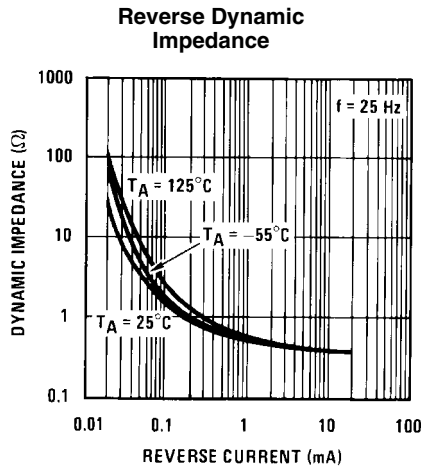
551916



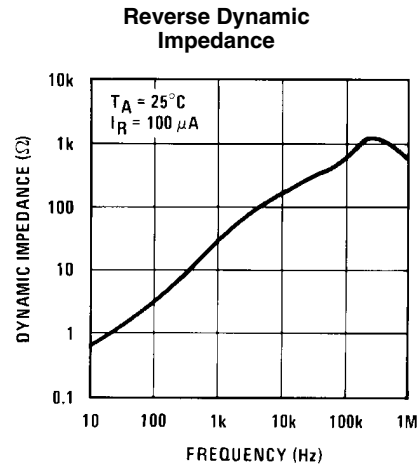
551917



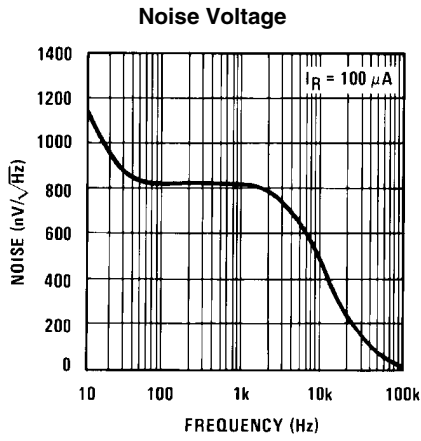
551918



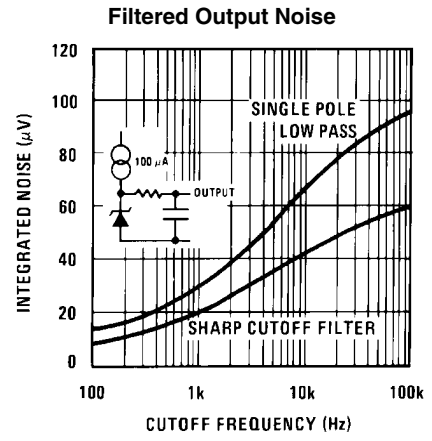
551919



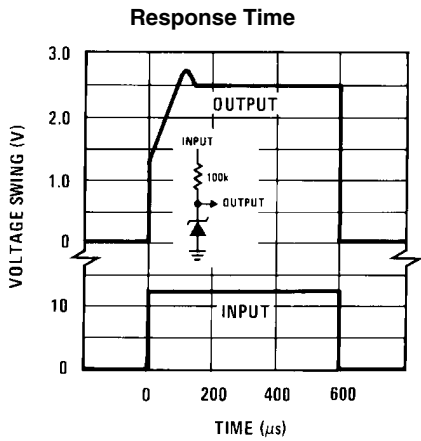
551920



551921



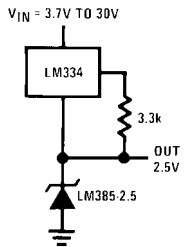
551922



551923

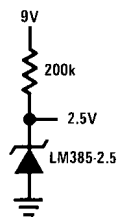
## Applications

### Wide Input Range Reference



551912

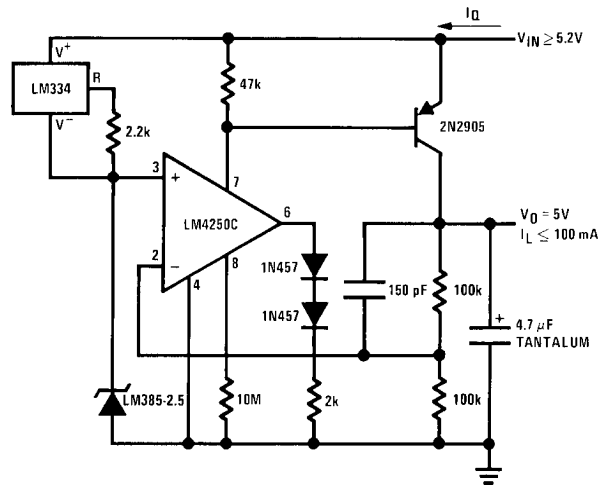
### Micropower Reference from 9V Battery



551902

## LM385-2.5 Applications

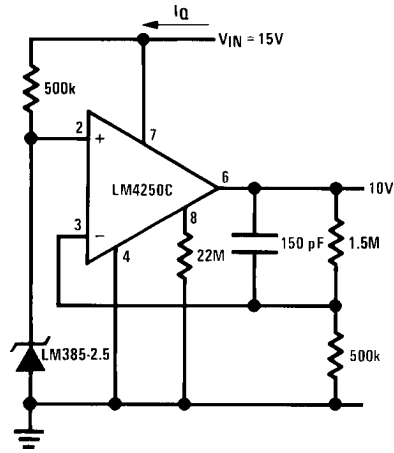
### Micropower 5V Reference



Note 10:  $I_Q = 40 \mu A$

551909

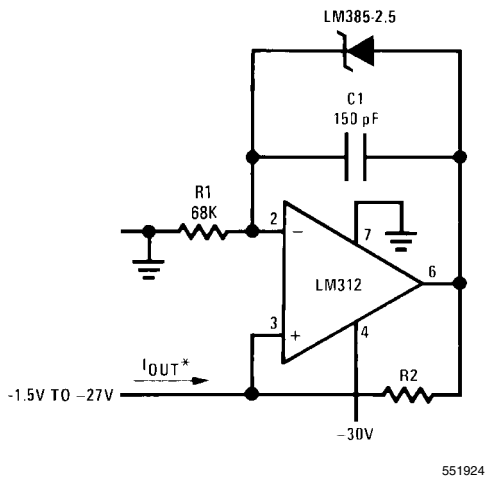
**Micropower 10V Reference**



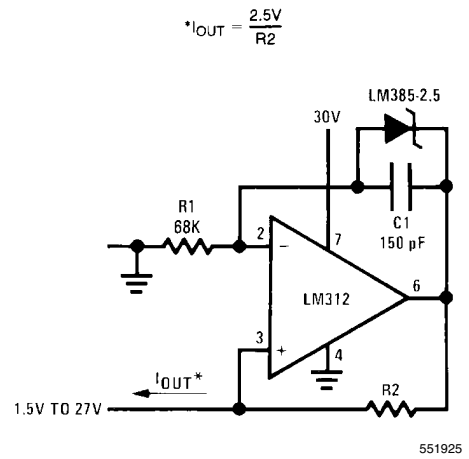
551910

**Note 11:**  $I_Q \approx 30 \mu\text{A}$  standby current

**PRECISION 1  $\mu\text{A}$  to 1 mA CURRENT SOURCES**



551924



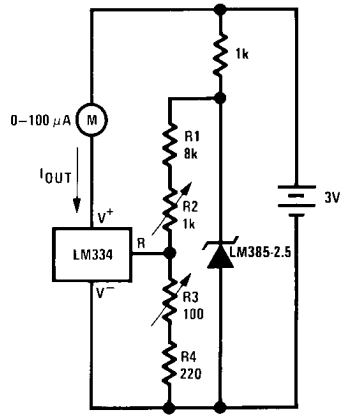
$$I_{OUT} = \frac{2.5V}{R2}$$

551925



METER THERMOMETERS

0°C–100°C Thermometer

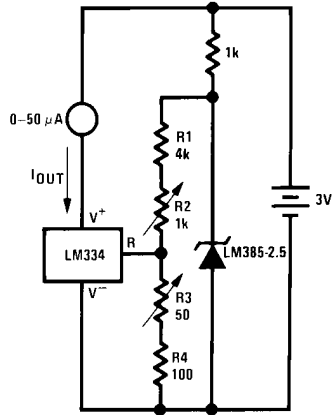


551926

Calibration

1. Short LM385-2.5, adjust R3 for  $I_{OUT} = \text{temp}$  at  $1 \mu\text{A}/^\circ\text{K}$   
Remove short, adjust R2 for correct reading in centigrade

0°F–50°F Thermometer

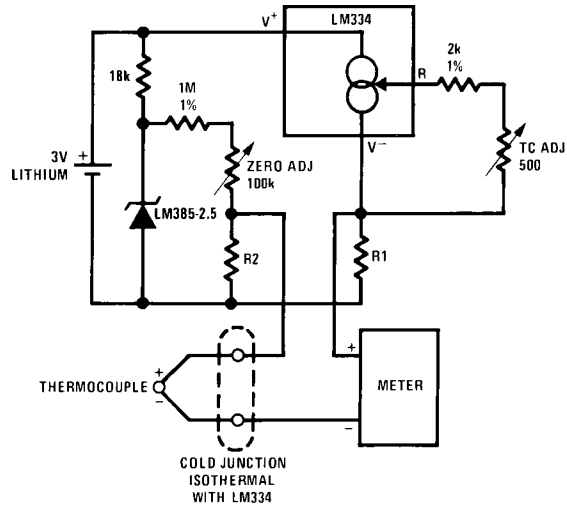


551927

Calibration

1. Short LM385-2.5, adjust R3 for  $I_{OUT} = \text{temp}$  at  $1.8 \mu\text{A}/^\circ\text{K}$   
Remove short, adjust R2 for correct reading in °F

**Micropower Thermocouple Cold Junction Compensator**



551906

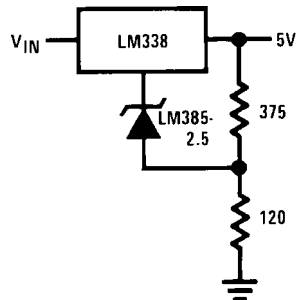
**Adjustment Procedure**

1. Adjust TC ADJ pot until voltage across R1 equals Kelvin temperature multiplied by the thermocouple Seebeck coefficient.
2. Adjust zero ADJ pot until voltage across R2 equals the thermocouple Seebeck coefficient multiplied by 273.2.

Thermocouple Type	Seebeck Co-efficient ( $\mu\text{V}/^\circ\text{C}$ )	R1 ( $\Omega$ )	R2 ( $\Omega$ )	Voltage Across R1 @ 25°C (mV)	Voltage Across R2 (mV)
J	52.3	523	1.24k	15.60	14.32
T	42.8	432	1k	12.77	11.78
K	40.8	412	953 $\Omega$	12.17	11.17
S	6.4	63.4	150 $\Omega$	1.908	1.766

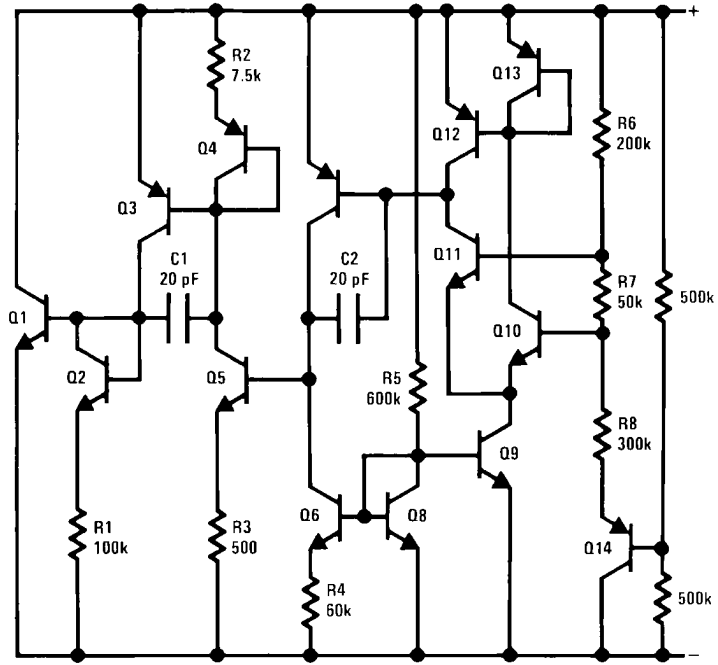
Typical supply current 50  $\mu\text{A}$

**Improving Regulation of Adjustable Regulators**



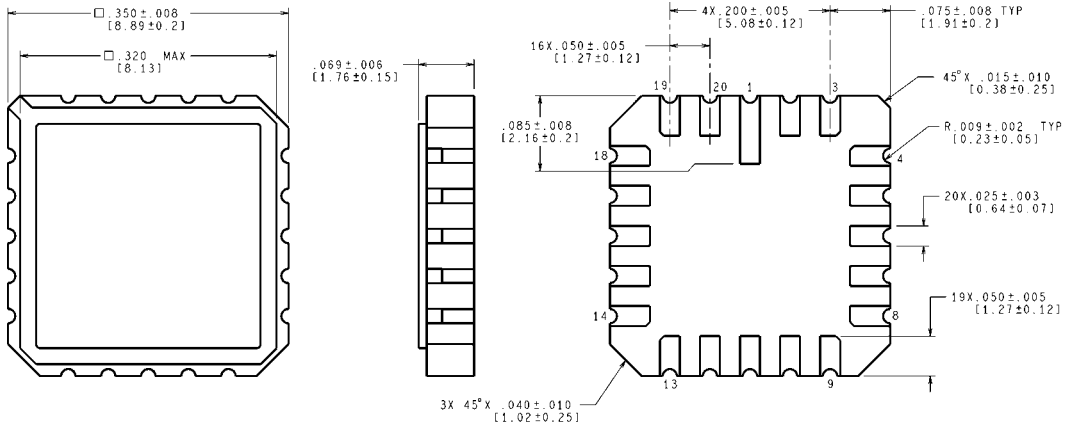
551907

# Schematic Diagram



551901

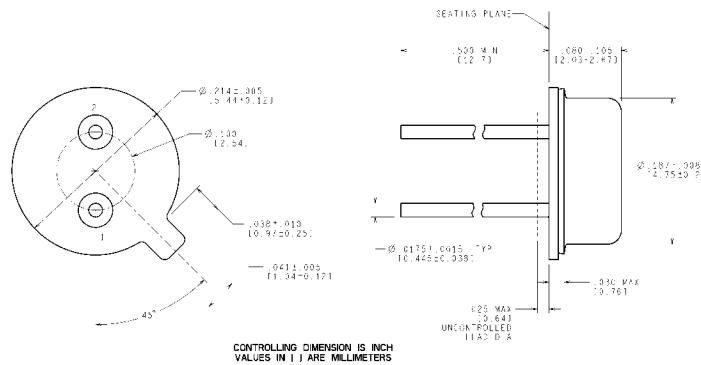
**Physical Dimensions** inches (millimeters) unless otherwise noted



CONTROLLING DIMENSION IS INCH  
 VALUES IN [ ] ARE MILLIMETERS

E20A (Rev F)

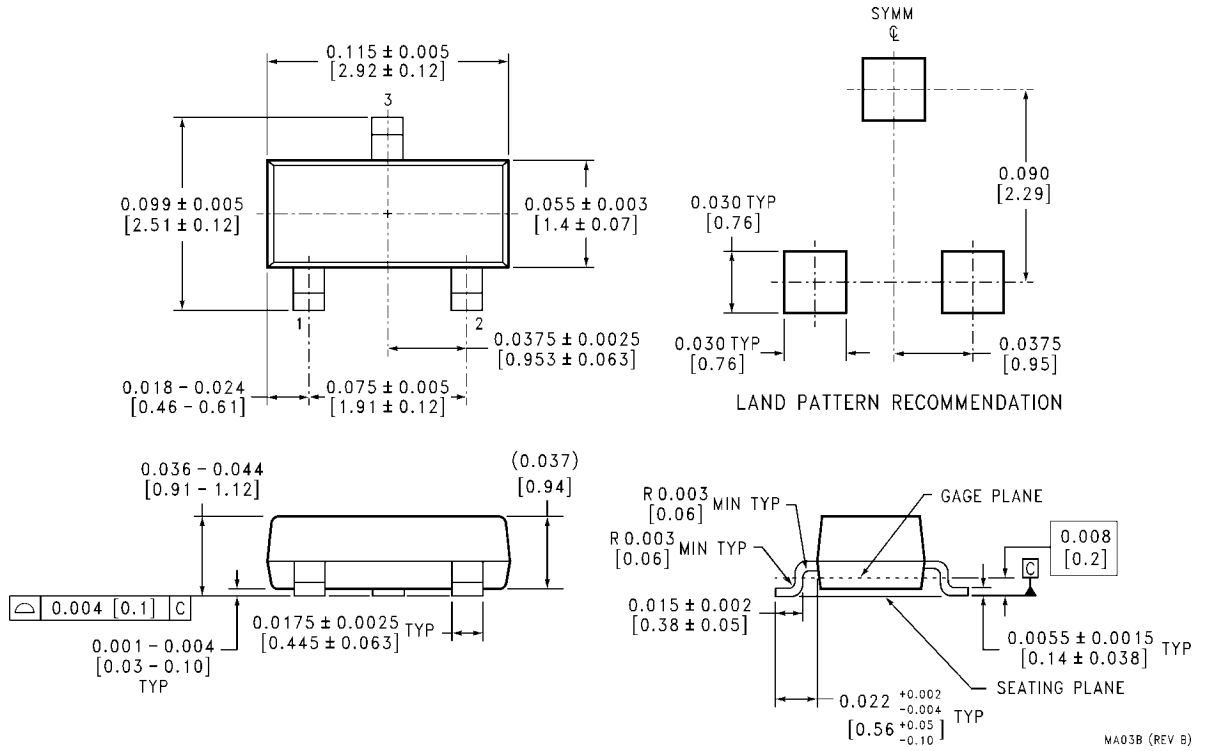
**Order Number LM185E-2.5/883**  
**NS Package Number E20A**



CONTROLLING DIMENSION IS INCH  
 VALUES IN [ ] ARE MILLIMETERS

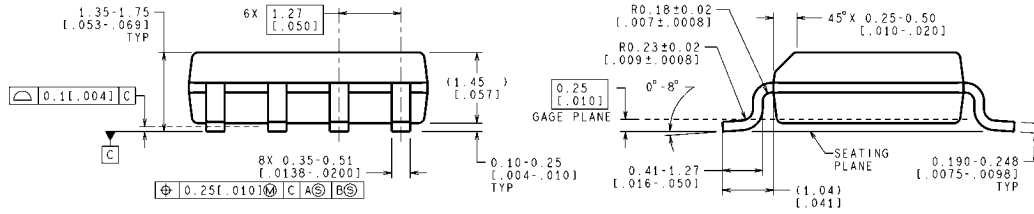
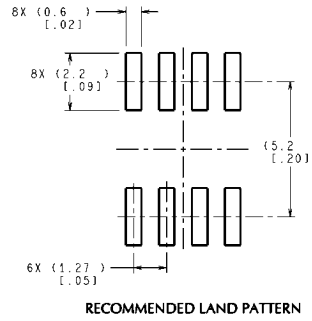
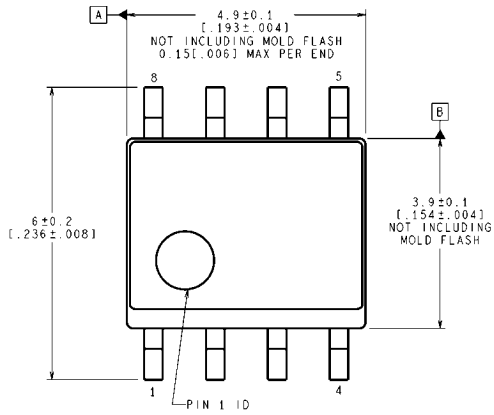
H02A (Rev F)

**TO-46 Metal Can Package (H)**  
**Order Number LM185H-2.5, LM185H-2.5/883, LM185BXH-2.5, LM185BYH-2.5, LM185BYH-2.5/883, LM285H-2.5, or LM285BYH-2.5**  
**NS Package Number H02A**



**SOT-23 Package (M3)**  
**Order Number LM385M3-2.5**  
**NS Package Number MA03B**

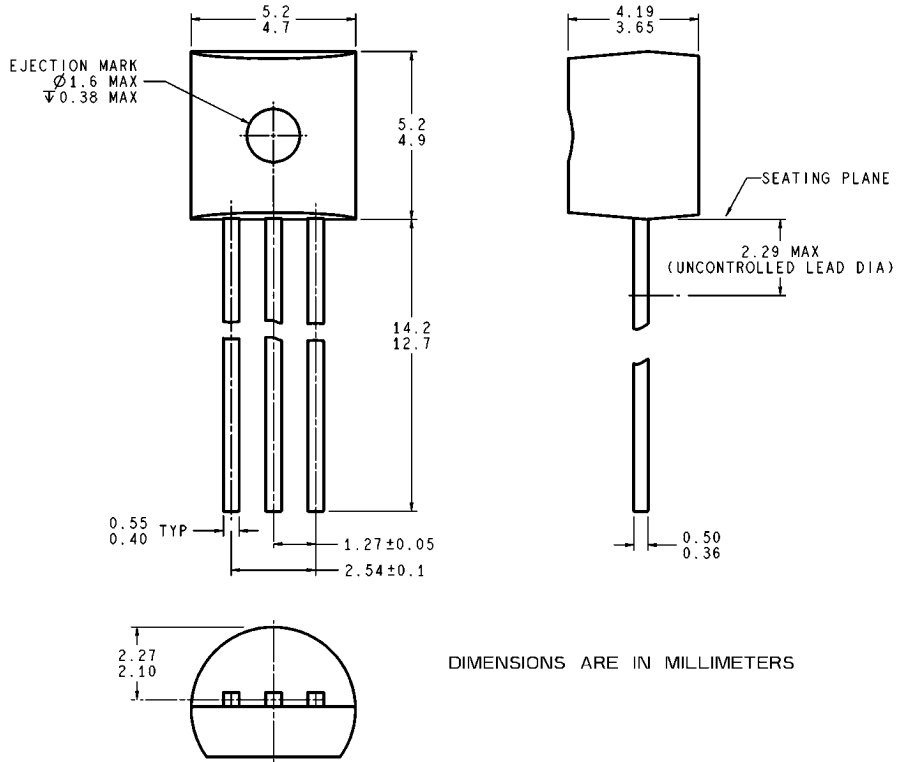
MA03B (REV B)



CONTROLLING DIMENSION IS MILLIMETER  
VALUES IN [ ] ARE INCHES  
DIMENSIONS IN ( ) FOR REFERENCE ONLY

**Small Outline (SO-8) Package (M)**  
**Order Number LM285M-2.5, LM285BXM-2.5, LM285BYM-2.5,**  
**LM385M-2.5, LM385BM-2.5, LM385BXM-2.5 or LM385BYM-2.5**  
**NS Package Number M08A**

M08A (Rev L)



DIMENSIONS ARE IN MILLIMETERS

Z03A (Rev G)

**TO-92 Plastic Package (Z)**  
**Order Number LM285Z-2.5, LM285BXZ-2.5, LM285BYZ-2.5,**  
**LM385Z-2.5, LM385AXZ-2.5, LM385AYZ-2.5,**  
**LM385BZ-2.5, LM385BXZ-2.5 or LM385BYZ-2.5**  
**NS Package Number Z03A**

# Notes

LM185-2.5/LM285-2.5/LM385-2.5



## Notes

For more National Semiconductor product information and proven design tools, visit the following Web sites at:

Products		Design Support	
Amplifiers	<a href="http://www.national.com/amplifiers">www.national.com/amplifiers</a>	WEBENCH	<a href="http://www.national.com/webench">www.national.com/webench</a>
Audio	<a href="http://www.national.com/audio">www.national.com/audio</a>	Analog University	<a href="http://www.national.com/AU">www.national.com/AU</a>
Clock Conditioners	<a href="http://www.national.com/timing">www.national.com/timing</a>	App Notes	<a href="http://www.national.com/appnotes">www.national.com/appnotes</a>
Data Converters	<a href="http://www.national.com/adc">www.national.com/adc</a>	Distributors	<a href="http://www.national.com/contacts">www.national.com/contacts</a>
Displays	<a href="http://www.national.com/displays">www.national.com/displays</a>	Green Compliance	<a href="http://www.national.com/quality/green">www.national.com/quality/green</a>
Ethernet	<a href="http://www.national.com/ethernet">www.national.com/ethernet</a>	Packaging	<a href="http://www.national.com/packaging">www.national.com/packaging</a>
Interface	<a href="http://www.national.com/interface">www.national.com/interface</a>	Quality and Reliability	<a href="http://www.national.com/quality">www.national.com/quality</a>
LVDS	<a href="http://www.national.com/lvds">www.national.com/lvds</a>	Reference Designs	<a href="http://www.national.com/refdesigns">www.national.com/refdesigns</a>
Power Management	<a href="http://www.national.com/power">www.national.com/power</a>	Feedback	<a href="http://www.national.com/feedback">www.national.com/feedback</a>
Switching Regulators	<a href="http://www.national.com/switchers">www.national.com/switchers</a>		
LDOs	<a href="http://www.national.com/lido">www.national.com/lido</a>		
LED Lighting	<a href="http://www.national.com/led">www.national.com/led</a>		
PowerWise	<a href="http://www.national.com/powerwise">www.national.com/powerwise</a>		
Serial Digital Interface (SDI)	<a href="http://www.national.com/sdi">www.national.com/sdi</a>		
Temperature Sensors	<a href="http://www.national.com/tempsensors">www.national.com/tempsensors</a>		
Wireless (PLL/VCO)	<a href="http://www.national.com/wireless">www.national.com/wireless</a>		

THE CONTENTS OF THIS DOCUMENT ARE PROVIDED IN CONNECTION WITH NATIONAL SEMICONDUCTOR CORPORATION ("NATIONAL") PRODUCTS. NATIONAL MAKES NO REPRESENTATIONS OR WARRANTIES WITH RESPECT TO THE ACCURACY OR COMPLETENESS OF THE CONTENTS OF THIS PUBLICATION AND RESERVES THE RIGHT TO MAKE CHANGES TO SPECIFICATIONS AND PRODUCT DESCRIPTIONS AT ANY TIME WITHOUT NOTICE. NO LICENSE, WHETHER EXPRESS, IMPLIED, ARISING BY ESTOPPEL OR OTHERWISE, TO ANY INTELLECTUAL PROPERTY RIGHTS IS GRANTED BY THIS DOCUMENT.

TESTING AND OTHER QUALITY CONTROLS ARE USED TO THE EXTENT NATIONAL DEEMS NECESSARY TO SUPPORT NATIONAL'S PRODUCT WARRANTY. EXCEPT WHERE MANDATED BY GOVERNMENT REQUIREMENTS, TESTING OF ALL PARAMETERS OF EACH PRODUCT IS NOT NECESSARILY PERFORMED. NATIONAL ASSUMES NO LIABILITY FOR APPLICATIONS ASSISTANCE OR BUYER PRODUCT DESIGN. BUYERS ARE RESPONSIBLE FOR THEIR PRODUCTS AND APPLICATIONS USING NATIONAL COMPONENTS. PRIOR TO USING OR DISTRIBUTING ANY PRODUCTS THAT INCLUDE NATIONAL COMPONENTS, BUYERS SHOULD PROVIDE ADEQUATE DESIGN, TESTING AND OPERATING SAFEGUARDS.

EXCEPT AS PROVIDED IN NATIONAL'S TERMS AND CONDITIONS OF SALE FOR SUCH PRODUCTS, NATIONAL ASSUMES NO LIABILITY WHATSOEVER, AND NATIONAL DISCLAIMS ANY EXPRESS OR IMPLIED WARRANTY RELATING TO THE SALE AND/OR USE OF NATIONAL PRODUCTS INCLUDING LIABILITY OR WARRANTIES RELATING TO FITNESS FOR A PARTICULAR PURPOSE, MERCHANTABILITY, OR INFRINGEMENT OF ANY PATENT, COPYRIGHT OR OTHER INTELLECTUAL PROPERTY RIGHT.

### LIFE SUPPORT POLICY

**NATIONAL'S PRODUCTS ARE NOT AUTHORIZED FOR USE AS CRITICAL COMPONENTS IN LIFE SUPPORT DEVICES OR SYSTEMS WITHOUT THE EXPRESS PRIOR WRITTEN APPROVAL OF THE CHIEF EXECUTIVE OFFICER AND GENERAL COUNSEL OF NATIONAL SEMICONDUCTOR CORPORATION.** As used herein:

Life support devices or systems are devices which (a) are intended for surgical implant into the body, or (b) support or sustain life and whose failure to perform when properly used in accordance with instructions for use provided in the labeling can be reasonably expected to result in a significant injury to the user. A critical component is any component in a life support device or system whose failure to perform can be reasonably expected to cause the failure of the life support device or system or to affect its safety or effectiveness.

National Semiconductor and the National Semiconductor logo are registered trademarks of National Semiconductor Corporation. All other brand or product names may be trademarks or registered trademarks of their respective holders.

Copyright© 2008 National Semiconductor Corporation

For the most current product information visit us at [www.national.com](http://www.national.com)



**National Semiconductor  
Americas Technical  
Support Center**  
Email:  
[new.feedback@nsc.com](mailto:new.feedback@nsc.com)  
Tel: 1-800-272-9959

**National Semiconductor Europe  
Technical Support Center**  
Email: [europe.support@nsc.com](mailto:europe.support@nsc.com)  
German Tel: +49 (0) 180 5010 771  
English Tel: +44 (0) 870 850 4288

**National Semiconductor Asia  
Pacific Technical Support Center**  
Email: [ap.support@nsc.com](mailto:ap.support@nsc.com)

**National Semiconductor Japan  
Technical Support Center**  
Email: [jpn.feedback@nsc.com](mailto:jpn.feedback@nsc.com)