

FSHDMI08 — Low-Voltage, Wide-Bandwidth, HDMI Switch with DDC and CEC Multiplexer

Features

- -25db Non-Adjacent Channel Crosstalk at 1.65Gbps
- Low Signal Loss: -1.5dBg attenuation at 1.65Gbps
- Isolation Ground Between Channels
- Fast Turn-on/off Time (< 6ns)
- 1.65Gbps Throughput
- 8kV ESD Protection
- Low Skew: Intra-pair <90ps, Inter-pair < 150ps
- Low Power Consumption: 1µA Maximum

Applications

- XGA and 720p DVI and HDMI Video Source Selection

Description

The FSHDMI08 is a wide-bandwidth switch designed for routing HDMI link data, clock, and the relevant DDC and CEC control signals that support the data rate up to 1.65Gbps per channel for UXGA resolution. Applications include LCD TVs, DVD, set-top boxes, and notebook designs with multiple digital video interfaces.

This switch allows the passage of HDMI link signals with ultra-low non-adjacent channel crosstalk and ultra-low off isolation. This is critical to minimize ghost images between active video sources in video applications. The wide bandwidth of this switch allows the high-speed differential signal to pass through with minimal additive skew and phase jitter. The pinout supports an HDMI standard-A connector PCB layout.

IMPORTANT NOTE:

For additional information, please contact analogswitch@fairchildsemi.com.

Ordering Information

Order Number	Eco Status	Package Description	Packing Method
FSHDMI08MTDX	RoHS	56-Lead, Thin Shrink Small Outline Package (TSSOP), JEDEC MO-153, 6.1mm Wide	Tape and Reel

For Fairchild's definition of Eco Status, please visit: http://www.fairchildsemi.com/company/green/rohs_green.html.

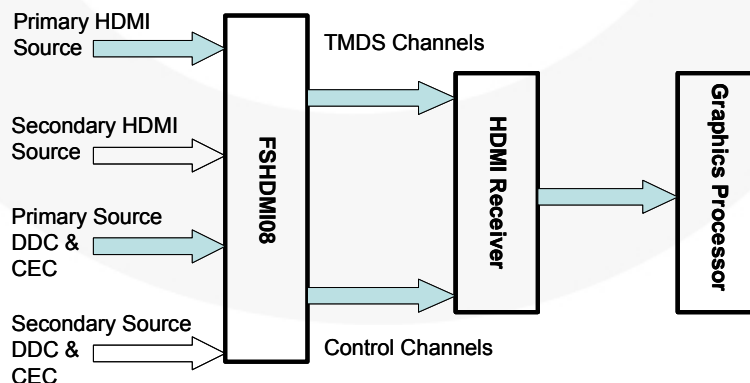


Figure 1. Single-Link HDMI Application

Functional Diagram

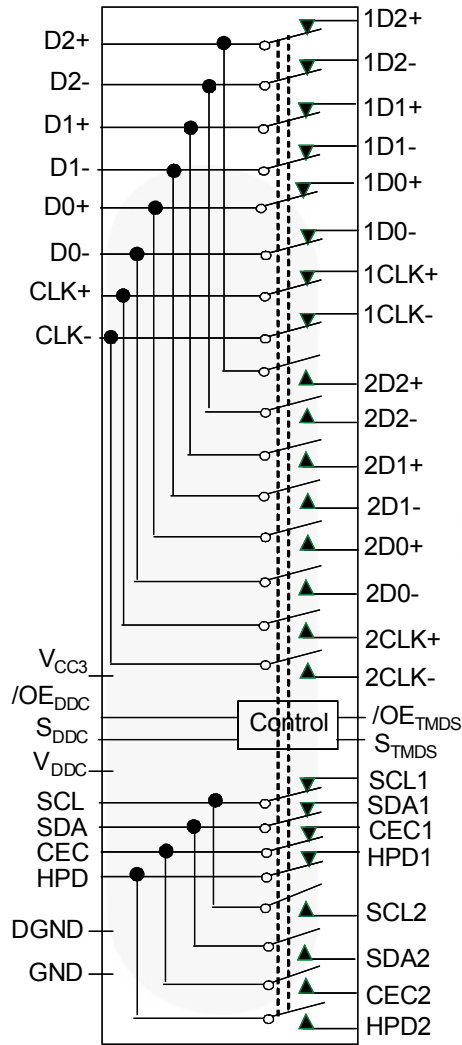


Figure 2. Functional Diagram

Pin Descriptions

Pin	Name	Description
1-4,6,7,11-14,16,17,47,48,50,51,53,54	1Dn+, 1Dn-, 2Dn+, 2Dn-, Dn+, Dn-	TMDS Data Channels
8,9,18,19,44,45	1CLK+, 1CLK-, 2CLK+, 2CLK-, CLK+, CLK-	TMDS Clock Channels
24,28,33	HPD1, HPD2, HPD	Hot Plug Detects
22,26,35	SCL1, SCL2, SCL	Serial Clock (DDC)
23,27,34	SDA1, SDA2, SDA	Serial Data (DDC)
21,25,36	CEC1, CEC2, CEC	Consumer Electronics Control (CEC)
29	V _{DDC}	DDC Power
20,39,40,55,56	V _{CC3}	TMDS Power
30	DGND	DDC/CEC GND
5,10,15,38,43,46,49,52	GND	GND
32,42	S _{TMDS} , S _{DDC}	Select Pins (TMDS, DDC)
31,41	/OE _{TMDS} , /OE _{DDC}	Output Enable (TMDS, DDC)

Pin Assignments

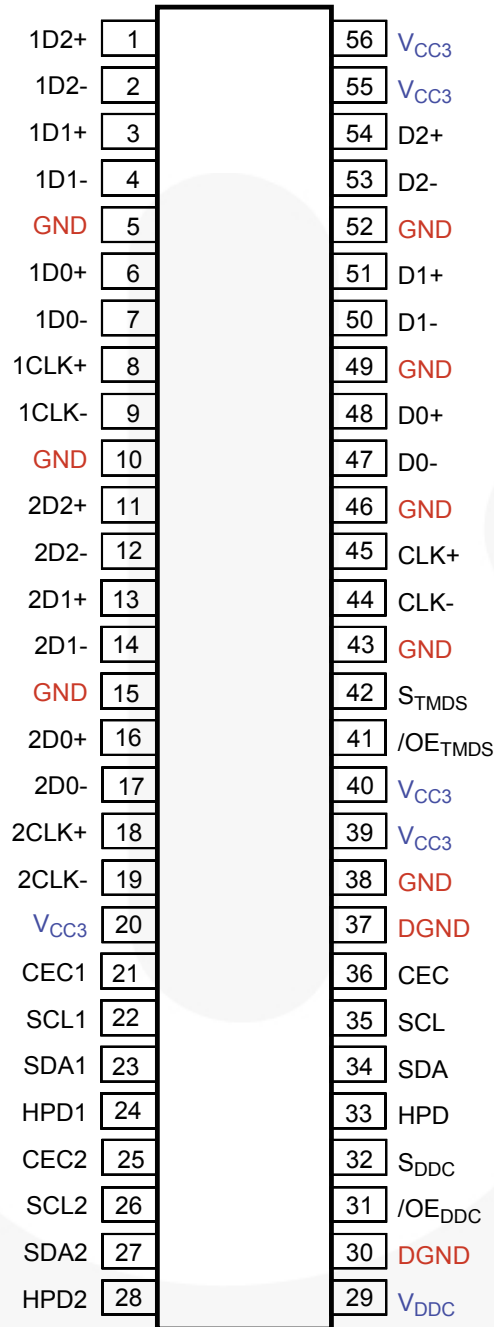


Figure 3. Pin Assignments

Truth Table

S _{TMDS} , S _{DDC}	/OE _{TMDS} , /OE _{DDC}	Function
Don't Care	Logic Level HIGH	All Ports Disconnected (Hi-Z)
Logic Level LOW	Logic Level LOW	1Dn+/1Dn-=Dn+/Dn-; 1CLK+/ 1CLK-=CLK+/CLK-; HPD1=HPD; SCL1=SCL; SDA1=SDA; CEC1=CEC
Logic Level HIGH	Logic Level LOW	2Dn+/2Dn-=Dn+/Dn-; 2CLK+/ 2CLK-=CLK+/CLK-; HPD2=HPD; SCL2=SCL; SDA2=SDA; CEC2=CEC

Absolute Maximum Ratings

Stresses exceeding the absolute maximum ratings may damage the device. The device may not function or be operable above the recommended operating conditions and stressing the parts to these levels is not recommended. In addition, extended exposure to stresses above the recommended operating conditions may affect device reliability. The absolute maximum ratings are stress ratings only.

Symbol	Parameter		Min.	Max.	Unit
V_{CC3}	Supply Voltage – TMD5 Channels		-0.5	4.6	V
V_{DDC}	Supply Voltage – 5V DDC		-0.5	6.0	V
$V_{SWTMD5}^{(1)}$	Switch I/O Voltage	1Dn+, 1Dn-, 2Dn+, 2Dn-, Dn+, Dn-, 1CLK+, 1CLK-, 2CLK+, 2CLK-, CLK+, CLK-	-0.5	$V_{CC3} + 0.3$	V
$V_{SWDDC}^{(1)}$	Switch I/O Voltage	HPD1, HPD2, HPD, SCL1, SCL2, SCL, SDA1, SDA2, SDA, CEC1, CEC2, CEC	-0.5	$V_{DDC} + 0.3$	V
$V_{CNTRLT}^{(1)}$	Control Input Voltage	S_{TMD5} , $/OE_{TMD5}$	-0.5	4.6	V
$V_{CNTRLD}^{(1)}$	Control Input Voltage	S_{DDC} , $/OE_{DDC}$	-0.5	6.0	V
I_{IK}	Input Clamp Diode Current			-50	mA
I_{SW}	Switch I/O Current (Continuous)			128	mA
T_{STG}	Storage Temperature Range		-65	+150	°C
T_J	Maximum Junction Temperature			+150	°C
T_L	Lead Temperature (Soldering, 10 Seconds)			+260	°C
ESD	Human Body Model (JEDEC: JESD22-A114)		I/O to GND	8.0	kV
			All Other Pins	2.5	
	Charged Device Model (JEDEC: JESD22-C101)			2.0	

Note:

- The input and output negative ratings may be exceeded if the input and output diode current ratings are observed.

Recommended Operating Conditions

The Recommended Operating Conditions table defines the conditions for actual device operation. Recommended operating conditions are specified to ensure optimal performance to the datasheet specifications. Fairchild does not recommend exceeding them or designing to absolute maximum ratings.

Symbol	Parameter	Min.	Max.	Unit
V_{CC3}	TMD5 Supply Voltage – 3V	3.0	4.3	V
V_{DDC}	DDC Supply Voltage	3.0	5.5	V
V_{CNTRLT}	Control Input Voltage – S_{TMD5} , $/OE_{TMD5}$	0	V_{CC3}	V
V_{CNTRLD}	Control Input Voltage – S_{DDC} , $/OE_{DDC}$	0	V_{DDC}	V
V_{SWTMD5}	Switch I/O Voltage for HDMI path	$V_{CC3} - 0.6$	V_{CC3}	V
V_{SWDDC}	Switch I/O Voltage for DDC path	0	V_{DDC}	V
T_A	Operating Temperature	-40	+85	°C
θ_{JA}	Thermal Resistance (Free Air)		+80	°C/W

DC Electrical Characteristics

All typical values are for $V_{CC3}=3.3V$ and $V_{DDC}=5.0V$ at $25^{\circ}C$ unless otherwise specified.

Symbol	Parameter	$V_{CC3} / V_{DDC} (V)$	Conditions	$T_A=-40^{\circ}C$ to $+85^{\circ}C$			Unit
				Min.	Typ.	Max.	
V_{IK}	Clamp Diode Voltage	$V_{CC3}=3.0$ $V_{DDC}=5.0$	$I_{IN}=-18mA$			-1.2	V
V_{IH}	Control Input Voltage High	$V_{CC3}=3.0$ to 3.6 $V_{DDC}=3.0$ to 5.5		2			V
V_{IL}	Control Input Voltage Low	$V_{CC3}=3.0$ to 3.6 $V_{DDC}=3.0$ to 5.5				0.8	V
I_{OZTMDS}	Off State Leakage TMDs Channels	$V_{CC3}=3.6$ $V_{DDC}=5.5$	$0 \leq V_{SWTMDs} \leq V_{CC3}$ Figure 5	-1		1	μA
I_{OZDDC}	Off State Leakage DDC/CEC Channels	$V_{CC3}=3.6$ $V_{DDC}=5.5$	$0 \leq V_{SWDDC} \leq V_{DDC}$ Figure 5	-5		5	μA
I_{INTMDS}	Control Input Leakage ($S_{TMDs}, /OE_{TMDs}$)	$V_{CC3}=3.6$ $V_{DDC}=5.5$	$V_{SWDDC}=0$ to V_{CC3}	-1		1	μA
I_{INDDC}	Control Input Leakage ($S_{DDC}, /OE_{DDC}$)	$V_{CC3}=3.6$ $V_{DDC}=5.5$	$V_{SWDDC}=0$ to V_{DDC}	-1		1	μA
I_{CC3}	Quiescent Supply Current -TMDs	$V_{CC3}=3.6$ $V_{DDC}=5.5$	$V_{SWTMDs}=V_{CC3}-0.6$ or $V_{CC3}, I_{OUT}=0$			2	μA
I_{DDC}	Quiescent Supply Current -DDC	$V_{CC3}=3.6$ $V_{DDC}=5.5$	$V_{SWDDC}=0$ or $V_{DDC}, I_{OUT}=0$			2	μA
ΔI_{CCT3}	Increase in I_{CC3}	$V_{CC3}=3.6$ $V_{CC5}=5.5$	One input at $3.0V$; Other inputs at $V_{CC3}-0.6$ or V_{CC3}			100	μA
ΔI_{CCTD}	Increase in I_{DDC}	$V_{CC3}=3.6$ $V_{CC5}=5.5$	One input at $3.0V$; Other inputs at V_{DDC}			15	μA

AC Electrical Characteristics

All typical values are for $V_{CC3}=3.3V$ and $V_{DDC}=5.0V$ at $25^{\circ}C$ unless otherwise specified.

Symbol	Parameter	V_{CC3}/V_{DDC} (V)	Conditions	$T_A=-40^{\circ}C$ to $+85^{\circ}C$			Unit
				Min.	Typ.	Max.	
TMDS Channels							
t_{ONTMDS}	Turn-On Time S, /OE to Output	$V_{CC3}=3.0$ to 3.6 $V_{DDC}=5.0$	$V_{SWTMDS}=V_{CC3}-0.5$, $R_{PU}=50\Omega$, $C_L=5pf$ Figure 6, Figure 7		4	6	ns
$t_{OFFTMDS}$	Turn-Off Time S to Output	$V_{CC3}=3.0$ to 3.6 $V_{DDC}=5.0$	$V_{SWTMDS}=V_{CC3}-0.5$, $R_{PU}=50\Omega$, $C_L=5pf$ Figure 6, Figure 7		2	4	
$t_{BBM-TMDS}$	Break-Before-Make Time ⁽²⁾	$V_{CC3}=3.0$ to 3.6 $V_{DDC}=5.0$	$V_{SWTMDS}=V_{CC3}-0.5$, $R_{PU}=50\Omega$, $C_L=5pf$ Figure 15	1			ns
t_{pd} (t_{pLH} , t_{pHL})	Switch Propagation Delay ⁽²⁾	$V_{CC3}=3.0$ to 3.6 $V_{DDC}=5.0$	$R_{PU}=50\Omega$, $C_L=5pf$ Figure 14			400	ps
t_{jitter}	Total Jitter (DJ+RJ)	$V_{CC3}=3.0$ to 3.6 $V_{DDC}=5.0$	$f=165MHz$ clock with 50% duty cycle, $R_{PU}=50\Omega$, $C_L=5pf$ Figure 14			90	ps
t_{ratio}	Duty Cycle Ratio	$V_{CC3}=3.0$ to 3.6 $V_{DDC}=5.0$	$f=165MHz$ clock with 50% duty cycle, $R_{PU}=50\Omega$, $C_L=5pf$ Figure 14	40	50	60	%
t_{SK1}	Intra-Pair Skew (TMDS Cn+ to Cn-)	$V_{CC3}=3.0$ to 3.6 $V_{DDC}=5.0$	$f=1.65Gbps$, $2^{23}-1$ PRBS, $R_{PU}=50\Omega$, $C_L=5pf$ Figure 14		55	100	ps
t_{SK2}	Inter-Pair Skew (Between any two TMDS switch pair paths)	$V_{CC3}=3.0$ to 3.6 $V_{DDC}=5.0$	$f=1.65Gbps$, $2^{23}-1$ PRBS, $R_{PU}=50\Omega$, $C_L=5pf$ Figure 14		90	160	ps
$OIRR_{TMDS}$	Off-Isolation (TMDS Channels)	$V_{CC3}=3.0$ to 3.6 $V_{DDC}=5.0$	$R_T=50\Omega$, $f=370MHz$ Figure 10	-30			dB
		$V_{CC3}=3.0$ to 3.6 $V_{DDC}=5.0$	$R_T=50\Omega$, $f=825MHz$ Figure 10	-25			
$Xtalk_{TMDS}$	Non-Adjacent Channel Crosstalk (TMDS Channels)	$V_{CC3}=3.0$ to 3.6 $V_{DDC}=5.0$	$R_T=50\Omega$, $f=370MHz$ Figure 11	-25			dB
		$V_{CC3}=3.0$ to 3.6 $V_{DDC}=5.0$	$R_T=50\Omega$, $f=825MHz$ Figure 11	-20			
f_{max}	Maximum Throughput ⁽²⁾	$V_{CC3}=3.3$ $V_{DDC}=5.0$			1.65		Gbps
Control Channels – DDC / CEC							
t_{ONDDC}	Turn-On Time; S_{DDC} , /OE _{DDC} to Output	$V_{CC3}=3.3$ $V_{DDC}=3.0$ to 5.5	$V_{SWDDC}=2V$, $R_{DDC}=1k\Omega$, $C_L=5pf$			28	ns
t_{OFFDDC}	Turn-Off Time; S_{DDC} , /OE _{DDC} to Output	$V_{CC3}=3.3$ $V_{DDC}=3.0$ to 5.5	$V_{SWDDC}=2V$, $R_L=1k\Omega$, $C_L=5pf$			24	ns

Note:

- Guaranteed by characterization, not production tested.

Test Diagrams

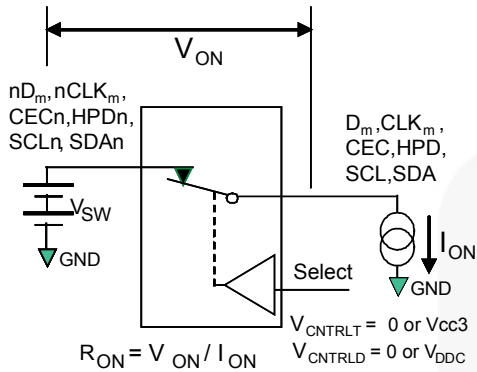
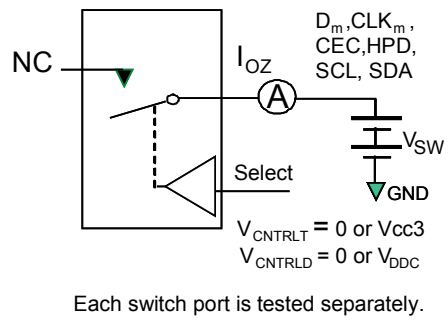


Figure 4. On Resistance



Each switch port is tested separately.

Figure 5. Off Leakage

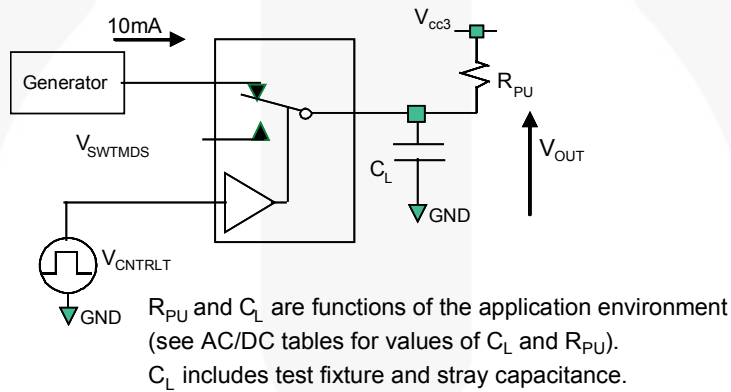


Figure 6. TMSD Test Circuit Load

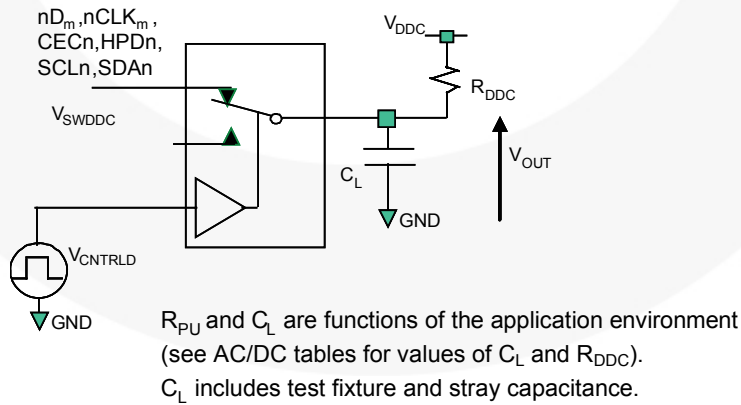


Figure 7. DDC Test Circuit Load

Test Diagrams

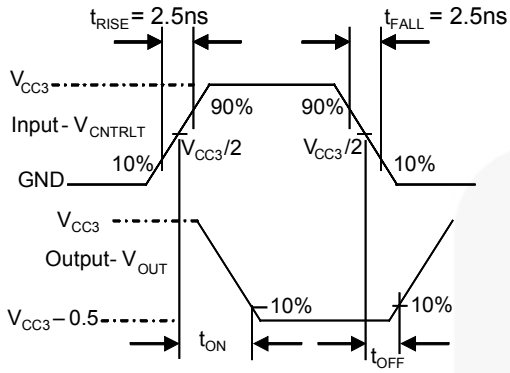


Figure 8. Turn-on / Turn-off Waveforms

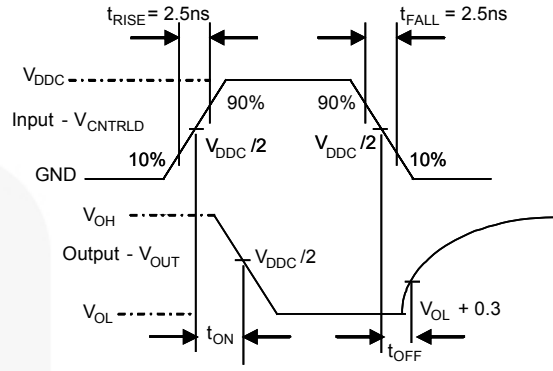
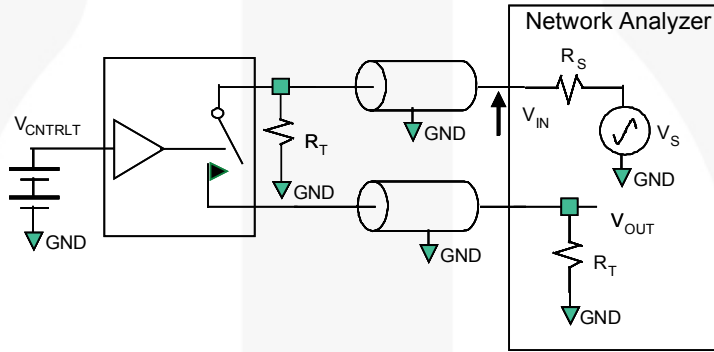
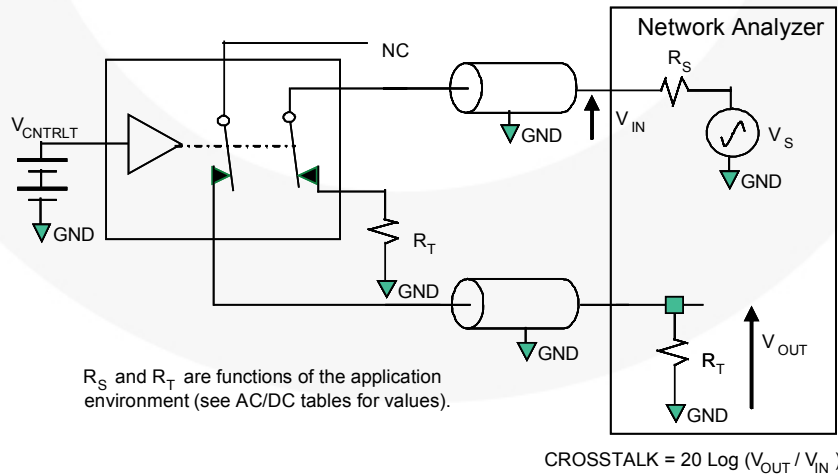


Figure 9. DDC Turn-on / Turn-off Waveforms



$$\text{Off Isolation} = 20 \text{ Log} (V_{\text{OUT}} / V_{\text{IN}})$$

Figure 10. Channel Off Isolation



R_S and R_T are functions of the application environment (see AC/DC tables for values).

$$\text{CROSSTALK} = 20 \text{ Log} (V_{\text{OUT}} / V_{\text{IN}})$$

Figure 11. Non-Adjacent Channel-to-Channel Crosstalk

Test Diagrams

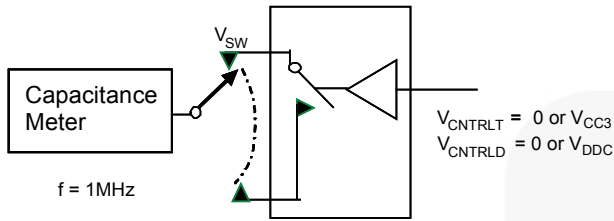


Figure 12. Channel Off Capacitance

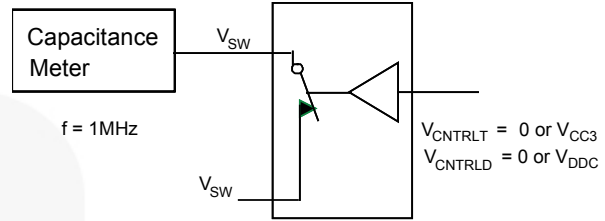


Figure 13. Channel On Capacitance

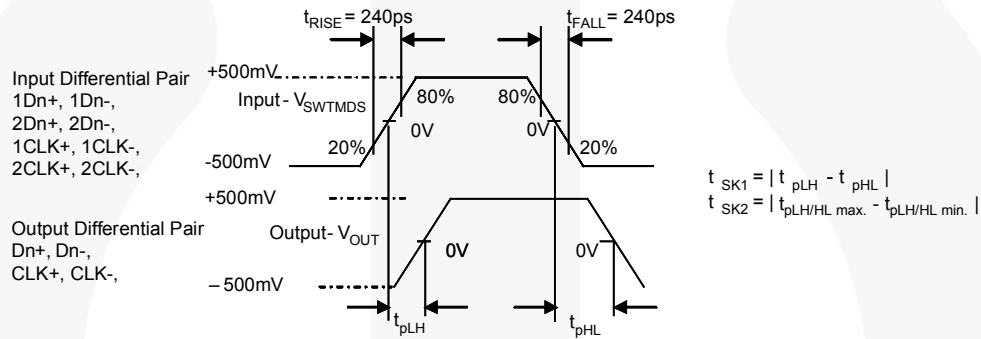


Figure 14. Intra- and Inter-Pair Skew t_{pd}

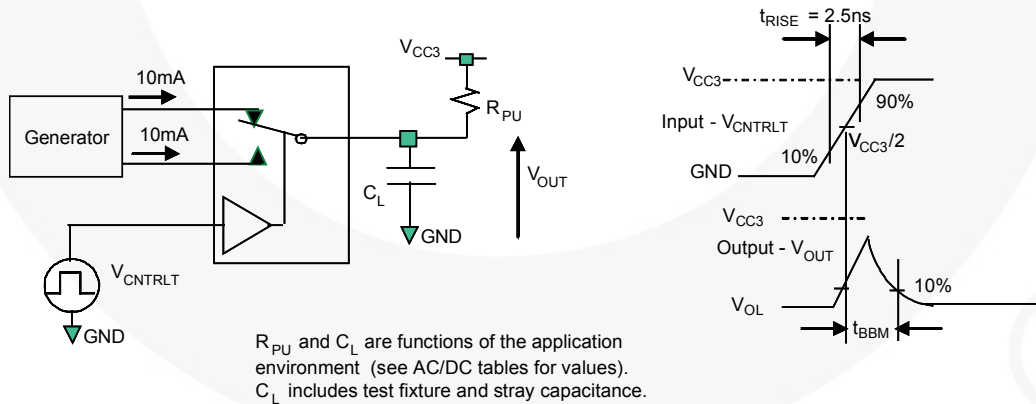
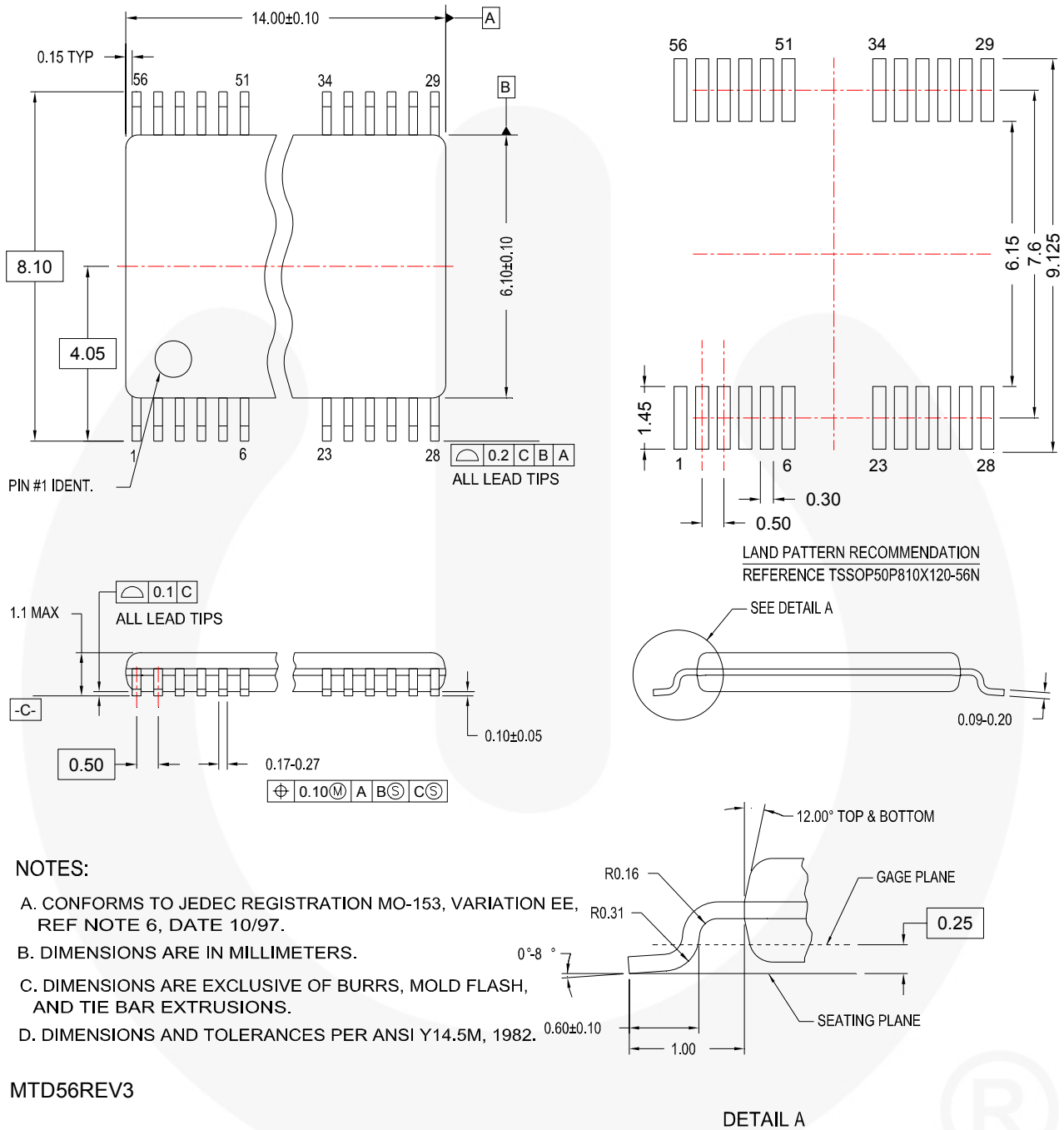


Figure 15. Break Before Make

Physical Dimensions



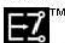
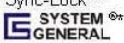
Package drawings are provided as a service to customers considering Fairchild components. Drawings may change in any manner without notice. Please note the revision and/or date on the drawing and contact a Fairchild Semiconductor representative to verify or obtain the most recent revision. Package specifications do not expand the terms of Fairchild's worldwide terms and conditions, specifically the warranty therein, which covers Fairchild products.

Always visit Fairchild Semiconductor's online packaging area for the most recent package drawings:
<http://www.fairchildsemi.com/packaging/>



TRADEMARKS

The following includes registered and unregistered trademarks and service marks, owned by Fairchild Semiconductor and/or its global subsidiaries, and is not intended to be an exhaustive list of all such trademarks.

- | | | | |
|-----------------------------------------------------------------------------------|-----------------------------------------------------------------------------------|-----------------------------------------------------------------------------------|-------------------------------------------------------------------------------------|
| AccuPower™ | FPS™ | PowerTrench® | The Power Franchise® |
| Auto-SPM™ | F-PFS™ | PowerXS™ | the power franchise |
| Build it Now™ | FRFET® | Programmable Active Droop™ | TinyBoost™ |
| CorePLUS™ | Global Power Resource™ | QFET® | TinyBuck™ |
| CorePOWER™ | Green FPS™ | QST™ | TinyCalc™ |
| CROSSVOLT™ | Green FPS™ e-Series™ | Quiet Series™ | TinyLogic® |
| CTL™ | Gmax™ | RapidConfigure™ | TINYOPTO™ |
| Current Transfer Logic™ | GTO™ |  | TinyPower™ |
| EcoSPARK® | IntelliMAX™ | Saving our world, 1mW/W/kW at a time™ | TinyPVM™ |
| EfficientMax™ | ISOPLANAR™ | SignalWise™ | TinyWire™ |
| EZSWTCH™ | MegaBuck™ | SmartMax™ | TriFault Detect™ |
|  | MICROCOUPLER™ | SMART START™ | TRUECURRENT™ |
|  | MicroFET™ | SPM® | µSerDes™ |
| Fairchild® | MicroPak™ | STEALTH™ |  |
| Fairchild Semiconductor® | MillerDrive™ | SuperFET™ | UHC® |
| FACT Quiet Series™ | MotionMax™ | SuperSOT™3 | Ultra FRFET™ |
| FACT® | Motion-SPM™ | SuperSOT™6 | UniFET™ |
| FAST® | OPTOLOGIC® | SuperSOT™8 | VCX™ |
| FastvCore™ | OPTOPLANAR® | SupreMOS™ | VisualMax™ |
| FETBench™ |  | SyncFET™ | XS™ |
| FlashWriter® | PDP-SPM™ | Sync-Lock™ | |
| | Power-SPM™ |  | |

* Trademarks of System General Corporation, used under license by Fairchild Semiconductor.

DISCLAIMER

FAIRCHILD SEMICONDUCTOR RESERVES THE RIGHT TO MAKE CHANGES WITHOUT FURTHER NOTICE TO ANY PRODUCTS HEREIN TO IMPROVE RELIABILITY, FUNCTION, OR DESIGN. FAIRCHILD DOES NOT ASSUME ANY LIABILITY ARISING OUT OF THE APPLICATION OR USE OF ANY PRODUCT OR CIRCUIT DESCRIBED HEREIN; NEITHER DOES IT CONVEY ANY LICENSE UNDER ITS PATENT RIGHTS, NOR THE RIGHTS OF OTHERS. THESE SPECIFICATIONS DO NOT EXPAND THE TERMS OF FAIRCHILD'S WORLDWIDE TERMS AND CONDITIONS, SPECIFICALLY THE WARRANTY THEREIN, WHICH COVERS THESE PRODUCTS.

LIFE SUPPORT POLICY

FAIRCHILD'S PRODUCTS ARE NOT AUTHORIZED FOR USE AS CRITICAL COMPONENTS IN LIFE SUPPORT DEVICES OR SYSTEMS WITHOUT THE EXPRESS WRITTEN APPROVAL OF FAIRCHILD SEMICONDUCTOR CORPORATION.

As used herein:

- Life support devices or systems are devices or systems which, (a) are intended for surgical implant into the body or (b) support or sustain life, and (c) whose failure to perform when properly used in accordance with instructions for use provided in the labeling, can be reasonably expected to result in a significant injury of the user.
- A critical component in any component of a life support, device, or system whose failure to perform can be reasonably expected to cause the failure of the life support device or system, or to affect its safety or effectiveness.

ANTI-COUNTERFEITING POLICY

Fairchild Semiconductor Corporation's Anti-Counterfeiting Policy. Fairchild's Anti-Counterfeiting Policy is also stated on our external website, www.fairchildsemi.com, under Sales Support.

Counterfeiting of semiconductor parts is a growing problem in the industry. All manufacturers of semiconductor products are experiencing counterfeiting of their parts. Customers who inadvertently purchase counterfeit parts experience many problems such as loss of brand reputation, substandard performance, failed applications, and increased cost of production and manufacturing delays. Fairchild is taking strong measures to protect ourselves and our customers from the proliferation of counterfeit parts. Fairchild strongly encourages customers to purchase Fairchild parts either directly from Fairchild or from Authorized Fairchild Distributors who are listed by country on our web page cited above. Products customers buy either from Fairchild directly or from Authorized Fairchild Distributors are genuine parts, have full traceability, meet Fairchild's quality standards for handling and storage and provide access to Fairchild's full range of up-to-date technical and product information. Fairchild and our Authorized Distributors will stand behind all warranties and will appropriately address any warranty issues that may arise. Fairchild will not provide any warranty coverage or other assistance for parts bought from Unauthorized Sources. Fairchild is committed to combat this global problem and encourage our customers to do their part in stopping this practice by buying direct or from authorized distributors.

PRODUCT STATUS DEFINITIONS

Definition of Terms

Datasheet Identification	Product Status	Definition
Advance Information	Formative / In Design	Datasheet contains the design specifications for product development. Specifications may change in any manner without notice.
Preliminary	First Production	Datasheet contains preliminary data; supplementary data will be published at a later date. Fairchild Semiconductor reserves the right to make changes at any time without notice to improve design.
No Identification Needed	Full Production	Datasheet contains final specifications. Fairchild Semiconductor reserves the right to make changes at any time without notice to improve the design.
Obsolete	Not In Production	Datasheet contains specifications on a product that is discontinued by Fairchild Semiconductor. The datasheet is for reference information only.

Rev. I42