

**FEATURES**

- SMPTE 259M-C compliant (270Mb/s)
- automatic cable equalization (typically greater than 350m of high quality cable)
- serial data outputs muted and serial clock remains active when input data is lost
- operation independent of SAV/EAV sync signals
- signal strength indicator output
- carrier detect with programmable threshold level
- power savings mode (output serial clock disable)
- large IJT, typically 0.56UI beyond loop bandwidth
- robust lock detect

**APPLICATIONS**

Cable equalization plus clock and data recovery for all high speed serial digital interface applications involving SMPTE 259M-C.

**DESCRIPTION**

The GS7025 provides automatic cable equalization and high performance clock and data recovery for serial digital signals. The GS7025 receives either single-ended or differential serial digital data and outputs differential clock and retimed data signals at PECL levels (800mV). The on-board cable equalizer provides up to 35dB of gain at 135MHz which typically results in equalization of greater than 350m of high quality cable at 270Mb/s.

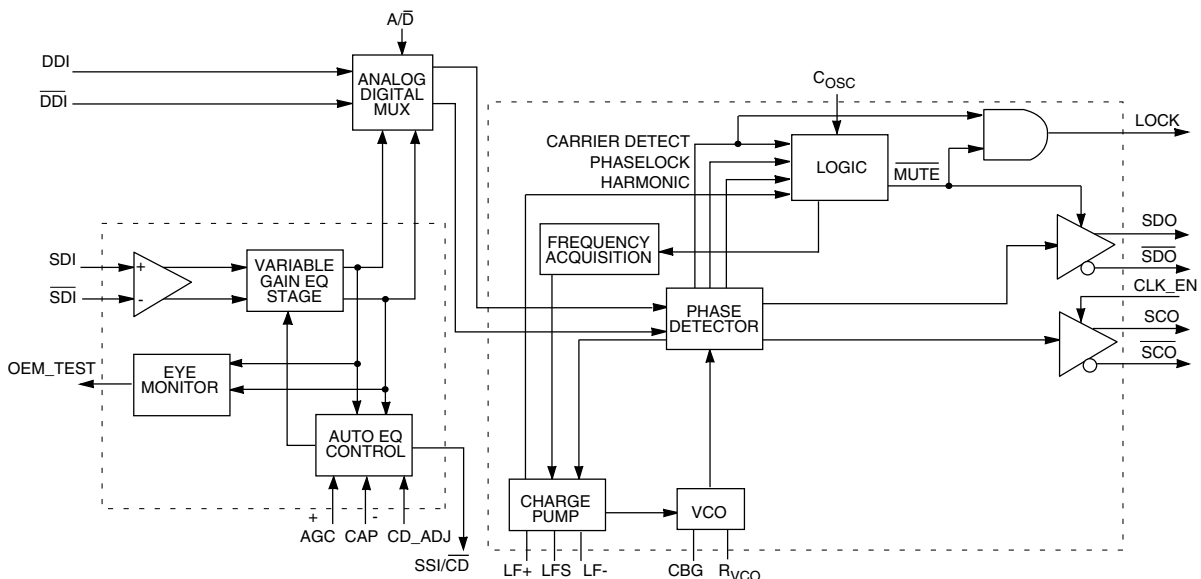
The GS7025 requires only one external resistor to set the VCO centre frequency and provides adjustment free operation.

The GS7025 has dedicated pins to indicate signal strength, carrier detect, and LOCK. Optional external resistors allow the carrier detect threshold level to be customized to the user's requirement. In addition, the GS7025 provides an 'Output Eye Monitor Test' (OEM\_TEST) for diagnostic testing of signal integrity after equalization, prior to reslicing. The serial clock outputs can be disabled to reduce power. The GS7025 operates from a single +5 or -5 volt supply.

**ORDERING INFORMATION**

PART NUMBER	PACKAGE	TEMPERATURE
GS7025-CQM	44 pin MQFP Tray	0°C to 70°C
GS7025-CTM	44 pin MQFP Tape	0°C to 70°C
GS7025-CQME3	44 pin MQFP Tray	0°C to 70°C
GS7025-CTME3	44 pin MQFP Tape	0°C to 70°C

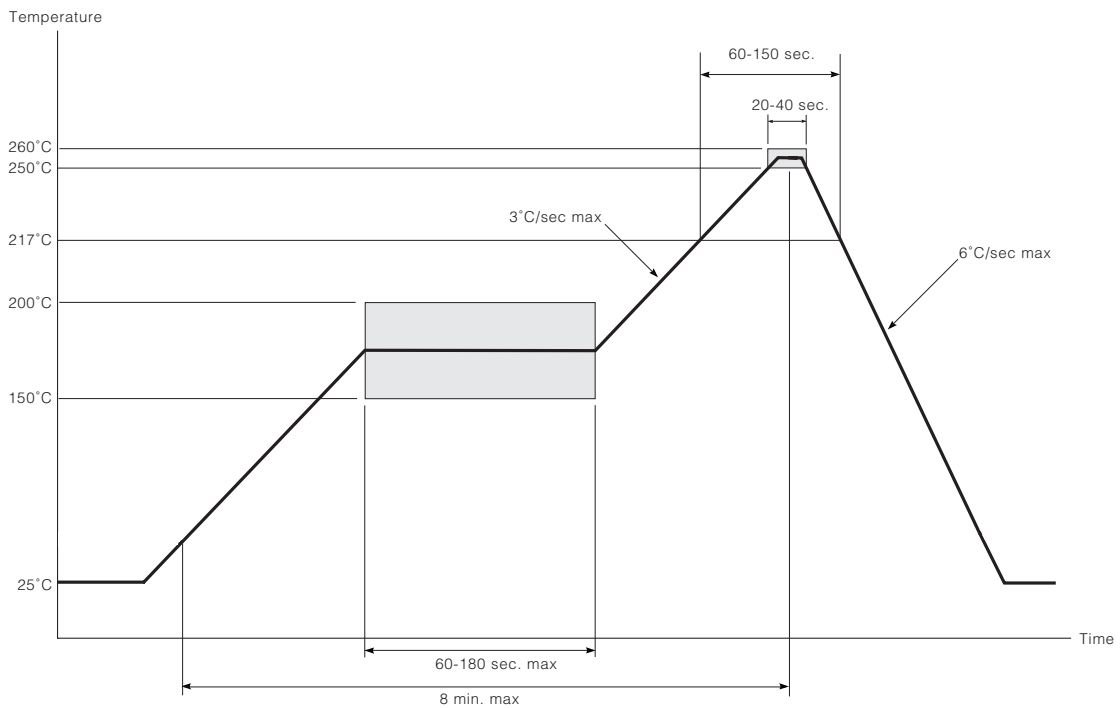
**Note:** Any RoHS claims refer only to the E3 part numbers.



**BLOCK DIAGRAM**

**ABSOLUTE MAXIMUM RATINGS**

PARAMETER	VALUE
Supply Voltage ( $V_S$ )	5.5V
Input Voltage Range (any input)	$V_{CC} + 0.5$ to $V_{EE} - 0.5V$
Operating Temperature Range	$0^{\circ}C \leq T_A \leq 70^{\circ}C$
Storage Temperature Range	$-65^{\circ}C \leq T_S \leq 150^{\circ}C$
Lead Temperature (soldering, 10 sec)	260°C
Moisture Sensitivity Level	3



**MAXIMUM PB-FREE SOLDER REFLOW PROFILE**

## DC ELECTRICAL CHARACTERISTICS

$V_{CC} = 5.0V$ ,  $T_A = 0^\circ - 70^\circ C$  unless otherwise stated,  $R_{LF} = 1.8k$ ,  $C_{LF1} = 15nF$ ,  $C_{LF2} = 3.3pF$

PARAMETER	CONDITION	MIN	TYPICAL <sup>1</sup>	MAX	UNITS	NOTES	TEST LEVEL
Supply Voltage		4.75	5	5.25	V		3
Supply Current	CLK_EN = 0	-	115	-	mA		9
	CLK_EN = 1	-	125	-	mA		3
SDI Common Mode Voltage		-	2.4	-	V		3
DDI/DDI Common Mode Input Voltage Range		$V_{EE} + (V_{DIFF}/2)$	0.4 to 4.6	$V_{CC} - (V_{DIFF}/2)$	V	2	3
DDI/DDI Differential Input Drive		200	800	2000	mV		3
SSI/CD Output Current	High, 0m $I_{OH} = -10\mu A$	-	3	-	V		3
	High, 300m $I_{OH} = -10\mu A$	-	2.1	-	V		3
OEM_TEST Bias Potential	50Ω	-	4.75	-	V	4	3
A/D Input Voltage	High	2.3	-	-	V		3
	Low	-	-	0.8			
RSV1, IN_ENABLE Input Voltage	High	2.0	-	-	V		3
	Low	-	-	0.8			
CLK_EN Input Voltage	High	2.5	-	-	V		3
	Low	-	-	0.8			
LOCK Output Low Voltage	$I_{OL} = 500\mu A$		0.25	0.4	V	3	1
CLK_EN Source Current	Low, $V_{IL} = 0V$	-	26	55	μA		1

### NOTES

1. TYPICAL - measured on characterization board.
2.  $V_{DIFF}$  is the differential input signal swing.
3. LOCK is an open collector output and requires an external pullup resistor.
4. If OEM\_TEST is permanently enabled, operating temperature range is limited from 0°C to 60°C inclusive.

### TEST LEVELS

1. Production test at room temperature and nominal supply voltage with guardbands for supply and temperature ranges.
2. Production test at room temperature and nominal supply voltage with guardbands for supply and temperature ranges using correlated test.
3. Production test at room temperature and nominal supply voltage.
4. QA sample test.
5. Calculated result based on Level 1,2, or 3.
6. Not tested. Guaranteed by design simulations.
7. Not tested. Based on characterization of nominal parts.
8. Not tested. Based on existing design/characterization data of similar product.
9. Indirect test.

## AC ELECTRICAL CHARACTERISTICS

$V_{CC} = 5.0V$ ,  $V_{EE} = 0V$ ,  $T_A = 0^\circ - 70^\circ C$  unless otherwise stated,  $R_{LF} = 1.8k$ ,  $C_{LF1} = 15nF$ ,  $C_{LF2} = 3.3pF$

PARAMETER	CONDITIONS	MIN	TYPICAL <sup>1</sup>	MAX	UNITS	NOTES	TEST LEVEL
Serial Data Rate	SDI	-	270 (only)	-	Mb/s		3
Maximum Equalizer Gain (see Figure 3)	@ 135MHz	-	35	-	dB		6
Additive Jitter [Pseudorandom ( $2^{23} - 1$ )]	270Mb/s, 300m (Belden 8281)	-	300	-	ps p-p	2, 7	9
Intrinsic Jitter [Pseudorandom ( $2^{23} - 1$ )]	270Mb/s	-	185	-	ps p-p	2, 6	4
Intrinsic Jitter [Pathological (SDI checkfield)]	270Mb/s	-	462	-	ps p-p	2, 6	3
Input Jitter Tolerance	270Mb/s	0.40	0.56	-	UI p-p	3, 6	9
Lock Time - Synchronous Switch	$t_{switch} < 0.5\mu s$ , 270Mb/s	-	1	-	$\mu s$	4	7
	$0.5\mu s < t_{switch} < 10ms$	-	1	-	ms		
	$t_{switch} > 10ms$	-	4	-	ms		
SDO Mute Time		0.5	1	2	$\mu s$	5	7
SDO to SCO Synchronization		-200	0	200	ps		7
SDO, SCO Output Signal Swing	75 $\Omega$ DC load	600	800	1000	mV p-p		1
SDO, SCO Rise & Fall times	20%-80%	200	300	400	ps		7
SDI/ $\overline{SDI}$ Input Resistance		-	10	-	k $\Omega$	7	6
SDI/ $\overline{SDI}$ Input Capacitance		-	1.0	-	pF	7	6
Carrier Detect Response Time	Carrier Applied	-	3	-	$\mu s$	7, 8	6
	Carrier Removed	-	30	-			

### NOTES

1. TYPICAL - measured on characterization board.
2. Characterized 6 sigma rms.
3. IJT measured with sinusoidal modulation beyond Loop Bandwidth (at 6.5MHz).
4. Synchronous switching refers to switching the input data from one source to another source which is at the same data rate (ie. line 10 switching for component NTSC).
5. Carrier Loss Time refers to the response of the SDO output from valid re-clocked input data to mute mode when the input signal is removed.
6. Using the DDI input,  $A/\overline{D}=0$ .
7. Using the SDI input,  $A/\overline{D}=1$ .
8. Carrier Detect Response Time refers to the response of the SSI/CD output from a logic high to a logic low state when the input signal is removed or amplitude drops below the threshold set by the CD\_ADJ pin. SSI/CD pin loading  $C_L < 50pF$ ,  $R_L = \text{open cct}$ .

### TEST LEVELS

1. Production test at room temperature and nominal supply voltage with guardbands for supply and temperature ranges.
2. Production test at room temperature and nominal supply voltage with guardbands for supply and temperature ranges using correlated test.
3. Production test at room temperature and nominal supply voltage.
4. QA sample test.
5. Calculated result based on Level 1,2, or 3.
6. Not tested. Guaranteed by design simulations.
7. Not tested. Based on characterization of nominal parts.
8. Not tested. Based on existing design/characterization data of similar product.
9. Indirect test.

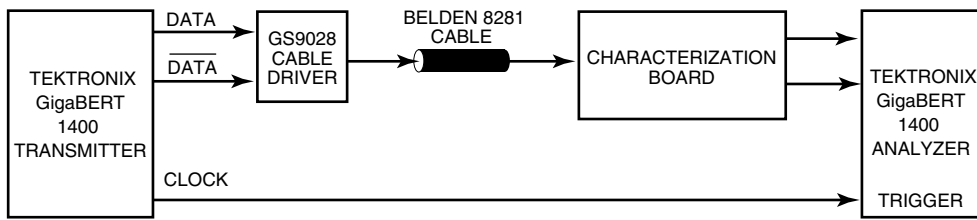
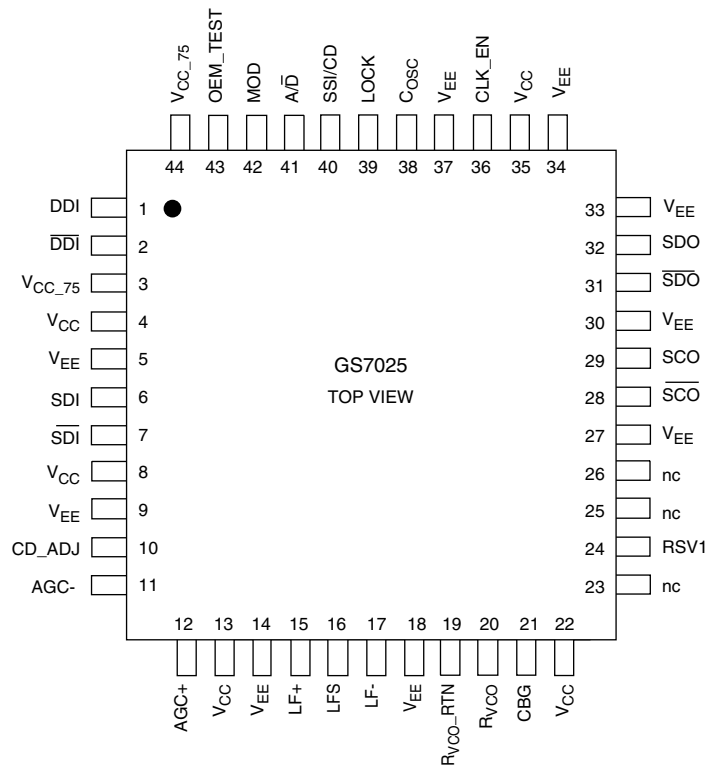


Fig. 1 Test Setup for Figures 5 and 6

PIN CONNECTIONS



## PIN DESCRIPTIONS

NUMBER	SYMBOL	TYPE	DESCRIPTION
1, 2	DDI/DDI	I	Digital data inputs (Differential ECL/PECL).
3, 44	V <sub>CC-75</sub>	I	Power supply connection for internal 75Ω pullup resistors connected to DDI/DDI.
4, 8, 13, 22, 35	V <sub>CC</sub>	I	Most positive power supply connection.
5, 9, 14, 18, 27, 30, 33, 34, 37	V <sub>EE</sub>	I	Most negative power supply connection.
6, 7	SDI/SDI	I	Differential analog data inputs.
10	CD_ADJ	I	Carrier detect threshold adjust.
11, 12	AGC-, AGC+	I	External AGC capacitor. V <sub>common mode</sub> = 2.7V typ.
15, 16, 17	LF+, LFS, LF-	I	Loop filter component connection.
19	R <sub>VCO-RTN</sub>	I	R <sub>VCO</sub> Return. Frequency setting resistor return connection.
20	R <sub>VCO</sub>	I	Frequency setting resistor connection.
21	CBG	I	Internal bandgap voltage filter capacitor.
23, 25, 26	nc	-	No connect - Do not connect to power or ground. Leave floating.
24	RSV1	I	Reserved pin 1. Always set high.
28, 29	SCO/SCO	O	Serial clock output. SCO/SCO are differential current mode outputs and require external 75Ω pullup resistors.
31, 32	SDO/SDO	O	Equalized and reclocked serial digital data outputs. SDO/SDO are differential current mode outputs and require external 75Ω pullup resistors.
36	CLK_EN	I	Clock enable. When HIGH, the serial clock outputs are enabled.
38	C <sub>OSC</sub>	I	Timing control capacitor for internal system clock.
39	LOCK	O	Lock indication. When HIGH, the GS7025 is locked. LOCK is an open collector output and requires an external 10kΩ pullup resistor.
40	SSI/CD	O	Signal strength indicator/Carrier detect.
41	A/D	I	Analog/Digital select.
42	MOD	I	270 Mb/s modulus select - Always set high.
43	OEM_TEST	O	Output 'Eye' monitor test. Single-ended current mode output that requires an external 50Ω pullup resistor. This feature is recommended for debugging purposes only. If enabled during normal operation, the maximum operating temperature is rated to 60°C. For maximum cable length performance the OEM_TEST must be disabled.

**TYPICAL PERFORMANCE CURVES** ( $V_S = 5V$ ,  $T_A = 25^\circ C$  unless otherwise shown)

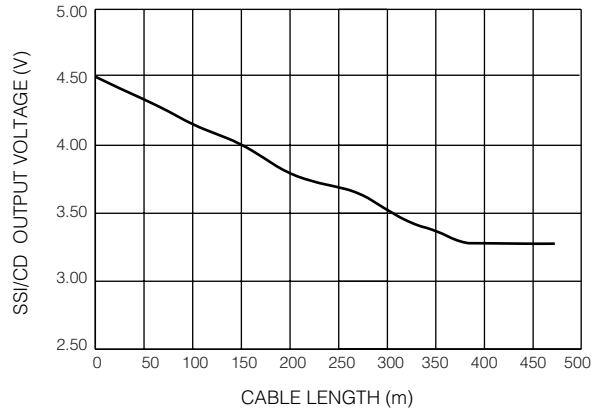


Fig. 2 SSI/CD Voltage vs. Cable Length (Belden 8281) (CD\_ADJ = 0V)

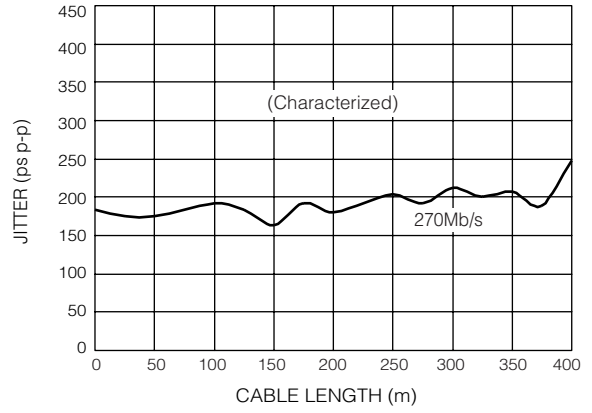


Fig. 5 Typical Additive Jitter vs. Input Cable Length (Belden 8281) Pseudorandom ( $2^{23}-1$ )

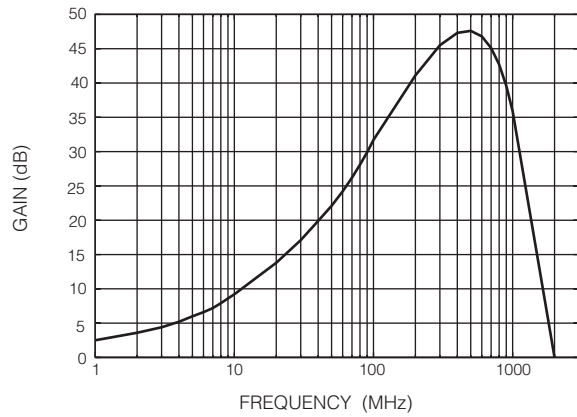


Fig. 3 Equalizer Gain vs. Frequency

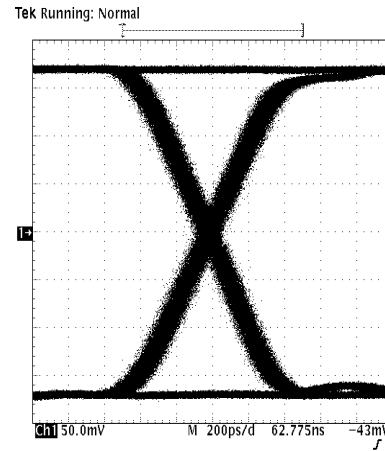


Fig. 6 Intrinsic Jitter ( $2^{23} - 1$  Pattern) 270Mb/s

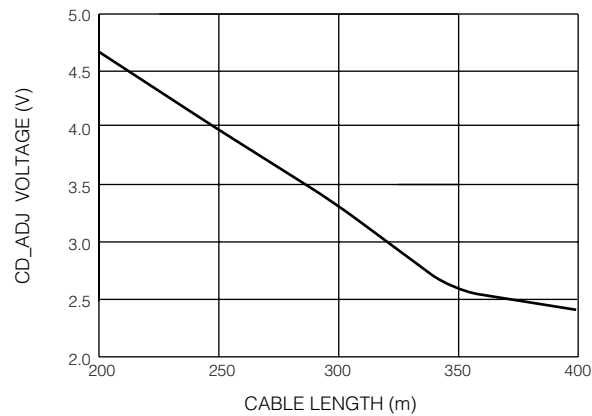


Fig. 4 Carrier Detect Adjust Voltage Threshold Characteristics

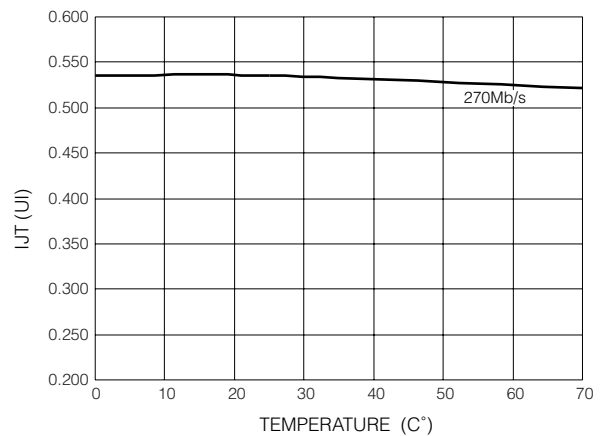


Fig. 7 Typical IJT vs. Temperature ( $V_{CC} = 5.0V$ ) (Characterized)

## DETAILED DESCRIPTION

The GS7025 Serial Digital Receiver is a bipolar integrated circuit containing a built-in cable equalizer and reclocker.

Serial digital signals are applied to either the analog SDI/ $\overline{\text{SDI}}$  or digital DDI/ $\overline{\text{DDI}}$  inputs. Signals applied to the SDI/ $\overline{\text{SDI}}$  inputs are equalized and then passed to a multiplexer. Signals applied to the DDI/ $\overline{\text{DDI}}$  inputs bypass the equalizer and go directly to the multiplexer. The analog/digital select pin (A/ $\overline{\text{D}}$ ) determines which signal is then passed to the reclocker.

Packaged in a 44 pin MQFP, the receiver operates from a single 5V supply at a data rate of 270Mb/s. Typical power consumption is 600mW

### 1. CABLE EQUALIZER

The automatic cable equalizer is designed to equalize a serial digital data rate of 270Mb/s.

The serial data signal is connected to the input pins (SDI/ $\overline{\text{SDI}}$ ) either differentially or single-endedly. The input signal passes through a variable gain equalizing stage whose frequency response closely matches the inverse cable loss characteristic. In addition, the variation of the frequency response with control voltage imitates the variation of the inverse cable loss characteristic with cable length. The gain stage provides up to 35dB of gain at 135MHz which typically results in equalization of greater than 350m of Belden 8281 cable at 270Mb/s.

The edge energy of the equalized signal is monitored by a detector circuit which produces an error signal corresponding to the difference between the desired edge energy and the actual edge energy. This error signal is integrated by an external differential AGC filter capacitor (AGC+/AGC-) providing a steady control voltage for the gain stage. As the frequency response of the gain stage is automatically varied by the application of negative feedback, the edge energy of the equalized signal is kept at a constant level which is representative of the original edge energy at the transmitter.

The equalized signal is DC restored, effectively restoring the logic threshold of the equalized signal to its corrective level irrespective of shifts due to AC coupling.

#### 1.1 Signal Strength Indication/Carrier Detect

The GS7025 incorporates an analog signal strength indicator/carrier detect (SSI/CD) output indicating both the presence of a carrier and the amount of equalization applied to the signal. The voltage output of this pin versus cable length (signal strength) is shown in Figure 2 and 8.

With 0m of cable (800mV input signal levels), the SSI/CD output voltage is approximately 4.5V. As the cable length increases, the SSI/CD voltage decreases linearly providing accurate correlation between the SSI/CD voltage and cable length.

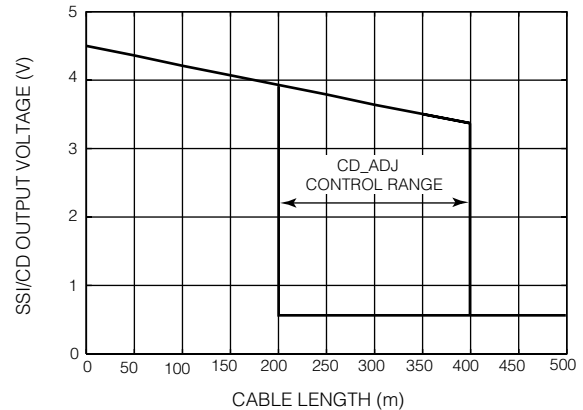


Fig. 8 SSI/CD Voltage vs. Cable Length

When the signal strength decreases to the level set at the "Carrier Detect Threshold Adjust" pin, the SSI/CD voltage goes to a logic "0" state (0.8 V) and can be used to drive other TTL/CMOS compatible logic inputs. When loss of carrier is detected, the SDO/ $\overline{\text{SDO}}$  outputs are muted (set to a known static state). Additional SSI/CD output source current can be obtained in applications with a pull-up resistor. An external 5k pull-up resistor with less than 50 pF capacitor loading is recommended.

#### 1.2 Carrier Detect Threshold Adjust

Carrier Detect Threshold Adjust is designed applications such as routers where signal crosstalk and circuit noise cause the equalizer to output erroneous data when no input signal is present. The GS7025 solves this problem with a user adjustable threshold which meets the unique conditions that exist in each application. Override and internal default settings are provided to give the user total flexibility.

The threshold level at which loss of carrier is detected is adjustable via external resistors at the CD\_ADJ pin (see Figure 4). The control voltage at the CD\_ADJ pin is set by a simple resistor divider circuit (see Typical Application Circuit). The threshold level is adjustable from 200m to 350m. By default (no external resistors), the threshold is typically 320m. In noisy environments, it is not recommended to leave this pin floating. Connecting this pin to  $V_{EE}$  disables the SDO/ $\overline{\text{SDO}}$  muting function and allows for maximum possible cable length equalization.

#### 1.3 Output Eye Monitor Test

The GS7025 also provides an 'Output Eye Monitor Test' (OEM\_TEST) which allows the verification of signal integrity after equalization, prior to reslicing. The OEM\_TEST pin is an open collector current output that requires an external 50 $\Omega$  pullup resistor. When the pullup resistor is not used, the OEM\_TEST block is disabled and the internal OEM\_TEST circuit is powered down. The OEM\_TEST



provides a 100mVp-p signal when driving a 50Ω oscilloscope input. Due to additional power consumed by this diagnostic circuit, it is not recommended for continuous operation.

NOTE: For maximum cable length performance the OEM\_TEST block should be disabled.

**2. RECLOCKER**

The reclocker receives a differential serial data stream from the internal multiplexer. It locks an internal clock to the incoming data. It outputs the differential PECL retimed data signal on SDO/SDO. It outputs the recovered clock on SCO/SCO. The timing between the output and clock signals is shown in Figure 9.

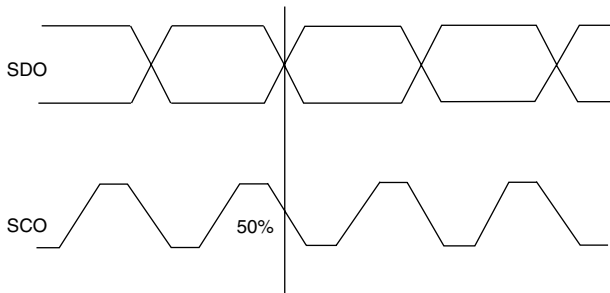


Fig. 9 Output and Clock Signal Timing

The reclocker contains three main functional blocks: the Phase Locked Loop, Frequency Acquisition, and Logic Circuit.

**2.1 Phase Locked Loop (PLL)**

The Phase Locked Loop locks the internal PLL clock to the incoming data rate. A simplified block diagram of the PLL is shown below. The main components are the VCO, the phase detector, the charge pump, and the loop filter.

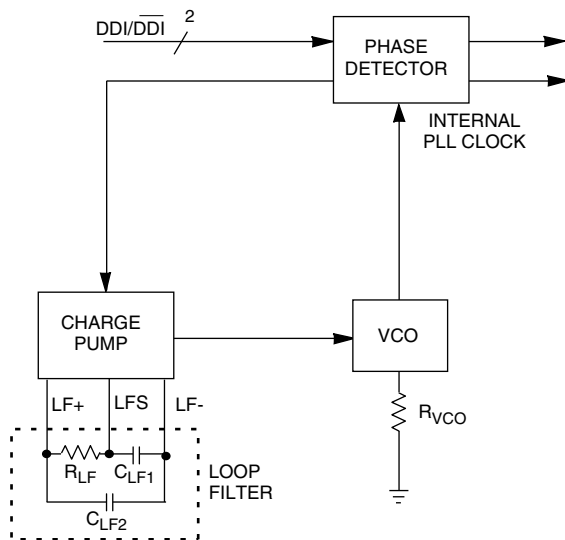


Fig. 10 Simplified Block Diagram of the PLL

**2.1.1 VCO**

The VCO is a differential low phase noise, factory trimmed oscillator that provides increased immunity to PCB noise and precise control of the VCO centre frequency. The VCO has a pull range of ±15% about the centre frequency. A single low impedance external resistor,  $R_{VCO}$ , sets the VCO centre frequency. The low impedance  $R_{VCO}$  minimizes thermal noise and reduces the PLL's sensitivity to PCB noise.

The recommended  $R_{VCO}$  value for SMPTE 259M-C applications is 365Ω.

When the input data stream is removed for an excessive period of time (see AC electrical characteristics table), the VCO frequency can drift from the 270Mb/s centre frequency to the limits shown in Table1.

TABLE 1: Frequency Drift Range

FREQUENCY	MIN (%)	MAX(%)
270Mb/s lock	-13	28

**2.1.2 Phase Detector**

The phase detector compares the phase of the PLL clock with the phase of the incoming data signal and generates error correcting timing pulses. The phase detector design provides a linear transfer function which maximizes the input jitter tolerance of the PLL.

**2.1.3 Charge Pump**

The charge pump takes the phase detector output timing pulses and creates a charge packet that is proportional to the system phase error. A unique differential charge pump design insures that the output phase does not drift when data transitions are sparse. This makes the GS7025 ideal for SMPTE 259M-C applications where pathological signals have data transition densities of 0.05.

**2.1.4 Loop Filter**

The loop filter integrates the charge pump packets and produces a VCO control voltage. The loop filter is comprised of three external components which are connected to pins LF+, LFS, and LF-. The loop filter design is fully differential giving the GS7025 increased immunity to PCB board noise.

The loop filter components are critical in determining the loop bandwidth and damping of the PLL. Recommended values for SMPTE 259M-C applications are shown in the Typical Application Circuit. No further changes from the recommended GS7025 loop filter components are necessary. For more information on choosing loop filter component values, refer to the PLL DESIGN GUIDELINES section of the GS9025A datasheet.

## 2.2 Frequency Acquisition

The core PLL is able to lock if the incoming data rate and the PLL clock frequency are within the PLL capture range (which is slightly larger than the loop bandwidth). To assist the PLL to lock, the GS7025 uses a frequency acquisition circuit.

The frequency acquisition circuit sweeps the VCO control voltage so that the VCO frequency changes from -10% to +10% of the centre frequency. Figure 11 shows a typical sweep waveform.

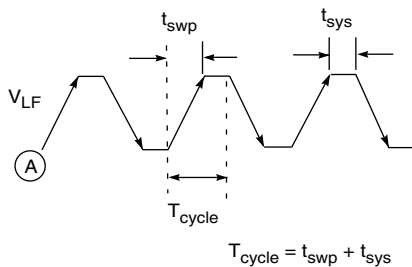


Fig. 11 Typical Sweep Waveform

The VCO frequency starts at point A and sweeps up attempting to lock. If lock is not established during the up sweep, the VCO is then swept down. The probability of locking within one cycle period is greater than 0.999. If the system does not lock within one cycle period, it attempts to lock in the subsequent cycle.

The average sweep time, ( $t_{\text{swp}}$ ) is determined by the loop filter component ( $C_{\text{LF1}}$ ) and the charge pump current ( $I_{\text{CP}}$ ):

$$t_{\text{SWP}} = \frac{4C_{\text{LF1}}}{3I_{\text{CP}}}$$

The nominal sweep time is approximately 121 $\mu$ s when  $C_{\text{LF1}} = 15\text{nF}$  and  $I_{\text{CP}} = 165\mu\text{A}$  ( $R_{\text{VCO}} = 365\Omega$ ).

An internal system clock determines  $t_{\text{sys}}$  (see section 2.3, Logic Circuit).

## 2.3 Logic Circuit

The GS7025 is controlled by a finite state logic circuit which is clocked by an asynchronous system clock. That is, the system clock is completely independent of the incoming data rate. The system clock runs at low frequencies, relative to the incoming data rate, and thus reduces interference to the PLL. The period of the system clock is set by the  $C_{\text{OSC}}$  capacitor and is:

$$t_{\text{sys}} = 9.6 \times 10^4 \times C_{\text{OSC}}[\text{seconds}]$$

The recommended value for  $t_{\text{sys}}$  is 450 $\mu$ s ( $C_{\text{OSC}} = 4.7\text{nF}$ )

## 2.4 Locking

The GS7025 indicates valid lock when the following three conditions are satisfied:

1. Input data is detected.
2. The incoming data signal and the PLL clock are phase locked.
3. The system is not locked to an integer-multiple harmonic of a 270Mb/s SMPTE 259M-C signal.

The GS7025 defines the presence of input data when at least one data transition occurs every 1 $\mu$ s.

The GS7025 assumes that it is NOT locked to a harmonic if the pattern '101' or '010' (in the relocked data stream) occurs at least once every  $t_{\text{sys}}/3$  seconds. Using the recommended component values, this corresponds to approximately 150 $\mu$ s. In a harmonically locked system, all bit cells are double clocked and the above patterns become '110011' and '001100', respectively.

### 2.4.1 Lock Time

Synchronous switching refers to the case where the input data is changed from one source to another source which is at the same data rate (but different phase).

When input data to the GS7025 is removed, the GS7025 latches the current state. Therefore, when data is reapplied, the GS7025 begins the lock procedure at the previous locked data rate. As a result, in synchronous switching applications, the GS7025 locks very quickly. The nominal lock time depends on the switching time and is summarized in Table 3.

TABLE 3.

SWITCHING TIME	LOCK TIME
<0.5 $\mu$ s	10 $\mu$ s
0.5 $\mu$ s - 10ms	$2t_{\text{sys}}$
>10ms	$2T_{\text{cycle}} + 2t_{\text{sys}}$

To acquire lock, the frequency acquisition circuit may have to sweep over an entire cycle depending on initial conditions. Maximum lock time is  $2T_{\text{cycle}} + 2t_{\text{sys}}$ .

The nominal value of  $T_{\text{cycle}}$  for the GS7025 operating in a typical SMPTE 259M-C application is approximately 1.3ms.

The GS7025 has a dedicated LOCK output (pin 39) indicating when the device is locked.

*Note:* In synchronous switching applications where the switching time is less than 0.5 $\mu$ s, the LOCK output is not de-asserted and the data outputs are not muted.

**2.4.2 DVB-ASI**

Design Note: For DVB-ASI applications having significant instances of few bit transitions or when only K28.5 idle bits are transmitted, the wide-band PLL in the GS7025 may lock at 243MHz being the first 27MHz sideband below 270MHz. In this case, when normal bit density signals are transmitted, the PLL will correctly lock onto the proper 270MHz carrier.

**2.5 Output Data Muting**

The GS7025 internally mutes the SDO and  $\overline{SDO}$  outputs when the device is not locked. When muted, SDO/ $\overline{SDO}$  are latched providing a logic state to the subsequent circuit and avoiding a condition where noise could be amplified and appear as data.

The output data muting timing is shown in Figure 12.

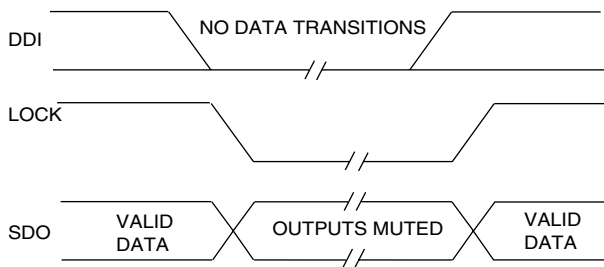


Fig. 12 Output Data Muting Timing

**2.6 Clock Enable**

When CLK\_EN is high, the GS7025 SCO/ $\overline{SCO}$  outputs are enabled. When CLK\_EN is low, the  $\overline{SCO}$ /SCO outputs are placed in a high Z state and float to V<sub>CC</sub>. Disabling the clock outputs results in a power savings of 10%. It is recommended that the CLK\_EN input be hard wired to the desired state. For applications which do not require the clock output, connect CLK\_EN to Ground and connect the SCO/ $\overline{SCO}$  outputs to V<sub>CC</sub>.

**2.7 Stressful Data Patterns**

All PLL's are susceptible to stressful data patterns which can introduce bit errors in the data stream. PLL's are most sensitive to patterns which have long run lengths of 0's or 1's (low data transition densities for a long period of time). The GS7025 is designed to operate with low data transition densities such as the SMPTE 259M-C pathological signal (data transition density = 0.05).

**3 I/O DESCRIPTION**

**3.1 High Speed Analog Inputs (SDI/ $\overline{SDI}$ )**

SDI/ $\overline{SDI}$  are high impedance inputs which accept differential or single-ended input drive.

Figure 13 shows the recommended interface when a single-ended serial digital signal is used.

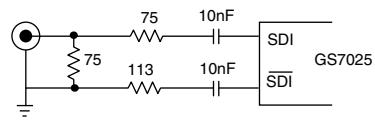


Fig. 13

**3.2 High Speed Digital Inputs (DDI/ $\overline{DDI}$ )**

DDI/ $\overline{DDI}$  are high impedance inputs which accept differential or single-ended input drive. Two conditions must be observed when interfacing to these inputs:

1. Input signal amplitudes are between 200 and 2000mV.
2. The common mode input voltage range is as specified in the DC Characteristics table.

Commonly used interface examples are shown in Figures 14 to 16.

Figure 14 illustrates the simplest interface to the GS7025 digital inputs. In this example, the driving device generates the PECL level signals (800mV amplitudes) having a common mode input range between 0.4 and 4.6V. This scheme is recommended when the trace lengths are less than 1in. The value of the resistors depends on the output driver circuitry.

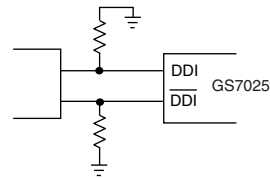


Fig. 14

When trace lengths become greater than 1in, controlled impedance traces should be used. The recommended interface is shown in Figure 15. In this case, a parallel resistor (R<sub>LOAD</sub>) is placed near the GS7025 inputs to terminate the controlled impedance trace. The value of R<sub>LOAD</sub> should be twice the value of the characteristic impedance of the trace. In addition, place series resistors (R<sub>SOURCE</sub>) near the driving chip to serve as source terminations. They should be equal to the value of the trace impedance. Assuming 800mV output swings at the driver, R<sub>LOAD</sub> = 100Ω, R<sub>SOURCE</sub> = 50Ω and Z<sub>O</sub> = 50Ω.

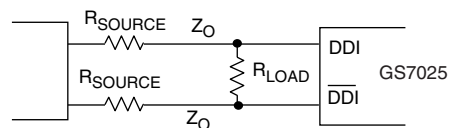


Fig. 15

Figure 16 shows the recommended interface when the GS7025 digital inputs are driven single-endedly. In this case, the input must be AC-coupled and a matching resistor (Z<sub>o</sub>) must be used.

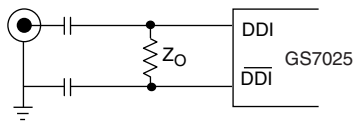


Fig. 16

When the DDI and the  $\overline{\text{DDI}}$  inputs are not used, saturate one input of the differential amplifier for improved noise immunity. To saturate, connect either pins 44 and 1 or pins 2 and 3 to  $V_{CC}$ . Leave the other pair floating.

### 8.3 High Speed Outputs ( $\text{SDO}/\overline{\text{SDO}}$ and $\text{SCO}/\overline{\text{SCO}}$ )

$\text{SDO}/\overline{\text{SDO}}$  and  $\text{SCO}/\overline{\text{SCO}}$  are current mode outputs that require external pullup resistors (see Figure 17). To calculate the output sink current use the following relationship:

$$\text{Output Sink Current} = \text{Output Signal Swing} / \text{Pullup Resistor}$$

A diode can be placed between  $V_{CC}$  and the pullup resistors to reduce the common mode voltage by approximately 0.7 volts. When the output traces are longer than 1in, controlled impedance traces should be used. The pullup resistors should be placed at the end of the output traces as they terminate the trace in its characteristic impedance ( $75\Omega$ ).

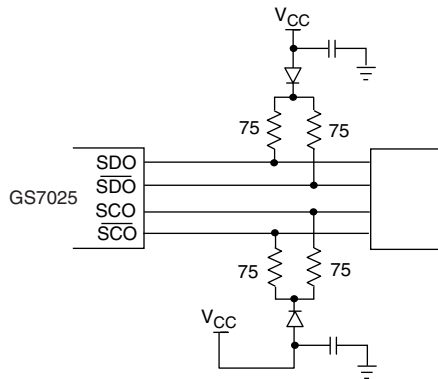
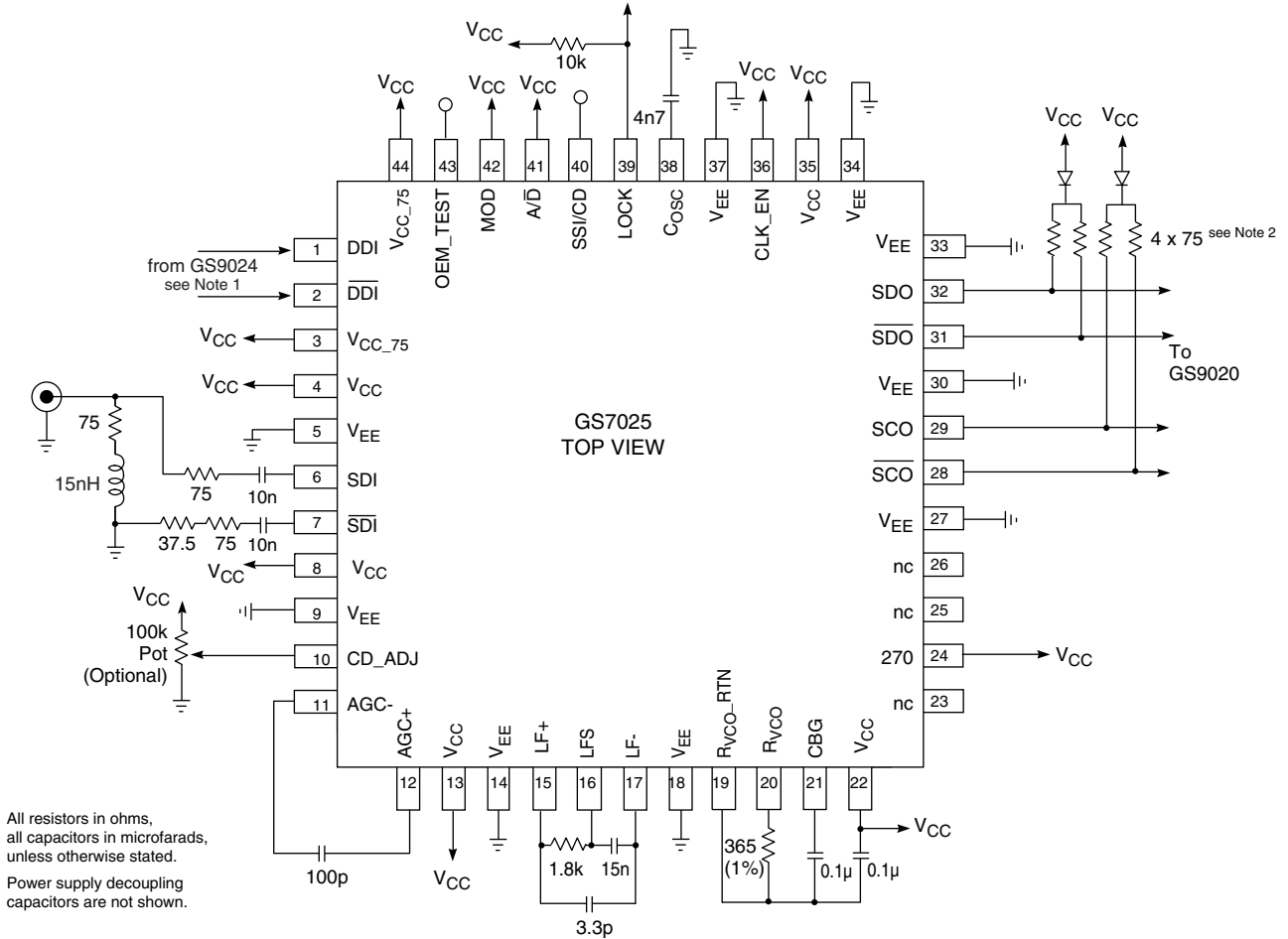


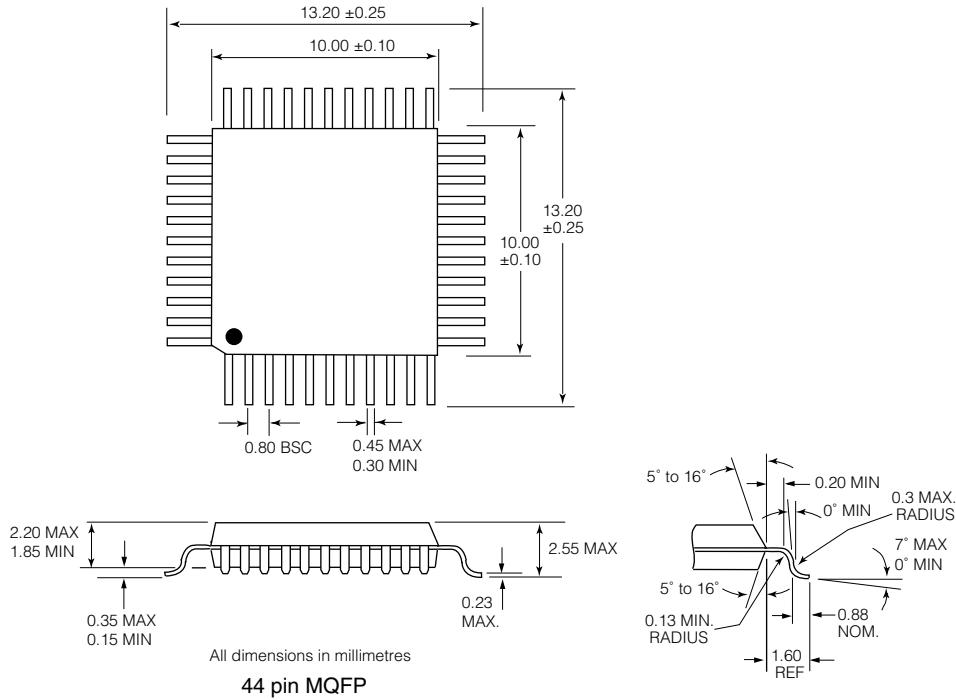
Fig. 17 High Speed Outputs with External Pullups

# TYPICAL APPLICATION CIRCUIT



- NOTES**
1. It is recommended that the DDI/ $\overline{\text{DDI}}$  input are not driven when the SDI/ $\overline{\text{SDI}}$  inputs are being used. This minimizes crosstalk between the DDI/ $\overline{\text{DDI}}$  and SDI/ $\overline{\text{SDI}}$  inputs and maximizes performance.
  2. These resistors are not needed if the internal pull-up resistors on the GS9020 are used.
  3. It is recommended that for new designs VCO components should be returned to the  $R_{\text{VCO\_RTN}}$  pin for improved ground bounce immunity.

## PACKAGE DIMENSIONS



GS7025

### CAUTION

ELECTROSTATIC  
SENSITIVE DEVICES  
DO NOT OPEN PACKAGES OR HANDLE  
EXCEPT AT A STATIC-FREE WORKSTATION



### DOCUMENT IDENTIFICATION

PRELIMINARY DATA SHEET  
The product is in a preproduction phase and specifications  
are subject to change.

### REVISION NOTES:

Updated MSL and Reflow Profile information. Added RoHS  
compliant E3 part numbers.  
For latest product information, visit [www.gennum.com](http://www.gennum.com)

GENNUM CORPORATION  
Mailing Address: P.O. Box 489, Stn. A, Burlington, Ontario, Canada L7R 3Y3  
Shipping Address: 970 Fraser Drive, Burlington, Ontario, Canada L7L 5P5  
Tel. +1 (905) 632-2996 Fax. +1 (905) 632-5946

GENNUM JAPAN CORPORATION  
Shinjuku Green Tower Building 27F, 6-14-1, Nishi Shinjuku,  
Shinjuku-ku, Tokyo, 160-0023 Japan  
Tel. +81 (03) 3349-5501, Fax. +81 (03) 3349-5505

GENNUM UK LIMITED  
25 Long Garden Walk, Farnham, Surrey, England GU9 7HX  
Tel. +44 (0)1252 747 000 Fax +44 (0)1252 726 523

Gennum Corporation assumes no liability for any errors or omissions in this  
document, or for the use of the circuits or devices described herein. The sale  
of the circuit or device described herein does not imply any patent license,  
and Gennum makes no representation that the circuit or device is free from  
patent infringement.

GENNUM and the G logo are registered trademarks of Gennum Corporation.

© Copyright 2000 Gennum Corporation. All rights reserved.

Printed in Canada.

[www.gennum.com](http://www.gennum.com)