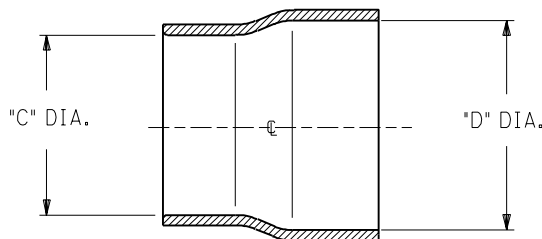
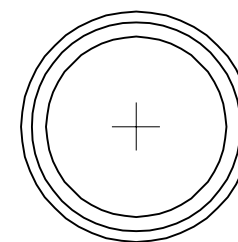
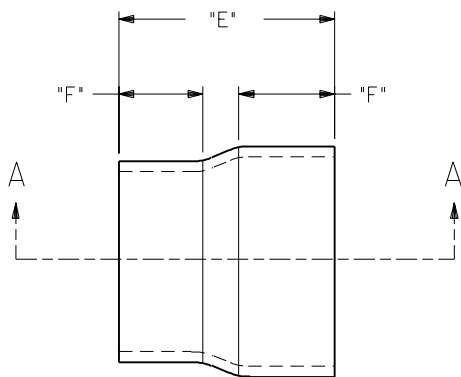
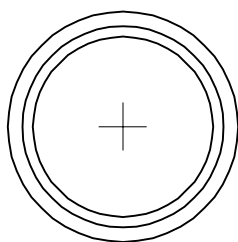
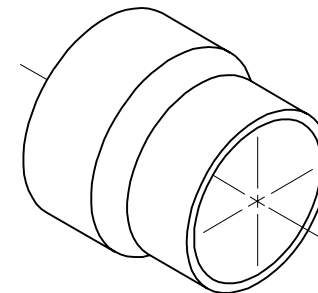


NOTES:

1. MATERIAL: STEEL, ANNEALED, .020±.001 THICK
2. PLATING: .000200 IN. MIN. BRIGHT TIN OVER .000100 IN. MIN. COPPER OVERALL.
3. PRODUCT CONFORMS TO PRODUCT SPECIFICATION PS-71182.
4. PACKAGING: PRODUCT IS BULK PACKAGED



SECTION A-A

| PART # | CABLE DIA. RANGE | "C" | "D" | "E" | "F" | USES EMI CAN KIT NUMBER |
|------------|---------------------------|-----------------|-----------------|-----------------|----------------|--|
| 73772-0001 | .246-.321 (6.25-8.16) | .324 (8.23) | .437 (11.10) | .450 (11.43) | .191 (4.85) | 71755-1001 88789-9332 88789-9333 |
| 73772-0002 | .322-.354 (8.17-9.00) | .375 (9.53) | .437 (11.10) | | | |
| 73772-0003 | .355-.387 (9.01-9.84) | .392 (9.96) | .505 (12.83) | .565 (14.35) | .235 (5.97) | 71755-1000 88789-9333 |
| 73772-0004 | .388-.420 (9.85-10.67) | .432 (10.97) | .505 (12.83) | | | 71755-1000 |

ADDED KIT #15
 EC No. LUT2001-0277
 DRWNSCHMIDGA 0009005
 CHK: TMCLELL 0009006
 APPR: NELSON 0009007

| | | | |
|-----------------------|--|--|---|
| QUALITY SYMBOLS | GENERAL TOLERANCES: (UNLESS SPECIFIED) | SCALE 5 : 1 | DESIGN UNITS <input type="checkbox"/> mm <input checked="" type="checkbox"/> INCH |
| MAJOR $\nabla = 0$ | | mm | INCH |
| CRITICAL $\nabla = 0$ | | | |
| REV | DESCRIPTION | DRAWN BY & DATE PMURPHY 97/03/26 | |
| | | CHECKED BY & DATE JNELLI GA 97/03/26 | |
| | | APPROVED BY & DATE JNELLI GA 97/03/26 | |
| | | CAD FILENAME 73772S1.DGN | |
| | | DRAFT WHERE APPLICABLE MUST REMAIN WITHIN DIMENSIONS | |

| | | | |
|--|--|--------------------------|--------|
| DIMENSIONS: <input type="checkbox"/> mm <input checked="" type="checkbox"/> INCH <input type="checkbox"/> mm ONLY | | SHT | REV |
| THIRD ANGLE PROJECTION | | REVISE ON CAD ONLY | |
| TITLE: MICROCROSS, P&D AND DVI CRIMP FERRULES SALES DRAWING | | MATERIAL NO. SEE CHART | |
| MOLEX INCORPORATED | | DRAWING NO. SD-73772-000 | |
| THIS DRAWING CONTAINS INFORMATION THAT IS PROPRIETARY TO MOLEX INCORPORATED AND SHOULD NOT BE USED WITHOUT WRITTEN PERMISSION. | | SHEET NO. 1 OF 1 | SIZE C |