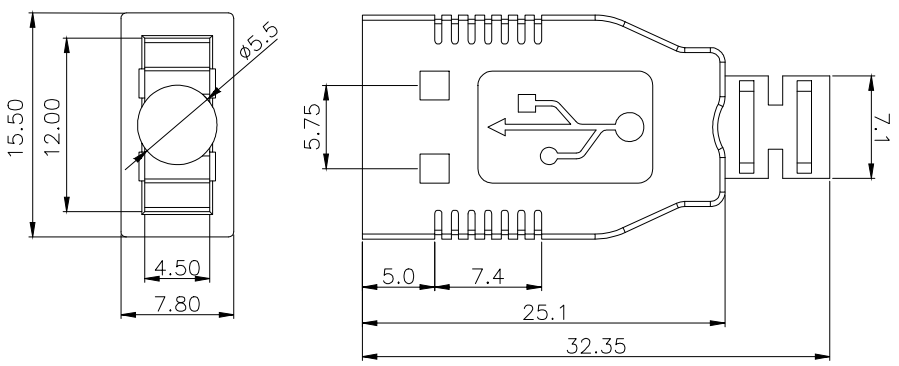
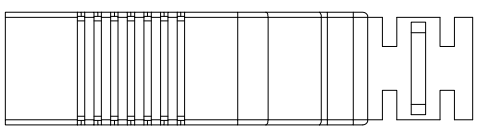
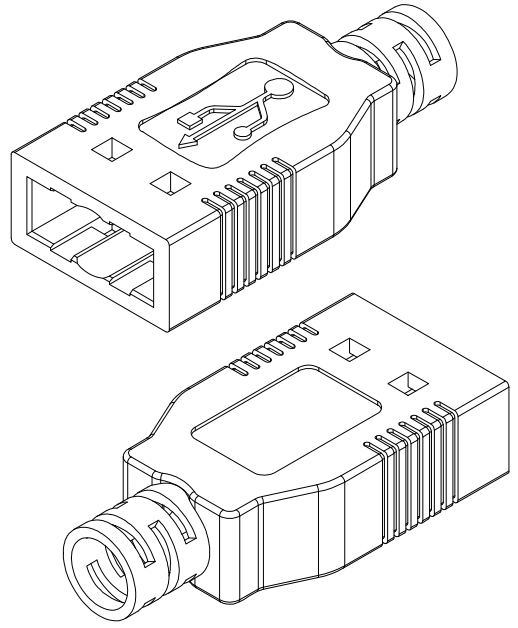


1 2 3 4 5 6 7

A
B
C
D
E
F
G
H



① Notes:
 Material: ABS UL94V-0 Color: Beige
 Burr: 0.05mm max. on contact area
 Environmental:
 1. Operating temperature range: -20°C to +60°C
 (Without loss function)
 2. storage temperature range: -20°C to +60°C
 (Without loss function)



RoHS compliant
Unit: mm

Scale	Free					Date	Name	Customer-No.	
TOLERANCE						Drawn	18.02.2016	Amy	
X.X	±0.35					Approved	18.07.2018	Winnie	
X.XX	±0.25							ASSMANN WSW-No.	
X.XXX	±0.15							A-USBPA-HOOD-R	
DIM	TOL	①	Update	18.07.2018	Xavier			Drawing-No.	
		②	Drawn	18.02.2016	Amy			ASS 7136 CO	rev01
		Id.	Modification	Date	Name			Replace	Sheet

1 2 3 4 5 6 7