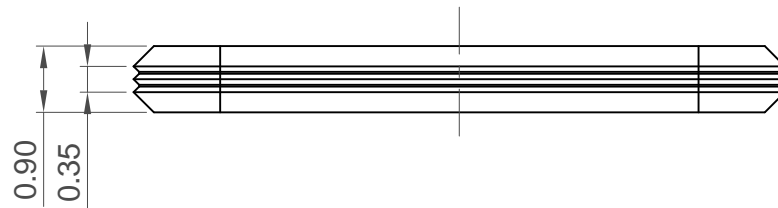






Section A-A

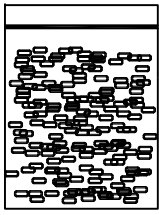
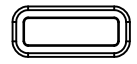


Recomended Waterproof Gasket Spec
 Material: Silicone
 Colour: Black
 Used with: USB3500, USB3505, USB3510

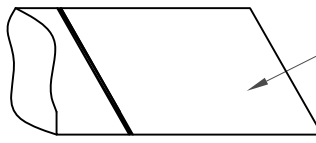
Part Number		Product Description				This drawing is confidential and copyright of Global Connector Technology, Ltd (GCT). This drawing must not be copied or disclosed without written consent. E & OE
USBTJ-02		Micro USB Waterproof Gasket				
Drawing Date		21st September 2018				
By	CC	Tolerances (Except as Noted)		Units:		
Detail	Drawing Release	Length	Angle	Metric (mm)		
Revision	A2	X. ± 0.50	± 1°			
Date	16/04/20	X.X ± 0.30				
		X.XX ± 0.20				
		X.XXX ± 0.10				
Not to Scale		Drawn By	CC	Sheet No.	1/2	



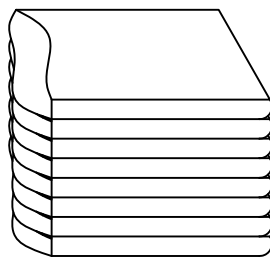
H
G
F
E
D
C
B
A



Ziplock Bag

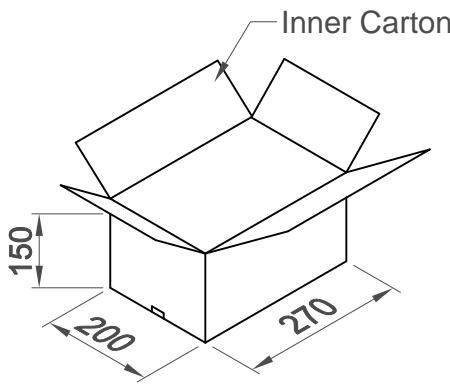


PE Bag

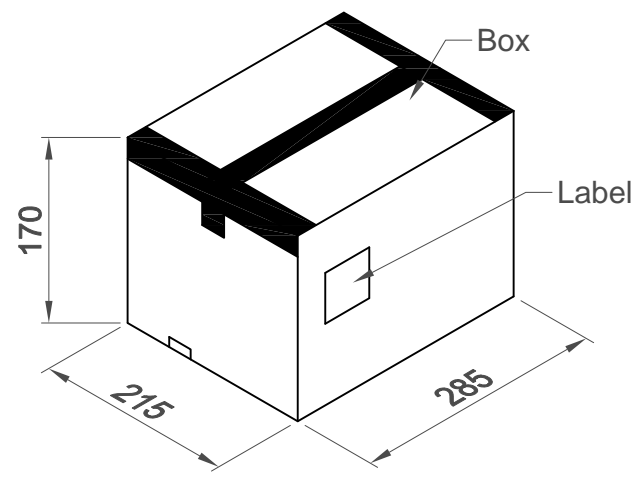


15 Bags

Pcs / Ziplock Bag	Ziplock Bags/PE Bag	Pcs / PE Bag	PE Bags / Box	Total Quantity
1000	5	5000	15	75000 pcs



Inner Carton



Box

Label

Part Number USBTJ-02		Product Description Micro USB Waterproof Gasket		GCT www.gct.co
Drawing Date 21st September 2018				
By CC	Drawing Release A2	Tolerances (Except as Noted) Length X. ± 0.50 X.X ± 0.30 X.XX ± 0.20 X.XXX ± 0.10	Units: Metric (mm)	
Revision Date	16/04/20	± 1°	3rd Angle Projection	
This drawing is confidential and copyright of Global Connector Technology, Ltd (GCT). This drawing must not be copied or disclosed without written consent. E & OE				Not to Scale Drawn By CC Sheet No. 2/2

1 2 3 4 5 6 7 8