

STYLE
 -01: PANEL MOUNT DUST CAP
 -02: CABLE DUST CAP
 -03: USB FLASH DRIVE COVER



DO NOT
SCALE FROM
THIS PRINT

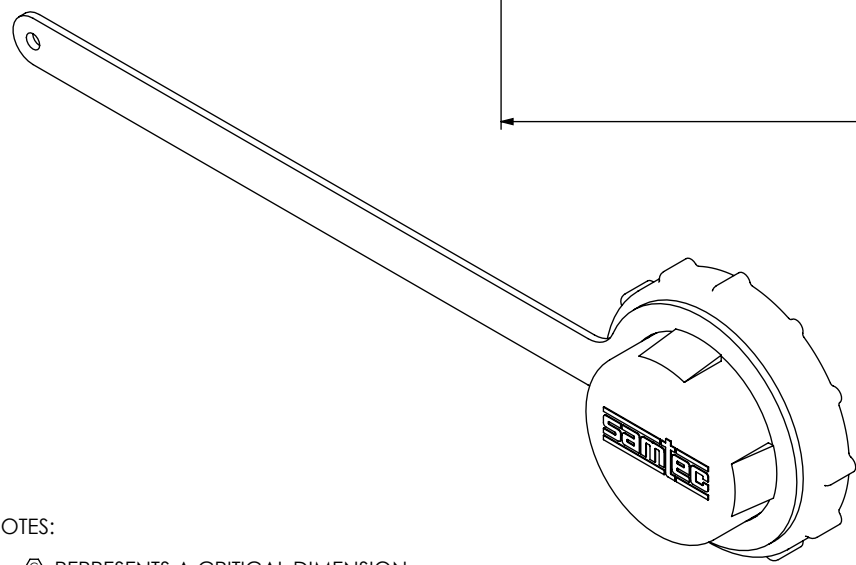
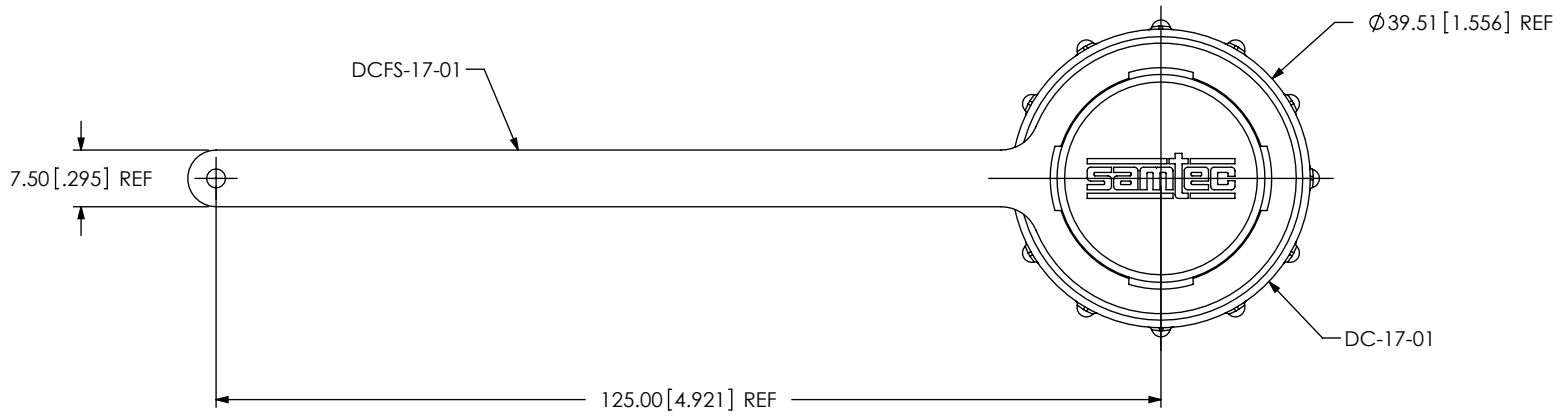



FIG 1
DCA-17-01 SHOWN

- NOTES:
1. ⊗ REPRESENTS A CRITICAL DIMENSION.
 2. VENDOR TO ASSEMBLE PARTS.
 3. COMPONENTS MUST BE PRESSED DOWN BELOW SNAPS.
 4. DCA-17-03 WILL ACCOMODATE USB DEVICE WITH DIMENSIONS 80.00mm X 13.30mm X 20.25mm.
 5. TORQUE SPECIFICATION FOR SCN-17-04 IS 12 IN-LB.
 6. MIN BEND RADIUS: 6.00 [.24]

<p>UNLESS OTHERWISE SPECIFIED, DIMENSIONS ARE IN MILLIMETERS. TOLERANCES ARE:</p> <p>DECIMALS ANGLES</p> <p>.X: ± 0.3 [.01] 2°</p> <p>.XX: ± 0.13 [.005]</p> <p>.XXX: ± 0.051 [.0020]</p>	<p>PROPRIETARY NOTE</p> <p>THIS DOCUMENT CONTAINS INFORMATION CONFIDENTIAL AND PROPRIETARY TO SAMTEC, INC. AND SHALL NOT BE REPRODUCED OR TRANSFERRED TO OTHER DOCUMENTS OR DISCLOSED TO OTHERS OR USED FOR ANY PURPOSE OTHER THAN THAT WHICH IT WAS OBTAINED WITHOUT THE EXPRESSED WRITTEN CONSENT OF SAMTEC, INC.</p>	 <p>520 PARK EAST BLVD, NEW ALBANY, IN 47150 PHONE: 812-944-6733 FAX: 812-948-5047 e-Mail: info@SAMTEC.com code: 55322</p>
<p>MATERIAL: DO NOT SCALE DRAWING SHEET SCALE: 1:1</p> <p>STRAP: LDPE</p> <p>CAP: PA66</p> <p>O-RING: SILICONE</p>	<p>DESCRIPTION: DUST CAP ASSEMBLY</p>	
<p>DWG. NO. DCA-17-XX</p>		
<p>BY: CHAD F 11/22/2004</p>		<p>SHEET 1 OF 3</p>

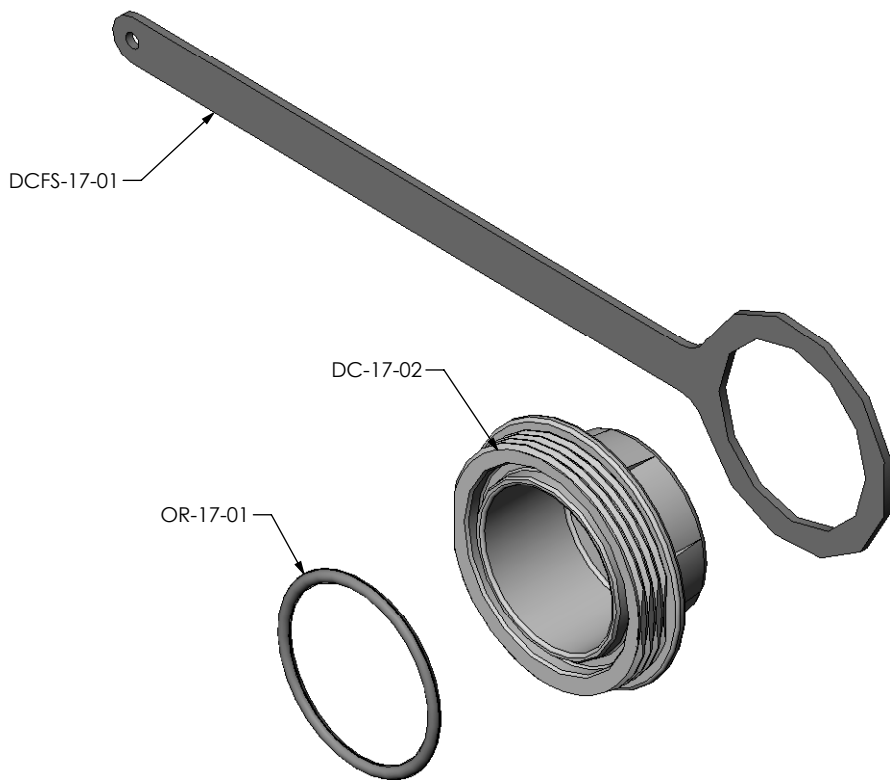
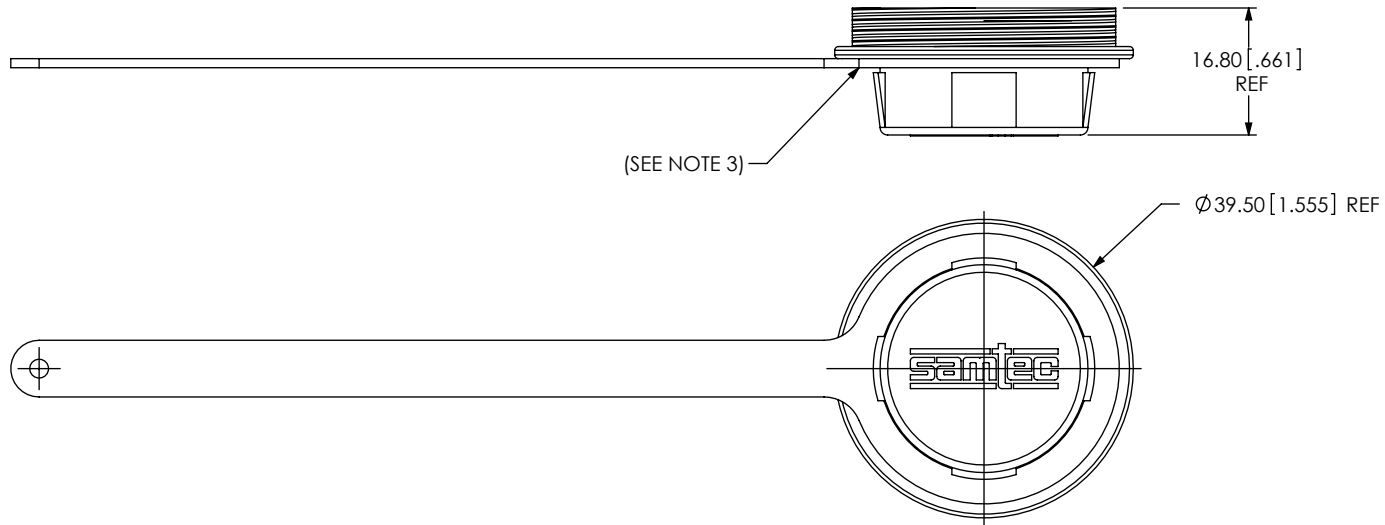



FIG 2
DCA-17-02 SHOWN
(SAME AS FIG 1, UNLESS OTHERWISE STATED)

<p>PROPRIETARY NOTE THIS DOCUMENT CONTAINS INFORMATION CONFIDENTIAL AND PROPRIETARY TO SAMTEC, INC. AND SHALL NOT BE REPRODUCED OR TRANSFERRED TO OTHER DOCUMENTS OR DISCLOSED TO OTHERS OR USED FOR ANY PURPOSE OTHER THAN THAT WHICH IT WAS OBTAINED WITHOUT THE EXPRESSED WRITTEN CONSENT OF SAMTEC, INC.</p> <p>DO NOT SCALE DRAWING</p> <p>SHEET SCALE: 1:1</p>		
	<p>520 PARK EAST BLVD., NEW ALBANY, IN 47150 PHONE: 812-944-6733 FAX: 812-948-5047 e-Mail: info@SAMTEC.com code: 55322</p>	
	<p>DESCRIPTION: DUST CAP ASSEMBLY</p>	
	<p>DWG. NO. DCA-17-XX</p>	
BY: CHAD F	11/22/2004	SHEET 2 OF 3

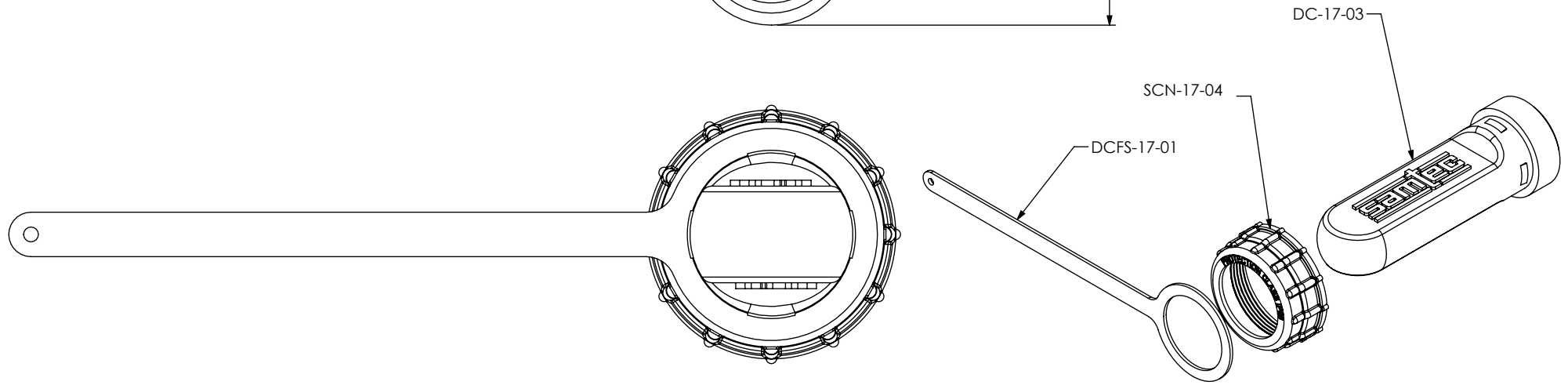
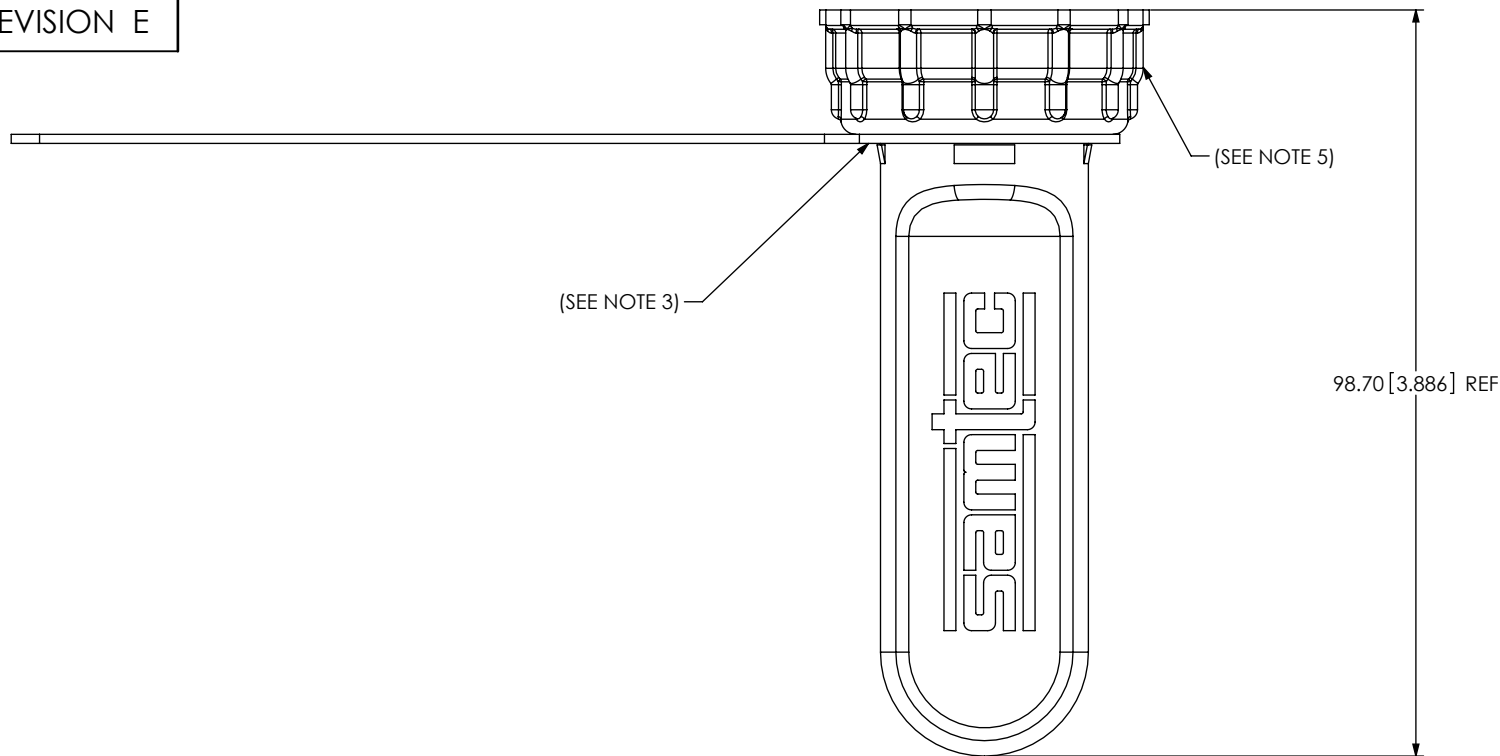


FIG 3
DCA-17-03 SHOWN
(SAME AS FIG 1, UNLESS OTHERWISE STATED)

PROPRIETARY NOTE
THIS DOCUMENT CONTAINS INFORMATION CONFIDENTIAL AND PROPRIETARY TO SAMTEC, INC. AND SHALL NOT BE REPRODUCED OR TRANSFERRED TO OTHER DOCUMENTS OR DISCLOSED TO OTHERS OR USED FOR ANY PURPOSE OTHER THAN THAT WHICH IT WAS OBTAINED WITHOUT THE EXPRESSED WRITTEN CONSENT OF SAMTEC, INC.

DO NOT SCALE DRAWING
SHEET SCALE: 1:2

samtec

520 PARK EAST BLVD, NEW ALBANY, IN 47150
PHONE: 812-944-6733 FAX: 812-948-5047
e-Mail: info@SAMTEC.com code: 55322

DESCRIPTION: DUST CAP ASSEMBLY

DWG. NO. DCA-17-XX

BY: CHAD F 11/22/2004 SHEET 3 OF 3