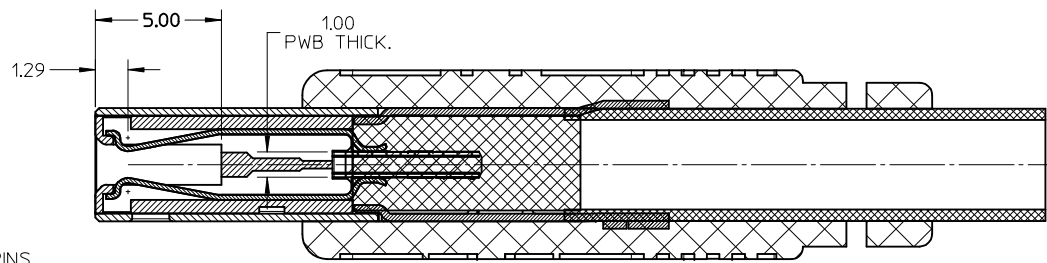
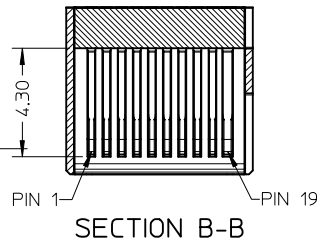


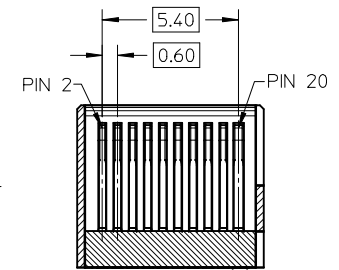
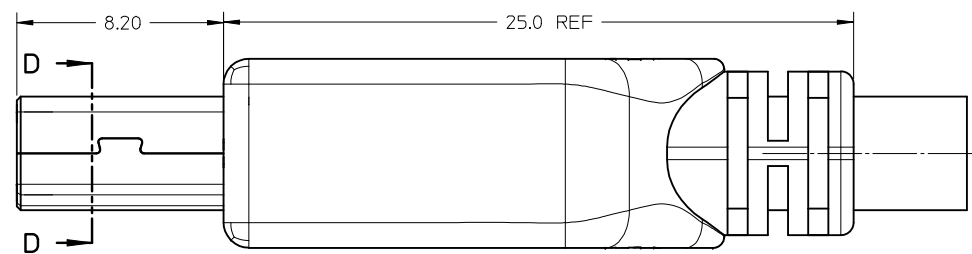
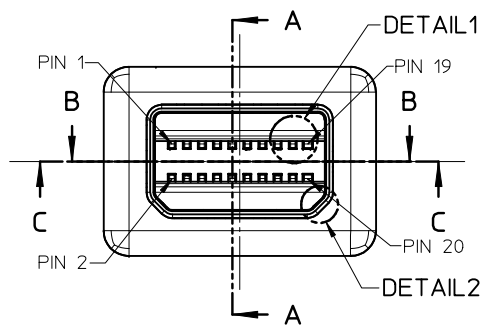
DETAIL1



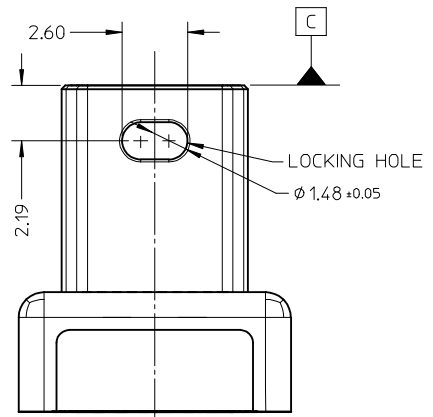
SECTION A-A



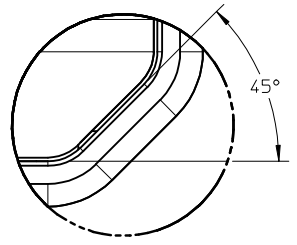
SECTION B-B



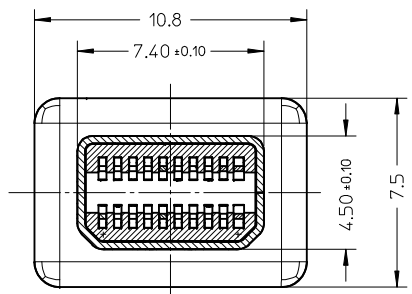
SECTION C-C



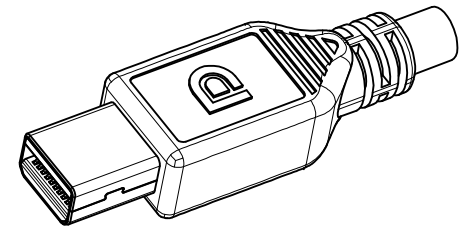
BOTTOM VIEW



DETAIL2



SECTION D-D



NEW PRODUCT EC NO: SHZ010-0088 DRW:KWEI CHK:DZHANG APPR:XJSONG 2009/09/14 2009/09/14 2009/09/14	QUALITY SYMBOLS ▽=0 ◻=0	GENERAL TOLERANCES (UNLESS SPECIFIED) mm INCH 4 PLACES ± --- ± --- 3 PLACES ± --- ± --- 2 PLACES ± 0.25 ± --- 1 PLACE ± 0.30 ± --- ANGULAR ± -- °	DIMENSION STYLE MM ONLY DRAWN BY: KLAUS WEI CHECKED BY: ROST ZHANG APPROVED BY: HARVEY WANG DATE: 2008/03/31 DATE: 2008/03/31 DATE: 2008/03/31	SCALE 5:1	DESIGN UNITS METRIC	THIRD ANGLE PROJECTION	TITLE MINI DISPLAY PORT PLUG
	DRAFT WHERE APPLICABLE MUST REMAIN WITHIN DIMENSIONS	MATERIAL NO. SEE SHEET 2	MOLEX INCORPORATED	DOCUMENT NO. SD-105061-200	SHEET NO. 1 OF 7		
	SIZE A3	THIS DRAWING CONTAINS INFORMATION THAT IS PROPRIETARY TO MOLEX INCORPORATED AND SHOULD NOT BE USED WITHOUT WRITTEN PERMISSION					
	REV B						

TOP ROW			BOTTOM ROW		
PIN NUMBER	SIGNAL TYPE	PIN NAME	PIN NUMBER	SIGNAL TYPE	PIN NAME
1	GND	GND	2	IN	HOT PLUG DETECT
3	OUT	ML_LANE 0(p)	4	CONFIG	CONFIG 1
5	OUT	ML_LANE 0(n)	6	CONFIG	CONFIG 2
7	GND	GND	8	GND	GND
9	OUT	ML_LANE 1(p)	10	OUT	ML_LANE 3(p)
11	OUT	ML_LANE 1(n)	12	OUT	ML_LANE 3(n)
13	GND	GND	14	GND	GND
15	OUT	ML_LANE 2(p)	16	I/O	AUX_CH(p)
17	OUT	ML_LANE 2(n)	18	I/O	AUX_CH(n)
19	RTN	RETURN	20	POWER OUT	DP_PWR

ITEM	PART NAME	PART NUMBER	QTY'S
1	SUB-ASSEMBLY	WHITE	105061-2200
		BLACK	105061-2100
2	MAIN-SHELL	105061-0005	1
3	BOTTOM SHELL	105061-0006	1
4	TOP-SHELL	105061-0007	1

NOTES:

1. MATERIAL:

- 1.1. PLASTIC: HIGH TEMPERATURE THERMOPLASTICS.
- 1.2. TERMINAL: PHOSPHOR BRONZE.
- 1.3. SHIELD SHELL: COPPER ALLOY.
- 1.4. OTHER SHELL: COPPER ALLOY.

2. PLATING:

2.1. TERMINAL:

- 2.1.1. UNDERPLATING: NICKEL 1.30 MICROMETER MIN.
- 2.1.2. CONTACT AREA: GOLD 0.76 MICROMETER MIN.
- 2.1.3. SOLDER AREA: GOLD FLASH.

2.2. METAL SHELL: NICKEL 1.30 MICROMETER MIN.

3. MECHANICAL PROPERTIES:

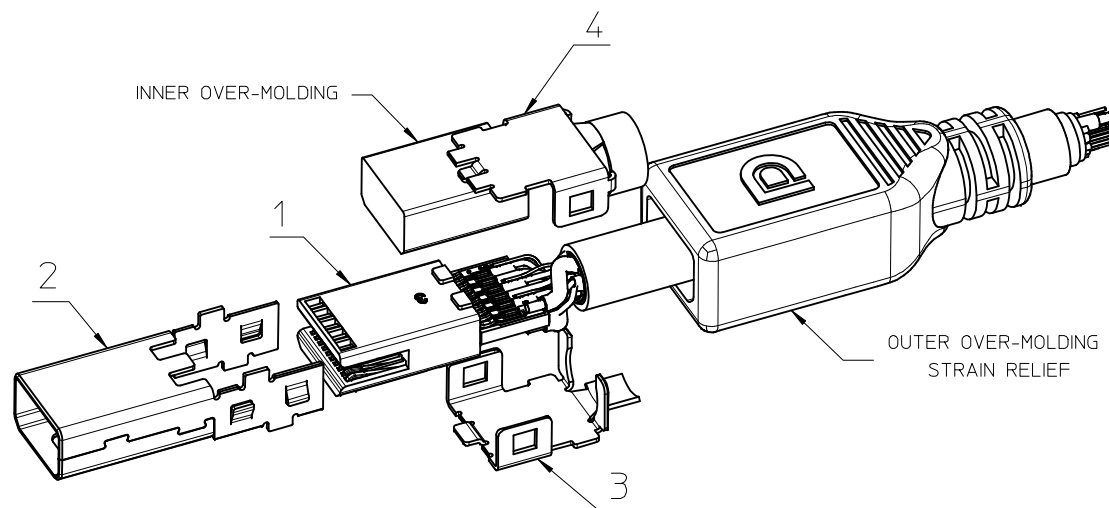
- 3.1. TERMINAL RETENTION FORCE: 0.5 Kgf MIN.
- 3.2. MATING FORCE: 4.0 Kgf MAX.
- 3.3. NORMAL FORCE: 25gf MIN.
- 3.4. DURABILITY: 1500 CYCLES.

4. ELECTRICAL PROPERTIES:

- 4.1. APPLIED VOLTAGE RATING: 30V AC (RMS)
- 4.2. CONTACT CURRENT RATING: 0.5 Amp
- 4.3. DIELECTRIC WITHSTANDING: 200V AC MIN.
- 4.4. INSULATION RESISTANCE: 100 Megaohm MIN.

5. ENVIRONMENTAL PROPERTIES:

- 5.1. OPERATING TEMPERATURE: -20°C TO 85°C.
 - 5.2. BE APPLICABLE TO HANDWORK SOLDER & IR-REFLOW PROCESS
6. THIS PRODUCT COMPLIANT TO RoHS DIRECTIVE 2002/95/EC, AND ELV DIRECTIVE 2000/53/EC.

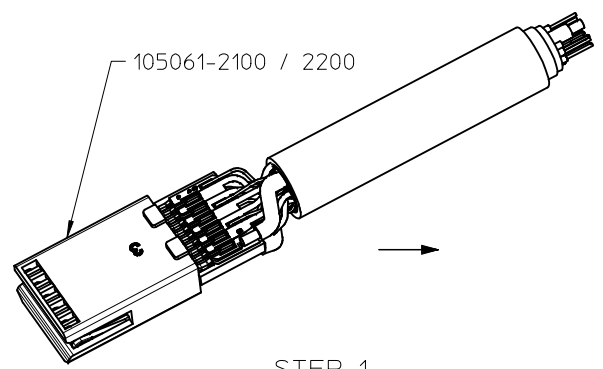


NOTES:

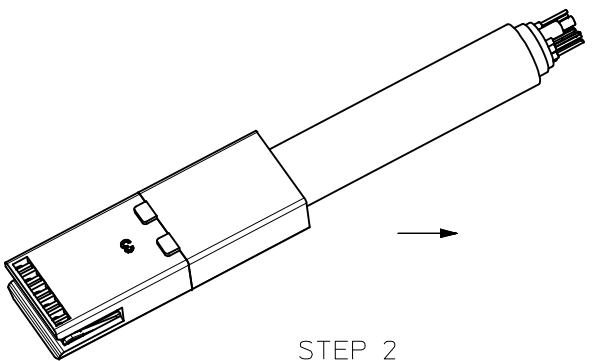
OVER-MOLDING ONLY FOR REFERENCE

NEW PRODUCT EC NO: SH2010-0088 DRW:KWEI 2009/09/14 CHK:RZHANG 2009/09/14 APPR:XJ.SONG 2009/09/21	DESCRIPTION REV	QUALITY SYMBOLS	GENERAL TOLERANCES (UNLESS SPECIFIED)	DIMENSION STYLE	SCALE	DESIGN UNITS	THIRD ANGLE PROJECTION															
		$\nabla=0$ $\square=0$	<table border="1"> <thead> <tr> <th></th> <th>mm</th> <th>INCH</th> </tr> </thead> <tbody> <tr> <td>4 PLACES</td> <td>±---</td> <td>±---</td> </tr> <tr> <td>3 PLACES</td> <td>±---</td> <td>±---</td> </tr> <tr> <td>2 PLACES</td> <td>±---</td> <td>±---</td> </tr> <tr> <td>1 PLACE</td> <td>±---</td> <td>±---</td> </tr> </tbody> </table>		mm	INCH	4 PLACES	±---	±---	3 PLACES	±---	±---	2 PLACES	±---	±---	1 PLACE	±---	±---	MM ONLY	N/A	METRIC	
			mm	INCH																		
		4 PLACES	±---	±---																		
3 PLACES	±---	±---																				
2 PLACES	±---	±---																				
1 PLACE	±---	±---																				
	<table border="1"> <thead> <tr> <th>DRAWN BY</th> <th>DATE</th> <th>TITLE</th> </tr> </thead> <tbody> <tr> <td>KLAUS WEI</td> <td>2008/03/31</td> <td>MINI DISPLAY PORT PLUG</td> </tr> <tr> <td>CHECKED BY</td> <td>DATE</td> <td></td> </tr> <tr> <td>ROST ZHANG</td> <td>2008/03/31</td> <td></td> </tr> <tr> <td>APPROVED BY</td> <td>DATE</td> <td></td> </tr> <tr> <td>HARVEY WANG</td> <td>2008/03/31</td> <td></td> </tr> </tbody> </table>	DRAWN BY	DATE	TITLE	KLAUS WEI	2008/03/31	MINI DISPLAY PORT PLUG	CHECKED BY	DATE		ROST ZHANG	2008/03/31		APPROVED BY	DATE		HARVEY WANG	2008/03/31		MOLEX INCORPORATED		
DRAWN BY	DATE	TITLE																				
KLAUS WEI	2008/03/31	MINI DISPLAY PORT PLUG																				
CHECKED BY	DATE																					
ROST ZHANG	2008/03/31																					
APPROVED BY	DATE																					
HARVEY WANG	2008/03/31																					
	DRAFT WHERE APPLICABLE MUST REMAIN WITHIN DIMENSIONS	SEE TABLE	MATERIAL NO. SD-105061-200		SHEET NO. 2 OF 7																	
			THIS DRAWING CONTAINS INFORMATION THAT IS PROPRIETARY TO MOLEX INCORPORATED AND SHOULD NOT BE USED WITHOUT WRITTEN PERMISSION																			

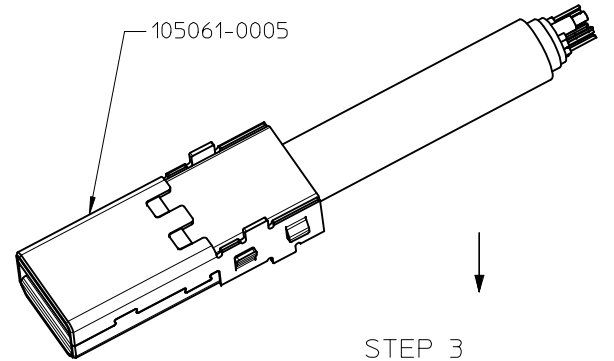
ASSEMBLY PROCEDURE



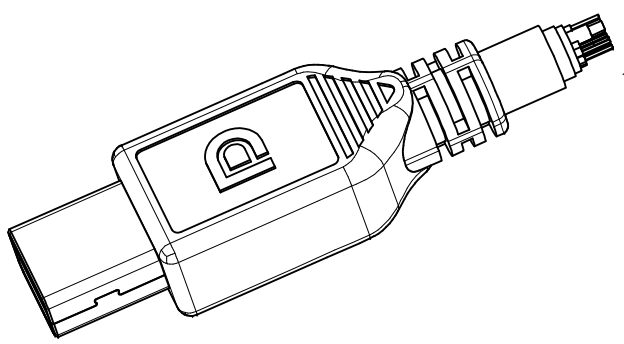
STEP 1
SOLDER WIRE



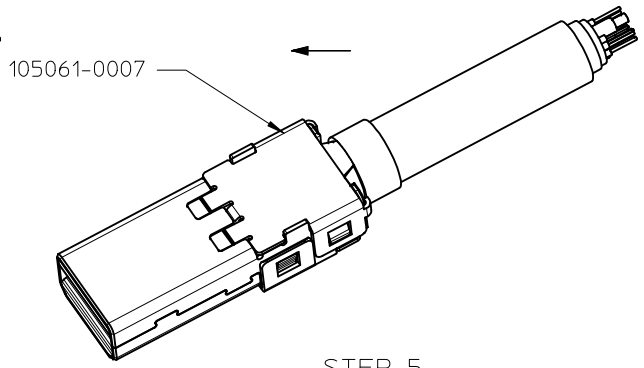
STEP 2
INNER OVER-MOLDING



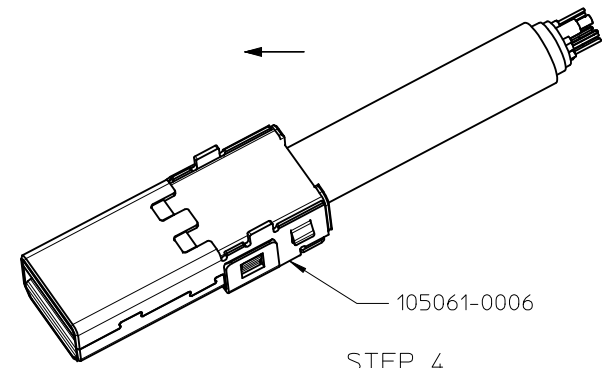
STEP 3
ASSEMBLE MAIN SHELL



STEP 6
OUTER OVER-MOLDING

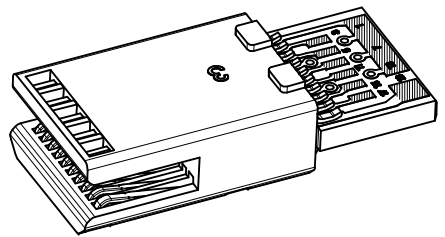
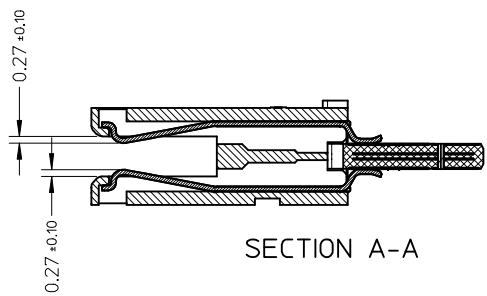
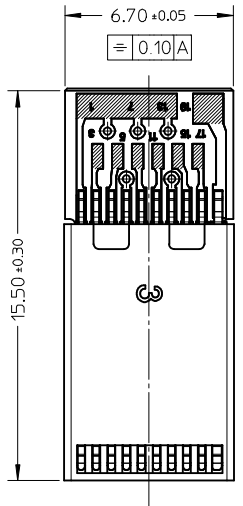


STEP 5
ASSEMBLE TOP SHELL AND CRIMPING

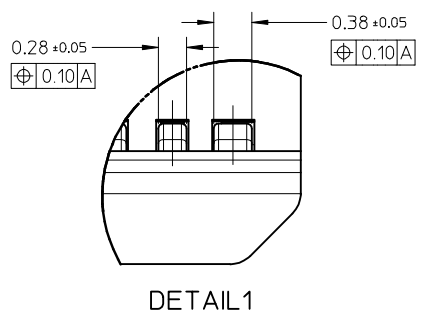
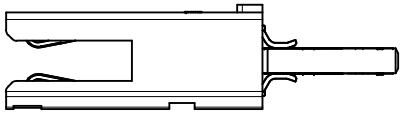
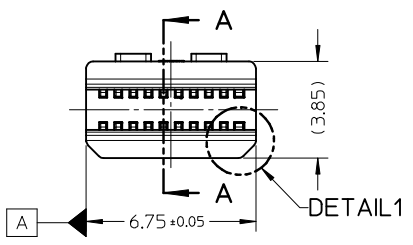


STEP 4
ASSEMBLE BOTTOM SHELL

NEW PRODUCT IEC NO: SH2010-0088 DRW:KWCWEI 2009/09/14 CH:KDRZHANG 2009/09/14 APPR:XJ.SONG 2009/09/21 REV B	QUALITY SYMBOLS ▽=0 ◻=0	GENERAL TOLERANCES (UNLESS SPECIFIED) <table border="1"> <thead> <tr> <th></th> <th>mm</th> <th>INCH</th> </tr> </thead> <tbody> <tr> <td>4 PLACES</td> <td>±---</td> <td>±---</td> </tr> <tr> <td>3 PLACES</td> <td>±---</td> <td>±---</td> </tr> <tr> <td>2 PLACES</td> <td>±---</td> <td>±---</td> </tr> <tr> <td>1 PLACE</td> <td>±---</td> <td>±---</td> </tr> <tr> <td colspan="3">ANGULAR ±---°</td> </tr> </tbody> </table>		mm	INCH	4 PLACES	±---	±---	3 PLACES	±---	±---	2 PLACES	±---	±---	1 PLACE	±---	±---	ANGULAR ±---°			DIMENSION STYLE MM ONLY	SCALE N/A	DESIGN UNITS METRIC	THIRD ANGLE PROJECTION
		mm	INCH																					
	4 PLACES	±---	±---																					
	3 PLACES	±---	±---																					
2 PLACES	±---	±---																						
1 PLACE	±---	±---																						
ANGULAR ±---°																								
DRAWN BY KLAUS WEI	DATE 2008/03/31	TITLE MINI DISPLAY PORT PLUG																						
CHECKED BY ROST ZHANG	DATE 2008/03/31	APPROVED BY HARVEY WANG 2008/03/31																						
MATERIAL NO. SEE ABOVE		MOLEX INCORPORATED			DOCUMENT NO. SD-105061-200	SHEET NO. 3 OF 7																		
DRAFT WHERE APPLICABLE MUST REMAIN WITHIN DIMENSIONS																								
THIS DRAWING CONTAINS INFORMATION THAT IS PROPRIETARY TO MOLEX INCORPORATED AND SHOULD NOT BE USED WITHOUT WRITTEN PERMISSION																								



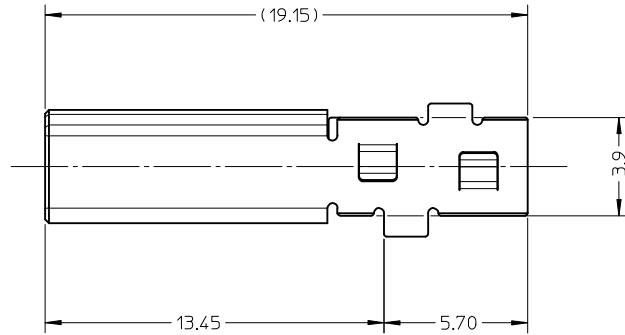
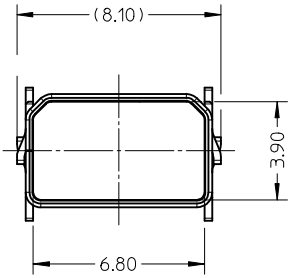
- NOTES:
1. MATERIAL:
 PLASTIC: LCP ,UL94V-0 .
 METAL: COPPER OR COPPER ALLOY.
 2. PACKAGING SPECIFICATION : PK-105061-001.
 3. PRODUCT SPECIFICATION: PS-105061-001.



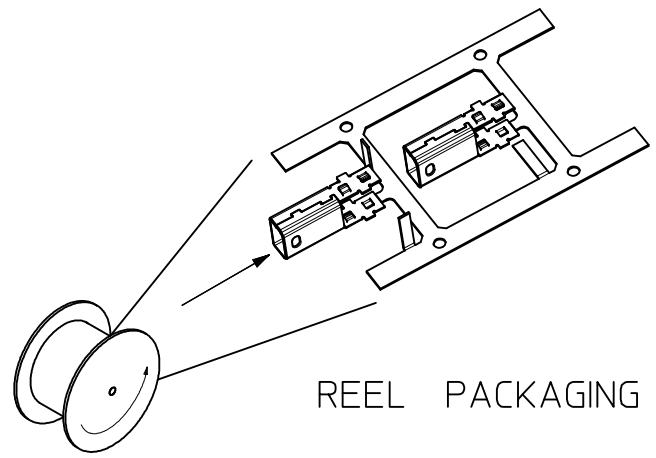
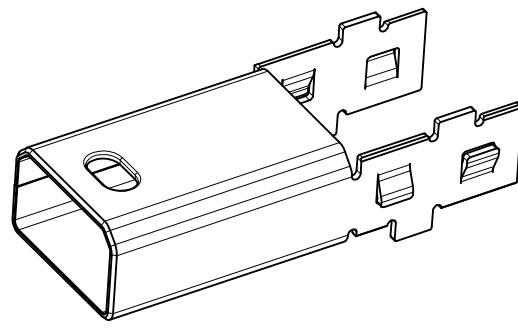
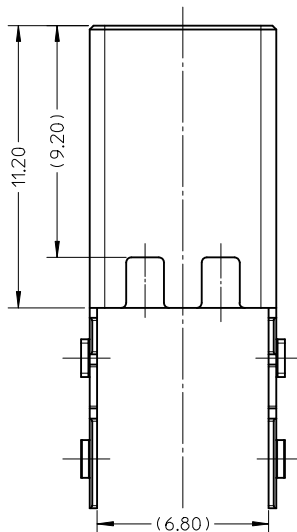
105061-2200	LCP	WHITE
105061-2100	LCP	BLACK
PART NUMBER	RESIN TYPE	COLOR

NEW PRODUCT EC NO: SH2010-0088 DRW:KWEI CH:KDRZHANG APPR:XJ.SONG	2009/09/14 2009/09/14 2009/09/21	DESCRIPTION REV B	QUALITY SYMBOLS ▽=0 ◻=0	GENERAL TOLERANCES (UNLESS SPECIFIED)		DIMENSION STYLE MM ONLY		SCALE 5:1	DESIGN UNITS METRIC	THIRD ANGLE PROJECTION		
					mm	INCH	DRAWN BY KLAUS WEI	DATE 2008/03/31	TITLE SUB-ASSEMBLY			
				4 PLACES	± ---	± ---	CHECKED BY ROST ZHANG	DATE 2008/03/31				
				3 PLACES	± ---	± ---	APPROVED BY HARVEY WANG	DATE 2008/03/31	MOLEX INCORPORATED			
	2 PLACES	± 0.10	± ---	ANGULAR ± ---°		105061-2*00		DOCUMENT NO. SD-105061-200	SHEET NO. 4 OF 7			
DRAFT WHERE APPLICABLE MUST REMAIN WITHIN DIMENSIONS				SIZE A3	THIS DRAWING CONTAINS INFORMATION THAT IS PROPRIETARY TO MOLEX INCORPORATED AND SHOULD NOT BE USED WITHOUT WRITTEN PERMISSION							

10 9 8 7 6 5 4 3 2 1



- NOTES:
1. MATERIALS: COPPER ALLOY
THICKNESS: 0.30±0.01mm..
 2. FINISH: NICKEL 1.30 MICROMETRE MIN.
 3. COMPLIANT TO RoHS DIRECTIVE 2002/95/EC AND ELV DIRECTIVE 2000/53/EC.
 4. PACKAGING QUANTITIES : 800 PCS PER REEL.

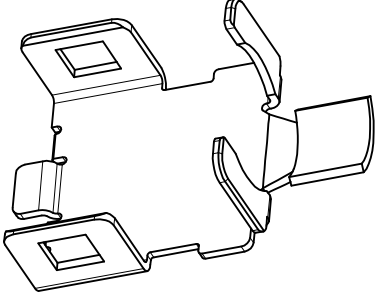
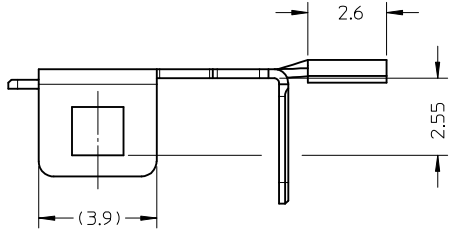


REEL PACKAGING

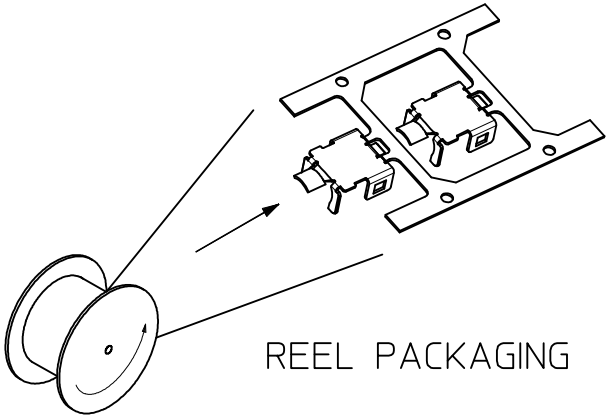
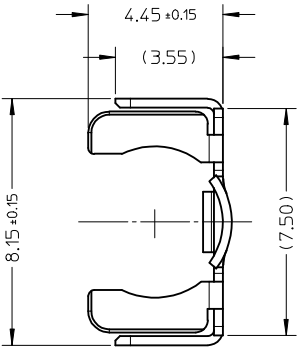
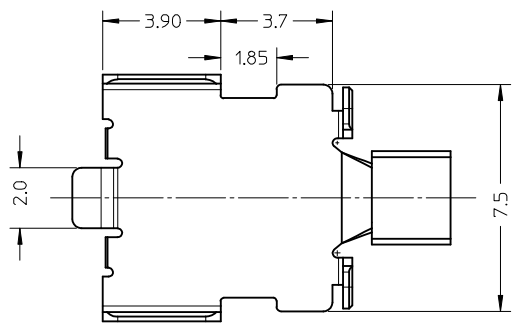
NEW PRODUCT EC NO: SH2010-0088 DRW:KWEI 2009/09/14 CHK:RZHANG 2009/09/14 APPR:XJ.SONG 2009/09/21	DESCRIPTION REV	QUALITY SYMBOLS	GENERAL TOLERANCES (UNLESS SPECIFIED)	DIMENSION STYLE	SCALE	DESIGN UNITS	THIRD ANGLE PROJECTION
		$\nabla=0$ $\triangle=0$	mm INCH	MM ONLY	5:1	METRIC	
		4 PLACES ± --- ± --- 3 PLACES ± --- ± --- 2 PLACES ± 0.10 ± --- 1 PLACE ± 0.15 ± --- ANGULAR ± ---°	DRAWN BY: KLAUS WEI CHECKED BY: ROST ZHANG APPROVED BY: HARVEY WANG MATERIAL NO. 105061-0005	DATE: 2008/03/31 DATE: 2008/03/31 DATE: 2008/03/31	TITLE: MAIN SHELL MOLEX INCORPORATED DOCUMENT NO. SD-105061-200	SHEET NO. 5 OF 7	
		DRAFT WHERE APPLICABLE MUST REMAIN WITHIN DIMENSIONS	SIZE: A3 THIS DRAWING CONTAINS INFORMATION THAT IS PROPRIETARY TO MOLEX INCORPORATED AND SHOULD NOT BE USED WITHOUT WRITTEN PERMISSION				

9 8 7 6 5 4 3 2 1

10 9 8 7 6 5 4 3 2 1



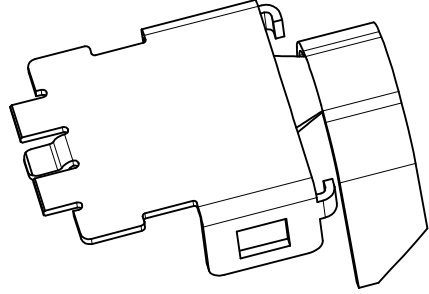
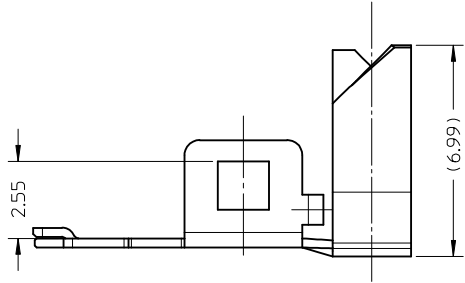
- NOTES:
1. MATERIALS: COPPER ALLOY.
THICKNESS: 0.30±0.01mm.
 2. FINISH: NICKEL 1.30 MICROMETRE MIN.
 3. COMPLIANT TO RoHS DIRECTIVE 2002/95/EC AND ELV DIRECTIVE 2000/53/EC.
 4. PACKAGING QUANTITIES : 1500 PCS PER REEL.



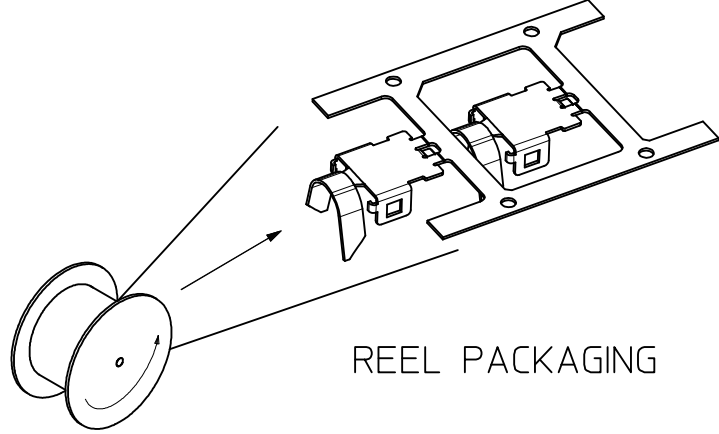
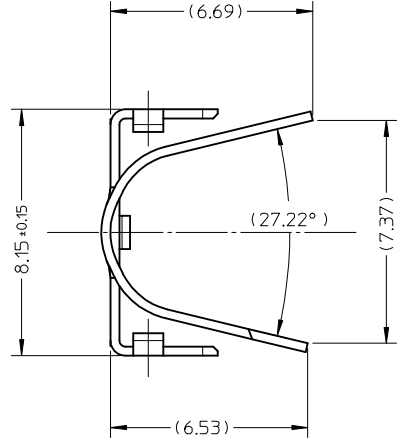
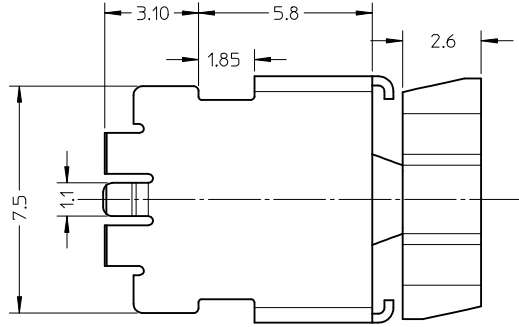
REEL PACKAGING

NEW PRODUCT EC NO: SH2010-0088 DRW:KWEI 2009/09/14 CHK:RZHANG 2009/09/14 APPR:XJSONG 2009/09/21	QUALITY SYMBOLS ▽=0 Ⓢ=0	GENERAL TOLERANCES (UNLESS SPECIFIED)		DIMENSION STYLE MM ONLY		SCALE 5:1	DESIGN UNITS METRIC	THIRD ANGLE PROJECTION		
			mm	INCH	DRAWN BY	DATE	TITLE			
		4 PLACES	±---	±---	KLAUS WEI	2008/03/31	BOTTOM SHELL			
		3 PLACES	±---	±---	CHECKED BY	DATE				
2 PLACES	±0.10	±---	ROST ZHANG	2008/03/31	MOLEX INCORPORATED					
1 PLACE	±0.15	±---	APPROVED BY	DATE						
	ANGULAR ±---°		HARVEY WANG	2008/03/31	MATERIAL NO. 105061-0006		DOCUMENT NO. SD-105061-200		SHEET NO. 6 OF 7	
DRAFT WHERE APPLICABLE MUST REMAIN WITHIN DIMENSIONS			SIZE	THIS DRAWING CONTAINS INFORMATION THAT IS PROPRIETARY TO MOLEX INCORPORATED AND SHOULD NOT BE USED WITHOUT WRITTEN PERMISSION						

9 8 7 6 5 4 3 2 1



- NOTES:
1. MATERIALS: COPPER ALLOY.
THICKNESS: 0.30±0.01mm.
 2. FINISH: NICKEL 1.30 MICROMETRE MIN.
 3. COMPLIANT TO RoHS DIRECTIVE 2002/95/EC AND ELV DIRECTIVE 2000/53/EC.
 4. PACKAGING QUANTITIES : 1500 PCS PER REEL.



REEL PACKAGING

NEW PRODUCT EC NO: SH2010-0088 DRW:KWEI 2009/09/14 CHKD:RZHANG 2009/09/14 APPR:XJ.SONG 2009/09/21	DESCRIPTION REV	QUALITY SYMBOLS	GENERAL TOLERANCES (UNLESS SPECIFIED)		DIMENSION STYLE MM ONLY		SCALE 5:1	DESIGN UNITS METRIC	THIRD ANGLE PROJECTION	
		▽=0 Ⓢ=0	mm	INCH	DRAWN BY KLAUS WEI	DATE 2008/03/31	TITLE TOP SHELL			
		4 PLACES ± --- ± --- 3 PLACES ± --- ± --- 2 PLACES ± 0.10 ± --- 1 PLACE ± 0.15 ± ---	ANGULAR ± ---°		CHECKED BY ROST ZHANG	DATE 2008/03/31	MATERIAL NO. 105061-0007			
		DRAFT WHERE APPLICABLE MUST REMAIN WITHIN DIMENSIONS		APPROVED BY HARVEY WANG		DATE 2008/03/31	DOCUMENT NO. SD-105061-200		SHEET NO. 7 OF 7	