

6

5

4

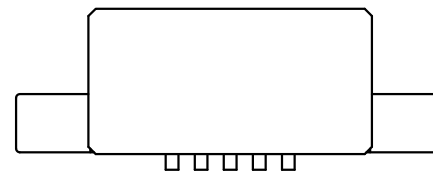
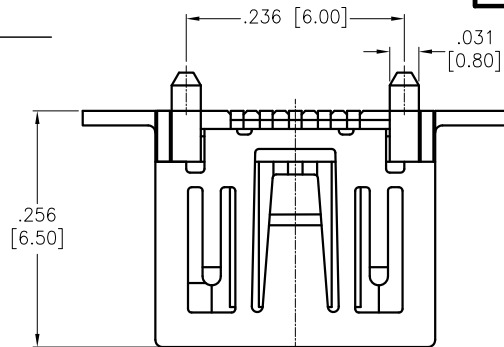
3

2

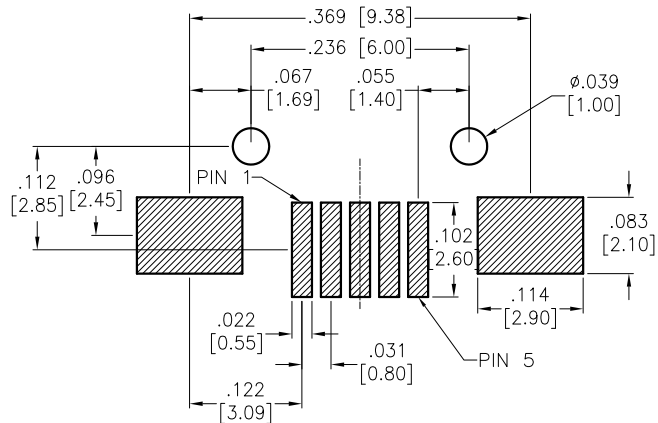
1

APPROVED: \_\_\_\_\_  
 DATE: \_\_\_\_\_ TITLE: \_\_\_\_\_

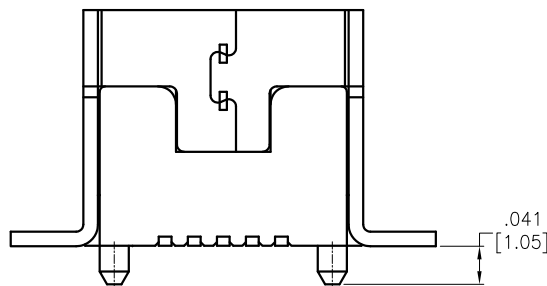
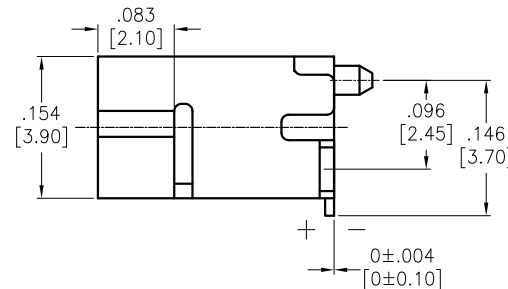
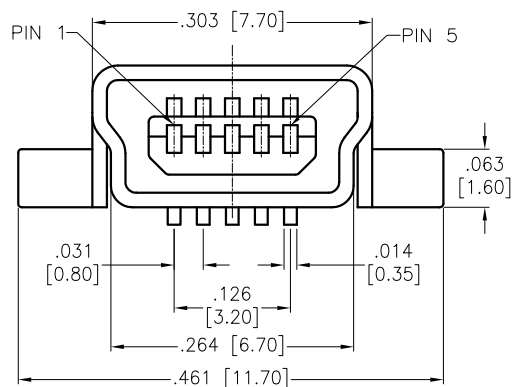
Rev	AWO #	Description	Date	Appr
-		RELEASED	2/27/18	



WITH CAP



RECOMMENDED P.C.B LAYOUT



**SPECIFICATIONS:**

Material:  
 Insulator: Hi-temp thermoplastic, rated UL 94V-0  
 Insulator color: Black  
 Contacts: Phosphor Bronze  
 Shell: Brass, Nickel Plated

**Plating:**  
 10u" Gold over Nickel underplate on contact area,  
 Tin over Copper underplate on solder tails

**Electrical:**  
 Current Rating: 2A  
 Contact resistance: 50 Mohms max  
 Insulation resistance: 1,000 Mohms min @ 500 VDC  
 Dielectric withstanding voltage: 500V AC for 1 minute  
 Temperature Rating:  
 Operating temperature: -25°C to +85°C  
 Environmental:  
 Lead free, RoHS compliant.



PACKAGED ON TAPE & REEL

UNLESS OTHERWISE SPECIFIED ALL DIMENSIONS ARE INCHES [MM] TOLERANCES: EXCEPT AS NOTED		<b>ADAM TECH</b>		909 Rahway Avenue, Union, NJ 07083 Phone: 908-687-5000 Fax: 908-687-5710	
INCHES		HOLES		TITLE	
.X ± .10	∅.X ± .10	MINI USB, TYPE B, 5PIN, VERTICAL, TRUE SMT			
.XX ± .020	∅.XX ± .015	APPROVALS		DATE	
.XXX ± .015	∅.XXX ± .010	DRAWN	AY	2/27/18	
		CHECKED	YC	2/27/18	
		APPROVED			
SIZE	PART NO.	REV.			
X	MUSB-B5-S-VT-TSMT-CS1-10-PP-T/R	-	REF:	S00275T	SHEET 1 OF 1
SCALE: NTS					

6

5

4

3

2

1