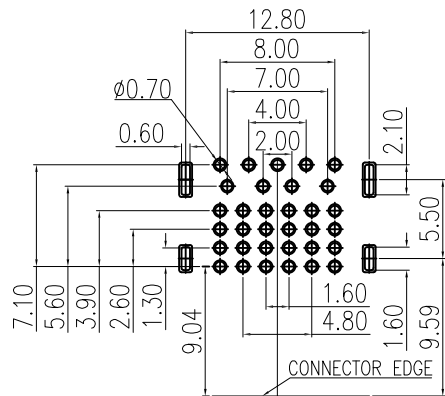
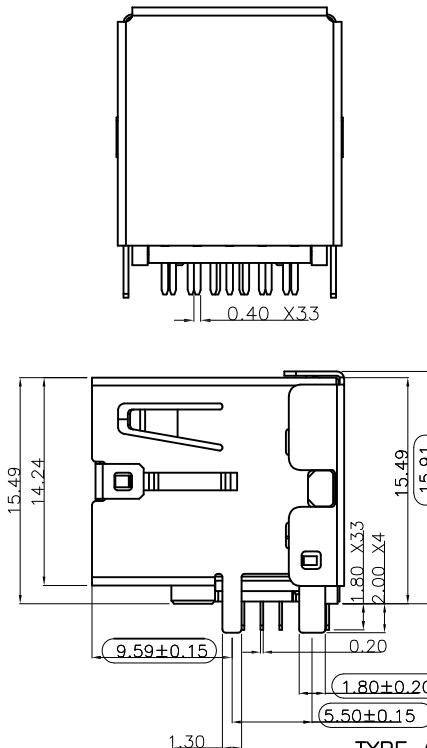
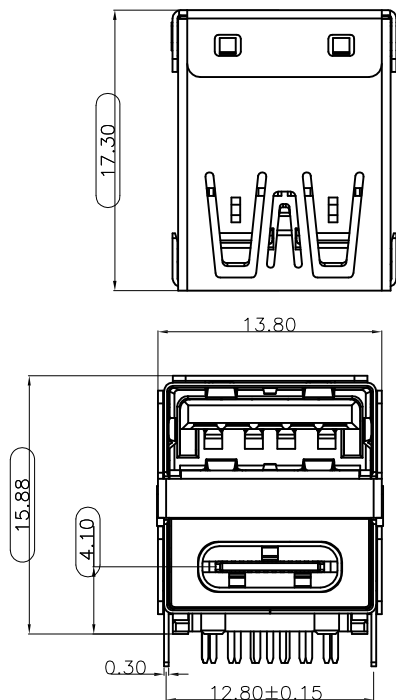


APPROVED: \_\_\_\_\_  
 DATE: \_\_\_\_\_ TITLE: \_\_\_\_\_

Rev	AWO #	Description	Date	Appr
-		RELEASED	11/12/19	
A		UPDATE DRAWING	10/22/20	LH/JL



RECOMMENDED PCB LAYOUT



TYPE A PIN DEFINE

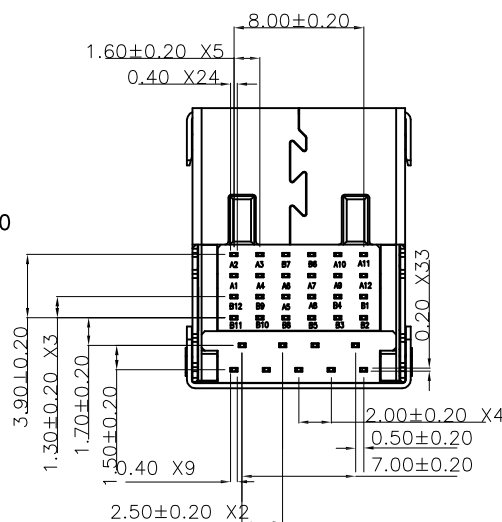
PIN NUMBER	SIGNAL NAME
1	VBUS
2	D-
3	D+
4	GND
5	StdA_SSRX-
6	StdA_SSRX+
7	GND_DRAIN
8	StdA_SSTX-
9	StdA_SSTX+

TYPE C PIN DEFINE

	A		B
1	GND	12	GND
2	TX1+	11	RX1+
3	TX1-	10	RX1-
4	VBUS	9	VBUS
5	CC1	8	SBU2
6	Da+	7	Db-
7	Da-	6	Db+
8	SBU1	5	CC2
9	VBUS	4	VBUS
10	RX2-	3	TX2-
11	RX2+	2	TX2+
12	GND	1	GND

SPECIFICATIONS:

Material:  
 Insulator: High Temp Thermoplastic, rated UL 94V-0  
 Insulator color: Black  
 Contacts: Copper Alloy  
 Shell: Stainless Steel, SUS301, Nickel plated  
 Plating:  
 Gold flash over Nickel underplate on contact area,  
 Matte Tin over Nickel underplate on solder tails  
 Electrical:  
 Voltage Rated: Type-C: 100 VAC  
 Current Rated: Type-A: 1.5 A max @250 VAC Min  
 Type-C: 5 A max @250 VAC Min  
 Contact resistance: Type A: 30 mohms  
 Type C: 40 mohms  
 Insulation resistance: 100 Mohms  
 Dielectric withstanding voltage: 100 VAC  
 Environmental:  
 Lead free, RoHS compliant.



UNLESS OTHERWISE SPECIFIED  
 ALL DIMENSIONS ARE MILLIMETERS  
 TOLERANCES: EXCEPT AS NOTED

MM	ANGLE
.X ± 0.38	X' ± 3'
.XX ± 0.25	X.X' ± 2'
	X.XX' ± 1'

APPROVALS		DATE
DRAWN	LH	11/12/19
CHECKED	TW	11/12/19
APPROVED		

**ADAM TECH**  
 INTERCONNECTS  
 909 Rahway Avenue,  
 Union, NJ 07083  
 Phone: 908-687-5000  
 Fax: 908-687-5710

TITLE			
UNIVERSAL SERIAL BUS, DUAL PORT, RIGHT ANGLE TYPE A 3.0 OVER C 3.1, PCB, TERMINALS			
SIZE	PART NO.	REV.	
X	USB-A3/C31-D-RA-CS1	A	
REF:	S00013T	SCALE:	NTS
		SHEET 1 OF 1	