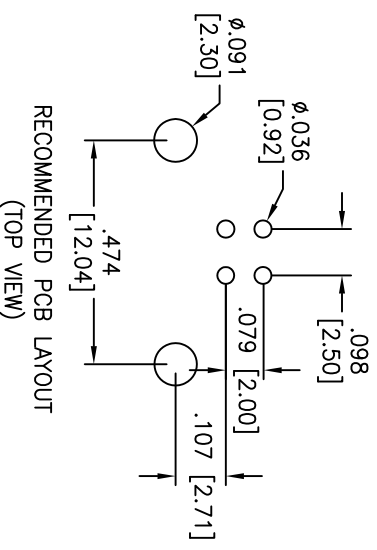
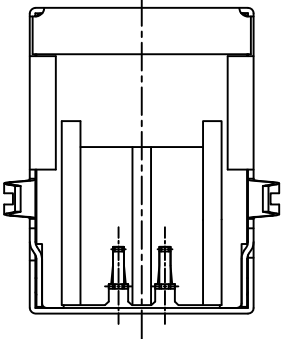
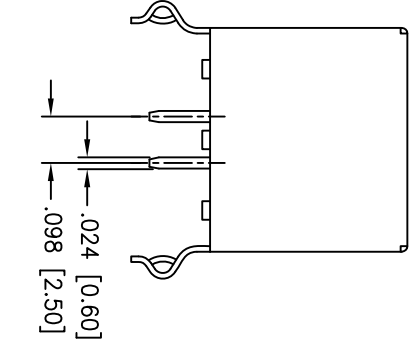
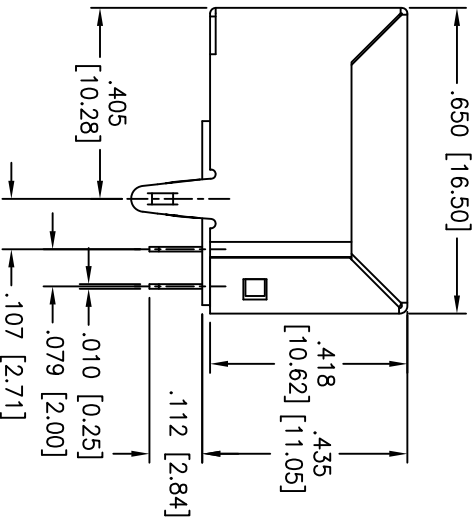
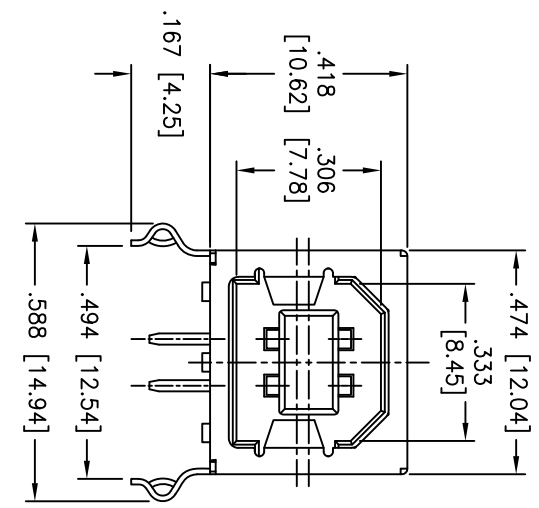


| Rev | AWO # | Description | Date | Appr |
|-----|-------|-------------|---------|------|
| - | | RELEASED | 5/12/10 | |

APPROVED: _____ TITLE: _____
 DATE: _____



RECOMMENDED PCB LAYOUT
(TOP VIEW)

SPECIFICATIONS:
Material:
 Insulator: PBT, glass filled, rated UL 94V-0
 Insulator color: White
 Contacts: Phosphor Bronze
 Shell: SPCC, Nickel plated
 Plating:
 Gold flash over Nickel underplate on contact area,
 Tin over Copper underplate on PCB tails
Electrical:
 Operating voltage: 30 VAC
 Current rating: 1.5 Amp @ 250V AC
 Contact resistance: 30 mohms max
 Insulation resistance: 1000 Mohms min
 Dielectric withstanding voltage: 500 VAC for 1 minute
Temperature Rating:
 Operating temperature: -20°C to +60°C
Environmental:
 Lead free, RoHS compliant.



UNLESS OTHERWISE SPECIFIED
 ALL DIMENSIONS ARE MM [INCHES]
 TOLERANCES: EXCEPT AS NOTED
 INCHES: _____
 HOLES: _____
 .X ± .10 ØX ± .10
 .XX ± .020 ØXX ± .015
 .XXX ± .015 ØXXX ± .010

ADAM TECH
 909 Rahway Avenue, Union, NJ 07083
 Phone: 908-687-5000 Fax: 908-687-5710

| | | | | | | |
|----------|----|---------|------|----------|--------------------|--------------|
| DRAWN | DY | 5/12/10 | SIZE | PART NO. | USB-B-S-RA-WT-SPCC | REV. |
| CHECKED | | | X | | | |
| APPROVED | | | REF: | S00015C | SCALE: NTS | SHEET 1 OF 1 |