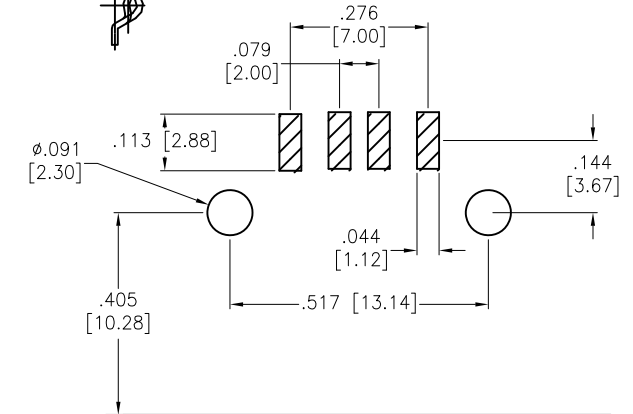
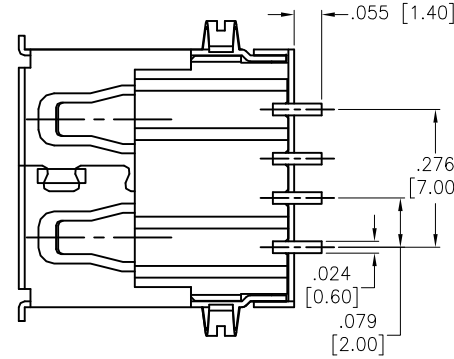
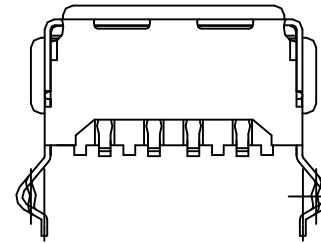
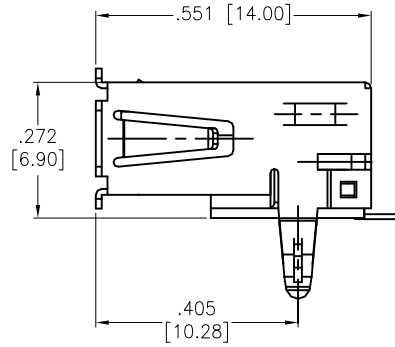
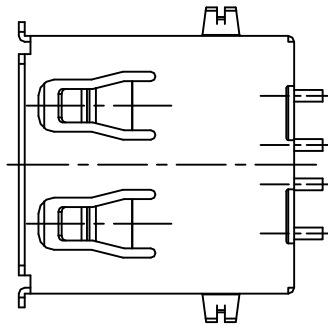


APPROVED: _____
 DATE: _____ TITLE: _____

Rev	AWO #	Description	Date	Appr
-		RELEASED	5/15/06	
A		REDRAWN	6/10/11	
B		REVISED DIM.	6/11/13	
C		UPDATE DRAWING	5/25/20	LH/LW



RECOMMENDED PCB LAYOUT

SPECIFICATIONS:

Material:
 Insulator: Hi-temp thermoplastic, rated UL 94V-0
 Insulator color: Black
 Contacts: Copper alloy
 Shell: Copper alloy, Nickel plated
 Plating:
 Gold flash over Nickel underplate on contact area,
 Tin over Nickel underplate on SMT tails
 Electrical:
 Voltage rating: 30 V RMS.
 Current rating: 1.5 Amp
 Contact resistance: 30 mohms max.
 Insulation resistance: 1000 Mohms min. @500 VDC
 Dielectric withstanding voltage: 500 VAC for 1 minute
 Temperature Rating:
 Operating temperature: -40°C to +85°C
 Environmental:
 Lead free, RoHS compliant.



UNLESS OTHERWISE SPECIFIED
 ALL DIMENSIONS ARE INCHES [MM]
 TOLERANCES: EXCEPT AS NOTED
 INCHES HOLES
 .X ± .10 ∅X ± .10
 .XX ± .020 ∅XX ± .015
 .XXX ± .015 ∅XXX ± .010

ADAM TECH
 INTERCONNECTS
 909 Rahway Avenue,
 Union, NJ 07083
 Phone: 908-687-5000
 Fax: 908-687-5710

APPROVALS		DATE
DRAWN	SS	5/15/06
CHECKED		
APPROVED		

TITLE UNIVERSAL SERIAL BUS SINGLE PORT, RIGHT ANGLE, SMT		
SIZE X	PART NO. USB-A-S-RA-SMT	REV. C
REF: S00005C	SCALE: NTS	SHEET 1 OF 1