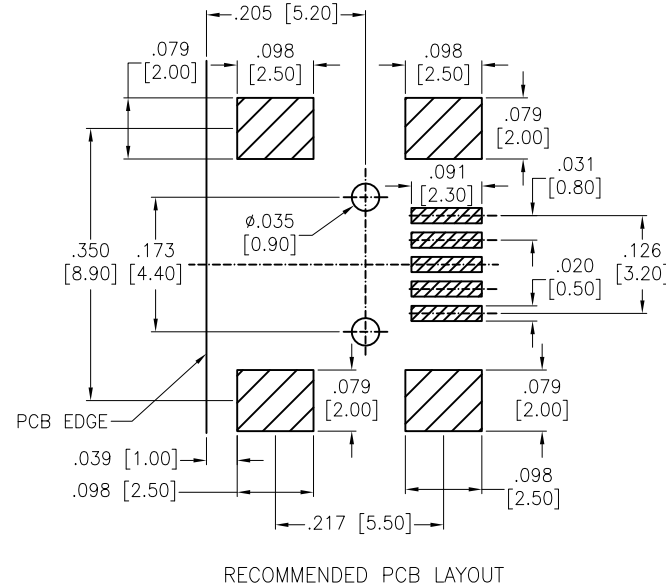
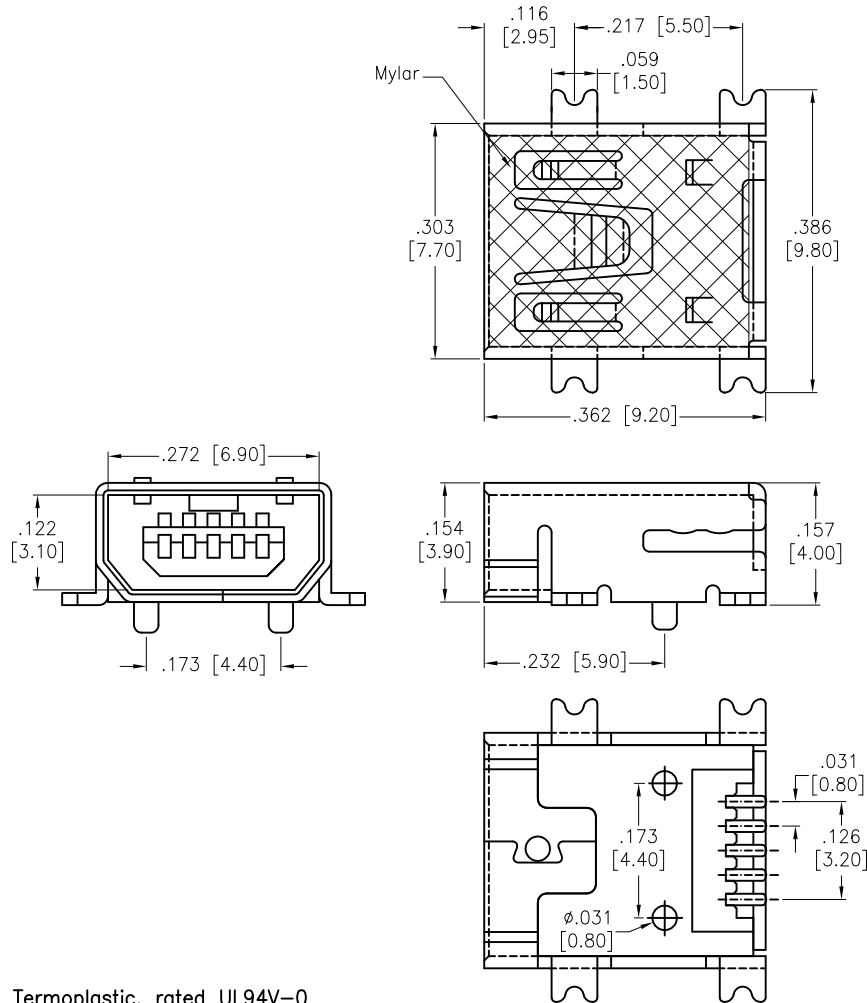


APPROVED: _____
 DATE: _____ TITLE: _____

Rev	AWO #	Description	Date	Appr
-		RELEASED	9/29/11	
A		UPDATED DRAWING	12/26/14	HR/NP



SPECIFICATIONS:

Material:
 Insulator: Hi-Temp Thermoplastic, rated UL94V-0
 Insulator color: Black
 Contacts: Copper Alloy
 Shell: Brass, Nickel plated

Plating:
 Gold flash over Nickel underplate on contact area,
 Tin over Copper underplate on solder tails

Electrical:
 Operating voltage: 30 VDC max
 Current rating: 1.0 Amp max.
 Contact resistance: 50 mohms max.
 Insulation resistance: 100 Mohms min.
 Dielectric withstanding voltage: 500 VAC for 1 minute
 Environmental:
 Lead free, RoHS compliant.



PACKAGED ON TAPE & REEL

UNLESS OTHERWISE SPECIFIED ALL DIMENSIONS ARE INCHES [MM] TOLERANCES: EXCEPT AS NOTED		ADAM TECH 909 Rahway Avenue, Union, NJ 07083 Phone: 908-687-5000 Fax: 908-687-5710	
INCHES HOLES .X ± .10 Ø.X ± .10 .XX ± .020 Ø.XX ± .015 .XXX ± .015 Ø.XXX ± .010			
APPROVALS		TITLE	
DRAWN	TW	MINI USB, TYPE AB, SINGLE PORT RIGHT ANGLE, TRUE SMT, TAPE & REEL	
CHECKED	AY	SIZE	PART NO.
APPROVED		X	MUSB-AB1-S-RA-TSMT-KT-T/R
		REV.	A
		REF:	S00126T
		SCALE:	NTS
		SHEET	1 OF 1