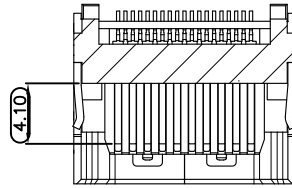


APPROVED: _____
 DATE: _____ TITLE: _____

Rev	AWO #	Description	Date	Appr
-		RELEASED	10/5/06	
A		UPDATED DRAWING	10/19/18	HR/IW



SECTION A-A

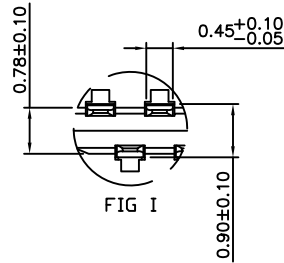
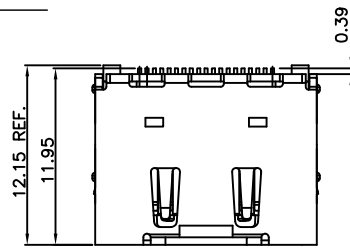


FIG I

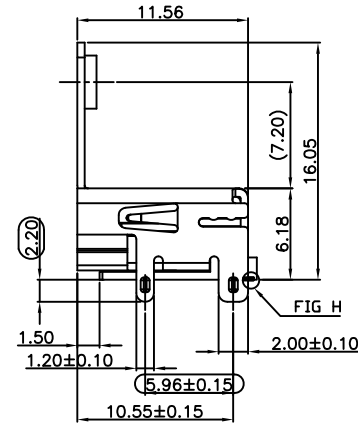
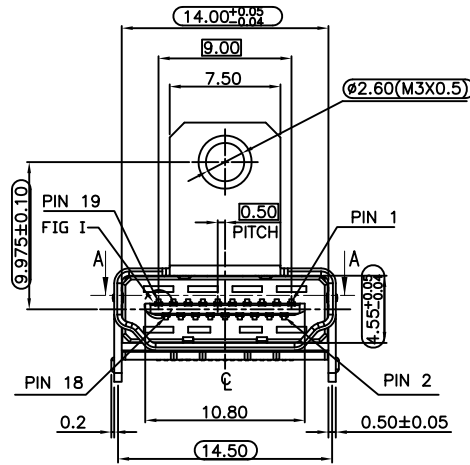


FIG H

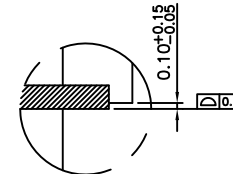
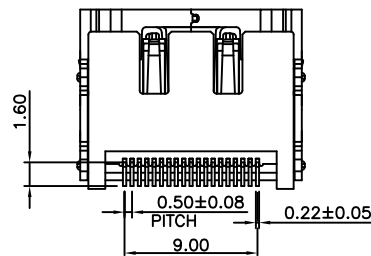


FIG H

SPECIFICATIONS:

Material:
 Insulator: Hi-Temp Thermoplastic, rated UL 94V-0
 Insulator color: Black
 Contacts: Copper Alloy
 Shield: Copper Alloy, Nickel Plated
 Plating:
 Gold Flash over Nickel underplate on contact area,
 Tin over Nickel underplate on tails
 Environmental:
 Lead free, RoHS compliant.



UNLESS OTHERWISE SPECIFIED
 ALL DIMENSIONS ARE MILLIMETERS
 TOLERANCES: EXCEPT AS NOTED

MM	ANG.
0. ± 0.3	± 1°
0.0 ± 0.25	
0.00 ± 0.20	

APPROVALS		DATE
DRAWN	SS	10/5/06
CHECKED		
APPROVED		

ADAM TECH INTERCONNECTS
 909 Rahway Avenue,
 Union, NJ 07083
 Phone: 908-687-5000
 Fax: 908-687-5710

TITLE: HDMI CONNECTOR, 19 POS, RIGHT ANGLE
 SURFACE MOUNT, NO PEG, FLANGE

SIZE X	PART NO. HDMI-S-RA-SMT-MF	REV. A
REF: S00013T	SCALE: NTS	SHEET 1 OF 2

6 5 4 3 2 1

APPROVED: _____
 DATE: _____ TITLE: _____

Rev	AWO #	Description	Date	Appr
SEE SHT 1 OF 2 FOR REVISION				

RECOMMENDED PCB LAYOUT (THICKNESS=1.6±0.15mm)
 TOLERANCES: ±0.05mm

REFERENCE PANEL CUT OUT DIMENSION

REFERENCE MOUNT DIMENSION

UNLESS OTHERWISE SPECIFIED
 ALL DIMENSIONS ARE MILLIMETERS
 TOLERANCES: EXCEPT AS NOTED

MM	ANG.
0. ± 0.3	
0.0 ± 0.25	± 1°
0.00 ± 0.20	

APPROVALS		DATE
DRAWN	SS	10/5/06
CHECKED		
APPROVED		

ADAM TECH INTERCONNECTS

909 Rahway Avenue,
 Union, NJ 07083
 Phone: 908-687-5000
 Fax: 908-687-5710

TITLE	HDMI CONNECTOR, 19 POS, RIGHT ANGLE SURFACE MOUNT, NO PEG, FLANGE		
SIZE	PART NO.	REV.	
X	HDMI-S-RA-SMT-MF	A	
REF:	S00013T	SCALE:	NTS
		SHEET	2 OF 2

6 5 4 3 2 1