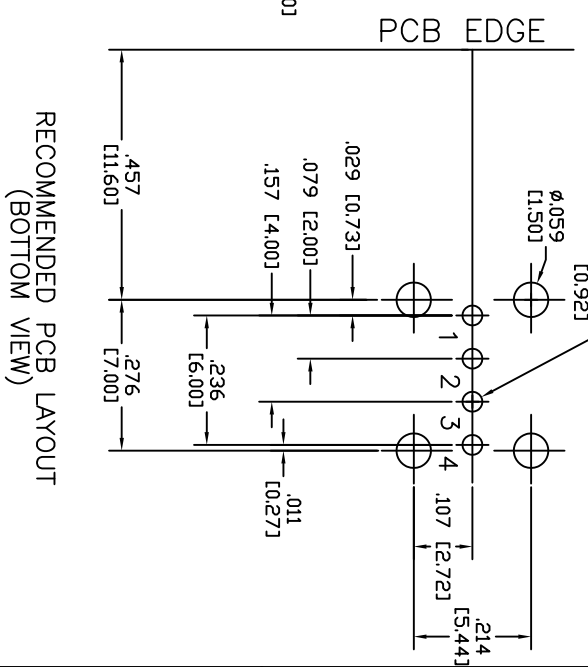
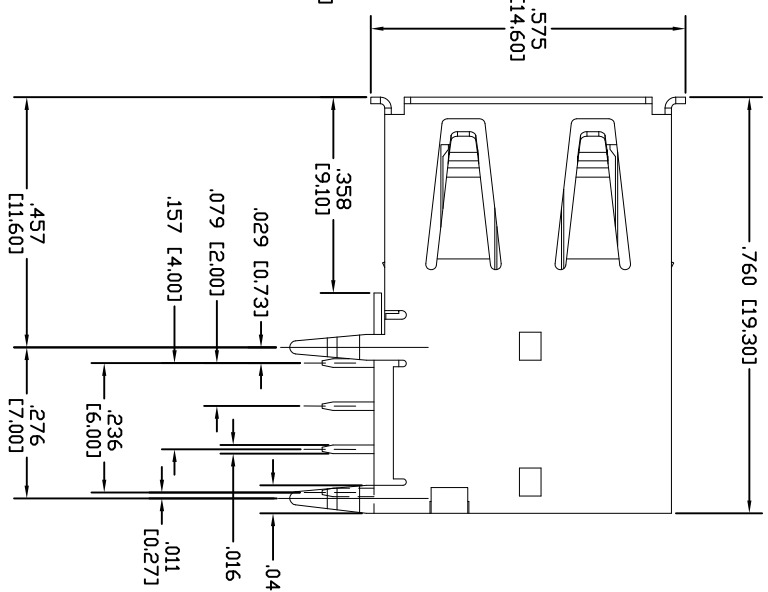
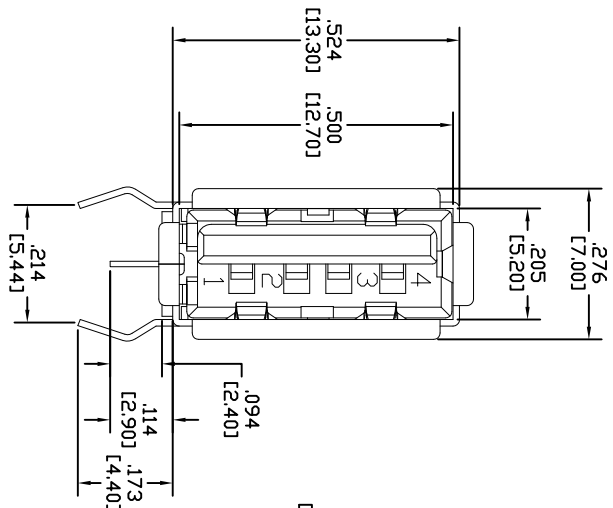


APPROVED: _____
 DATE: _____ TITLE: _____

Rev	AWO #	Description	Date	Appr
-		RELEASED	6/16/05	
A		REDRAWN	10/27/11	
B		REVISED SHAPE & SPEC.	9/3/12	



RECOMMENDED PCB LAYOUT
 (BOTTOM VIEW)

SPECIFICATIONS:
 Material: Insulator: PBT, glass reinforced, rated UL 94V-0
 Insulator color: Black
 Contacts: Phosphor Bronze
 Shell: Brass, Nickel plated
 Rear Shell: SPCC, Nickel plated
 Plating:

Gold flash over Nickel underplate on contact area,
 Tin over Copper underplate on PCB tails
 Electrical:
 Rated Voltage And Current: 1.5A At 250VAC Minimum.
 Contact resistance: 30 mohms max.
 Insulation resistance: 1000 Mohms min. @ 500 VDC
 Dielectric withstanding voltage: 750 VAC for 1 minute
 Temperature Rating:
 Operating temperature: -55°C to +85°C
 Environmental:
 Lead free, RoHS compliant.

UNLESS OTHERWISE SPECIFIED ALL DIMENSIONS ARE INCHES [MM]	
TOLERANCES: EXCEPT AS NOTED	
INCHES	HOLES
.X ± .10	ØX ± .10
.XX ± .020	ØXX ± .015
.XXX ± .015	ØXXX ± .010
APPROVALS	DATE
DRAWN	SS
CHECKED	
APPROVED	

ADAM TECH
 909 Railway Avenue, Union, NJ 07083
 Phone: 908-687-5000 Fax: 908-687-5710

TITLE: USB, TYPE A, RIGHT ANGLE UPRIGHT THRU-HOLE, GOLD FLASH

SIZE: X PART NO.: USB-A-S-RU

REF: S00095T SCALE: NTS SHEET 1 OF 1

REV. B