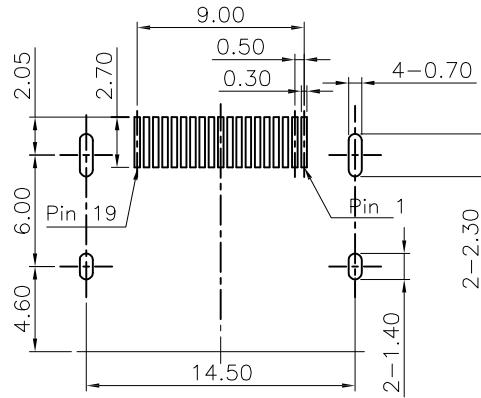
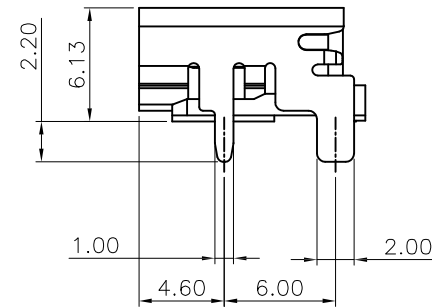
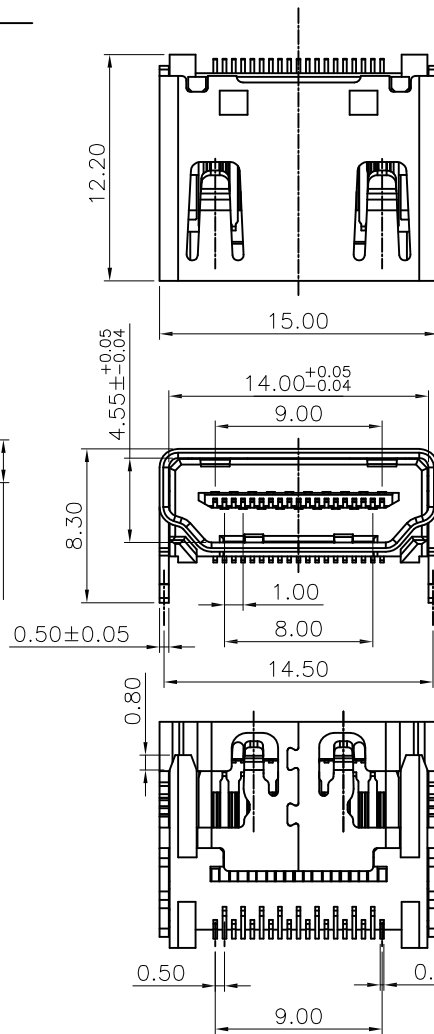


APPROVED: _____
 DATE: _____ TITLE: _____

Rev	AWO #	Description	Date	Appr
-		RELEASED	3/11/21	
A		ADDED TITLE	3/11/21	LH/RC
B		ADDED PACKING	3/17/21	WX/RC



RECOMMENDED PCB LAYOUT



SPECIFICATIONS:

Material:
 Housing: Hi-temp thermoplastic, UL 94V-0
 Housing color: Black
 Contact: Brass
 Shell: Brass, Nickel plated
 Plating:
 Gold Flash over Nickel underplate on contact area,
 Tin over Nickel underplate on solder tails.
Electrical:
 Contact resistance: 30 mohms max
 Insulation resistance: 100 Mohms min
 Dielectric withstanding voltage: 300 VAC @Sealevol
Mechanical:
 Insertion Force: 4.5Kgf max
 Withdrawal Force: 1kgf~4.0kgf
 Durability: 10,000 Cycles
Environmental:
 Lead free, RoHS Compliant



PACKAGED ON TAPE & REEL

UNLESS OTHERWISE SPECIFIED ALL DIMENSIONS ARE MILLIMETERS TOLERANCES: EXCEPT AS NOTED				909 Rahway Avenue, Union, NJ 07083 Phone: 908-687-5000 Fax: 908-687-5710						
<table border="1"> <thead> <tr> <th>MM</th> <th>ANGLE</th> </tr> </thead> <tbody> <tr> <td>X. ± 0.35</td> <td>X° ± 5°</td> </tr> <tr> <td>.X ± 0.25</td> <td>.X° ± 3°</td> </tr> </tbody> </table>				MM	ANGLE	X. ± 0.35	X° ± 5°	.X ± 0.25	.X° ± 3°	TITLE HDMI CONNECTOR 2.1 TYPE, RIGHT ANGLE, SMT 8K, SUPPORTS SPEEDS UP TO 48GBPS
MM	ANGLE									
X. ± 0.35	X° ± 5°									
.X ± 0.25	.X° ± 3°									
APPROVALS		DATE		SIZE X	PART NO. HDMI21-S-RA-SMT-T/R					
DRAWN LH		3/11/21								
CHECKED RC		3/11/21								
APPROVED				REF: S00013T	SCALE: NTS					
				SHEET 1 OF 1						

6

5

4

3

2

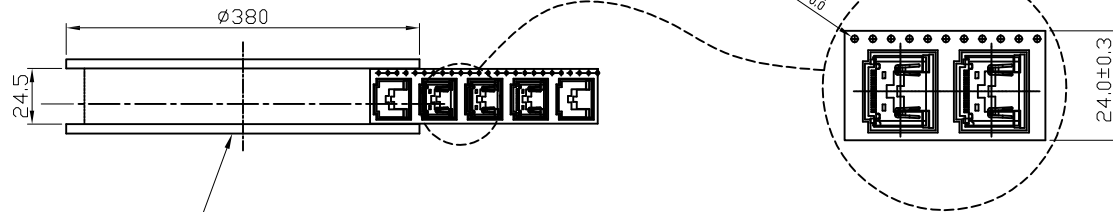
1

APPROVED: _____

DATE: _____ TITLE: _____

Rev	AWO #	Description	Date	Appr
-----	-------	-------------	------	------

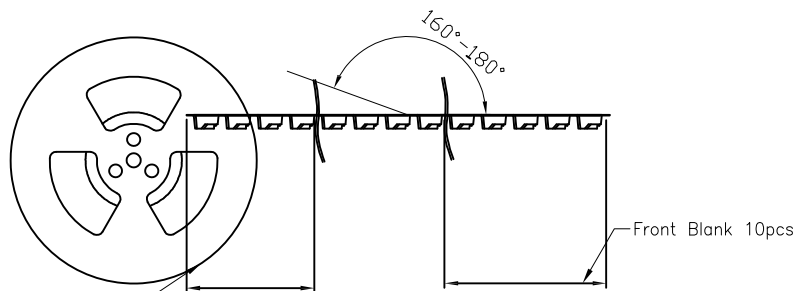
SEE SHT 1 OF 2 FOR REVISION



REEL

INPUT MATERIAL DIRECTION
INPUT Force - 30~80gf

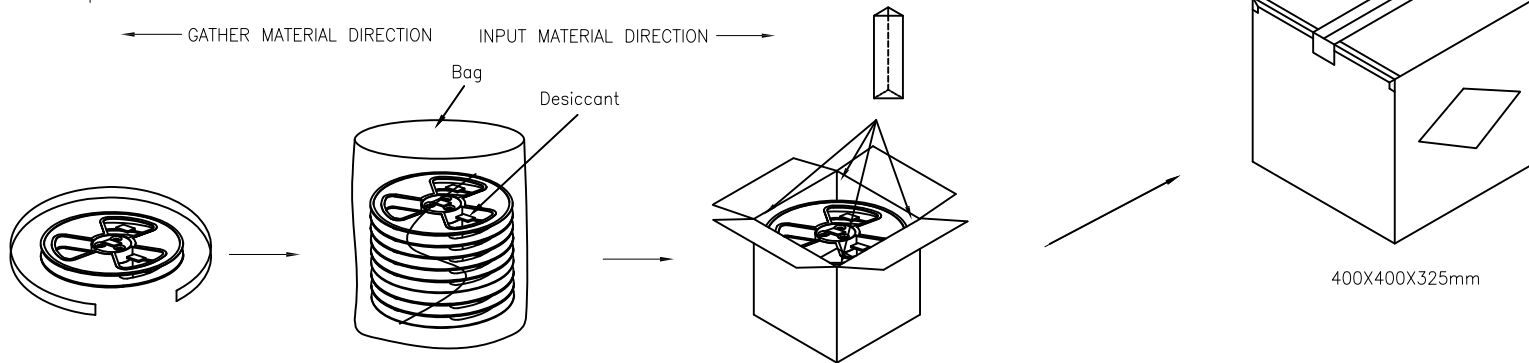
1 Reel : 500pcs
 10 Reel/1Carton
 1 carton/5000pcs



Bottom Blank 10pcs

Front Blank 10pcs

GATHER MATERIAL DIRECTION INPUT MATERIAL DIRECTION



400X400X325mm

UNLESS OTHERWISE SPECIFIED
 ALL DIMENSIONS ARE MILLIMETERS
 TOLERANCES: EXCEPT AS NOTED

MM	ANGLE
.X ± 0.35	.X° ± 5'
.X ± 0.25	.X° ± 3'

ADAM
TECH

909 Rahway Avenue,
 Union, NJ 07083
 Phone: 908-687-5000
 Fax: 908-687-5710

TITLE
**HDMI CONNECTOR 2.1 TYPE, RIGHT ANGLE, SMT
 8K, SUPPORTS SPEEDS UP TO 48GBPS**

APPROVALS		DATE
DRAWN	LH	3/11/21
CHECKED	RC	3/11/21
APPROVED		

SIZE X	PART NO. HDMI21-S-RA-SMT-T/R	REV. B
REF: S00013T	SCALE: NTS	SHEET 1 OF 1



6

5

4

3

2

1

D

D

C

C

B

B

A

A