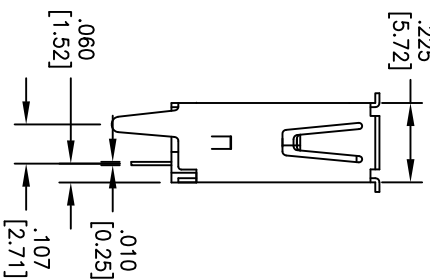
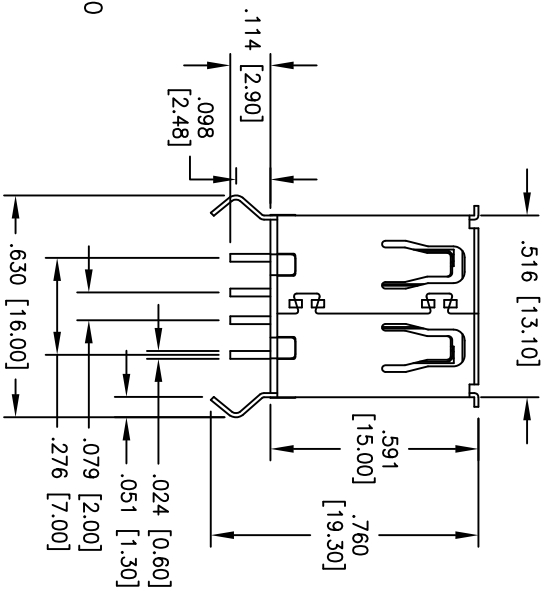
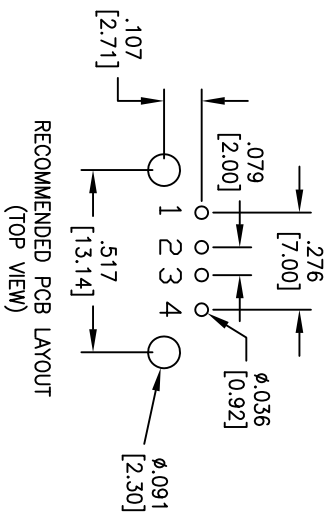
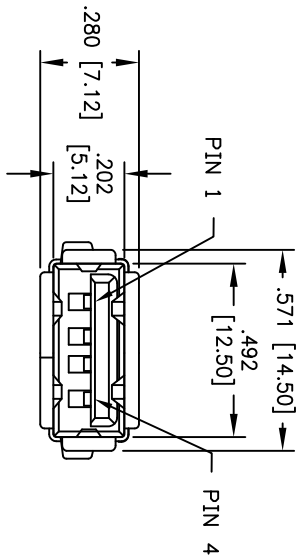


APPROVED: _____
 DATE: _____ TITLE: _____

Rev	AWO #	Description	Date	Appr
-		RELEASED	12/3/04	
A		ADDED ROHS MARK	8/25/08	BAS
B		REDRAWN	12/08/09	
C		REVISED DIM.	5/30/11	
D		REVISED SPEC.	12/22/11	



SPECIFICATIONS:

- Material: Insulator: PBT, Glass filled, rated UL 94V-0
- Insulator color: White
- Contacts: Brass
- Shell: Brass, nickel plated
- Plating: Gold over Nickel underplate on contact area, Tin over Copper underplate on PCB tails
- Electrical: Operating voltage: 30 VAC max. Current rating: 1.5 Amp max @ 250V AC. Contact resistance: 30 mohms max. Insulation resistance: 1000 Mohms min. Dielectric withstanding voltage: 500 VAC for 1 minute
- Temperature Rating: Operating temperature: -20°C to +60°C
- Environmental: Lead free, RoHS compliant.

UNLESS OTHERWISE SPECIFIED ALL DIMENSIONS ARE INCHES [MM]	
TOLERANCES: EXCEPT AS NOTED	
INCHES	HOLDS
.X ± .10	ØXX ± .10
.XX ± .020	ØXXX ± .015
.XXX ± .015	ØXXXX ± .010
APPROVALS	DATE
DRAWN SS	10/4/04
CHECKED	
APPROVED	

ADAM TECH		909 Railway Avenue, Union, NJ 07083		Phone: 908-687-5000 Fax: 908-687-5710	
TITLE: UNIVERSAL SERIAL BUS SINGLE PORT, VERTICAL, PCB		SIZE: X	PART NO.: USB-A-S-VT-WT	SCALE: NTS	SHEET 1 OF 1
REV. D					