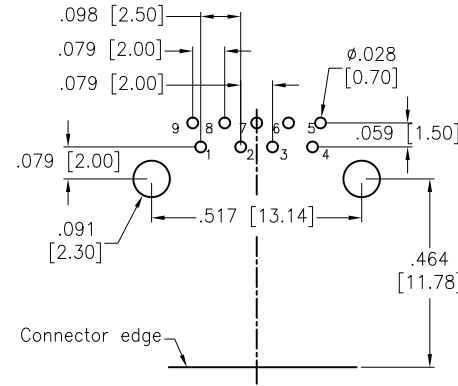
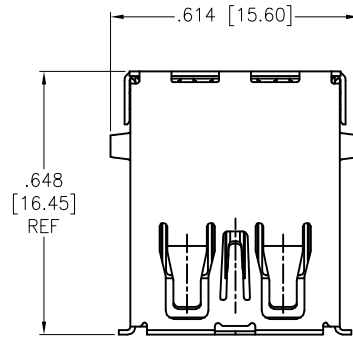
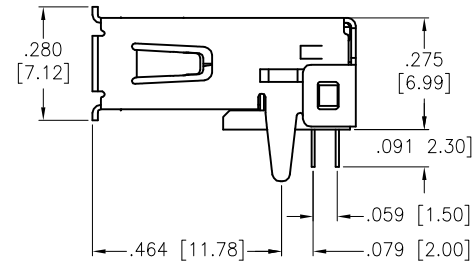
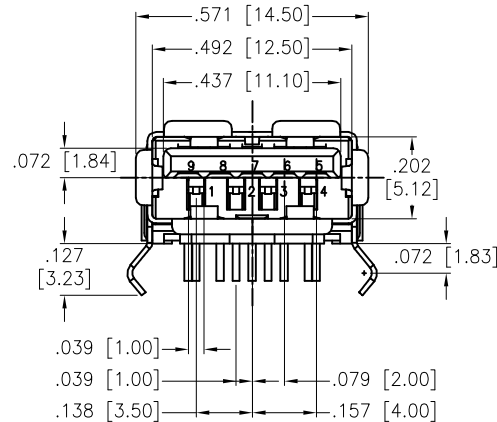


APPROVED: \_\_\_\_\_  
 DATE: \_\_\_\_\_ TITLE: \_\_\_\_\_

| Rev | AWO # | Description     | Date     | Appr  |
|-----|-------|-----------------|----------|-------|
| -   |       | RELEASED        | 12/18/09 |       |
| A   |       | UPDATED DRAWING | 11/6/18  | HR/MY |
| B   |       | UPDATED SPEC.   | 12/23/19 | AY/RT |



RECOMMENDED PCB LAYOUT



**SPECIFICATIONS:**

Material:  
 Insulator: PBT, glass reinforced, rated UL 94V-0  
 Insulator color: Blue  
 Contacts: Copper Alloy  
 Shell: Brass, Nickel plated  
 Plating:

Gold flash over Nickel underplate on contact area,  
 Tin over Nickel underplate on solder tails.

Electrical:  
 Current rating: 1.8 AMP @ 250VAC  
 voltage rating: 30 Vrms max  
 Contact resistance: 30 mohms max  
 Insulation resistance: 100 Mohms min @ 500 VDC  
 Dielectric withstanding voltage: 100 VAC, Test Time: 1 SEC min  
 Temperature Rating:  
 Operating temperature: -40°C to +85°C  
 Environmental:  
 Lead free, RoHS compliant.



| PIN NO.     | 1                  | 2  | 3  | 4   | 5                  | 6     | 7         | 8     | 9     |
|-------------|--------------------|----|----|-----|--------------------|-------|-----------|-------|-------|
| SIGNAL NAME | VBUS               | D- | D+ | GND | SSRX-              | SSRX+ | GND_DRAIN | SSTX- | SSTX+ |
| REMARK      | USB2.0 CONTACT PIN |    |    |     | USB3.0 CONTACT PIN |       |           |       |       |

CONNECTOR PIN SIGNAL NAME

|   |  |  |  |
|---|--|--|--|
| UNLESS OTHERWISE SPECIFIED<br>ALL DIMENSIONS ARE INCHES [MM]<br>TOLERANCES: EXCEPT AS NOTED<br>INCHES HOLES<br>.X ± .10 Ø.X ± .10<br>.XX ± .020 Ø.XX ± .015<br>.XXX ± .015 Ø.XXX ± .010 |  | <b>ADAM TECH</b><br>INTERCONNECTS<br>909 Rahway Avenue,<br>Union, NJ 07083<br>Phone: 908-687-5000<br>Fax: 908-687-5710   |  |
| APPROVALS<br>DRAWN: DY<br>CHECKED:<br>APPROVED:   |  | DATE: 12/18/09<br>TITLE: UNIVERSAL SERIAL BUS, TYPE A<br>FEMALE, RIGHT ANGLE, DIP TYPE<br>SIZE: X<br>PART NO.: USB-A3-S-RA<br>REF: S00005C<br>SCALE: NTS<br>SHEET 1 OF 1 |  |
|   |  | REV. B   |  |