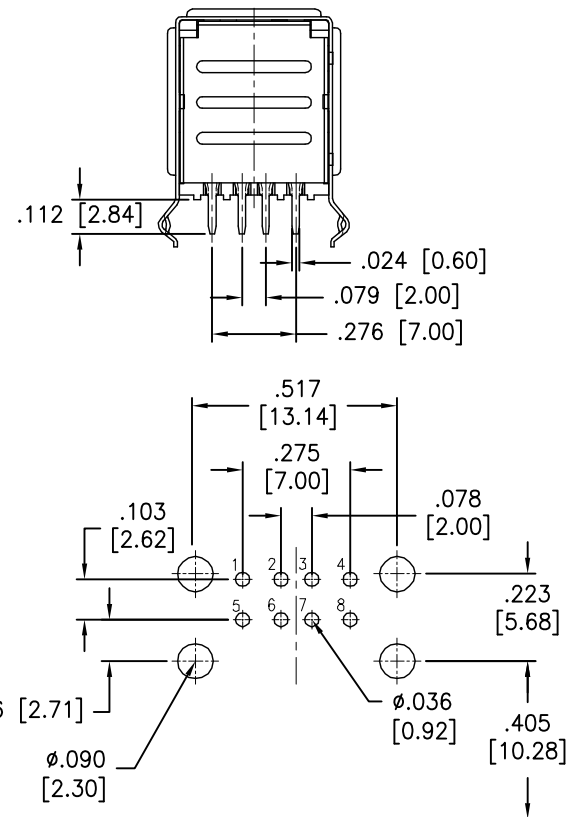
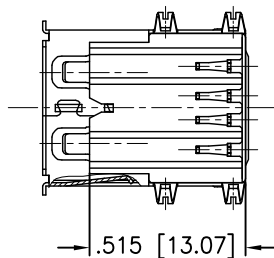
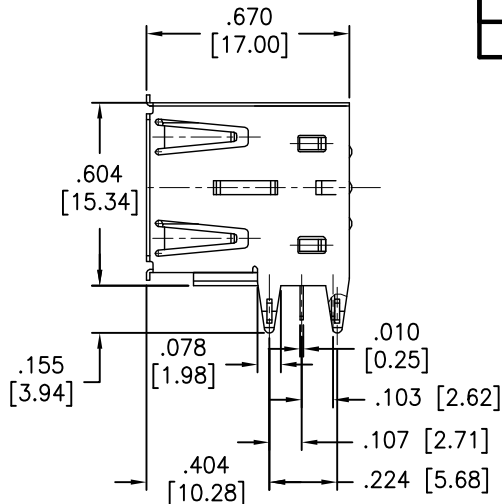
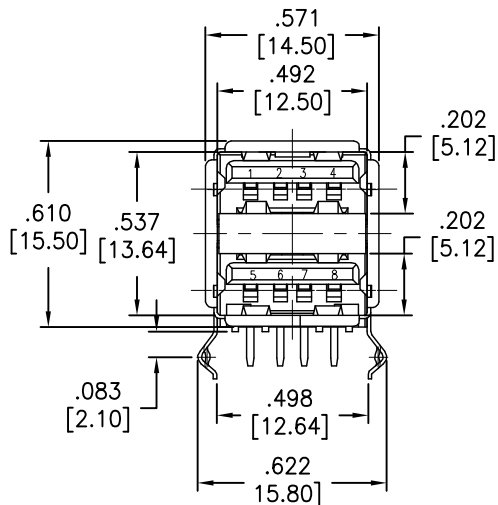


APPROVED: _____
 DATE: _____ TITLE: _____

Rev	AWO #	Description	Date	Appr
-		RELEASED	12/3/04	
A		REVISED & REDRAWN	09/22/05	
B		REVISED DIM.	6/19/08	
C		REDRAWN	6/3/11	
D		REVISED DIM.	12/5/11	
E		ADDED DIM.	01/23/13	
F		UPDATED SPEC.	7/21/16	HR/MY



RECOMMENDED PCB LAYOUT

SPECIFICATIONS:

Material:
 Insulator: PBT, Glass filled, rated UL 94V-0
 Insulator color: Black
 Contacts: Copper Alloy
 Shell: Steel/Copper, Nickel plated
 Plating:
 Gold flash over Nickel underplate on contact area,
 Tin over Copper underplate on PCB tails
 Electrical:
 Voltage rating: 30 VAC
 Current rating: 1 Amp
 Contact resistance: 30 mohms max.
 Insulation resistance: 1,000 Mohms min.
 Dielectric withstanding voltage: 500 VAC for 1 minute
 Temperature Rating:
 Operating temperature: -20°C to +60°C
 Environmental:
 Lead free, RoHS compliant.



UNLESS OTHERWISE SPECIFIED ALL DIMENSIONS ARE INCHES [MM] TOLERANCES: EXCEPT AS NOTED	
INCHES	HOLES
.X ± .10	∅X ± .10
.XX ± .020	∅XX ± .015
.XXX ± .015	∅XXX ± .010
APPROVALS	
DATE	
DRAWN	SS 10/4/04
CHECKED	
APPROVED	

ADAM TECH
 909 Rahway Avenue, Union, NJ 07083
 Phone: 908-687-5000 Fax: 908-687-5710

TITLE: UNIVERSAL SERIAL BUS
 DUAL PORT, RIGHT ANGLE, PCB

SIZE: X PART NO.: USB-A-D-RA REV.: F

REF: S00005C SCALE: NTS SHEET 1 OF 1