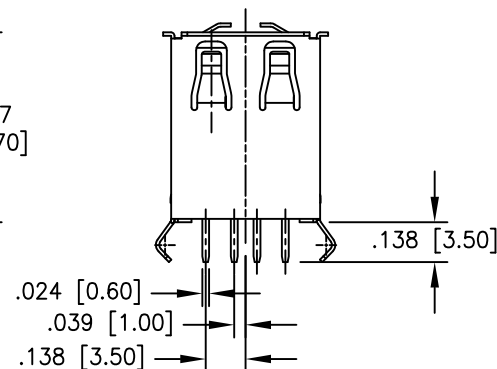
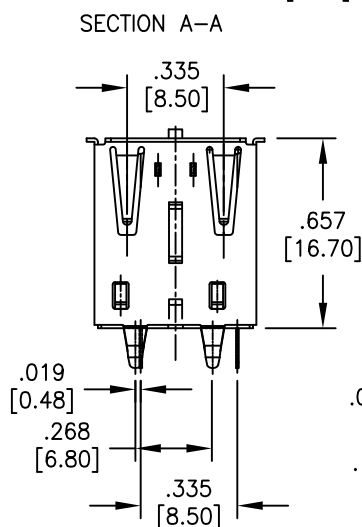
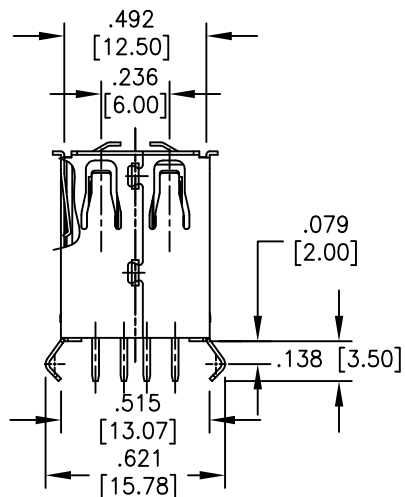
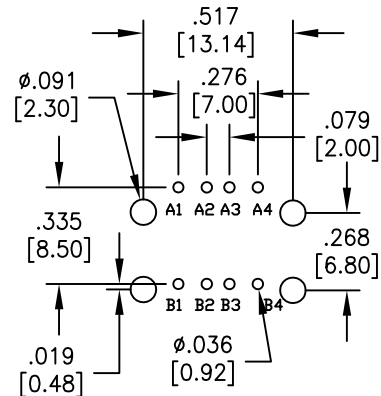
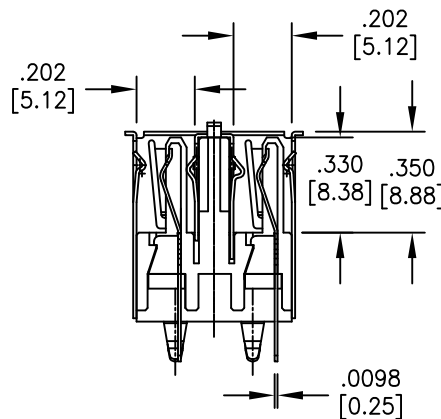
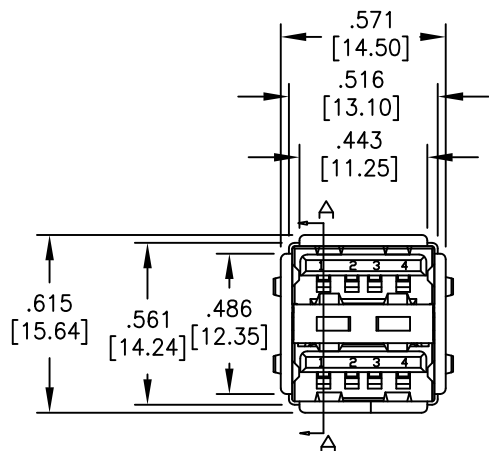


APPROVED: _____

DATE: _____ TITLE: _____

Rev	AWO #	Description	Date	Appr
-		RELEASED	9/22/05	
A		REDRAWN	9/29/09	
B		UPDATED TEMPERATURE RATING	7/18/13	SS
C		UPDATED SPEC.	9/30/16	HR/YC
D		UPDATED SPEC.	2/12/18	SS



SPECIFICATIONS:

Material:
 Insulator: PBT, Glass filled, rated UL 94V-0
 Insulator color: Black
 Contacts: Phosphor Bronze
 Shell: Steel, nickel plated
 Plating:

Gold flash over Nickel underplate on contact area,
 Tin over Nickel underplate on PCB tails

Electrical:
 Voltage rating: 30 V
 Current rating: 1.5 Amp @ 250 VAC
 Contact resistance: 30 mohms max.
 Insulation resistance: 1000 Mohms min.
 Dielectric withstanding voltage: 500 VAC for 1 minute

Temperature Rating:
 Operating temperature: -55°C to +85°C

Environmental:
 Lead free, RoHS compliant.



UNLESS OTHERWISE SPECIFIED ALL DIMENSIONS ARE INCHES [MM] TOLERANCES: EXCEPT AS NOTED		ADAM TECH 909 Rahway Avenue, Union, NJ 07083 Phone: 908-687-5000 Fax: 908-687-5710	
INCHES HOLES .X ± .10 Ø.X ± .10 .XX ± .020 Ø.XX ± .015 .XXX ± .015 Ø.XXX ± .010			
APPROVALS		TITLE	
DRAWN	SS	UNIVERSAL SERIAL BUS DUAL PORT, VERTICAL, PCB	
CHECKED		DATE	
APPROVED		DATE	
SIZE	PART NO.	REV.	
X	USB-A-D-VT	D	
REF: S00005C	SCALE: NTS	SHEET 1 OF 1	