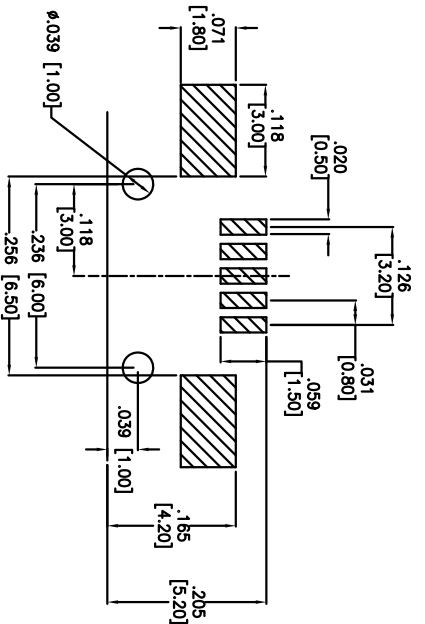
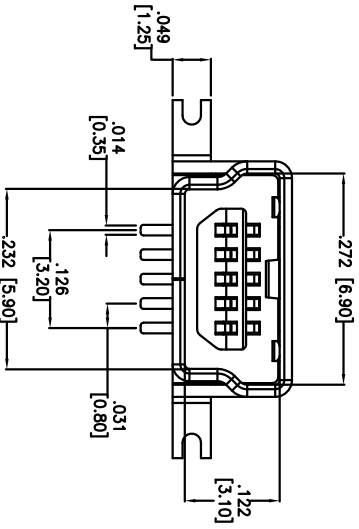
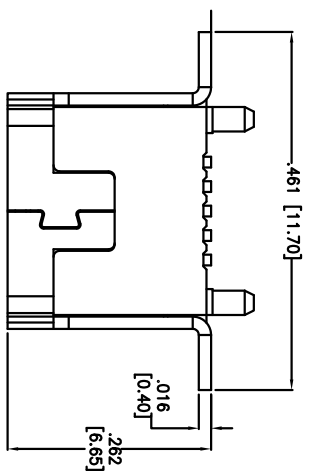
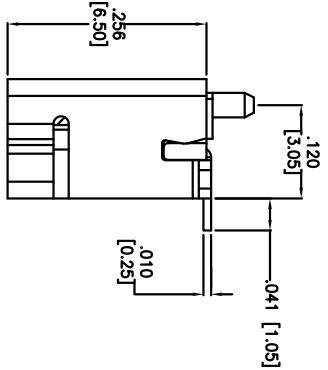
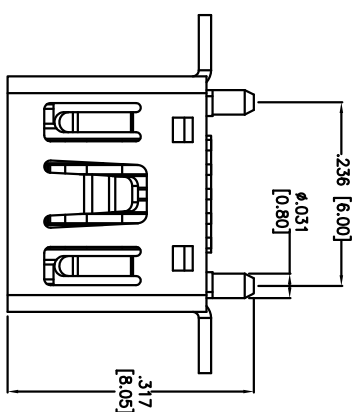


Rev	AWO #	Description	Date	Appr
-		RELEASED	7/13/12	

APPROVED: _____
 DATE: _____ TITLE: _____



RECOMMENDED PCB LAYOUT

SPECIFICATIONS:

- Material: Insulator: Hi-temp thermoplastic, rated UL 94V-0
- Insulator color: Black
- Contacts: Phosphor Bronze
- Shell: Brass, Nickel Plated
- Plating: Gold Flash over Nickel underplate on contact area, Tin over Copper underplate on PCB tails
- Electrical: Current Rating: 1.0 A AC/DC
- Voltage Rating: 30 V AC/DC
- Contact resistance: 50 Mohms max
- Insulation resistance: 100 Mohms min
- Dielectric withstanding voltage: 100 VAC for 1 minute
- Temperature Rating: Operating temperature: -25°C to +80°C
- Environmental: Lead free, RoHS compliant.



UNLESS OTHERWISE SPECIFIED
 ALL DIMENSIONS ARE MM
 TOLERANCES: EXCEPT AS NOTED

APPROVALS	DATE
DRAWN AY	7/13/12
CHECKED AH	7/13/12
APPROVED	

ADAM TECH
 909 Ratway Avenue, Union, NJ 07083
 Phone: 908-687-5000 Fax: 908-687-5710

TITLE	MINI USB, TYPE B, 5PIN, VERTICAL, TRUE SMT
SIZE	PART NO.
X	MUSB-B5-S-VT-TSMT-1
REF:	S00126T
SCALE:	NTS
SHEET	1 OF 1