

6

5

4

3

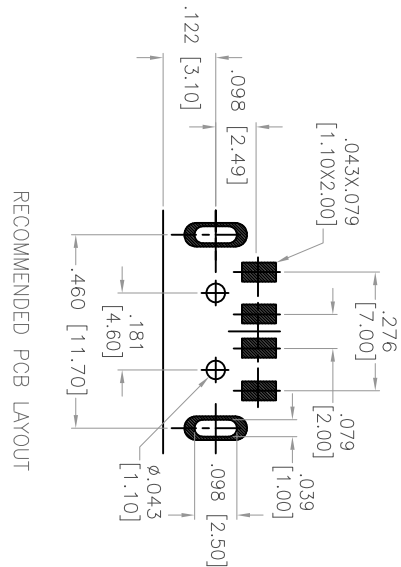
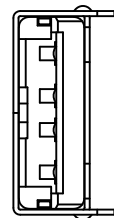
2

1

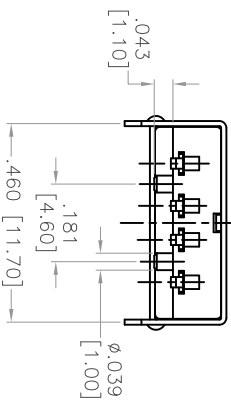
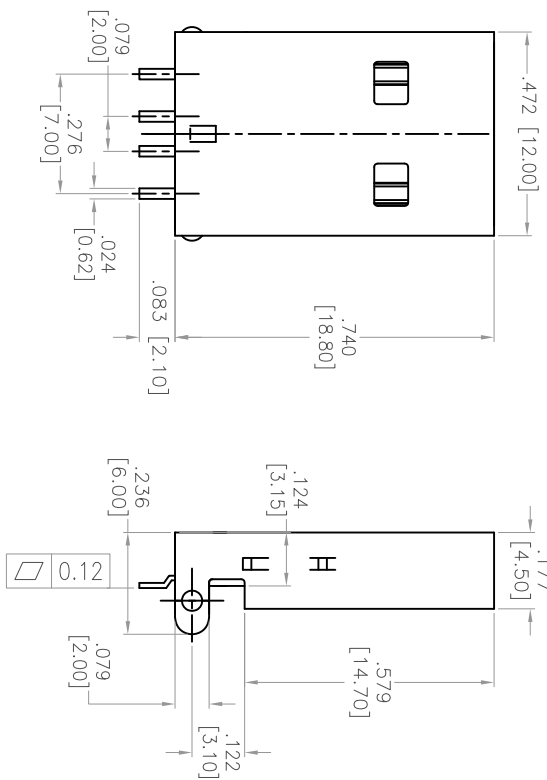
APPROVED: _____

DATE: _____ TITLE: _____

Rev	AWO #	Description	Date	Appr
-		RELEASED	9/17/07	
A		REDRAWN	5/18/11	
B		REVISED DIM.	5/24/12	
C		UPDATED DRAWING	3/4/16	HR/MLY



RECOMMENDED PCB LAYOUT



SPECIFICATIONS:

Material: Insulator: Hi-temp thermoplastic, rated UL 94V-0
 Insulator color: Black
 Contacts: Brass
 Shell: SPCC, Nickel plated
 Plating: Gold Flash over Nickel underplate on contact area, Tin over Copper underplate on SMT tails

Electrical: Operating voltage: 30 VAC
 Current rating: 1.5 Amp
 Contact resistance: 30 mohms max.
 Insulation resistance: 1,000 Mohms min.
 Dielectric withstanding voltage: 500 VAC for 1 minute

Temperature Rating: Temperature range: -20°C to +60°C

Environmental: Lead free, RoHS compliant.

Environmental: Lead free, RoHS compliant.

ADAM TECH

909 Rahway Avenue, Union, NJ 07083
 Phone: 908-687-5000 Fax: 908-687-5710

TITLE: USB CONNECTOR, A TYPE PLUG, SMT
 SEL GOLD FLASH, BLACK INSULATOR

UNLESS OTHERWISE SPECIFIED ALL DIMENSIONS ARE INCHES [MM]		TOLERANCES: EXCEPT AS NOTED	
INCHES	± .10	ØXX	± .015
INCHES	± .020	ØXXX	± .010
INCHES	± .015	ØXXXX	± .010
APPROVALS	DATE	DATE	DATE
DRAWN	SS	9/17/07	
CHECKED			
APPROVED			
SIZE	PART NO.	SCALE	REV.
X	USB-AP-S-RA-SMT	NTS	C
REF:	S00005C	SHEET	1 OF 1

A

B

C

D

A

B

C

D



6

5

4

3

2

1