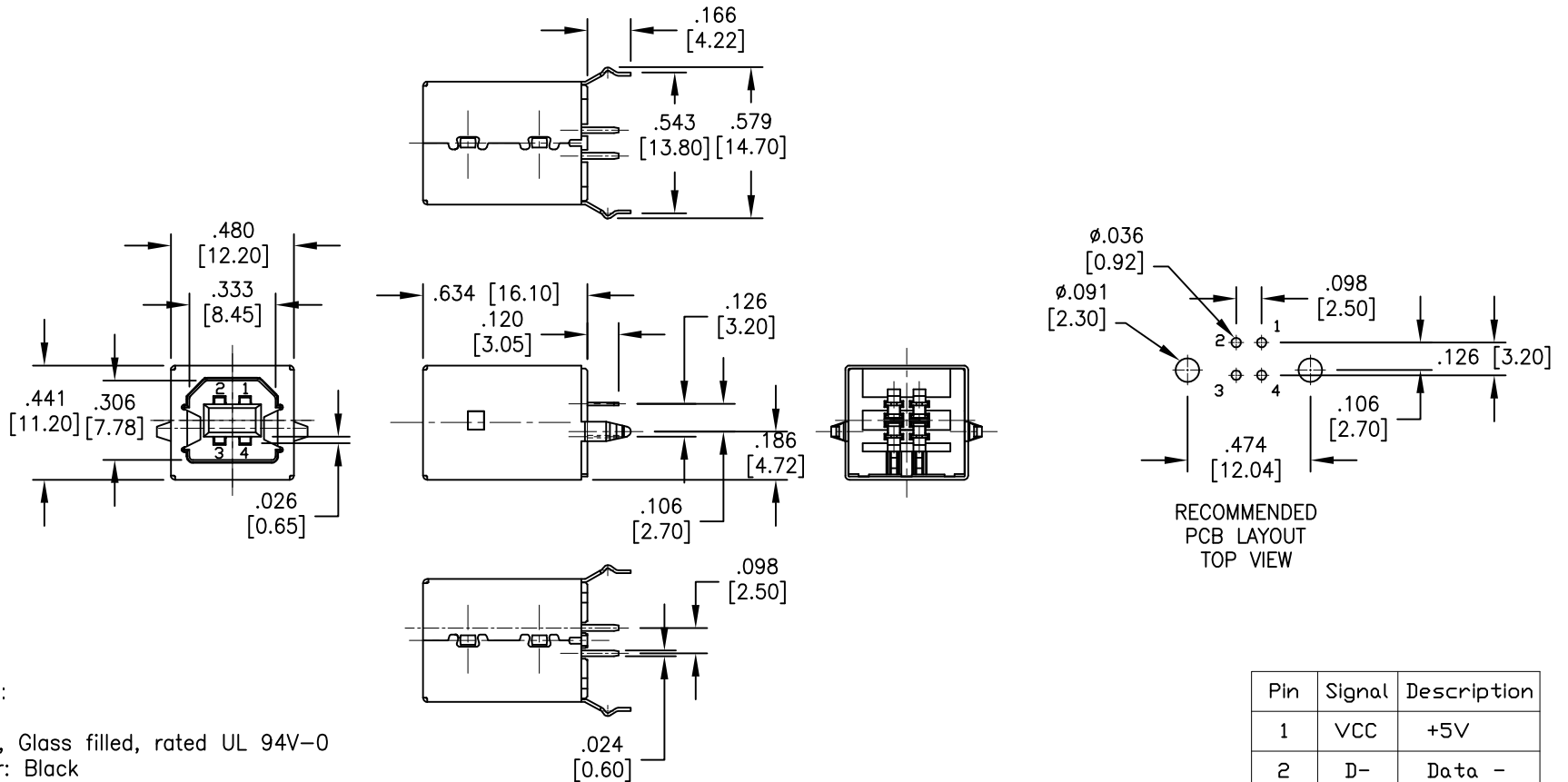


APPROVED: \_\_\_\_\_

DATE: \_\_\_\_\_ TITLE: \_\_\_\_\_

Rev	AWO #	Description	Date	Appr
-		RELEASED	12/3/04	
A		REDRAWN	6/8/11	
B		UPDATED DIM.	9/14/17	HR/TY



RECOMMENDED  
PCB LAYOUT  
TOP VIEW

Pin	Signal	Description
1	VCC	+5V
2	D-	Data -
3	D+	Data +
4	GND	Ground

**SPECIFICATIONS:**

Material:

Insulator: PBT, Glass filled, rated UL 94V-0

Insulator color: Black

Contacts: Phosphor Bronze

Shell: Copper Alloy, nickel plated

Plating:

Gold flash over Nickel underplate on contact area, Tin over

Copper underplate on PCB tails

Electrical:

Voltage rating: 30 VAC

Current rating: 1.5 Amp

Contact resistance: 30 mohms max.

Insulation resistance: 1000 Mohms min.

Dielectric withstanding voltage: 500 VAC

Temperature Rating:

Operating temperature: -20°C to +60°C

Environmental:

Lead free, RoHS compliant.



UNLESS OTHERWISE SPECIFIED  
ALL DIMENSIONS ARE INCHES [MM]  
TOLERANCES: EXCEPT AS NOTED  
INCHES HOLES  
.X ± .10 ØX ± .10  
.XX ± .020 ØXX ± .015  
.XXX ± .015 ØXXX ± .010

APPROVALS		DATE
DRAWN	SS	10/4/04
CHECKED		
APPROVED		

**ADAM TECH**

909 Rahway Avenue, Union, NJ 07083  
Phone: 908-687-5000 Fax: 908-687-5710

TITLE			
UNIVERSAL SERIAL BUS SINGLE PORT, VERTICAL, PCB			
SIZE	PART NO.	REV.	
X	USB-B-S-VT	B	
REF:	S00005C	SCALE: NTS	SHEET 1 OF 1