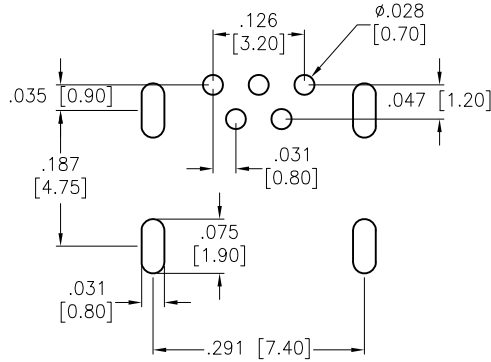
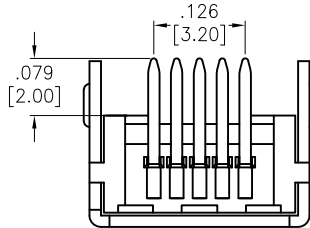
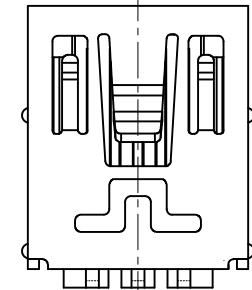
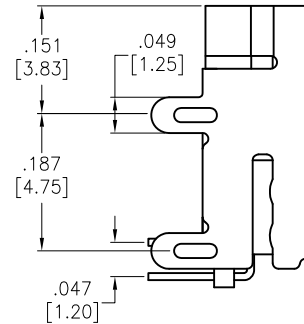
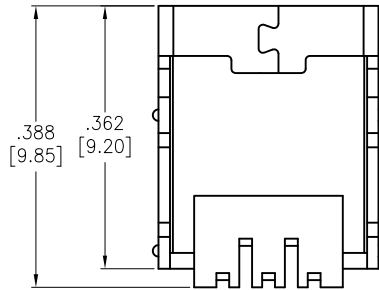
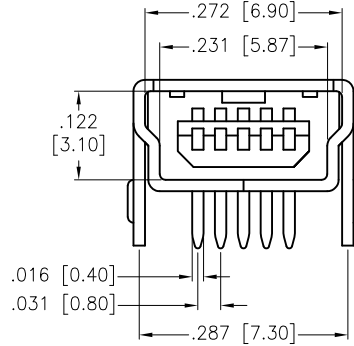


APPROVED: \_\_\_\_\_  
 DATE: \_\_\_\_\_ TITLE: \_\_\_\_\_

Rev	AWO #	Description	Date	Appr
-		RELEASED	04/20/05	
A		REVISED & REDRAWN	10/09/06	
B		UPDATED DRAWING	1/25/16	AY/MW



RECOMMENDED PCB LAYOUT



**SPECIFICATIONS:**

Material:  
 Insulator: Hi-temp thermoplastic rated UL 94V-0  
 Insulator color: Black  
 Contacts: Phosphor Bronze  
 Shell: Brass, nickel plated

**Plating:**

Gold flash over Nickel underplate on contact area,  
 Tin over Copper underplate on PCB tails

**Electrical:**

Operating voltage: 30 VAC max  
 Current rating: 1 Amps max  
 Contact resistance: 50 Mohms max  
 Insulation resistance: 100 Mohms min  
 Dielectric withstanding voltage: 100 VAC for 1 minute

**Temperature Rating:**

Operating temperature: -20°C to +60°C

**Environmental:**

Lead free, RoHS compliant.



UNLESS OTHERWISE SPECIFIED  
 ALL DIMENSIONS ARE INCHES [MM]  
 TOLERANCES: EXCEPT AS NOTED

INCHES		HOLES	
.X	± .10	Ø.X	± .10
.XX	± .020	Ø.XX	± .015
.XXX	± .015	Ø.XXX	± .010

APPROVALS		DATE
DRAWN	SS	04/20/05
CHECKED		
APPROVED		

**ADAM TECH**

909 Rahway Avenue, Union, NJ 07083  
 Phone: 908-687-5000 Fax: 908-687-5710

TITLE: MINI USB, TYPE B, 5PIN, RIGHT ANGLE,  
 PCB MOUNT

SIZE	PART NO.	REV.
X	MUSB-B5-S-RA	B
REF: S00005C	SCALE: NTS	SHEET 1 OF 1