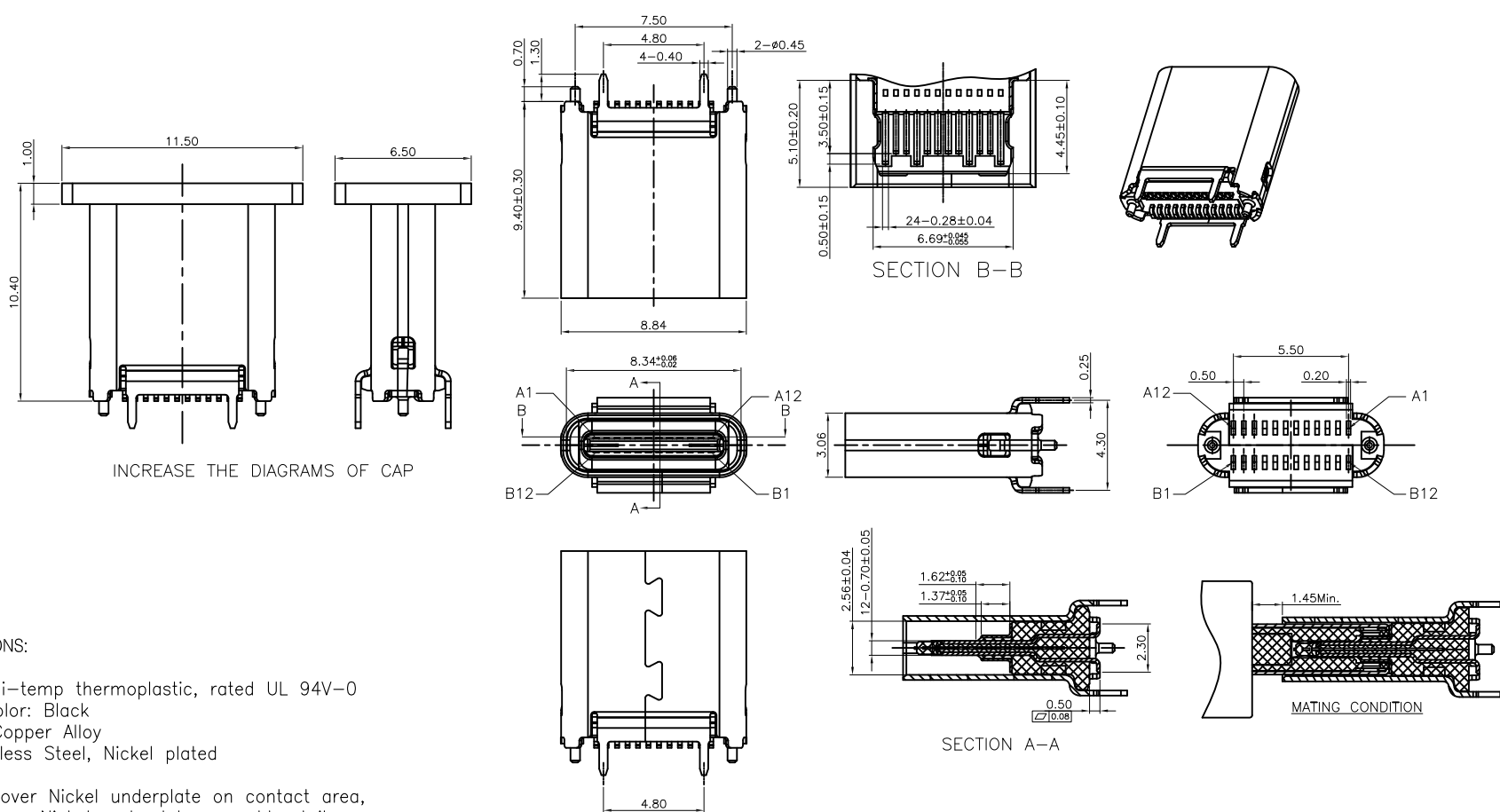


APPROVED: _____
 DATE: _____ TITLE: _____

Rev	AWO #	Description	Date	Appr
-		RELEASED	5/28/18	
A		ADDED PACKING	1/14/20	AY/OC



INCREASE THE DIAGRAMS OF CAP

SPECIFICATIONS:

Material:
 Insulator: Hi-temp thermoplastic, rated UL 94V-0
 Insulator color: Black
 Contacts: Copper Alloy
 Shell: Stainless Steel, Nickel plated
Plating:
 Gold flash over Nickel underplate on contact area,
 Matte Tin over Nickel underplate on solder tails.
Electrical:
 Current rating: 5 A (Vbus)
 1.25 A (Vconn)
 Contact resistance: 40 mohms max. (Initial)
 10 mohms max. (After test) @ 20 mV, 100 mA
 Insulation resistance: 100 Mohms min.
 Dielectric withstanding: 100 VAC R.M.S
Mechanical:
 Insertion force: 5~20 N
 Withdrawal force: 6~20 N (After test)
 Durability: 10,000 Cycles
 Temperature Rating:
 Operating temperature: -40°C to +85°C
Environmental:
 Lead free, RoHS compliant.



PACKAGED ON TAPE & REEL

UNLESS OTHERWISE SPECIFIED ALL DIMENSIONS ARE MILLIMETERS TOLERANCES: EXCEPT AS NOTED		ADAM TECH INTERCONNECTS 909 Rahway Avenue, Union, NJ 07083 Phone: 908-687-5000 Fax: 908-687-5710	
MM X. ± 0.50 .X ± 0.30 .XX ± 0.20 .XXX ± 0.10			
APPROVALS		DATE	
DRAWN	AY	5/28/18	
CHECKED	LW	5/28/18	
APPROVED			
TITLE UNIVERSAL SERIAL BUS, TYPE C 3.1, FEMALE, VERTICAL, BLACK INSULATOR, TAPE AND REEL			
SIZE X	PART NO. USB-C31-S-VT-CS2A-BK-PP-T/R	REV. A	
REF: S00296T	SCALE: NTS	SHEET 1 OF 3	

6

5

4

3

2

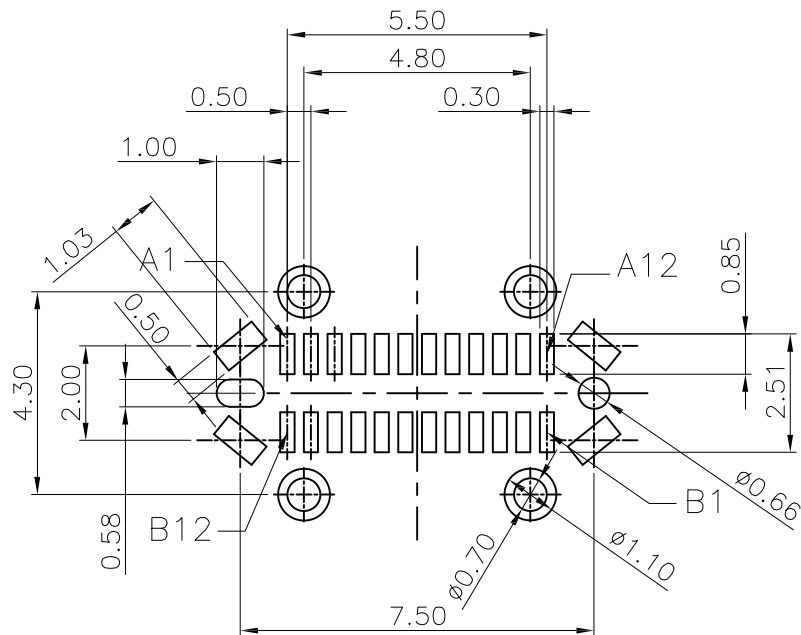
1

APPROVED: _____

DATE: _____ TITLE: _____

Rev	AWO #	Description	Date	Appr
-----	-------	-------------	------	------

SEE SHT 1 OF 3 FOR REVISION



RECOMMEND P.C.B LAYOUT(COMPONENT SIDE)

TOLERANCE FOR PCB LAYOUT IS ± 0.05

Pin	Signal Name	Mating Sequence	Pin	Signal Name	Mating Sequence
A1	GND	First	B12	GND	First
A2	SSTXp1	Second	B11	SSRXp1	Second
A3	SSTXn1	Second	B10	SSRXn1	Second
A4	V _{BUS}	First	B9	V _{BUS}	First
A5	CC1	Second	B8	SBU2	Second
A6	Dp1	Second	B7	Dn2	Second
A7	Dn1	Second	B6	Dp2	Second
A8	SBU1	Second	B5	CC2	Second
A9	V _{BUS}	First	B4	V _{BUS}	First
A10	SSRXn2	Second	B3	SSTXn2	Second
A11	SSRXp2	Second	B2	SSTXp2	Second
A12	GND	First	B1	GND	First
SHELL	GND		SHELL	GND	

UNLESS OTHERWISE SPECIFIED
 ALL DIMENSIONS ARE MILLIMETERS
 TOLERANCES: EXCEPT AS NOTED
 ANGLE

X.	± 0.50	
.X	± 0.30	± 2°
.XX	± 0.20	
.XXX	± 0.10	

ADAM TECH
INTERCONNECTS

909 Rahway Avenue,
 Union, NJ 07083
 Phone: 908-687-5000
 Fax: 908-687-5710

TITLE UNIVERSAL SERIAL BUS, TYPE C 3.1, FEMALE, VERTICAL, BLACK INSULATOR, TAPE AND REEL

APPROVALS		DATE
DRAWN	AY	5/28/18
CHECKED	LW	5/28/18
APPROVED		

SIZE	PART NO.	REV.
X	USB-C31-S-VT-CS2A-BK-PP-T/R	A
REF:	S00296T	SCALE: NTS
		SHEET 2 OF 3

6

5

4

3

2

1

6

5

4

3

2

1

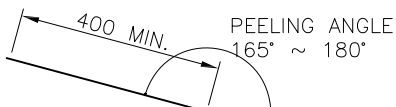
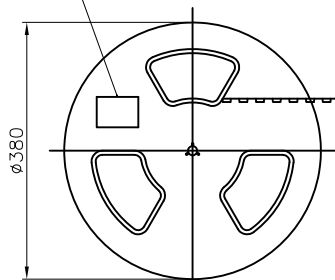
APPROVED: _____
DATE: _____ TITLE: _____

Rev | AWO # | Description | Date | Appr

SEE SHT 1 OF 3 FOR REVISION

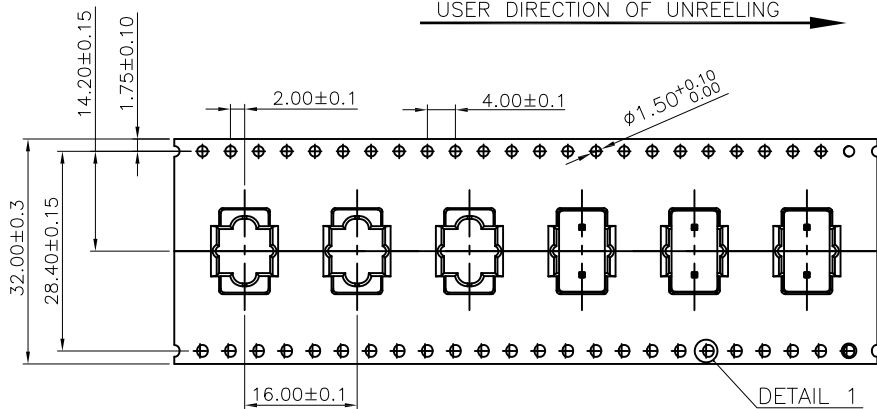
38.4
32.4

LABEL

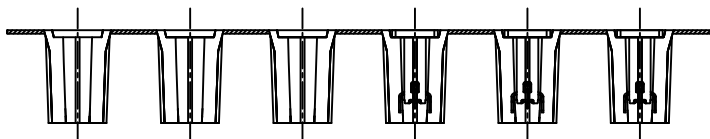


ABOUT 160 MM LONG UNLOADED SECTION | PRODUCT LOADING SECTION | ABOUT 160 MM LONG UNLOADED SECTION

USER DIRECTION OF UNREELING →



DETAIL 1



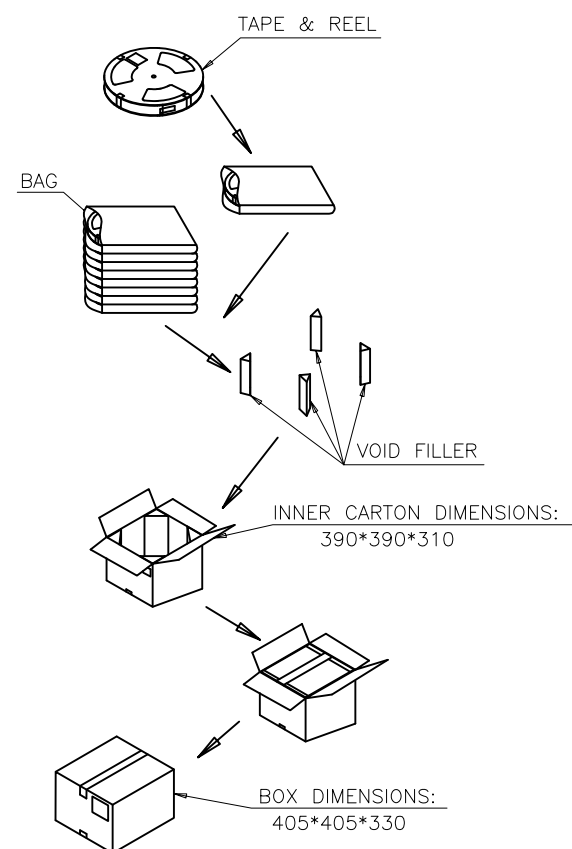
NOTE:

1. MATERIAL:
BOX: FIBREBOARD, CORRUGATED, DOUBLE WALL.
TAPE: POLYSTYRENES, HEAT-RESISTANT TEMPERATURE: 120°C, BLACK COLOR.
REEL: POLYSTYRENES, HEAT-RESISTANT TEMPERATURE: 70°C, BLUE COLOR.
BAG: POLYETHYLENE, HEAT-RESISTANT TEMPERATURE: 100°C.

2. PEELING STRENGTH: 0.1 ~ 1.3 N (10 ~ 130 GRAMS)

3. PEELING SPEED: 300 mm/min.

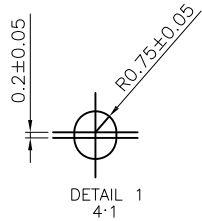
4. EACH BAG SHALL BE INCLUDED DESICCANT.



INNER CARTON DIMENSIONS:
390*390*310

BOX DIMENSIONS:
405*405*330

400	8	3200 PCS
PCS/ REEL	REELS/ CARTON	QUANTITY



DETAIL 1
4:1

UNLESS OTHERWISE SPECIFIED
ALL DIMENSIONS ARE MILLIMETERS
TOLERANCES: EXCEPT AS NOTED
ANGLE
MM
X. ± 0.20
.X ± 0.15
.XX ± 0.10
.XXX ± 0.05
± 1°

ADAM TECH INTERCONNECTS
909 Rahway Avenue,
Union, NJ 07083
Phone: 908-687-5000
Fax: 908-687-5710

APPROVALS		DATE
DRAWN	AY	5/28/18
CHECKED	LW	5/28/18
APPROVED		

TITLE UNIVERSAL SERIAL BUS, TYPE C 3.1, FEMALE, VERTICAL, BLACK INSULATOR, TAPE AND REEL		
SIZE X	PART NO. USB-C31-S-VT-CS2A-BK-PP-T/R	REV. A
REF: S00296T	SCALE: NTS	SHEET 3 OF 3

6

5

4

3

2

1