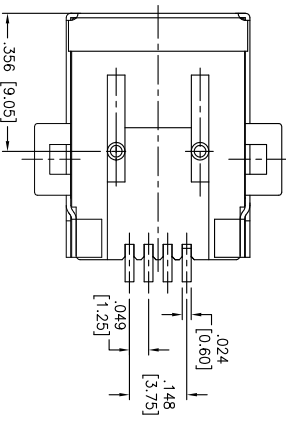
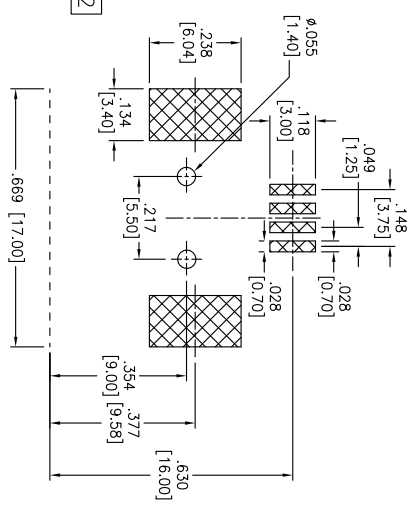
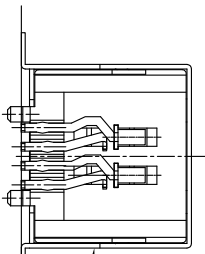
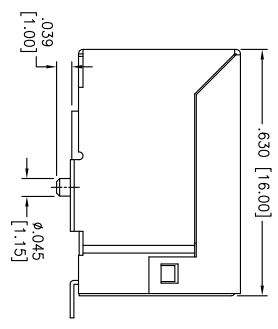
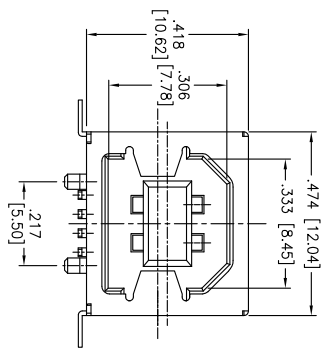
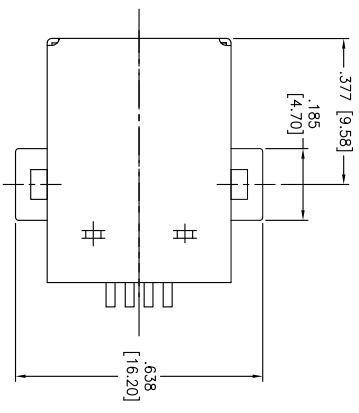


Rev	AWO #	Description	Date	Appr
-		RELEASED	1/22/08	
A		REDRAWN	7/5/11	
B		REVISED SHAPE	8/31/11	

APPROVED: _____
 DATE: _____ TITLE: _____



SPECIFICATIONS:

Material:
 Insulator: HI-temp thermoplastic, rated UL 94V-0
 Insulator color: Black
 Contacts: Copper Alloy
 Shield: Copper Alloy, Nickel plated
 Contact Plating:
 Gold Flash over Nickel underplate on contact area,
 Tin over Copper underplate on SMT tails

Electrical:
 Operating voltage: 30 VAC max
 Current rating: 1.5 Amps max @250V AC
 Contact Resistance: 30 mohms max. initial
 Insulation Resistance: 1000 Mohms min
 Dielectric withstanding voltage: 500 VAC for 1 minut
 Temperature Rating:
 Operating temperature: -20°C to +60°C
 Environmental:
 Lead free, RoHS compliant.

UNLESS OTHERWISE SPECIFIED
 ALL DIMENSIONS ARE INCHES [MM]
 TOLERANCES: EXCEPT AS NOTED

INCHES	HOLES
.X ± .10	ØX ± .10
.XX ± .020	ØXX ± .015
.XXX ± .015	ØXXX ± .010

ADAM TECH
 909 Railway Avenue, Union, NJ 07083
 Phone: 908-687-5000 Fax: 908-687-5710

TITLE: UNIVERSAL SERIAL BUS
 SINGLE PORT, RIGHT ANGLE, SMT

APPROVALS	DATE
DRAWN SS	1/22/08
CHECKED	
APPROVED	

SIZE X	PART NO. USB-B-S-RA-TSMT	REV. B
REF: S00005C	SCALE: NTS	SHEET 1 OF 1

