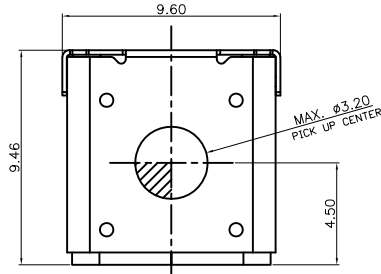
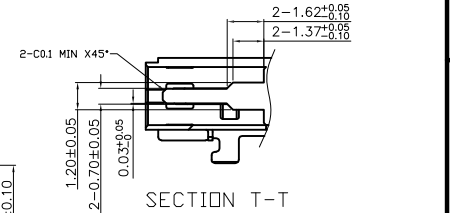
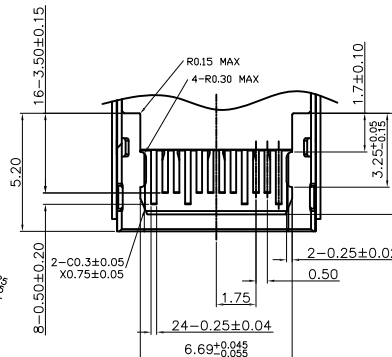
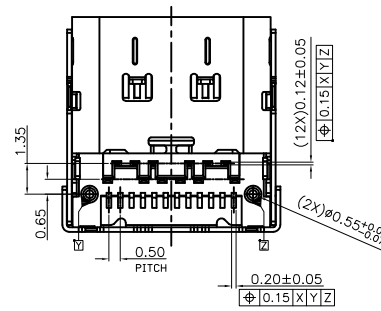
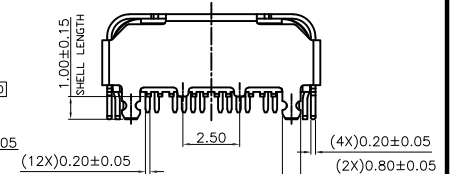
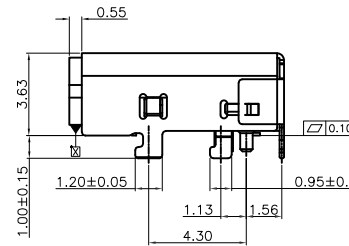
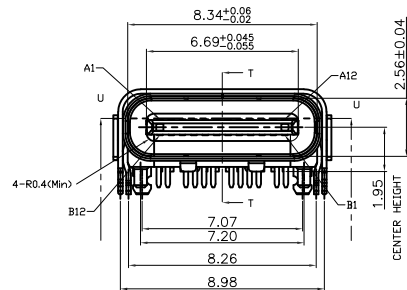
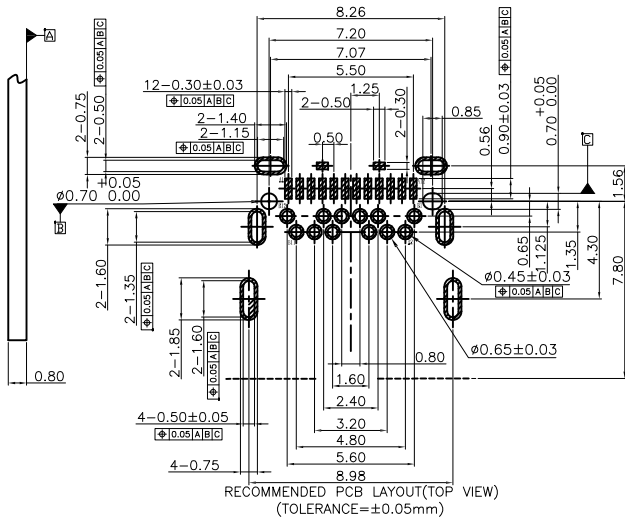


APPROVED: _____
 DATE: _____ TITLE: _____

Rev	AWO #	Description	Date	Appr
-		RELEASED	10/19/18	



PIN ASSIGNMENT											
A1	A2	A3	A4	A5	A6	A7	A8	A9	A10	A11	A12
GND	TX1-	TX1	VBUS	CC1	D-	D+	RFUI	VBUS	RX2-	RX2+	GND
GND	RX1+	RX1-	VBUS	RFU2	D-	D+	CC2	VBUS	TX2-	TX2+	GND
B12	B11	B10	B9	B8	B7	B6	B5	B4	B3	B2	B1



SPECIFICATIONS:
 Material:
 Insulator: Hi-Temp Thermoplastic, rated UL 94V-0
 Insulator color: Black
 Contacts: Copper Alloy
 MID-Plate: Stainless Steel
 EMC Pad: Stainless Steel
 Shell: Stainless Steel
 Outer Shell: Stainless Steel

Plating:
 Gold flash over Nickel underplate on contact area,
 Matte Tin over Nickel underplate on solder tails.

Electrical:
 Current rating: 5A for VBUS Pins (A4, A9, B4, B9)
 1.25A for GND Pins (A1, A12, B1, B12)
 0.25A for Other Pins
 Contact resistance: 40 mohms for VBUS GND & Other Contact
 50 mohms After Environment Test.
 Measure at 20mV, 100mA

Mechanical:
 Insertion force: 5~20N
 Withdrawal force: 8~20N
 Durability: 10,000 cycles
 Temperature Rating:
 Operating temperature: -55°C to +85°C
 Environmental:
 Lead free, RoHS compliant.



PACKAGED ON TAPE & REEL

UNLESS OTHERWISE SPECIFIED ALL DIMENSIONS ARE MILLIMETERS TOLERANCES: EXCEPT AS NOTED	
MM	ANGLE
X.X ± 0.25	±1°
X.XX ± 0.15	
X.XXX ± 0.10	
APPROVALS	DATE
DRAWN AY	10/19/18
CHECKED TW	10/19/18
APPROVED	

ADAM TECH
 INTERCONNECTS
 909 Rahway Avenue,
 Union, NJ 07083
 Phone: 908-687-5000
 Fax: 908-687-5710

TITLE: UNIVERSAL SERIAL BUS, TYPE C, FEMALE, HYBRID TYPE, RIGHT ANGLE, H=3.63 MM			
SIZE	PART NO.	REV.	
X	USB-C31-S-RA-CS12-BK-T/R	-	
REF: S00288T	SCALE: NTS	SHEET 1 OF 1	