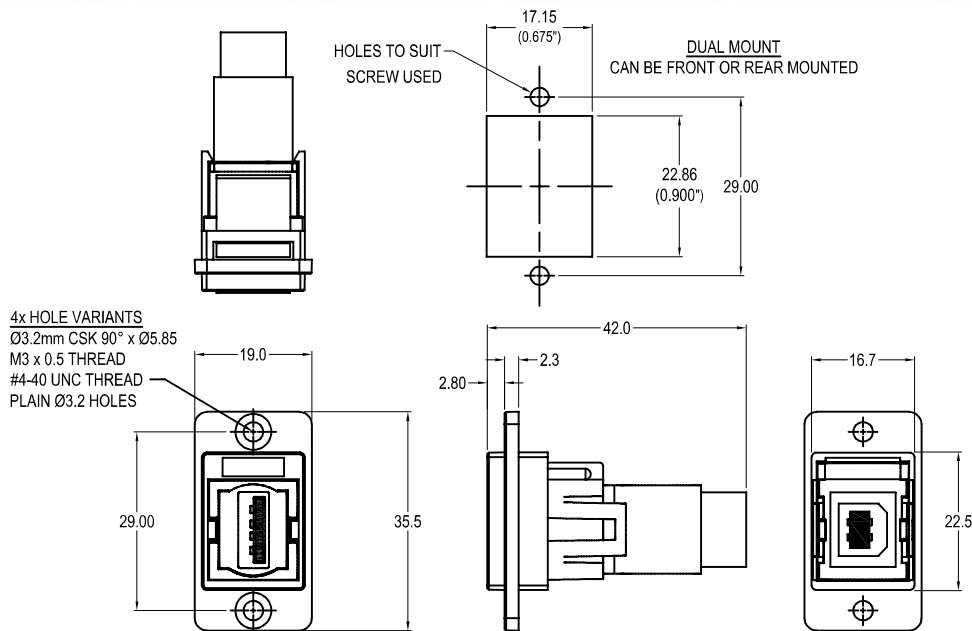


CLIFF

DUALSLIM USB2.0 A-B METAL FRAME FEEDTHROUGH CONNECTOR

Can be front or rear mounted in the panel



4x HOLE VARIANTS
 Ø3.2mm CSK 90° x Ø5.85
 M3 x 0.5 THREAD
 #4-40 UNC THREAD
 PLAIN Ø3.2 HOLES

VARIANTS

Part No.

- CP30709NM** DUALSLIM USB2.0 A-B Nickel frame, CSK holes
- CP30709NMB** DUALSLIM USB2.0 A-B Black metal frame, CSK holes
- CP30709NM3** DUALSLIM USB2.0 A-B Nickel frame, M3 holes
- CP30709NMB3** DUALSLIM USB2.0 A-B Black metal frame, M3 holes
- CP30709NM440** DUALSLIM USB2.0 A-B Nickel frame, #4-40 holes
- CP30709NMB440** DUALSLIM USB2.0 A-B Black metal frame, #4-40 holes
- CP30709NMX1** DUALSLIM USB2.0 A-B Nickel frame, Ø3.2 PLAIN holes
- CP30709NMBX1** DUALSLIM USB2.0 A-B Black metal frame, Ø3.2 PLAIN holes

Feedthrough Features

- Fits standard rectangular cutout.
- Front or rear mounting through the panel.
- Various hole mounting options.
- No soldering or punch termination. Use standard cable for each connector style.
- Low rear profile.

General:

Please note: Functionality is affected by cable quality, length and cable wiring configuration.

Material:

1. Insert: ABS
2. Frame: Diecast, Nickel or Black plated
3. Inner Overmouldings: PE + PVC
4. Shell: Nickel plated steel
5. Contacts: Gold Plated

Notes:

1. Voltage rating: 30V AC
2. Current rating: 1.5 A max
3. Contact resistance: 50mΩ max
4. Insulation resistance: 20MΩ min
5. Dielectric withstanding voltage: 500V AC
6. Operating Temperature: -20°C to 50°C