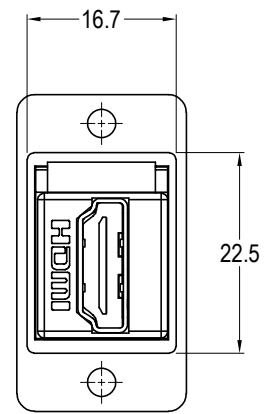
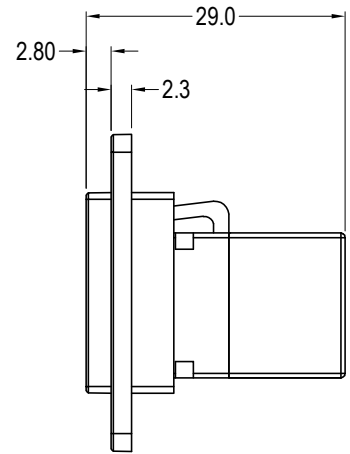
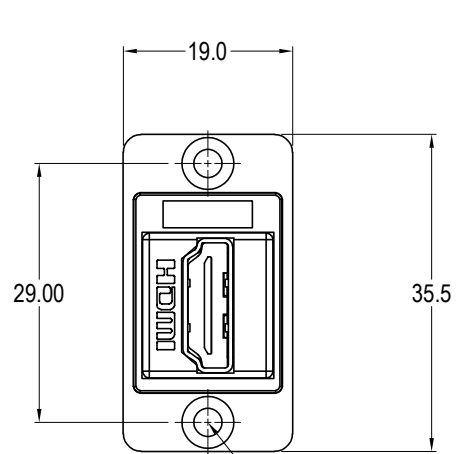
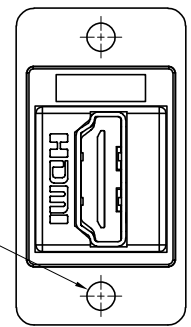
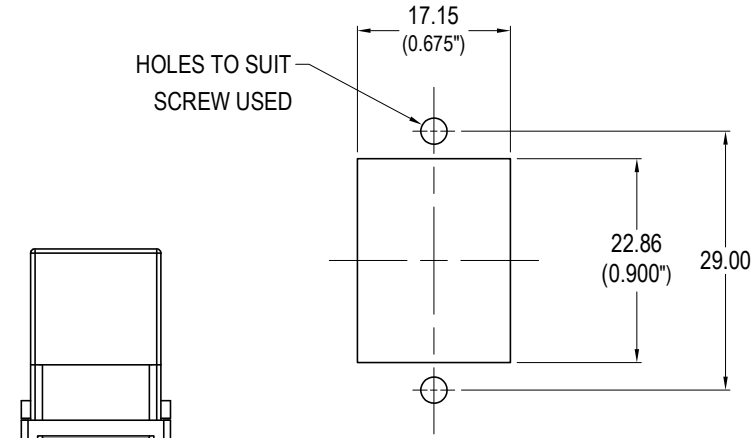


ISS.	AMEND	DATE
1	ISSUED	05/01/21

DUAL MOUNT
CAN BE FRONT OR REAR MOUNTED



Ø3.20 PLAIN HOLE
CP30700GMX1

VARIANTS	
PART NO.	HOLE DETAILS
CP30700GM	HOLE Ø3.2 x CSK 90° x Ø5.85
CP30700GM3	M3 HOLES
CP30700GM440	#4-40 HOLES
CP30700GMX1	PLAIN HOLE Ø3.2

- 4x HOLE VARIANTS
- Ø3.2mm CSK 90° x Ø5.85
 - M3 x 0.5 THREAD
 - #4-40 UNC THREAD
 - PLAIN Ø3.2 HOLES

- Material:
1. Insert: ABS UL94 HB
 2. FT Frame: Diecast, Nickel plated
 3. Shell: Gold plated
 4. Contacts: Gold Plated

RoHS
COMPLIANT

TOLERANCE
NO DEC. PLACE ±
1 DEC. PLACE ±
2 DEC. PLACE ±
HOLE Ø ±
ANGLES ±
UNLESS OTHERWISE STATED

Cliff Electronic Components Ltd.
76 Holmehorpe Avenue, Holmehorpe Industrial Estate,
Redhill, Surrey, RH1 2PF, England, UK
Tel: 01737-771375 Fax: 01737-766012 Website: www.cliffuk.co.uk

DIMENSIONS IN MILLIMETERS UNLESS OTHERWISE STATED. WORK TO DIMENSIONS. REMOVE ALL BURRS. IF IN DOUBT ASK.

3rd ANGLE PROJECTION:

DO NOT SCALE

MATERIAL: See Notes

TITLE: DUAL SLIM METAL FT HDMI F-F

FINISH: See Notes

DRAWN: T.J.O.

APPROVED: D.P.J.

DRWG. No. **CP30700GM**

FORM: A4DRWGH