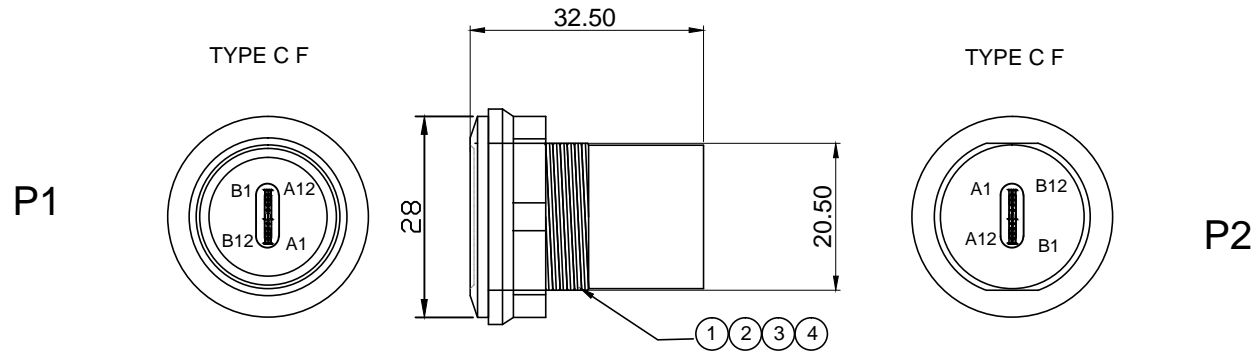


RoHS Compliant



- NOTES:
- PIN ASSIGNMENT SEE TO WIRE LIST.
 - ELECTRICAL TEST CONDITION:
 - 100% OPEN, SHORT & MISWIRE TEST,
 - INSULATOR RESISTANCE: 10 Mohm MIN.
DC 300V 0.01sec.
 - CONTACT RESISTANCE: 3ohm MAX.

PIN ASSIGNMENT

| | |
|----------|-----|
| P1 | P2 |
| A2----- | A2 |
| A3----- | A3 |
| A5----- | A5 |
| A6----- | A6 |
| A7----- | A7 |
| A8----- | A8 |
| B8----- | B8 |
| A10----- | A10 |
| A11----- | A11 |
| B2----- | B2 |
| B3----- | B3 |
| B5----- | B5 |
| B11----- | B11 |
| B10----- | B10 |

| | |
|---------------------|-----------------|
| A1+B1+A4+B4----- | A1+B1+A4+B4 |
| +A9+B9+A12+B12----- | +A9+B9+A12+B12 |
| -----SHELL----- | -----SHELL----- |

| | | |
|-----|---|-----|
| 4 | NUT BLACK PVC 27P MOLDED. | |
| 3 | PVC 45P BLACK. | |
| 2 | TYPE C F BLACK PBT WITH NICKLE PLATED SHELL G/F. | |
| 1 | MICRO USB B F BLACK PBT WITH NICKLE PLATED SHELL G/F. | |
| NO. | Description | P/N |

| | | | | | | | |
|--------------|----------|------------------|--|----------|-------|------|-----------|
| DWG NO: | PCM-0169 | GOODS CODE | | Draw | Jason | Date | 2019/3/30 |
| ITEM NO. | | DRAWING EVIDENCE | | Check | | Date | |
| Goods NO. | | | | Approval | | Date | |
| Original NO. | | Unit(mm) | | | | | |

PREMIER CABLE MFG CO LTD

| | | |
|-------|--------|-------|
| D | | |
| C | | |
| B | | |
| VER.A | REVISE | Date. |