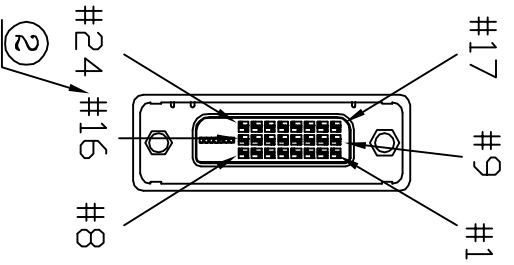


REV	DESC	DATE	ECN NO
B		2011.5.10	N11105015
C		2011.11.11	N21111057

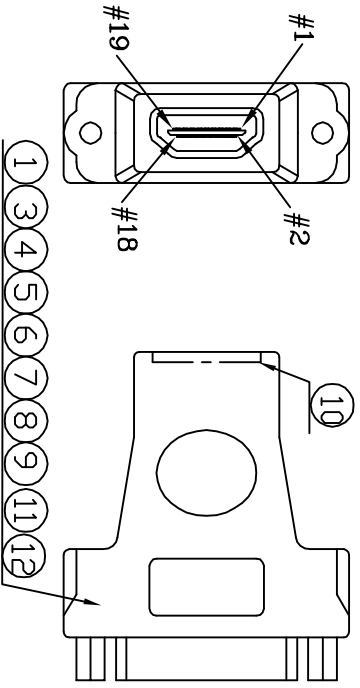
P2 <DVI female>



35  
**ROHS**  
 compliant

50MM  
 ASSMANN Electronics  
 Part number: XXXX PCS  
 Quantity: XXXX PCS  
 25MM

P1 <HDMI female>



* 330010007801	LABEL:50*25MM (貼PE袋中間及紙箱兩側左上角)	403/400	PCS
* 330010004079	無毒標籤:35*22MM	42/400	PCS
* 390	PE BAG:30*28*0.08MM	1/400	PCS
* 390	CARTON:46*30*20CM	1/400	PCS
* 390	PE BAG:6*8*0.06MM	1/10	PCS
* 370	PE BAG:3.5*3.5*0.06MM	1	PCS
12	JUMP-WIRE-26#-1007		PCS
11	HDMI A type Connr(female) <需註P/N005-01-00127><插板式>	1	PCS

**ROHS COMPLIANT**

OUTER MOLDING	AV.157	GC:HDMI-DV1143
INNER MOLDING		GC:HDMI-DV1144

ASSMANN Electronics, Inc.



ITEM#	MGHDMI92521L00148	REV	C
-------	-------------------	-----	---

PIN ASSIGNMENT

P1	P2
1	2
2	3
3	4
4	5
5	6
6	7
7	8
8	9
9	10
10	11
11	12
12	13
13	14
14	15
15	16
16	17
17	18
18	19
19	20
20	21
21	22
22	23
23	24
24	25
25	26
26	27
27	28
28	29
29	30
30	31
31	32
32	33
33	34
34	35
35	36
36	37
37	38
38	39
39	40
40	41
41	42
42	43
43	44
44	45
45	46
46	47
47	48
48	49
49	50
50	51
51	52
52	53
53	54
54	55
55	56
56	57
57	58
58	59
59	60
60	61
61	62
62	63
63	64
64	65
65	66
66	67
67	68
68	69
69	70
70	71
71	72
72	73
73	74
74	75
75	76
76	77
77	78
78	79
79	80
80	81
81	82
82	83
83	84
84	85
85	86
86	87
87	88
88	89
89	90
90	91
91	92
92	93
93	94
94	95
95	96
96	97
97	98
98	99
99	100

NO	TYPE	DESCRIPTION	QTY	UNIT	ALL DIMENSIONS IN mm (UNLESS OTHERWISE SPECIFIED)
1	260030000115	PCB:Y-S0002	1	PCS	
2	110362025005	DVI-24+KEY-F<BLACK>/NUTS	1	PCS	
3	210	JUMP-WIRE-26#-1007		MM	
4	220	SDL-WIRE-FULL-TIN1.0	1.0	G	
5	370	PE:5321	3.5	G	
6	370	HI TEAMP TAPE:W:19MM	70*1	MM	
7	370	FDIL-CU:24MM	80*1	MM	
8	370	SDL-WIRE-FULL-TIN-1.2	2.0	G	
9	370	PVC-BLACK10/50	12	G	
10	370	PVC-BK10/30 (MOLDING 1 PCS HDMI HOOD)	2	G	
11	110640000120	HDMI A type Connr(female) <需註P/N005-01-00127><插板式>	1	PCS	
12	210	JUMP-WIRE-26#-1007		PCS	
* 370		PE BAG:3.5*3.5*0.06MM	1	PCS	
* 390		PE BAG:6*8*0.06MM	1/10	PCS	
* 390		CARTON:46*30*20CM	1/400	PCS	
* 390		PE BAG:30*28*0.08MM	1/400	PCS	
* 330010007801		LABEL:50*25MM (貼PE袋中間及紙箱兩側左上角)	403/400	PCS	

DRAWN BY: ZHONG  
 CHECKED BY:  
 APPROVED BY:

CUSTOMER P/N:	AB 566-R
CUSTOMER:	C379
SCALE:	NONE
DATE:	2006-10-31
PAGE:	1/1