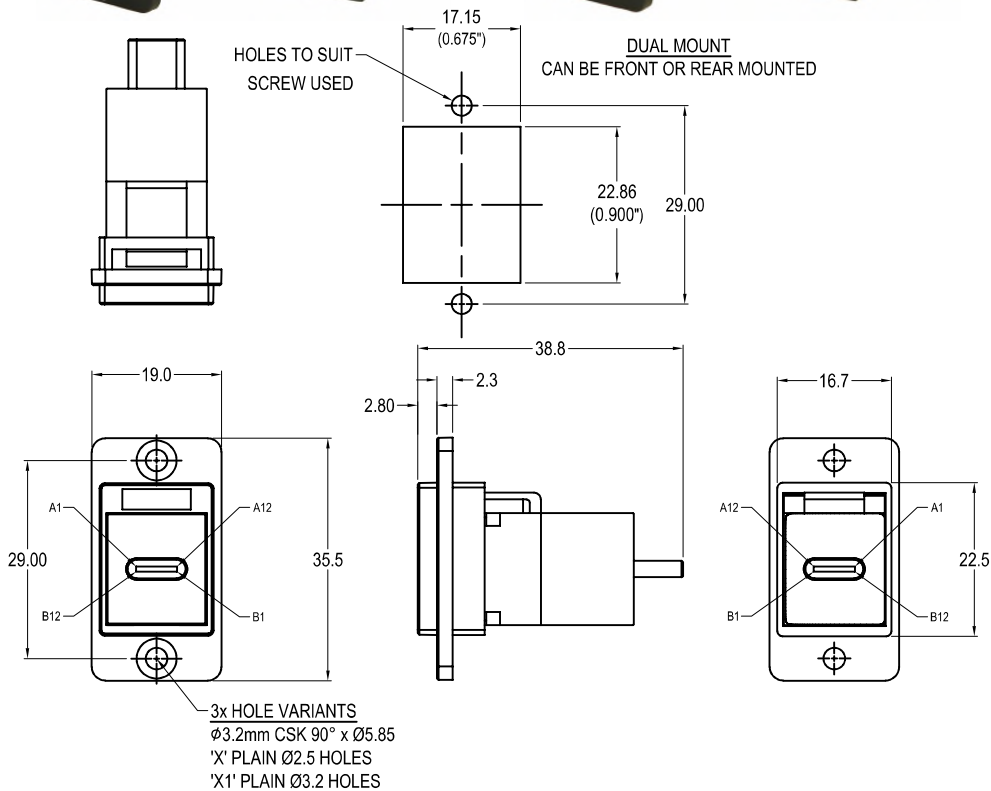


# CLIFF

## DUALSLIM USB-C Female-Male FEEDTHROUGH CONNECTOR

Can be front or rear mounted in the panel



### VARIANTS

Part No.

**CP30711**

DUALSLIM USB-C F-M Black plastic frame, CSK holes

**CP30711X**

DUALSLIM USB-C F-M Black plastic frame, Ø2.5 PLAIN holes

**CP30711X1**

DUALSLIM USB-C F-M Black plastic frame, Ø3.2 PLAIN holes

### Feedthrough Features

- Fits standard rectangular cutout.
- Front or rear mounting through the panel.
- Various hole mounting options.
- No soldering or punch termination. Use standard cable for each connector style.
- Low rear profile.

### General:

Please note: Functionality is affected by cable quality, length and cable wiring configuration.

### Material:

1. Insert: ABS - UL94 HB
2. Plastic Frame: Polyamide UL94 V-2

### USB-C Specification:

Maximum Rated Current - 3A  
Maximum Working Voltage - 30V  
Withstanding Voltage - 100V for 1 minute.  
Contact Resistance - 40 Milli-ohms Max.  
Insulation Resistance - 100 Mega-ohms Min.  
Insulator Flammability Rating - UL-94V0  
Insertion Life - 10,000 Cycles.