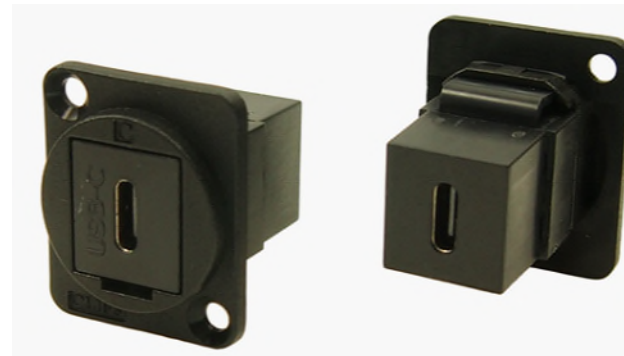


PANEL CUTOUT  
MAXIMUM PANEL  
THICKNESS 3mm

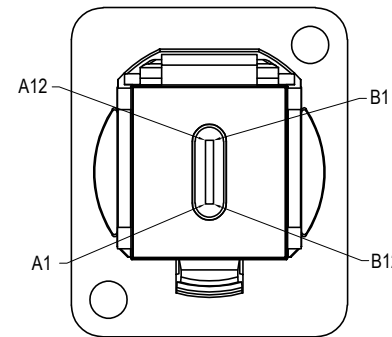


Materials:

Frame: PA66, UL94-V2  
Insert: ABS - UL94 HB

USB-C Specification:

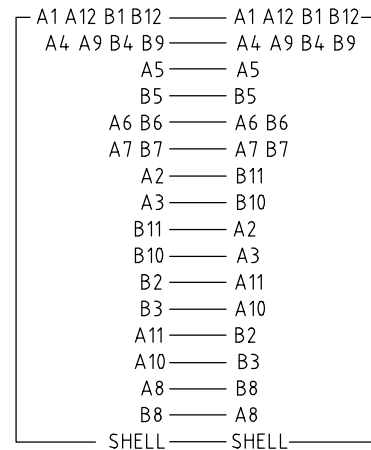
Maximum Rated Current - 3A  
Maximum Power - 60W  
Withstanding Voltage - 100V for 1 minute.  
Contact Resistance - 40 Milli-ohms Max.  
Insulation Resistance - 100 Mega-ohms Min.  
Insertion Life - 5,000 Cycles.



| ISS. | AMEND              | DATE     |
|------|--------------------|----------|
| 1    | ISSUED             | 02/09/19 |
| 2    | USAGE NOTES        | 07/10/19 |
| 3    | ADD WHITE VARIANTS | 25/06/21 |

WIRING DIAGRAM

FRONT                      REAR



FUNCTIONALITY IS AFFECTED BY CABLE QUALITY, LENGTH AND CABLE WIRING CONFIGURATION.  
NOT COMPATIBLE FOR POWER DELIVERY (PD) CHARGING.

| PART NO.  | COLOUR | DESCRIPTION                  |
|-----------|--------|------------------------------|
| CP30201   | BLACK  | HOLE Ø3.50 x CSK 82° x Ø5.85 |
| CP30201W  | WHITE  |                              |
| CP30201X  | BLACK  | PLAIN HOLE Ø2.50             |
| CP30201XW | WHITE  |                              |

**RoHS**  
**COMPLIANT**

TOLERANCE

NO DEC. PLACE ± 0.50  
1 DEC. PLACE ± 0.20  
2 DEC. PLACE ± 0.10  
HOLE Ø ± 0.10  
ANGLES ± 1/2°  
UNLESS OTHERWISE STATED

DO NOT SCALE

**Cliff Electronic Components Ltd.**  
76 Holmetherpe Avenue, Holmetherpe Industrial Estate,  
Redhill, Surrey, RH1 2PF, England, UK  
Tel: 01737-771375 Fax: 01737-766012 Website: www.cliffuk.co.uk

DIMENSIONS IN MILLIMETERS UNLESS OTHERWISE STATED. WORK TO DIMENSIONS. REMOVE ALL BURRS. IF IN DOUBT ASK.

3rd ANGLE PROJECTION:

MATERIAL: SEE NOTES  
FINISH: CLEAN

TITLE: FT USBC FEMALE-FEMALE

THE CONTENTS OF THIS DOCUMENT MUST NOT BE COPIED OR DISCLOSED TO A 3rd PARTY WITHOUT WRITTEN PERMISSION OF CLIFF UK. © 2019

DRAWN: D.P.J.

APPROVED: T.J.O.

DRWG. No. **CP30201** FORM: A4DRWG-