



# Differential LVPECL-to-LVDS Translators

## General Description

The MAX9374 and MAX9374A are 2.0GHz differential LVPECL-to-LVDS translators and are designed for telecom applications. They feature 250ps propagation delay. The differential output conforms to the ANSI TIA/EIA-644 LVDS standard. The inputs are biased with internal resistors such that the output is differential low when inputs are open. An on-chip  $V_{BB}$  reference output is available for single-ended operation.

The MAX9374 is designed for low-voltage operation from a 2.375V to 2.625V power supply for use in 2.5V systems. The MAX9374A is designed for 3.0V to 3.6V operation in systems with a nominal 3.3V supply. Both devices are offered in industry-standard 8-pin SOT23 and SO packages.

## Applications

Precision Clock Buffer  
 Low-Jitter Data Repeater  
 Central Office Clock Distribution  
 DSLAM/DLC  
 Base Station  
 Mass Storage

## Features

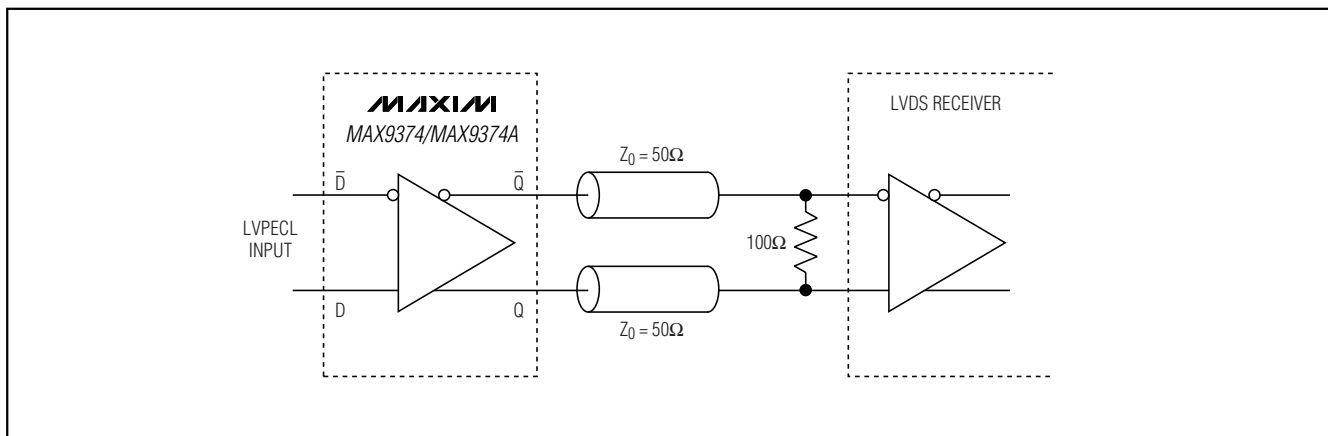
- ◆ Guaranteed 2.0GHz Operating Frequency
- ◆ 250ps (typ) Propagation Delay
- ◆ 1.0ps RMS Jitter (typ)
- ◆ 2.375V to 2.625V Low-Voltage Supply Range (MAX9374)
- ◆ On-Chip  $V_{BB}$  Reference for Single-Ended Input
- ◆ Output Low for Open Inputs
- ◆ Output Conforms to ANSI TIA/EIA-644 LVDS Standard
- ◆ ESD Protection >2.0kV (Human Body Model)
- ◆ Available in Small 8-Pin SOT23 Package

## Ordering Information

PART	TEMP RANGE	PIN-PACKAGE	TOP MARK
MAX9374EKA-T	-40°C to +85°C	8 SOT23-8	AAKU
MAX9374ESA	-40°C to +85°C	8 SO	—
MAX9374A EKA-T	-40°C to +85°C	8 SOT23-8	AAKV
MAX9374AES A	-40°C to +85°C	8 SO	—

Pin Configurations/Functional Diagrams appear at end of data sheet.

## Typical Application Circuit



# Differential LVPECL-to-LVDS Translators

## ABSOLUTE MAXIMUM RATINGS

V <sub>CC</sub> to GND.....	4.0V	Junction-to-Ambient Thermal Resistance with 500 LFPM Airflow	
V <sub>D</sub> , V <sub>D</sub> to GND.....	-0.3V to V <sub>CC</sub> + 0.3V	8-Pin SOT23.....	+78°C/W
V <sub>D</sub> to V <sub>D</sub> .....	3.0V	8-Pin SO.....	+99°C/W
V <sub>BB</sub> Sink/Source Current.....	1mA	Junction-to-Case Thermal Resistance	
Short-Circuit Duration (Q, Q to GND).....	Continuous	8-Pin SOT23.....	+80°C/W
Short-Circuit Duration (Q to Q).....	Continuous	8-Pin SO.....	+40°C/W
Continuous Power Dissipation (T <sub>A</sub> = +70°C)		Operating Temperature Range.....	-40°C to +85°C
8-Pin SOT23 (derate 8.9mW/°C above +70°C).....	714mW	Junction Temperature.....	+150°C
8-Pin SO (derate 5.9mW/°C above +70°C).....	470mW	Storage Temperature Range.....	-65°C to +150°C
Junction-to-Ambient Thermal Resistance		ESD Protection	
8-Pin SOT23.....	+112°C/W	Human Body Model (D, D, Q, Q).....	2kV
8-Pin SO.....	+170°C/W	Soldering Temperature (10s).....	+300°C

Stresses beyond those listed under "Absolute Maximum Ratings" may cause permanent damage to the device. These are stress ratings only, and functional operation of the device at these or any other conditions beyond those indicated in the operational sections of the specifications is not implied. Exposure to absolute maximum rating conditions for extended periods may affect device reliability.

## DC ELECTRICAL CHARACTERISTICS

(V<sub>CC</sub> = 2.375V to 2.625V for MAX9374, V<sub>CC</sub> = 3.0V to 3.6V for MAX9374A, 100Ω ±1% across outputs, V<sub>ID</sub> = 0.095V to V<sub>CC</sub> or 3V, whichever is less, V<sub>IHD</sub> = 1.2V to V<sub>CC</sub>, V<sub>ILD</sub> = GND to V<sub>CC</sub> - 0.095V, unless otherwise noted. Typical values are at V<sub>IHD</sub> = 2.0V, V<sub>ILD</sub> = 1.85V, V<sub>CC</sub> = 3.3V for MAX9374A, V<sub>CC</sub> = 2.5V for MAX9374.) (Notes 1, 2)

PARAMETER	SYMBOL	CONDITIONS	-40°C			+25°C			+85°C			UNITS
			MIN	TYP	MAX	MIN	TYP	MAX	MIN	TYP	MAX	
<b>DIFFERENTIAL INPUT (D, D)</b>												
High Voltage of Differential Input	V <sub>IHD</sub>	Figure 1	1.2		V <sub>CC</sub>	1.2		V <sub>CC</sub>	1.2		V <sub>CC</sub>	V
Low Voltage of Differential Input	V <sub>ILD</sub>	Figure 1	GND		V <sub>CC</sub> - 0.095	GND		V <sub>CC</sub> - 0.095	GND		V <sub>CC</sub> - 0.095	V
Single-Ended Input High Voltage	V <sub>IH</sub>	V <sub>BB</sub> connected to D (V <sub>IL</sub> for V <sub>BB</sub> connected to D), Figure 1	V <sub>CC</sub> - 1.165		V <sub>CC</sub>	V <sub>CC</sub> - 1.165		V <sub>CC</sub>	V <sub>CC</sub> - 1.165		V <sub>CC</sub>	V
Single-Ended Input Low Voltage	V <sub>IL</sub>	V <sub>BB</sub> connected to D (V <sub>IH</sub> for V <sub>BB</sub> connected to D), Figure 1	V <sub>EE</sub>		V <sub>CC</sub> - 1.475	V <sub>EE</sub>		V <sub>CC</sub> - 1.475	V <sub>EE</sub>		V <sub>CC</sub> - 1.475	V
Differential Input Voltage	V <sub>IHD</sub> - V <sub>ILD</sub>	V <sub>CC</sub> < 3.0V	0.1		V <sub>CC</sub>	0.1		V <sub>CC</sub>	0.1		V <sub>CC</sub>	V
		V <sub>CC</sub> ≥ 3.0V	0.1		3.0	0.1		3.0	0.1		3.0	
Input Current	I <sub>IN</sub>	V <sub>IHMAX</sub> , V <sub>ILMIN</sub> (Note 3)	-150		150	-150		150	-150		150	μA
<b>DIFFERENTIAL OUTPUT (Q, Q)</b>												
Output High Voltage	V <sub>OH</sub>	Figure 1			1.6			1.6			1.6	V
Output Low Voltage	V <sub>OL</sub>	Figure 1	0.9			0.9			0.9			V
Differential Output Voltage	V <sub>OD</sub>	Figure 1	250	350	450	250	350	450	250	350	450	mV

# Differential LVPECL-to-LVDS Translators

MAX9374/MAX9374A

## DC ELECTRICAL CHARACTERISTICS (continued)

( $V_{CC} = 2.375V$  to  $2.625V$  for MAX9374,  $V_{CC} = 3.0V$  to  $3.6V$  for MAX9374A,  $100\Omega \pm 1\%$  across outputs,  $V_{ID} = 0.095V$  to  $V_{CC}$  or  $3V$ , whichever is less,  $V_{IHD} = 1.2V$  to  $V_{CC}$ ,  $V_{ILD} = GND$  to  $V_{CC} - 0.095V$ , unless otherwise noted. Typical values are at  $V_{IHD} = 2.0V$ ,  $V_{ILD} = 1.85V$ ,  $V_{CC} = 3.3V$  for MAX9374A,  $V_{CC} = 2.5V$  for MAX9374.) (Notes 1, 2)

PARAMETER	SYMBOL	CONDITIONS	-40°C			+25°C			+85°C			UNITS
			MIN	TYP	MAX	MIN	TYP	MAX	MIN	TYP	MAX	
Change in $V_{OD}$ Between Complementary Output States	$\Delta V_{OD}$			1	25		1	25		1	25	mV
Output Offset Voltage	$V_{OS}$		1.125	1.25	1.375	1.125	1.25	1.375	1.125	1.25	1.375	V
Change in $V_{OS}$ Between Complementary Output States	$\Delta V_{OS}$			3	25		3	25		3	25	mV
Output Short-Circuit Current	$I_{OSC}$	Q or $\bar{Q}$ short to GND		23	30		23	30		23	30	mA
<b><math>V_{BB}</math> AND SUPPLY</b>												
Reference Voltage	$V_{BB}$	$I_{BB} = \pm 0.6mA$ (Note 4)	$V_{CC} - 1.38$		$V_{CC} - 1.26$	$V_{CC} - 1.38$		$V_{CC} - 1.26$	$V_{CC} - 1.38$		$V_{CC} - 1.26$	V
Supply Current	$I_{CC}$	(Note 5)		16	30		18	30		20	30	mA

## AC ELECTRICAL CHARACTERISTICS

( $V_{CC} = 2.375V$  to  $2.625V$  for MAX9374,  $V_{CC} = 3.0V$  to  $3.6V$  for MAX9374A,  $100\Omega \pm 1\%$  across outputs,  $V_{IHD} - V_{ILD} = 0.15V$  to  $V_{CC}$  or  $3V$ , whichever is less,  $V_{IHD} = 1.2V$  to  $V_{CC}$ ,  $V_{ILD} = GND$  to  $V_{CC} - 0.15V$ ,  $f_{IN} = 1GHz$ , input transition time =  $125ps$ , input duty cycle = 50%, unless otherwise noted. Typical values are at  $V_{IHD} = 2.0V$ ,  $V_{ILD} = 1.85V$ ,  $V_{CC} = 3.3V$  for MAX9374A,  $V_{CC} = 2.5V$  for MAX9374, unless otherwise noted.) (Notes 1, 6)

PARAMETER	SYMBOL	CONDITIONS	-40°C			+25°C			+85°C			UNITS
			MIN	TYP	MAX	MIN	TYP	MAX	MIN	TYP	MAX	
Differential Input to Differential Output Delay	$t_{PLHD}$ , $t_{PHLD}$	Figure 1	116	240	420	128	250	403	145	260	440	ps
Single-Ended Input to Differential Output Delay	$t_{PLHS}$ , $t_{PHLS}$	Figure 1	126	250	430	138	250	415	155	260	450	ps
Part-to-Part Skew	$t_{SKPP}$	(Note 7)			304			275			295	ps
Added Random Jitter (Note 8)	$t_{RJ}$	$f_{IN} = 1.0GHz$ , clock pattern		0.9	2		1	2		1	2	ps(RMS)
		$f_{IN} = 2.0GHz$ , clock pattern		0.8	2		0.9	2		0.9	2	
Added Deterministic Jitter (Note 8)	$t_{DJ}$	$f_{IN} = 2.0Gbps$ , $2^{23} - 1$ PRBS pattern		45	75		46	75		38	75	ps(P-P)
Operating Frequency	$f_{MAX}$	$V_{OD} \geq 250mV$	2.0	2.2		2.0	2.2		2.0	2.2		MHz
Output Rise/Fall Time	$t_r$ , $t_f$	20% to 80%, Figure 1		92	200		91	200		90	200	ps

# Differential LVPECL-to-LVDS Translators

## AC ELECTRICAL CHARACTERISTICS (continued)

( $V_{CC} = 2.375V$  to  $2.625V$  for MAX9374,  $V_{CC} = 3.0V$  to  $3.6V$  for MAX9374A,  $100\Omega \pm 1\%$  across outputs,  $V_{IHD} - V_{ILD} = 0.15V$  to  $V_{CC}$  or  $3V$ , whichever is less,  $V_{IHD} = 1.2V$  to  $V_{CC}$ ,  $V_{ILD} = GND$  to  $V_{CC} - 0.15V$ ,  $f_{IN} = 1GHz$ , input transition time =  $125ps$ , input duty cycle =  $50\%$ , unless otherwise noted. Typical values are at  $V_{IHD} = 2.0V$ ,  $V_{ILD} = 1.85V$ ,  $V_{CC} = 3.3V$  for MAX9374A,  $V_{CC} = 2.5V$  for MAX9374, unless otherwise noted.) (Notes 1, 6)

**Note 1:** Measurements are made with the device in thermal equilibrium.

**Note 2:** DC parameters are production tested at  $T_A = +25^\circ C$  and guaranteed by design over the full operating temperature range.

**Note 3:** Current into a pin is defined as positive. Current out of a pin is defined as negative.

**Note 4:** Use  $V_{BB}$  as a reference for inputs on the same device only.

**Note 5:**  $100\Omega$  across the outputs, all other pins open except  $V_{CC}$  and GND.

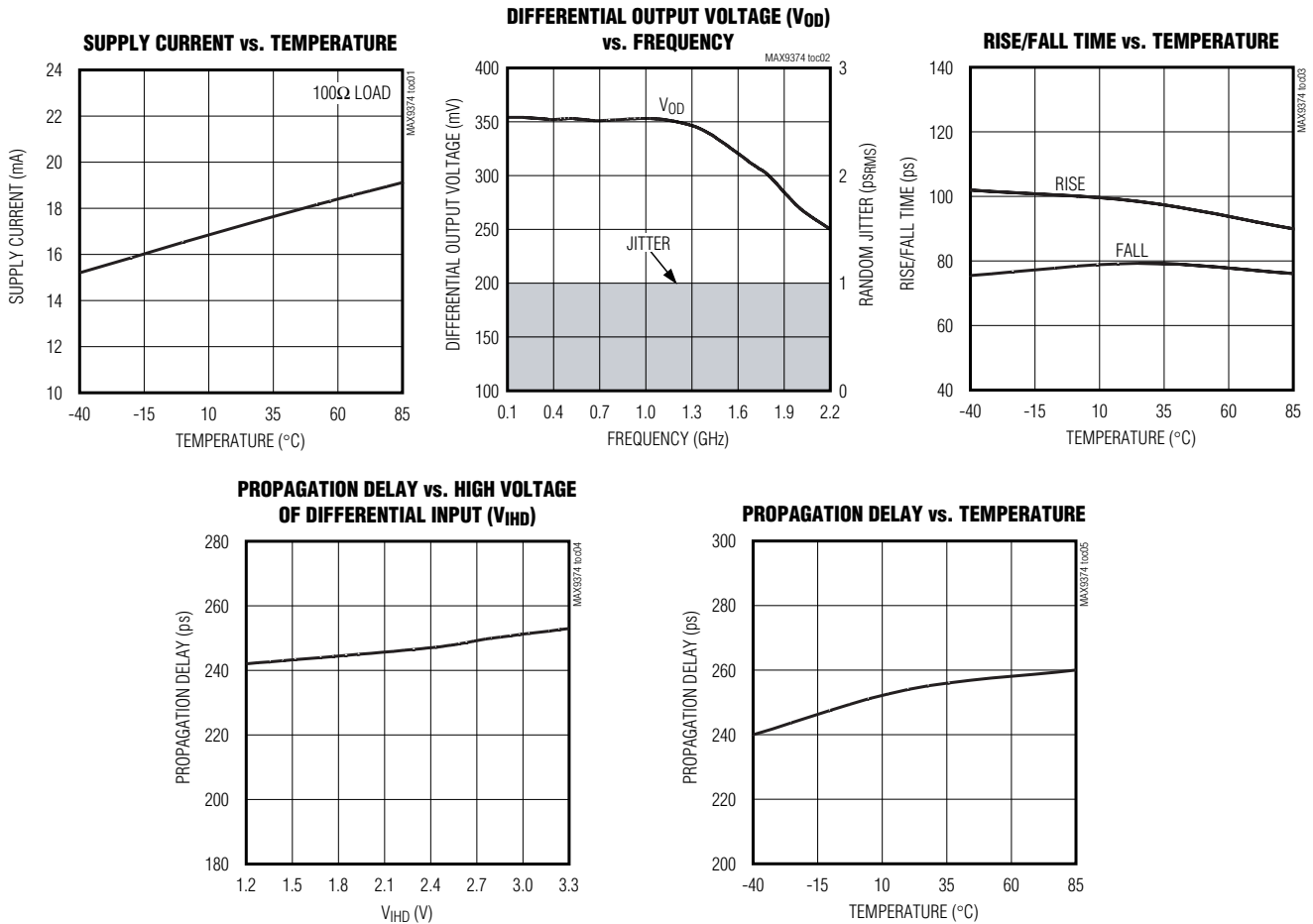
**Note 6:** Guaranteed by design and characterization. Limits are set at  $\pm 6$  sigma.

**Note 7:** Measured between outputs of different parts at the signal crossing points under identical conditions for a same-edge transition.

**Note 8:** Device jitter added to the input signal.

## Typical Operating Characteristics

(MAX9374A,  $100\Omega \pm 1\%$  across outputs,  $f_{IN} = 1GHz$ , input transition time =  $125ps$ , input duty cycle =  $50\%$ ,  $V_{CC} = 3.3V$ ,  $V_{IHD} = 2.0V$ ,  $V_{ILD} = 1.85V$ ,  $T_A = +25^\circ C$ , unless otherwise noted.)



# Differential LVPECL-to-LVDS Translators

## Pin Description

MAX9374/MAX9374A

PIN		NAME	FUNCTION
SOT23	SO		
1	4	V <sub>BB</sub>	Reference Output Voltage. Connect to the inverting or noninverting data input to provide a reference for single-ended operation. When used, bypass with a 0.01μF ceramic capacitor to V <sub>CC</sub> ; otherwise, leave it open.
2	5	GND	Ground. Provide a low-impedance connection to the ground plane.
3	3	$\bar{D}$	Inverted LVPECL Data Input. 36.5kΩ pullup to V <sub>CC</sub> and 75kΩ pulldown to GND.
4	2	D	Noninverted LVPECL Data Input. 75kΩ pullup to V <sub>CC</sub> and 75kΩ pulldown to GND.
5	8	V <sub>CC</sub>	Positive Supply Voltage. Bypass V <sub>CC</sub> to GND with 0.1μF and 0.01μF ceramic capacitors. Place the capacitors as close to the device as possible with the smaller value capacitor closest to the device.
6	7	Q	Noninverted LVDS Output. Typically terminate with 100Ω to $\bar{Q}$ .
7	6	$\bar{Q}$	Inverted LVDS Output. Typically terminate with 100Ω to Q.
8	1	N.C.	No Connection. Not internally connected.

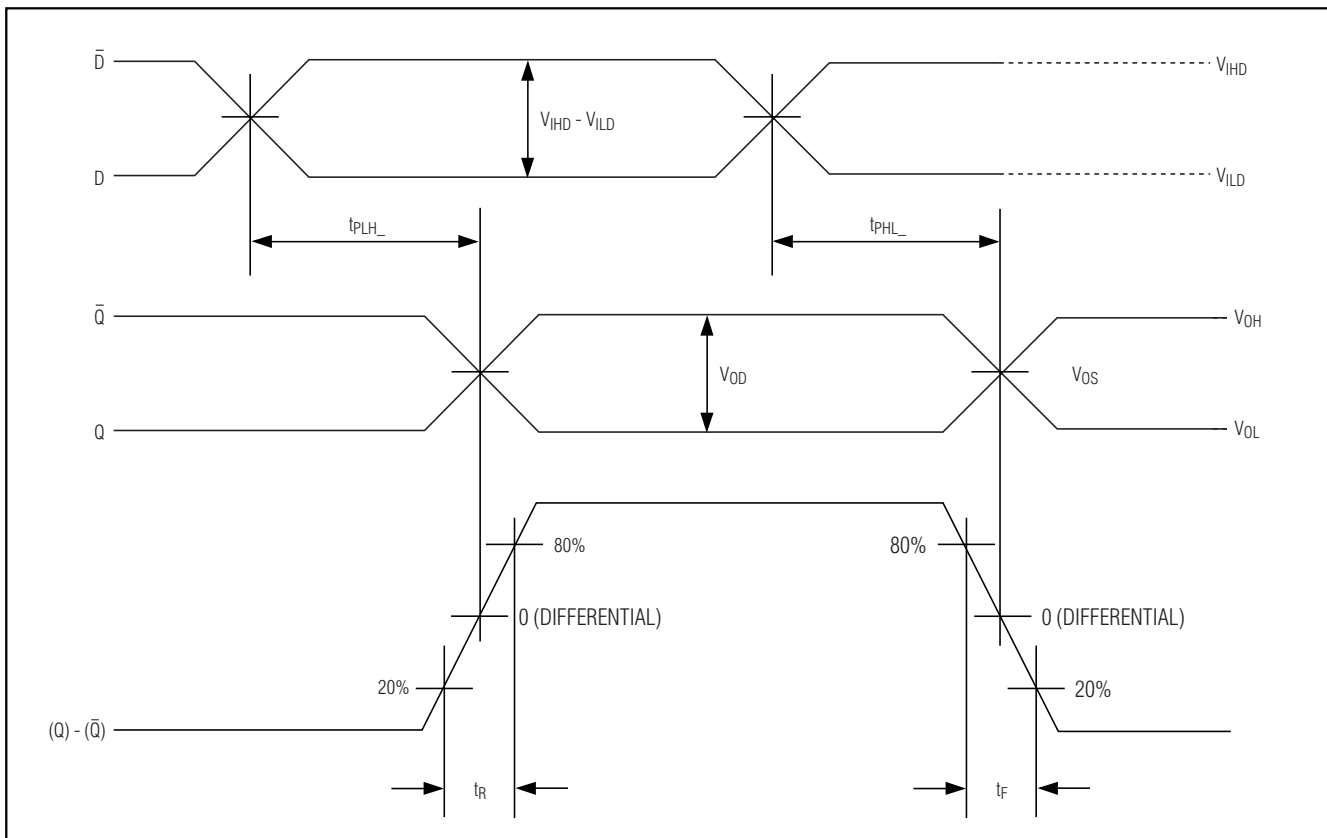


Figure 1. MAX9374/MAX9374A Timing Diagram

# Differential LVPECL-to-LVDS Translators

## Detailed Description

The MAX9374/MAX9374A are 2.0GHz differential LVPECL-to-LVDS translators. The output is differential LVDS and conforms to the ANSI TIA/EIA-644 LVDS standard. The inputs are biased with internal resistors such that the output is differential low when inputs are open. An on-chip  $V_{BB}$  reference output is available for single-ended input operation. The MAX9374 is designed for low-voltage operation from 2.375V to 2.625V in systems with a nominal 2.5V supply. The MAX9374A is designed for 3.0V to 3.6V operation in systems with a nominal 3.3V supply.

### Differential LVPECL Input

The MAX9374/MAX9374A accept differential LVPECL inputs and can be configured to accept single-ended inputs through the use of the  $V_{BB}$  voltage reference output. The maximum magnitude of the differential signal applied to the input is 3.0V or  $V_{CC}$ , whichever is less. This limit also applies to the difference between any reference voltage input and a single-ended input. Specifications for the high and low voltages of a differential input ( $V_{IHD}$  and  $V_{ILD}$ ) and the differential input voltage ( $V_{IHD} - V_{ILD}$ ) apply simultaneously.

### Single-Ended Inputs and $V_{BB}$

The differential inputs can be configured to accept a single-ended input through the use of the  $V_{BB}$  reference voltage. A noninverting, single-ended input is produced by connecting  $V_{BB}$  to the  $\bar{D}$  input and applying a single-ended input signal to the D input. Similarly, an inverting input is produced by connecting  $V_{BB}$  to the D input and applying the input signal to the  $\bar{D}$  input. With a differential input configured as single ended (using  $V_{BB}$ ), the single-ended input can be driven to  $V_{CC}$  and GND or with a single-ended LVPECL signal. Note that a single-ended input must be at least  $V_{BB} \pm 95\text{mV}$  or a differential input of at least 95mV to switch the outputs to the  $V_{OH}$  and  $V_{OL}$  levels specified in the *DC Electrical Characteristics* table.

When using the  $V_{BB}$  reference output, bypass it with a 0.01 $\mu\text{F}$  ceramic capacitor to  $V_{CC}$ . If the  $V_{BB}$  reference is not used, leave it unconnected. Use  $V_{BB}$  only for inputs that are on the same device as the  $V_{BB}$  reference.

### Input Bias Resistors

Internal biasing resistors ensure a (differential) output-low condition in the event that the inputs are not connected. The inverting input ( $\bar{D}$ ) is biased with a 36.5k $\Omega$  pull-down to  $V_{CC}$  and a 75k $\Omega$  pullup to GND. The noninverting input (D) is biased with a 75k $\Omega$  pullup to  $V_{CC}$  and 75k $\Omega$  pulldown to GND.

## Differential LVDS Output

The differential outputs conform to the ANSI TIA/EIA-644 LVDS standard. Typically, terminate the outputs with 100 $\Omega$  across Q and  $\bar{Q}$ , as shown in the *Typical Application Circuit*. The outputs are short-circuit protected.

## Applications Information

### Supply Bypassing

Bypass  $V_{CC}$  to GND with high-frequency surface-mount ceramic 0.1 $\mu\text{F}$  and 0.01 $\mu\text{F}$  capacitors in parallel and as close to the device as possible, with the 0.01 $\mu\text{F}$  capacitor closest to the device. Use multiple parallel vias to minimize parasitic inductance. When using the  $V_{BB}$  reference output, bypass it with a 0.01 $\mu\text{F}$  ceramic capacitor to  $V_{CC}$  (if the  $V_{BB}$  reference is not used, it can be left open).

### Controlled-Impedance Traces

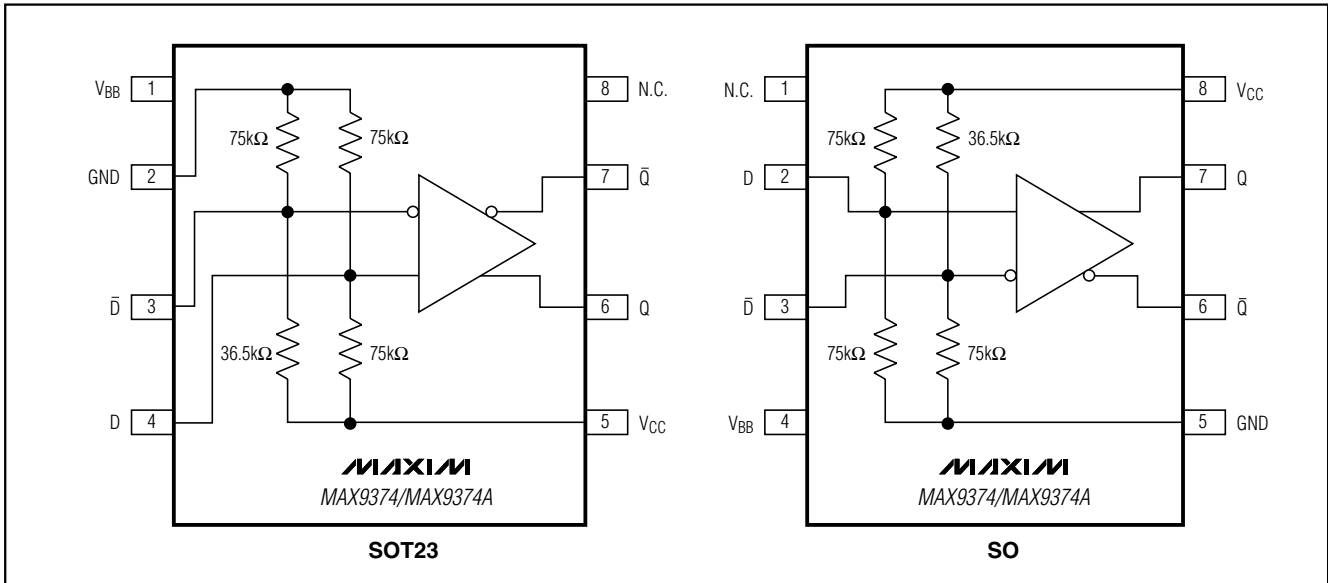
Input and output trace characteristics affect the performance of the MAX9374/MAX9374A. Connect high-frequency input and output signals to 50 $\Omega$  characteristic impedance traces. Minimize the number of vias to prevent impedance discontinuities. Reduce reflections by maintaining the 50 $\Omega$  characteristic impedance through cables and connectors. Reduce skew within a differential pair by matching the electrical length of the traces.

### Output Termination

Terminate the outputs with 100 $\Omega$  across Q and  $\bar{Q}$  as shown in the *Typical Application Circuit*. Both outputs must be terminated.

# Differential LVPECL-to-LVDS Translators

## Pin Configurations/Functional Diagrams



MAX9374/MAX9374A

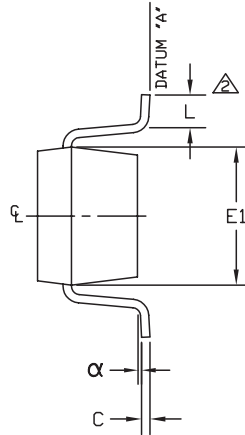
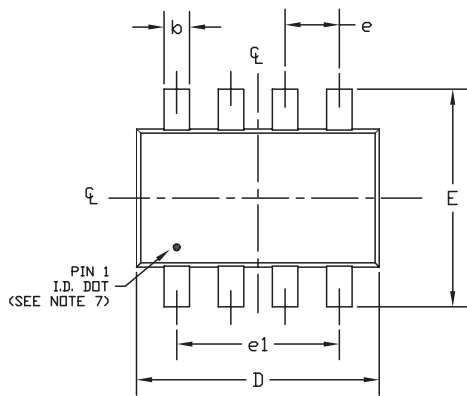
## Chip Information

TRANSISTOR COUNT: 236

PROCESS: Bipolar

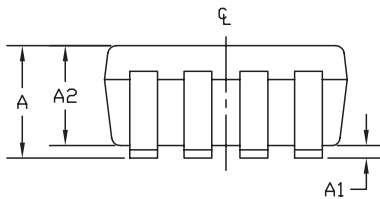
# Differential LVPECL-to-LVDS Translators

## Package Information



SYMBOL	MIN	MAX
A	0.90	1.45
A1	0.00	0.15
A2	0.90	1.30
b	0.28	0.45
C	0.09	0.20
D	2.80	3.00
E	2.60	3.00
E1	1.50	1.75
L	0.10	0.60
e	0.65 ref	
e1	1.95 ref	
α	0°	10°

SOT23-8LEPS



**NOTE:**

1. ALL DIMENSIONS ARE IN MILLIMETERS.
2. FOOT LENGTH MEASURED REFERENCE TO FLAT FOOT SURFACE PARALLEL TO DATUM "A".
3. PACKAGE OUTLINE EXCLUSIVE OF MOLD FLASH & METAL BURR.
4. PACKAGE OUTLINE INCLUSIVE OF SOLDER PLATING.
5. EIAJ REF. NUMBER SC-74 (6 LEAD VERSION)
6. COPLANARITY 4 MILS. MAX.
7. PIN 1 I.D. DOT IS 0.3 MM Ø MIN. LOCATED ABOVE PIN 1.
8. MEETS JEDEC MO178.

<b>MAXIM</b>		
<small>PROPRIETARY INFORMATION</small>		
<small>TITLE:</small>		
PACKAGE OUTLINE, SOT-23, 8L		
<small>APPROVAL</small>	<small>DOCUMENT CONTROL NO.</small>	<small>REV</small>
	21-0078	C 1/1

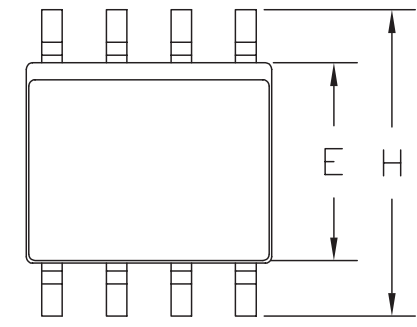


# Differential LVPECL-to-LVDS Translators

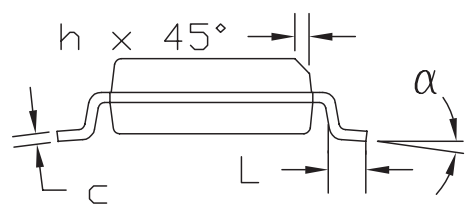
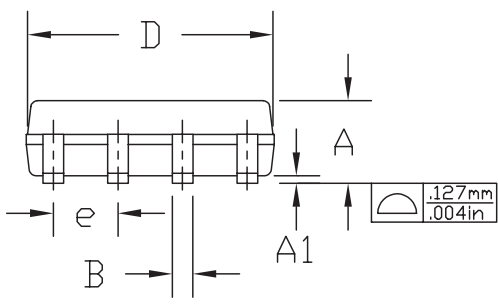
## Package Information (continued)

MAX9374/MAX9374A

9LUCSP, 3x3.EPS



DIM	INCHES		MILLIMETERS	
	MIN	MAX	MIN	MAX
A	0.053	0.069	1.35	1.75
A1	0.004	0.010	0.10	0.25
B	0.014	0.019	0.35	0.49
C	0.007	0.010	0.19	0.25
D	0.189	0.197	4.80	5.00
e	0.050	BSC	1.27	BSC
E	0.150	0.157	3.80	4.00
H	0.228	0.244	5.80	6.20
h	0.010	0.020	0.25	0.50
L	0.016	0.050	0.40	1.27
$\alpha$	0?	8?	0?	8?



**NOTES:**

1. D&E DO NOT INCLUDE MOLD FLASH.
2. MOLD FLASH OR PROTRUSIONS NOT TO EXCEED .15mm (.006")
3. CONTROLLING DIMENSION: MILLIMETER
4. MEETS JEDEC MS-012 AA.

<b>MAXIM</b>		
<small>PROPRIETARY INFORMATION</small>		
TITLE 8L SOIC OUTLINE		
APPROVAL	DWG	REV
	21-0325	A 1/1

Maxim cannot assume responsibility for use of any circuitry other than circuitry entirely embodied in a Maxim product. No circuit patent licenses are implied. Maxim reserves the right to change the circuitry and specifications without notice at any time.

**Maxim Integrated Products, 120 San Gabriel Drive, Sunnyvale, CA 94086 408-737-7600** \_\_\_\_\_ **9**