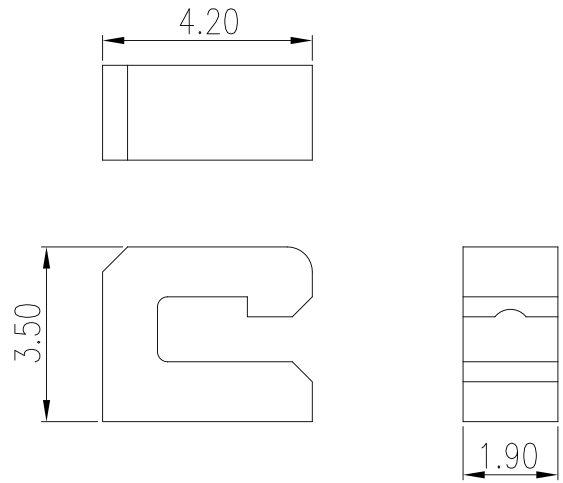
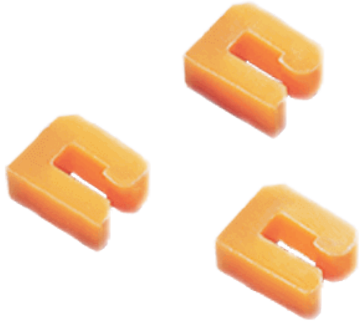


EHDK1



PCB Terminal Blocks > Accessories > Keycode



Specification

Product description	Keycode
Color	Orange
Material	PA
Inflammability class	UL94-V0
Compatible products	EHD series
Package	5000 pcs / box

Illustration

