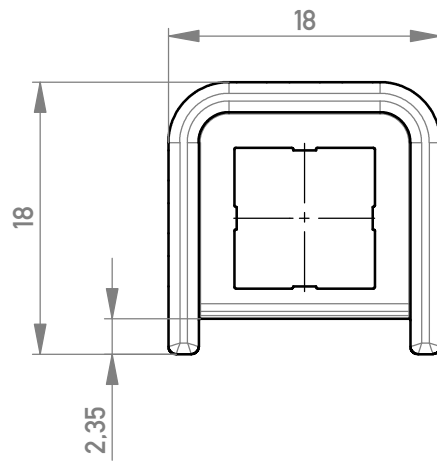
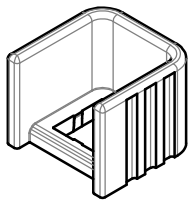
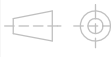


M 1:1 / scale 1:1



Verwendung mit PowerElement 225676, 225677.
 Usage with Power Element 225676, 225677.

Copyright by ERNI Production GmbH & Co. KG
 Proprietary notice pursuant to ISO 16016 to be observed.

Information:		Tolerances	 All Dimensions in mm	Scale 2:1
All rights reserved. Only for Information. To ensure that this is the latest version of this drawing, please contact one of the ERNI companies before using.		Subject to modification without prior notice. Drawing will not be updated.		Designation Twisted and Contact Protection for Male PowerElements
b	12.12.2018	 www.ERNI.com	225795	
Index	Date		Class POWELM	I A4