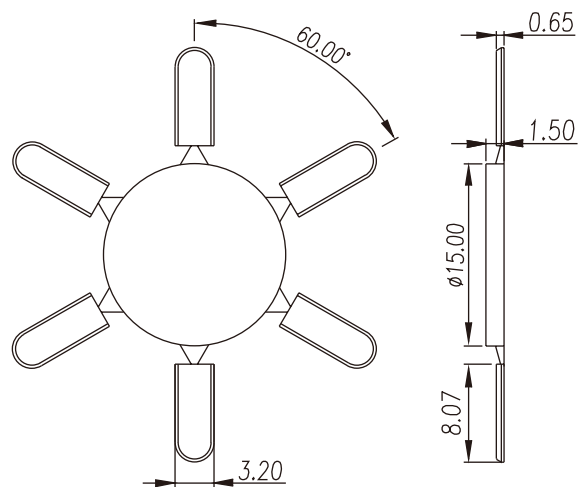
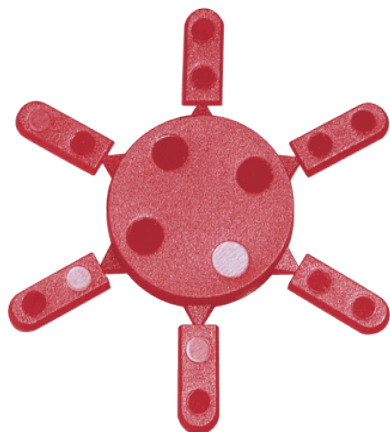


ESDK2



PCB Terminal Blocks > Accessories > Keycode



Specification

Product description	Keycode
Color	Red
Material	PA
Inflammability class	UL94-V0
Compatible products	ESD series
Package	3000 pcs/box

Illustration

