



Features

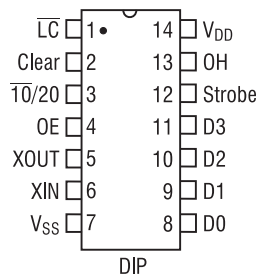
- Time-guarded dial pulse counting
- 10 or 20 PPS dialing speeds pin selectable
- Tri-state data outputs
- Valid data output strobe
- Data strobe control for use in interrupt-driven environments
- Independent hook status monitoring
- Low-power CMOS construction

Description

The M-959 is a low-power dial pulse counter and hook status monitor. Contained in a 14-pin package, the M-959 requires no external components except a single 3.579 MHz television color burst crystal.

The M-959 is typically connected to a loop current sensing circuit, which is connected in series with the voice pair (Tip and Ring) of a telephone line. The M-959 receives pulses from the loop current sense circuit and translates them into logic level outputs indicating hook status and decoded dialed digits. Logic inputs to the M-959 select dialed digit speeds and control Data and Strobe outputs supporting bus interrupt driven implementations.

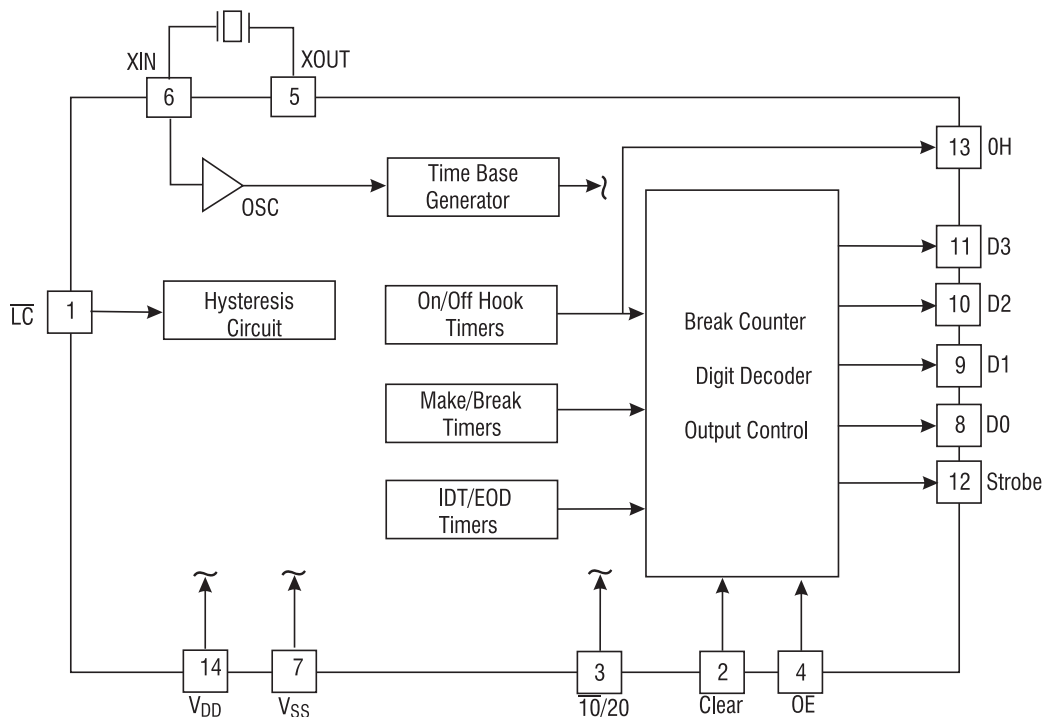
Pin Diagram



Ordering Information

Part #	Description
M-959	14-pin plastic DIP

Block Diagram



**Absolute Maximum Ratings**

DC Supply Voltage	6.0 V
Any Input Voltage Relative to V_{DD}	+0.3 V
Any Input Voltage Relative to V_{SS}	-0.3 V
Operating Temperature Range	-40°C to +85°C
Storage Temperature Range	-55°C to +125°C

* Exceeding these ratings may permanently damage the M-959.

Absolute Maximum Ratings are stress ratings. Stresses in excess of these ratings can cause permanent damage to the device. Functional operation of the device at these or any other conditions beyond those indicated in the operational sections of this data sheet is not implied. Exposure of the device to the absolute maximum ratings for an extended period may degrade the device and effect its reliability.

Specifications

$V_{DD} - V_{SS} = 2.5$ through 6.0 V unless otherwise noted.

	Parameter	Conditions	Min	Typ	Max	Units	Notes
Signal Timing	Break Recognition	10 PPS	45	–	85	ms	
		20 PPS	30	–	40	ms	
	Spurious Break Rejection	–	0	–	10	ms	
	Make Recognition	10 PPS	30	–	65	ms	
		20 PPS	15	–	24	ms	
	Interdigit Time (IDT)	10 PPS	285	300	315	ms	
		20 PPS	142.5	150	157.5	ms	
	Off-hook Delay	–	95	100	105	ms	
	On-hook Delay	–	285	300	315	ms	
	LC Hysteresis	–	1	1.5	2	ms	
	EOD (End of Digit) Recognition	10 PPS	95	100	105	ms	
		20 PPS	47.5	50	52.5	ms	
	STROBE Active	10 PPS	190	200	210	ms	
20 PPS		95	100	105	ms		
Data Change Before	–	1.0	1.5	2.0	ms		
Logic Input Requirements	Input Voltages	Logic 0	0.0	2.25	1.5	V	1, 2
		Logic 1	3.5	2.75	5.0	V	1,3
	Input Current	–	–	–	± 30	µA	
Pull Up/Down Resistance	–	–	–	2.0	mA		
Logic Output Characteristics	Output Voltages	Logic 0	0.0	–	0.5	V	1, 4
		Logic 1	4.5	–	5.0	V	1, 3
	Output Currents	$V_{out} = 2.5V$	-2.1	-4.2	–	mA	1
		$V_{out} = 4.6V$	-0.44	-0.88	–	mA	1
		$V_{out} = 0.4V$	0.44	0.88	–	mA	1
Tri-State Leakage	–	–	–	± 1.0	µA		
Power Requirement	Supply Current	–	–	–	2.0	mA	

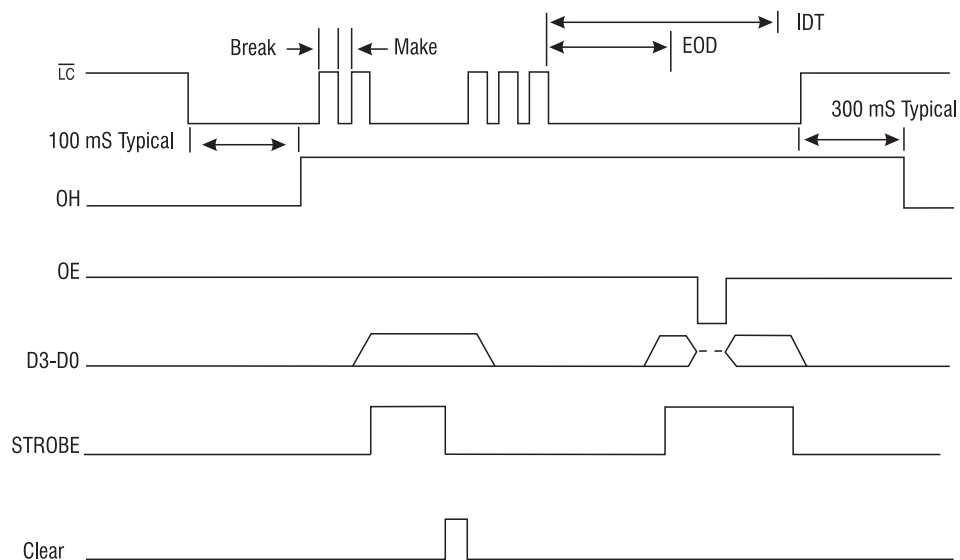
Notes:

1. $V_{DD} - V_{SS} = 5.0V$
2. Maximum is 30% of $V_{DD} - V_{SS}$
3. Minimum is 70% of $V_{DD} - V_{SS}$
4. No load.
5. Typical column for reference only.

Pin Functions

Pin	Function
$\overline{\text{LC}}$	Loop Current Input. Signal from phone line to be monitored for dial pulse signaling and hook status. Active low, internally pulled high.
OH	Off-hook Output. Hook status of phone line. Active (off-hook) high.
$\overline{10}/20$	Pulse Speed Input. Low for 10 pulse per second, high for 20 pulse per second. Internally pulled low.
D3-D0	Data Outputs. Binary decoded rotary dialed digit. Active during valid digit time (strobe high), low at any other time.
	Digit Dialed D3 D2 D1 D0
	1 0 0 0 1
	2 0 0 1 0
	3 0 0 1 1
	4 0 1 0 0
	5 0 1 0 1
	6 0 1 1 0
	7 0 1 1 1
	8 1 0 0 0
	9 1 0 0 1
	0 1 0 1 0
OE	Output Enable Input. Active high, a log low tri-states D3 through D0 outputs. Internally pulled high.
XIN	Crystal Oscillator Input
XOUT	Crystal Oscillator Output.
Clear	Strobe Control Input. Momentary high during digit valid time resets STROBE latch output low until next valid digit is received. Internally pulled low.
Strobe	Digit Valid Output. Indicates valid digit data present on D3 through D0. Active high.

Timing Diagram

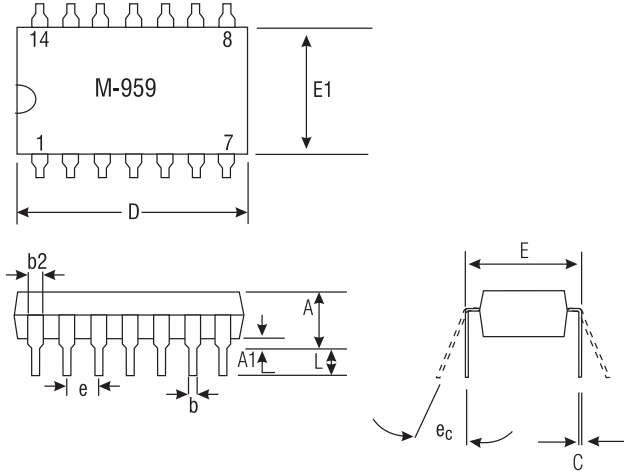




M-959

Mechanical Dimensions

14-Pin DIP



Drawing not to scale.
Does not reflect actual part marking.

Tolerances				
	Inches		Metric (mm)	
	Min	Max	Min	Max
A		.210		5.33
A1	.015		.38	
b	.014	.022	.36	.56
b2	.045	.070	1.14	1.78
C	.008	.014	.20	.36
D	.735	.775	18.67	19.70
E	.300	.325	7.62	8.26
E1	.240	.280	6.10	7.1
e	100 BSC		2.54 BSC	
ec	0°	15°	0°	15°
L	.115	.150	2.92	3.81

Dimensions
mm
(inches)



CLARE LOCATIONS

Clare Headquarters
78 Cherry Hill Drive
Beverly, MA 01915
Tel: 1-978-524-6700
Fax: 1-978-524-4900
Toll Free: 1-800-27-CLARE

Clare Switch Division
4315 N. Earth City Expressway
Earth City, MO 63045
Tel: 1-314-770-1832
Fax: 1-314-770-1812

Clare Micronix Division
145 Columbia
Aliso Viejo, CA 92656-1490
Tel: 1-949-831-4622
Fax: 1-949-831-4628

SALES OFFICES

AMERICAS

Americas Headquarters

Clare
78 Cherry Hill Drive
Beverly, MA 01915
Tel: 1-978-524-6700
Fax: 1-978-524-4900
Toll Free: 1-800-27-CLARE

Eastern Region

Clare
603 Apache Court
Mahwah, NJ 07430
Tel: 1-201-236-0101
Fax: 1-201-236-8685
Toll Free: 1-800-27-CLARE

Central Region

Clare Canada Ltd.
3425 Harvester Road, Suite 202
Burlington, Ontario L7N 3N1
Tel: 1-905-333-9066
Fax: 1-905-333-1824

Western Region

Clare
1852 West 11th Street, #348
Tracy, CA 95376
Tel: 1-209-832-4367
Fax: 1-209-832-4732
Toll Free: 1-800-27-CLARE

Canada

Clare Canada Ltd.
3425 Harvester Road, Suite 202
Burlington, Ontario L7N 3N1
Tel: 1-905-333-9066
Fax: 1-905-333-1824

EUROPE

European Headquarters

CP Clare nv
Bampslaan 17
B-3500 Hasselt (Belgium)
Tel: 32-11-300868
Fax: 32-11-300890

France

Clare France Sales
Lead Rep
99 route de Versailles
91160 Champlan
France
Tel: 33 1 69 79 93 50
Fax: 33 1 69 79 93 59

Germany

Clare Germany Sales
ActiveComp Electronic GmbH
Mitterstrasse 12
85077 Manching
Germany
Tel: 49 8459 3214 10
Fax: 49 8459 3214 29

Italy

C.L.A.R.E.s.a.s.
Via C. Colombo 10/A
I-20066 Melzo (Milano)
Tel: 39-02-95737160
Fax: 39-02-95738829

Sweden

Clare Sales
Comptronic AB
Box 167
S-16329 Spånga
Tel: 46-862-10370
Fax: 46-862-10371

United Kingdom

Clare UK Sales
Marco Polo House
Cook Way
Bindon Road
Taunton
UK-Somerset TA2 6BG
Tel: 44-1-823 352541
Fax: 44-1-823 352797

ASIA/PACIFIC

Asian Headquarters

Clare
Room N1016, Chia-Hsin, Bldg II,
10F, No. 96, Sec. 2
Chung Shan North Road
Taipei, Taiwan R.O.C.
Tel: 886-2-2523-6368
Fax: 886-2-2523-6369

<http://www.clare.com>

Clare, Inc. makes no representations or warranties with respect to the accuracy or completeness of the contents of this publication and reserves the right to make changes to specifications and product descriptions at any time without notice. Neither circuit patent licenses nor indemnity are expressed or implied. Except as set forth in Clare's Standard Terms and Conditions of Sale, Clare, Inc. assumes no liability whatsoever, and disclaims any express or implied warranty, relating to its products including, but not limited to, the implied warranty of merchantability, fitness for a particular purpose, or infringement of any intellectual property right.

The products described in this document are not designed, intended, authorized or warranted for use as components in systems intended for surgical implant into the body, or in other applications intended to support or sustain life, or where malfunction of Clare's product may result in direct physical harm, injury, or death to a person or severe property or environmental damage. Clare, Inc. reserves the right to discontinue or make changes to its products at any time without notice.

Specification: DS-M959-R3
©Copyright 2001, Clare, Inc.
All rights reserved. Printed in USA.
7/20/01