

VSC7442-02, VSC7444-02, VSC7448-02, and VSC7449-02
Datasheet
Family of L2/L3 Enterprise Gigabit Ethernet Switches
with 10 Gbps Links



a  MICROCHIP company



a  MICROCHIP company

Microsemi Headquarters

One Enterprise, Aliso Viejo,
CA 92656 USA

Within the USA: +1 (800) 713-4113

Outside the USA: +1 (949) 380-6100

Sales: +1 (949) 380-6136

Fax: +1 (949) 215-4996

Email: sales.support@microsemi.com

www.microsemi.com

©2018 Microsemi, a wholly owned subsidiary of Microchip Technology Inc. All rights reserved. Microsemi and the Microsemi logo are registered trademarks of Microsemi Corporation. All other trademarks and service marks are the property of their respective owners.

Microsemi makes no warranty, representation, or guarantee regarding the information contained herein or the suitability of its products and services for any particular purpose, nor does Microsemi assume any liability whatsoever arising out of the application or use of any product or circuit. The products sold hereunder and any other products sold by Microsemi have been subject to limited testing and should not be used in conjunction with mission-critical equipment or applications. Any performance specifications are believed to be reliable but are not verified, and Buyer must conduct and complete all performance and other testing of the products, alone and together with, or installed in, any end-products. Buyer shall not rely on any data and performance specifications or parameters provided by Microsemi. It is the Buyer's responsibility to independently determine suitability of any products and to test and verify the same. The information provided by Microsemi hereunder is provided "as is, where is" and with all faults, and the entire risk associated with such information is entirely with the Buyer. Microsemi does not grant, explicitly or implicitly, to any party any patent rights, licenses, or any other IP rights, whether with regard to such information itself or anything described by such information. Information provided in this document is proprietary to Microsemi, and Microsemi reserves the right to make any changes to the information in this document or to any products and services at any time without notice.

About Microsemi

Microsemi, a wholly owned subsidiary of Microchip Technology Inc. (Nasdaq: MCHP), offers a comprehensive portfolio of semiconductor and system solutions for aerospace & defense, communications, data center and industrial markets. Products include high-performance and radiation-hardened analog mixed-signal integrated circuits, FPGAs, SoCs and ASICs; power management products; timing and synchronization devices and precise time solutions, setting the world's standard for time; voice processing devices; RF solutions; discrete components; enterprise storage and communication solutions, security technologies and scalable anti-tamper products; Ethernet solutions; Power-over-Ethernet ICs and midspans; as well as custom design capabilities and services. Learn more at www.microsemi.com.

Contents

1	Revision History	1
1.1	Revision 4.1	1
1.2	Revision 4.0	1
2	Product Overview	2
2.1	General Features	2
2.2	Layer 2 and Layer 3 Forwarding	2
2.3	Timing and Synchronization	3
2.4	Quality of Service	3
2.5	Security	3
2.6	Management	3
2.7	Product Parameters	4
2.8	Applications	5
2.9	Functional Overview	5
2.9.1	Frame Arrival in Ports and Port Modules	6
2.9.2	Basic Classification	7
2.9.3	Security and Control Protocol Classification	8
2.9.4	Policing	8
2.9.5	Layer 2 Forwarding	8
2.9.6	Layer 3 Forwarding	9
2.9.7	Shared Queue System and Hierarchical Scheduler	10
2.9.8	Rewriter and Frame Departure	11
2.9.9	CPU Port Module	11
2.9.10	Synchronous Ethernet and Precision Time Protocol (PTP)	12
3	Functional Descriptions	13
3.1	Register Notations	14
3.2	Frame Headers	14
3.2.1	Internal Frame Header Placement	15
3.2.2	Internal Frame Header Layout	15
3.2.3	VStaX Header	21
3.3	Port Numbering and Mappings	25
3.3.1	SERDES Macro to I/O Pin Mapping	27
3.3.2	Supported Port Interfaces	27
3.3.3	QSGMII	28
3.3.4	10G Modes	30
3.3.5	VSC7442-02 Port Numbering and Port Mappings	32
3.3.6	VSC7444-02 Port Numbering and Port Mappings	33
3.3.7	VSC7448-02 Port Numbering and Port Mappings	33
3.3.8	VSC7449-02 Port Numbering and Port Mappings	34
3.3.9	Logical Port Numbers	35
3.4	SERDES1G	35
3.5	SERDES6G	35
3.6	SERDES10G	36
3.7	DEV1G and DEV2G5 Port Modules	36
3.7.1	MAC	36
3.7.2	Half-Duplex Mode	38
3.7.3	Physical Coding Sublayer (PCS)	39
3.7.4	Port Statistics	42
3.8	DEV10G Port Module	42

3.8.1	MAC	42
3.8.2	Physical Coding Sublayer (PCS)	45
3.8.3	Port Statistics	50
3.9	Assembler	52
3.9.1	Setting Up a Port in the Assembler	52
3.9.2	Setting Up a Port for Frame Injection	53
3.9.3	Setting Up MAC Control Sublayer PAUSE Frame Detection	54
3.9.4	Setting Up PFC	54
3.9.5	Setting Up Assembler Port Statistics	55
3.9.6	Setting Up the Loopback Path	55
3.10	Versatile Content-Aware Processor (VCAP™)	56
3.10.1	Configuring VCAP	56
3.10.2	Wide VCAP Entries and Actions	59
3.10.3	Individual VCAPs	61
3.10.4	VCAP Programming Examples	66
3.11	Pipeline Points	69
3.11.1	Pipeline Definitions	70
3.12	Analyzer	72
3.12.1	Initializing the Analyzer	73
3.13	VCAP CLM Keys and Actions	73
3.13.1	Keys Overview	73
3.13.2	VCAP CLM X1 Key Details	76
3.13.3	VCAP CLM X2 Key Details	77
3.13.4	VCAP CLM X4 Key Details	80
3.13.5	VCAP CLM X8 Key Details	83
3.13.6	VCAP CLM X16 Key Details	89
3.13.7	VCAP CLM Actions	93
3.14	Analyzer Classifier	100
3.14.1	Basic Classifier	100
3.14.2	VCAP CLM Processing	112
3.14.3	QoS Mapping Table	119
3.14.4	Analyzer Classifier Diagnostics	121
3.15	VLAN and MSTP	122
3.15.1	Private VLAN	123
3.15.2	VLAN Pseudo Code	123
3.16	VCAP LPM: Keys and Action	128
3.16.1	VCAP LPM SGL_IP4 Key Details	129
3.16.2	VCAP LPM DBL_IP4 Key Details	129
3.16.3	VCAP LPM SGL_IP6 Key Details	129
3.16.4	VCAP LPM DBL_IP6 Key Details	129
3.16.5	VCAP LPM Actions	130
3.17	IP Processing	131
3.17.1	IP Source/Destination Guard	131
3.17.2	IP Routing	133
3.17.3	Frame Types for IP Routing	133
3.17.4	Statistics	145
3.17.5	IGMP/MLD Snooping Switch	147
3.18	VCAP IS2 Keys and Actions	147
3.18.1	VCAP IS2 Keys	148
3.18.2	VCAP IS2 Actions	153
3.19	Analyzer Access Control Lists	158
3.19.1	VCAP IS2	159
3.19.2	Analyzer Access Control List Frame Rewriting	165
3.20	Analyzer Layer 2 Forwarding and Learning	168
3.20.1	Analyzer MAC Table	168
3.20.2	MAC Table Updates	170

3.20.3	CPU Access to MAC Table	170
3.20.4	SCAN Command	174
3.20.5	Forwarding Lookups	176
3.20.6	Source Check and Automated Learning	177
3.20.7	Automated Aging (AUTOAGE)	181
3.20.8	Interrupt Handling	182
3.21	Analyzer Access Control Forwarding, Policing, and Statistics	183
3.21.1	Mask Handling	183
3.21.2	Policing	188
3.21.3	Analyzer Statistics	197
3.21.4	Analyzer sFlow Sampling	204
3.21.5	Mirroring	205
3.22	Shared Queue System and Hierarchical Scheduler	207
3.22.1	Analyzer Result	209
3.22.2	Buffer Control	210
3.22.3	Forwarding	210
3.22.4	Congestion Control	213
3.22.5	Queue Mapping	219
3.22.6	Queue Congestion Control	223
3.22.7	Scheduling	224
3.22.8	Queue System Initialization	228
3.22.9	Miscellaneous Features	228
3.23	Automatic Frame Injector	232
3.23.1	Injection Tables	232
3.23.2	Frame Table	233
3.23.3	Delay Triggered Injection	234
3.23.4	Timer Triggered Injection	238
3.23.5	Injection Queues	244
3.23.6	Adding Injection Frame	244
3.23.7	Starting Injection	245
3.23.8	Stopping Injection	245
3.23.9	Removing Injection Frames	245
3.23.10	Port Parameters	245
3.24	Rewriter	246
3.24.1	Rewriter Operation	246
3.24.2	Supported Ports	246
3.24.3	Supported Frame Formats	247
3.24.4	Rewriter Initialization	247
3.24.5	VCAP_ES0 Lookup	247
3.24.6	Mapping Tables	258
3.24.7	VLAN Editing	260
3.24.8	DSCP Remarking	265
3.24.9	VStaX Header Insertion	266
3.24.10	Forwarding to GCPU	266
3.24.11	Layer 3 Routing	268
3.24.12	Mirror Frames	268
3.24.13	Internal Frame Header Insertion	269
3.24.14	Frame Injection from Internal CPU	270
3.25	Disassembler	271
3.25.1	Setting Up Ports	271
3.25.2	Maintaining the Cell Buffer	271
3.25.3	Setting Up MAC Control Sublayer PAUSE Function	272
3.25.4	Setting up Flow Control in Half-Duplex Mode	273
3.25.5	Setting Up Frame Aging	273
3.25.6	Setting Up Transmit Data Rate Limiting	274
3.25.7	Error Detection	276
3.26	Layer 1 Timing	276

3.27	Hardware Time Stamping	280
3.27.1	One-Step Functions	283
3.27.2	Calculation Overview	284
3.27.3	Detecting Calculation Issues	284
3.27.4	Two-Step Functions	284
3.27.5	Time of Day Time Stamping	285
3.27.6	Time of Day Generation	285
3.27.7	Multiple PTP Time Domains	287
3.27.8	Register Interface to 1588 Functions	287
3.27.9	Configuring I/O Delays	289
3.28	VRAP Engine	289
3.28.1	VRAP Request Frame Format	290
3.28.2	VRAP Response Frame Format	291
3.28.3	VRAP Header Format	291
3.28.4	VRAP READ Command	291
3.28.5	VRAP READ-MODIFY-WRITE Command	292
3.28.6	VRAP IDLE Command	292
3.28.7	VRAP PAUSE Command	292
3.29	Energy Efficient Ethernet	293
3.30	CPU Injection and Extraction	294
3.30.1	Frame Injection	294
3.30.2	Frame Extraction	295
3.30.3	Forwarding to CPU	295
3.30.4	Automatic Frame Injection (AFI)	295
3.31	Priority-Based Flow Control (PFC)	295
3.31.1	PFC Pause Frame Generation	296
3.31.2	PFC Frame Reception	297
3.32	Protection Switching	297
3.32.1	Ethernet Ring Protection Switching	297
3.32.2	Link Aggregation	300
3.32.3	Port Protection Switching	300
3.33	High-Speed Mode	301
3.33.1	One-Time Configurations for High-Speed Mode	301
3.34	Clocking and Reset	301
3.34.1	Pin Strapping	302
4	Registers	304
5	VCore-III System and CPU Interfaces	305
5.1	VCore-III Configurations	306
5.2	Clocking and Reset	307
5.2.1	Watchdog Timer	307
5.3	Shared Bus	308
5.3.1	VCore-III Shared Bus Arbitration	310
5.3.2	Chip Register Region	310
5.3.3	SI Flash Region	311
5.3.4	DDR3/DDR3L Region	312
5.3.5	PCIe Region	312
5.4	VCore-III CPU	312
5.4.1	Little Endian and Big Endian Support	312
5.4.2	Software Debug and Development	312
5.5	External CPU Support	312
5.5.1	Register Access and Multimaster Systems	313
5.5.2	Serial Interface in Slave Mode	313
5.5.3	MIIM Interface in Slave Mode	316
5.5.4	Access to the VCore Shared Bus	318

5.5.5	Mailbox and Semaphores	319
5.6	PCIe Endpoint Controller	320
5.6.1	Accessing Endpoint Registers	320
5.6.2	Enabling the Endpoint	320
5.6.3	Base Address Registers Inbound Requests	322
5.6.4	Outbound Interrupts	322
5.6.5	Outbound Access	323
5.6.6	Power Management	325
5.6.7	Device Reset Using PCIe	326
5.7	Frame DMA	326
5.7.1	DMA Control Block Structures	327
5.7.2	Enabling and Disabling FDMA Channels	328
5.7.3	Channel Counters	329
5.7.4	FDMA Events and Interrupts	330
5.7.5	FDMA Extraction	331
5.7.6	FDMA Injection	331
5.7.7	Manual Mode	332
5.8	VCore-III System Peripherals	334
5.8.1	SI Boot Controller	334
5.8.2	SI Master Controller	336
5.8.3	DDR3/DDR3L Memory Controller	341
5.8.4	Timers	346
5.8.5	UARTs	347
5.8.6	Two-Wire Serial Interface	349
5.8.7	MII Management Controller	351
5.8.8	GPIO Controller	353
5.8.9	Serial GPIO Controller	357
5.8.10	Fan Controller	362
5.8.11	Temperature Sensor	364
5.8.12	Memory Integrity Monitor	364
5.8.13	Interrupt Controller	367
6	Electrical Specifications	373
6.1	DC Characteristics	373
6.1.1	Internal Pull-Up or Pull-Down Resistors	373
6.1.2	Reference Clock	373
6.1.3	Clock Output	373
6.1.4	DDR3/DDR3L SDRAM Interface	374
6.1.5	SERDES1G	375
6.1.6	SERDES6G	375
6.1.7	SERDES10G	376
6.1.8	GPIO, SI, JTAG, and Miscellaneous Signals	377
6.1.9	MII Management	378
6.1.10	Recovered Clock Output	378
6.1.11	Thermal Diode	379
6.2	AC Characteristics	379
6.2.1	Reference Clock	379
6.2.2	Clock Output	382
6.2.3	SERDES1G	382
6.2.4	SERDES6G	384
6.2.5	SERDES10G	390
6.2.6	Reset Timing	395
6.2.7	MII Management	395
6.2.8	Serial Interface (SI) Boot Master Mode	396
6.2.9	Serial Interface (SI) Master Mode	397
6.2.10	Serial Interface (SI) for Slave Mode	398
6.2.11	DDR SDRAM Interface	399
6.2.12	JTAG Interface	401

6.2.13	Serial Inputs/Outputs	403
6.2.14	Recovered Clock Outputs	403
6.2.15	Two-Wire Serial Interface	404
6.2.16	IEEE 1588 Time Tick Outputs	405
6.3	Current and Power Consumption	406
6.3.1	Current Consumption	406
6.3.2	Power Consumption	408
6.3.3	Power Supply Sequencing	409
6.4	Operating Conditions	409
6.5	Stress Ratings	410
7	Pin Descriptions for VSC7442-02	411
7.1	Pin Diagram for VSC7442-02	411
7.2	Pins by Function for VSC7442-02	412
7.2.1	DDR SDRAM Interface	413
7.2.2	General-Purpose Inputs and Outputs	414
7.2.3	JTAG Interface	414
7.2.4	MII Management Interface	414
7.2.5	Miscellaneous	415
7.2.6	PCI Express Interface	415
7.2.7	Power Supplies and Ground	416
7.2.8	SERDES1G	416
7.2.9	SERDES6G	416
7.2.10	SERDES10G	418
7.2.11	Serial CPU Interface	418
7.2.12	System Clock Interface	418
7.3	Pins by Number for VSC7442-02	420
7.4	Pins by Name for VSC7442-02	426
8	Pin Descriptions for VSC7444-02	432
8.1	Pin Diagram for VSC7444-02	432
8.2	Pins by Function for VSC7444-02	433
8.2.1	DDR SDRAM Interface	434
8.2.2	General-Purpose Inputs and Outputs	435
8.2.3	JTAG Interface	435
8.2.4	MII Management Interface	435
8.2.5	Miscellaneous	436
8.2.6	PCI Express Interface	436
8.2.7	Power Supplies and Ground	436
8.2.8	SERDES1G	437
8.2.9	SERDES6G	437
8.2.10	SERDES10G	439
8.2.11	Serial CPU Interface	439
8.2.12	System Clock Interface	440
8.3	Pins by Number for VSC7444-02	442
8.4	Pins by Name for VSC7444-02	448
9	Pin Descriptions for VSC7448-02	454
9.1	Pin Diagram for VSC7448-02	454
9.2	Pins by Function for VSC7448-02	455
9.2.1	DDR SDRAM Interface	456
9.2.2	General-Purpose Inputs and Outputs	457
9.2.3	JTAG Interface	457
9.2.4	MII Management Interface	457
9.2.5	Miscellaneous	458
9.2.6	PCI Express Interface	458

9.2.7	Power Supplies and Ground	458
9.2.8	SERDES1G	459
9.2.9	SERDES6G	459
9.2.10	SERDES10G	461
9.2.11	Serial CPU Interface	461
9.2.12	System Clock Interface	462
9.3	Pins by Number for VSC7448-02	463
9.4	Pins by Name for VSC7448-02	469
10	Pin Descriptions for VSC7449-02	475
10.1	Pin Diagram for VSC7449-02	475
10.2	Pins by Function for VSC7449-02	476
10.2.1	DDR SDRAM Interface	477
10.2.2	General-Purpose Inputs and Outputs	478
10.2.3	JTAG Interface	478
10.2.4	MII Management Interface	478
10.2.5	Miscellaneous	479
10.2.6	PCI Express Interface	479
10.2.7	Power Supplies and Ground	479
10.2.8	SERDES1G	480
10.2.9	SERDES6G	480
10.2.10	SERDES10G	482
10.2.11	Serial CPU Interface	482
10.2.12	System Clock Interface	483
10.3	Pins by Number for VSC7449-02	484
10.4	Pins by Name for VSC7449-02	490
11	Package Information	496
11.1	Package Drawing	496
11.2	Thermal Specifications	497
11.3	Moisture Sensitivity	498
12	Design Guidelines	499
12.1	Reference Clock	499
12.1.1	Single-Ended REFCLK Input	499
13	Design Considerations	500
14	Ordering Information	501

Figures

Figure 1	VSC7448-02 Block Diagram	6
Figure 2	Default Scheduler-Shaper Configuration	10
Figure 3	Physical Block Diagram	14
Figure 4	Frame with Internal Frame Header	15
Figure 5	Internal Frame Header	16
Figure 6	Frame With VStaX Header	21
Figure 7	VStaX Header Layout	22
Figure 8	QSGMII Muxing	29
Figure 9	10G Muxing	31
Figure 10	Frame Injection Formats	53
Figure 11	VCAP Cache Layout Example	57
Figure 12	VCAP Cache Type-Group Example	60
Figure 13	Processing Flow	70
Figure 14	VLAN Acceptance Filter	103
Figure 15	Basic QoS Classification Flow Chart	105
Figure 16	Basic DP Classification Flow Chart	106
Figure 17	Basic DSCP Classification Flow Chart	107
Figure 18	Basic VLAN Classification Flow Chart	109
Figure 19	Example of QoS Mappings	121
Figure 20	VLAN Table Update Engine (TUPE)	127
Figure 21	Router Model	133
Figure 22	Unicast Routing Table Overview	134
Figure 23	Multicast Routing Table Overview	135
Figure 24	Ingress Router Leg Lookup Flow	136
Figure 25	Ingress Router Leg MAC Address Matching for Unicast Packets	136
Figure 26	IP Unicast Routing Example	139
Figure 27	ARP Pointer Remapping	141
Figure 28	IP Multicast Routing Example	143
Figure 29	MAC Table Organization	169
Figure 30	DMAC Lookup	177
Figure 31	Source Check	179
Figure 32	PGID Layout	184
Figure 33	PGID Lookup Decision Forwarding	185
Figure 34	GLAG Port of Exit Calculation	187
Figure 35	Port Mask Operation	188
Figure 36	Policer Hierarchy	190
Figure 37	Sticky Events Available as Global Events	198
Figure 38	Port Statistics Counters	198
Figure 39	Queue Statistics	200
Figure 40	BUM Policer Statistics	201
Figure 41	ACL Policer Statistics	202
Figure 42	Ingress and Egress Routing Statistics per Router Leg per IP Version	203
Figure 43	sFlow Stamp Format in FCS	205
Figure 44	Ingress Mirroring in Specific VLAN	207
Figure 45	Shared Queue System Block Diagram	208
Figure 46	Translation of Transmit Requests	212
Figure 47	Accounting Sheet Example	214
Figure 48	Reserved and Shared Resource Overview	214
Figure 49	Strict Priority Sharing	215
Figure 50	Per Priority Sharing	216
Figure 51	WRED Sharing	216
Figure 52	WRED Profiles	217
Figure 53	Scheduler Hierarchy (Normal Scheduling Mode)	219
Figure 54	Queue Mapping Tables	220

Figure 55	Group Scheduling Mode	221
Figure 56	Mobile Backhaul Mode	222
Figure 57	Drop Decision Flow	223
Figure 58	Queue Limitation Share	223
Figure 59	Default Scheduling Hierarchy	225
Figure 60	Scheduler	227
Figure 61	Internal Bus	231
Figure 62	Injection Tables	233
Figure 63	DTI Frame/Delay Sequence Example	235
Figure 64	Fine Tuning Bandwidth of DTI Sequence	236
Figure 65	Fine Tuning Bandwidth of Multiframe DTI Sequence	236
Figure 66	DTI Frame/Delay Sequence Using Inject Forever	237
Figure 67	DTI Concatenation	237
Figure 68	TTI Calendar Example	241
Figure 69	AFI TUPE	243
Figure 70	Frame Forward Options	255
Figure 71	Mapping Tables	259
Figure 72	VLAN Pushing	261
Figure 73	VLAN Tag Construction	263
Figure 74	Supported KEEP_IFH_SEL Formats	270
Figure 75	Supported Time Stamping Flows	280
Figure 76	Frame Flow	282
Figure 77	Time Stamp Bus and FIFO	285
Figure 78	Timing Distribution	286
Figure 79	VRAP Request Frame Format	290
Figure 80	VRAP Header Format	291
Figure 81	READ Command	291
Figure 82	WRITE Command	292
Figure 83	READ-MODIFY-WRITE Command	292
Figure 84	IDLE Command	292
Figure 85	PAUSE Command	292
Figure 86	EEE State Diagram	293
Figure 87	PFC Generation per Port	296
Figure 88	Ethernet Ring Protection Example	298
Figure 89	Ethernet Ring with Failure	299
Figure 90	VCore-III System Block Diagram	306
Figure 91	Shared Bus Memory Map	309
Figure 92	Chip Registers Memory Map	311
Figure 93	Write Sequence for SI	314
Figure 94	Read Sequence for SI_CLK Slow	315
Figure 95	Read Sequence for SI_CLK Pause	315
Figure 96	Read Sequence for One-Byte Padding	315
Figure 97	MIIM Slave Write Sequence	317
Figure 98	MIIM Slave Read Sequence	317
Figure 99	FDMA DCB Layout	328
Figure 100	FDMA Channel States	329
Figure 101	FDMA Channel Interrupt Hierarchy	331
Figure 102	Extraction Status Word Encoding	333
Figure 103	Injection Status Word Encoding	334
Figure 104	SI Boot Controller Memory Map in 24-Bit Mode	335
Figure 105	SI Boot Controller Memory Map in 32-Bit Mode	335
Figure 106	SI Read Timing in Normal Mode	336
Figure 107	SI Read Timing in Fast Mode	336
Figure 108	SIMC SPI Clock Configurations	339
Figure 109	SIMC SPI 3x Transfers	339
Figure 110	Memory Controller ODT Hookup	344
Figure 111	UART Timing	348
Figure 112	Two-Wire Serial Interface Timing for 7-Bit Address Access	350
Figure 113	MII Management Timing	352

Figure 114	SIO Timing	358
Figure 115	SIO Timing with SGPIOs Disabled	359
Figure 116	SGPIO Output Order	360
Figure 117	Link Activity Timing	362
Figure 118	Monitor State Diagram	365
Figure 119	Memory Detection Logic	366
Figure 120	Interrupt Source Logic	370
Figure 121	Interrupt Destination Logic	371
Figure 122	Port Module Interrupt Logic	371
Figure 123	Thermal Diode	379
Figure 124	REFCLK/REFCLK2 Jitter Transfer Curves	382
Figure 125	XAUI Output Compliance Mask	386
Figure 126	nRESET Signal Timing Specifications	395
Figure 127	MIIM Timing Diagram	396
Figure 128	SI Timing Diagram for Master Mode	397
Figure 129	SI Input Data Timing Diagram for Slave Mode	398
Figure 130	SI Output Data Timing Diagram for Slave Mode	398
Figure 131	SI_DO Disable Test Circuit	399
Figure 132	DDR SDRAM Input Timing Diagram	399
Figure 133	DDR SDRAM Output Timing Diagram	400
Figure 134	Test Load Circuit for DDR3 Outputs	401
Figure 135	JTAG Interface Timing Diagram	402
Figure 136	Test Circuit for TDO Disable Time	402
Figure 137	Serial I/O Timing Diagram	403
Figure 138	Test Circuit for Recovered Clock Output Signals	403
Figure 139	Two-Wire Serial Read Timing Diagram	404
Figure 140	Two-Wire Serial Write Timing Diagram	404
Figure 141	Pin Diagram for VSC7442-02, Top Left	411
Figure 142	Pin Diagram for VSC7442-02, Top Right	412
Figure 143	Pin Diagram for VSC7444-02, Top Left	432
Figure 144	Pin Diagram for VSC7444-02, Top Right	433
Figure 145	Pin Diagram for VSC7448-02, Top Left	454
Figure 146	Pin Diagram for VSC7448-02, Top Right	455
Figure 147	Pin Diagram for VSC7449-02, Top Left	475
Figure 148	Pin Diagram for VSC7449-02, Top Right	476
Figure 149	Package Drawing	497
Figure 150	2.5 V CMOS Single-Ended REFCLK Input Resistor Network	499
Figure 151	3.3 V CMOS Single-Ended REFCLK Input Resistor Network	499

Tables

Table 1	Product Parameters	4
Table 2	Feature Support by Switch Family	13
Table 3	Internal Frame Header Fields	17
Table 4	VStaX Header Fields	23
Table 5	Default Port Numbering and Port Mappings	25
Table 6	SERDES Macro to I/O Pin Mapping	27
Table 7	Supported Port Interfaces	27
Table 8	QSGMII Configurations	29
Table 9	10G Modes	31
Table 10	VSC7442-02 Port Numbering and Port Mappings	32
Table 11	VSC7444-02 Port Numbering and Port Mappings	33
Table 12	VSC7448-02 Port Numbering and Port Mappings	33
Table 13	VSC7449-02 Port Numbering and Port Mappings	34
Table 14	DEV1G and DEV2G5 MAC Configuration Registers Overview	37
Table 15	DEV1G and DEV2G5 Reset	37
Table 16	DEV1G and DEV2G5 Interrupt Sources Register Overview	37
Table 17	DEV1G and DEV2G5 Port Mode Configuration Registers Overview	38
Table 18	DEV1G and DEV2G5 PCS Configuration Registers Overview	39
Table 19	DEV1G and DEV2G5 PCS Test Pattern Configuration Registers	40
Table 20	DEV1G and DEV2G5 PCS EEE Configuration Registers Overview	41
Table 21	DEV1G and DEV2G5 100BASE-FX Configuration Registers Overview	41
Table 22	DEV10G Operation Modes	42
Table 23	DEV10G MAC Configuration Registers Overview	42
Table 24	DEV10G Reset Registers Overview	43
Table 25	DEV10G Interrupt Sources Registers Overview	43
Table 26	DEV10G BASE-R PCS Interrupt Sources Registers Overview	44
Table 27	DEV10G Port Mode Configuration Registers Overview	44
Table 28	DEV10G Port Module Advance Checks Configuration Registers	44
Table 29	DEV10G PCS Configuration Registers Overview	45
Table 30	DEV10G PCS Status Registers Overview	45
Table 31	DEV10G PCS Test Pattern Configuration Registers Overview	47
Table 32	DEV10G BASE-R PCS Test Pattern Configuration Registers Overview	48
Table 33	DEV10G PCS XAUI Extend Configuration Registers Overview	49
Table 34	DEV10G PCS EEE Configuration and Status Registers Overview	50
Table 35	DEV10G KR FEC Configuration and Status Registers Overview	50
Table 36	DEV10G Statistics Registers Overview	50
Table 37	Port Configuration Register Overview	52
Table 38	Port Status Register Overview	52
Table 39	Injection VLAN Register Overview	53
Table 40	PAUSE Frame Detection Configuration Register Overview	54
Table 41	PFC Configuration Register Overview	54
Table 42	Port Statistics Configuration Register Overview	55
Table 43	Loopback FIFO Configuration Register Overview	55
Table 44	Loopback FIFO Sticky-Bit Registers Overview	56
Table 45	VCAP_ES0 and VCAP_SUPER Registers	57
Table 46	Entry Bit Encoding	58
Table 47	VCAP CLM Parameters	61
Table 48	VCAP CLM Entry Type-Group Fields	61
Table 49	VCAP CLM Action Type-Group Fields	62
Table 50	VCAP CLM Entry/Action Bit Distribution	62
Table 51	VCAP CLM Default Rule Addresses	63
Table 52	VCAP IS2 Parameters	63
Table 53	VCAP IS2 Entry Type-Group Fields	63
Table 54	VCAP IS2 Entry/Action Bit Distribution	64

Table 55	VCAP LPM Parameters	65
Table 56	VCAP LPM Entry Type-Group Fields	65
Table 57	VCAP LPM Entry/Action Bit Distribution	65
Table 58	VCAP ES0 Parameters	66
Table 59	VCAP ES0 Entry/Action Bit Distribution	66
Table 60	CLM X2 Entry Type-Group and Distribution Summary	67
Table 61	CLM X4 Entry Type-Group and Distribution Summary	67
Table 62	Pipeline Definitions	70
Table 63	Pipeline Actions	72
Table 64	VCAP CLM Keys and Sizes	73
Table 65	VCAP CLM Key Overview	74
Table 66	VCAP CLM X1 Key Details	76
Table 67	VCAP CLM X2 Key Details	77
Table 68	VCAP CLM X4 Key Details	80
Table 69	VCAP CLM X8 Key Details	83
Table 70	VCAP CLM X16 Key Details	89
Table 71	VCAP CLM Action Selection	93
Table 72	VCAP CLM Actions	94
Table 73	VLAN Tag Extraction Register	101
Table 74	Routing Tag Control Register	101
Table 75	Frame Acceptance Filtering Registers	102
Table 76	QoS, DP, and DSCP Classification Registers	104
Table 77	VLAN Configuration Registers	107
Table 78	Aggregation Code Generation Registers	110
Table 79	CPU Forwarding Registers	110
Table 80	Frame Type Definitions for CPU Forwarding	111
Table 81	Port Configuration of VCAP CLM	112
Table 82	Miscellaneous VCAP CLM Key Configuration	117
Table 83	VCAP CLM Range Checker Configuration Registers Overview	118
Table 84	VCAP CLM QoS Mapping Table Registers Overview	119
Table 85	VLAN Table (5120 Entries)	122
Table 86	MSTP Table (66 Entries)	122
Table 87	Common VLAN and MSTP Parameters	122
Table 88	VLAN Table Update Engine (TUPE) Parameters	126
Table 89	VCAP LPM Key and Sizes	128
Table 90	VCAP LPM Key Overview	128
Table 91	VCAP LPM SGL_IP4 Key Details	129
Table 92	VCAP LPM DBL_IP4 Key Details	129
Table 93	VCAP LPM SGL_IP6 Key Details	129
Table 94	VCAP LPM DBL_IP6 Key Details	129
Table 95	VCAP LPM Action Selection	130
Table 96	VCAP LPM Actions	130
Table 97	CPU Queue Overview	144
Table 98	Ingress Router Leg Events	145
Table 99	Ingress Router Leg Statistics Example	146
Table 100	Egress Router Leg Events	146
Table 101	Egress Router Leg Statistics Example	147
Table 102	VCAP IS2 Keys and Sizes	148
Table 103	VCAP IS2 Key Overview	148
Table 104	VCAP IS2 Actions	153
Table 105	VCAP IS2 Frame Types	159
Table 106	Port Configuration of VCAP IS2	160
Table 107	VCAP IS2 Key Selection	160
Table 108	VCAP IS2 Range Checker Configuration	161
Table 109	Other VCAP IS2 Key Configurations	162
Table 110	Combining VCAP IS2 Actions	163
Table 111	VCAP IS2 Statistics and Diagnostics	164
Table 112	ANA_ACL Address Swapping and Rewriting Registers	165
Table 113	ANA_ACL Routing Registers	166

Table 114	ANA_ACL PTP Processing and Rewriting Registers	167
Table 115	MAC Table Entry	169
Table 116	MAC Table Access Registers	170
Table 117	MAC Table Access Commands	171
Table 118	Scan Filters	174
Table 119	Scan Modification Actions	175
Table 120	Forwarding Registers	176
Table 121	Hardware-Based Learning	177
Table 122	Automated Age Scan Registers Overview	181
Table 123	Analyzer Interrupt Handling Registers Overview	182
Table 124	PGID Registers Overview	183
Table 125	Source Table Registers Overview	186
Table 126	Aggregation Table Registers Overview	186
Table 127	GLAG Forward Registers Overview	187
Table 128	Policer Control Registers Overview	188
Table 129	Service and Bundle Dual Leaky Bucket Table Entries	191
Table 130	BUM Single Leaky Bucket Table Entries	192
Table 131	ACL Policer Table Entries	193
Table 132	Priority Policer Table Entry	194
Table 133	Port Policer Table Entry	194
Table 134	Storm Policer Table Entry	196
Table 135	Analyzer Port Statistics Register Overview	197
Table 136	Queue Statistics Registers Overview	200
Table 137	BUM Policer Statistics Registers Overview	201
Table 138	ACL Policer Statistics Registers Overview	202
Table 139	Analyzer Routing Statistics Registers Overview	203
Table 140	Analyzer sFlow Registers Overview	204
Table 141	ANA_AC Mirror Registers Overview	205
Table 142	Port Definitions in Shared Queue System	207
Table 143	Ingress Port Modes	209
Table 144	Analyzer Result	209
Table 145	Buffer Control Registers Overview	210
Table 146	Buffer Status Registers Overview	210
Table 147	Statistics Modes	211
Table 148	Forward Pressure Configuration Registers Overview	211
Table 149	Analyzer Destination Selection	212
Table 150	Frame Forwarder Registers Overview	212
Table 151	Analyzer Congestion Results	213
Table 152	Strict Priority Sharing Configuration Settings	215
Table 153	Per Priority Sharing Configuration Settings	216
Table 154	WRED Sharing Configuration	217
Table 155	Threshold Configuration Overview	217
Table 156	Congestion Control Registers Overview	218
Table 157	Frame Forwarder Monitoring Registers Overview	218
Table 158	Queue Mapping Registers Overview	222
Table 159	Queue Limitation Conditions	224
Table 160	Queue Limitation Registers	224
Table 161	Shaper Registers Overview	226
Table 162	Scheduler Arbitration Registers Overview	227
Table 163	Miscellaneous Scheduler Registers Overview	228
Table 164	Frame Aging Registers Overview	228
Table 165	Statistics Address Mapping	229
Table 166	Statistics Registers Overview	230
Table 167	EEE Registers Overview	231
Table 168	Calendar Registers Overview	232
Table 169	Frame Table Entry Register Overview (4,096 entries)	233
Table 170	DTI Table Entry Registers Overview	234
Table 171	Miscellaneous DTI Parameters	234
Table 172	TTI Timer Ticks Registers Overview	239

Table 173	TTI Parameters (4096)	239
Table 174	TTI Calendar Registers Overview	240
Table 175	Miscellaneous TTI Registers Overview	241
Table 176	AFI TUPE Registers Overview	241
Table 177	Port Parameters	246
Table 178	ES0 Configuration Registers	247
Table 179	VCAP_ES0 Keys	248
Table 180	VCAP_ES0 Actions	249
Table 181	Rewriter Pipeline Point Definitions	254
Table 182	Pipeline Actions	254
Table 183	Pipeline Point Updating Rules	255
Table 184	Frame Loopback Options	256
Table 185	Pipeline Action Updates	256
Table 186	Loopback IFH Updates	256
Table 187	Egress Statistics Control Registers	257
Table 188	ESDX Index Selection	257
Table 189	Egress Statistics Update	258
Table 190	Mapping Table Configuration Registers	259
Table 191	Port VLAN Tag Configuration Registers	260
Table 192	ES0 VLAN Tag Actions	262
Table 193	Port-Based DSCP Editing Registers	265
Table 194	Rewriter VStaX Configuration Registers	266
Table 195	GCPU Configuration Registers	267
Table 196	Routing SMAC Configuration Registers	268
Table 197	L3 Routing Egress Mapping VLAN (EVMID)	268
Table 198	Mirror Probe Configuration Registers	268
Table 199	IFH Configuration Registers	270
Table 200	Replication Terminology	271
Table 201	Basic Port Setup Configuration Registers Overview	271
Table 202	Buffer Maintenance Configuration Register Overview	272
Table 203	PAUSE Frame Generation Configuration Registers Overview	272
Table 204	PAUSE Frame Reception Configuration Registers Overview	273
Table 205	PFC PAUSE Frame Generation Configuration Registers Overview	273
Table 206	Half-Duplex Mode Flow Control Configuration Register Overview	273
Table 207	Aging Configuration Register Overview	274
Table 208	Aging Status Register Overview	274
Table 209	Rate Limiting Common Configuration Registers Overview	274
Table 210	Rate Limiting Frame Overhead Configuration Registers Overview	275
Table 211	Rate Limiting Payload Data Rate Configuration Registers Overview	275
Table 212	Rate Limiting Frame Rate Registers Overview	276
Table 213	Error Detection Status Registers Overview	276
Table 214	Layer 1 Timing Configuration Registers	276
Table 215	Layer 1 Timing Recovered Clock Pins	277
Table 216	Recovered Clock Settings for 1 Gbps or Lower	277
Table 217	Recovered Clock Settings for 2.5 Gbps	278
Table 218	Recovered Clock Settings for XAUI/RXAUI	278
Table 219	Recovered Clock Settings for SFI	279
Table 220	Recovered Clock Settings for Secondary PLL	279
Table 221	Squelch Configuration for Sources	280
Table 222	Timing Parameters	281
Table 223	Rewriter PTP Configuration	283
Table 224	Rewriter Operations for One-Step Operation	284
Table 225	LoadStore Controller	286
Table 226	IEEE 1588 Configuration Registers Overview	287
Table 227	PTP Actions in Rewriter	287
Table 228	Rewriter Registers	288
Table 229	Port Module Registers	288
Table 230	I/O Delays at 250 MHz	289
Table 231	I/O Delays at 278 MHz	289

Table 232	VRAP Registers	289
Table 233	VLAN Table Configuration Before APS	298
Table 234	VLAN TUPE Command for Ring Protection Switching	299
Table 235	VLAN Table Configuration After APS	299
Table 236	MAC Table Flush, First Command	300
Table 237	Pin Strapping	302
Table 238	Clocking and Reset Configuration Registers	307
Table 239	Shared Bus Configuration Registers	310
Table 240	SI Slave Mode Register	313
Table 241	SI Slave Mode Pins	314
Table 242	MIIM Slave Pins	316
Table 243	MIIM Registers	316
Table 244	VCore Shared Bus Access Registers	318
Table 245	Mailbox and Semaphore Registers	319
Table 246	Manual PCIe Bring-Up Registers	321
Table 247	Base Address Registers	322
Table 248	PCIe Outbound Interrupt Registers	323
Table 249	Outbound Access Registers	323
Table 250	PCIe Access Header Fields	324
Table 251	FDMA PCIe Access Header Fields	324
Table 252	Power Management Registers	325
Table 253	PCIe Wake Pin	325
Table 254	FDMA Registers	326
Table 255	SI Boot Controller Configuration Registers	334
Table 256	Serial Interface Pins	335
Table 257	SI Master Controller Configuration Registers Overview	337
Table 258	SI Master Controller Pins	338
Table 259	DDR3/DDR3L Controller Registers	341
Table 260	General DDR3/DDR3L Timing and Mode Parameters	342
Table 261	Memory Controller Configuration	343
Table 262	Timer Registers	346
Table 263	UART Registers	347
Table 264	UART Interface Pins	348
Table 265	Two-Wire Serial Interface Registers	349
Table 266	Two-Wire Serial Interface Pins	350
Table 267	MIIM Registers	351
Table 268	MIIM Management Controller Pins	352
Table 269	GPIO Registers	353
Table 270	GPIO Overlaid Functions	354
Table 271	Parallel Signal Detect Pins	356
Table 272	SIO Registers	357
Table 273	SIO Controller Pins	357
Table 274	Blink Modes	360
Table 275	SIO Controller Port Mapping	361
Table 276	Fan Controller	363
Table 277	Fan Controller Pins	363
Table 278	Temperature Sensor Registers	364
Table 279	Integrity Monitor Registers	364
Table 280	Memories with Integrity Support	366
Table 281	Interrupt Controller Registers	367
Table 282	Interrupt Sources	368
Table 283	Interrupt Destinations	370
Table 284	External Interrupt Pins	372
Table 285	Internal Pull-Up or Pull-Down Resistors	373
Table 286	Reference Clock Inputs	373
Table 287	CLKOUT2 Driver	373
Table 288	DDR3 SDRAM Signals	374
Table 289	DDR3L SDRAM Signals	374
Table 290	1G Transmitter	375

Table 291	1G Receiver	375
Table 292	6G Transmitter	376
Table 293	6G Receiver	376
Table 294	10G Transmitter	377
Table 295	10G Receiver	377
Table 296	I/O Signals	377
Table 297	GPIO, SI, JTAG, and Miscellaneous Signals DC Specifications	378
Table 298	MIIM Interface DC Specifications	378
Table 299	Recovered Clock Output DC Specifications	378
Table 300	Thermal Diode Parameters	379
Table 301	REFCLK Reference Clock	380
Table 302	REFCLK2 Reference Clock	380
Table 303	CLKOUT2 Driver	382
Table 304	100BASE-FX, SGMII, SFP, 1000BASE-KX Transmitter	382
Table 305	100BASE-FX, SGMII, SFP, 1000BASE-KX Receiver	383
Table 306	100BASE-FX, SGMII, SFP, 2.5G, 1000BASE-KX Transmitter	384
Table 307	100BASE-FX, SGMII, SFP, 2.5G, 1000BASE-KX Receiver	384
Table 308	XAUI, 10BASE-CX4, 10GBASE-KX4 Transmitter	385
Table 309	XAUI, 10BASE-CX4, 10GBASE-KX4 Receiver	386
Table 310	PCIe Transmitter	387
Table 311	PCIe Receiver	387
Table 312	QSGMII Transmitter	387
Table 313	QSGMII Receiver	388
Table 314	RXAUI Transmitter	389
Table 315	RXAUI Receiver	389
Table 316	100BASE-FX, SGMII, SFP, 1000BASE-KX, 2.5G Transmitter	390
Table 317	100BASE-FX, SGMII, SFP, 1000BASE-KX, 2.5G Receiver	390
Table 318	10G Transmitter Output (SFI Point B, Host)	391
Table 319	10G Transmitter Output (SFI Point B, Host) for Direct Attach Copper	392
Table 320	10G Receiver Input (SFI Point C and C", Host)	392
Table 321	10G Receiver Input (SFI Point C, Host) for Direct Attach Copper	393
Table 322	10G Transmitter Output (SFI Point A, ASIC)	393
Table 323	SFI Input Receiver (SFI Point D, ASIC)	394
Table 324	10GBASE-KR Transmitter	394
Table 325	10GBASE-KR Receiver	395
Table 326	nRESET Timing Specifications	395
Table 327	MIIM Timing Specifications	396
Table 328	SI Boot Timing Specifications for Master Mode	396
Table 329	SI Timing Specifications for Master Mode	397
Table 330	SI Timing Specifications for Slave Mode	398
Table 331	DDR3/DDR3L SDRAM Input Signal AC Characteristics	399
Table 332	DDR3/DDR3L SDRAM Output Signal AC Characteristics	400
Table 333	JTAG Interface AC Specifications	402
Table 334	Serial I/O Timing Specifications	403
Table 335	Recovered Clock Output AC Specifications	404
Table 336	Two-Wire Serial Interface AC Specifications	405
Table 337	IEEE1588 Time Tick Output AC Specifications	405
Table 338	Operating Current for VSC7442-02	406
Table 339	Operating Current for VSC7444-02	406
Table 340	Operating Current for VSC7448-02	407
Table 341	Operating Current for VSC7449-02	407
Table 342	Power Consumption for VSC7442-02	408
Table 343	Power Consumption for VSC7444-02	408
Table 344	Power Consumption for VSC7448-02	408
Table 345	Power Consumption for VSC7449-02	408
Table 346	Power Consumption, Reduced Configurations	408
Table 347	Recommended Operating Conditions	409
Table 348	Stress Ratings	410
Table 349	Pin Type Symbol Definitions	412

Table 350	DDR3/DDR3L SDRAM Pins	413
Table 351	GPIO Pins	414
Table 352	JTAG Interface Pins	414
Table 353	MII Management Interface Pins	414
Table 354	Miscellaneous Pins	415
Table 355	PCI Express Interface Pins	415
Table 356	Power Supply and Ground Pins	416
Table 357	SERDES1G Pins	416
Table 358	SERDES6G Pins	416
Table 359	SERDES10G Pins	418
Table 360	Serial CPU Interface Pins	418
Table 361	System Clock Interface Pins	418
Table 362	Pin Type Symbol Definitions	433
Table 363	DDR3/DDR3L SDRAM Pins	434
Table 364	GPIO Pins	435
Table 365	JTAG Interface Pins	435
Table 366	MII Management Interface Pins	435
Table 367	Miscellaneous Pins	436
Table 368	PCI Express Interface Pins	436
Table 369	Power Supply and Ground Pins	436
Table 370	SERDES1G Pins	437
Table 371	SERDES6G Pins	437
Table 372	SERDES10G Pins	439
Table 373	Serial CPU Interface Pins	440
Table 374	System Clock Interface Pins	440
Table 375	Pin Type Symbol Definitions	455
Table 376	DDR3/DDR3L SDRAM Pins	456
Table 377	GPIO Pins	457
Table 378	JTAG Interface Pins	457
Table 379	MII Management Interface Pins	457
Table 380	Miscellaneous Pins	458
Table 381	PCI Express Interface Pins	458
Table 382	Power Supply and Ground Pins	458
Table 383	SERDES1G Pins	459
Table 384	SERDES6G Pins	459
Table 385	SERDES10G Pins	461
Table 386	Serial CPU Interface Pins	461
Table 387	System Clock Interface Pins	462
Table 388	Pin Type Symbol Definitions	476
Table 389	DDR3/DDR3L SDRAM Pins	477
Table 390	GPIO Pins	478
Table 391	JTAG Interface Pins	478
Table 392	MII Management Interface Pins	478
Table 393	Miscellaneous Pins	479
Table 394	PCI Express Interface Pins	479
Table 395	Power Supply and Ground Pins	479
Table 396	SERDES1G Pins	480
Table 397	SERDES6G Pins	480
Table 398	SERDES10G Pins	482
Table 399	Serial CPU Interface Pins	482
Table 400	System Clock Interface Pins	483
Table 401	Thermal Resistances	498
Table 402	Ordering Information	501

1 Revision History

The revision history describes the changes that were implemented in the document. The changes are listed by revision, starting with the most current publication.

1.1 Revision 4.1

Revision 4.1 was published in April 2019. The following is a summary of changes in revision 4.1 of this document.

- The Design Considerations chapter was updated with an issue regarding VCAP ES0 actions and SDLB policers. For more information, see [Design Considerations](#), page 500.
- The Pin Strapping table has been updated. For more information, see [Table 237](#), page 302.

1.2 Revision 4.0

Revision 4.0 was the first production-level publication of this document.

2 Product Overview

The VSC7442-02 SparX-IV-52™, VSC7444-02 SparX-IV-44™, VSC7448-02 SparX-IV-80™, and VSC7449-02 SparX-IV-90™ SMB/SME/Industrial Ethernet switch family provides a rich set of Enterprise and Industrial Ethernet switching features such as advanced TCAM-based VLAN and QoS processing enabling delivery of differentiated services, security through TCAM-based frame processing using Versatile Content Aware Processor (VCAP), protection switching, IEEE 1588v2 precision time protocol, and synchronous Ethernet. IPv4/IPv6 Layer 3 (L3) routing is supported with up to 4K IPv4 (1K IPv6) unicast LPM entries and up to 2K IPv4 (512 IPv6) L3 multicast groups. L3 security features include source guard and reverse path forwarding (uRPF) tasks.

A powerful 500 MHz MIPS-24KEc CPU enables full management of the switch and advanced Enterprise and Industrial applications.

The devices target managed Layer 2 and Layer 3 equipment in SMB, SME, and industrial applications where high port count 1G switching with 10G aggregation links is required.

The VSC7442-02 SparX-IV-52™ device is a 52 Gbps SMB/SME/Industrial Ethernet switch with up to 52 ports supporting the following main port configuration:

- 12 × QSGMII ports + 4 × 1G SGMII ports

The VSC7444-02 SparX-IV-44™ device is a 44 Gbps (60 Gbps with 2.5G SGMII ports) SMB/SME/Industrial Ethernet switch with up to 26 ports supporting the following main port configurations:

- 26 × 1G SGMII ports
- 24 × 1G SGMII ports + 2 × 10G SFI/XAUI/RXAUI ports
- 6 × QSGMII ports + 2 × 10G SFI/XAUI/RXAUI ports
- 16 × 2.5G SGMII ports + 2 × 10G SFI/XAUI/RXAUI ports

The VSC7448-02 SparX-IV-80™ device is an 80 Gbps SMB/SME/Industrial Ethernet switch with up to 52 ports supporting the following main port configurations:

- 20 × 1G SGMII ports + 4 × 10G ports (1 × 10G SFI + 3 × 10G SFI/XAUI/RXAUI ports)
- 24 × 1G SGMII ports + 4 × 10G ports (2 × SFI + 2 × SFI/XAUI/RXAUI)
- 32 × 1G SGMII ports + 4 × 10G SFI ports
- 36 × 1G SGMII ports
- 10 × QSGMII ports + 4 × 10G ports (2 × SFI + 2 × SFI/XAUI/RXAUI)
- 12 × QSGMII ports + 3 × 10G ports (1 × SFI + 2 × SFI/XAUI/RXAUI)
- 16 × 2.5G SGMII ports + 4 × 10G ports (2 × SFI + 2 × SFI/XAUI/RXAUI)
- 24 × 2.5G SGMII ports + 2 × 10G SFI ports

The VSC7449-02 SparX-IV-90™ device is a 90 Gbps SMB/SME/Industrial Ethernet switch with up to 52 ports supporting the following main port configurations, in addition to port configurations supported by VSC7448-02 and VSC7449-02.

- 12 × QSGMII ports + 4 × 10G ports (2 × SFI + 2 × SFI/XAUI/RXAUI)
- 20 × 2.5G SGMII ports + 4 × 10G ports (2 × SFI + 2 × SFI/XAUI/RXAUI)
- 20 × 2.5G SGMII ports + 4 × 10G SFI ports or 24 × 2.5G SGMII ports + 3 × 10G SFI ports

In addition, all devices support one 10/100/1000 Mbps SGMII/SerDes Node Processor Interface (NPI) Ethernet port.

2.1 General Features

This section lists the key device features and benefits.

2.2 Layer 2 and Layer 3 Forwarding

- IEEE802.1Q switch with 4K VLANs and 32K MAC table entries
- Push/pop/translate up to three VLAN tags on ingress and egress
- RSTP and MSTP support

- Fully nonblocking wire-speed switching performance for all frame sizes
- IPv4/IPv6 unicast and multicast Layer 2 switching with up to 32K groups and 1K port masks
- IPv4/IPv6 unicast and multicast Layer 3 forwarding (routing) with reverse path forwarding (RPF) support
- IGMPv2, IGMPv3, MLDv1, and MLDv2 support

2.3 Timing and Synchronization

- Synchronous Ethernet, with four clock outputs recovered from any port
- IEEE 1588-2008 (v2) with nanosecond-accurate time stamping for one-step and two-step clocks
- Hardware processing and PTP frame generation

2.4 Quality of Service

- Four megabytes of integrated shared packet memory (two megabytes in VSC7442-02 and VSC7444-02)
- Eight QoS classes with a pool of up to 32K queues
- TCAM-based classification with pattern matching against Layer 2 through Layer 4 information
- Dual-rate policers selected by VCAP IS2, eight single-rate priority policers per port, and four single-rate port policers for each port
- Flexible 4K ingress QoS mappings and 8K egress QoS mappings for VLAN tags and DSCP values
- Up to 4K egress VLAN tag operations
- Audio/video bridging (AVB) with support for time-synchronized, low-latency audio and video streaming services
- Priority-based flow control (PFC) (IEEE 802.1Qbb)

2.5 Security

- Versatile Content Aware Processor (VCAP™) packet filtering engine using ACLs for ingress and egress packet inspection
- Storm controllers for flooded broadcast, flooded multicast, and flooded unicast traffic
- Per-port, per-address registration for copying/redirecting/discarding
- 32 VCAP single-rate policers

2.6 Management

- VCore-III™ CPU system with integrated 500 MHz MIPS 24KEc CPU with MMU and DDR3/DDR3L SDRAM controller
- PCIe 1.x CPU interface
- CPU frame extraction (eight queues) and injection (two queues) through DMA, which enables efficient data transfer between Ethernet ports and CPU/PCIe
- EJTAG debug interface
- Configurable 16-bit or 8-bit DDR3 SDRAM interface supporting up to one gigabyte (GB) of memory
- Sixty-four pin-shared general-purpose I/Os:
 - Serial GPIO and LED controller controlling up to 32 ports with four LEDs each
 - Triple PHY management controller (MIIM)
 - Dual UART
 - Dual built-in two wire serial interface multiplexer
 - External interrupts
 - 1588 synchronization I/Os
 - SFP loss of signal inputs
- External access to registers through PCIe, SPI, MIIM, or through an Ethernet port with inline Versatile Register Access Protocol (VRAP)
- Per-port counter set with support for the RMON statistics group (RFC 2819) and SNMP interfaces group (RFC 2863)
- Energy Efficient Ethernet (EEE) (IEEE 802.3az)
- Support for CPU modes with internal CPU only, external CPU only, or dual CPU

2.7 Product Parameters

All SerDes, packet memory, and configuration tables necessary to support network applications are integrated. The following table lists the primary parameters for the devices.

Table 1 • Product Parameters

Features and Port Configurations	VSC7442-02	VSC7444-02	VSC7448-02	VSC7449-02
Maximum bandwidth excluding 1G NPI port	52 Gbps	1G: 44 Gbps 2.5G: 60 Gbps	80 Gbps	90 Gbps
Maximum number of ports excluding 1G NPI port	52	26	52	52
Maximum number of QSGMII ports	12	6	12	12
Maximum number of 1G ports excluding 1G NPI port	52	26	52	52
Maximum number of 1G SGMII ports excluding 1G NPI port	16	26	36	36
Maximum number of 2.5G ports	0	16	24	24
Maximum number of 10G ports (SFI/XAUI/RXAUI)	0	2	4	4
SERDES1G lanes including 1G NPI port	1	9	9	9
SERDES6G lanes	12	24	24	24
SERDES10G lanes ⁽¹⁾	4	2	4	4
Layer 2 Switching				
Packet buffer	16 Mb	16 Mb	32 Mb	32 Mb
MAC table size	32K	32K	32K	32K
Layer 2 multicast port masks	1K	1K	1K	1K
Super VCAP blocks (4K x 36 bits per block)	4	6	8	8
VCAP CLM entries (36 bits) per super VCAP block	4K	4K	4K	4K
VCAP LPM entries	IPv4: 4K IPv6: 1K	IPv4: 4K IPv6: 1K	IPv4: 4K IPv6: 1K	IPv4: 4K IPv6: 1K
VCAP IS2 entries (288 bits) per super VCAP block	512	512	512	512
VCAP ES0 entries	4K	4K	4K	4K
Layer 3 Routing				
Router legs	128	128	128	128
IP unicast routes/hosts	IPv4: 4K IPv6: 1K	IPv4: 4K IPv6: 1K	IPv4: 4K IPv6: 1K	IPv4: 4K IPv6: 1K
Next-hop/ARP table entries	2K	2K	2K	2K
IP (S,G) or (*, G) multicast groups (shared with IP unicast routes)	IPv4: 2K IPv6: 512	IPv4: 2K IPv6: 512	IPv4: 2K IPv6: 512	IPv4: 2K IPv6: 512
Multicast router leg masks	1K	1K	1K	1K
ECMPs	16	16	16	16
Quality of Service and Security				
Ingress QoS mapping table entries	4K	4K	4K	4K

Table 1 • Product Parameters (continued)

Features and Port Configurations	VSC7442-02	VSC7444-02	VSC7448-02	VSC7449-02
Egress QoS mapping table entries	8K	8K	8K	8K
Security enforcement (ACL) rules (288 bits) per super VCAP block allocated to VCAP IS2	512	512	512	512

1. For VSC7442-02, SERDES10G lane supports up to 1 Gbps.

2.8 Applications

The devices target the following applications.

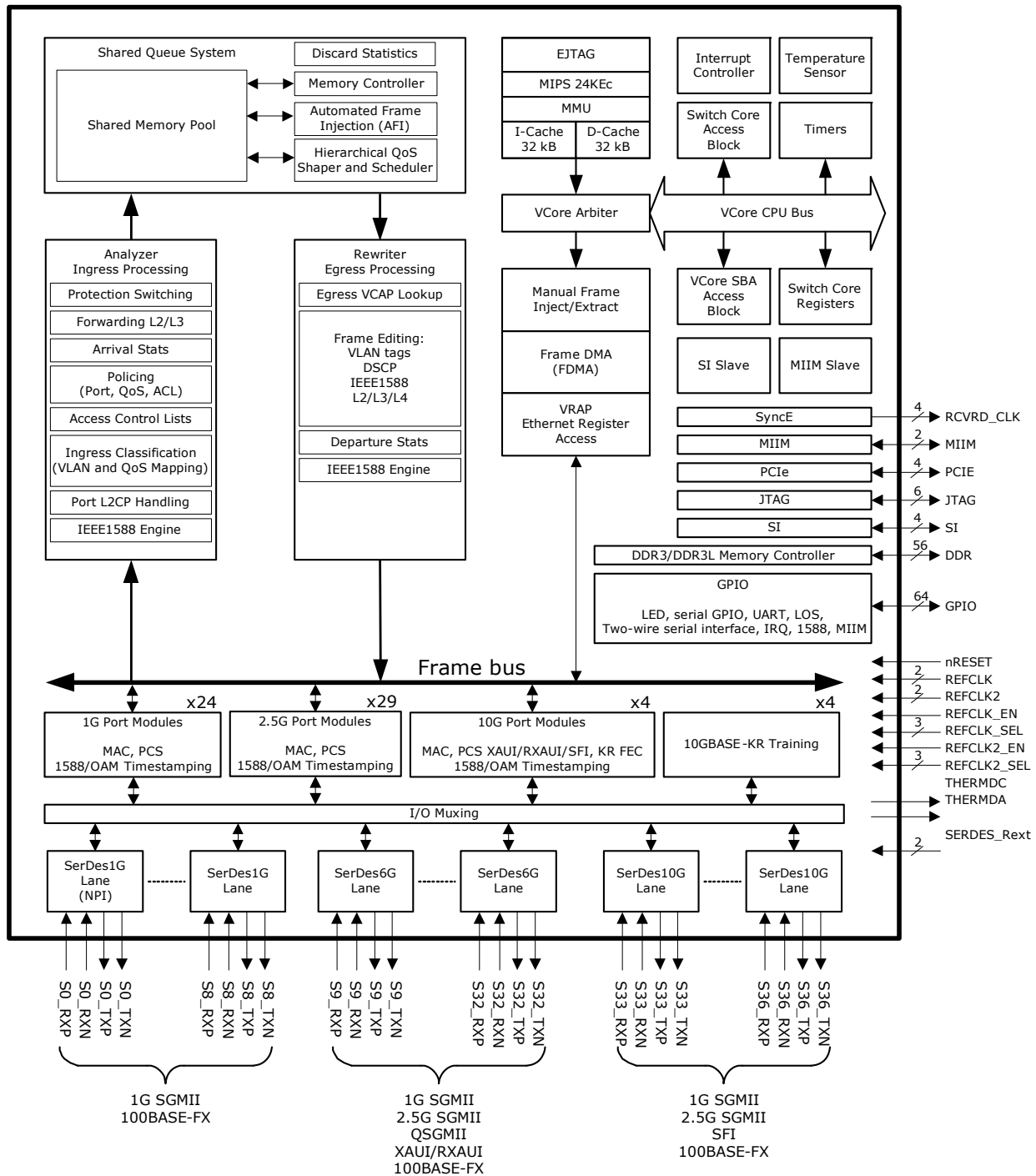
- Industrial Ethernet equipment with protection switching and IEEE 1588 timing requirements
- Fully managed Layer 2 and Layer 3 SMB and SME equipment, such as high port count 1G switches with 10G aggregation links

2.9 Functional Overview

This section provides an overview of all the major blocks and functions involved in the forwarding operation in the same order as a frame traverses through the device. It also outlines other major functionality of the devices, such as the CPU subsystem and IEEE 1588 PTP processing.

The following illustration shows the VSC7448-02 block diagram. The block diagrams for VSC7442-02, VSC7444-02, and VSC7449-02 are similar, but with different port module and SerDes lane configurations.

Figure 1 • VSC7448-02 Block Diagram



2.9.1 Frame Arrival in Ports and Port Modules

The Ethernet interfaces receive incoming frames and forward these to the port modules.

Each port module contains a Media Access Controller (MAC) that performs a full suite of checks, such as VLAN tag-aware frame size checking, frame check sequence (FCS) checking, and pause frame identification.

Each port module connects to a SerDes macro and contains a Physical Coding Sublayer (PCS), which performs 8b/10b or 64b/66b encoding, auto-negotiation of link speed and duplex mode, and monitoring of the link status.

Symmetric and asymmetric pause flow control are both supported as well as priority-based flow control (IEEE 802.1Qbb).

All Ethernet ports support Energy Efficient Ethernet (EEE) according to IEEE 802.3az. The shared queue system is capable of controlling the PCS operating states, which are active or low power. The PCS understands the line signaling as required for EEE. This includes signaling of active, sleep, quiet, refresh, and wake.

2.9.1.1 1G SGMII Line Ports

1G SGMII line ports operate in one of the following modes:

- 10/100/1000 Mbps SGMII. The SGMII interface connects to an external copper PHY device or copper SFP optical module with SGMII interface. In this mode, autonegotiation is supported for link speed, duplex settings, pause settings, and remote fault signaling. Full-duplex is supported for all speeds, while half-duplex is supported for 10/100 Mbps.
- 100BASE-FX. The 100BASE-FX interface connects directly to a 100BASE-FX SFP optical module. Autonegotiation is not specified for 100BASE-FX and is not supported. Operation is always 100 Mbps and full duplex.
- 1000BASE-X. The 1000BASE-X interface connects directly to a 1000BASE-X SFP optical module. Autonegotiation is supported for pause settings and remote fault signaling. Operation is always 1000 Mbps and full duplex. 1G backplane Ethernet 1000BASE-KX is fully supported, including autonegotiation.

2.9.1.2 2.5G SGMII Line Ports

The 2.5G interface connects directly to an SFP optical module. Operation is always 2500 Mbps and full duplex. 2.5G backplane Ethernet is also supported.

2.9.1.3 1G QSGMII Line Ports

1G QSGMII line ports operate in quad 10/100/1000 Mbps QSGMII. The QSGMII interface connects to an external copper PHY device. In this mode, autonegotiation is supported for link speed, duplex settings, pause settings, and remote fault signaling. Full-duplex is supported for all speeds, while half-duplex is supported for 10/100 Mbps.

2.9.1.4 10G Line Ports

10G line ports can operate in one of the following modes. All ports support SFI but some ports may not support XAUI and RXAUI.

- 10 Gbps SFI. The interface connects directly to a 10GBASE-R SFP+ optical module or an external PHY device. Auto-negotiation is supported for pause settings, remote fault signaling, and backplane Ethernet functions. The 10G or 1G operation is supported for SFP+ optical modules, and operation is always full duplex.
 - 10G backplane Ethernet 10GBASE-KR (serial backplane) is fully supported, including autonegotiation, training, and 10GBASE-KR FEC.
 - When used with external devices capable of WAN-PHY (10GBASE-W) operation, the 10G line ports support pacing operation as specified for 10GBASE-W operation.
- 10 Gbps XAUI/RXAUI. This interface supports four-lane XAUI or two-lane RXAUI and connects to external devices supporting these interfaces. Autonegotiation is supported for pause settings, remote fault signaling, and backplane Ethernet functions. 10G or 1G operation is supported for SFP+ optical modules, and operation is always full duplex.
 - 10G backplane Ethernet 10GBASE-KX4 (four-lane backplane) and 10GBASE-CX4 (four-lane copper) are fully supported, including autonegotiation.

2.9.2 Basic Classification

Basic frame classification in the ingress processing module (the analyzer) receives all frames before further classification processing is performed. The basic classifier uses configurable logic to classify each frame to a VLAN, QoS class, drop precedence (DP) level, DSCP value, and an aggregation code. This

information is carried through the switch together with the frame and affects policing, drop precedence marking, statistics collecting, security enforcement, Layer 2 and Layer 3 forwarding, and rewriting.

The basic classifier also performs a general frame acceptance check. The output from the basic classification may be overwritten or changed by the more intelligent advanced classification using the TCAM-based VCAP.

2.9.3 Security and Control Protocol Classification

Before being passed on to the Layer 2 forwarding, all frames are inspected by the VCAP IS2 for security enforcement and control protocol actions.

The action associated with each IS2 entry (programmed into the IS2 action RAM) includes frame filtering, single leaky bucket rate limiting (frame or byte based), snooping to CPU, redirecting to CPU, mirroring, time stamping, and accounting. Although the VCAP IS2 is located in the ingress path of the device, it has both ingress and egress capabilities.

The VCAP IS2 engine embeds powerful protocol awareness for well-known protocols such as LLC, SNAP, ARP, IPv4, IPv6, and UDP/TCP. IPv6 is supported with full matching against both the source and the destination IP addresses.

For each frame, up to two lookup keys are generated and matched against the VCAP entries.

2.9.4 Policing

Each frame is subject to one or more of the following policing operations.

-
- Single-rate priority policers. Ingress port number and QoS class determine which policer to use.
- Single-rate port policers. Ingress port number determines which policer to use.
- VCAP single-rate policers. IS2 action selects which VCAP single-rate policer to use.
- VCAP dual-rate policers. IS2 action selects which VCAP dual-rate policer to use.
- Single-rate global storm policers. Frame characteristics, such as broadcast, unicast, multicast (BUM), or learn-frame, select which policer to use.
- Single-rate service broadcast, unicast, and multicast (BUM) policers for flooded frames. Service classification and destination MAC address select which policer to use.

Each frame can trigger up to fourteen policers:

- One BUM policer
- One priority policer or one dual-rate VCAP policer
- One port policer
- One VCAP policer
- Four port policers
- Eight storm policers

Dual-rate policers are MEF-compliant, supporting both color-blind and color-aware operation. The initial frame color is derived from the drop precedence level from the frame classification. The MEF coupling mode is also configurable for each policer.

Dual-rate policers ensure Service Level Agreement (SLA) compliance. The outcome of this policing operation is to mark each accepted frame as in-profile (green) or out-of-profile (yellow). Yellow frames are treated as excess or discard-eligible and green frames are committed. Frames that exceed the yellow/excess limits are discarded (red).

The four port policers and eight storm policers can be programmed to limit different types of traffic such as CPU-forwarded frames, learn frames, known or unknown unicast, multicast, or broadcast.

2.9.5 Layer 2 Forwarding

After the policers, the Layer 2 forwarding block of the analyzer handles all fundamental Layer 2 forwarding operations and maintains the associated MAC table, the VLAN table, and the aggregation table. The devices implement a 32K MAC table and a 4K VLAN table.

The main task of the analyzer is to determine the destination port set of each frame. The Layer 2 forwarding decision is based on various information such as the frame's ingress port, source MAC

address, destination MAC address, and the VLAN identifier, as well as the frame's VCAP actions, mirroring, and the destination port's link aggregation configuration.

Layer 2 forwarding of unicast and Layer 2 multicast frames is based on the destination MAC address and the VLAN.

The switch can also L2-forward IPv4 and IPv6 multicast frames using additional Layer-3 information, such as the source IP address. The latter enables source-specific IPv4 multicast forwarding (IGMPv3) and source-specific IPv6 multicast forwarding (MLDv2). This process of L2-forwarding multicast frames using Layer 3 information is called "snooping", which is different from L3-forwarding (routing) of multicast frames.

The following describes some of the contributions to the Layer 2 forwarding.

- **VLAN Classification** VLAN-based forward filtering includes source port filtering, destination port filtering, VLAN mirroring, and asymmetric VLANs.
- **Security Enforcement** The security decision made by the VCAP IS2 can, for example, redirect the frame to the CPU based on security filters.
- **MAC Addresses** Destination and source MAC address lookups in the MAC table determine if a frame is a learn frame, a flood frame, a multicast frame, or a unicast frame.
- **Learning** By default, the device performs hardware learning on all ports. However, certain ports could be configured with secure learning enabled, where an incoming frame with unknown source MAC address is classified as a "learn frame" and is redirected to the CPU. The CPU performs the learning decision and also decides whether the frame is forwarded.
- Learning can also be disabled. If learning is disabled, it does not matter if the source MAC address is in the MAC table.
- **Link Aggregation** A frame targeted to a link aggregate is processed to determine which physical port of the link aggregate group the frame must be forwarded to.
- **Mirroring** Mirror probes may be set up in different places in the forwarding path for monitoring purposes. As part mirroring, a copy of the frame is sent either to the CPU or to another port.

2.9.6 Layer 3 Forwarding

The VSC7444-02, VSC7448-02, and VSC7449-02 devices support Layer 3 forwarding (routing), which is performed by the analyzer. With Layer 3 forwarding, the IPv4 or IPv6 addresses determine the destination port set and Layer 3 processing is performed on IP header. The Layer 3 forwarding process also replaces the arrival Layer 2 Ethernet header (including MAC addresses and VLAN tags) with a new Layer 2 Ethernet header after departure from the switch.

The analyzer supports 128 router legs, and supports Virtual Router Redundancy Protocol (VRRP). Ingress router legs are addressed using classified arrival VLAN and DMAC address.

If an arrival frame is determined to belong to an ingress router leg and routing is enabled, Layer 3 forwarding is applied. Note that this is in addition to any Layer 2 forwarding, so for example, an arrival multicast frame may be Layer 2 forwarded on the classified arrival VLAN and also Layer 3 forwarded to one or more additional VLANs. IP unicast frames only use Layer 2 forwarding or Layer 3 forwarding, but never both. Layer 3 forwarding always uses the classified arrival VLAN.

Layer 3 forwarding first checks the IP header for validity. IP header checks include IP version, header length, and header checksum. The Time-to-Live (TTL) or Hop Limit values are also checked for validity and decremented if the packet is forwarded.

The analyzer then searches the Longest Prefix Match (LPM) table for an exact match of the destination IP address. If there is not an exact match, the table is searched for the best partial match. If there is no partial match in the LPM table, the frame is Layer 3 forwarded to the location of the default gateway.

With Layer 3 forwarding, each egress frame copy uses an egress router leg to determine the per-copy egress encapsulation. There can be up to 16 egress router legs associated with one forwarding entry in support of Equal Cost Multipath (ECMP) functionality, where multiple forwarding paths are used between adjacent routers for increased forwarding bandwidth.

Reverse path forwarding (RPF) is optionally performed on multicast and unicast (uRPF) packets as a security check. This source IP address check helps detect and prevent address spoofing.

Multicast frames can be Layer 2 forwarded on the arrival VLAN as well as Layer 3 forwarded to different VLANs. Layer 3 forwarding of IP multicast is different from Layer 2 forwarding of IP multicast using IGMP/MLD snooping in the following ways:

- IP header checks and TTL processing are performed
- The Ethernet header is swapped
- The egress VLANs may be different from the ingress VLANs
- Multiple frame copies can be generated per physical port

Network control such as ICMP and ARP are redirected to the CPU, along with malformed packets, packets with expired TTL, and packets with options.

2.9.7 Shared Queue System and Hierarchical Scheduler

The analyzer provides the destination port set of a frame to the shared queue system. It is the queue system's task to control the frame forwarding to all destination ports.

The shared queue system embeds memory that can be shared between all queues and ports. Frames are mapped to queues through a programmable mapping function allowing ingress ports, egress ports, QoS classes to be taken into account. The sharing of resources between queues and ports is controlled by an extensive set of thresholds.

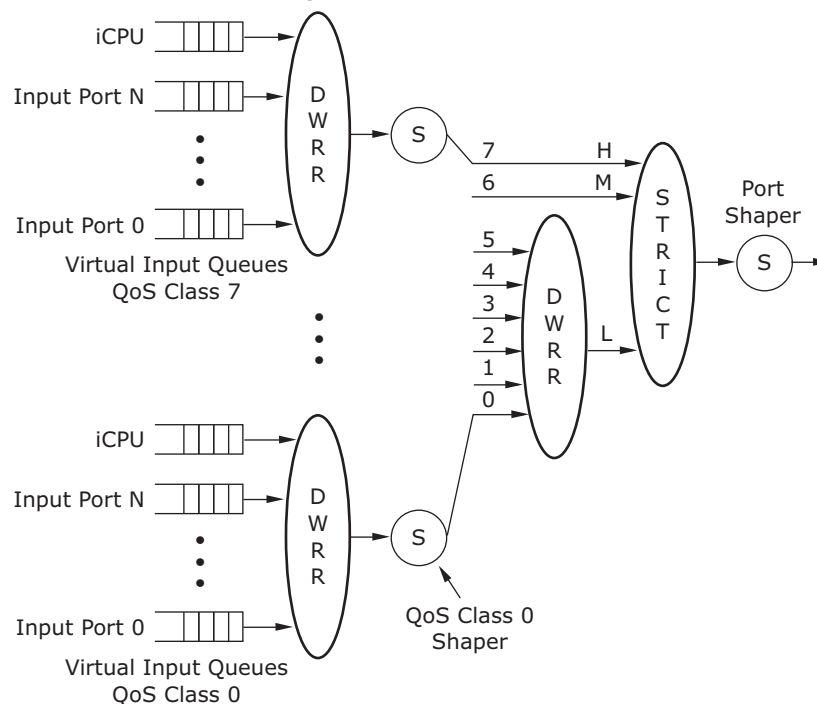
Each egress port implements default schedulers and shapers as shown in the following illustration. Per egress port, the scheduler sees the outcome of aggregating the egress queues (one per ingress port per QoS class) into eight QoS classes.

2.9.7.1 Class-Based Queuing (Default Configuration)

By default, aggregation is done in a Deficit Weighted Round Robin fashion (DWRR) with equal weights to all ingress ports within a QoS class, so byte-accurate weighted round robin scheduling between ingress ports is performed for each QoS class.

The following illustration shows the default scheduler-shaper configuration. Hierarchical scheduling-shaping is also possible.

Figure 2 • Default Scheduler-Shaper Configuration



Scheduling between QoS classes within the port can use one of the three following methods:

- Strict Priority scheduling. Frames with the highest QoS class are always transmitted before frames with lower QoS class.
- Deficit Weighted Round Robin (DWRR) scheduling. Each QoS class serviced using DWRR sets a DWRR weight ranging from 0 to 31.
- Combination of Strict Priority and DWRR scheduling. The default configuration is shown, where QoS classes 7 and 6 use strict priority while QoS classes 5 through 0 use DWRR. But any split between strict and DWRR QoS classes can be configured.

2.9.8 Rewriter and Frame Departure

Before transmitting the frame on the egress line, the rewriter can modify selected fields in the frame such as Ethernet headers and VLAN tags, IPv4/IPv6 fields, PTP fields, and FCS. The rewriter also updates the frame's COS and color indications such as DEI, PCP, and DSCP. Departure statistics are also kept based on the classified VLAN.

2.9.8.1 Basic VLAN Tagging Operations (Port-based)

By default, the egress VLAN actions are determined by the egress port settings and classified VLAN. These include basic VLAN operations such as pushing a VLAN tag, untagging for specific VLANs, and simple translations of DEI, PCP, and DSCP.

2.9.8.2 Advanced VLAN Tagging Operations (Port-based and VCAP-based)

By using the egress VCAP ES0, significantly more advanced VLAN tagging operations can be achieved. ES0 enables pushing up to three VLAN tags and flexible VLAN tag translation for VLAN tag/TPID, PCP, DEI, and DSCP control. The lookup by VCAP ES0 includes classified VLAN, egress port, and COS/color indications.

2.9.8.3 Layer 3 Forwarding (Routing) Operations

Supports per-router-leg control of Ethernet link layer encapsulation and VID, as well as modification of other Layer 3 fields such as IPv4 TTL, IPv4 checksum, and IPv6 hop limit.

2.9.8.4 PTP (IEEE 1588) Operations

PTP PDU modifications include insertion/update of time stamps and correction fields, as well as updating the UDP checksum.

The rewriter pads frames to minimum legal size if needed, and updates the FCS if the frame was modified before the frame is transmitted.

The egress port module controls the flow control exchange of pause frames with a neighboring device when the interconnection link operates in full-duplex flow control mode.

2.9.9 CPU Port Module

The CPU port module (DEVCPU) contains eight CPU extraction queues and two CPU injection queues. These queues provide an interface for exchanging frames between the internal CPU system and the switch core. An external CPU using the serial interface can also inject and extract frames to and from the switch core by using the CPU port module.

In addition, any Ethernet interface on the device can be used for extracting and injecting frames. The Ethernet interface used in this way is called the Node Processor Interface (NPI) and is typically connected to an external CPU.

Injected frames may be prepended with an injection header to control processing and forwarding of these frames. Extracted frames may be prepended with an extraction header to supply frame arrival and classification information associated with each frame. These headers may be used by internal CPU or external CPU.

The switch core can intercept a variety of different frame types and copy or redirect these to the CPU extraction queues. The classifier can identify a set of well-known frames, such as IEEE reserved destination MAC addresses (BPDUs, GARPs, CCM/Link trace), as well as IP-specific frames (IGMP, MLD). Security VCAP IS2 provides another flexible way of intercepting all kinds of frames, such as specific OAM frames, ARP frames or explicit applications based on TCP/UDP port numbers. In addition, frames can be intercepted based on the MAC table, the VLAN table, or the learning process.

Whenever a frame is copied or redirected to the CPU, a CPU extraction queue number is associated with the frame and used by the CPU port module when enqueueing the frame into the eight CPU extraction queues. The CPU extraction queue number is programmable for every interception option in the switch core.

2.9.10 Synchronous Ethernet and Precision Time Protocol (PTP)

The switch supports Synchronous Ethernet and IEEE 1588 Precision Time Protocol (PTP) for synchronizing network timing throughout a network.

Synchronous Ethernet allows for the transfer of precise network timing (frequency) using physical Ethernet link timing. Each switch port can recover its ingress clock and output the recovered clock to one of up to four recovered clock output pins. External circuitry can then generate a stable reference clock input used for egress and core logic timing.

The Precision Time Protocol (PTP) allows for the transfer of precise network timing (frequency) and time of day (phase) using Ethernet packets. PTP can operate as a one-step clock or a two-step clock. For one-step clocks, a precise time is calculated and stamped directly into the PTP frames at departure. For two-step clocks, a precise time is simply recorded and provided to the CPU for further processing. The CPU can then initiate a follow-up message with the recorded timing.

The devices support PTP Delay_req/Delay_resp processing in hardware where the Delay_req frame is terminated and a Delay_resp frame is generated based on the request. In addition to updating relevant PTP time stamps and message fields, the frame encapsulation can be changed. This includes swapping and rewriting MAC addresses, IP addresses, and TCP/UDP ports, and updating the IPv4 TTL or IPv6 hop limit.

The devices also support generation of PTP Sync frames using the automatic frame injector (AFI) functionality.

PTP is supported for a range of encapsulations including:

- PTP over Ethernet
- PTP over UDP over IPv4/IPv6 over Ethernet
- Either of the above encapsulations over MPLS pseudowire over Ethernet
- PTP over UDP over IPv4/IPv6 over MPLS over Ethernet

The switches support two separate timing domains; one for Synchronous Ethernet and data path forwarding, and one for PTP timing synchronization. This gives the system designer control over how these two timing architectures interact.

2.9.10.1 CPU Subsystem

The devices contain a powerful, 500 MHz MIPS24KEc-compatible microprocessor, a high bandwidth Ethernet Frame DMA engine, and a DDR3/DDR3L controller supporting up to 1 gigabyte (GB) of memory. This complete system-on-chip supports Linux or embedded operating systems, enabling full management of the switch and advanced software applications.

The device supports external CPU register access by the on-chip PCIe 1.x endpoint controller, by specially formatted Ethernet frames on the NPI port (Versatile Register Access Protocol), or by register access interface using SPI protocol. External CPUs can inject or extract Ethernet frames by the NPI port, by PCIe DMA access, or by register read/writes (using any register-access interface).

3 Functional Descriptions

This section describes the functional aspects of the VSC7442-02, VSC7444-02, VSC7448-02, and VSC7449-02 devices, including available configurations, operational features, and testing functionality. It also defines the device setup parameters that configure the devices for a particular application.

The functional descriptions in this section are shared across the following switch families:

- Carrier Ethernet switches: VSC7438-02, VSC7464-02, and VSC7468-02
- SMB/SME/Industrial switches: VSC7442-02, VSC7444-02, VSC7448-02, and VSC7449-02
- Stackable SMB/SME switches: VSC7454-02, VSC7458-02, and VSC7459-02

Some functional descriptions do not apply to all three switch families. The following table lists the features and associated functional aspects not supported by all three switch families. Features not listed in the table are common to all three switch families.

As an example, the Carrier Ethernet switch family supports MEF services. The support in the Carrier Ethernet devices is built around an ISDX—an internal parameter used to identify a service instance when service processing a frame. As a result, the ISDX is part of many functional blocks, such as the VCAP CLM keys and actions, the analyzer, the rewriter, and the queue system. For switch families other than the Carrier Ethernet switch family, MEF services are not supported, and the concept of the ISDX cannot be used. Any reference to ISDX and use of the ISDX is not applicable.

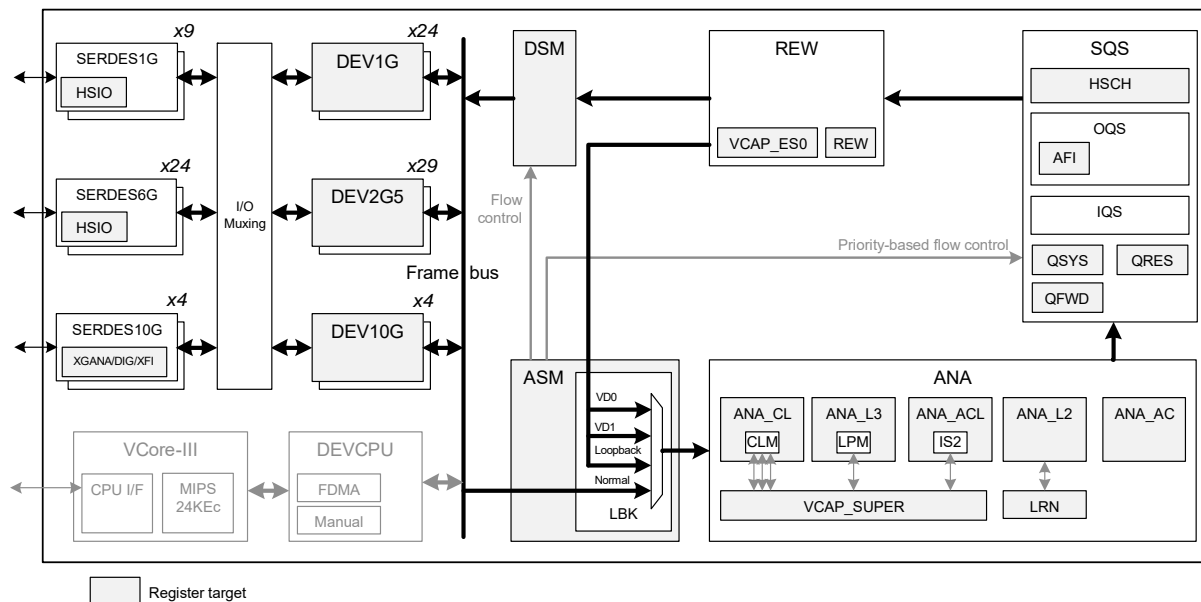
Table 2 • Feature Support by Switch Family

Features	Carrier Ethernet VSC7438-02 VSC7464-02 VSC7468-02	SMB/SME/Industrial VSC7442-02 VSC7444-02 VSC7448-02 VSC7449-02	Stackable SMB/SME VSC7454-02 VSC7458-02 VSC7459-02
MEF services: ISDX, VSI, ESDX Service statistics (ingress, egress) ISDX selected SDLB policing	x		
Versatile OAM processor (VOP): Hardware OAM processing Port VOEs, service VOEs, path VOEs MIPs and MEPs Y.1564 SAM, SAM sequence OAM COSID and color	x		
MPLS-TP processing (LSR, LER): VCAP CLM keys: SGL_MLBS, DBL_MLBS, TRI_MLBS MPLS TC mapping	x		
Hierarchical QoS and dual-rate shaping	x		
IEEE-1588 and PTP timestamping	x	x	
Stacking: Learn all frames Stacking links Note that the VStaX header is used by all switch families as an internal frame header and when communicating with external CPUs.			x

The following illustration shows an RTL block diagram of the physical blocks in the devices and how the blocks interconnect. The functional aspects of each block is provided in following sections. The grayed-

out blocks represent the VCore-III and DEVCPU blocks. For more information about the VCore-III and DEVCPU blocks, see [VCore-III System and CPU Interfaces](#), page 305.

Figure 3 • Physical Block Diagram



3.1 Register Notations

This datasheet uses the following general register notations.

<TARGET>:<REGISTER_GROUP>:<REGISTER>.<FIELD>

<REGISTER_GROUP> is not always present. In that case the following notation is used:

<TARGET>::<REGISTER>.<FIELD>

When a register group does exist, it is always prepended with a target in the notation.

In sections where only one register is discussed or the target (and register group) is known from the context, the <TARGET>:<REGISTER_GROUP>: may be omitted for brevity leading to the following notation:

<REGISTER>.<FIELD>

When a register contains only one field, the .<FIELD> is not included in the notation.

When referring to a specific instance of a register group, specific register instance, or a specific bit in a field, square brackets are used, for example:

<TARGET>:<REGISTER_GROUP>[<register group instance>]:<REGISTER>.<FIELD>

<TARGET>:<REGISTER_GROUP>:<REGISTER>[<register instance>].<FIELD>

<TARGET>:<REGISTER_GROUP>:<REGISTER>.<FIELD>[<bit number>]

3.2 Frame Headers

This section describes the internal header formats used within the devices that are visible in frames to and from the CPU, NPI port, and in frames exchanged between devices in multichip configurations.

The header formats are internal frame header (IFH) and VStaX header.

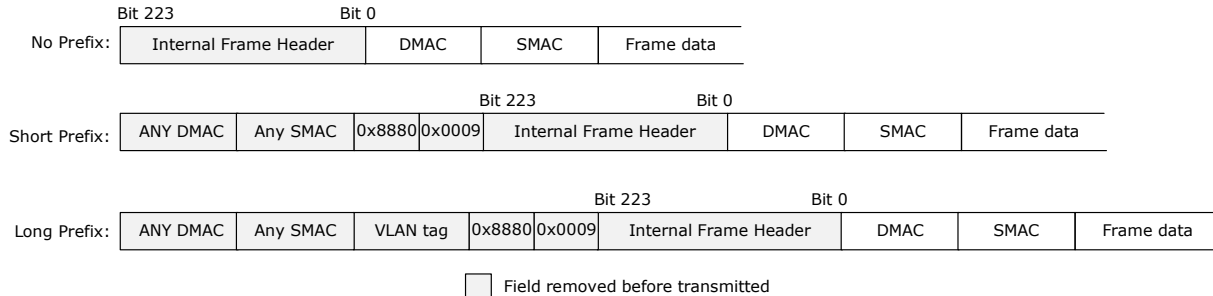
Internal frame header (IFH) IFH is used when extracting frames to CPU and injecting frames from CPU. The IFH can also be inserted into frames transmitted on the NPI port. The IFH includes a VStaX header.

VStaX header The VStaX header can be used for transmission to and from an NPI port.

3.2.1 Internal Frame Header Placement

The following illustration shows internal frame header placement.

Figure 4 • Frame with Internal Frame Header



Frames are injected without prefix from internal CPU or directly attached CPU.

Frames can be injected with a prefix to accommodate CPU injection from a front port (that may be directly attached), controlled by `ASM:CFG:PORT_CFG.INJ_FORMAT_CFG`.

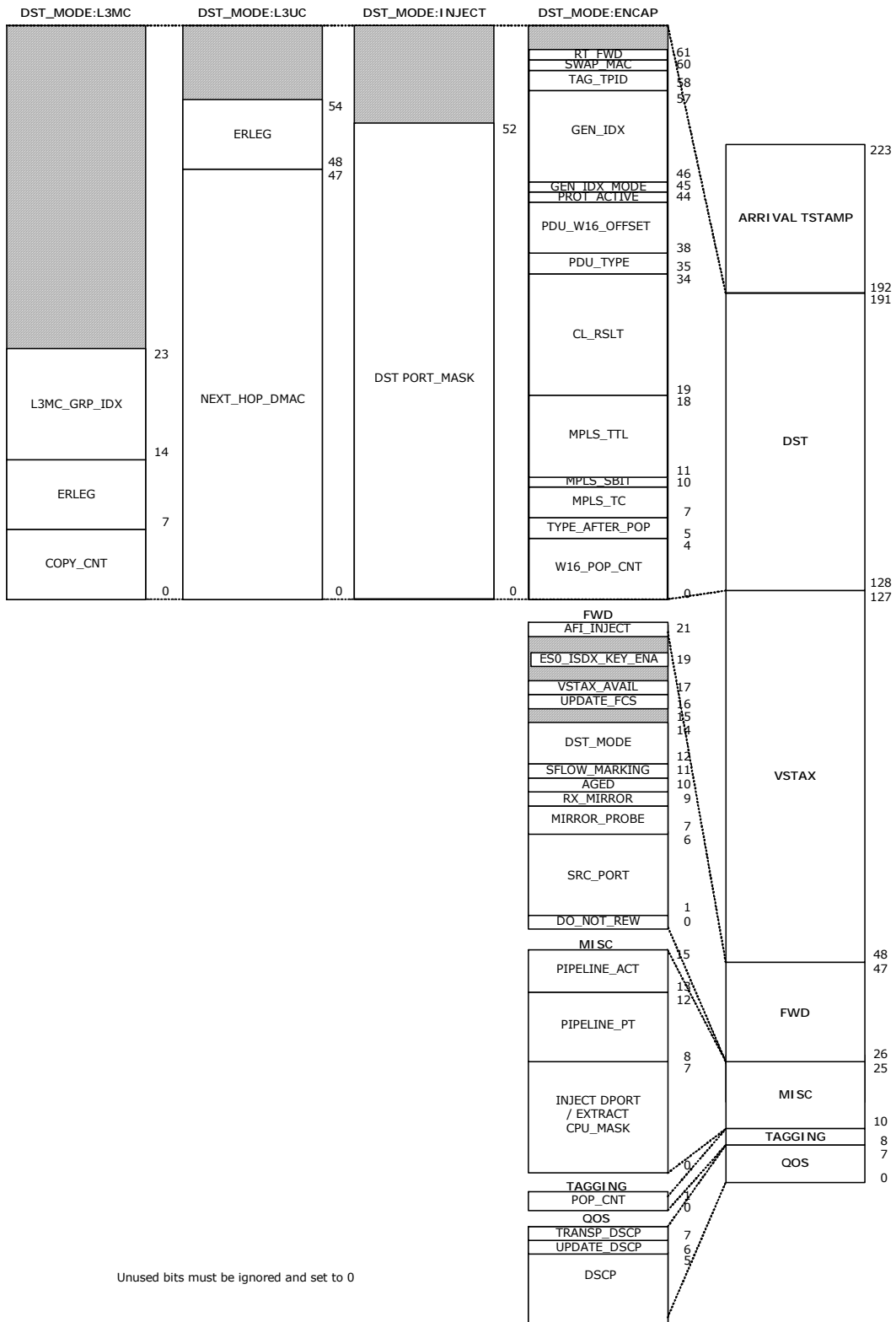
The internal frame header and optional prefix is removed before transmitting the frame on a port. It is only visible to the user when injecting and extracting frames to or from the switch core and optionally when sending/receiving frames using the NPI port.

It is possible to configure a port to transmit frames with internal frame headers using `REW:COMMON:PORT_CTRL.KEEP_IFH_SEL`. It is also possible to only transmit CPU redirected frames with Internal frame headers using `REW:COMMON:GCPU_CFG.GCPU_KEEP_IFH`.

3.2.2 Internal Frame Header Layout

The internal frame header is 28 bytes long. The following illustration shows the layout.

Figure 5 • Internal Frame Header



The following table shows the internal frame header fields, including information whether a field is relevant for injection, extraction, or both.

Table 3 • Internal Frame Header Fields

Field Category	Field Name	Bit	Width	Description
TS	TSTAMP	223:192	32 bits	Arrival time stamp in nanoseconds.
DST when FWD.DST_MODE is INJECT	RSV	191:181	11 bits	Reserved field. Must be set to 0.
	DST_PORT_MASK	180:128	53 bits	Injection destination port mask where each bit representing a physical port (only used for injection).
DST when FWD.DST_MODE is ENCAP	RSV	191:190	2 bits	Reserved field. Must be set to 0.
	RT_FWD	189	1 bit	Update IP4 TTL and chksum/ip6 Hopcnt.
	SWAP_MAC	188	1 bit	Instruct rewriter to swap MAC addresses.
	TAG_TPID	187:186	2 bits	Tag protocol IDs. 0: Standard TPID as specified in VSTAX.TAG.TAG_TYPE. 1: custom1 stag TPID. 2: custom2 stag TPID. 3: custom3 stag TPID.
	RSV	185:184	2 bits	Reserved field. Must be set to 0.
	GEN_IDX	183:174	10 bit	Generic index. VSI when GEN_IDX_MODE = 1.
	GEN_IDX_MODE	173	1 bit	0: Reserved. 1: VSI.
	PROT_ACTIVE	172	1 bit	Protect is active.
	PDU_W16_OFFSET	171:166	6 bits	PDU WORD16 (= 2 bytes) offset from W16_POP_CNT to Protocol data unit (PDU).
	PDU_TYPE	164:162	3 bits	PDU type used to handle OAM, PTP and SAT. 0: None. 1: OAM_Y1731. 2: OAM_MPLS_TP. 3: PTP. 4: IP4_UDP_PTP. 5: IP6_UDP_PTP. 6: Reserved. 7: SAM_SEQ.
	CL_RSLT	162:147	16 bits	Classified MATCH_ID combined from VCAP CLM and VCAP IS2. Used if the frame is forwarded to the CPU.
	MPLS_TTL	146:139	8 bits	TTL value for possible use in MPLS label.
	MPLS_SBIT	138	1 bit	SBIT of last popped MPLS label. for possible use in MPLS label.
	MPLS_TC	137:135	3 bits	TC value for possible use in MPLS label.

Table 3 • Internal Frame Header Fields (continued)

Field Category	Field Name	Bit	Width	Description
DST when FWD.DST_MODE is ENCAP	TYPE_AFTER_POP	134:133	2 bits	0: ETH - Normal Ethernet header, starting with DMAC. 1: CW. First 4 bits: 4: IPv4 header. 6: IPv6 header. Others: MPLS CW (see RFC 4385) 2: MPLS. MPLS shim header follows.
	W16_POP_CNT	132:128	5 bits	Number of WORD16 (= 2 bytes) to be popped by rewriter, starting from beginning of frame.
DST when FWD.DST_MODE is "L3UC" (only used for extraction)	RSV	191:183	9 bits	Reserved field. Must be set to 0.
	ERLEG	182:176	7 bits	Egress router leg.
	NEXT_HOP_DMAC	175:128	48 bits	Next hop DMAC. Only used for unicast routing.
DST when FWD.DST_MODE is "L3MC" (only used for extraction)	RSV	191:152	40 bits	Reserved field. Must be set to 0.
	L3MC_GRP_IDX	151:142	10 bits	IP multicast group used for L3 multicast copies.
	ERLEG	141:135	7 bits	Egress router leg.
	COPY_CNT	134:128	7 bits	Number of multicast routed copies. Only used for multicast routing.
VSTAX		127:48	80 bits	VStaX. See VStaX Header , page 21.

Table 3 • Internal Frame Header Fields (continued)

Field Category	Field Name	Bit	Width	Description
FWD	AFI_INJ	47	1 bit	Injected into AFI.
	RSV	46	1 bit	Reserved field. Must be set to 0.
	ES0_ISDX_KEY_EN A	45	1 bit	Controls use of ISDX in ES0 key.
	RSV	44	1 bit	Reserved field. Must be set to 0.
	VSTAX_AVAIL	43	1 bit	Received by ANA with valid VSTAX section. Extract: Frame received by ANA with valid VSTAX section. Inject: Frame to be forwarded based on VSTAX section.
	UPDATE_FCS	42	1 bit	Forces update of FCS. 0: Does not update FCS. FCS is only updated if frame is modified by hardware. 1: Forces unconditional update of FCS.
	RSV	41	1 bit	Reserved field. Must be set to 0.
	DST_MODE	40:38	3 bits	Controls format of IFH.DST. 0: ENCAP 1: L3UC routing 2: L3MC routing 3: INJECT Others: Reserved
	SFLOW_MARKING	37	1 bit	Frame forwarded to CPU due to sFlow sampling. Only valid for extraction.
	AGED	36	1 bit	Must be set to 0. Set if frame is aged by QSYS. Only valid for extraction.
	RX_MIRROR	35	1 bit	Signals that the frame is Rx mirrored. Only valid for extraction.
	MIRROR_PROBE	34:33	2 bits	Signals mirror probe for mirrored traffic. Only valid for extraction. 0: Not mirrored. 1-3: Mirror probe 0-2.
	SRC_PORT	32:27	6 bits	Physical source port number. May be set by CPU to non-CPU port number to masquerade another port.
	DO_NOT_REW	26	1 bit	Controlled by CPU or ANA_CL:PORT:QOS_CFG.KEEP_ENA and prevents the rewriter from making any changes of frames sent to front ports when set. Only valid for injection.

Table 3 • Internal Frame Header Fields (continued)

Field Category	Field Name	Bit	Width	Description
MISC	PIPELINE_ACT	25:23	3 bits	Pipeline action specifies if a frame is injected, extracted, or discarded. 0: None 1: INJ 2: INJ_MASQ 3: Reserved 4: XTR 5: XTR_UPMEP 6: LBK_ASM 7: LBK_QS
	PIPELINE_PT	22:18	5 bits	Pipeline point specifies the location where a frame is injected, extracted, or discarded. 0: None 1: ANA_VRAP 2: ANA_PORT_VOE 3: ANA_CL 4: ANA_CLM 5: ANA_IPT_PROT 6: ANA_OU_MIP 7: ANA_OU_SW 8: ANA_OU_PROT 9: ANA_OU_VOE 10: ANA_MID_PROT 11: ANA_IN_VOE 12: ANA_IN_PROT 13: ANA_IN_SW 14: ANA_IN_MIP 15: ANA_VLAN 16: ANA_DONE 17: REW_IN_MIP 18: REW_IN_SW 19: RE_IN_VOE 20: REW_OU_VOE 21: REW_OU_SW 22: REW_OU_MIP 23: REW_SAT 24: REW_PORT_VOE 25: REW_VRAP
	CPU_MASK	17:10	8 bits	CPU extraction queue mask.
TAGGING	POP_CNT	9:8	2 bits	Controlled by CPU or ANA_CL:PORT:VLAN_CTRL.VLAN_POP_CNT or CLM VLAN_POP_CNT_ENA and causes the rewriter to pop the signaled number of consecutive VLAN tags. If ENCAP.W16_POP_CNT > 0 and TYPE_AFTER_POP = ETH POP_CNT applies to inner Ethernet layer.

Table 3 • Internal Frame Header Fields (continued)

Field Category	Field Name	Bit	Width	Description
QOS	TRANSP_DSCP	7	1 bit	Controlled by CPU or ANA_CL:PORT:QOS_CFG. DSCP_KEEP_ENA and prevents the rewriter from remapping DSCP values of frames sent to front ports when set.
	UPDATE_DSCP	6	1 bit	Controlled by CPU, ANA_CL:PORT:QOS_CFG DSCP_REWR_MODE_SEL, CLM DSCP_ENA or ANA_CL:MAP_TBL:SET_CTRL.DSCP_ENA and causes the rewriter to update the frame's DSCP value with IFH.QOS.DSCP for frames sent to front ports when set.
	DSCP	5:0	6 bits	DSCP value.

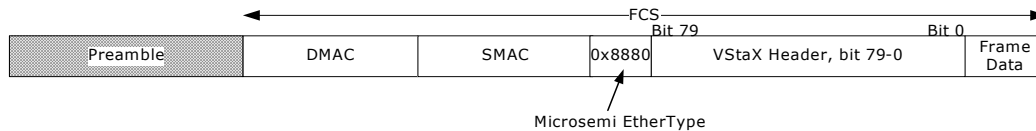
The IFH is only used to control the rewriter on front ports or send to CPU. It is not transmitted with the frame. For CPU ports, the information in the extraction IFH is for reference purposes only.

3.2.3 VStaX Header

When frames are sent to or from the NPI port, or when connecting multiple switches together, an optional VStaX header is inserted into the frames.

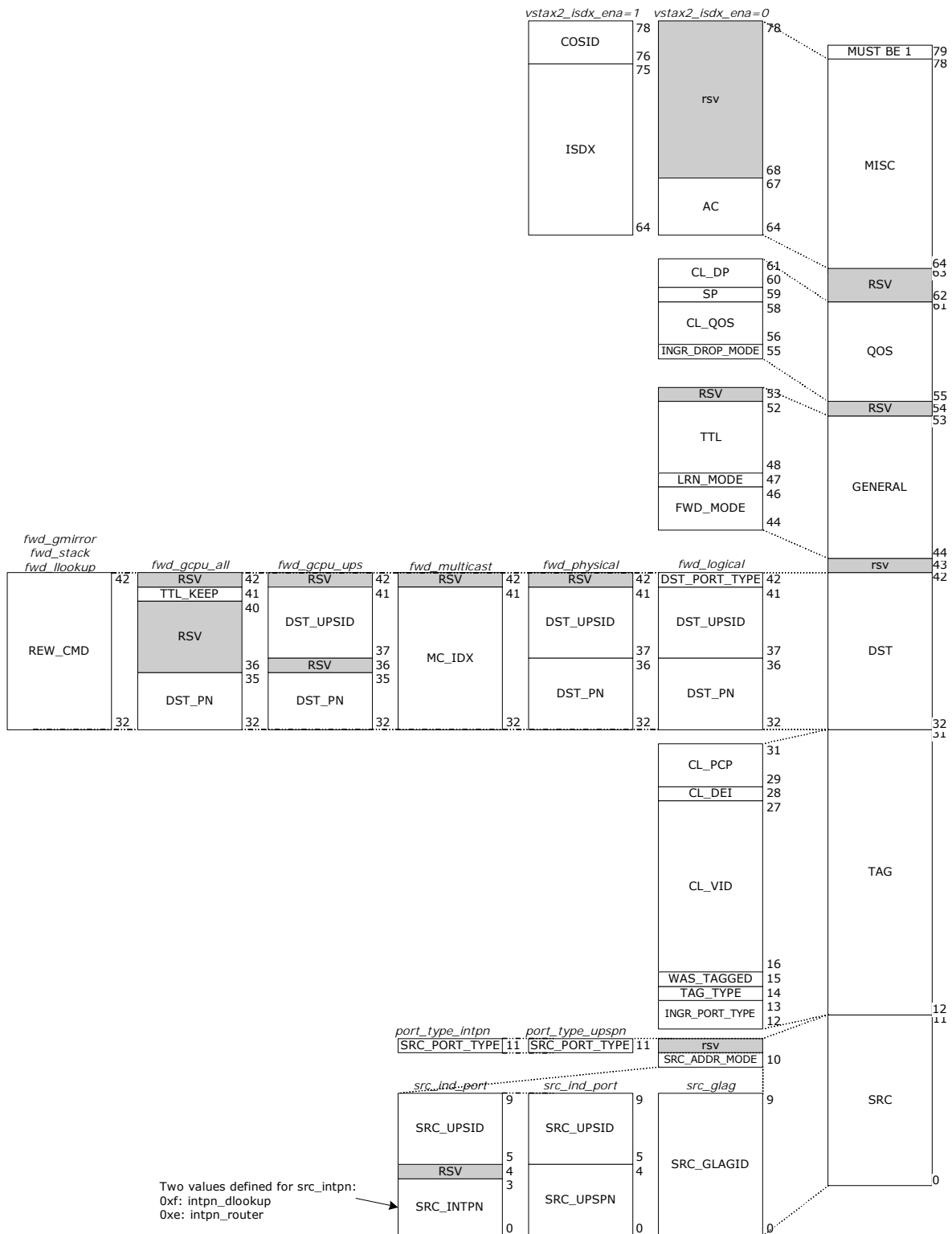
The VStaX header consists of a 10-byte payload and is preceded by 2 bytes for the Microsemi EtherType (0x8880). That is, a total of 12 bytes are inserted into the frame, as shown in the following illustration.

Figure 6 • Frame With VStaX Header



The layout of the 10-byte VStaX header is shown in the following illustration. In VStaX context, each switch in a stack is termed a unit.

Figure 7 • VStaX Header Layout



The following table describes each field in the VStaX header.

Table 4 • VStaX Header Fields

Field Category	Field Name	Bit	Width	Description
Reserved	RSV	79	1 bit	Reserved field. Must be set to 1 when injecting frames and must be checked on extraction.
MISC when ANA_AC:PS_COMMO N.VSTAX2_MISC_ISD X_ENA=1	COSID	78:76	3 bits	Class of service.
	ISDX	75:64	12 bits	Ingress service index.
MISC when ANA_AC:PS_COMMO N.VSTAX2_MISC_ISD X_ENA=0	RSV	78:68	11 bits	Reserved field. Must be set to 0 when injecting frames from CPU and ignored on extraction.
	AC	67:64	4 bits	GLAG aggregation code
Reserved	RSV	63:62	2 bits	Reserved field. Must be set to 0.
QOS	CL_DP	60:61	2 bits	Classified drop precedence level.
	SP	59	1 bit	Super priority. Identifies frames to be forwarded between CPUs of neighboring units, using egress and ingress super priority queues in the assembler and disassembler.
	CL_QOS (IPRIO)	58:56	3 bits	Classified quality of service value (internal priority).
	INGR_DROP_MODE	55	1 bit	Congestion management information. 0: Ingress front port is in flow control mode. 1: Ingress front port is in drop mode.
	RSV	54	1 bit	Reserved field. Must be set to 0.
General	RSV	53	1 bit	Reserved field. Must be set to 0.
	TTL	52:48	5 bits	Time to live.
	LRN_MODE	47	1 bit	0: Normal learning. SMAC and VID of the frame is subject to learning. 1: Skip learning. Do not learn SMAC and VID of the frame.
	FWD_MODE	46:44	3 bits	Forward mode. Encoding: 0x0: FWD_LLOOKUP: Forward using local lookup in every unit. 0x1: FWD_LOGICAL: Forward to logical front port at specific UPS. 0x2: FWD_PHYSICAL: Forward to physical front port at specific UPS. 0x3: FWD_MULTICAST: Forward to ports part of multicast group. 0x4: FWD_GMIRROR: Forward to global mirror port. 0x5: FWD_GCPU_UPS: Forward to GCPU of specific UPS. 0x6: FWD_GCPU_ALL: Forward to all GCPU's. 0x7: Reserved.
Reserved	RSV	43	1 bit	Reserved field. Must be set to 0.

Table 4 • VStaX Header Fields (continued)

Field Category	Field Name	Bit	Width	Description
VSTAX.DST when VSTAX.FWD_MODE is FWD_LLOOKUP or FWD_GMIRROR	REW_CMD	42:32	11 bits	VCAP IS2 action REW_CMD.
VSTAX.DST when VSTAX.FWD_MODE is FWD_LOGICAL	DST_PORT_TYPE	42	1 bit	Destination port type. Encoding: 0: Front port 1: Internal port
	DST_UPSID	41:37	5 bits	Destination unit port set ID.
	DST_PN	36:32	5 bits	Logical destination port at unit identified by dst_upsid.
VSTAX.DST when VSTAX.FWD_MODE is FWD_PHYSICAL	RSV	42	1 bit	Reserved field. Must be set to 0.
	DST_UPSID	41:37	5 bits	Destination unit port set ID.
	DST_PN	36:32	5 bits	Physical destination port at unit identified by dst_upsid.
VSTAX.DST when VSTAX.FWD_MODE is FWD_MULTICAST	RSV	42	1 bit	Reserved field. Must be set to 0.
	MC_IDX	41:32	10 bits	Forward to ports part of this multicast group index.
VSTAX.DST when VSTAX.FWD_MODE is FWD_GCPU_UPS	RSV	42	1 bit	Reserved field. Must be set to 0.
	DST_UPSID	41:37	5 bits	Destination unit port set ID.
	RSV	36	1 bit	Reserved field. Must be set to 0.
	DST_PN	35:32	4 bits	CPU destination port at unit identified by dst_upsid.
VSTAX.DST when VSTAX.FWD_MODE is FWD_GCPU_ALL	RSV	42	1 bit	Reserved field. Must be set to 0.
	TTL_KEEP	41	1 bit	Special TTL handling used for neighbor discovery.
	RSV	40:36	5 bits	Reserved field. Must be set to 0.
	DST_PN	35:32	4 bits	CPU destination port at unit identified by dst_upsid.
TAG	CL_PCP	31:29	3 bits	Classified priority code point value.
	CL_DEI	28	1 bit	Classified drop eligible indicator value.
	CL_VID	27:16	12 bits	Classified VID.
	WAS_TAGGED	15	1 bit	If set, frame was VLAN-tagged at reception.
	TAG_TYPE	14	1 bit	Tag type. 0: C-tag (EtherType 0x8100). 1: S-tag (EtherType 0x88A8).
	INGR_PORT_TYPE	13:12	2 bits	Ingress ports type for private VLANs/Asymmetric VLANs. 00: Promiscuous port. 01: Community port. 10: Isolated port.

Table 4 • VStaX Header Fields (continued)

Field Category	Field Name	Bit	Width	Description
SRC	SRC_ADDR_MODE	10	1 bit	0: src_ind_port: Individual port. Source consists of src_upsid and src_upspn. 1: src_glag: Source consists of src_glag.
	SRC_PORT_TYPE	11	1 bit	Only applicable if src_addr_mode==src_ind_port. Reserved and must be set to 0 if src_addr_mode==src_glag. 0: port_type_upspn. 1: port_type_intpn.
	SRC_UPSID	9:5	5 bits	If src_addr_mode = src_ind_port: ID of stack unit port set, where the frame was initially received.
	SRC_UPSPN	4:0	5 bits	If src_addr_mode = src_ind_port and src_port_type = port_type_upspn: Logical port number of the port (on source ups), where the frame was initially received.
	SRC_INTPN	3:0	4 bits	If src_addr_mode = src_ind_port and src_port_type = port_type_intpn: Internal port number.
	SRC_GLAGID	0	5 bits	If src_addr_mode = src_glag: ID of the GLAG.

3.3 Port Numbering and Mappings

The switch core contains an internal port numbering domain where ports are numbered from 0 through 56. A port connects to a port module, which connects to SERDES macro, which connects to I/O pins on the VSC7442-02, VSC7444-02, VSC7448-02, and VSC7449-02 devices. The port modules are DEV1G, DEV2G5, or DEV10G. The interface macros are SERDES1G, SERDES6G, or SERDES10G.

Some ports are internal to the devices and do not connect to port modules or SERDES macros. For example, internal ports are used for frame injection and extraction to the CPU queues.

The connections from ports to port modules to interface macros are flexible and depend on configurations of quad SGMII (QSGMII) modes and 10G modes. This section describes the mappings from port numbers to port modules, SERDES macros, and I/O pins, as well as the configurations associated with these mappings.

The following table shows the default port numbering and how the ports map to port modules and interface macros.

Table 5 • Default Port Numbering and Port Mappings

Port Number	Port Module VSC7442-02	Port Module VSC7444-02	Port Module VSC7448-02	Port Module VSC7449-02	SERDES Macro
0		DEV1G_0	DEV1G_0	DEV1G_0	SERDES1G_1
1		DEV1G_1	DEV1G_1	DEV1G_1	SERDES1G_2
2		DEV1G_2	DEV1G_2	DEV1G_2	SERDES1G_3
3		DEV1G_3	DEV1G_3	DEV1G_3	SERDES1G_4
4		DEV1G_4	DEV1G_4	DEV1G_4	SERDES1G_5
5		DEV1G_5	DEV1G_5	DEV1G_5	SERDES1G_6
6		DEV1G_6	DEV1G_6	DEV1G_6	SERDES1G_7

Table 5 • Default Port Numbering and Port Mappings (continued)

Port Number	Port Module VSC7442-02	Port Module VSC7444-02	Port Module VSC7448-02	Port Module VSC7449-02	SERDES Macro
7		DEV1G_7	DEV1G_7	DEV1G_7	SERDES1G_8
8		DEV2G5_0	DEV2G5_0	DEV2G5_0	SERDES6G_0
9		DEV2G5_1	DEV2G5_1	DEV2G5_1	SERDES6G_1
10		DEV2G5_2	DEV2G5_2	DEV2G5_2	SERDES6G_2
11		DEV2G5_3	DEV2G5_3	DEV2G5_3	SERDES6G_3
12	DEV2G5_4	DEV2G5_4	DEV2G5_4	DEV2G5_4	SERDES6G_4
13	DEV2G5_5	DEV2G5_5	DEV2G5_5	DEV2G5_5	SERDES6G_5
14	DEV2G5_6	DEV2G5_6	DEV2G5_6	DEV2G5_6	SERDES6G_6
15	DEV2G5_7	DEV2G5_7	DEV2G5_7	DEV2G5_7	SERDES6G_7
16	DEV2G5_8	DEV2G5_8	DEV2G5_8	DEV2G5_8	SERDES6G_8
17	DEV2G5_9	DEV2G5_9	DEV2G5_9	DEV2G5_9	SERDES6G_9
18	DEV2G5_10	DEV2G5_10	DEV2G5_10	DEV2G5_10	SERDES6G_10
19	DEV2G5_11	DEV2G5_11	DEV2G5_11	DEV2G5_11	SERDES6G_11
20	DEV2G5_12	DEV2G5_12	DEV2G5_12	DEV2G5_12	SERDES6G_12
21	DEV2G5_13	DEV2G5_13	DEV2G5_13	DEV2G5_13	SERDES6G_13
22	DEV2G5_14	DEV2G5_14	DEV2G5_14	DEV2G5_14	SERDES6G_14
23	DEV2G5_15	DEV2G5_15	DEV2G5_15	DEV2G5_15	SERDES6G_15
24		DEV2G5_16	DEV2G5_16	DEV2G5_16	SERDES6G_16
25		DEV2G5_17	DEV2G5_17	DEV2G5_17	SERDES6G_17
26		DEV2G5_18	DEV2G5_18	DEV2G5_18	SERDES6G_18
27		DEV2G5_19	DEV2G5_19	DEV2G5_19	SERDES6G_19
28		DEV2G5_20	DEV2G5_20	DEV2G5_20	SERDES6G_20
29		DEV2G5_21	DEV2G5_21	DEV2G5_21	SERDES6G_21
30		DEV2G5_22	DEV2G5_22	DEV2G5_22	SERDES6G_22
31		DEV2G5_23	DEV2G5_23	DEV2G5_23	SERDES6G_23
48 (NPI)	DEV2G5_24	DEV2G5_24	DEV2G5_24	DEV2G5_24	SERDES1G_0
49	DEV2G5_25	DEV10G_0	DEV10G_0	DEV10G_0	SERDES10G_0
50	DEV2G5_26	DEV10G_1	DEV10G_1	DEV10G_1	SERDES10G_1
51	DEV2G5_27		DEV10G_2	DEV10G_2	SERDES10G_2
52	DEV2G5_28		DEV10G_3	DEV10G_3	SERDES10G_3
53 (CPU0)	No port module	No port module	No port module	No port module	No SERDES
54 (CPU1)	No port module	No port module	No port module	No port module	No SERDES
55 (VD0)	No port module	No port module	No port module	No port module	No SERDES
56 (VD1)	No port module	No port module	No port module	No port module	No SERDES

Ports 32 through 47 do not connect to SERDES macros in the default configuration. They are only connected when QSGMII is enabled.

Ports 53 through 56 are internal ports are defined as follows:

- Port 53 and port 54: CPU port 0 and 1 (CPU0, CPU1) are used for injection and extraction of frames.
- Port 55: Virtual device 0 (VD0) is used for multicast routing.
- Port 56: Virtual device 1 (VD1) is used for AFI frame injections.

The internal ports do not have associated port modules and interface macros.

3.3.1 SERDES Macro to I/O Pin Mapping

The following table shows the fixed mapping from SERDES macros to the device I/O pins.

Table 6 • SERDES Macro to I/O Pin Mapping

SERDES Macros	I/O Pin Names
SERDES1G_0 to SERDES1G_8	S0_T/RXN, S0_RXP, S0_TXN, S0_TXP - S8_RXN, S8_RXP, S8_TXN, S8_TXP
SERDES6G_0 to SERDES6G_23	S9_RXN, S9_RXP, S9_TXN, S9_TXP - S32_RXN, S32_RXP, S32_TXN, S32_TXP
SERDES10G_0 to SERDES10G_3	S33_RXN, S33_RXP, S33_TXN, S33_TXP - S36_RXN, S36_RXP, S36_TXN, S36_TXP

3.3.2 Supported Port Interfaces

The devices support a range of physical port interfaces. The following table lists the interfaces supported by the SERDES macros, as well as standards, data rates, connectors, medium, and coding for each port interface.

In the functional descriptions, XAUI refers to any of the four-lane 10G modes, and SFI refers to any of the serial 10G modes, unless noted.

Table 7 • Supported Port Interfaces

Port Interface	Specification	Port Speed	Data Rate	Connector	Medium	Coding	SERDES1G	SERDES6G	SERDES10G ⁽¹⁾
100BASE-FX	IEEE 802.3, Clause 24	100M	125 Mbps	SFP	PCB	4B5B	x	x	x
SGMII	Cisco	1G	1.25 Gbps		PCB	8B10B	x	x	x
SFP	SFP-MSA	1G	1.25 Gbps	SFP	PCB	8B10B	x	x	x
1000BASE-KX	IEEE802.3, Clause 70	1G	1.25 Gbps		PCB, backplane	8B10B	x	x	x
2.5G	Proprietary (aligned to SFP)	2.5G	3.125 Gbps		PCB	8B10B		x	x
QSGMII	Cisco	5G	5 Gbps		PCB	8B10B			x
XAUI	IEEE 802.3, Clause 47	10G	4 × 3.125 Gbps		PCB, backplane	8B10B			x
10GBASE-CX4	IEEE 802.3, Clause 54	10G	4 × 3.125 Gbps	XENPAK	Cable	8B10B			x
10GBASE-KX4	IEEE 803.3, Clause 71	10G	4 × 3.125 Gbps		PCB, backplane	8B10B			x
RXAUI	CEI-OIF 6G-SR	10G	2 × 6.25 Gbps		PCB, backplane	8B10B			x
10GBASE-KR	IEEE 802.3, Clause 72	10G	1 × 10.3125 Gbps		PCB, backplane	64B66B			x

Table 7 • Supported Port Interfaces (continued)

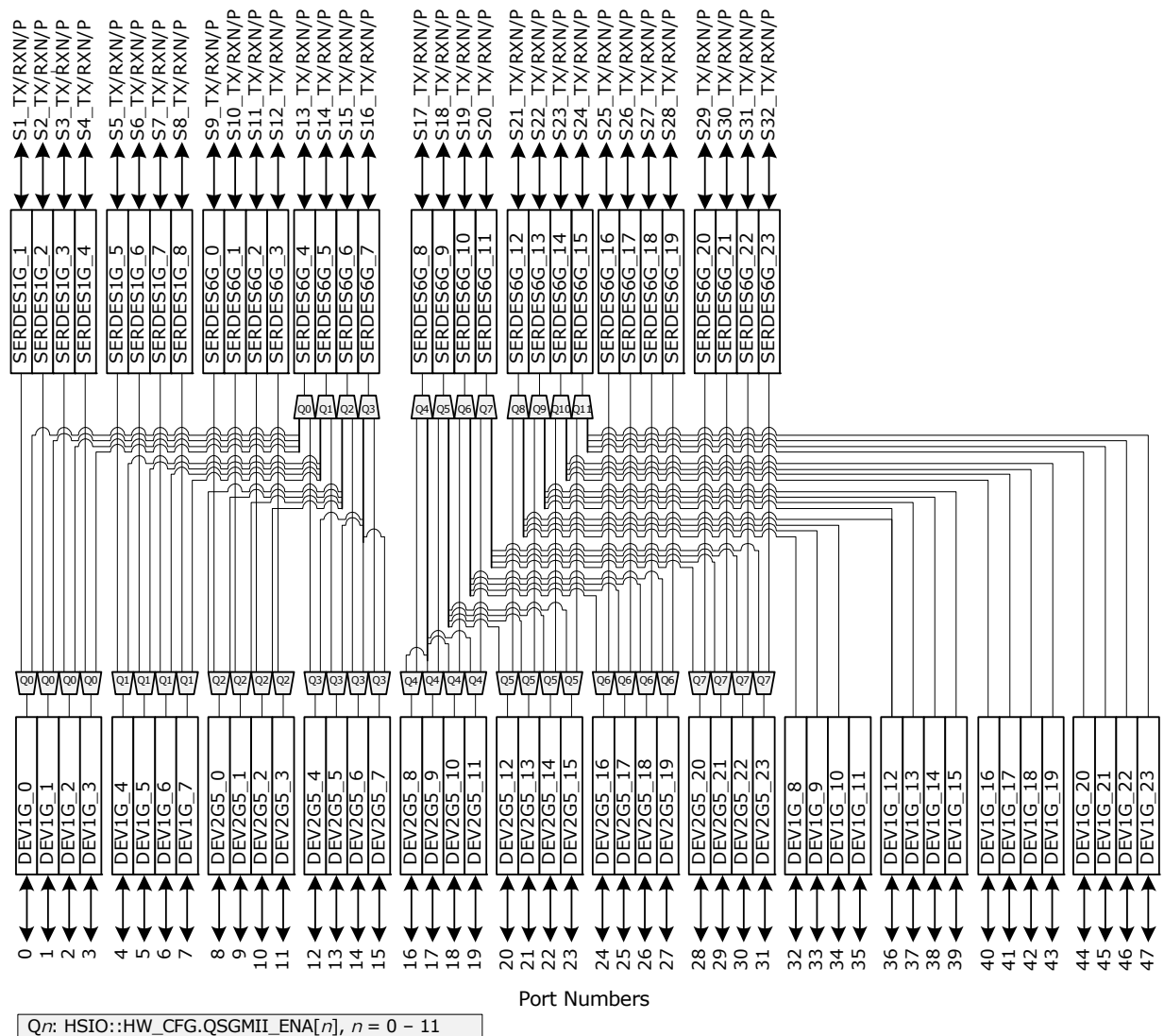
Port Interface	Specification	Port Speed	Data Rate	Connector	Medium	Coding	SERDES1G	SERDES6G	SERDES10G ⁽¹⁾
SFP+(SFI)	SFF-8431: Direct Attached Cu IEEE 802.3, Clause 52 - LAN	10G	1 x 10.3125 Gbps 1 x 10.3125 Gbps	SFP+	PCB, cable	64B66B			x

1. For VSC7442-02, SERDES10G supports only up to 1 Gbps.

3.3.3 QSGMII

Up to 12 of the SERDES6G macros can be configured QSGMII. This is enabled in HSIO::HW_CFG.QSGMII_ENA per macro. When QSGMII is enabled for a SERDES6G macro, four port modules are associated with the SERDES macro to form a QSGMII port with four 1G ports. The I/O muxing related to QSGMII is shown in the following illustration.

Figure 8 • QSGMII Muxing



The following table lists which ports, port modules, and SERDES macros are associated with each QSGMII instance for the devices. Note that when a SERDES block is enabled for QSGMII, the default port connections are removed. For example, if SERDES6G_4 is enabled for QSGMII, then port modules DEV1G_0 through DEV1G_3 connect to SERDES6G_4, and the default connection from port 12 to SERDES6G_4 through DEV2G5_4 is removed.

Table 8 • QSGMII Configurations

QSGMII Number	Port Numbers	Port Modules VSC7442-02	Port Modules VSC7444-02	Port Modules VSC7448-02	Port Modules VSC7449-02	SERDES Macro
0	0–3	DEV1G_0 to DEV1G_3	DEV1G_0 to DEV1G_3	DEV1G_0 to DEV1G_3	DEV1G_0 to DEV1G_3	SERDES6G_4
1	4–7	DEV1G_4 to DEV1G_7	DEV1G_4 to DEV1G_7	DEV1G_4 to DEV1G_7	DEV1G_4 to DEV1G_7	SERDES6G_5
2	8–11	DEV2G5_0 to DEV2G5_3	DEV2G5_0 to DEV2G5_3	DEV2G5_0 to DEV2G5_3	DEV2G5_0 to DEV2G5_3	SERDES6G_6

Table 8 • QSGMII Configurations (continued)

QSGMII Number	Port Numbers	Port Modules VSC7442-02	Port Modules VSC7444-02	Port Modules VSC7448-02	Port Modules VSC7449-02	SERDES Macro
3	12–15	DEV2G5_4 to DEV2G5_7	DEV2G5_4 to DEV2G5_7	DEV2G5_4 to DEV2G5_7	DEV2G5_4 to DEV2G5_7	SERDES6G_7
4	16–19	DEV2G5_8 to DEV2G5_11	DEV2G5_8 to DEV2G5_11	DEV2G5_8 to DEV2G5_11	DEV2G5_8 to DEV2G5_11	SERDES6G_8
5	20–23	DEV2G5_12 to DEV2G5_15	DEV2G5_12 to DEV2G5_15	DEV2G5_12 to DEV2G5_15	DEV2G5_12 to DEV2G5_15	SERDES6G_9
6	24–27	DEV2G5_16 to DEV2G5_19		DEV2G5_16 to DEV2G5_19	DEV2G5_16 to DEV2G5_19	SERDES6G_10
7	28–31	DEV2G5_20 to DEV2G5_23		DEV2G5_20 to DEV2G5_23	DEV2G5_20 to DEV2G5_23	SERDES6G_11
8	32–35	DEV1G_8 to DEV1G_11		DEV1G_8 to DEV1G_11	DEV1G_8 to DEV1G_11	SERDES6G_12
9	36–39	DEV1G_12 to DEV1G_15		DEV1G_12 to DEV1G_15	DEV1G_12 to DEV1G_15	SERDES6G_13
10	40–43	DEV1G_16 to DEV1G_19		DEV1G_16 to DEV1G_19	DEV1G_16 to DEV1G_19	SERDES6G_14
11	44–47	DEV1G_20 to DEV1G_23		DEV1G_20 to DEV1G_23	DEV1G_20 to DEV1G_23	SERDES6G_15

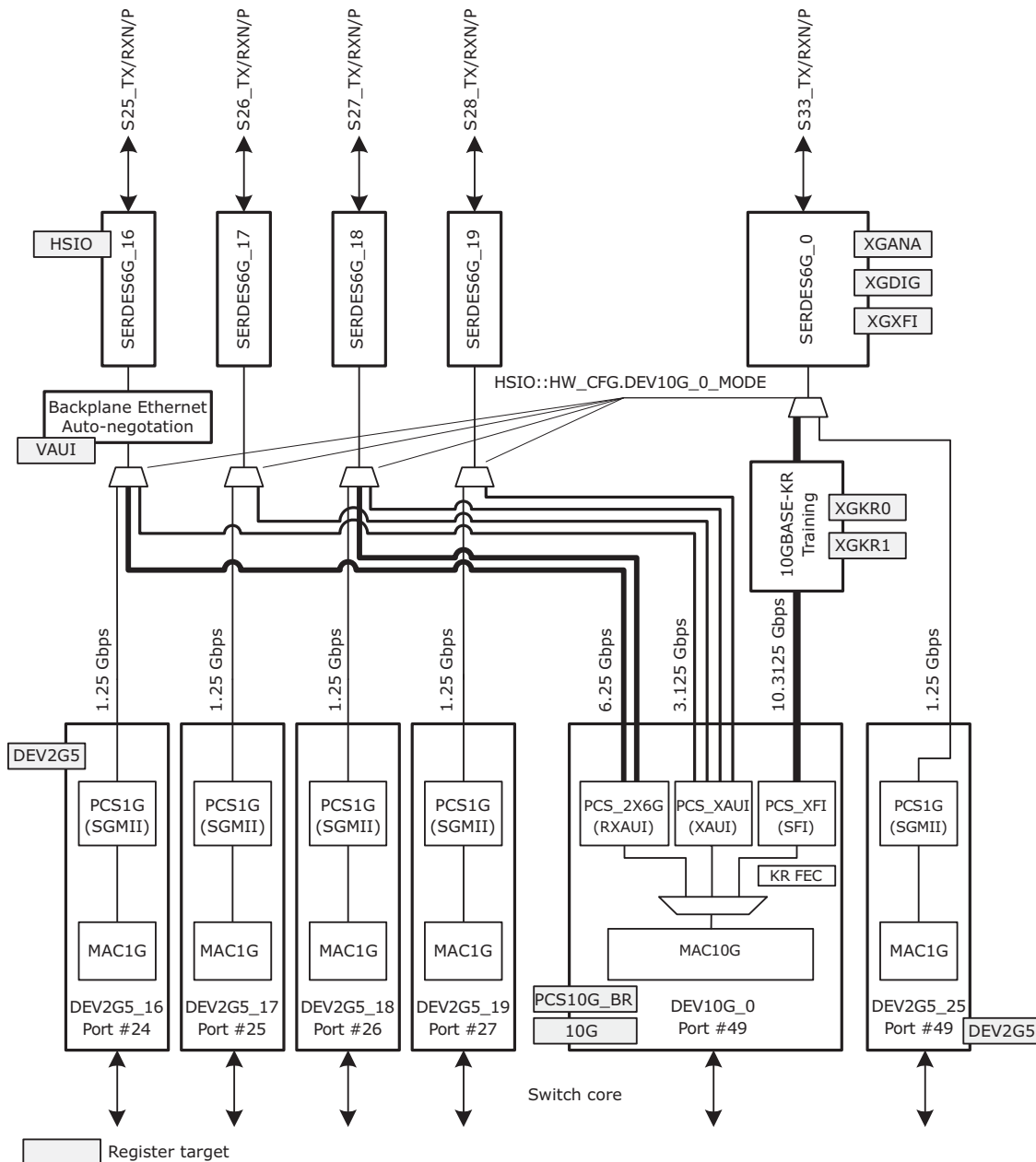
3.3.4 10G Modes

The 10G ports can be used in four different modes:

- **SFI mode** The 10G port connects to a SERDES10G macro through a DEV10G port module enabling 10G SFI.
- **XAUI mode** The 10G port connects to four SERDES6G macro through a DEV10G port module enabling four-lane XAUI.
- **RXAUI mode** The 10G port connects to two SERDES6G macro through a DEV10G port module enabling two-lane RXAUI.
- **1G/2.5G mode** The 10G port connects to a SERDES10G macro through a DEV2G5 port module enabling 1G and 2.5G port speeds.

The 10G modes are configurable per 10G port through HSIO::HW_CFG. The following illustration shows an overview of the I/O muxing, associated port modules, and SERDES macros for one of the four 10G ports. The muxing is similar for the remaining three 10G ports. For more information, see [Table 9](#), page 31.

Figure 9 • 10G Muxing



The following table shows how the 10G ports connect to port modules and to SERDES macros for the different modes. Note that the XAUI and RXAUI 10G modes overrule the default port connections for the associated SERDES6G macros.

Table 9 • 10G Modes

10G Mode	Port Number	Port Module VSC7442-02	Port Module VSC7444-02	Port Module VSC7448-02	Port Module VSC7449-02	SERDES Macros
SFI	49		DEV10G_0	DEV10G_0	DEV10G_0	SERDES10G_0
	50		DEV10G_1	DEV10G_1	DEV10G_1	SERDES10G_1
	51			DEV10G_2	DEV10G_2	SERDES10G_2
	52			DEV10G_3	DEV10G_3	SERDES10G_3

Table 9 • 10G Modes (continued)

10G Mode	Port Number	Port Module VSC7442-02	Port Module VSC7444-02	Port Module VSC7448-02	Port Module VSC7449-02	SERDES Macros
XAUI	49		DEV10G_0	DEV10G_0	DEV10G_0	SERDES6G_16 to SERDES6G_19
	50		DEV10G_1	DEV10G_1	DEV10G_1	SERDES6G_20 to SERDES6G_23
	51			DEV10G_2	DEV10G_2	SERDES6G_8 to SERDES6G_11
	52			DEV10G_3	DEV10G_3	SERDES6G_12 to SERDES6G_15
RXAUI	49		DEV10G_0	DEV10G_0	DEV10G_0	SERDES6G_16, SERDES6G_18
	50		DEV10G_1	DEV10G_1	DEV10G_1	SERDES6G_20, SERDES6G_22
	51			DEV10G_2	DEV10G_2	SERDES6G_8, SERDES6G_10
	52			DEV10G_3	DEV10G_3	SERDES6G_12, SERDES6G_14
1G/2.5G	49	DEV2G5_25	DEV2G5_25	DEV2G5_25	DEV2G5_25	SERDES10G_0
	50	DEV2G5_26	DEV2G5_26	DEV2G5_26	DEV2G5_26	SERDES10G_1
	51	DEV2G5_27		DEV2G5_27	DEV2G5_27	SERDES10G_2
	52	DEV2G5_28		DEV2G5_28	DEV2G5_28	SERDES10G_3

For more information about the mapping from SERDES macros to I/O pins, see [SERDES Macro to I/O Pin Mapping](#), page 27.

3.3.5 VSC7442-02 Port Numbering and Port Mappings

VSC7442-02 has the following I/O constraints that must be obeyed when selecting port configurations:

- Maximum of 52 ports excluding the 1G NPI port
- Maximum of 52 Gbps total bandwidth excluding the 1G NPI port

The following table lists the available ports, port modules, and SERDES macros for VSC7442-02.

Table 10 • VSC7442-02 Port Numbering and Port Mappings

Port Numbers	Port Modules	SERDES Macros	Comments
0–47	DEV1G_0 to DEV1G_7 DEV2G5_0 to DEV2G5_23 DEV1G_8 to DEV1G_23	SERDES6G_4 to SERDES6G_15	QSGMII ports
48	DEV2G5_24	SERDES1G_0	1G NPI port
49–52	DEV2G5_25 to DEV2G5_28	SERDES10G_0 to SERDES10G_3	1G SGMII ports
53–54	No port module	No port module	CPU ports
55	No port module	No port module	Virtual device 0 used for IP multicasting
56	No port module	No port module	Virtual device 1 used for AFI frame injections

3.3.6 VSC7444-02 Port Numbering and Port Mappings

VSC7444-02 has the following I/O constraints that must be obeyed when selecting port configurations:

- Maximum of 26 ports excluding the 1G NPI port.
- Maximum of 60 Gbps total bandwidth excluding the 1G NPI port.
- Maximum of 16 × 2.5G ports.

The following table lists the available ports, port modules, and SERDES macros for VSC7444-02.

Table 11 • VSC7444-02 Port Numbering and Port Mappings

Port Numbers	Port Modules	SERDES Macros	Comments
0–7	DEV1G_0 to DEV1G_7	SERDES1G_1 to SERDES1G_8	1G ports
8–23	DEV2G5_0 to DEV2G5_15	SERDES6G_0 to SERDES6G_15	1G or 2.5G ports QSGMII can be enabled for SERDES6G_4 to SERDES6G_9
48	DEV2G5_24	SERDES1G_0	1G NPI port
49–50	DEV10G_0 to DEV10G_1	SERDES10G_0 to SERDES10G_1	10G ports used in SFI mode
	DEV10G_0 to DEV10G_1	SERDES6G_16 to SERDES6G_23	10G ports used in XAUI mode
	DEV10G_0 to DEV10G_1	SERDES6G_16, SERDES6G_18, SERDES6G_20, SERDES6G_22	10G ports used in RXAUI mode
	DEV2G5_25 to DEV2G5_26	SERDES10G_0 to SERDES10G_1	10G ports used in 1G/2.5G mode
53–54	No port module	No port module	CPU ports
55	No port module	No port module	Virtual device 0 used for IP multicasting
56	No port module	No port module	Virtual device 1 used for AFI frame injections

3.3.7 VSC7448-02 Port Numbering and Port Mappings

VSC7448-02 has a maximum of 80 Gbps total bandwidth, excluding the 1G NPI port. This I/O constraint must be obeyed when selecting port configurations:

The following table lists the available ports, port modules, and SERDES macros for VSC7448-02.

Table 12 • VSC7448-02 Port Numbering and Port Mappings

Port Numbers	Port Modules	SERDES Macros	Comments
0–7	DEV1G_0 to DEV1G_7	SERDES1G_1 to SERDES1G_8	1G ports.
8–31	DEV2G5_0 to DEV2G5_23	SERDES6G_0 to SERDES6G_23	1G or 2.5G ports. All 24 ports can be used for 2.5G. QSGMII can be enabled for SERDES6G_4 to SERDES6G_15.
32–47	DEV1G_8 to DEV1G_23		1G ports used when QSGMII is enabled.
48	DEV2G5_24	SERDES1G_0	1G NPI port.

Table 12 • VSC7448-02 Port Numbering and Port Mappings (continued)

Port Numbers	Port Modules	SERDES Macros	Comments
49–50	DEV10G_0 to DEV10G_1	SERDES10G_0 to SERDES10G_1	10G ports used in SFI mode.
	DEV10G_0 to DEV10G_1	SERDES6G_16 to SERDES6G_23	10G ports used in XAUI mode.
	DEV10G_0 to DEV10G_1	SERDES6G_16, SERDES6G_18, SERDES6G_20, SERDES6G_22	10G ports used in RXAUI mode.
	DEV2G5_25 to DEV2G5_26	SERDES10G_0 to SERDES10G_1	10G ports used in 1G/2.5G mode.
51–52	DEV10G_2 to DEV10G_3	SERDES10G_2 to SERDES10G_3	10G ports used in SFI mode.
	DEV10G_2 to DEV10G_3	SERDES6G_8 to SERDES6G_15	10G ports used in XAUI mode.
	DEV10G_2 to DEV10G_3	SERDES6G_8, SERDES6G_10, SERDES6G_12, SERDES6G_14	10G ports used in RXAUI mode.
	DEV2G5_27 to DEV2G5_28	SERDES10G_2 to SERDES10G_3	10G ports used in 1G/2.5G mode.
53–54	No port module	No port module	CPU ports.
55	No port module	No port module	Virtual device 0 used for IP multicasting.
56	No port module	No port module	Virtual device 1 used for AFI frame injections.

3.3.8 VSC7449-02 Port Numbering and Port Mappings

VSC7449-02 has a maximum of 90 Gbps total bandwidth, excluding the 1G NPI port. This I/O constraint must be obeyed when selecting port configurations.

The following table lists the available ports, port modules, and SERDES macros for VSC7449-02.

Table 13 • VSC7449-02 Port Numbering and Port Mappings

Port Numbers	Port Modules	SERDES Macros	Comments
0–7	DEV1G_0 to DEV1G_7	SERDES1G_1 to SERDES1G_8	1G ports.
8–31	DEV2G5_0 to DEV2G5_23	SERDES6G_0 to SERDES6G_23	1G or 2.5G ports. All 24 ports can be used for 2.5G. QSGMII can be enabled for SERDES6G_4 to SERDES6G_15.
32–47	DEV1G_8 to DEV1G_23		1G ports used when QSGMII is enabled.
48	DEV2G5_24	SERDES1G_0	1G NPI port.

Table 13 • VSC7449-02 Port Numbering and Port Mappings (continued)

Port Numbers	Port Modules	SERDES Macros	Comments
49–50	DEV10G_0 to DEV10G_1	SERDES10G_0 to SERDES10G_1	10G ports used in SFI mode.
	DEV10G_0 to DEV10G_1	SERDES6G_16 to SERDES6G_23	10G ports used in XAUI mode.
	DEV10G_0 to DEV10G_1	SERDES6G_16, SERDES6G_18, SERDES6G_20, SERDES6G_22	10G ports used in RXAUI mode.
	DEV2G5_25 to DEV2G5_26	SERDES10G_0 to SERDES10G_1	10G ports used in 1G/2.5G mode.
51–52	DEV10G_2 to DEV10G_3	SERDES10G_2 to SERDES10G_3	10G ports used in SFI mode.
	DEV10G_2 to DEV10G_3	SERDES6G_8 to SERDES6G_15	10G ports used in XAUI mode.
	DEV10G_2 to DEV10G_3	SERDES6G_8, SERDES6G_10, SERDES6G_12, SERDES6G_14	10G ports used in RXAUI mode.
	DEV2G5_27 to DEV2G5_28	SERDES10G_2 to SERDES10G_3	10G ports used in 1G/2.5G mode.
53–54	No port module	No port module	CPU ports.
55	No port module	No port module	Virtual device 0 used for IP multicasting.
56	No port module	No port module	Virtual device 1 used for AFI frame injections.

3.3.9 Logical Port Numbers

In many instances, the analyzer and the rewriter use a logical port number. For example, when link aggregation is enabled, all ports within a link aggregation group must be configured to use the physical port number of the port with the lowest port number within the group as logical port group ID. The mapping to a logical port number is configured in ANA_CL:PORT:PORT_ID_CFG.LPORT_NUM and REW::PORT_CTRL.ES0_LPORT_NUM.

3.4 SERDES1G

The SERDES1G is a high-speed SerDes interface that can operate at 1.25 Gbps (SGMII/SerDes, 1000BASE-KX). In addition, 100 Mbps (100BASE-FX) is supported by oversampling.

The SERDES1G supports the configuration of several parameters for increased performance in the specific application environment. The features include:

- Baudrate support 1.25 Gbps
- Programmable loop bandwidth and phase regulation behavior for clock and data recovery unit (CDR)
- Input buffer (IB) and output buffer (OB) configurations supporting:
 - IB Signal Detect/Loss of Signal (LOS) options
 - IB equalization (including corner frequency configuration)
 - OB selectable de-emphasis
 - OB amplitude drive levels
 - OB slew rate control

3.5 SERDES6G

The SERDES6G is a high-speed SerDes interface, which can operate at the following data rates.

- 1.25 Gbps (SGMII/SerDes 1000BASE-KX)

- 2.5 Gbps
- 3.125 Gbps (SerDes-lane-bitrate of a multilane aggregate; for example, XAUI, 10GBASE-KX4, or 10GBASE-CX4)
- 5 Gbps (QSGMII)
- 6.25 Gbps (SerDes-lane-bit rate of a double-data rate XAUI/RXAUI multilane aggregate)
- 100 Mbps (100BASE-FX) is supported by oversampling.

The SERDES6G supports the configuration of several parameters for increased performance in the specific application environment. Features include:

- Configurable baud rate support from 1.25 Gbps to 6.25 Gbps.
- Programmable loop bandwidth and phase regulation behavior for clock and data recovery unit (CDR)
- Phase-synchronization of transmitter when used in multilane aggregates for low skew between lanes
- Input buffer (IB) and output buffer (OB) configurations supporting:
 - IB signal detect and loss of signal (LOS) options
 - IB adaptive equalization
 - OB programmable de-emphasis, 3 taps
 - OB amplitude drive levels
 - OB slew rate control
- Loopbacks for system diagnostics

3.6 SERDES10G

The SERDES10G is a high-speed SERDES interface, which can operate from 1.25 Gbps up to 11.5 Gbps. Due to its frequency synthesizer any data rate between the limits above are supported. 100 Mbps (100BASE-FX) is supported by oversampling.

The SERDES10G supports the configuration of several parameters for increased performance in the specific application environment. The features include:

- Configurable baud rate support from 1.25 Gbps to 11.5 Gbps
- Programmable CDR loop filter bandwidth and phase regulation behavior for receiver
- Programmable offset and phase adjustment of sampling stage
- Transmitter to receiver synchronization including programmable jitter filtering/attenuation (< 0.01 Hz)
- I/O buffer configurations supporting:
 - IB signal detect and loss of signal (LOS) options
 - IB adaptive equalization with high performance CTLE and 4-tap DFE
 - OB programmable de-emphasis, 3 taps
 - OB configurable amplitude drive levels
 - OB supply options (1.0 V or 1.2 V) for optimized drive strength
 - OB slew rate control
- Loopbacks for system diagnostics

3.7 DEV1G and DEV2G5 Port Modules

The DEV1G and DEV2G5 port modules are essentially the same with identical configurations. The only difference is the bandwidth of the bus connecting the port module to the assembler. A DEV2G5 port module can forward data at 2.5 Gbps while the DEV1G port module can forward data at 1 Gbps. The bandwidth of the port module is configured in the SERDES macro connecting to the port module.

3.7.1 MAC

This section describes the high level functions and configuration options of the Media Access controller (MAC) used in the DEV1G and DEV2G5 port modules.

The DEV1G MAC supports 10/100/1000 Mbps in full-duplex mode and 10/100 Mbps in half-duplex mode.

For the DEV2G5 MAC, the supported speeds and duplex modes depend on the following associated SERDES macro:

- SERDES1G: 10/100/1000 Mbps in full-duplex mode and 10/100 Mbps in half-duplex mode.

- SERDES6G: 10/100/1000/2500 Mbps in full-duplex mode and 10/100 Mbps in half-duplex mode.
- SERDES10G: 10/100/1000/2500 Mbps in full-duplex mode and 10/100 Mbps in half-duplex mode.

The following table lists the registers associated with configuring the MAC.

Table 14 • DEV1G and DEV2G5 MAC Configuration Registers Overview

Register	Description	Replication
MAC_ENA_CFG	Enabling of Rx and Tx data paths	Per port module
MAC_MODE_CFG	Port mode configuration	Per port module
MAC_MAXLEN_CFG	Maximum length configuration	Per port module
MAC_TAGS_CFG	VLAN/service tag configuration	Per port module
MAC_TAGS_CFG2	VLAN/service tag configuration 2	Per port module
MAC_ADV_CHK_CFG	Configuration to enable dropping of Type/Length error frames	Per port module
MAC_IFG_CFG	Inter-frame gap configuration	Per port module
MAC_HDX_CFG	Half-duplex configuration	Per port module
MAC_STICKY	Sticky bit recordings	Per port module

3.7.1.1 Clock and Reset

There are a number of resets in the port module. All the resets can be set and cleared simultaneously. By default, all blocks are in the reset state. With reference to DEV_RST_CTRL register, the resets are as listed in the following table.

Table 15 • DEV1G and DEV2G5 Reset

Register.Field	Description
DEV_RST_CTRL.MAC_RX_RST	Reset MAC receiver
DEV_RST_CTRL.MAC_TX_RST	Reset MAC transmitter
DEV_RST_CTRL.PCS_RX_RST	Reset PCS receiver
DEV_RST_CTRL.PCS_TX_RST	Reset PCS transmitter

When changing the MAC configuration, the port must go through a reset cycle. This is done by writing register DEV_RST_CTRL twice. On the first write, the reset bits are set. On the second write, the reset bits are cleared. The non-reset field DEV_RST_CTRL.SPEED_SEL must keep its new value for both writes.

3.7.1.2 Interrupts

The following table lists the eight interrupt sources defined for DEV1G and DEV2G5 port modules. For more information about general interrupt handling, see [Interrupt Controller](#), page 367.

Table 16 • DEV1G and DEV2G5 Interrupt Sources Register Overview

Register.Field	Description
DEV1G_INTR.FEF_FOUND_INTR_STICKY	Far-end-fault indication found
DEV1G_INTR.TX_LPI_INTR_STICKY	Low power idle transmit interrupt
DEV1G_INTR.RX_LPI_INTR_STICKY	Low power idle receive interrupt
DEV1G_INTR.AN_PAGE_RX_INTR_STICKY	New page event received by ANEG
DEV1G_INTR.AN_LINK_UP_INTR_STICKY	ANEG - Link status has changed to up
DEV1G_INTR.AN_LINK_DWN_INTR_STICKY	ANEG - Link status has changed to down

Table 16 • DEV1G and DEV2G5 Interrupt Sources Register Overview (continued)

Register.Field	Description
DEV1G_INTR.LINK_UP_INTR_STICKY	Link status is up
DEV1G_INTR.LINK_DWN_INTR_STICKY	Link status is down

3.7.1.3 Port Mode Configuration

The MAC provides a number of handles for configuring the port mode. With reference to the MAC_MODE_CFG, MAC_IFG_CFG, and MAC_ENA_CFG registers, the handles are as listed in the following table.

Table 17 • DEV1G and DEV2G5 Port Mode Configuration Registers Overview

Register.Field	Description
MAC_MODE_CFG.FDX_ENA	Enables full-duplex mode
MAC_ENA_CFG.RX_ENA	Enables MAC receiver module
MAC_ENA_CFG.TX_ENA	Enables MAC transmitter module
MAC_IFG_CFG.TX_IFG	Adjusts inter frame gap in Tx direction
DEV_RST_CTRL.SPEED_SEL	Configures port speed and data rate

Clearing MAC_ENA_CFG.RX_ENA stops the reception of frames and further frames are discarded. An ongoing frame reception is interrupted.

Clearing MAC_ENA_CFG.TX_ENA stops the dequeuing of frames from the egress queues, which means that frames are held back in the egress queues. An ongoing frame transmission is completed.

TX inter-frame gap (MAC_IFG_CFG.TX_IFG) must be set according to selected speed and mode to achieve 12 bytes IFG.

3.7.2 Half-Duplex Mode

The following special configuration options are available for half-duplex (HDX) mode.

- **Seed for back-off randomizer** MAC_HDX_CFG.SEED seeds the randomizer used by the back-off algorithm. Use MAC_HDX_CFG.SEED_LOAD to load a new seed value.
- **Retransmission of frame after excessive collision** MAC_HDX_CFG.RETRY_AFTER_EXC_COL_ENA determines whether the MAC retransmits frames after an excessive collision has occurred. If set, a frame is not dropped after excessive collisions, but the back-off sequence is restarted. This is a violation of IEEE 802.3, but is useful in non-dropping half-duplex flow control operation.
- **Late collision timing** Field MAC_HDX_CFG.LATE_COL_POS adjusts the border between a collision and a late collision in steps of 1 byte. According to IEEE 802.3, section 21.3, this border is permitted to be on data byte 56 (counting frame data from 1); that is, a frame experiencing a collision on data byte 55 is always retransmitted, but it is never retransmitted when the collision is on byte 57. For each higher LATE_COL_POS value, the border is moved 1 byte higher.
- **Rx-to-Tx inter-frame gap** The sum of Fields MAC_IFG_CFG.RX_IFG1 and MAC_IFG_CFG.RX_IFG2 establishes the time for the Rx-to-Tx inter-frame gap. RX_IFG1 is the first part of half-duplex Rx-to-Tx inter-frame gap. Within RX_IFG1, this timing is restarted if carrier sense (CRS) has multiple high-low transitions (due to noise). RX_IFG2 is the second part of half-duplex Rx-to-Tx inter-frame gap. Within RX_IFG2, transitions on CRS are ignored.

3.7.2.1 Type/Length Check

The MAC supports frame lengths of up to 14,000 bytes. The maximum frame accepted by the MAC is configurable and defined in MAC_MAXLEN_CFG.MAX_LEN.

The MAC allows 1/2/3 tagged frames to be 4/8/12 bytes longer respectively, than the specified maximum length, with MAC_TAGS_CFG.VLAN_LEN_AWR_ENA. The MAC must be configured to look for VLAN

tags (MAC_TAGS_CFG.VLAN_AWR_ENA). By default, EtherType 0x8100 and 0x88A8 are identified as VLAN tags. In addition, three custom EtherTypes can be configured by MAC_TAGS_CFG.TAG_ID, MAC_TAGS_CFG2.TAG_ID2, and MAC_TAGS_CFG2.TAG_ID3.

If a received frame exceeds the maximum length, the frame is truncated and marked as aborted.

The MAC can drop frames with in-range and out-of-range length errors by enabling MAC_ADV_CHK_CFG.LEN_DROP_ENA.

3.7.3 Physical Coding Sublayer (PCS)

This section provides information about the Physical Coding Sublayer (PCS) block, where the auto-negotiation process establishes mode of operation for a link. The PCS supports an SGMII mode and two SerDes modes, 1000BASE-X and 100BASE-FX.

The following table lists the registers associated with the PCS.

Table 18 • DEV1G and DEV2G5 PCS Configuration Registers Overview

Register	Description	Replication
PCS1G_CFG	PCS configuration	Per PCS
PCS1G_MODE_CFG	PCS mode configuration	Per PCS
PCS1G_SD_CFG	Signal Detect configuration	Per PCS
PCS1G_ANEG_CFG	Auto-negotiation configuration register	Per PCS
PCS1G_ANEG_NP_CFG	Auto-negotiation next page configuration	Per PCS
PCS1G_LB_CFG	Loopback configuration	Per PCS
PCS1G_ANEG_STATUS	Status signaling of PCS auto-negotiation process	Per PCS
PCS1G_ANEG_NP_STATUS	Status signaling of the PCS auto-negotiation next page process	Per PCS
PCS1G_LINK_STATUS	Link status	Per PCS
PCS1G_LINK_DOWN_CNT	Link down counter	Per PCS
PCS1G_STICKY	Sticky bit register	Per PCS

The PCS is enabled in PCS1G_CFG.PCS_ENA and PCS1G_MODE_CFG.SGMII_MODE_ENA selects between the SGMII and SerDes mode. For information about enabling 100BASE-FX, see 100BASE-FX.

The PCS supports the IEEE 802.3, Clause 66 unidirectional mode, where the transmission of data is independent of the state of the receive link (PCS1G_MODE_CFG.UNIDIR_MODE_ENA).

3.7.3.1 Auto-Negotiation

Auto-negotiation is enabled with PCS1G_ANEG_CFG.ANEG_ENA. To restart the auto-negotiation process, PCS1G_ANEG_CFG.ANEG_RESTART_ONE_SHOT must be set.

In SGMII mode (PCS1G_MODE_CFG.SGMII_MODE_ENA = 1), matching the duplex mode with the link partner must be ignored (PCS1G_ANEG_CFG.SW_RESOLVE_ENA). Otherwise the link is kept down when the auto-negotiation process fails.

The advertised word for the auto-negotiation process (base page) is configured in PCS1G_ANEG_CFG.ADV_ABILITY. The next page information is configured in PCS1G_ANEG_NP_CFG.NP_TX.

When the auto-negotiation state machine has exchanged base page abilities, the PCS1G_ANEG_STATUS.PAGE_RX_STICKY is asserted indicating that the link partner's abilities were received (PCS1G_ANEG_STATUS.LP_ADV_ABILITY).

If next page information need to be exchanged (only available in SerDes model, that is, PCS1G_MODE_CFG.SGMII_MODE_ENA = 0), PAGE_RX_STICKY must be cleared, next page abilities must be written to PCS1G_ANEG_NP_CFG.NP_TX, and PCS1G_ANEG_NP_CFG.NP_LOADED_ONE_SHOT must be set. When the auto-negotiation state

machine has exchanged the next page abilities, the PCS1G_ANEG_STATUS.PAGE_RX_STICKY is asserted again indicating that the link partner's next page abilities were received (PCS1G_ANEG_STATUS.LP_NP_RX). Additional exchanges of next page information are possible using the same procedure.

Next page engagement is coded in bit 15 of Base Page of Next page information.

After the last next page has been received, the auto-negotiation state machine enters the IDLE_DETECT state, and the PCS1G_ANEG_STATUS.PR bit is set indicating that ability information exchange (base page and possible next pages) has finished and software can now resolve priority. Appropriate actions, such as Rx or Tx reset or auto-negotiation restart, can then be taken based on the negotiated abilities. The LINK_OK state is reached one link timer period later.

When the auto-negotiation process reached the LINK_OK state, PCS1G_ANEG_STATUS.ANEG_COMPLETE is asserted.

3.7.3.2 Link Surveillance

The current link status can be observed through PCS1G_LINK_STATUS.LINK_STATUS. The LINK_STATUS is defined as either the PCS synchronization state or as bit 15 of PCS1G_ANEG_STATUS.LP_ADV_ABILITY, which carries information about the link status in SGMII mode.

Link down is defined as the auto-negotiation state machine being in neither the AN_DISABLE_LINK_OK state nor the LINK_OK state for one link timer period. If a link down event occurred, PCS1G_STICKY.LINK_DOWN_STICKY is set and PCS1G_LINK_DOWN_CNT is incremented. In SGMII mode, the link timer period is 1.6 ms, whereas in SerDes mode, the link timer period is 10 ms.

The PCS synchronization state can be observed through PCS1G_LINK_STATUS.SYNC_STATUS. Synchronization is lost when the PCS is not able to recover and decode data received from the attached serial link.

3.7.3.3 Signal Detect

The PCS can be enabled to react to loss of signal through signal detect (PCS1G_SD_CFG.SD_ENA). Upon loss of signal, the PCS Rx state machine is restarted, and frame reception stops. If signal detect is disabled, no action is taken upon loss of signal. The polarity of signal detect is configurable in PCS1G_SD_CFG.SD_POL.

The source of signal detect is selected in PCS1G_SD_CFG.SD_SEL to either the SerDes PMA or the PMD receiver. If the SerDes PMA is used as source, the SerDes macro provides the signal detect. If the PMD receiver is used as source, signal detect is sampled externally through one of the GPIO pins on the VSC7442-02, VSC7444-02, and VSC7448-02 devices. For more information about the configuration of the GPIOs and signal detect, see [Link Surveillance](#), page 46.

PCS1G_LINK_STATUS.SIGNAL_DETECT contains the current value of the signal detect input.

3.7.3.4 Tx Loopback

For debug purposes, the Tx data path in the PCS can be looped back into the Rx data path. This is enabled through PCS1G_LB_CFG.TBI_HOST_LB_ENA.

3.7.3.5 Test Patterns

The following table lists the DEV1G and DEV2G5 registers associated with configuring test patterns.

Table 19 • DEV1G and DEV2G5 PCS Test Pattern Configuration Registers

Register	Description	Replication
PCS1G_TSTPAT_MODE_CFG	Test pattern configuration	Per PCS
PCS1G_TSTPAT_STATUS	Test pattern status	Per PCS

PCS1G_TSTPAT_MODE_CFG.JTP_SEL overwrites normal operation of the PCS and enables generation of jitter test patterns for debug. The jitter test patterns are defined in IEEE 802.3, Annex 36A. The following patterns are supported.

- High frequency test pattern
- Low frequency test pattern
- Mixed frequency test pattern
- Continuous random test pattern with long frames
- Continuous random test pattern with short frames

The PCS1G_TSTPAT_MODE_STATUS register holds information about error and lock conditions while running the jitter test patterns.

3.7.3.6 Low Power Idle

The following table lists the registers associated with Energy Efficient Ethernet (EEE) configuration and status in PCS.

Table 20 • DEV1G and DEV2G5 PCS EEE Configuration Registers Overview

Register	Description	Replication
PCS1G_LPI_CFG	Configuration of the PCS low power idle process	Per PCS
PCS1G_LPI_WAKE_ERROR_CNT	Wake error counter	Per PCS
PCS1G_LPI_STATUS	Low power idle status	Per PCS

The PCS supports Energy Efficient Ethernet (EEE) as defined by IEEE 802.3az. The PCS converts low power idle (LPI) encoding between the MAC and the serial interface transparently. In addition, the PCS provides control signals to stop data transmission in the SerDes macro. During low power idles, the serial transmitter in the SerDes macro can be powered down, only interrupted periodically while transmitting refresh information, which allows the receiver to notice that the link is still up but in power-down mode.

For more information about powering down the serial transmitter in the SerDes macro, see [SERDES1G](#), page 35 or [SERDES6G](#), page 35.

It is not necessary to enable the PCS for EEE, because it is controlled indirectly by the shared queue system. It is possible, however, to manually force the PCS into the low power idle mode through PCS1G_LPI_CFG.TX_ASSERT_LPIDLE. During LPI mode, the PCS constantly encodes low power idle with periodical refreshes. For more information about EEE, see [Energy Efficient Ethernet](#), page 293.

The current low power idle state can be observed through PCS1G_LPI_STATUS for both receiver and transmitter:

- RX_LPI_MODE: Set if the receiver is in low power idle mode.
- RX_QUIET: Set if the receiver is in the quiet state of the low power idle mode. If cleared while RX_LPI_MODE is set, the receiver is in the refresh state of the low power idle mode.

The same is observable for the transmitter through TX_LPI_MODE and TX_QUIET.

If an LPI symbol is received, the RX_LPI_EVENT_STICKY bit is set, and if an LPI symbol is transmitted, the TX_LPI_EVENT_STICKY bit is set. These events are sticky.

The PCS1G_LPI_WAKE_ERROR_CNT wake-up error counter increments when the receiver detects a signal and the PCS is not synchronized. This can happen when the transmitter fails to observe the wake-up time or if the receiver is not able to synchronize in time.

3.7.3.7 100BASE-FX

The following table lists the registers associated with 100BASE-FX.

Table 21 • DEV1G and DEV2G5 100BASE-FX Configuration Registers Overview

Register	Description	Replication
PCS_FX100_CFG	Configuration of the PCS 100BASE-FX mode	Per PCS
PCS_FX100_STATUS	Status of the PCS 100BASE-FX mode	Per PCS

The PCS supports a 100BASE-FX mode in addition to the SGMII and 1000BASE-X SerDes modes. The 100BASE-X mode uses 4-bit/5-bit coding as specified in IEEE 802.3, Clause 24 for fiber connections. The 100BASE-FX mode is enabled through PCS_FX100_CFG.PCS_ENA, which masks out all PCS1G related registers.

The following options are available.

- Far-End Fault facility: In 100BASE-FX, the PCS supports the optional Far-End Fault facility. Both Far-End Fault Generation (PCS_FX100_CFG.FEFGEN_ENA) and Far-End Fault Detection (PCS_FX100_CFG.FEFCHK_ENA) are supported. A Far-End Fault incident is recorded in PCS_FX100_STATUS.FEF_FOUND.
- Signal Detect: 100BASE-FX has a similar signal detect scheme as of the SGMII and SERDES modes. For 100BASE-FX, PCS_FX100_CFG.SD_ENA enables signal detect, and PCS_FX100_CFG.SD_SEL selects the input source. The current status of the signal detect input can be observed through PCS_FX100_STATUS.SIGNAL_DETECT. For more information about signal detect, see [Signal Detect](#), page 40.
- Link Surveillance: The PCS synchronization status can be observed through PCS_FX100_STATUS.SYNC_STATUS. When synchronization is lost the link breaks and PCS_FX100_STATUS.SYNC_LOST_STICKY is set. The PCS continuously tries to recover the link.
- Unidirectional mode: 100BASE-FX has a similar unidirectional mode as for the SGMII and SerDes modes, enabled through PCS_FX100_CFG.UNIDIR_MODE_ENA.

3.7.4 Port Statistics

Port statistics for DEV1G and DEV2G5 port modules are collected in the assembler and is accessed through registers in the assembler.

3.8 DEV10G Port Module

The DEV10G port module can be used in the full-duplex operation modes listed in the following table.

Table 22 • DEV10G Operation Modes

Mode	Lane Speed (Gbps)	Lanes	Encoding	PCS Used	IPG Shrink (Avg)	Preamble Shrink	Data Bandwidth	Payload Bandwidth ¹	Comment
XAUI	3.125	4	8b/10b	PCS XAUI	No	No	10 Gbps	10 Gbps	Standard XAUI
RXAUI	6.25	2	8b/10b	PCS XAUI	No	No	10 Gbps	10 Gbps	Proprietary, but widely supported
10G stacking	3.125	4	8b/10b	PCS XAUI	5 bytes	7 bytes	>10 Gbps	10 Gbps	Microsemi only
SFI	10.3125	1	64b/66b	PCS SFI	No	No	10 Gbps	10 Gbps	Standard SFI

1. Compensated for stacking header.

3.8.1 MAC

This section describes the high level functions and the configuration options of the Media Access Controller (MAC) that is used in the DEV10G port modules.

The following table lists the registers associated with configuring the DEV10G MAC.

Table 23 • DEV10G MAC Configuration Registers Overview

Register	Description	Replication
MAC_ENA_CFG	Enables of Rx and Tx data paths	Per port

Table 23 • DEV10G MAC Configuration Registers Overview (continued)

Register	Description	Replication
MAC_MODE_CFG	Port mode configuration	Per port
MAC_MAXLEN_CFG	Maximum length configuration	Per port
MAC_NUM_TAGS_CFG	Number of tags configuration	Per port
MAC_TAGS_CFG	VLAN/service tag configuration	Three per port
MAC_ADV_CHK_CFG	Advance Check Feature configuration	Per port
MAC_LFS_CFG	Link Fault Signaling configuration	Per port
MAC_LB_CFG	Loopback configuration	Per port
MAC_STICKY	Sticky bit recordings	Per port

3.8.1.1 Clock and Reset

There are a number of synchronous resets in the DEV10G port module. All of the resets can be set and cleared simultaneously. By default, all blocks are in the reset state (reset active). The following tables lists all available resets.

Table 24 • DEV10G Reset Registers Overview

Target::Register.Field	Description
DEV10G::DEV_RST_CTRL.MAC_RX_RST	Resets MAC receiver
DEV10G::DEV_RST_CTRL.MAC_TX_RST	Resets MAC transmitter
DEV10G::DEV_RST_CTRL.PCS_RX_RST	Resets PCS receiver
DEV10G::DEV_RST_CTRL.PCS_TX_RST	Resets PCS transmitter

When changing the MAC configuration, the port must go through a reset cycle. This is done by writing the register DEV10G::DEV_RST_CTRL twice. On the first write, all reset bits must be set to active (0x1). On the second write, reset bits are cleared (0x0). Non-reset bits in DEV10G::DEV_RST_CTRL must keep their value for both writes.

3.8.1.2 Interrupts

The following table lists the five interrupt sources defined for DEV10G port module. For more information about general interrupt handling, see [Interrupt Controller](#), page 367.

Table 25 • DEV10G Interrupt Sources Registers Overview

Target::Register.Field	Description
DEV10G::INTR.PCS_BR_INTR	One of the Base-R PCS interrupt indications is active
DEV10G::INTR.TX_LPI_INTR	TX low power idle mode has changed
DEV10G::INTR.RX_LPI_INTR	RX low power idle mode has changed
DEV10G::INTR.LINK_UP_INTR	Link status is up
DEV10G::INTR.LINK_DWN_INTR	Link status is down

All the sticky events in SFI PCS can generate an interrupt if their corresponding interrupt mask is set to 1. The following table lists the interrupt registers that are used for interrupt generation if corresponding event bit is set from 10GBASE-R PCS (or SFI PCS).

Table 26 • DEV10G BASE-R PCS Interrupt Sources Registers Overview

Interrupt Mask Register	Interrupt Register Sticky Bit	Replication
PCS_INTR_MASK	SFI PCS sticky bits	Per PCS
KR_FEC_STICKY_MASK	KR FEC sticky bits	Per PCS
EEE_INTR_MASK	SFI PCS EEE sticky bits	Per PCS

3.8.1.3 Port Mode Configuration

The MAC provides a number of handles for configuring the port mode. The following table lists the associated registers.

Table 27 • DEV10G Port Mode Configuration Registers Overview

Target::Register.Field	Description
DEV10G::DEV_RST_CTRL.SPEED_SEL	Configures MAC and PCS Rx/Tx clock frequencies. 4: XAUI/RXAUI 10 Gbps. 6: Both MAC and PCS Rx/Tx clocks are disabled. 7: SFI 10 Gbps. Unused values are reserved.
DEV10G::MAC_ENA_CFG.RX_ENA	Enable MAC receiver module.
DEV10G::MAC_ENA_CFG.TX_ENA	Enable MAC transmitter module.
DEV10G::MAC_MODE_CFG.TUNNEL_PAUSE_FRAMES	Enable tunneling of pause frames on a link.
DEV10G::MAC_MODE_CFG.MAC_PREAMBLE_CFG	Preamble format configuration.
DEV10G::MAC_MODE_CFG.MAC_IPG_CFG	IPG format configuration.
DEV10G::MAC_MODE_CFG.HIH_CRC_CHECK	Enable check for HiH checksum.

3.8.1.4 Type/Length Check

The MAC supports frame lengths of up to 14,000 bytes. The maximum frame accepted by the MAC is configurable and defined in DEV10G::MAC_MAXLEN_CFG.MAX_LEN. Maximum length is automatically adjusted if one or more tags are included in the current frame. The MAC allows 1/2/3 tagged frames to be 4/8/12 bytes longer respectively, than the specified maximum length.

DEV10G::MAC_MAXLEN_CFG.MAX_LEN_TAG_CHK configures whether the max Length check takes the number of tags into consideration.

A number of tags can be selected by DEV10G::MAC_NUM_TAGS_CFG.NUM_TAGS. By default, EtherType 0x8100 and 0x88A8 are identified as VLAN tags. In addition, three custom EtherTypes can be configured by MAC_TAGS_CFG.TAG_ID.

If a received frame exceeds the maximum length, the frame is truncated and marked as aborted.

The MAC can drop the frames with length (in-range and out-of-range) errors by enabling MAC_ADV_CHK_CFG.INR_ERR_ENA and MAC_ADV_CHK_CFG.OOR_ERR_ENA.

There are also other checks available that can be enabled based on configurations listed in the following table.

Table 28 • DEV10G Port Module Advance Checks Configuration Registers

Target::Register.Field	Description
DEV10G::MAC_ADV_CHK_CFG.EXT_EOP_CHK_ENA	Enables extended end of packet check.

Table 28 • DEV10G Port Module Advance Checks Configuration Registers (continued)

Target::Register.Field	Description
DEV10G::MAC_ADV_CHK_CFG.EXT_SOP_CHK_ENA	Enable extended start of packet check.
DEV10G::MAC_ADV_CHK_CFG.SFD_CHK_ENA	Enable start-of-frame-delimiter check.
DEV10G::MAC_ADV_CHK_CFG.PRM_SHK_CHK_DIS	Disable preamble shrink check.
DEV10G::MAC_ADV_CHK_CFG.PRM_CHK_ENA	Enable preamble check.
DEV10G::MAC_ADV_CHK_CFG.OOR_ERR_ENA	Enable out-of-range error check.
DEV10G::MAC_ADV_CHK_CFG.INR_ERR_ENA	Enable in-range error check.

3.8.1.5 Local and Remote Fault Signaling

By default the MAC is configured to detect a Link Fault indication and react by transmitting the appropriate sequence ordered set. The feature can be disabled completely using DEV10G::MAC_LFS_CFG.LFS_MODE_ENA. It is also possible to configure MAC into unidirectional mode according to IEEE 802.3, Clause 66, where frames are transmitted while receiving link fault indication but interleaved by appropriate ordered sets in between (DEV10G::MAC_LFS_CFG.LFS_UNIDIR_ENA).

3.8.2 Physical Coding Sublayer (PCS)

This section describes the Physical Coding Sublayer (PCS) blocks included in the DEV10G port module. Depending on the DEV10G mode configuration, the corresponding PCS block must be selected and configured accordingly. Status information, such as link status, is available per PCS block, and the applicable register bit, depending on mode, must be checked. Interrupt source signal are selected from the current selected PCS block depending on mode selection.

Note: Each DEV10G port module must only enable one PCS block at the same time.

The following table lists the applicable registers for DEV10G PCS configuration.

Table 29 • DEV10G PCS Configuration Registers Overview

Register	Description	Replication
PCS_XAUI_CFG	XAUI-PCS configuration	Per PCS
PCS_XAUI_EXT_CFG	XAUI-PCS extended configuration	Per PCS
PCS_XAUI_SD_CFG	XAUI-PCS Signal Detect configuration	Per PCS
PCS_XAUI_TX_SEQ_CFG	XAUI-PCS sequence transmit configuration	Per PCS
PCS_XAUI_RX_ERR_CNT_CFG	XAUI-PCS error counter configuration	Per PCS
PCS_XAUI_INTERLEAVE_MODE_CFG	XAUI-PCS interleave mode (RXAUI) configuration	Per PCS
PCS_CFG	SFI-PCS configuration	Per PCS
PCS_SD_CFG	SFI-PCS signal detect configuration	Per PCS

The following table lists the applicable registers for DEV10G PCS status.

Table 30 • DEV10G PCS Status Registers Overview

Register	Description	Replication
PCS_XAUI_RX_STATUS	XAUI-PCS receiver lane status	Per PCS
PCS_XAUI_DESKEW_STATUS	XAUI-PCS receiver deskew register	Per PCS
PCS_XAUI_CGALIGN_STATUS	XAUI-PCS receiver comma alignment register	Per PCS
PCS_XAUI_RX_SEQ_REC_STATUS	XAUI-PCS sequence receive status	Per PCS

Table 30 • DEV10G PCS Status Registers Overview (continued)

Register	Description	Replication
PCS_XAUI_RX_FIFO_OF_ERR_L0_CNT_STATUS	XAUI-PCS receive FIFO overflow error counter.	Per PCS
PCS_XAUI_RX_FIFO_UF_ERR_L1_CNT_STATUS	XAUI-PCS receive FIFO underflow error counter	Per PCS
PCS_XAUI_RX_FIFO_D_ERR_L2_CNT_STATUS	XAUI-PCS 10B8B decoder disparity error counter	Per PCS
PCS_XAUI_RX_FIFO_CG_ERR_L3_CNT_STATUS	XAUI-PCS 10B8B decoder codegroup error counter	Per PCS
PCS_STATUS	SFI-PCS status	Per PCS
TX_ERRBLK_CNT	SFI-PCS counter for number of times transmit FSM enters TX_E state	Per PCS
TX_CHARERR_CNT	SFI-PCS counter for number of invalid control characters transmitter detected from MAC	Per PCS
RX_BER_CNT	SFI-PCS counter for number of times receive BER FSM enters BER_BAD_SH state (ber_count)	Per PCS
RX_ERRBLK_CNT	SFI-PCS counter for number of times receive FSM enters RX_E state	Per PCS
RX_CHARERR_CNT	SFI-PCS counter for receive number of invalid control characters after decoding	Per PCS
RX_OSET_FIFO_STAT	SFI-PCS receive ordered set FIFO status	Per PCS
RX_OSET_FIFO_DATA	SFI-PCS receive ordered set FIFO data	Per PCS
RX_FSET_FIFO_STAT	SFI-PCS receive F-Sig FIFO status	Per PCS
RX_FSET_FIFO_DATA	SFI-PCS receive F-Sig FIFO data	Per PCS

The RXAUI mode must be enabled in DEV10G::PCS_XAUI_INTERLEAVE_MODE_CFG.ILV_MODE_ENA. The RXAUI mode offers the following two byte-reordering methods:

- Modified comma mode
- Alignment ordered set mode

The RXAUI byte reordering mode can be selected by DEV10G::PCS_XAUI_INTERLEAVE_MODE_CFG.ILV_MODE.

3.8.2.1 Backplane Auto-Negotiation

Backplane auto-negotiation must be used when normal auto-negotiation is disabled. For the DEV10G port module there is no specific function or setup available.

3.8.2.2 Link Surveillance

For XAUI and RXAUI modes, current link status can be observed through DEV10G::PCS_XAUI_RX_STATUS as follows:

All active lanes needs to be in alignment (DEV10G::PCS_XAUI_RX_STATUS.ALIGNMENT_STATUS) to be able to receive correct data. If local fault indication is received this is flagged in DEV10G::PCS_XAUI_RX_STATUS.LOCAL_FAULT_STICKY (1 bit per lane, only for active lanes). Whenever synchronization was lost on an active lane or alignment status was lost sticky bits are set (DEV10G::PCS_XAUI_RX_ERROR_STATUS.SYNC_LOST_STICKY and DEV10G::PCS_XAUI_RX_ERROR_STATUS.ALIGNMENT_LOST_STICKY). On top there is an additional sticky bit for received 8B10B codec errors (DEV10G::PCS_XAUI_RX_ERROR_STATUS.C8B10B_ERR_STICKY).

For SFI mode of operation, current link status can be observed through PCS_10GBASE_R::PCS_STATUS defined as follows:

To receive correct data, the SFI PCS must achieve block lock (PCS_10GBASE_R::PCS_STATUS.RX_BLOCK_LOCK). This block lock is achieved when PCS detects a 66-bit boundary. Whenever the block lock is lost or achieved, a sticky bit is set (PCS_10GBASE_R::PCS_INTR_STAT.LOCK_CHANGED_STICKY). Whenever a large number of false sync headers is detected HI_BER (PCS_10GBASE_R::PCS_STATUS.RX_HI_BER) is asserted and a sticky bit is set (PCS_10GBASE_R::PCS_INTR_STAT.RX_HI_BER_STICKY). If a local fault or remote fault is received, it is flagged in PCS_10GBASE_R::PCS_INTR_STAT.RX_OSET_STICKY, and the sequence ordered set received can be read from PCS_10GBASE_R::RX_OSET_FIFO_DATA.RX_OSET_FIFO_DATA. PCS_10GBASE_R::RX_FSET_FIFO_STAT can be used to know how many ordered sets are captured and FIFO full status.

3.8.2.3 Signal Detect

The PCS can be enabled to react to loss of signal through signal detect (x_SD_CFG.SD_ENA). Upon loss of signal, the PCS Rx state machine is restarted, and frame reception stops. If signal detect is disabled, no action is taken upon loss of signal. The polarity of signal detect is configurable by x_SD_CFG.SD_POL, where value of this bit indicates the active signal detect state of the selected input line.

The source of signal detect is selected in x_SD_CFG.SD_SEL to either the SERDES PMA or the PMD receiver. If the SERDES PMA is used as the source, the SERDES macro provides the signal detect. If the PMD receiver is used as source, signal detect is sampled externally through one of the GPIO pins on the VSC7442-02, VSC7444-02, and VSC7448-02 devices. For more information about the configuration of the GPIOs and signal detect, see [Parallel Signal Detect](#), page 356.

In above register bits x_SD_CFG stands for PCS_10GBASE_R::PCS_SD_CFG or DEV10G::PCS_XAUI_SD_CFG, depending on SFI mode of operation or XAUI/RXAUI mode of operation.

DEV10G::PCS_XAUI_RX_STATUS.SIGNAL_DETECT contains the current value of the signal detect input.

3.8.2.4 Tx Loopback

For debug purposes, there is a loopback path defined within all PCS blocks that loops back Tx data path into the Rx data path. This is enabled through DEV10G::PCS_XAUI_CFG.XAUI_LOOP_ENA for PCS XAUI and through PCS_10GBASE_R::PCS_CFG.PMA_LOOPBACK_ENA for PCS SFI.

3.8.2.5 Test Patterns

The following table lists the registers associated with configuring XAUI/RXAUI PCS.

Table 31 • DEV10G PCS Test Pattern Configuration Registers Overview

Target::Register.Field	Description	Replication
DEV10G::PCS_XAUI_TSTPAT_CFG	PCS XAUI: Test Pattern Generation Control	Per PCS
DEV10G::PCS_XAUI_TSTPAT_RX_SEQ_CNT_STATUS	PCS XAUI: Random Sequence Master Counter Random Sequence Master Counter	Per PCS
DEV10G::PCS_XAUI_TSTPAT_TX_SEQ_CNT_STATUS	PCS XAUI: Jitter Pattern Transmit Counter. Jitter Pattern Transmit Counter.	Per PCS

DEV10G::PCS_XAUI_TSTPAT_CFG.VT_GEN_ENA and DEV10G::PCS_XAUI_TSTPAT_CFG.VT_GEN_SEL overwrites normal operation of the PCS XAUI and enables generation of test pattern for debug. The PCS XAUI test pattern are defined in IEEE 802.3, Annex 48A, and the following pattern are supported:

- High frequency test pattern
- Low frequency test pattern

- Mixed frequency test pattern
- Continuous random test pattern
- Continuous jitter test pattern

Test pattern checker can be enabled by DEV10G::PCS_XAUI_TSTPAT_CFG.VT_CHK_ENA and DEV10G::PCS_XAUI_TSTPAT_CFG.VT_CHK_SEL where only mixed frequency test pattern, CR test pattern and JC test pattern can be checked. High and Low frequency test pattern cannot be checked, because acquiring synchronization state is not possible.

For frame-based test pattern (continuous random and continuous jitter) there are two counter implemented: DEV10G::PCS_XAUI_TSTPAT_RX_SEQ_CNT_STATUS. RND_SEQ_TIMER is incremented every 8th received symbol and is started with a detected start of frame symbol. Counter is stopped when the last symbol of reference frame was compared. Idle phase between two frames is not checked. DEV10G::PCS_XAUI_TSTPAT_TX_SEQ_CNT_STATUS.JP_TX_CNT counts the number of transmitted frames. Both counters can be frozen prior to reading them by enabling DEV10G::PCS_XAUI_TSTPAT_CFG.FREEZE_ERR_CNT_ENA.

The following table lists the registers associated with configuring SFI PCS

Table 32 • DEV10G BASE-R PCS Test Pattern Configuration Registers Overview

Target::Register.Field	Description	Replication
PCS_10GBASE_R::PCS_CFG.TX_TEST_MODE	Enables test pattern mode in SFI PCS transmitter.	Per PCS
PCS_10GBASE_R::PCS_CFG.TX_TEST_MODE	Enables test pattern mode in SFI PCS receiver.	Per PCS
PCS_10GBASE_R::TEST_CFG	Test pattern configuration register when test mode is enabled for SFI PCS	Per PCS
PCS_10GBASE_R::TX_SEEDA_MSB.TX_SEEDA_MSB	Most significant 26 bits of seed A used to initialize SFI PCS scrambler in test mode.	Per PCS
PCS_10GBASE_R::TX_SEEDA_LSB.TX_SEEDA_LSB	Least significant 32 bits of seed A used to initialize SFI PCS scrambler in test mode.	Per PCS
PCS_10GBASE_R::TX_SEEDB_MSB.TX_SEEDB_MSB	Most significant 26 bits of seed B used to initialize SFI PCS scrambler in test mode.	Per PCS
PCS_10GBASE_R::TX_SEEDB_LSB.TX_SEEDB_LSB	Least significant 32 bits of seed B used to initialize SFI PCS scrambler in test mode.	Per PCS
PCS_10GBASE_R::TX_DATAPAT_MSB.TX_DATAPAT_MSB	Most significant 32 bits of 64-bit data pattern used in pseudo-random and user-defined test pattern mode for transmitter of SFI PCS.	Per PCS
PCS_10GBASE_R::TX_DATAPAT_LSB.TX_DATAPAT_LSB	Least significant 32 bits of 64-bit data pattern used in pseudo-random and user-defined test pattern mode for transmitter of SFI PCS.	Per PCS
PCS_10GBASE_R::RX_DATAPAT_MSB.RX_DATAPAT_MSB	Most significant 32 bits of 64-bit data pattern used in pseudo-random and user-defined test pattern mode for receiver of SFI PCS.	Per PCS
PCS_10GBASE_R::RX_DATAPAT_LSB.RX_DATAPAT_LSB	Least significant 32 bits of 64-bit data pattern used in pseudo-random and user-defined test pattern mode for receiver of SFI PCS.	Per PCS

Table 32 • DEV10G BASE-R PCS Test Pattern Configuration Registers Overview (continued)

Target::Register.Field	Description	Replication
PCS_10GBASE_R::PCS_STATUS.TESTPAT_MATCH	When in test pattern check mode, this bit will read 1 if the test pattern checker detects a match. When 0, the test pattern does not match. The test pattern error counts should still be used along with this register bit to determine proper test match status. The bit will read back 1 only when the test pattern is matching. This may happen even while test pattern errors are counted on other clock cycles.	Per PCS
PCS_10GBASE_R::TEST_ERR_CNT.TEST_ERR_CNT	Count of detected test pattern errors in Rx test pattern checker. Write 0 to clear.	Per PCS

By setting PCS_10GBASE_R::PCS_CFG.TX_TEST_MODE and PCS_10GBASE_R::PCS_CFG.RX_TEST_MODE register bits to 1, test pattern mode is enabled in SFI PCS. The following test patterns are supported as per IEEE 802.3, clause 49.2.8 and clause 49.2.12.

- Square wave
- Pseudo random
- PRBS31
- User defined

User-defined mode is a slightly modified test pattern in which the scrambler is not initialized with any seed value, so there will be no errors after every 128-block window.

Different types of test pattern generation can be chosen by configuring PCS_10GBASE_R::TEST_CFG.TX_TESTPAT_SEL and that of checkers by configuring PCS_10GBASE_R::TEST_CFG.RX_TESTPAT_SEL. For square wave test pattern generation, period can be configured using PCS_10GBASE_R::TEST_CFG.TX_SQPW_4B. For pseudo-random test pattern inversion of seeds and data is enabled by PCS_10GBASE_R::TEST_CFG.TX_DSBL_INV and PCS_10GBASE_R::TEST_CFG.RX_DSBL_INV.

3.8.2.6 Lane Swapping and Inversion

For easy back-to-back connection in stacking solutions it is possible either to invert all data signals between PCS and connected SERDES macro as also flip the order of assigned SERDES macros to lanes. The following table lists the applicable registers.

Table 33 • DEV10G PCS XAUI Extend Configuration Registers Overview

Target::Register.Field	Description
DEV10G::PCS_XAUI_EXT_CFG.RX_INV_HMBUS	Invert all data signals from SERDES to PCS.
DEV10G::PCS_XAUI_EXT_CFG.RX_FLIP_HMBUS	Flip data in receive direction. For example, map lane 0 on 3, lane 1 on 2, lane 2 on 1, and lane 3 on 0.
DEV10G::PCS_XAUI_EXT_CFG.TX_INV_HMBUS	Invert all data signals from PCS to SerDes.
DEV10G::PCS_XAUI_EXT_CFG.TX_FLIP_HMBUS	Flip data in transmit direction. For example, map lane 0 on 3, lane 1 on 2, lane 2 on 1, and lane 3 on 0.

Data flip (for reverse ordering) at SFI PCS and SerDes interface can be achieved by configuring PCS_10GBASE_R::PCS_CFG.TX_DATA_FLIP and PCS_10GBASE_R::PCS_CFG.RX_DATA_FLIP for transmitter and receiver correspondingly.

3.8.2.7 Low Power Idle

The following table lists the configuration and status registers related to EEE in PCS.

Table 34 • DEV10G PCS EEE Configuration and Status Registers Overview

Target::Register	Description	Replication
DEV10G::PCS_XAUI_LPI_CFG	Configuration of the XAUI PCS low power idle process.	Per PCS
DEV10G::PCS_XAUI_LPI_STATUS	XAUI PCS low power idle status.	Per PCS
PCS_10GBASE_R::EEE_STATUS	SFI PCS low power idle status.	Per PCS
PCS_10GBASE_R::WAKE_ERR_CNT	SFI PCS wake_error_counter value as specified in IEEE 802.3az, clause 49.2.13.2.4.	Per PCS

3.8.2.8 KR FEC

SFI PCS also supports KR FEC. The following table lists the applicable registers.

Table 35 • DEV10G KR FEC Configuration and Status Registers Overview

Register	Description	Replication
KR_FEC_CFG	KR FEC configuration register	Per PCS
KR_FEC_STATUS	KR FEC status	Per PCS
KR_FEC_STICKY	KR FEC sticky bits	Per PCS
KR_FEC_CORRECTED	KR FEC corrected error blocks counter	Per PCS
KR_FEC_UNCORRECTED	KR FEC uncorrected error blocks counter	Per PCS

To enable FEC, PCS_10GBASE_R::KR_FEC_CFG.FEC_ENA must be set. In addition, data bits must be flipped at KR FEC interface with PCS. This is achieved by setting both PCS_10GBASE_R::KR_FEC_CFG.TX_DATA_FLIP and PCS_10GBASE_R::KR_FEC_CFG.RX_DATA_FLIP to 1.

For enabling FEC error indication in the PCS register bit, set PCS_10GBASE_R::KR_FEC_CFG.ENABLE_ERROR_INDICATION to 1. This ensures that SFI PCS decodes the block correctly, and hence correct data is presented to MAC. When FEC loses frame lock, it is reflected in the PCS_10GBASE_R::KR_FEC_STICKY.FEC_FRAME_LOCK_STICKY sticky bit.

There are two counters in FEC for counting corrected and uncorrected error blocks. These are cleared by writing a 1 to PCS_10GBASE_R::KR_FEC_CFG.RESET_MONITOR_COUNTERS, followed by a 0.

When the counters cross a threshold value configurable by PCS_10GBASE_R::FIXED_ERROR_COUNT_THRESHOLD and PCS_10GBASE_R::UNFIXABLE_ERROR_COUNT_THRESHOLD, two corresponding sticky bits are set (PCS_10GBASE_R::KR_FEC_STICKY.FEC_FIXED_ERROR_COUNT_STICKY and PCS_10GBASE_R::KR_FEC_STICKY.FEC_UNFIXABLE_ERROR_COUNT_STICKY).

Note: KR FEC must not be enabled when EEE is enabled. This mode is not supported.

3.8.3 Port Statistics

The DEV10G port module contains a set of port statistics. Packets counters are 32 bits wide and byte counters are 40 bits wide. The following table lists the counters. The counters are writable. In particular, the counters are cleared by writing a 0 to each counter.

Table 36 • DEV10G Statistics Registers Overview

Register	Description
RX_SYMBOL_ERR_CNT	Rx symbol carrier error counter

Table 36 • DEV10G Statistics Registers Overview (continued)

Register	Description
RX_PAUSE_CNT	Rx pause frame counter
RX_UNSUP_OPCODE_CNT	Rx Control frame counter
RX_UC_CNT	Rx unicast frame counter
RX_MC_CNT	Rx multicast frame counter
RX_BC_CNT	Rx broadcast frame counter
RX_CRC_ERR_CNT	Rx CRC error counter
RX_UNDERSIZE_CNT	Rx undersize counter (valid frame format)
RX_FRAGMENTS_CNT	Rx undersize counter (CRC error)
RX_IN_RANGE_LEN_ERR_CNT	Rx in-range length error counter
RX_OUT_OF_RANGE_LEN_ERR_CNT	Rx out-of-range length error counter
RX_OVERSIZE_CNT	Rx oversize counter (valid frame format)
RX_JABBERS_CNT	Rx jabbers counter
RX_SIZE64_CNT	Rx 64 byte frame counter
RX_SIZE65TO127_CNT	Rx 65-127 byte frame counter
RX_SIZE128TO255_CNT	Rx 128-255 byte frame counter
RX_SIZE256TO511_CNT	Rx 256-511 byte frame counter.
RX_SIZE512TO1023_CNT	Rx 512-1023 byte frame counter.
RX_SIZE1024TO1518_CNT	Rx 1024-1518 byte frame counter.
RX_SIZE1519TOMAX_CNT	Rx 1519 to max. length byte frame counter.
RX_IPG_SHRINK_CNT	Rx Inter packet gap shrink counter.
TX_PAUSE_CNT	Tx Pause frame counter.
TX_UC_CNT	Tx unicast frame counter.
TX_MC_CNT	Tx multicast frame counter.
TX_BC_CNT	Tx broadcast frame counter.
TX_SIZE64_CNT	Tx 64 byte frame counter.
TX_SIZE65TO127_CNT	Tx 65-127 byte frame counter.
TX_SIZE128TO255_CNT	Tx 128-255 byte frame counter.
TX_SIZE256TO511_CNT	Tx 256-511 byte frame counter.
TX_SIZE512TO1023_CNT	Tx 512-1023 byte frame counter.
TX_SIZE1024TO1518_CNT	Tx 1024-1518 byte frame counter.
TX_SIZE1519TOMAX_CNT	Tx 1519 to maximum length byte frame counter.
RX_ALIGNMENT_LOST_CNT	Counter to track the dribble-nibble (extra nibble) errors in frames.
RX_TAGGED_FRMS_CNT	Counts frames that are tagged (C-tagged or S-tagged).
RX_UNTAGGED_FRMS_CNT	Counts frames that are Not tagged (neither C-tagged nor S-tagged).
TX_TAGGED_FRMS_CNT	Counts frames that are tagged (C-tagged or S-tagged).
TX_UNTAGGED_FRMS_CNT	Counts frames that are Not tagged (neither C-tagged nor S-tagged).
RX_HIH_CHKSM_ERR_CNT	Rx HiH checksum error counter.
RX_XGMII_PROT_ERR_CNT	Rx XGMII protocol error counter.

3.9 Assembler

The assembler (ASM) block is responsible for collecting words from the smaller taxi bus and assembling them into cells. It is also responsible for the loopback path between the rewriter and the analyzer.

For the first cell of a frame, which is the SOF cell, the assembler adds room for a 28-byte internal frame header (IFH). On a stacking port, the stacking tag is extracted from the frame data and placed in the respective part of the IFH.

The assembler receives a calendar sequence from the queue system defining in the sequence the ports should be served on the outgoing cell bus.

The assembler also detects PAUSE frames and forwards the extracted PAUSE information to the disassembler. PFC pause information extracted from PFC PAUSE frames are forwarded to the queue system.

Finally, the assembler collects the port statistics for all lower speed ports, which are the DEV1G and DEV2G5 ports. Statistics for the high-speed DEV10G ports are handled locally in the port module.

3.9.1 Setting Up a Port in the Assembler

The following table lists the port configuration registers within the assembler. Ethernet ports and CPU ports are configured using the same registers. Some of the fields are only relevant for setting up a CPU port (internal or external) and they will be covered in a later section.

Table 37 • Port Configuration Register Overview

Target::Register.Field	Description	Replication
ASM::PORT_CFG.NO_PREAMBLE_ENA	Preamble configuration of incoming frames.	Per port
ASM::PORT_CFG.SKIP_PREAMBLE_ENA	Preamble configuration of incoming frames.	Per port
ASM::PORT_CFG.PAD_ENA	Enable padding.	Per port
ASM::PORT_CFG.INJ_DISCARD_CFG	Configures discard behavior for injected frames.	Per port
ASM::PORT_CFG.INJ_FORMAT_CFG	Configure format of injected frames.	Per port
ASM::PORT_CFG.VSTAX2_AWR_ENA	Enable VStaX stacking header awareness.	Per port

By default, an Ethernet port does not need configuration in the assembler as long as special settings are not required. However, the following exceptions may apply:

If the port is used as a stacking port, set ASM::PORT_CFG.VSTAX2_AWR_ENA, which enables detection of the VStaX stacking header. If a VStaX stacking header is found, the assembler will remove the header from the frame and put it into the internal frame header.

Frames received from the port modules are preamble prepended by default. If a port module is configured for preamble shrink mode, the ASM::PORT_CFG.NO_PREAMBLE_ENA must be set to 1, because the port module does not prepend a preamble in this mode.

When ASM::PORT_CFG.PAD_ENA is set, frames that are smaller than 64 bytes are padded to reach the minimum frame size.

The assembler has a built-in frame fragment detection mechanism for incoming frames that were started but never received their EOF (because the port module was taken down, for example). These frames are normally finalized by creating an EOF abort marked cell. If a frame has been discarded, it is noted in ASM::PORT_STICKY.FRM_AGING_STICKY. The following table lists the port status register.

Table 38 • Port Status Register Overview

Target::Register.Field	Description	Replication
ASM::PORT_STICKY.IFH_PREFIX_ERR_STICKY	Injection format mismatch sticky bit	Per port
ASM::PORT_STICKY.FRM_AGING_STICKY	Frame aging sticky bit	Per port

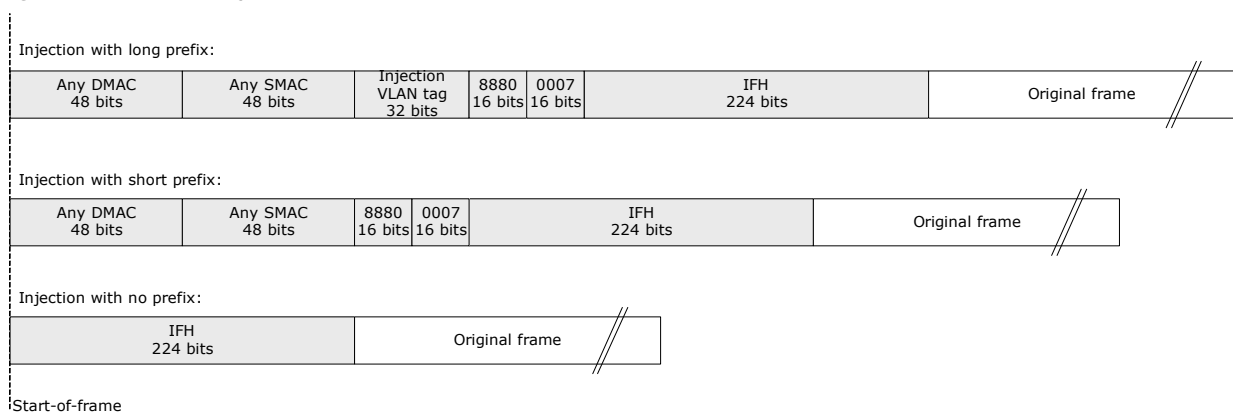
3.9.2 Setting Up a Port for Frame Injection

Any front port and the internal CPU ports (ports 53-54) can be configured for frame injection. Frames that are to be injected must have an IFH prepended the frame data. Optionally, the frame can further be prepended an SMAC, a DMAC, and a VLAN tag. This results in the following three prefix formats for injection frames:

- Injection with long prefix
- Injection with short prefix
- Injection with no prefix

The injection format is selected in `ASM::PORT_CFG.INJ_FORMAT_CFG`. The prefix formats are shown in the following illustration.

Figure 10 • Frame Injection Formats



For the long prefix, the incoming frame is matching against a programmable VLAN tag. The VLAN tag is common for all ports. Only the VID and TPID fields of the VLAN tag are compared. The following table lists the injection VLAN configuration register.

Table 39 • Injection VLAN Register Overview

Target::Register.Field	Description	Replication
ASM::INJ_VLAN_CFG.INJ_VID_CFG	Injection tag VID	1
ASM::INJ_VLAN_CFG.INJ_TPID_CFG	Injection tag TPID	1

When a port is setup to receive frames with either a short prefix or a long prefix, the incoming frames are checked against the selected prefix. If the prefix does not match, an error indication is set in `ASM::PORT_STICKY.IFH_PREFIX_ERR_STICKY`. Depending on the setting of `ASM::PORT_CFG.INJ_DISCARD_CFG`, the frames are processed in one of the three following modes.

- None. Both compliant and non-compliant frames are forwarded. Compliant frames are forwarded based on the IFH, and non-compliant frames are forwarded as regular frames.
- Drop non-compliant. Compliant frames are forwarded based on the IFH, and non-compliant frames are discarded.
- Drop compliant. Compliant frame are discarded, and non-compliant frames are forwarded as normal frames.

If a CPU port is used for frame injection, `ASM::PORT_CFG.NO_PREAMBLE_ENA` must be set to 1 so that the assembler does not expect frame data to be prepended with a preamble.

If a front port is used for frame injection, `ASM::PORT_CFG.SKIP_PREAMBLE_ENA` must be set to 1 to discard the preamble data before processing of the prepended injection header.

3.9.3 Setting Up MAC Control Sublayer PAUSE Frame Detection

The following table lists the PAUSE frame detection configuration registers in the assembler.

Table 40 • PAUSE Frame Detection Configuration Register Overview

Target::Register.Field	Description	Replication
ASM::PAUSE_CFG.ABORT_PAUSE_ENA	Stop forwarding of PAUSE frames	Per port
ASM::PAUSE_CFG.ABORT_CTRL_ENA	Stop forwarding of MAC control frames	Per port
ASM::MAC_ADDR_HIGH_CFG.MAC_ADDR_HIGH	Bits 47-24 of DMAC address checked in MAC_Control frames	Per port
ASM::MAC_ADDR_LOW_CFG.MAC_ADDR_LOW	Bits 23-0 of DMAC address checked in MAC_Control frames	Per port

The assembler is responsible for detecting PAUSE frames and forwarding the PAUSE value to the disassembler. Because PAUSE frames belong to the MAC control sublayer, they should in general be filtered and not forwarded to a higher layer; that is, forwarded on the cell bus so they reach the analyzer. The filtering is done by abort marking the frame.

The PAUSE frame and other MAC control frames can be forwarded to the analyzer. For PAUSE frame forwarding, ASM::PAUSE_CFG.ABORT_PAUSE_ENA must be set to 0. For other MAC control frame forwarding, ASM::PAUSE_CFG.ABORT_CTRL_ENA must be set to 0.

When PAUSE frames are received, the DMAC address is checked. The DMAC address must be either the 48-bit multicast address 01-80-C2-00-00-01 as mentioned by IEEE802.3 Annex 31B.1 or the MAC address of the port, which is configured in ASM::MAC_ADDR_HIGH_CFG.MAC_ADDR_HIGH and ASM::MAC_ADDR_LOW_CFG.MAC_ADDR_LOW.

Note: The values configured in ASM::MAC_ADDR_HIGH_CFG.MAC_ADDR_HIGH and ASM::MAC_ADDR_LOW_CFG.MAC_ADDR_LOW must match the value configured in DSM::MAC_ADDR_BASE_HIGH_CFG.MAC_ADDR_HIGH and DSM::MAC_ADDR_BASE_LOW_CFG.MAC_ADDR_LOW.

The number of received PAUSE frames is tracked as part of the port statistics. For more information, see [Setting Up Assembler Port Statistics](#), page 55.

3.9.4 Setting Up PFC

The PFC module of the assembler identifies PFC PAUSE frames by checking if the DMAC matches the reserved multicast address 01-80-c2-00-00-01, the Type/Length field matches a MAC control frame (0x8808), and the opcode is indicating a PFC frame (0x0101). Upon receiving a PFC PAUSE frame, the assembler extracts and stores the timer information for all enabled priorities in the assembler PFC timers. The PFC module generates a stop signal towards the queue system based on the current timer values.

Detection of PFC frames is enabled by setting ASM::PFC_CFG.RX_PFC_ENA to 1 for the respective (port,priority). When enabling PFC the current link speed for the port must be configured in ASM::PFC_CFG.FC_LINK_SPEED for timing information to be evaluated correctly. The PFC configuration registers are shown in the following table.

Table 41 • PFC Configuration Register Overview

Target::Register.Field	Description	Replication
ASM::PFC_CFG.RX_PFC_ENA	Enable PFC per priority	Per port
ASM::PFC_CFG.FC_LINK_SPEED	Configure the link speed	Per port

3.9.5 Setting Up Assembler Port Statistics

The assembler collects port statistics for all DEV1Gs and DEV2G5s. Statistics are also collected from the disassembler and the assembler. Port statistics for DEV10Gs are not collected in the assembler and must be looked up in each DEV10G separately.

The following table lists the port statistics configuration register in the assembler.

Table 42 • Port Statistics Configuration Register Overview

Target::Register.Field	Description	Replication
ASM::STAT_CFG.STAT_CNT_CLR_SHOT	Statistics counter initialization.	1
ASM::PORT_CFG.CSC_STAT_DIS	Disables collection of statistics in the ASM.	Per port

Port statistics inside the ASM are stored in RAMs. Before they can be used, they must be initialized to 0 by setting ASM::STAT_CFG.STAT_CNT_CLR_SHOT to 1.

The statistic counters start counting as soon as the hardware has reset ASM::STAT_CFG.STAT_CNT_CLR_SHOT to 0.

For information about the lists of port statistics registers available per port, see ASM:DEV_STATISTICS register group in the Register List.

For the 10G capable ports, set ASM::PORT_CFG.CSC_STAT_DIS to 1 when the port is set up for speeds faster than 2.5G, because the collection of statistics are handled locally in the DEV10G. For lower speeds, the port uses a DEV2G5.

All statistic counters have a width of 32 bits, except for the five byte-counters; RX_IN_BYTES_CNT, RX_OK_BYTES_CNT, RX_BAD_BYTES_CNT, TX_OUT_BYTES_CNT, and TX_OK_BYTES_CNT. Those have an additional 4-bit MSB counter. When reading from counters with more than 32 bits, the non-MSB part has to be read first in order to latch the MSB part into a shadow register, where the value can be read afterward. For writing, the MSB part must be written first.

3.9.6 Setting Up the Loopback Path

Cells to be looped back by the assembler are received on a separate loopback cell bus interface from the rewriter. The assembler merges the loopback data with data received from the ports onto the outgoing cell bus towards the analyzer. Loopback data belongs to one of the three following types.

- Virtual device 0 (VD0)
- Virtual device 1 (VD1)
- Front port loopback (LBK)

Each of the three loopback traffic types has its own FIFO. VD0 is accessed at register replication 0, VD1 at register replication 1, and LBK at register replication 2. The following table lists the loopback configuration registers.

Table 43 • Loopback FIFO Configuration Register Overview

Target::Register.Field	Description	Replication
ASM::LBK_FIFO_CFG.FIFO_FLUSH	Flush all data in the FIFO.	Per FIFO
ASM::VD_FC_WM.VD_FC_WM	Watermark for flow control towards the queue system.	Per VD FIFO

A FIFO can be flushed using the ASM::LBK_FIFO_CFG.FIFO_FLUSH register. The register field clears itself when the flush is completed.

Cells in the FIFO can be discarded due to aging. If a frame is discarded due to aging, a per port sticky bit is set in ASM::LBK_AGING_STICKY. The following table lists the loopback FIFO sticky bit registers.

Table 44 • Loopback FIFO Sticky-Bit Registers Overview

Target::Register.Field	Description	Replication
ASM::LBK_AGING_STICKY.LBK_AGING_STICKY	Set if a frame has been discarded due to aging. Per port bitmask.	1
ASM::LBK_OVFLW_STICKY.LBK_OVFLW_STICKY	Set if a frame have been discarded due to overflow.	1

For VD0 and VD1, the loopback block pushes back towards the queue system to avoid FIFO overflows. The watermark for configuring the FIFO level at which push back is active can be set in ASM::VD_FC_WM.VD_FC_WM. The watermark can be configured individually for VD0 and VD1.

No flow control handling exists for the LBK FIFO. In case of overflow, all new cells received from the rewriter are discarded, and a bit in the ASM::LBK_OVFLW_STICKY.LBK_OVFLW_STICKY sticky-bit register is set.

3.10 Versatile Content-Aware Processor (VCAP™)

The Versatile Content-Aware Processor (VCAP™) is a content-aware packet processor that allows wire-speed packet inspection for rich implementation of, for example, advanced VLAN and QoS classification and manipulations, IP source guarding, and security features for wireline and wireless applications. This is achieved by programming rules into the VCAP.

When a VCAP is enabled, every frame passing through the switch is analyzed and multiple keys are created based on the contents of the packet. The frame is examined to determine the frame type (for example, IPv4 TCP frame), so that the frame information is extracted according to the frame type, port-specific configuration, and classification results from the basic classification. Keys are applied to the VCAP and when there is a match between a key and a rule in the VCAP, the rule is then applied to the packet from which the key was extracted.

A rule consists of an entry, an action, and a counter. Keys are matched against the entry of a rule. When a rule is matched, the action is returned by the VCAP, and the rule's counter is incremented.

One and only one rule will match a key. If a key matches more than one rule, the rule at the highest address is selected. This means that a rule at high address takes priority over rules at lower addresses. When a key does not match a rule, a default rule is triggered. A default rule's action is programmable just like regular rules. Some VCAPs have more than one default rule; which default rule to use is determined at the same time as the key is created and applied to the VCAP.

This section provides information about entries and actions in general terms. When discussing an entry or an action, it is considered a vector of bits that is provided by software. For information about building classification matching (CLM) keys, see [VCAP CLM Keys and Actions](#), page 73. For information about building ingress stage 2 (IS2) keys, see [VCAP IS2 Keys and Actions](#), page 147. For information about building longest prefix matching (LPM) keys, see [VCAP CLM Keys and Actions](#), page 73. For information about building egress stage 0 (ES0) keys, see [VCAP_ES0 Lookup](#), page 247.

The following sections describe how to program rules into the VCAPs of the devices. First, a general description of configuration and VCAP operations is provided, including a description of wide VCAP rules. Second, detailed information about individual VCAPs is provided. Finally, a few practical examples illustrate how everything fits together when programming rules into VCAPs.

3.10.1 Configuring VCAP

Registers are available in two targets: VCAP_ES0 and VCAP_SUPER. Use VCAP_ES0 to configure the VCAP ES0 target and the VCAP_SUPER target for all other VCAPs.

The following table lists the registers associated with VCAP_ES0 and VCAP_SUPER.

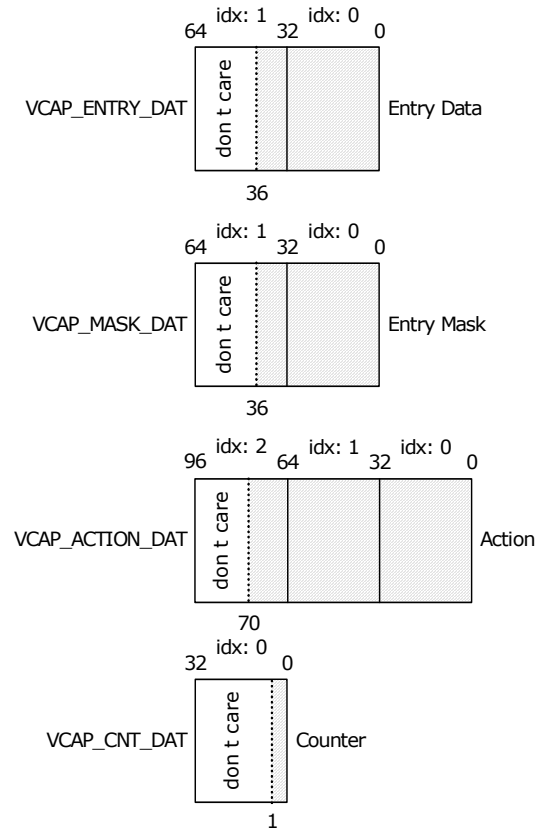
Table 45 • VCAP_ES0 and VCAP_SUPER Registers

Register	Description
VCAP_UPDATE_CTRL	Initiates of read/write/move/initialization operations
VCAP_MV_CFG	Configures move/initialization operations
VCAP_CORE_IDX	Resource allocation, core index (does not apply to ES0)
VCAP_CORE_MAP	Resource allocation, mapping of cores (does not apply to ES0)
VCAP_ENTRY_DAT	Cache: Entry data
VCAP_MASK_DAT	Cache: Entry mask
VCAP_ACTION_DAT	Cache: Action
VCAP_CNT_DAT	Cache: Sticky-counter
VCAP_RULE_ENA	Cache: Rule enable (only applies to ES0)

A rule in the VCAP consists of an entry, action, and counter showing if the entry was hit. Rules are accessed indirectly through a cache. The cache corresponds to one address in VCAP memory. Software access the cache using the VCAP configuration registers VCAP_ENTRY_DAT, VCAP_MASK_DAT, VCAP_ACTION_DAT, and VCAP_CNT_DAT.

The following illustration shows an example cache register mapping for a VCAP with 36-bit entry data/mask, 70-bit action, and a 1-bit sticky counter. Cache registers are replicated to accommodate fields that are wider than 32 bits. For example, if the entry size is 36 bits, bits [31:0] are accessed using VCAP_ENTRY_DAT[0][31:0], and bits [35:32] are accessed using VCAP_ENTRY_DAT[1][3:0].

Figure 11 • VCAP Cache Layout Example



Entries have both entry data and entry mask fields. This allows a don't-care of any bit position in the key when matching a key against entries.

Table 46 • Entry Bit Encoding

VCAP_ENTRY_DAT[n]/ VCAP_MASK_DAT[n]	Description
0/0	Bit n is encoded for the match-0 operation. When a key is applied to the VCAP, this bit in the entry will match a 0 at position n in the key.
0/1	Bit n is encoded for match-any operation. When a key is applied to the VCAP, this bit in the entry will match both 0 and 1 at position n in the key. This encoding is sometimes referred to as don't care.
1/0	Bit n is encoded for match-1 operation. When a key is applied to the VCAP, this bit in the entry will match a 1 at position n in the key.
1/1	Bit n is encoded for match-off operation. The entry will never match any keys. This encoding is not available in the VCAP ES0. Instead, it is treated as match-any.

When programming a rule that does not use all the available bits in the cache, remaining (undefined) entry bits must be set to match-0, and action bits must be set to zeros.

To disable a rule, one or more bits in the entry is set to match-off. VCAP ES0 does not allow match-off encoding. Rules are instead enabled and disabled by the VCAP_RULE_ENA.RULE_ENA cache field.

The counter for a rule is incremented when the entry of the rule is matched by a key. Counters that are 1-bit wide do not wrap, but instead saturate at 1.

3.10.1.1 Writing, Reading, and Initializing Rules

All access to and from VCAP memory goes through the cache.

To write a rule in the VCAP memory at address a : Entry data, entry action, and counter is first written to the cache registers and then transferred into VCAP memory by triggering a write operation on the cache by setting VCAP_UPDATE_CTRL.UPDATE_CMD = 0, VCAP_UPDATE_CTRL.UPDATE_ADDR = a , and VCAP_UPDATE_CTRL.UPDATE_SHOT = 1. The UPDATE_SHOT field is cleared by hardware when the rule has put into VCAP memory.

To read a rule from address a in the VCAP memory: Trigger a read operation on the cache by setting VCAP_UPDATE_CTRL.UPDATE_CMD = 1, VCAP_UPDATE_CTRL.UPDATE_ADDR = a , and VCAP_UPDATE_CTRL.UPDATE_SHOT = 1. The UPDATE_SHOT field is cleared by hardware when a copy of the rule is available for reading via cache registers.

Active rules must not be overwritten by other rules (except when writing disabled rules). Software must make sure that addresses are initialized before they are written.

It is possible to write the contents of the cache can be written to a range of addresses inside VCAP memory. This is used during initialization of VCAP memory.

To write the contents of the cache to addresses a through b in VCAP memory, where $a < b$: Trigger an initialization-operation by setting VCAP_MV_CFG.MV_NUM_POS = $b-a$. And VCAP_UPDATE_CTRL.UPDATE_CMD = 4, VCAP_UPDATE_CTRL.UPDATE_ADDR = a , and VCAP_UPDATE_CTRL.UPDATE_SHOT = 1. When the UPDATE_SHOT field is cleared, the addresses have been overwritten with the contents of the cache.

The cache can be cleared by writing VCAP_UPDATE_CTRL.CLEAR_CACHE = 1. This immediately sets the contents of the entry to disabled, action and counter is set to all-zeros.

VCAP_UPDATE_CTRL.CLEAR_CACHE can be set at the same time as triggering a write or initialization operation, the cache will be cleared before writing to the VCAP memory.

It is possible to selectively disable access to entry, action, and/or counter during operations by setting VCAP_UPDATE_CTRL.UPDATE_ENTRY_DIS, VCAP_UPDATE_CTRL.UPDATE_ACTION_DIS, or VCAP_UPDATE_CTRL.UPDATE_CNT_DIS. These fields allow specialized operations such as clearing counter values by performing initialization or write operations with disabled entry and action updating.

3.10.1.2 Moving a Block of Rules

The VCAP supports move operation for efficient and safe moving of rules inside VCAP memory. Moving may be required to make room for new rules, because rules are prioritized by address.

To move n addresses from address a to address b in VCAP memory: Trigger a move-operation by setting `VCAP_MV_CFG.MV_NUM_POS = (a>b ? a-b : b-a)`, `VCAP_MV_CFG.MV_SIZE = (n-1)`. And setting `VCAP_UPDATE_CTRL.UPDATE_CMD = (a>b ? 2 : 3)`, `VCAP_UPDATE_CTRL.UPDATE_ADDR = a`, and `VCAP_UPDATE_CTRL.UPDATE_SHOT = 1`. When the `UPDATE_SHOT` field is cleared, the contents of the addresses have been moved inside VCAP memory. The cache is overwritten during the move-operation.

Rules must not be moved to a region that contains active rules. Software must make sure that destination addresses are initialized before performing a move operation. After moving rules the move operation leaves VCAP memory in initialized state, so overlapping source and destination regions is not a problem during move operations.

3.10.1.3 Sharing Resources

The devices implement a shared pool of blocks that can be distributed freely among the CLM and IS2 VCAPs. The LPM can be assigned either no blocks or assigned one block. Each block in the pool has 4,096 addresses with entries, actions, and counters. The number of blocks available in the VCAP shared pool depends on the device; VSC7442-02 has four blocks, VSC7444-02 has six blocks, and VSC7448-02 and VSC7449-02 have eight blocks.

Blocks are located back-to-back in the VCAP memory space. Block 0 is assigned addresses 0 through 4,095; block 1 is assigned addresses 4,096 through 8,191; and so on. Prioritizing of rules based on address still applies when multiple blocks are assigned to the same VCAP.

To simplify software development, all blocks assigned to the same VCAP should be allocated as one consecutive region of addresses in memory. After a block of VCAP resources is allocated to a VCAP, it cannot be reallocated. Resource assignment must be done during startup before the VCAPs are enabled.

After reset, all VCAP resources default to unallocated power-down mode. To allocate a block from the shared pool, write block index to `VCAP_CORE_IDX.CORE_IDX`, then map it to a specific interface by writing `VCAP_CORE_MAP.CORE_MAP`. For more information, see the register description for encoding of owners.

3.10.1.4 Bringing Up VCAP

The contents of the VCAP are unknown after reset. Software must initialize all addresses of the VCAP to disabled entry and all-zeros in action and counter before enabling lookups.

The default rules of the VCAPs must also be initialized. After lookup is enabled for the VCAPs, default rules are triggered and applied to frames.

Some VCAPs implement resource sharing. As a result, software must allocate resources as part of VCAP bring up.

For more information about default addresses rules and resource allocation, see [Individual VCAPs](#), page 61.

3.10.2 Wide VCAP Entries and Actions

Some VCAPs support entries and actions that are wider than a single address in the VCAP memory. The size of an entry or action is described as Xn , where n is the number of addresses that is taken up in memory. When programming an X2 or larger entry or action, addresses are written one by one until the entire entry or action is written to VCAP memory.

A rule consists of one entry and one action. The size of the rule is described as Xn where n is the largest of entry or action widths. For example, a rule consisting of an X2 entry and an X4 action is considered to be an X4 rule. The entry and action must start at the same address, so that address offset 0 for both entry and action is located at the same address inside the VCAP memory.

When programming a rule where the action is wider than the entry, entry addresses exceeding the size of the entry must be disabled. When the entry is wider than the action, action addresses exceeding the size of the action must be set to zeros.

The starting address of an Xn rule must be divisible by n . This means that X1 rules may be placed at any address, X2 rules may only be placed at even addresses, X4 rules may only be placed at addresses divisible by 4, and so on. During move-operations this puts a restriction on the distance that rules are moved. In other words, when performing move-operation on a region of VCAP memory that contains rules of X2 or larger size, the rules must still be at legal addresses after the move.

When a rule is matched by a key, the counter at address offset 0 is incremented.

When writing an X2 or larger rule, software must start with the highest address and end with the lowest address. This is needed so that rules are not triggered prematurely during writing. When disabling rules, software must start by disabling the lowest address. This is automatically handled when using the initialization operation for disabling rules.

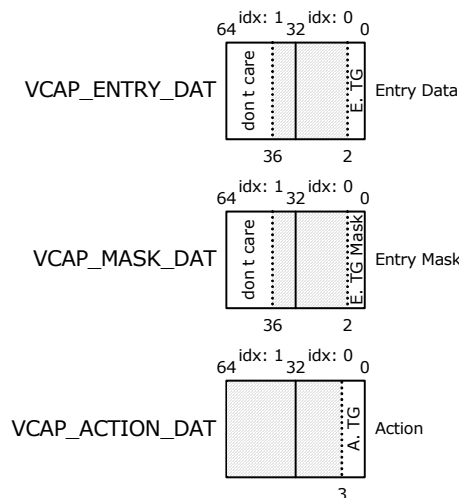
3.10.2.1 Type-Group Fields

A special type-group field is required to differentiate rules when a VCAP supports different sized entries or actions. The type-group is not part of the entry/action description. Software has to manually lookup and insert type-group field into entry/action data when writing rules to VCAP memory.

The type-group field is placed at the low bits of the entry and/or action. The value and width of the type-group field differs between VCAPs and depends on the entry/action size of and the address offset into the rule. For more information about type-group fields for individual VCAPs, see [Individual VCAPs](#), page 61.

The following illustration shows an example of inserting a 2-bit entry type-group field and a 3-bit action type-group field for a VCAP with 36-bit entry data/mask and a 64-bit action. After inserting of type-group, there is room for 34 additional entry/mask bits and 61 action bits in the cache.

Figure 12 • VCAP Cache Type-Group Example



When programming the entry's type-group field, the mask bits must be set to zeros, so that the type-group bits consist of match-1 or match-0, or both.

Use the following procedure for each address that is part of an entry.

1. Use the entry's current address offset and size to find the appropriate type-group field and associated field-width by using the entry type-group table for the VCAP. Skip step 2 if entry type-group is not applicable for the VCAP.
2. Insert the entry type-group field into the cache for a type-group field width of n . Write the value of the type-group field to bit-positions $[n-1:0]$ in VCAP_ENTRY_DAT and write zeros to bit-positions $[n-1:0]$ in VCAP_MASK_DAT. In this way, type-group field value 1 becomes match-1 and 0 becomes match-0.

- Fill the remainder of VCAP_ENTRY_DAT and VCAP_MASK_DAT with appropriate entry data. There will be room for (entry width – type-group width) additional bits of entry data.

Use the following procedure for each address is that is part of an action.

- Use the action's current address offset and size to find the appropriate type-group field and associated field-width by using the action type-group table for the VCAP. Skip step 2 if action type-group is not applicable for the VCAP.
- Insert the action type-group field into the cache. For a type-group field width of n . Write the value of the type-group field to bit positions $[n-1:0]$ in VCAP_ACTION_DAT.
- Fill the remainder of VCAP_ACTION_DAT with appropriate action data. There will be room for (action width – type-group width) additional bits of action data.

Counters never use type-group encoding.

3.10.3 Individual VCAPs

This section provides detailed information about the individual VCAPs; VCAP CLM, VCAP IS2, VCAP LPM, and VCAP ES0. The CLM, IS2, and LPM VCAPs share resources. For more information, see [Sharing Resources](#), page 59.

3.10.3.1 VCAP CLM

The following table lists the parameters that apply to the VCAP CLM.

Table 47 • VCAP CLM Parameters

Parameter	Description
Number of VCAP addresses	4,096 per block that is allocated to this VCAP
Width of entry	36 bits per address
Width of action	70 bits per address
Counter type	1-bit saturating counter
Supported entry sizes	X1, X2, X4, X8, and X16
Supported action sizes	X1, X2, X4
Associated register target	VCAP_SUPER

The type-group field must be inserted into entries when programming rules, because the VCAP CLM supports more than one entry size.

Table 48 • VCAP CLM Entry Type-Group Fields

Address Offset	Size	Entry Type Group	Description
0	X1	0b1	Software must insert 1 bit with the value 1 into first address of all X1 entries.
0	X2	0b10	Software must insert 2 bit with the value 2 into first address of all X2 entries.
0	X4	0b100	Software must insert 3 bit with the value 4 into first address of all X4 entries.
0	X8	0b1000	Software must insert 4 bit with the value 8 into first address of all X8 entries.
0	X16	0b10000	Software must insert 5 bit with the value 16 into first address of all X16 entries.
1, 3, 5, 7, 9, 11, 13, and 15		0b0	Software must insert 1 bit with the value 0 into uneven addresses of all entries.

Table 48 • VCAP CLM Entry Type-Group Fields (continued)

Address Offset	Size	Entry Type Group	Description
2, 6, 10, and 14		0b00	Software must insert 2 bit with the value 0 into addresses 2, 6, 10, and 14 of all entries.
4 and 12		0b000	Software must insert 3 bit with the value 0 into addresses 4 and 12 of all entries.
8		0b0000	Software must insert 4 bit with the value 0 into addresses 8 of all entries.

The type-group field must be inserted into actions when programming rules, because the VCAP CLM supports more than one action size.

Table 49 • VCAP CLM Action Type-Group Fields

Address Offset	Size	Action Type Group	Description
0	X1	0b1	Software must insert 1 bit with the value 1 into first address of all X1 actions.
0	X2	0b10	Software must insert 2 bit with the value 2 into first address of all X2 actions.
0	X4	0b100	Software must insert 3 bit with the value 4 into first address of all X4 actions.
1 and 3		0b0	Software must insert 1 bit with the value 0 into uneven addresses of all actions.
2		0b00	Software must insert 2 bit with the value 0 into address 2 of all actions.

It is possible to calculate the distribution of entry and action bits in the VCAP CLM based on entry and action widths, together with the type-group field-widths.

Table 50 • VCAP CLM Entry/Action Bit Distribution

Address offset	X1	X2	X4	X8	X16
0	e[34:0], a[68:0]	e[33:0], a[67:0]	e[32:0], a[66:0]	e[31:0]	e[30:0]
1		e[68:34], a[136:68]	e[67:33], a[135:67]	e[66:32]	e[65:31]
2			e[101:68], a[203:136]	e[100:67]	e[99:66]
3			e[136:102], a[272:204]	e[135:101]	e[134:100]
4				e[168:136]	e[167:135]
5				e[203:169]	e[202:168]
6				e[237:204]	e[236:203]
7				e[272:238]	e[271:237]
8					e[303:272]
9					e[338:304]
10					e[372:339]

Table 50 • VCAP CLM Entry/Action Bit Distribution (continued)

Address offset	X1	X2	X4	X8	X16
11					e[407:373]
12					e[440:408]
13					e[475:441]
14					e[509:476]
15					e[544:510]

The VCAP CLM implements default rules. When submitting a key to the VCAP CLM, the analyzer simultaneously decides which default rule to hit if the key does not match any entries in the VCAP. If no resources (blocks) are assigned to VCAP CLM, there can be no matches. As a result, default rules will be hit.

Table 51 • VCAP CLM Default Rule Addresses

VCAP	Number of Default Rules	Address
CLM0	114	Starting address of CLM0 default rule number n is $(32,768 + n \times 16)$.
CLM1	114	Starting address of CLM1 default rule number n is $(34,592 + n \times 16)$.
CLM2	114	Starting address of CLM2 default rule number n is $(36,416 + n \times 16)$.

3.10.3.2 VCAP IS2

The following table lists the parameters that apply to the VCAP IS2.

Table 52 • VCAP IS2 Parameters

Parameter	Description
Number of VCAP addresses	4,096 per block that is allocated to this VCAP
Width of entry	36 bits per address
Width of action	70 bits per address
Counter-type	1-bit saturating counter
Supported entry sizes	X4, X8, X16
Supported action sizes	X4
Associated register target	VCAP_SUPER

The type-group field must be inserted into entries when programming rules, because the VCAP IS2 supports more than one entry size.

Table 53 • VCAP IS2 Entry Type-Group Fields

Address Offset	Size	Entry Type-Group	Description
0	X4	0b1	Software must insert 1 bit with the value 1 into first address of all X4 entries.
0	X8	0b10	Software must insert 2 bit with the value 2 into first address of all X8 entries.
0	X16	0b100	Software must insert 3 bit with the value 4 into first address of all X16 entries.

Table 53 • VCAP IS2 Entry Type-Group Fields (continued)

Address Offset	Size	Entry Type-Group	Description
1, 2, 3, 5, 6, 7, 9, 10, 11, 13, 14, and 15			Software must not insert type-group into addresses 1, 2, 3, 5, 6, 7, 9, 10, 11, 13, 14, and 15 for entries.
4 and 12		0b0	Software must insert 1 bit with the value 0 into addresses 4 and 12 of all entries.
8		0b00	Software must insert 2 bits with the value 0 into address 8.

Because only one action size is supported by the VCAP IS2, no type-group is inserted into actions when programming rules.

It is possible to calculate the distribution of entry and action bits in the VCAP IS2 based on entry and action widths together with the entry type-group field width.

Table 54 • VCAP IS2 Entry/Action Bit Distribution

Address Offset	X4	X8	X16
0	e[34:0], a[69:0]	e[33:0]	e[32:0]
1	e[70:35], a[139:70]	e[69:34]	e[68:33]
2	e[106:71], a[209:140]	e[105:70]	e[104:69]
3	e[142:107], a[279:210]	e[141:106]	e[140:105]
4		e[176:142]	e[175:141]
5		e[212:177]	e[211:176]
6		e[248:213]	e[247:212]
7		e[284:249]	e[283:248]
8			e[317:284]
9			e[353:318]
10			e[389:354]
11			e[425:390]
12			e[460:426]
13			e[496:461]
14			e[532:497]
15			e[568:533]

The VCAP IS3 has 58 default rules. The address of default rule number n is $(38240 + 16 \times n)$. When submitting a key to the VCAP IS2, the analyzer simultaneously determines which default rule to hit if the key does not match any entries. If no resources (blocks) were assigned to VCAP IS2, there can be no matches and default rules will be hit.

3.10.3.3 VCAP LPM

The following table lists the parameters that apply to the VCAP LPM.

Table 55 • VCAP LPM Parameters

Parameter	Description
Number of VCAP addresses	4,096 per block that is allocated to this VCAP
Width of entry	36 bit per address
Width of action	70 bit per address
Counter-type	1 bit saturating counter
Supported entry sizes	X1, X2, X4, X8
Supported action sizes	X1
Associated register target	VCAP_SUPER

The type-group field must be inserted into entries when programming rules, because the VCAP LPM supports more than one entry size.

Table 56 • VCAP LPM Entry Type-Group Fields

Address Offset	Size	Entry Type Group	Description
0	X1	0b1	Software must insert 1 bit with the value 1 into first address of all X1 entries.
0	X2	0b10	Software must insert 2 bit with the value 2 into first address of all X2 entries.
0	X4	0b100	Software must insert 3 bit with the value 4 into first address of all X4 entries.
0	X8	0b1000	Software must insert 4 bit with the value 8 into first address of all X8 entries.
1, 3, 5, and 7		0b0	Software must insert 1 bit with the value 0 into uneven addresses of all entries.
2 and 6		0b00	Software must insert 2 bit with the value 0 into addresses 2 and 6 of all entries.
4		0b000	Software must insert 3 bit with the value 0 into addresses 4 of all entries.

Because only one action size is supported by the VCAP LPM, no type-group is inserted into actions when programming rules.

It is possible to calculate the distribution of entry and action bits in the VCAP LPM based on entry and action widths together with the entry type-group field width.

Table 57 • VCAP LPM Entry/Action Bit Distribution

Address Offset	X1	X2	X4	X8
0	e[34:0], a[69:0]	e[33:0]	e[32:0]	e[31:0]
1		e[68:34]	e[67:33]	e[66:32]
2			e[101:68]	e[100:67]
3			e[136:102]	e[135:101]
4				e[168:136]

Table 57 • VCAP LPM Entry/Action Bit Distribution (continued)

Address Offset	X1	X2	X4	X8
5				e[203:169]
6				e[237:204]
7				e[272:238]

The VCAP LPM does not implement default rules. If the key does not match any entries, or if no resources (blocks) are assigned to the VCAP LPM, routing lookups are treated as misses.

3.10.3.4 VCAP ES0

The VCAP ES0 has 4,096 addresses available.

The following parameters apply to the VCAP ES0.

Table 58 • VCAP ES0 Parameters

Parameter	Description
Number of VCAP addresses	4,096.
Width of entry	35 bits per address.
Width of action	285 bits per address.
Counter-type	1-bit saturating counter.
Supported entry sizes	X1.
Supported action sizes	X1.
Associated register target	VCAP_ES0.

The type-group field is not used when programming entries and actions, because VCAP ES0 supports only one entry size and one action size.

The following table shows the distribution of entry and action bits in the VCAP ES0.

Table 59 • VCAP ES0 Entry/Action Bit Distribution

Address Offset	X1
0	e[29:0], a[284:0]

The VCAP ES0 has 53 default rules. The address of default rule number n is $(4,096 + n)$. When submitting a key to the VCAP ES0, the rewriter simultaneously decides which default rule to hit if the key does not match any entries in the VCAP.

3.10.4 VCAP Programming Examples

This section provides examples of programming VCAP CLM and VCAP ES0.

3.10.4.1 Writing a Wide CLM Rule

This example shows how to write a CLM X4 rule, consisting of an X2 TRI_VID entry and an X4 FULL action, to the CLM1 VCAP. In this example, the second and third blocks of VCAP resources have already been mapped to CLM1.

When the second and third resource blocks are mapped to CLM1, it then owns VCAP address range 4096-12287. An X4 rule must be placed on an address inside memory owned by CLM1 and starting addresses must be divisible by four, because it is an X4 rule. In this example, the X4 rule is written to addresses 4484-4487.

Software is expected to track memory usage so that it only writes to VCAP memory that does not already contain active rules. Deleting of rules is done by initializing the associated addresses.

The X2 TRI_VID entry is 69 bits wide. The X4 FULL action is 250 bits wide. For information about how to build a FULL action, see [VCAP CLM Actions](#), page 93. For information about how to build a TRI_VID entry, see [VCAP CLM X2 Key Details](#), page 77.

Each address holds 36 bits of entry data/mask, but some of them are used for type-group fields. For more information about TRI_VID's entry type-group field and entry bit-ranges for address offset 0 and 1, [Table 48](#), page 61 and [Table 50](#), page 62. The results are shown in the following table.

Table 60 • CLM X2 Entry Type-Group and Distribution Summary

Address	Type-Group Field	Entry Data/Mask Range
1412	0b10	[33:0]
1413	0b0	[68:34]

Note: The TRI_VID entry completely fills available entry space. If it had been less than 69 bits wide, then MSBs at address offset 1 would have been treated as Match-0.

Each address holds 64 bits of action, but some of them are used for type-group fields. For more information the FULL's action type-group field and the action bit ranges for all four address offsets, see [Table 48](#), page 61 and [Table 49](#), page 62. The results are shown in the following table.

Table 61 • CLM X4 Entry Type-Group and Distribution Summary

Address	Type-Group Field	Entry Data/Mask Range
1412	0b100	[66:0]
1413	0b0	[135:67]
1414	0b00	[203:136]
1415	0b0	[249:204]

The FULL action is only 250 bits wide, so bits [272:250] of address offset 3 must be treated as zeros.

Software must write the highest address offset first and work down to the lowest address offset.

3.10.4.1.1 Writing Address Offset 3 of X4 Rule

Software is not allowed to modify the cache while VCAP operation is ongoing. Always check if VCAP_UPDATE_CTRL.UPDATE_SHOT is cleared before starting to modify the cache. If a previous operation is still ongoing, wait for the UPDATE_SHOT to clear.

When a new rule is started, first clear cache's entry, action, and counter by setting VCAP_UPDATE_CTRL.CLEAR_CACHE = 1.

The TRI_VID entry is an X2 entry and not part of address offset 3. The entry at this address must be set to Match-off. This has already been achieved by clearing of the cache.

The FULL action is not so wide that it needs a third VCAP_ACTION_DAT replication, so the third VCAP_ACTION_DAT replication must be set to zero, which was already achieved by clearing the cache.

Write action to cache: VCAP_ACTION_DAT[1][31:0] = zero-extend(action[249:235]), VCAP_ACTION_DAT[0][31:1] = action[234:204], and VCAP_ACTION_DAT[0][0] = 0, because type-group field for the X4 CLM action at address offset 3 is 0b0.

Write cache to VCAP memory by setting VCAP_UPDATE_CTRL = (4|(1415<<3)).

3.10.4.1.2 Writing Address Offset 2 of X4 Rule

Wait for VCAP_UPDATE_CTRL.UPDATE_SHOT to clear.

The TRI_VID entry is an X2 entry and is not part of address offset 2, the entry at this address must be set to Match-off. This has already been achieved by clearing of the cache during write of address offset 3.

Write action to cache: $\text{VCAP_ACTION_DAT}[2][31:0] = \text{zero-extend}(\text{action}[203:198])$, $\text{VCAP_ACTION_DAT}[1][31:0] = \text{action}[197:166]$, $\text{VCAP_ACTION_DAT}[0][31:2] = \text{action}[165:136]$, and $\text{VCAP_ACTION_DAT}[0][1:0] = 0$, because type-group field for the X4 CLM action at address offset 2 is 0b00.

Write cache to VCAP memory by setting $\text{VCAP_UPDATE_CTRL} = (4|(1414<<3))$.

3.10.4.1.3 Writing Address Offset 1 of X4 Rule

Wait for $\text{VCAP_UPDATE_CTRL.UPDATE_SHOT}$ to clear.

Write entry data to cache: $\text{VCAP_ENTRY_DAT}[1][31:0] = \text{zero-extend}(\text{entry data}[68:65])$, $\text{VCAP_ENTRY_DAT}[0][31:1] = \text{entry data}[64:34]$, and $\text{VCAP_ENTRY_DAT}[0][0] = 0$, because type-group field for the X2 CLM entry at address offset 1 is 0b0.

Write entry mask to cache: $\text{VCAP_MASK_DAT}[1][31:0] = \text{zero-extend}(\text{entry mask}[68:65])$, $\text{VCAP_MASK_DAT}[0][31:1] = \text{entry mask}[64:34]$, and $\text{VCAP_MASK_DAT}[0][0] = 0$, because type-group field must not be don't-care.

Write action to cache: $\text{VCAP_ACTION_DAT}[2][31:0] = \text{zero-extend}(\text{action}[135:130])$, $\text{VCAP_ACTION_DAT}[1][31:0] = \text{action}[129:98]$, $\text{VCAP_ACTION_DAT}[0][31:1] = \text{action}[97:67]$, and $\text{VCAP_ACTION_DAT}[0][0] = 0$, because type-group field for the X4 CLM action at address offset 1 is 0b0.

Write cache to VCAP memory by setting $\text{VCAP_UPDATE_CTRL} = (4|(1413<<3))$.

3.10.4.1.4 Writing Address Offset 0 of X4 Rule

Wait for $\text{VCAP_UPDATE_CTRL.UPDATE_SHOT}$ to clear.

Write entry data to cache: $\text{VCAP_ENTRY_DAT}[1][31:0] = \text{zero-extend}(\text{entry data}[33:30])$, $\text{VCAP_ENTRY_DAT}[0][31:2] = \text{entry data}[29:0]$, and $\text{VCAP_ENTRY_DAT}[0][1:0] = 2$, because type-group field for the X2 CLM entry at address offset 0 is 0b10.

Write entry mask to cache: $\text{VCAP_MASK_DAT}[1][31:0] = \text{zero-extend}(\text{entry mask}[33:30])$, $\text{VCAP_MASK_DAT}[0][31:2] = \text{entry mask}[29:0]$, and $\text{VCAP_MASK_DAT}[0][1:0] = 0$, because type-group field must not be don't-care.

Write action to cache: $\text{VCAP_ACTION_DAT}[2][31:0] = \text{zero-extend}(\text{action}[66:61])$, $\text{VCAP_ACTION_DAT}[1][31:0] = \text{action}[60:29]$, $\text{VCAP_ACTION_DAT}[0][31:3] = \text{action}[28:0]$, and $\text{VCAP_ACTION_DAT}[0][2:0] = 4$, because type-group field for the X4 CLM action at address offset 0 is 0b100.

Write cache to VCAP memory by setting $\text{VCAP_UPDATE_CTRL} = (4|(1412<<3))$.

Once $\text{VCAP_UPDATE_CTRL.UPDATE_SHOT}$ is cleared, then the rule has been completely written to memory and will be able to match TRI_VID keys applied to the CLM1 VCAP.

3.10.4.2 Writing an ES0 Rule

This example shows how to write an ES0 rule, consisting of ISDX entry and ES0 action, to the VCAP ES0.

The ES0 is not part of any resource sharing so it owns the entire address range 0-4095. In this example, the rule is written to addresses 3215.

Software is expected to track memory usage so that it only writes to VCAP memory which does not already contain active rules.

The ISDX entry is 35 bits wide and the action is 285 bits wide. For information about how to build a ISDX entry and ES0 action, see [VCAP_ES0 Lookup](#), page 247.

3.10.4.2.1 Writing a Rule to ES0

Software is not allowed to modify the cache while VCAP operation is ongoing. Always check if $\text{VCAP_UPDATE_CTRL.UPDATE_SHOT}$ is cleared before starting to modify the cache. If a previous operation is still ongoing, then wait for the UPDATE_SHOT to clear.

When a new rule is started, first clear cache's entry, action, and counter by setting `VCAP_UPDATE_CTRL.CLEAR_CACHE = 1`.

Write entry data to cache: `VCAP_ENTRY_DAT[1][2:0] = entry data[34:32]` and `VCAP_ENTRY_DAT[0][31:0] = entry data[31:0]`.

Write entry mask to cache: `VCAP_MASK_DAT[1][2:0] = entry mask[34:32]` and `VCAP_MASK_DAT[0][31:0] = entry mask[31:0]`.

Write action to cache: `VCAP_ACTION_DAT[8][31:0] = zero-extend(action[284:256])`, `VCAP_ACTION_DAT[7][31:0] = action[255:224]`, `VCAP_ACTION_DAT[6][31:0] = action[223:192]`, `VCAP_ACTION_DAT[5][31:0] = action[191:160]`, `VCAP_ACTION_DAT[4][31:0] = action[159:128]`, `VCAP_ACTION_DAT[3][31:0] = action[127:96]`, `VCAP_ACTION_DAT[2][31:0] = action[95:64]`, `VCAP_ACTION_DAT[1][31:0] = action[63:32]`, and `VCAP_ACTION_DAT[0][31:0] = action[31:0]`.

Enable the rule by setting `VCAP_RULE_ENA = 1`.

Write cache to VCAP memory by setting `VCAP_UPDATE_CTRL = (4|(3215<<3))`.

After `VCAP_UPDATE_CTRL.UPDATE_SHOT` is cleared, the rule is completely written to memory and will be able to match ISDX keys applied to the VCAP ES0.

3.11 Pipeline Points

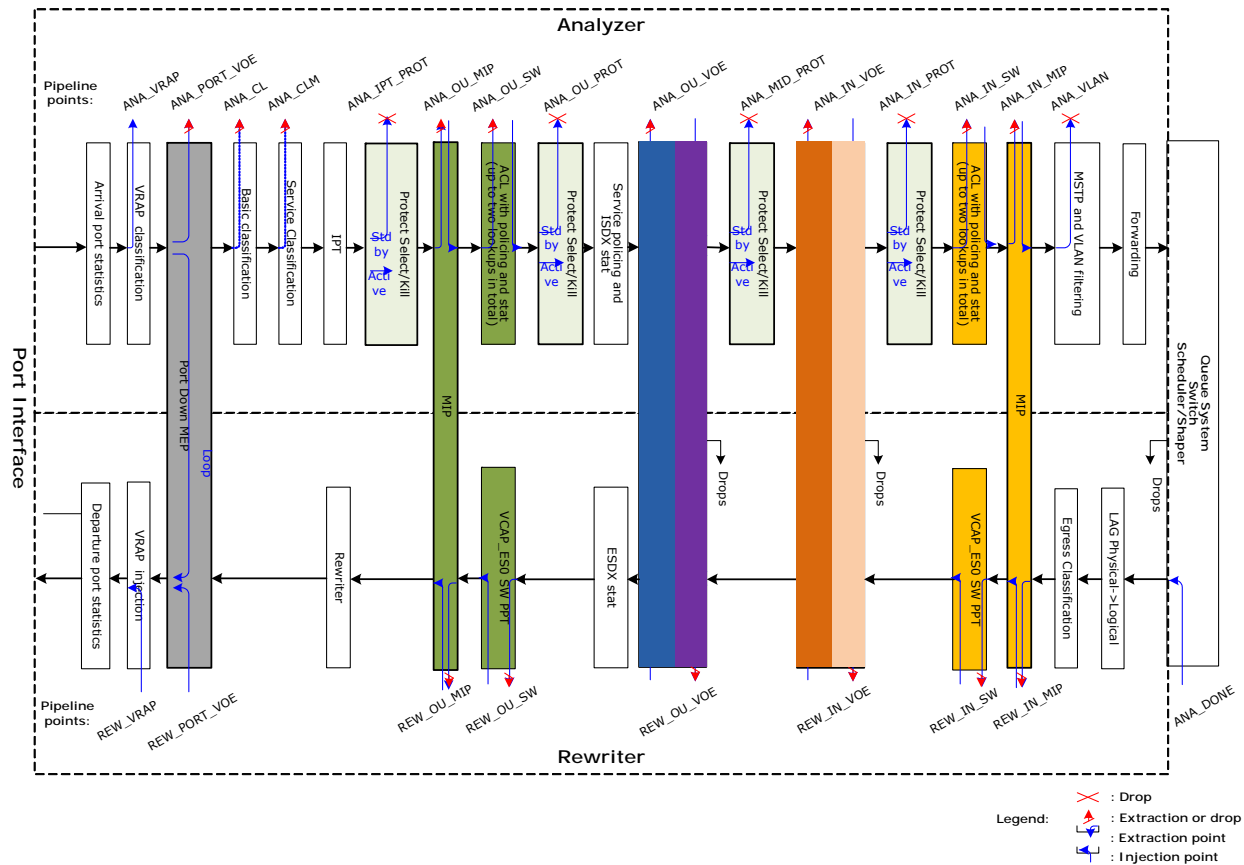
This section describes the use of pipeline points in the processing flow through the switch core. A pipeline point defines a specific position in the processing flow where frames can be injected, extracted, discarded, or looped. These actions are special, because they define either a starting point (inject) or an ending point (extract, discard, loop) in the processing flow. A starting point identifies the point in the processing flow where the processing of the frame begins. Similarly, an ending point identifies the point in the processing flow where the processing of the frame ends.

Frames subject to one of the actions injection, extraction, discarding, or looping, are assigned the associated pipeline point as well as a pipeline action defining what caused the pipeline point to be triggered. All frames are physically passed through all blocks of the processing flow, but each frame's pipeline point control determines whether it is actively processed in a given block or passed transparently to the next block; this includes which counters and policers are active.

The logical processing flow for a frame is shown in the following illustration. As an example of how the pipeline points affect the processing flow, consider a frame being discarded by the VLAN acceptance filter in the basic classification. The frame is assigned the `ANA_CL` pipeline point, and it is therefore not service classified and hence not service policed nor counted in the service statistics. For information about how the pipeline points affect policers and statistics, see [Policing](#), page 188.

The processing flow illustrates the different functional blocks and their pipeline points.

Figure 13 • Processing Flow



3.11.1 Pipeline Definitions

The IFH fields IFH.MISC.PIPELINE_PT and IFH.MISC.PIPELINE_ACT carry the frame's pipeline information (point and action). By default, no pipeline points are triggered and both fields are set to 0. This implies that there are no restrictions on the processing of the frame.

The following table defines the available pipeline points in the analyzer and the rewriter.

Table 62 • Pipeline Definitions

Pipeline Point	Block/Mechanism That Uses Pipeline Point	Application
ANA_VRAP	VRAP	VRAP extraction point.
ANA_PORT_VOE	Port VOE	Port VOE extraction/discard point.
ANA_CL	Basic classifier	Filter discard point/CPU injection point with software configured IFH.
ANA_CLM	VCAP CLM/service classification	CPU injection point with software configured IFH including service classification. Extraction point related to services.
ANA_IPT_PROT	IPT protection point	Protection discard point for e.g. LAG protection (where protection discard is done before Down MEPs) controlled by port VOE.
ANA_OU_MIP	Outer OAM half-MIP located in analyzer	Extraction/copy/injection point for analyzer half-MIP for: <ul style="list-style-type: none"> • UNI-N: Subscriber MIP • E-NNI: EVC MIP

Table 62 • Pipeline Definitions (continued)

Pipeline Point	Block/Mechanism That Uses Pipeline Point	Application
ANA_OU_SW	Outer software MEP with extraction controlled by VCAP IS2	SW MEP located between the VOEs and the port for: <ul style="list-style-type: none"> • Extraction point for SW Down-MEP • Injection point for SW Up-MEP
ANA_OU_PROT	Outer protection point controlled by IPT	Protection discard point controlled by IPT for NNI protection
ANA_OU_VOE	Outer OAM VOE located in analyzer/VOP	Outer VOE pipeline point for: <ul style="list-style-type: none"> • UNI: EVC OAM injection • E-NNI: OVC OAM Injection • NNI: Path OAM Extraction
ANA_MID_PROT	Middle protection point located between outer and inner VOE controlled by IPT	Protection discard point for path protection controlled by path MEP.
ANA_IN_VOE	Inner OAM VOE located in analyzer/VOP	Inner VOE pipeline point for: <ul style="list-style-type: none"> • UNI: OVC OAM injection • NNI: EVC/OVC OAM segment extraction
ANA_IN_PROT	Inner protection point located after inner VOE controlled by IPT	Protection discard point. Frames are discarded after the VOEs used for discarding which exit an inactive EVC Segment
ANA_IN_SW	Inner software MEP with extraction controlled by VCAP IS2	SW MEP located between the VOEs and shared queue system for: <ul style="list-style-type: none"> • Extraction point for SW Down-MEP • Injection point for SW Up-MEP
ANA_IN_MIP	Inner OAM half-MIP located in analyzer	Extraction/copy/injection point for analyzer half MIP for NNI: EVC/OVC MIP.
ANA_VLAN	Pipeline point associated with VLAN handling and forwarding	Pipeline point for VLAN discard.
ANA_DONE	Pipeline point after analyzer	Injection point where analyzer is bypassed. Used for injection directly into rewriter.
REW_IN_MIP	Inner OAM half-MIP located in rewriter	Extraction/copy/injection point for rewriter half MIP function for NNI: EVC/OVC MIP.
REW_IN_SW	Inner software MEP located in rewriter controlled by VCAP_ES0	SW MEP located between the shared queue system and the VOEs for: <ul style="list-style-type: none"> • Injection point for SW Down-MEP • Extraction point for SW Up-MEP
REW_IN_VOE	Inner OAM VOE located in rewriter/VOP	Inner VOE pipeline point for: <ul style="list-style-type: none"> • UNI: OVC OAM extraction • NNI: EVC/OVC OAM segment injection
REW_OU_VOE	Outer OAM VOE in rewriter/VOP	Outer VOE pipeline point for: <ul style="list-style-type: none"> • UNI: EVC OAM extraction • E-NNI: OVC OAM extraction • NNI: Path OAM injection
REW_OU_SW	Outer software MEP located in rewriter controlled by VCAP_ES0	SW MEP located between the VOEs and the port for: <ul style="list-style-type: none"> • Injection point for SW Down-MEP • Extraction point for SW Up-MEP

Table 62 • Pipeline Definitions (continued)

Pipeline Point	Block/Mechanism That Uses Pipeline Point	Application
REW_OU_MIP	Outer OAM half-MIP located in rewriter	Extraction/copy/injection point for rewriter half MIP function for: <ul style="list-style-type: none"> • UNI-N: Subscriber MIP • E-NNI: EVC MIP
REW_SAT	Service activation testing	SAT loop point.
REW_PORT_VOE	Port VOE in rewriter VOP	Port VOE injection point.
REW_VRAP	VRAP injection point	VRAP injection point.

The following table defines the pipeline actions associated with the pipeline point.

Table 63 • Pipeline Actions

Pipeline Action	Description
INJ	Set when CPU-injecting a frame into the processing flow at the associated pipeline point. The processing starts at the associated pipeline point.
INJ_MASQ	Set when CPU-injecting a frame masqueraded into the processing flow at the associated pipeline point. The processing starts at the associated pipeline point.
XTR	Assigned to frames being redirected to the CPU. The processing ends at the associated pipeline point. Frames copied to the CPU are not assigned a pipeline point as the processing continues.
XTR_UPMEP	Assigned to frames being extracted to the CPU by an Up MEP (VOE). The processing ends at the associated pipeline point. Frames copied to the CPU are not assigned a pipeline point as the processing continues.
XTR_LATE_REW	Assigned to MPLS OAM frames by VCAP CLM to instruct the rewriter to terminate the processing of the frame. The processing ends at the associated pipeline point.
LBK_ASM	Assigned by Up MEPs (VOE) requiring the frame to be looped. This action implies that the processing in the rewriter is ended at the associated pipeline point and that the processing in the analyzer after looping the frame starts at the corresponding analyzer pipeline point.
LBK_QS	Assigned by Down MEPs (VOE) requiring the frame to be looped. This action implies that the processing in the analyzer is ended at the associated pipeline point and that the processing in the rewriter after looping the frame starts at the corresponding rewriter pipeline point.

Note: A frame cannot be assigned both a starting point and an ending point at the same side of the queue system. For instance, a frame cannot be injected in the analyzer at ANA_CLM and then extracted at ANA_IN_SW. However, a frame can be injected in the analyzer and then extracted in the rewriter.

3.12 Analyzer

The following sections provides information about the functional aspects of the analyzer (ANA). The analyzer evokes different actions based on the contents of the frame fields. The analyzer is organized into the following blocks.

- VCAP CLM: VCAP Classification matching—keys and actions
- ANA_CL: Analyzer classifier
- ANA_L3: VLAN and MSTP
- VCAP LPM: VCAP longest prefix matching—keys and actions
- ANA_L3: IP routing
- VCAP IS2: VCAP Ingress Stage 2—keys and actions
- ANA_ACL: Access Control Lists
- ANA_L2: Analyzer Layer 2 forwarding and learning
- ANA_AC: Analyzer Actions—forwarding, policing, statistics

3.12.1 Initializing the Analyzer

Before the analyzer can be configured, the RAM-based configuration registers must be initialized by setting ANA_AC:RAM_CTRL:RAM_INIT.RAM_ENA and ANA_AC:RAM_CTRL:RAM_INIT.RAM_INIT to 1.

The ANA_AC:RAM_CTRL:RAM_INIT.RAM_INIT register is reset by hardware when initialization is complete.

For information about initializing VCAP CLM, VCAP IS2, and VCAP LPM, see [Bringing Up VCAP](#), page 59.

3.13 VCAP CLM Keys and Actions

The VCAP CLM is part of the analyzer and enables frame classification using VCAP functionality. This section provides an overview of all available VCAP CLM keys, followed by information about each key and action.

For information about how to select which key to use and how the VCAP CLM interacts with other parts of the analyzer classifier, see [VCAP CLM Processing](#), page 112.

VCAP CLM supports a number of different keys that can be used for different purposes. The keys are of type X1, X2, X4, X8, or X16, depending on the number of words each key uses. The keys are grouped after size as shown in the following table.

Table 64 • VCAP CLM Keys and Sizes

Key Name	Key Size	Number of Words	Key Type
SGL_MLBS	35 bits	1 word	X1 type
TRI_VID	69 bits	2 words	X2 type
DBL_MLBS	68 bits		
TRI_VID_IDX	69 bits		
MLL	136 bits	4 words	X4 type
TRI_MLBS	129 bits		
PURE_5TUPLE_IP4	137 bits		
CUSTOM_4	136 bits		
LL_FULL	272 bits	8 words	X8 type
NORMAL	266 bits		
NORMAL_5TUPLE_IP4	255 bits		
CUSTOM_2	272 bits		
NORMAL_7TUPLE	536 bits	16 words	X16 type
CUSTOM_1	527 bits		

3.13.1 Keys Overview

The following table lists all VCAP CLM keys and fields and provides a quick overview of which fields are available in which keys.

When programming an entry in VCAP CLM, the associated key fields listed must be programmed in the listed order with the first field in the table starting at bit 0 in the entry.

Table 65 • VCAP CLM Key Overview

Field Name	Short Description	Size	SGL_MLBS	TRI_VID	TRI_VID_IDX	DBL_MLBS	MLL	TRI_MLBS	PURE_5TUPLE_IP4	CUSTOM_4	LL_FULL	NORMAL	NORMAL_5TUPLE_IP4	CUSTOM_2	NORMAL_7TUPLE	CUSTOM_1
X2_TYPE	X2 type (each entry uses 2 words)	2	x	x	x											
X4_TYPE	X4 type (each entry uses 4 words)	2					x	x	x	x						
X8_TYPE	X8 type (each entry uses 8 words)	2									x	x	x	x		
X16_TYPE	X16 type (each entry uses 16 words)	1													x	x
FIRST	Set for first lookup	1	x	x	x	x		x	x	x	x	x	x	x	x	x
IGR_PORT	Ingress port number	6		x			x				x					
G_IDX_IS_SERVICE	Set if G_IDX is set to ISDX	1			x				x	x		x	x	x	x	x
G_IDX	Generic index	12	x		x	x		x	x	x		x	x	x	x	x
IGR_PORT_MASK_SEL	Mode selector for IGR_PORT_MASK	2										x	x		x	
IGR_PORT_MASK	Ingress port mask	53										x	x		x	
L2_MC	Multicast DMAC address	1										x	x		x	
L2_BC	Broadcast DMAC address	1										x	x		x	
TPID0	TPID identifier from first tag	3		x	x		x				x	x	x		x	
PCP0	PCP from first tag	3		x							x	x	x		x	
DEI0	DEI from first tag	1		x							x	x	x		x	
VID0	VID from first tag	12		x	x		x				x	x	x		x	
TPID1	TPID identifier from second tag	3		x	x		x				x	x	x		x	
PCP1	PCP from second tag	3		x							x	x	x		x	
DEI1	DEI from second tag	1		x							x	x	x		x	
VID1	VID from second tag	12		x	x		x				x	x	x		x	
TPID2	Tag protocol identifier from third tag	3		x	x						x	x	x		x	
PCP2	PCP from third tag	3		x							x	x	x		x	
DEI2	DEI from third tag	1		x							x	x	x		x	
VID2	VID from third tag	12		x	x						x	x	x		x	
DST_ENTRY	Set if destination entry	1										x				
L2_DMAL	Destination MAC address	48					x				x				x	
L2_SMAC	Source MAC address	48					x				x	x			x	
ETYPE_MPLS	EtherType identifier	2					x									
ETYPE_FULL	EtherType identifier	3		x												
IP_MC	Multicast DIP address	1										x	x		x	
ETYPE_LEN	ETYPE encoded frame	1									x	x			x	

Table 65 • VCAP CLM Key Overview (continued)

Field Name	Short Description	Size	SGL_MLBS	TRI_VID	TRI_VID_IDX	DBL_MLBS	MLL	TRI_MLBS	PURE_5TUPLE_IP4	CUSTOM_4	LL_FULL	NORMAL	NORMAL_5TUPLE_IP4	CUSTOM_2	NORMAL_7TUPLE	CUSTOM_1
ETYPE	EtherType, overloaded for other frame types	16									x	x				x
IP_SNAP	IP or SNAP frame	1									x	x				x
IP4	IPv4 frame	1									x	x	x			x
LBL0	Label from MPLS Label Stack entry 0	20	x		x		x									
TC0	TC bits from MPLS Label Stack entry 0	3			x		x									
SBIT0	S-bit from MPLS Label Stack entry 0	1	x		x		x									
TTL0_EXPIRY	Set if TTL<=1 for MPLS Label Stack entry 0	1	x		x		x									
LBL1	Label from entry 1	20			x		x									
TC1	TC bits from entry 1	3			x		x									
SBIT1	S-bit from entry 1	1			x		x									
TTL1_EXPIRY	Set if TTL<=1 for entry 1	1			x		x									
LBL2	Label from entry 2	20					x									
TC2	TC bits from entry 2	3					x									
SBIT2	S-bit from entry 2	1					x									
TTL2_EXPIRY	Set if TTL<=1 for entry 2	1					x									
RSV_LBL_VAL	Reserved label value	4					x									
CW_ACH	CW/ACH after label with S-bit set	32					x									
RSV_LBL_POS	Reserved label position	3			x		x									
L3_FRAGMENT	Fragmented IPv4 frame	1							x	x	x	x				x
L3_FRAG_OFS_GT0	Frame is not the first fragment	1							x	x	x	x				x
L3_OPTIONS	IPv4 frame with options	1							x	x	x	x				x
L3_DSCP	Frame's DSCP value	6							x	x	x	x				x
L3_IP4_DIP	Destination IP address	32							x	x						
L3_IP4_SIP	SIP address, overloaded for other frame types	32							x	x	x	x				
L3_IP6_DIP	Destination IP address	128														x
L3_IP6_SIP	Source IP address	128														x
L3_IP_PROTO	IP protocol / next header	8							x				x			
TCP_UDP	TCP/UDP frame	1								x	x	x				x
TCP	TCP frame	1								x	x	x				x
L4_SPORT	TCP/UDP source port	16								x	x					x

Table 65 • VCAP CLM Key Overview (continued)

Field Name	Short Description	Size	SGL_MLBS	TRI_VID	TRI_VID_IDX	DBL_MLBS	MLL	TRI_MLBS	PURE_5TUPLE_IP4	CUSTOM_4	LL_FULL	NORMAL	NORMAL_5TUPLE_IP4	CUSTOM_2	NORMAL_7TUPLE	CUSTOM_1
L4_RNG	Range checker mask	8							x		x	x		x		
IP_PAYLOAD_5TUPLE	Payload bytes after IP header	32							x				x			
OAM_Y1731	Set if frame's EtherType = 0x8902	1		x												
OAM_MEL_FLAGS	Encoding of MD level/MEG level (MEL)	7		x												
CUSTOM1	64 bytes payload	512		x												x
CUSTOM2	32 bytes payload	256		x										x		
CUSTOM4	15 bytes payload	120							x							

3.13.2 VCAP CLM X1 Key Details

The SGL_MLBS key is the only X1 key, so it does not have a type field.

The following table lists details about the fields applicable to the SGL_MLBS key.

Table 66 • VCAP CLM X1 Key Details

Field Name	Description	Size	SGL_MLBS
FIRST	Selects between entries relevant for first and second lookup. Set for first lookup, cleared for second lookup.	1	x
G_IDX	Generic index used to bind together entries across VCAP CLM lookups. G_IDX is calculated based on fields in VCAP CLM action from previous VCAP CLM lookup: NXT_IDX_CTRL. NXT_IDX. Default value is configurable in ANA_CL::CLM_MISC_CTRL.CLM_GIDX_DEF_SEL. Can be zero, logical port number, or masqueraded port number.	12	x
LBL0	MPLS Label Stack entry 0 - Label (Top Label).	20	x
SBIT0	MPLS Label Stack entry 0 - S-bit (Top Label).	1	x
TTL0_EXPIRY	Set if TTL<=1 for MPLS Label Stack entry 0.	1	x

3.13.3 VCAP CLM X2 Key Details

The X2 keys include an X2_TYPE field, which is used to tell the difference between the keys. It takes a unique value for each key. The following table lists details about the fields applicable to these keys.

Table 67 • VCAP CLM X2 Key Details

Field Name	Description	Size	TRI_VID	DBL_MLBS	TRI_VID_IDX
X2_TYPE	X2 type: 0: TRI_VID 1: DBL_MLBS 2: Reserved 3: TRI_VID_IDX	2	x	x	x
FIRST	Selects between entries relevant for first and second lookup. Set for first lookup, cleared for second lookup.	1	x	x	x
IGR_PORT	Logical ingress port number retrieved from ANA_CL::PORT_ID_CFG.LPORT_NUM.	6	x		
G_IDX	Generic index used to bind together entries across VCAP CLM lookups. G_IDX is calculated based on fields in VCAP CLM action from previous VCAP CLM lookup: NXT_IDX_CTRL. NXT_IDX. Default value is configurable in ANA_CL::CLM_MISC_CTRL.CLM_GIDX_DEF_SEL. Can be zero, logical port number, or masqueraded port number.	12	x	x	
TPID0	Tag protocol identifier of the frame's first tag (outer tag): 0: Untagged. 1: 0x8100. 4: 0x88A8. 5: Custom value 1. 6: Custom value 2. 7: Custom value 3.	3	x		x
PCP0	By default PCP from frame but it is selectable per lookup in VCAP CLM whether to use the current classified PCP instead (ANA_CL::ADV_CL_CFG.USE_CL_TCI0_ENA).	3	x		
DEI0	By default DEI from frame but it is selectable per lookup in VCAP CLM whether to use the current classified DEI instead (ANA_CL::ADV_CL_CFG.USE_CL_TCI0_ENA).	1	x		
VID0	By default VID from frame but it is selectable per lookup in VCAP CLM whether to use the current classified VID instead (ANA_CL::ADV_CL_CFG.USE_CL_TCI0_ENA). For untagged frames, VID0 is set to 0.	12	x		x
TPID1	Tag protocol identifier of the frame's second tag (tag after outer tag): 0: No second tag. 1: 0x8100. 4: 0x88A8. 5: Custom value 1. 6: Custom value 2. 7: Custom value 3.	3	x		x
PCP1	Frame's PCP from second tag.	3	x		

Table 67 • VCAP CLM X2 Key Details (continued)

Field Name	Description	Size	TRI_VID	DBL_MLBS	TRI_VID_IDX
DEI1	Frame's DEI from second tag.	1	x		
VID1	Frame's VID from second tag.	12	x		
TPID2	<p>Tag protocol identifier of the frame's third tag:</p> <p>0: No third tag. 1: 0x8100. 4: 0x88A8. 5: Custom value 1. 6: Custom value 2. 7: Custom value 3.</p> <p>Overloading for TRI_VID: For OAM Y.1731 frames (ETYPE_FULL = 5) without a third tag (TPID2 = 0), VID2[6:0] is set to OAM MEL flags: Encoding of MD level/MEG level (MEL). One bit for each level where lowest level encoded as zero. The following keys can be generated: MEL = 0: 0b0000000. MEL = 1: 0b0000001. MEL = 2: 0b0000011. MEL = 3: 0b0000111. MEL = 4: 0b0001111. MEL = 5: 0b0011111. MEL = 6: 0b0111111. MEL = 7: 0b1111111.</p> <p>Together with the mask, the following types of rules can be created: Exact match. Fx. MEL = 2: 0b0000011. Below. Fx. MEL <= 4: 0b000XXXX. Above. Fx. MEL >= 5: 0bXX11111. Between. Fx. 3 <= MEL <= 5: 0b00XX111, where "X" means don't care.</p>	3	x	x	
PCP2	Frame's PCP from third tag.	3	x		
DEI2	Frame's DEI from third tag.	1	x		
VID2	Frame's VID from third tag.	12	x		
ETYPE_FULL	<p>EtherType identifier:</p> <p>0: IPv4frame (EtherType = 0x0800). 1: IPv6 frame (EtherType = 0x86DD). 2: Downstream assigned label (EtherType = 0x8847). 3: Upstream assigned label (EtherType = 0x8848). 4: LCC/SNAP (EtherType < 0x0600). 5: OAM Y.1731 (EtherType = 0x8902). 6: (R)ARP (EtherType = 0x0806 or 0x8035). 7: Other.</p>	3	x		
LBL0	MPLS Label Stack entry 0 - Label (Top Label).	20		x	
TC0	MPLS Label Stack entry 0 - TC bits (Top Label).	3		x	
SBIT0	MPLS Label Stack entry 0 - S-bit (Top Label).	1		x	
TTL0_EXPIRY	Set if TTL <= 1 for MPLS Label Stack entry 0.	1		x	

Table 67 • VCAP CLM X2 Key Details (continued)

Field Name	Description	Size	TRI_VID	DBL_MLBS	TRI_VID_IDX
LBL1	MPLS Label Stack entry 1 - Label.	20	x		
TC1	MPLS Label Stack entry 1 - TC bits.	3	x		
SBIT1	MPLS Label Stack entry 1 - S-bit.	1	x		
TTL1_EXPIRY	Set if TTL <= 1 for MPLS Label Stack entry 1.	1	x		
RSV_LBL_POS	Reserved label position: 0: Reserved label at position 0 seen or skipped. 1: Reserved label at position 1 seen or skipped. 2: Reserved label at position 2 seen or skipped. 3: Reserved label at position 3 seen. 4: Reserved. 5: No reserved label seen. Label at top of stack is position 0, followed by 1, 2, and 3. In order for a reserved label to be skipped, either ANA_CL::MPLS_RSV_LBL_CFG[<label>].RSVD_LBL_SKIP_ENA or ANA_CL::MPLS_MISC_CFG.CLM_RSVD_LBL_SKIP_ENA[<clm idx>] must be set.	3	x	x	
OAM_Y1731	Set if frame's EtherType = 0x8902.	1			x
OAM_MEL_FLAGS	Encoding of MD level/MEG level (MEL). One bit for each level where lowest level encoded as zero. The following keys can be generated: MEL=0: 0x0000000 MEL=1: 0x0000001 MEL=2: 0x0000011 MEL=3: 0x0000111 MEL=4: 0x0001111 MEL=5: 0x0011111 MEL=6: 0x0111111 MEL=7: 0x1111111 Together with the mask, the following kinds of rules may be created: - Exact match. Fx. MEL=2: 0x0000011 - Below. Fx. MEL<=4: 0x000XXXX - Above. Fx. MEL>=5: 0xXX11111 - Between. Fx. 3<= MEL<=5: 0x00XX111, where 'X' means don't care. Overloading: For non-Y1731 OAM frames (OAM_Y1731 = 0), OAM_MEL_FLAGS encodes an EtherType identifier: 0: IPv4frame (EtherType = 0x0800) 1: IPv6 frame (EtherType = 0x86DD) 2: Downstream assigned label (EtherType = 0x8847) 3: Upstream assigned label (EtherType = 0x8848) 4: LCC/SNAP (EtherType < 0x0600) 5: (R)ARP (EtherType = 0x0806 or 0x8035) 6: Reserved 7: Other	7			x

3.13.4 VCAP CLM X4 Key Details

The X4 keys include an X4_TYPE field, which is used to tell difference between the keys. It takes a unique value for each key. The following table lists details about the fields applicable to these keys.

Table 68 • VCAP CLM X4 Key Details

Field Name	Description	Size	MLL	TRI_MLBS	PURE_5TUPLE_IP4	CUSTOM_4
X4_TYPE	X4 type: 0: MLL. 1: TRI_MLBS. 2: PURE_5TUPLE_IP4. 3: CUSTOM_4.	2	x	x	x	x
FIRST	Selects between entries relevant for first and second lookup. Set for first lookup, cleared for second lookup.	1		x	x	x
IGR_PORT	Logical ingress port number retrieved from ANA_CL::PORT_ID_CFG.LPORT_NUM.	6	x			
G_IDX_IS_SERVICE	Set if the VCAP CLM action from the previous VCAP CLM lookup specified ISDX to be used as G_IDX.	1		x	x	
G_IDX	Generic index used to bind together entries across VCAP CLM lookups. G_IDX is calculated based on fields in VCAP CLM action from previous VCAP CLM lookup: NXT_IDX_CTRL. NXT_IDX. Default value is configurable in ANA_CL::CLM_MISC_CTRL.CLM_GIDX_DEF_SEL. Can be zero, logical port number, or masqueraded port number.	12		x	x	x
TPID0	Tag protocol identifier of the frame's first tag (outer tag): 0: Untagged. 1: 0x8100. 4: 0x88A8. 5: Custom value 1. 6: Custom value 2. 7: Custom value 3.	3	x			
VID0	By default VID from frame but it is selectable per lookup in VCAP CLM whether to use the current classified VID instead (ANA_CL::ADV_CL_CFG.USE_CL_TCIO_ENA). For untagged frames, VID0 is set to 0.	12	x			
TPID1	Tag protocol identifier of the frame's second tag (tag after outer tag): 0: No second tag. 1: 0x8100. 4: 0x88A8. 5: Custom value 1. 6: Custom value 2. 7: Custom value 3.	3	x			
VID1	Frame's VID from second tag.	12	x			
L2_DMAC	Destination MAC address.	48	x			

Table 68 • VCAP CLM X4 Key Details (continued)

Field Name	Description	Size	MLL	TRI_MLBS	PURE_5TUPLE_IP4	CUSTOM_4
L2_SMAC	Source MAC address.	48	x			
ETYPE_MPLS	EtherType identifier: 0: Non-MPLS. 1: Downstream Assigned Label (EtherType = 0x8847). 2: Upstream Assigned Label (EtherType = 0x8848).	2	x			
LBL0	MPLS Label Stack entry 0 - Label (Top Label).	20	x			
TC0	MPLS Label Stack entry 0 - TC bits (Top Label).	3	x			
SBIT0	MPLS Label Stack entry 0 - S-bit (Top Label).	1	x			
TTL0_EXPIRY	Set if TTL<=1 for MPLS Label Stack entry 0.	1	x			
LBL1	MPLS Label Stack entry 1 - Label.	20	x			
TC1	MPLS Label Stack entry 1 - TC bits.	3	x			
SBIT1	MPLS Label Stack entry 1 - S-bit.	1	x			
TTL1_EXPIRY	Set if TTL<=1 for MPLS Label Stack entry 1.	1	x			
LBL2	MPLS Label Stack entry 2 - Label.	20	x			
TC2	MPLS Label Stack entry 2 - TC bits.	3	x			
SBIT2	MPLS Label Stack entry 2 - S-bit.	1	x			
TTL2_EXPIRY	Set if TTL<=1 for MPLS Label Stack entry 2.	1	x			
RSV_LBL_VAL	Reserved label value. Only valid if RSV_LBL_POS > 0.	4	x			
CW_ACH	The 32 bits following the label with S-bit set.	32	x			
RSV_LBL_POS	Reserved label position: 0: Reserved label at position 0 seen or skipped. 1: Reserved label at position 1 seen or skipped. 2: Reserved label at position 2 seen or skipped. 3: Reserved label at position 3 seen. 4: Reserved. 5: No reserved label seen. Label at top of stack is position 0, followed by 1, 2, and 3. In order for a reserved label to be skipped, either ANA_CL::MPLS_RSV_LBL_CFG[<label>].RSVD_LBL_SKIP_ENA or ANA_CL::MPLS_MISC_CFG.CLM_RSVD_LBL_SKIP_ENA[<clm idx>] must be set.	3	x			
L3_FRAGMENT	Set if IPv4 frame is fragmented (More Fragments flag = 1 or Fragments Offset > 0).	1		x		
L3_FRAG_OFS_GT0	Set if IPv4 frame is fragmented but not the first fragment (Fragments Offset > 0)	1		x		
L3_OPTIONS	Set if IPv4 frame contains options (IP len > 5). IP options are not parsed.	1		x		
L3_DSCP	By default DSCP from frame. Per match, selectable to be current classified DSCP (ANA_CL::ADV_CL_CFG.USE_CL_DSCP_ENA).	6		x		

Table 68 • VCAP CLM X4 Key Details (continued)

Field Name	Description	Size	MLL	TRI_MLBS	PURE_5TUPLE_IP4	CUSTOM_4
L3_IP4_DIP	IPv4 frames: Destination IPv4 address. IPv6 frames: Destination IPv6 address, bits 31:0.	32			x	
L3_IP4_SIP	Overloaded field for different frame types: LLC frames (ETYPE_LEN = 0 and IP_SNAP = 0): L3_IP4_SIP = [CTRL, PAYLOAD[0:2]] SNAP frames (ETYPE_LEN = 0 and IP_SNAP=1): L3_IP4_SIP = [PID[2:0], PAYLOAD[0]] IPv4 frames (ETYPE_LEN=1, IP_SNAP=1, and IP4=1): L3_IP4_SIP = source IPv4 address IPv6 frames (ETYPE_LEN=1, IP_SNAP=1, IP4=0): L3_IP4_SIP = source IPv6 address, bits 31:0 Other frames (ETYPE_LEN=1, IP_SNAP=0): L3_IP4_SIP = PAYLOAD[0:3].	32			x	
L3_IP_PROTO	IPv4 frames (IP4=1): IP protocol. IPv6 frames (IP4=0): Next header.	8			x	
L4_RNG	Range mask. Range types: SPORT, DPORT, SPORT or DPORT, VID, DSCP, custom. Input into range checkers is taken from frame except DSCP value, which is the remapped DSCP value from basic classification.	8			x	
IP_PAYLOAD_5TUPL E	Payload bytes after IP header. IPv4 options are not parsed so payload is always taken 20 bytes after the start of the IPv4 header.	32			x	
CUSTOM4	15 bytes payload starting from current frame pointer position, as controlled by VCAP CLM actions. Note that if frame_type==ETH, then payload is retrieved from a position following the Ethernet layer, for example, after DMAC, SMAC, 0-3 VLAN tags and EtherType.	120				x

3.13.5 VCAP CLM X8 Key Details

The X8 keys include an X8_TYPE field, which is used to tell difference between the keys. It takes a unique value for each key. The following table lists details about the fields applicable to these keys.

Table 69 • VCAP CLM X8 Key Details

Field Name	Description	Size	LL_FULL	NORMAL	NORMAL_5TUPLE_IP4	CUSTOM_2
X8_TYPE	X8 type: 0: LL_FULL. 1: NORMAL. 2: NORMAL_5TUPLE_IP4. 3: CUSTOM_2.	2	x	x	x	x
FIRST	Selects between entries relevant for first and second lookup. Set for first lookup, cleared for second lookup.	1	x	x	x	x
IGR_PORT	Logical ingress port number retrieved from ANA_CL::PORT_ID_CFG.LPORT_NUM.	6	x			
G_IDX_IS_SERVICE	Set if the VCAP CLM action from the previous VCAP CLM lookup specified ISDX to be used as G_IDX.	1		x	x	x
G_IDX	Generic index used to bind together entries across VCAP CLM lookups. G_IDX is calculated based on fields in VCAP CLM action from previous VCAP CLM lookup: NXT_IDX_CTRL. NXT_IDX. Default value is configurable in ANA_CL::CLM_MISC_CTRL.CLM_GIDX_DEF_SEL. Can be zero, logical port number, or masqueraded port number.	12		x	x	x

Table 69 • VCAP CLM X8 Key Details (continued)

Field Name	Description	Size	LL_FULL	NORMAL	NORMAL_5TUPLE_IP4	CUSTOM_2
IGR_PORT_MASK_SEL	<p>Mode selector for IGR_PORT_MASK.</p> <p>0: Default setting.</p> <p>1: Set for frames received from a loopback device, i.e. LBK_DEV*.</p> <p>2: Set for masqueraded frames if ANA_CL::CLM_MISC_CTRL.MASQ_IGR_MASK_ENA == 1. A masqueraded frame is identified by the following criteria: (ifh.fwd.dst_mode == inject && ifh.src_port != physical_src_port) (misc.pipeline_act == inj_masq)</p> <p>3: Set for the following frame types:</p> <p>3.a: CPU injected frames and ANA_CL::CLM_MISC_CTRL.CPU_IGR_MASK_ENA == 1.</p> <p>3.b: Frames received from VD0 or VD1 and ANA_CL::CLM_MISC_CTRL.VD_IGR_MASK_ENA == 1.</p> <p>3.c: Frame received on a loopback device and ANA_CL::CLM_MISC_CTRL.LBK_IGR_MASK_SEL3_ENA == 1.</p> <p>If a frame fulfills multiple of above criteria, then higher value of IGR_PORT_MASK_SEL takes precedence.</p>	2	x	x		
IGR_PORT_MASK	<p>Ingress port mask.</p> <p>IGR_PORT_MASK_SEL == 0: Each bit in the mask correspond to physical ingress port.</p> <p>IGR_PORT_MASK_SEL == 1: Each bit in the mask correspond to the physical port which the frame was looped on.</p> <p>IGR_PORT_MASK_SEL == 2: Each bit in the mask correspond to the masqueraded port.</p> <p>If IGR_PORT_MASK_SEL == 3: Bit 0: Physical src port == CPU0. Bit 1: Physical src port == CPU1. Bit 2: Physical src port == VD0. Bit 3: Physical src port == VD1. Bits 4:9: Src port (possibly masqueraded). Bits 44:48: ifh.misc.pipeline_pt. Bits 49:51: ifh.misc.pipeline_act. Bits 52: Reserved.</p>	53	x	x		
L2_MC	Set if frame's destination MAC address is a multicast address (bit 40 = 1).	1	x	x		
L2_BC	Set if frame's destination MAC address is the broadcast address (FF-FF-FF-FF-FF-FF).	1	x	x		

Table 69 • VCAP CLM X8 Key Details (continued)

Field Name	Description	Size	LL_FULL	NORMAL	NORMAL_5TUPLE_IP4	CUSTOM_2
TPID0	Tag protocol identifier of the frame's first tag (outer tag): 0: Untagged. 1: 0x8100. 4: 0x88A8. 5: Custom value 1. 6: Custom value 2. 7: Custom value 3.	3	x	x	x	
PCP0	By default PCP from frame but it is selectable per lookup in VCAP CLM whether to use the current classified PCP instead (ANA_CL::ADV_CL_CFG.USE_CL_TCIO_ENA).	3	x	x	x	
DEI0	By default DEI from frame but it is selectable per lookup in VCAP CLM whether to use the current classified DEI instead (ANA_CL::ADV_CL_CFG.USE_CL_TCIO_ENA).	1	x	x	x	
VID0	By default VID from frame but it is selectable per lookup in VCAP CLM whether to use the current classified VID instead (ANA_CL::ADV_CL_CFG.USE_CL_TCIO_ENA). For untagged frames, VID0 is set to 0.	12	x	x	x	
TPID1	Tag protocol identifier of the frame's second tag (tag after outer tag): 0: No second tag. 1: 0x8100. 4: 0x88A8. 5: Custom value 1. 6: Custom value 2. 7: Custom value 3.	3	x	x	x	
PCP1	Frame's PCP from second tag.	3	x	x	x	
DEI1	Frame's DEI from second tag.	1	x	x	x	
VID1	Frame's VID from second tag.	12	x	x	x	
TPID2	Tag protocol identifier of the frame's third tag: 0: No third tag. 1: 0x8100. 4: 0x88A8. 5: Custom value 1. 6: Custom value 2. 7: Custom value 3.	3	x	x	x	
PCP2	Frame's PCP from third tag.	3	x	x	x	
DEI2	Frame's DEI from third tag.	1	x	x	x	
VID2	Frame's VID from third tag.	12	x	x	x	

Table 69 • VCAP CLM X8 Key Details (continued)

Field Name	Description	Size	LL_FULL	NORMAL	NORMAL_5TUPLE_IP4	CUSTOM_2
DST_ENTRY	Selects whether the frame's destination or source information is used for fields L2_SMAC and L3_IP4_SIP. If set, L2_SMAC contains the frame's destination MAC address and L3_IP4_SIP contains the frame's destination IP address. The setting is controlled by ANA_CL::ADV_CL_CFG and VCPA_CLM_action.NXT_KEY_TYPE.	1	x			
L2_DMAC	Destination MAC address.	48	x			
L2_SMAC	Source MAC address. Note that - optionally - L2_SMAC may contain the destination MAC address, see DST_ENTRY.	48	x	x		
IP_MC	IPv4 frames: Set if frame's destination IP address is an IPv4 multicast address (0xE /4). IPv6 frames: Set if frame's destination IP address is an IPv6 multicast address (0xFF /8).	1		x	x	
ETYPE_LEN	Frame type flag indicating that the frame is EtherType encoded. Set if frame has EtherType >= 0x600.	1	x	x		
ETYPE	Overloaded field for different frame types: LLC frames (ETYPE_LEN=0 and IP_SNAP=0): ETYPE = [DSAP, SSAP] SNAP frames (ETYPE_LEN=0 and IP_SNAP=1): ETYPE = PID[4:3] from SNAP header TCP/UDP IPv4 or IPv6 frames (ETYPE_LEN=1, IP_SNAP=1, and TCP_UDP=1): ETYPE = TCP/UDP destination port Non-TCP/UDP IPv4 or IPv6 frames (ETYPE_LEN=1, IP_SNAP=1, and TCP_UDP=0): ETYPE = IP protocol Other frames (ETYPE_LEN=1 and IP_SNAP=0): ETYPE = Frame's EtherType.	16	x	x		
IP_SNAP	Frame type flag indicating that the frame is either an IP frame or a SNAP frame. IP frames (ETYPE_LEN=1): Set if (EtherType= 0x0800 and IP version = 4) or (ETYPE = 0x86DD and IP version = 6) SNAP frames (ETYPE_LEN=0): Set if LLC header contains AA-AA-03.	1	x	x		
IP4	Frame type flag indicating the frame is an IPv4 frame. Set if frame is IPv4 frame (EtherType = 0x800 and IP version = 4).	1	x	x	x	

Table 69 • VCAP CLM X8 Key Details (continued)

Field Name	Description	Size	LL_FULL	NORMAL	NORMAL_5TUPLE_IP4	CUSTOM_2
L3_FRAGMENT	Set if IPv4 frame is fragmented (More Fragments flag = 1 or Fragments Offset > 0).	1	x	x	x	
L3_FRAG_OFS_GT0	Set if IPv4 frame is fragmented but not the first fragment (Fragments Offset > 0).	1	x	x	x	
L3_OPTIONS	Set if IPv4 frame contains options (IP len > 5). IP options are not parsed.	1	x	x	x	
L3_DSCP	By default DSCP from frame. Per match, selectable to be current classified DSCP (ANA_CL::ADV_CL_CFG.USE_CL_DSCP_ENA).	6	x	x	x	
L3_IP4_DIP	IPv4 frames: Destination IPv4 address. IPv6 frames: Destination IPv6 address, bits 31:0.	32	x		x	
L3_IP4_SIP	Overloaded field for different frame types: LLC frames (ETYPE_LEN=0 and IP_SNAP=0): L3_IP4_SIP = [CTRL, PAYLOAD[0:2]] SNAP frames (ETYPE_LEN=0 and IP_SNAP=1): L3_IP4_SIP = [PID[2:0], PAYLOAD[0]] IPv4 frames (ETYPE_LEN=1, IP_SNAP=1, and IP4=1): L3_IP4_SIP = source IPv4 address IPv6 frames (ETYPE_LEN=1, IP_SNAP=1, IP4=0): L3_IP4_SIP = source IPv6 address, bits 31:0 Other frames (ETYPE_LEN=1, IP_SNAP=0): L3_IP4_SIP = PAYLOAD[0:3] Note that - optionally - L3_IP4_SIP may contain the destination IP address for IP frames, see DST_ENTRY.	32	x	x	x	
L3_IP_PROTO	IPv4 frames (IP4=1): IP protocol. IPv6 frames (IP4=0): Next header.	8			x	
TCP_UDP	Frame type flag indicating the frame is a TCP or UDP frame. Set if frame is IPv4/IPv6 TCP or UDP frame (IP protocol/next header equals 6 or 17). Overloading: Set to 1 for OAM Y.1731 frames.	1	x	x	x	
TCP	Frame type flag indicating the frame is a TCP frame. Set if frame is IPv4 TCP frame (IP protocol = 6) or IPv6 TCP frames (Next header = 6).	1	x	x	x	

Table 69 • VCAP CLM X8 Key Details (continued)

Field Name	Description	Size	LL_FULL	NORMAL	NORMAL_5TUPLE_IP4	CUSTOM_2
L4_SPORT	<p>TCP/UDP source port.</p> <p>Overloading: OAM Y.1731 frames: L4_SPORT = OAM MEL flags, see the following. TCP_UDP is at the same time set to 1 to indicate the overloading.</p> <p>OAM MEL flags: Encoding of MD level/MEG level (MEL). One bit for each level where lowest level encoded as zero. The following keys can be generated: MEL=0: 0b0000000. MEL=1: 0b0000001. MEL=2: 0b0000011. MEL=3: 0b0000111. MEL=4: 0b0001111. MEL=5: 0b0011111. MEL=6: 0b0111111. MEL=7: 0b1111111. Together with the mask, the following kinds of rules may be created: Exact match. Fx. MEL=2: 0b0000011. Below. Fx. MEL<=4: 0b000XXXX. Above. Fx. MEL>=5: 0bXX11111. Between. Fx. 3<= MEL<=5: 0b00XX111, where 'X' means don't care.</p>	16	x	x		
L4_RNG	<p>Range mask. Range types: SPORT, DPORT, SPORT or DPORT, VID, DSCP, custom.</p> <p>Input into range checkers is taken from frame except DSCP value which is the remapped DSCP value from basic classification.</p>	8		x	x	
IP_PAYLOAD_5TUPLE	<p>Payload bytes after IP header. IPv4 options are not parsed so payload is always taken 20 bytes after the start of the IPv4 header.</p>	32			x	
CUSTOM2	<p>32 bytes payload starting from current frame pointer position, as controlled by VCAP CLM actions.</p> <p>Note that if frame_type==ETH, then payload is retrieved from a position following the Ethernet layer; for example, after DMAC, SMAC, 0–3 VLAN tags and EtherType.</p>	256				x

3.13.6 VCAP CLM X16 Key Details

The X16 keys include an X16_TYPE field, which is used to tell difference between the keys. It takes a unique value for each key. The following table lists details about the fields applicable to these keys.

Table 70 • VCAP CLM X16 Key Details

Field Name	Description	Size	NORMAL_7TUPLE	CUSTOM_1
X16_TYPE	X16 type. 0: NORMAL_7TUPLE. 1: CUSTOM_1.	1	x	x
FIRST	Selects between entries relevant for first and second lookup. Set for first lookup, cleared for second lookup.	1	x	x
G_IDX_IS_SERVICE	Set if the VCAP CLM action from the previous VCAP CLM lookup specified ISDX to be used as G_IDX.	1	x	x
G_IDX	Generic index used to bind together entries across VCAP CLM lookups. G_IDX is calculated based on fields in VCAP CLM action from previous VCAP CLM lookup: NXT_IDX_CTRL. NXT_IDX. Default value is configurable in ANA_CL::CLM_MISC_CTRL.CLM_GIDX_DEF_SEL. Can be zero, logical port number, or masqueraded port number.	12	x	x
IGR_PORT_MASK_SEL	Mode selector for IGR_PORT_MASK. 0: Default setting. 1: Set for frames received from a loopback device, for example, LBK_DEV*. 2: Set for masqueraded frames if ANA_CL::CLM_MISC_CTRL.MASQ_IGR_MASK_ENA == 1. A masqueraded frame is identified by the following criteria: (ifh.fwd.dst_mode == inject && ifh.src_port != physical_src_port) (misc.pipeline_act == inj_masq) 3: Set for the following frame types: 3.a: CPU injected frames and ANA_CL::CLM_MISC_CTRL.CPU_IGR_MASK_ENA == 1 3.b: Frames received from VD0 or VD1 and ANA_CL::CLM_MISC_CTRL.VD_IGR_MASK_ENA == 1 3.c: Frame received on a loopback device and ANA_CL::CLM_MISC_CTRL.LBK_IGR_MASK_SEL3_ENA == 1. If a frame fulfills multiple of above criteria, then higher value of IGR_PORT_MASK_SEL takes precedence.	2	x	

Table 70 • VCAP CLM X16 Key Details (continued)

Field Name	Description	Size	NORMAL_7TUPLE	CUSTOM_1
IGR_PORT_MASK	<p>Ingress port mask.</p> <p>IGR_PORT_MASK_SEL == 0: Each bit in the mask correspond to physical ingress port.</p> <p>IGR_PORT_MASK_SEL == 1: Each bit in the mask correspond to the physical port which the frame was looped on.</p> <p>IGR_PORT_MASK_SEL == 2: Each bit in the mask correspond to the masqueraded port.</p> <p>If IGR_PORT_MASK_SEL == 3: Bit 0: Physical src port == CPU0. Bit 1: Physical src port == CPU1. Bit 2: Physical src port == VD0. Bit 3: Physical src port == VD1. Bits 4:9: Src port (possibly masqueraded). Bits 44:48: ifh.misc.pipeline_pt. Bits 49:51: ifh.misc.pipeline_act. Bits 52: Reserved.</p>	53	x	
L2_MC	Set if frame's destination MAC address is a multicast address (bit 40 = 1).	1	x	
L2_BC	Set if frame's destination MAC address is the broadcast address (FF-FF-FF-FF-FF-FF).	1	x	
TPID0	<p>Tag protocol identifier of the frame's first tag (outer tag):</p> <p>0: Untagged. 1: 0x8100. 4: 0x88A8. 5: Custom value 1. 6: Custom value 2. 7: Custom value 3.</p>	3	x	
PCP0	By default PCP from frame but it is selectable per lookup in VCAP CLM whether to use the current classified PCP instead (ANA_CL::ADV_CL_CFG.USE_CL_TCI0_ENA).	3	x	
DEI0	By default DEI from frame but it is selectable per lookup in VCAP CLM whether to use the current classified DEI instead (ANA_CL::ADV_CL_CFG.USE_CL_TCI0_ENA).	1	x	
VID0	By default VID from frame but it is selectable per lookup in VCAP CLM whether to use the current classified VID instead (ANA_CL::ADV_CL_CFG.USE_CL_TCI0_ENA). For untagged frames, VID0 is set to 0.	12	x	
TPID1	<p>Tag protocol identifier of the frame's second tag (tag after outer tag):</p> <p>0: No second tag. 1: 0x8100. 4: 0x88A8. 5: Custom value 1. 6: Custom value 2. 7: Custom value 3.</p>	3	x	

Table 70 • VCAP CLM X16 Key Details (continued)

Field Name	Description	Size	NORMAL_7TUPLE	CUSTOM_1
PCP1	Frame's PCP from second tag.	3	x	
DEI1	Frame's DEI from second tag.	1	x	
VID1	Frame's VID from second tag.	12	x	
TPID2	Tag protocol identifier of the frame's third tag: 0: No third tag. 1: 0x8100. 4: 0x88A8. 5: Custom value 1. 6: Custom value 2. 7: Custom value 3	3	x	
PCP2	Frame's PCP from third tag.	3	x	
DEI2	Frame's DEI from third tag.	1	x	
VID2	Frame's VID from third tag.	12	x	
L2_DMAC	Destination MAC address.	48	x	
L2_SMAC	Source MAC address.	48	x	
IP_MC	IPv4 frames: Set if frame's destination IP address is an IPv4 multicast address (0xE /4). IPv6 frames: Set if frame's destination IP address is an IPv6 multicast address (0xFF /8).	1	x	
ETYPE_LEN	Frame type flag indicating that the frame is EtherType encoded. Set if frame has EtherType >= 0x600.	1	x	
ETYPE	Overloaded field for different frame types: LLC frames (ETYPE_LEN=0 and IP_SNAP=0): ETYPE = [DSAP, SSAP] SNAP frames (ETYPE_LEN=0 and IP_SNAP=1): ETYPE = PID[4:3] from SNAP header. TCP/UDP IPv4 or IPv6 frames (ETYPE_LEN=1, IP_SNAP=1, and TCP_UDP=1): ETYPE = TCP/UDP destination port. Non-TCP/UDP IPv4 or IPv6 frames (ETYPE_LEN=1, IP_SNAP=1, and TCP_UDP=0): ETYPE = IP protocol. Other frames (ETYPE_LEN=1 and IP_SNAP=0): ETYPE = Frame's EtherType.	16	x	

Table 70 • VCAP CLM X16 Key Details (continued)

Field Name	Description	Size	NORMAL_7TUPLE	CUSTOM_1
IP_SNAP	<p>Frame type flag indicating that the frame is either an IP frame or a SNAP frame.</p> <p>IP frames (ETYPE_LEN=1): Set if (EtherType= 0x0800 and IP version = 4) or (ETYPE = 0x86DD and IP version = 6).</p> <p>SNAP frames (ETYPE_LEN=0): Set if LLC header contains AA-AA-03.</p>	1	x	
IP4	<p>Frame type flag indicating the frame is an IPv4 frame.</p> <p>Set if frame is IPv4 frame (EtherType = 0x800 and IP version = 4).</p>	1	x	
L3_FRAGMENT	Set if IPv4 frame is fragmented (More Fragments flag = 1 or Fragments Offset > 0).	1	x	
L3_FRAG_OFS_GT0	Set if IPv4 frame is fragmented but not the first fragment (Fragments Offset > 0)	1	x	
L3_OPTIONS	Set if IPv4 frame contains options (IP len > 5). IP options are not parsed.	1	x	
L3_DSCP	By default DSCP from frame. Per match, selectable to be current classified DSCP (ANA_CL::ADV_CL_CFG.USE_CL_DSCP_ENA).	6	x	
L3_IP6_DIP	<p>Destination IP address.</p> <p>IPv4 frames (IP4=1): Bit 127: L3_FRAGMENT. Bit 126: L3_FRAG_OFS_GT0. Bit 125: L3_OPTIONS. Bits 31:0: Destination IPv4 address.</p>	128	x	
L3_IP6_SIP	<p>Source IP address.</p> <p>IPv4 frames (IP4=1): Bits 31:0: Source IPv4 address.</p>	128	x	
TCP_UDP	<p>Frame type flag indicating the frame is a TCP or UDP frame.</p> <p>Set if frame is IPv4/IPv6 TCP or UDP frame (IP protocol/next header equals 6 or 17).</p> <p>Overloading: Set to 1 for OAM Y.1731 frames.</p>	1	x	
TCP	<p>Frame type flag indicating the frame is a TCP frame.</p> <p>Set if frame is IPv4 TCP frame (IP protocol = 6) or IPv6 TCP frames (Next header = 6).</p>	1	x	

Table 70 • VCAP CLM X16 Key Details (continued)

Field Name	Description	Size	NORMAL_7TUPLE	CUSTOM_1
L4_SPORT	<p>TCP/UDP source port.</p> <p>Overloading: OAM Y.1731 frames: L4_SPORT = OAM MEL flags, see the following. TCP_UDP is at the same time set to 1 to indicate the overloading. OAM MEL flags: Encoding of MD level/MEG level (MEL). One bit for each level where lowest level encoded as zero. The following keys can be generated: MEL=0: 0b0000000 MEL=1: 0b0000001 MEL=2: 0b0000011 MEL=3: 0b0000111 MEL=4: 0b0001111 MEL=5: 0b0011111 MEL=6: 0b0111111 MEL=7: 0b1111111</p> <p>Together with the mask, the following kinds of rules may be created: Exact match. Fx. MEL=2: 0b0000011 Below. Fx. MEL<=4: 0b000XXXX Above. Fx. MEL>=5: 0bXX11111 Between. Fx. 3<= MEL<=5: 0b00XX111, where 'X' means don't care.</p>	16	x	
L4_RNG	<p>Range mask. Range types: SPORT, DPORT, SPORT or DPORT, VID, DSCP, custom.</p> <p>Input into range checkers is taken from frame, except DSCP value, which is the remapped DSCP value from basic classification.</p>	8	x	
CUSTOM1	<p>64 bytes payload starting from current frame pointer position, as controlled by VCAP CLM actions.</p> <p>Note that if frame_type==ETH, payload is retrieved from a position following the Ethernet layer. For example, after DMAC, SMAC, 0-3 VLAN tags, and EtherType.</p>	512		x

3.13.7 VCAP CLM Actions

VCAP CLM supports four different actions, which can be used for different purposes. The actions have different sizes and must be paired with the keys as listed in the following table.

Table 71 • VCAP CLM Action Selection

Action Name	Size	Action Type
MLBS_REDUCED	1 word 69 bits	X1 type
CLASSIFICATION	2 words 124 bits	X2 type
MLBS	2 words 127 bits	X2 type

Table 71 • VCAP CLM Action Selection (continued)

Action Name	Size	Action Type
FULL	4 words 250 bits	X4 type

Any VCAP CLM action can be used with any of VCAP CLM keys. However, if the action's type is larger than the associated key's type (for instance FULL action of type X4 with TRI_VID key of type X8), then the entry row in the VCAP cannot be fully utilized.

The following table provides details for all VCAP CLM actions. When programming an action in VCAP CLM, the associated action fields listed must be programmed in the listed order with the first field in the table starting at bit 0 in the action.

Table 72 • VCAP CLM Actions

Field Name	Description and Encoding	Size	MLBS	MLBS_REduced	CLASSIFICATION	FULL
X2_TYPE	X2 type. 0: MLBS. 1: Classification.	1	x		x	
DSCP_ENA	If set, use DSCP_VAL as classified DSCP value.	1				x
DSCP_VAL	See DSCP_ENA.	6				x
COSID_ENA	If set, use COSID_VAL as classified COSID value.	1	x	x	x	x
COSID_VAL	See COSID_ENA.	3	x	x	x	x
QOS_ENA	If set, use QOS_VAL as classified QoS class.	1	x	x	x	x
QOS_VAL	See QOS_ENA.	3	x	x	x	x
DP_ENA	If set, use DP_VAL as classified drop precedence level.	1	x	x	x	x
DP_VAL	See DP_ENA.	2	x	x	x	x
DEI_ENA	If set, use DEI_VAL as classified DEI value.	1			x	x
DEI_VAL	See DEI_ENA.	1			x	x
PCP_ENA	If set, use PCP_VAL as classified PCP value.	1			x	x
PCP_VAL	See PCP_ENA.	3			x	x
MAP_LOOKUP_SEL	Selects which of the two QoS Mapping Table lookups that MAP_KEY and MAP_IDX are applied to. 0: No changes to the QoS Mapping Table lookup. That is, MAP_KEY and MAP_IDX are not used. 1: Update key type and index for QoS Mapping Table lookup #0. 2: Update key type and index for QoS Mapping Table lookup #1. 3: Reserved. MLBS_REduced: Use 8 bits from COSID_ENA (LSB), COSID_VAL, QOS_ENA, and QOS_VAL (MSB) as MAP_IDX. COSID and QOS class cannot be assigned at the same time. MAP_KEY is always 3 (TC).	2	x	x	x	x

Table 72 • VCAP CLM Actions (continued)

Field Name	Description and Encoding	Size	MLBS	MLBS_REDUCE	CLASSIFICATION	FULL
MAP_KEY	Key type for QoS mapping table lookup. 0: DEI0, PCP0 (outer tag). 1: DEI1, PCP1 (middle tag). 2: DEI2, PCP2 (inner tag). 3: TC based on conf.mpls_sel_tc_only_ena it is either possible to always IFH.ENCAP.MPLS_TC or to only use TC it extracted by label stack. 4: PCP0 (outer tag). 5: Reserved. 6: DSCP if available, otherwise none (64 entries). 7: DSCP if available, otherwise DEI0, PCP0 (outer tag) if available using MAP_IDX+8, otherwise none (80 entries).	3	x	x	x	x
MAP_IDX	Index for QoS mapping table lookup. Index bits 10:3 into 2K mapping table. Bits 2:0 are always 0.	8	x	x	x	x
VID_ADD_REPLACE_SEL	Controls the classified VID. 0: New VID = old VID + VID_VAL. 1: New VID = VID_VAL. 2: New VID = VID from frame's second tag (middle tag) if available, otherwise VID_VAL. 3: New VID = VID from frame's third tag (inner tag) if available, otherwise VID_VAL.	2	x	x	x	x
VID_VAL	By default, add this value to the current classified VID. Note this is not the VID used as key into VCAP CLM. If the classified VID + VID_ADD_VAL exceeds the range of 12 bit then a wrap around is done.	12	x	x	x	x
VLAN_POP_CNT_ENA	If set, VLAN_POP_CNT is used.	1		x	x	
VLAN_POP_CNT	VLAN pop count: 0, 1, 2, or 3 tags. Post-processing of VLAN_POP_CNT: If VLAN_POP_CNT exceeds the actual number of tags in the frame, it is reduced to match the number of VLAN tags in the frame.	2		x	x	
VLAN_WAS_TAGGED	Controls the WAS_TAGGED setting forwarded to the rewriter. 0: No changes to WAS_TAGGED. 1: Set WAS_TAGGED to 0. 2: Set WAS_TAGGED to 1. 3: Reserved.	2		x	x	
RESERVED	Must be set to 0.	13	x	x	x	x

Table 72 • VCAP CLM Actions (continued)

Field Name	Description and Encoding	Size	MLBS	MLBS_REduced	CLASSIFICATION	FULL
MASK_MODE	<p>Controls the PORT_MASK use.</p> <p>0: OR_DSTMASK: Or PORT_MASK with destination mask.</p> <p>1: AND_VLANMASK: And PORT_MASK to VLAN mask. The actual ANDing with the VLAN mask is performed after the ANA_L3 block has determined the VLAN mask.</p> <p>2: REPLACE_PGID: Replace PGID port mask from MAC table lookup by PORT_MASK.</p> <p>3: REPLACE_ALL: Use PORT_MASK as final destination set replacing all other port masks.</p> <p>4: REDIR_PGID: Redirect using PORT_MASK[7:0] as PGID table index. See PORT_MASK for extra configuration options.</p> <p>5: OR_PGID_MASK: Or PORT_MASK with PGID port mask from MAC table lookup.</p> <p>6: VSTAX: Allows control over VSTAX forwarding.</p> <p>7: Not applicable.</p> <p>Note that for REDIR_PGID, REPLACE_ALL and VSTAX, the port mask becomes “sticky” and cannot be modified by subsequent processing steps.</p> <p>The CPU port is untouched by MASK_MODE.</p>	3				x
PORT_MASK	<p>Port mask.</p> <p>MASK_MODE=4 (REDIR_PGID):</p> <p>PORT_MASK[52]: SRC_PORT_MASK_ENA. If set, SRC_PORT_MASK is AND'ed with destination result.</p> <p>PORT_MASK[51]: AGGR_PORT_MASK_ENA. If set, AGGR_PORT_MASK is AND'ed with destination result.</p> <p>PORT_MASK[50]: VLAN_PORT_MASK_ENA. If set, VLAN_PORT_MASK is AND'ed with destination result.</p> <p>PORT_MASK[10:0]: PGID table index.</p>	53				x
RT_SEL	<p>Controls routing.</p> <p>0: No change to routing.</p> <p>1: Enable routing.</p> <p>2: Disable routing.</p>	2				x
FWD_DIS	If set, forwarding of the frame to front ports is disabled. CPU extraction is still possible.	1	x	x	x	
CPU_ENA	Copy frame to specified CPU extraction queue.	1	x	x	x	x
CPU_Q	CPU extraction queue when frame is forwarded to CPU.	3	x	x	x	x
RESERVED	Must be set to 0.	16	x	x	x	x
RESERVED	Must be set to 0.	12	x	x	x	x
RESERVED	Must be set to 0.	5	x	x	x	x
RESERVED	Must be set to 0.	22	x	x	x	x
CUSTOM_ANCENA	<p>Controls S2 custom rule selection:</p> <p>Bit 0: Selects custom key to use (0: CUSTOM_1, 1: CUSTOM_2).</p> <p>Bit 1: Enables custom key for first lookup.</p> <p>Bit 2: Enables custom key for second lookup.</p>	3				x

Table 72 • VCAP CLM Actions (continued)

Field Name	Description and Encoding	Size	MLBS	MLBS_REduced	CLASSIFICATION	FULL
CUSTOM_ACE_OFFSET	Selects custom data extraction point: 0: Current position (after IFH.WORD16_POP_CNT). Only applicable to frame type ETH. 1: Link layer payload (after VLAN tags and EtherType for ETH, after control word for CW). 2: Link layer payload + 20 bytes. 3: Link layer payload + 40 bytes.	2				x
PAG_OVERRIDE_MASK	Bits set in this mask override the previous PAG result with the PAG_VAL value from this action.	8	x	x	x	
PAG_VAL	PAG is updated using the following bit mask operation: $PAG = (PAG \text{ and } \sim PAG_OVERRIDE_MASK) (PAG_VAL \text{ and } PAG_OVERRIDE_MASK)$. PAG can be used to tie VCAP CLM lookups with VCAP IS2 lookups. The PAG default value is configurable per port in ANA_CL:PORT:PORT_ID_CFG.PAG_VAL.	8	x	x	x	
RESERVED	Must be set to 0.	7				x
LPORT_NUM	Use this value for LPORT and IFH.SRC_PORT when LPORT_ENA is set.	6				x
MATCH_ID	Logical ID for the entry. If the frame is forwarded to the CPU, the MATCH_ID is extracted together with the frame. MATCH_ID is used together with MATCH_ID_MASK as follows: $MATCH_ID = (MATCH_ID \text{ and } \sim MATCH_ID_MASK) (MATCH_ID \text{ and } MATCH_ID_MASK)$. The result is placed in IFH.CL_RSLT.	12				x
MATCH_ID_MASK	Bits set in this mask overrides the previous MATCH_ID with the MATCH_ID value from this action.	12				x
PIPELINE_FORCE_ENA	If set, use PIPELINE_PT unconditionally. Override previous settings of pipeline point. Use the following pipeline actions: 0: No change to PIPELINE_PT or PIPELINE_ACT. 1: Change PIPELINE_PT and set PIPELINE_ACT=XTR. Change PIPELINE_PT and set PIPELINE_ACT=INJ (PIPELINE_ACT_SEL=0) or INJ_MASQ (PIPELINE_ACT_SEL=1) 3: Change PIPELINE_PT and set PIPELINE_ACT=LBK_QS (PIPELINE_ACT_SEL=0) or LBK_ASM (PIPELINE_ACT_SEL=1)	2	x	x	x	x
PIPELINE_PT_REDUCED	Pipeline point used if PIPELINE_FORCE_ENA is set. 0: ANA_CLM 1: ANA_OU_MIP 2: ANA_IN_MIP 3: ANA_PORT_VOE 4: ANA_OU_VOE 5: ANA_IN_VOE 6: REW_IN_VOE 7: REW_OU_VOE	3		x		

Table 72 • VCAP CLM Actions (continued)

Field Name	Description and Encoding	Size	MLBS	MLBS_REduced	CLASSIFICATION	FULL
PIPELINE_PT	Pipeline point used if PIPELINE_FORCE_ENA is set: 0: NONE 1: ANA_VRAP 2: ANA_PORT_VOE 3: ANA_CL 4: ANA_CLM 5: ANA_IPT_PROT 6: ANA_OU_MIP 7: ANA_OU_SW 8: ANA_OU_PROT 9: ANA_OU_VOE 10: ANA_MID_PROT 11: ANA_IN_VOE 12: ANA_IN_PROT 13: ANA_IN_SW 14: ANA_IN_MIP 15: ANA_VLAN 16: ANA_DONE	5	x	x	x	x
NXT_KEY_TYPE	Enforces specific key type for next VCAP CLM lookup. 0: No overruling of default key type selection. 1: MLL. 2: SGL_MLBS. 3: DBL_MLBS. 4: TRI_MLBS. 5: TRI_VID or TRI_VID_IDX, depending on configuration per VCAP CLM lookup in ANA_CL::CLM_KEY_CFG.CLM_TRI_VID_SEL. 6: LL_FULL 7: NORMAL (with normal SRC information). 8: NORMAL with DST information. This is a modified version of NORMAL key type, where: the frame's DMAC is used in the L2_SMAC key field. the frame's IPv4 DIP is used in the L3_IP4_SIP key field. 9: NORMAL_7TUPLE 10: NORMAL_5TUPLE_IP4 11: PURE_5TUPLE_IP4 12: CUSTOM1 13: CUSTOM2 14: CUSTOM4 15: CLMS_DONE Complete - disable all remaining VCAP CLM lookups.	4	x	x	x	x

Table 72 • VCAP CLM Actions (continued)

Field Name	Description and Encoding	Size	MLBS	MLBS_REduced	CLASSIFICATION	FULL
NXT_NORM_W32_OFFSET	<p>4-byte value to be added to frame pointer.</p> <p>If any reserved MPLS labels were "skipped" during key generation before VCAP CLM lookup, then these are not counted in NXT_NORM_W32_OFFSET, because frame pointer is automatically moved past "skipped" labels.</p> <p>If both NXT_NORM_W32_OFFSET and NXT_OFFSET_FROM_TYPE are specified, then frame pointer is first modified based on NXT_OFFSET_FROM_TYPE and then moved further based on NXT_NORM_W32_OFFSET..</p>	2	x			
NXT_NORM_W16_OFFSET	<p>2-byte value to be added to frame pointer.</p> <p>If any reserved MPLS labels were skipped during key generation before VCAP CLM lookup, then these are not be counted in NXT_NORM_W16_OFFSET, because frame pointer is automatically moved past "skipped" labels.</p> <p>If both NXT_NORM_W16_OFFSET and NXT_OFFSET_FROM_TYPE are specified, then frame pointer is first modified based on NXT_OFFSET_FROM_TYPE and then moved further based on NXT_NORM_W16_OFFSET.</p>	5	x	x	x	x
NXT_OFFSET_FROM_TYPE	<p>Moves frame pointer depending on type of current protocol layer.</p> <p>0: NONE. No frame pointer movement.</p> <p>1: SKIP_ETH. Skip Ethernet layer.</p> <p>If frame type is ETH, then move frame pointer past DMAC, SMAC and 0-3 VLAN tags.</p> <p>2: SKIP_IP_ETH - Skip IP layer and preceding Ethernet layer (if present).</p> <p>If frame type is ETH: Move frame pointer past DMAC, SMAC, 0–3 VLAN tags and IPv4/IPv6 header.</p> <p>If frame type is CW and IP version is 4 or 6: Move frame pointer past IPv4/IPv6 header.</p> <p>For IPv4 header frame pointer is also moved past any IPv4 header options.</p> <p>3: RSV. Reserved.</p>	2	x	x	x	x
NXT_TYPE_AFTER_OFFSET	<p>Protocol layer (frame_type) at frame pointer position after update based on NXT_OFFSET_FROM_TYPE and NXT_NORM_W16_OFFSET or NXT_NORM_W32_OFFSET.</p> <p>Frame type is only changed if one of the following conditions is true:</p> <p>a) Frame pointer is moved.</p> <p>b) Frame_type going into VCAP CLM was DATA and NXT_KEY_TYPE != 0.</p> <p>0: ETH. Frame pointer points to start of DMAC.</p> <p>1: CW (IP/MPLS PW CW/ MPLS ACH). Frame pointer points to MPLS CW/ACH or IP version.</p> <p>2: MPLS. Frame pointer points to MPLS label.</p> <p>3: DATA. "Raw" data, such as unknown protocol type.</p>	2	x	x	x	x

Table 72 • VCAP CLM Actions (continued)

Field Name	Description and Encoding	Size	MLBS	MLBS_REduced	CLASSIFICATION	FULL
NXT_NORMALIZE	Instruct rewriter to strip all frame data up to current position of frame pointer. The stripped data is not used for forwarding. When a VCAP CLM action is processed, frame pointer is updated before NXT_NORMALIZE is applied. Note The rewriter can strip a maximum of 42 bytes.	1	x	x	x	x
NXT_IDX_CTRL	Controls the generation of the G_IDX used in the VCAP CLM next lookup: 0: TRANSPARENT. G_IDX of previous parser step is carried forward to next parser step. 1: REPLACE. Replace previous G_IDX value with NXT_IDX of this result. 2: ADD. Add NXT_IDX of this result to G_IDX of previous parser step. 3: ISDX. Use ISDX as G_IDX. 4: RPL_COND_ISDX. Replace previous G_IDX value with NXT_IDX of this result. Assign ISDX to ISDX_VAL for terminated data. 5: Use ISDX with NXT_IDX for non terminated data (not CPU redir and MEP traffic). 6: Replace ISDX with NXT_IDX. Use ISDX as G_IDX in next key for non terminated data. 7: Reserved.	3	x	x	x	x
NXT_IDX	Index used as part of key (field G_IDX) in the next lookup.	12	x	x	x	x
RESERVED	Must be to zero.	1	x		x	x
PIPELINE_ACT_SEL	Used by PIPELINE_FORCE_ENA to control PIPELINE_ACT, see PIPELINE_FORCE_ENA.	1	x		x	x
LPORT_ENA	Controls if LPORT_NUM updates LPORT and IFH.SRC_PORT.	1				x

3.14 Analyzer Classifier

The analyzer classifier (ANA_CL) handles frame classification. This section provides information about the following tasks performed by ANA_CL.

- Basic classification. Initial classification including frame filtering, VLAN and QoS classification.
- VCAP CLM processing. Advanced TCAM-based classification.
- QoS mappings. Mapping and translations of incoming QoS parameters.

3.14.1 Basic Classifier

The analyzer classifier includes a common basic classifier that determines the following basic properties that affect the forwarding of each frame through the switch.

- VLAN tag extraction. Parses the frame's VLAN tags in accordance with known tag protocol identifier values.
- Pipeline point evaluation. For injected and looped frames, ensures ANA_CL is part of the frame's processing flow.
- Routing control. Evaluates if a frame can be routed in terms of VLAN tags.
- Frame acceptance filtering. Drops illegal frame types.
- QoS classification. Assigns one of eight QoS classes to the frame.

- Drop precedence (DP) classification. Assigns one of four drop precedence levels to the frame.
- DSCP classification. Assigns one of 64 DSCP values to the frame.
- VLAN classification. Extracts tag information from the frame or use the port VLAN.
- Link aggregation code generation. Generates the link aggregation code.
- Layer 2 and Layer 3 control protocol handling. Determines CPU forwarding, CPU extraction queue number, and dedicated protocol QoS handling.
- Versatile Register Access Protocol (VRAP) handling. Extracts VRAP frames to VRAP engine.
- Logical port mapping. Maps physical ingress port to logical port used by analyzer.

The outcome of the classifier is the basic classification result, which can be overruled by more intelligent frame processing with VCAP classification matching (VCAP CLM).

3.14.1.1 VLAN Tag Extraction

The following table lists the register associated with VLAN tag extraction.

Table 73 • VLAN Tag Extraction Register

Register	Description	Replication
ANA_CL::VLAN_STAG_CFG	Ethertype for S-tags in addition to default value 0x88A8.	3

Up to five different VLAN tags are recognized by the devices.

- Customer tags (C-tags), which use TPID 0x8100.
- Service tags (S-tags), which use TPID 0x88A8 (IEEE 802.1ad).
- Service tags (S-tags), which use a custom TPID programmed in ANA_CL::VLAN_STAG_CFG. Three different custom TPIDs are supported.

The devices can parse and use information from up to three VLAN tags of any of the types previously described.

Various blocks in the devices use Layer 3 and Layer 4 information for classification and forwarding. Layer 3 and Layer 4 information can be extracted from a frame with up to three VLAN tags. Frames with more than three VLAN tags are always considered non-IP frames.

3.14.1.2 Pipeline Point Evaluation

The basic classifier is active for all frames with no active pipeline information for frames injected before or at pipeline point ANA_CL and for frames extracted at or after pipeline point ANA_CL.

Frames looped by the rewriter (PIPELINE_ACT = LBK_ASM) have their REW pipeline point changed to an ANA pipeline point, which indicates the point in the analyzer flow in ANA where they appear again after being looped. The following pipeline point translation are handled.

- PIPELINE_PT = REW_PORT_VOE is changed to ANA_PORT_VOE
- PIPELINE_PT = REW_OU_VOE is changed to ANA_OU_VOE
- PIPELINE_PT = REW_IN_VOE is changed to ANA_IN_VOE
- PIPELINE_PT = REW_SAT is changed to ANA_CLM
- PIPELINE_PT = REW_OU_VOE is changed to ANA_OU_SW.
- PIPELINE_PT = REW_IN_SW is changed to ANA_IN_SW.

3.14.1.3 Routing Tag Control

The basic classifier determines which IP frames can be routed in terms of the VLAN tag types. If a frame can be routed, it is signaled to ANA_L3, where the routing decision is made. The following table lists the register associated with routing control.

Table 74 • Routing Tag Control Register

Register	Description	Replication
ANA_CL:PORT:VLAN_TPID_CTRL. BASIC_TPID_AWARE_DIS	Configures valid TPIDs for routing. This configuration is shared with VLAN classification.	Per port

Table 74 • Routing Tag Control Register (continued)

Register	Description	Replication
ANA_CL:PORT:VLAN_TPID_CTRL RT_TAG_CTRL	Configures number of valid VLAN tags in routable frames.	Per port

In order for a frame to be routed, the frame's VLAN tags must all be valid, and routing must be enabled for the number of VLAN tags in the frame.

The settings in BASIC_TPID_AWARE_DIS define each of three processed VLAN tags of which TPID values are valid for routing. The settings in RT_TAG_CTRL define the number of valid VLAN tags that must be present in routable frames.

Example: If routing is enabled for single-tagged frames with TPID=0x8100, configure the following:

- BASIC_TPID_AWARE_DIS = 0x7FFE. This invalidates all TPIDs except TPID = 0x8100 for outer most VLAN tag.
- RT_TAG_CTRL = 0x2. This enables routing of frames with one accepted tag only.

In this example, if an untagged frame is received, it is not routable because routing is not enabled for untagged frames. If a single-tagged frame is received with for instance TPID=0x88A8 or a double-tagged frame is received with for instance TPID=0x8100 for outer tag and TPID=0x8100 for inner tag, they are not routable because not all their VLAN tags are valid.

Example: To configure routing on a VLAN unaware port where routing is enabled for untagged frames only, set RT_TAG_CTRL = 0x1 to enable routing of untagged frames only.

3.14.1.4 Frame Acceptance Filtering

The following table lists the registers associated with frame acceptance filtering.

Table 75 • Frame Acceptance Filtering Registers

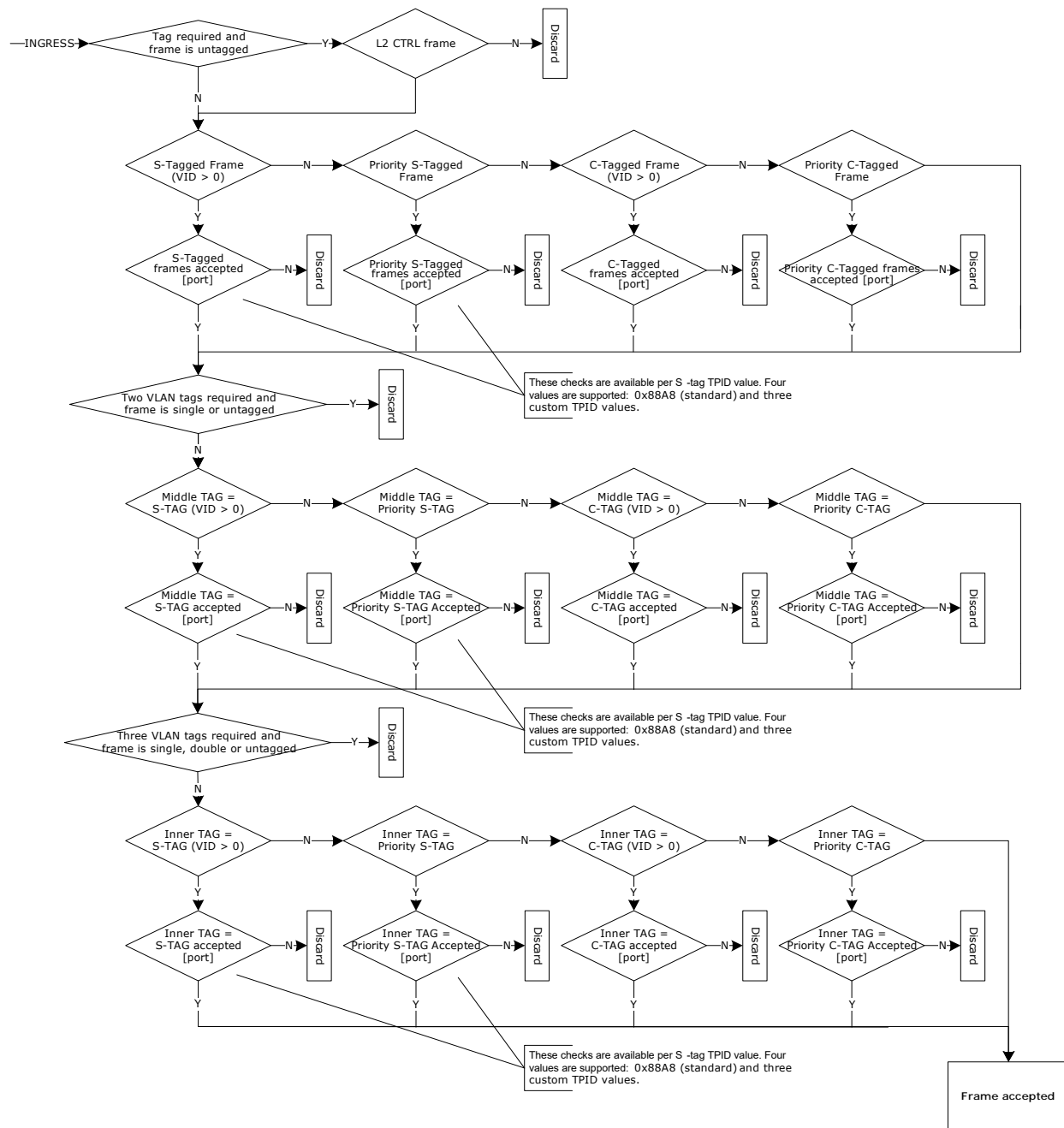
Register	Description	Replication
ANA_CL::FILTER_CTRL	Configures filtering of special frames	Per port
ANA_CL::VLAN_FILTER_CTRL	Configures VLAN acceptance filter	Three per port

Based on the configurations in the FILTER_CTRL register, the classifier can discard certain frame types that are normally not allowed to enter the network, such as the following.

- Frames with a multicast source MAC address (bit 40 in address is set)
- Frames with a null source or null destination MAC address (address = 0x000000000000)

The VLAN acceptance filter decides whether a frame's VLAN tagging is allowed on the port. It has three stages where each stage checks one of the up to three processed VLAN tags. Each stage is programmable independently of the other stages in ANA_CL:PORT:VLAN_FILTER_CTRL. The following illustration shows the flowchart for the VLAN acceptance filter.

Figure 14 • VLAN Acceptance Filter



The VLAN acceptance filter does not apply to untagged Layer 2 control protocol frames. They are always accepted even when VLAN tags are required for other frames. The following frames are recognized as Layer 2 control protocol frames:

- Frames with DMAC = 0x0180C2000000 through 0x0180C200000F
- Frames with DMAC = 0x0180C2000020 through 0x0180C200002F
- Frames with DMAC = 0x0180C2000030 through 0x0180C200003F

Tagged Layer 2 control protocol frames are handled by the VLAN acceptance filter like normal tagged frames and they must comply with the filter settings to be accepted.

Frames discarded by the frame acceptance filters are assigned PIPELINE_PT = ANA_CL and learning of the frames' source MAC addresses are at the same time disabled.

3.14.1.5 QoS, DP, and DSCP Classification

This section provides information about the functions in the QoS, DP, and DSCP classification. The three tasks are described as one, because the tasks have functionality in common.

The following table lists the registers associated with QoS, DP, and DSCP classification.

Table 76 • QoS, DP, and DSCP Classification Registers

Register	Description	Replication
ANA_CL:PORT:QOS_CFG	Configuration of the overall classification flow for QoS, DP, and DSCP.	Per port
ANA_CL:PORT:PCP_DEI_MAP_CFG	Port-based mapping of (DEI, PCP) to (DP, QoS).	Per port per DEI per PCP (16 per port)
ANA_CL::DSCP_CFG	DSCP configuration per DSCP value.	Per DSCP (64)
ANA_CL::QOS_MAP_CFG. DSCP_REWR_VAL	DSCP rewrite values per QoS class.	Per QoS class (8)
ANA_CL::CPU_8021_QOS_CFG	Configuration of QoS class for Layer 2 control protocol frames redirected to the CPU.	Per Layer 2 protocol address (32)

The basic classification provides the user with control of the QoS, DP, and DSCP classification algorithms. The result of the basic classification are the following frame properties:

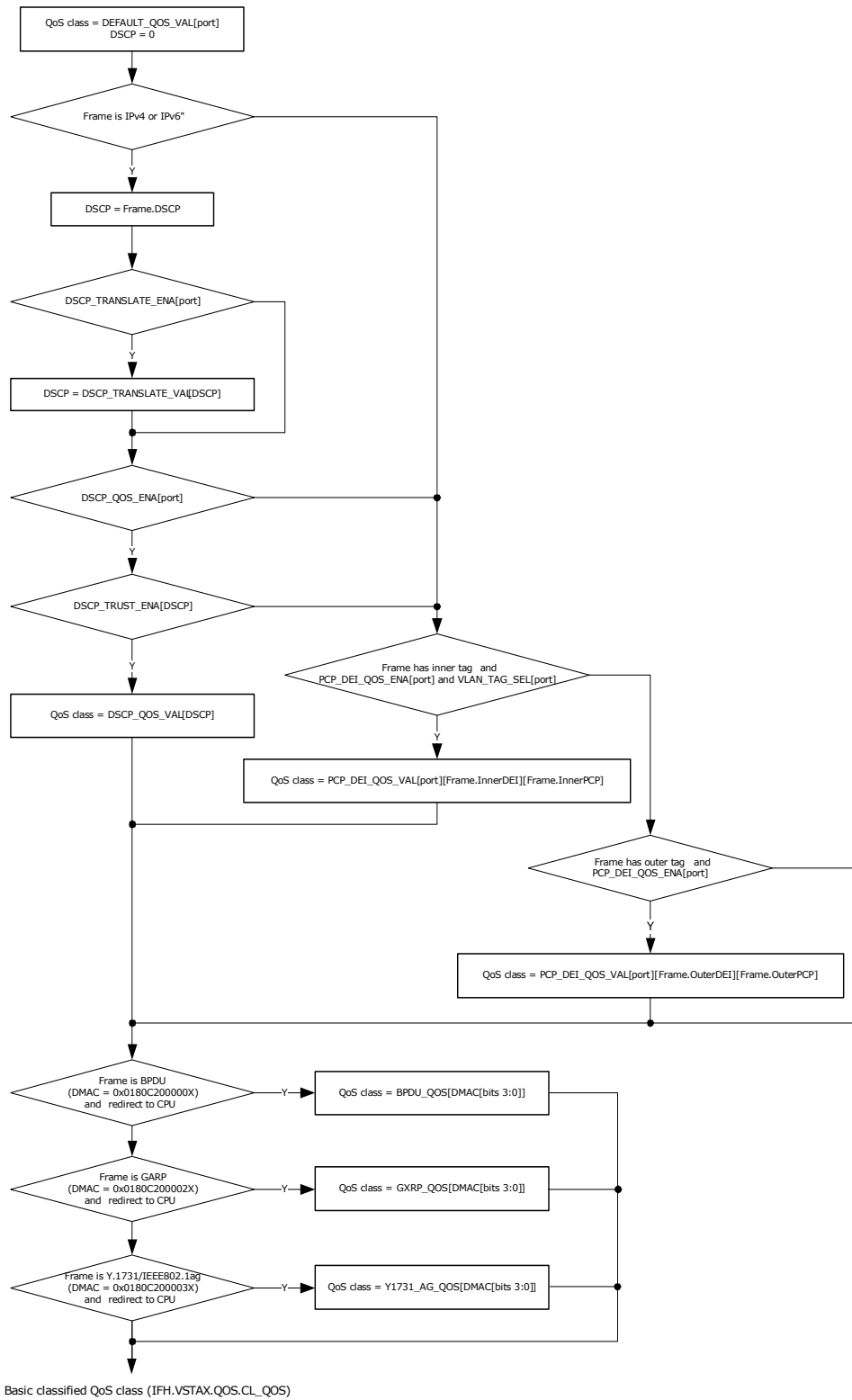
- The frame's QoS class. This class is encoded in a 3-bit field, where 7 is the highest priority QoS class and 0 is the lowest priority QoS class. The QoS class is used by the queue system when enqueueing frames and when evaluating resource consumptions, for policing, statistics, and rewriter actions. The QoS class is carried internally in the IFH field IFH.VSTAX.QOS.CL_QOS.
- The frame's DP level. This level is encoded in a 2-bit field, where frames with DP = 3 have the highest probability of being dropped and frames with DP = 0 have the lowest probability. The DP level is used by the MEF compliant policers for measuring committed and peak information rates, for restricting memory consumptions in the queue system, for collecting statistics, and for rewriting priority information in the rewriter. The DP level is incremented by the policers if a frame is exceeding a programmed committed information rate. The DP level is carried internally in the IFH field IFH.VSTAX.QOS.CL_DP.
- The frame's DSCP. This value is encoded in a 6-bit fields. The DSCP value is forwarded with the frame to the rewriter where it is translated and rewritten into the frame. The DSCP value is only applicable to IPv4 and IPv6 frames. The DSCP is carried internally in the IFH field IFH.QOS.DSCP.

The classifier looks for the following fields in the incoming frame to determine the QoS, DP, and DSCP classification:

- Priority Code Point (PCP) when the frame is VLAN tagged or priority tagged. There is an option to use the inner tag for double tagged frames (VLAN_CTRL.VLAN_TAG_SEL).
- Drop Eligible Indicator (DEI) when the frame is VLAN tagged or priority tagged. There is an option to use the inner tag for double tagged frames (VLAN_CTRL.VLAN_TAG_SEL).
- DSCP (all 6 bits, both for IPv4 and IPv6 packets). The classifier can look for the DSCP value behind up to three VLAN tags. For non-IP frames, the DSCP is 0 and it is not used elsewhere in the switch.
- Destination MAC address (DMAC) for L2CP frames. Layer 2 control protocol frames that are redirected to the CPU are given a programmable QoS class independently of other frame properties.

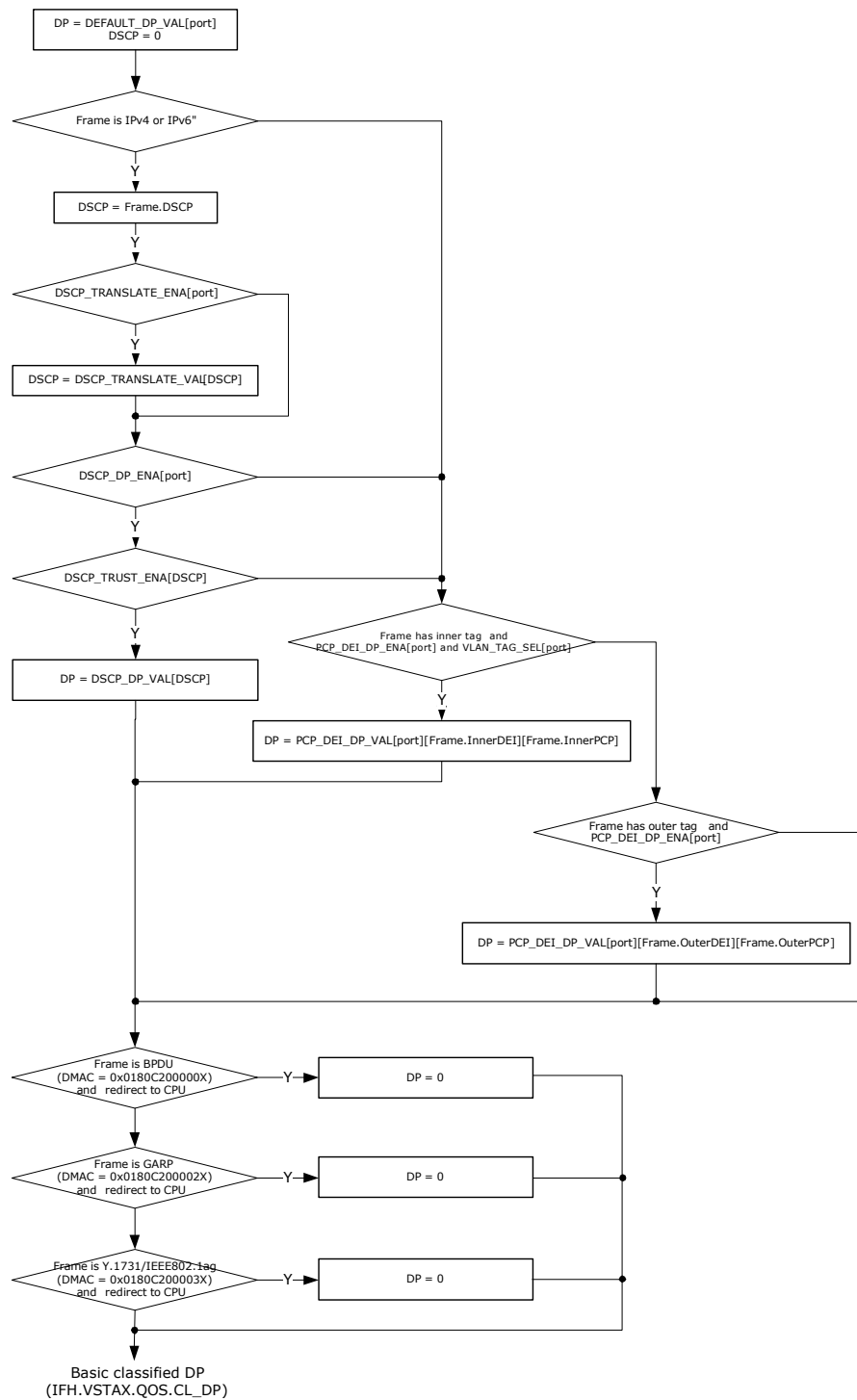
The following illustration shows the flow chart of basic QoS classification.

Figure 15 • Basic QoS Classification Flow Chart



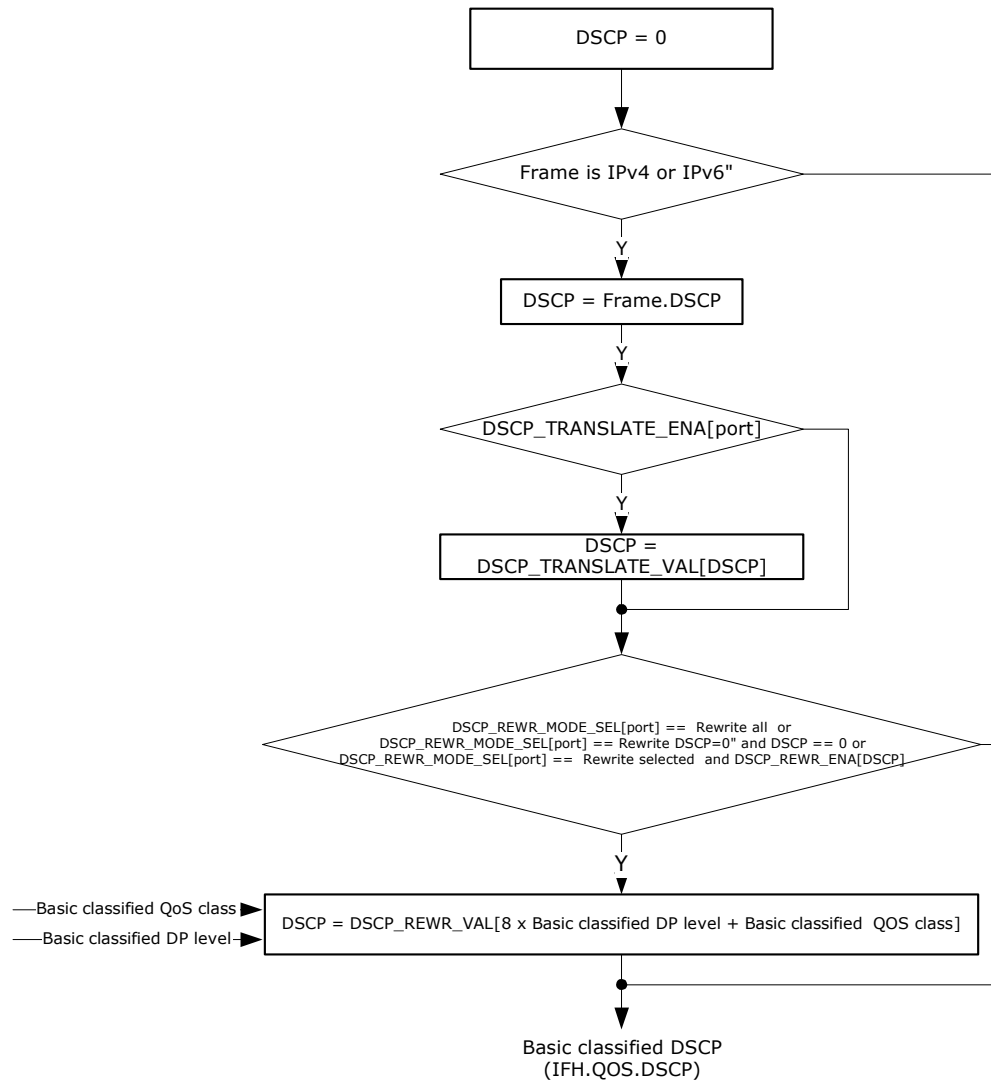
The following illustration shows the flow chart for basic DP classification.

Figure 16 • Basic DP Classification Flow Chart



The following illustration shows the flow chart for basic DSCP classification.

Figure 17 • Basic DSCP Classification Flow Chart



Note that the DSCP translation part is common for both QoS, DP, and DSCP classification, and the DSCP trust part is common for both QoS and DP classification.

The basic classifier has the option to overrule rewriter configuration (REW:PORT:DSCP_MAP) that remaps the DSCP value at egress. When ANA_CL:PORT:QOS_CFG.DSCP_KEEP_ENA is set, the rewriter is instructed not to modify the frame's DSCP value (IFH.QOS.TRANSP_DSCP is set to 1).

The basic classified QoS, DP, and DSCP can be overwritten by more intelligent decisions made in the VCAP CLM.

3.14.1.6 VLAN Classification

The following table lists the registers associated with VLAN classification.

Table 77 • VLAN Configuration Registers

Register	Description	Replication
ANA_CL:PORT:VLAN_CTRL	Configures the port's processing of VLAN information in VLAN-tagged and priority-tagged frames. Configures the port-based VLAN.	Per port

Table 77 • VLAN Configuration Registers (continued)

ANA_CL::VLAN_STAG_CFG	Configures custom S-tag TPID value.	3
ANA_CL:PORT:PCP_DEI_TRANS_CFG	Port-based translation of (DEI, PCP) to basic classified (DEI, PCP).	Per port per DEI per PCP (16 per port)
ANA_CL:PORT:VLAN_TPID_CTRL. BASIC_TPID_AWARE_DIS	Configures valid TPIDs for VLAN classification. This configuration is shared with routing tag control.	Per port

The VLAN classification determines the following set of VLAN parameters for all frames:

- Priority Code Point (PCP). The PCP is carried internally in the IFH field IFH.VSTAX.TAG.CL_PCP.
- Drop Eligible Indicator (DEI). The DEI is carried internally in the IFH field IFH.VSTAX.TAG.CL_DEI.
- VLAN Identifier (VID). The VID is carried internally in the IFH field IFH.VSTAX.TAG.CL_VID.
- Tag Protocol Identifier (TPID) type, which holds information about the TPID of the tag used for classification. The TPID type is carried internally in IFH field IFH.VSTAX.TAG.TAG_TYPE. Extended information about the tag type is carried in IFH.DST.TAG_TPID.

The devices recognize five types of tags based on the TPID, which is the EtherType in front of the tag:

- Customer tags (C-tags), which use TPID 0x8100.
- Service tags (S-tags), which use TPID 0x88A8 (IEEE 802.1ad).
- Custom service tags (S-tags), which use one of three custom TPIDs programmed in ANA_CL::VLAN_STAG_CFG. Three different values are supported.

For customer tags and service tags, both VLAN tags (tags with nonzero VID) and priority tags (tags with VID = 0) are processed.

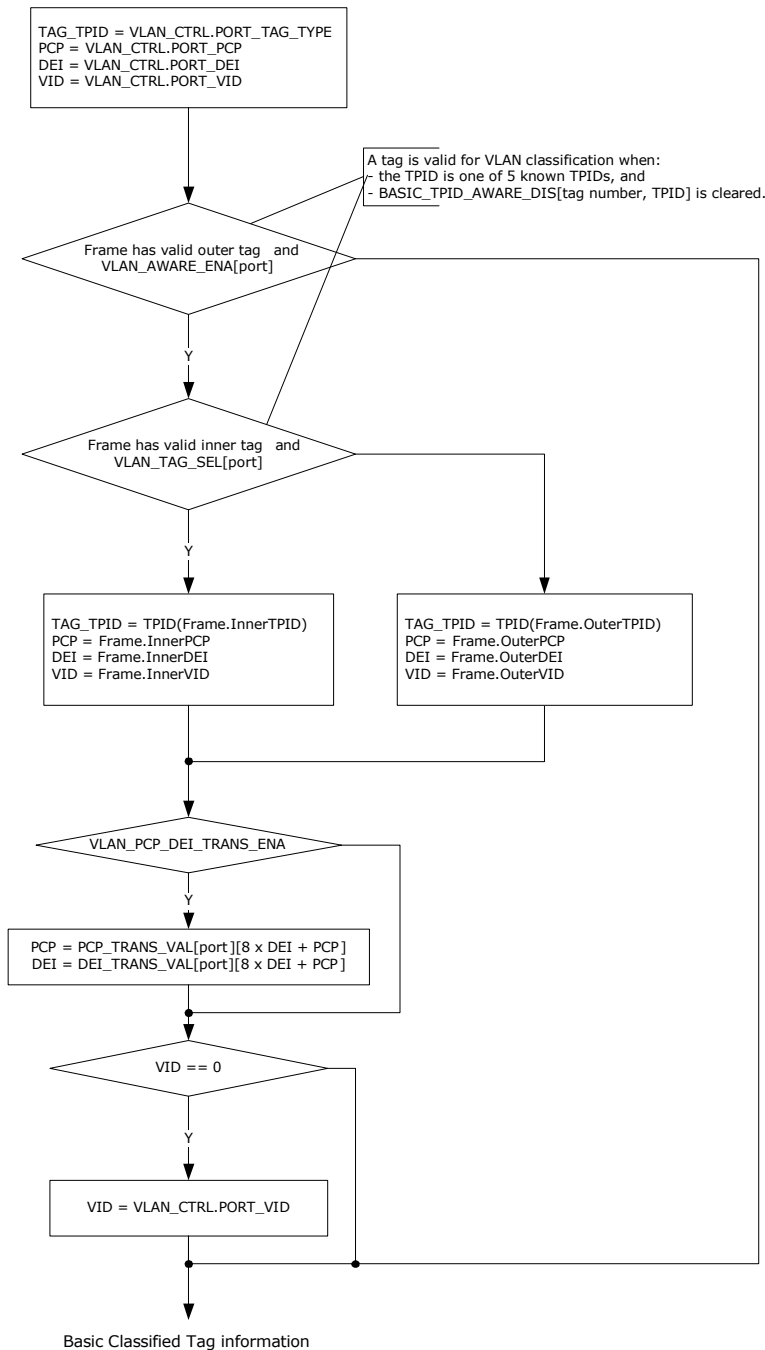
It is configurable which of the five recognized TPIDs are valid for the VLAN classification (VLAN_TPID_CTRL.BASIC_TPID_AWARE_DIS). Only VLAN tags with valid TPIDs are used by the VLAN classification. The parsing of VLAN tags stops when a VLAN tag with an invalid TPID is seen.

The VLAN tag information is either retrieved from a tag in the incoming frame or from default port-based configuration. The port-based VLAN tag information is configured in ANA_CL:PORT:VLAN_CTRL.

For double tagged frames (at least two VLAN tags with valid TPIDs), there is an option to use the inner tag instead of the outer tag (VLAN_CTRL.VLAN_TAG_SEL). Note that if the frame has more than two valid VLAN tags, the inner tag refers to the tag immediately after the outer tag.

The following illustration shows the flow chart for basic VLAN classification.

Figure 18 • Basic VLAN Classification Flow Chart



In addition to the classification shown, the port decides the number of VLAN tags to pop at egress (VLAN_CTRL.VLAN_POP_CNT). If the configured number of tags to pop is greater than the actual number of valid tags in the frame, the number is reduced to the number of actual valid tags in the frame. A maximum of three VLAN tags can be popped. The VLAN pop count is carried in IFH field IFH.TAGGING.POP_CNT.

Finally, the VLAN classification sets IFH field IFH.VSTAX.TAG.WAS_TAGGED if the port is VLAN aware and the frame has one or more valid VLAN tags. WAS_TAGGED is used the rewriter to make decision on whether tag information from existing tags can be used for rewriting.

The basic classified tag information can be overwritten by more intelligent decisions made in the VCAP CLM.

3.14.1.7 Link Aggregation Code Generation

This section provides information about the functions in link aggregation code generation.

The following table lists the registers associated with aggregation code generation.

Table 78 • Aggregation Code Generation Registers

Register	Description	Replication
ANA_CL::AGGR_CFG	Configures use of Layer 2 through Layer 4 flow information for link aggregation code generation.	Common

The classifier generates a link aggregation code, which is used in the analyzer when selecting to which port in a link aggregation group a frame is forwarded.

The following contributions to the link aggregation code are configured in the AGGR_CFG register.

- Destination MAC address—use the 48 bits of the DMAC.
- Reversed destination MAC address—use the 48 bits of the DMAC in reverse order (bit 47 becomes bit 0, bit 46 becomes bit 1, and so on).
- Source MAC address—use the lower 48 bits of the SMAC.
- IPv6 flow label—use the 20 bits of the flow label.
- Source and destination IP addresses for IPv4 and IPv6 frames —use all bits of both the SIP and DIP.
- TCP/UDP source and destination ports for IPv4 and IPv6 frames use the 16 bits of both the SPORT and DPORT.
- Random aggregation code—use a 4-bit pseudo-random number.

All contributions that are enabled are 4-bit XOR'ed, and the resulting code is used by the Layer 2 forwarding function (ANA_AC) to select 1 out of 16 link aggregation port masks. The 16 link aggregation port masks are configured in ANA_AC:AGGR. For more information see [Aggregation Group Port Selection](#), page 186.

If AGGR_CFG.AGGR_USE_VSTAX_AC_ENA is enabled and the frame has a VStaX header, all other contributions to link aggregation code calculation are ignored, and the AC field of the VStaX-header is used directly. Otherwise, link aggregation code generation operates as previously described.

Note that AGGR_CFG.AGGR_DMACH_REVERSED_ENA and AGGR_CFG.AGGR_DMACH_ENA are independent. If both bits are enabled, the frame's DMACH contributes both normally and reversed in the link aggregation code calculation.

3.14.1.8 CPU Forwarding Determination

The following table lists the registers associated with CPU forwarding in the basic classifier.

Table 79 • CPU Forwarding Registers

Register	Description	Replication
ANA_CL:PORT:CAPTURE_CFG	Enables CPU forwarding for various frame types. Configures valid TPIDs for CPU forwarding.	Per port
ANA_CL:PORT:CAPTURE_BPDU_CFG	Enables CPU forwarding per BPDU address	Per port
ANA_CL:PORT:CAPTURE_GxRP_CFG	Enables CPU forwarding per GxRP address	Per port
ANA_CL:PORT:CAPTURE_Y1731/IEEE802.1ag_CFG	Enables CPU forwarding per Y.1731/IEEE802.1ag address	Per port
ANA_CL::CPU_PROTO_QU_CFG	CPU extraction queues for various frame types	None
ANA_CL::CPU_8021_QU_CFG	CPU extraction queues for BPDU, GARP, and Y.1731/IEEE802.1ag addresses	None
ANA_CL::VRAP_CFG	VLAN configuration of VRAP filter	None

Table 79 • CPU Forwarding Registers (continued)

Register	Description	Replication
ANA_CL::VRAP_HDR_DATA	Data match against VRAP header	None
ANA_CL::VRAP_HDR_MASK	Mask used to don't care bits in the VRAP header	None

The basic classifier has support for determining whether certain frames must be forwarded to the CPU extraction queues. Other parts of the VSC7442-02, VSC7444-02, VSC7448-02, and VSC7449-02 devices can also determine CPU forwarding, for example, the VCAPs or the VOs. All events leading to CPU forwarding are OR'ed together, and the final CPU extraction queue mask, which is available to the user, contains the sum of all events leading to CPU extraction.

Upon CPU forwarding by the basic classifier, the frame type and configuration determine whether the frame is redirected or copied to the CPU. Any frame type or event causing a redirection to the CPU causes all front ports to be removed from the forwarding decision—only the CPU receives the frame. When copying a frame to the CPU, the normal forwarding of the frame to front ports is unaffected.

The following table lists the standard frame types recognized by the basic classifier, with respect to CPU forwarding.

Table 80 • Frame Type Definitions for CPU Forwarding

Frame	Condition	Copy/Redirect
BPDU Reserved Addresses (IEEE 802.1D 7.12.6)	DMAC = 0x0180C2000000 to 0x0180C200000F	Redirect/Copy/Discard
GARP Application Addresses (IEEE 802.1D 12.5)	DMAC = 0x0180C2000020 to 0x0180C200002F	Redirect/Copy/Discard
Y.1731/IEEE802.1ag Addresses	DMAC = 0x0180C2000030 to 0x0180C200003F	Redirect/Copy/Discard
IGMP	DMAC = 0x01005E000000 to 0x01005E7FFFFFFF EtherType = IPv4 IP Protocol = IGMP	Redirect
MLD	DMAC = 0x333300000000 to 0x3333FFFFFFFF EtherType = IPv6 IPv6 Next Header = 0 (Hop-by-hop options header) Hop-by-hop options header with the first option being a Router Alert option with the MLD message (Option Type = 5, Opt Data Len = 2, Option Data = 0).	Redirect
Hop-by-hop	EtherType = IPv6 IPv6 Next Header = 0 (Hop-by-hop options header)	Redirect
ICMPv6	EtherType = IPv6 IPv6 Next Header = 58 (ICMPv6)	Redirect
IPv4 Multicast Ctrl	DMAC = 0x01005E000000 to 0x01005E7FFFFFFF EtherType = IPv4 IP protocol is not IGMP IPv4 DIP inside 224.0.0.x	Copy
IPv6 Multicast Ctrl	DMAC = 0x333300000000 to 0x3333FFFFFFFF EtherType = IPv6 IPv6 header is not hop-by-hop or ICMPv6 IPv6 DIP inside FF02::/16	Copy

Each frame type has a corresponding CPU extraction queue. Note that hop-by-hop and ICMPv6 frames share the same CPU extraction queue.

Prior to deciding whether to CPU forward a frame, the frame's VLAN tagging must comply with a configurable filter (ANA_CL::CAPTURE_CFG.CAPTURE_TPID_AWARE_DIS). For all frame types listed

in Table 80, page 111, only untagged frames or VLAN-tagged frames where the outer VLAN tag's TPID is not disabled are considered.

The basic classifier can recognize VRAP frames and redirect them to the CPU. This is a proprietary frame format, which is used for reading and writing switch configuration registers through Ethernet frames. For more information, see [VRAP Engine](#), page 289.

The VRAP filter in the classifier performs three checks in order to determine whether a frame is a VRAP frame:

1. VLAN check. The filter can be either VLAN unaware or VLAN aware (ANA_CL::VRAP_CFG.VRAP_VLAN_AWARE_ENA). If VLAN unaware, VRAP frames must be untagged. If VLAN aware, VRAP frames must be VLAN tagged and the frame's VID must match a configured value (ANA_CL::VRAP_CFG.VRAP_VID). Double VLAN tagged frames always fail this check.
2. EtherType and EPID check. The EtherType must be 0x8880 and the EPID (bytes 0 and 1 after the EtherType) must be 0x0004.
3. VRAP header check. The VRAP header (bytes 0, 1, 2, and 3 after the EPID) must match a 32-bit configured value (ANA_CL::VRAP_HDR_DATA) where any bits can be don't cared by a mask (ANA_CL::VRAP_HDR_MASK).

If all three checks are fulfilled, frames are redirected to CPU extraction queue ANA_CL::CPU_PROTO_QU_CFG.CPU_VRAP_QU. The VRAP filter is enabled in ANA_CL:PORT:CAPTURE_CFG.CPU_VRAP_REDIR_ENA.

3.14.1.9 Logical Port Mapping

The basic classifier works on the physical port number given by the interface where the frame was received. Other device blocks work on a logical port number that defines the link aggregation instance rather than the physical port. The logical port number is defined in ANA_CL:PORT:PORT_ID_CFG.LPORT_NUM. It is, for instance, used for learning and forwarding in ANA_L2.

3.14.2 VCAP CLM Processing

Each frame is matched six times against entries in the VCAP CLM. The matching is done in serial implying results from one match can influence the keys used in the next match.

The VCAP CLM returns an action for each enabled VCAP CLM lookup. If the lookup matches an entry in VCAP CLM, the associated action is returned. If an entry is not matched, a per-port default action is returned. There is no difference between an action from a match and a default action.

3.14.2.1 VCAP CLM Port Configuration and Key Selection

This section provides information about special port configurations that control the key generation for VCAP CLM.

The following table lists the registers associated with port configuration for VCAP CLM.

Table 81 • Port Configuration of VCAP CLM

Register	Description	Replication
ANA_CL:PORT:ADV_CL_CFG	Configuration of the key selection for the VCAP CLM. Enables VCAP CLM lookups.	Per port per lookup
ANA_CL::CLM_MISC_CTRL	Force lookup in VCAP CLM for looped frames or frames where processing is terminated by a pipeline point.	None

VCAP CLM is looked up if the lookup is enabled by the port configuration (ADV_CL_CFG.LOOKUP_ENA) or if the previous VCAP CLM lookup has returned a key type for the next lookup through VCAP CLM action NXT_KEY_TYPE. However, if the previous lookup returns NXT_KEY_TYPE = CLMS_DONE, then no further lookups are done, even if the port has enabled the lookup.

Prior to each VCAP CLM lookup, the type of key to be used in the lookup is selected. A number of parameters control the key type selection:

- Configuration parameters (ADV_CL_CFG).
For each (port, VCAP CLM lookup) a key type can be specified for different frame types. Although any key type can be specified for a given frame type, not all key types are in reality applicable to a given frame type. The applicable key types are listed in the ANA_CL:PORT:ADV_CL_CFG register description. The following frame types are supported:
 - IPv6 frames (EtherType 0x86DD and IP version 6)
 - IPv4 frames (EtherType 0x0800 and IP version 4)
 - MPLS unicast frames (EtherType 0x8847)
 - MPLS multicast frames (EtherType 0x8848)
 - MPLS label stack processing (frame type after MPLS link layer is processed)
 - Other frames (non-MPLS, non-IP)
- The type of the current protocol layer.
For each VCAP CLM lookup, a frame pointer can optionally be moved to the next protocol layer, and the type of the next protocol layer can be specified. This influences key type selection for the next VCAP CLM lookup. The variables `frame_ptr` and `frame_type` holds information about the current protocol layer. For more information about how `frame_ptr` and `frame_type` is updated after each VCAP CLM lookup, see [Frame Pointer and Frame Type Update](#), page 115.

Key type specified in action in previous VCAP CLM lookup.

The action of a VCAP CLM lookup can optionally specify a specific key type to be used in the following VCAP CLM lookup.

The full algorithm used for selecting VCAP CLM key type is shown in the following pseudo code.

```
// =====
// ANA_CL: VCAP CLM Key Type Selection
//
// Determine which key type to use in VCAP CLM lookup.
// The algorithm is run prior to each VCAP CLM lookup.
// -----
// Frame position (byte pointer) for use as base for next VCAP CLM key
// Updated by UpdateFramePtrAndType() upon VCAP CLM lookup
int frame_ptr = 0;

// Frame type at frame_ptr position.
// Updated by UpdateFramePtrAndType() upon VCAP CLM lookup
//
// Supported values:
// ETH: frame_ptr points to DMAC
// CW: frame_ptr points to start of IP header or CW/ACH of MPLS frame
// MPLS: frame_ptr points to an MPLS label.
frame_type_t frame_type = ETH;

int ClmKeyType(
    // VCAP CLM index. 0=First VCAP CLM lookup, 5=Last lookup
    clm_idx,

    // Action from previous VCAP CLM lookup (if clm_idx > 0)
    //
    // clm_action.vld is only set if VCAP CLM lookup
    // was enabled.
    clm_action,
)
{
    int key_type = 0;
    port_cfg_t port_clm_cfg;
    port_clm_cfg = csr.port[port_num].adv_cl_cfg[clm_idx];
}
```

```

if (clm_action.vld && clm_action.nxt_key_type != 0) {
    // Previous VCAP CLM lookup specifies next key type
    return clm_action.nxt_key_type;
}

// Determine key type based on port parameters and frame_ptr/frame_type
switch (frame_type) {
case ETH:
    // Choose key type based on EtherType
    // The EtherType() function skips any VLAN tags. A maximum of 3 VLAN
    // tags can be skipped.
    switch (EtherType(frame_ptr)) {
    case ETYPE_IP4: // 0x0800
        key_type = port_clm_cfg.ip4_clm_key_sel;
        break;

    case ETYPE_IP6: // 0x86DD
        key_type = port_clm_cfg.ip6_clm_key_sel;
        break;

    case ETYPE_MPLS_UC: // 0x8847
        key_type = port_clm_cfg.mpls_uc_clm_key_sel;
        break;
    case ETYPE_MPLS_MC: // 0x8848
        key_type = port_clm_cfg.mpls_mc_clm_key_sel;
        break;
    }
    if (key_type = 0) {
        key_type = port_clm_cfg.etype_clm_key_sel;
    }
    break;

case CW:
    switch (IPVersion(frame_ptr)) {
    case 4 : key_type = port_clm_cfg.ip4_clm_key_sel; break;
    case 6 : key_type = port_clm_cfg.ip6_clm_key_sel; break;
    default: key_type = port_clm_cfg.etype_clm_key_sel; break;
    }
    break;
case MPLS:
    key_type = port_clm_cfg.mlbs_clm_key_sel;
    break;
}
return key_type;
} // ClmKeyType

// -----
// ANA_CL: VCAP CLM Key Type Selection
// =====

```

By default, frames looped by the rewriter or frames already discarded or CPU-redirectioned, for instance the basic classifier, are not subject to VCAP CLM lookups. Optionally, VCAP CLM lookups can be enforced through configuration ANA_CL::CLM_MISC_CTRL.LBK_CLM_FORCE_ENA for looped frames and through ANA_CL::CLM_MISC_CTRL.IGR_PORT_CLM_FORCE_ENA for frames already discarded or CPU-redirectioned. When forcing a VCAP CLM lookup, the VCAP CLM key is chosen from the configuration in ANA_CL::CLM_MISC_CTRL.FORCED_KEY_SEL. Only selected keys are available.

3.14.2.2 Frame Pointer and Frame Type Update

After each VCAP CLM lookup, the information in the associated action is used to update `frame_ptr` and `frame_type`. This in turn influences the key type and key field values used for the next VCAP CLM lookup.

The following fields in the VCAP CLM action can be used to move to the next protocol layer:

- `NXT_OFFSET_FROM_TYPE`.
Move frame pointer past current protocol layer (Ethernet and/or IP). The actual number of bytes the frame pointer is moved may vary depending on content of the current protocol layer, such as the number of VLAN tags or IPv4 options.
- `NXT_NORM_W16_OFFSET`.
Move frame pointer a number of 16 bit words. If both `NXT_OFFSET_FROM_TYPE` and `NXT_NORM_W16_OFFSET` are specified, then frame pointer is first moved based on `NXT_OFFSET_FROM_TYPE` and afterwards moved further into the frame based on `NXT_NORM_W16_OFFSET`.
- `NXT_TYPE_AFTER_OFFSET`.
Specify protocol layer at new frame pointer position.

For more information about VCAP CLM action fields, see [Table 72](#), page 94.

Each VCAP CLM lookup can at most move the frame pointer 66 bytes. The following pseudo code shows the algorithm used to update `frame_ptr` and `frame_type` upon each VCAP_CLM lookup.

```
// =====
// ANA_CL: VCAP CLM Frame Pointer and Frame Type Update
//
// Update frame_ptr and frame_type upon VCAP CLM lookup.
// Prior to first VCAP CLM lookup frame_ptr is initialized to 0 and
// frame_type is set to ETH.
// The algorithm is run after each VCAP CLM lookup.
// -----

// Function for updating
//   frame_ptr
//   frame_type
// based on action from VCAP CLM lookup
void UpdateFramePtrAndType(
    // VCAP CLM index. 0=First VCAP CLM lookup,
    // 5=Last VCAP CLM lookup
    clm_idx,

    // Action from VCAP CLM lookup
    // clm_action.vld is only set if
    // VCAP CLM lookup was enabled.
    clm_action,

    // From ClmKeyFieldsMpls()
    clm_key_fields_mpls,
)
{
    int frame_ptr_current = frame_ptr;
    int frame_type_current = frame_type;

    if (!clm_action.vld) return;

    if (clm_action.nxt_offset_from_type > 0) {
        // Move frame_ptr based on frame type
        switch (clm_action.nxt_offset_from_type) {
            case SKIP_ETH:
                if (frame_type_current == ETH) {
```

```

    // Move frame_ptr past DMAC, SMAC, 0-3 VLAN tags and EtherType
    SkipLinkLayer(&frame_ptr);
  }
  break;

case SKIP_IP_ETH:
  switch (frame_type_current) {
  case ETH:
    // Move frame_ptr past DMAC, SMAC, 0-3 VLAN tags and EtherType
    if (EtherType(frame_ptr) == ETYPE_IP4) || // 0x0800
        (EtherType(frame_ptr) == ETYPE_IP6) { // 0x86DD
      SkipLinkLayer(&frame_ptr);

      // Move frame_ptr past IPv4 header (including options) or
      // IPv6 header
      SkipIPHeader(&frame_ptr);
    }
    break;

  case CW:
    switch (IPVersion(frame_ptr)) {
    case 4:
    case 6:
      // Move frame_ptr past IPv4 header (including options) or
      // IPv6 header
      SkipIPHeader(&frame_ptr);
      break;
    }
    break;
  }
}

frame_type = clm_action.nxt_type_after_offset;
} // clm_action.nxt_offset_from_type > 0

if (clm_action.nxt_norm_wl6_offset > 0) {
  // Move frame_ptr a specific number of bytes
  frame_ptr = frame_ptr + 2*clm_action.nxt_norm_wl6_offset;
  frame_type = clm_action.nxt_type_after_offset;
}

if (frame_type_current == DATA &&
    clm_action.nxt_key_type != 0) {
  // Allow frame_type change, regardless of whether frame_ptr
  // has been moved
  frame_type = clm_action.nxt_type_after_offset;
}

// PW termination of MPLS frame
if (clm_action.fwd_type == TERMINATE_PW) {
  if (IsOam(frame_ptr, csr) && (clm_key_fields_mpls.rsv_lbl_pos) {
    // Reserved label used to identify OAM
    // Move frame_ptr if reserved MPLS label was skipped by
    // ClmKeyFieldsMpls() in key generation prior to VCAP CLM lookup
    frame_ptr += 4;
  } elseif (frame_type == CW && !IsOam(frame_ptr, csr)) {
    // PW termination of MPLS frame with CW => Skip CW and
    // change frame_type
    frame_ptr += 4;
  }
}

```

```

        frame_type = ETH;
    }
}

// OAM LSP
if (clm_action.fwd_type == POP_LBL && IsOam(frame_ptr, csr) &&
    (clm_key_fields_mpls.rsv_lbl_pos)) {
    // Reserved label used to identify OAM
    // Move frame_ptr if reserved MPLS label was skipped by
    // ClmKeyFieldsMpls() in key generation prior to VCAP CLM lookup
    frame_ptr += 4;
}

if (frame_ptr - frame_ptr_current > 66) {
    // Cannot skip >66 bytes per VCAP CLM.
    // Set sticky bit and don't skip anything
    csr.adv_cl_max_wl6_offset_fail_sticky = 1;
    frame_ptr = frame_ptr_current;
    frame_type = frame_type_current;
}

if (frame_ptr > 126 ) {
    // Cannot skip >126 bytes total.
    // Set sticky bit and discard frame
    csr.adv_cl_nxt_offset_too_big_sticky = 1;
    frame.abort = true;
}
} // UpdateFramePtrAndType

// -----
// ANA_CL: VCAP CLM Frame Pointer and Frame Type Update
// -----

```

3.14.2.3 Removing Protocol Layers

The analyzer classifier can instruct the rewriter to remove protocol layers from the frame, that is, to remove a number of bytes from the start of the frame.

This is achieved by setting the `NXT_NORMALIZE` action field in the VCAP CLM action. When `NXT_NORMALIZE` is set in a VCAP CLM action, then the frame pointer for the next VCAP CLM lookup (if any) is calculated, and the rewriter is then instructed to remove all bytes up to, but not including, the position pointed to by the frame pointer. For more information about the calculation, see [Frame Pointer and Frame Type Update](#), page 115.

If multiple VCAP CLM actions have the `NXT_NORMALIZE` bit set, the last such action controls the number of bytes removed by the rewriter.

Note that the rewriter can skip a maximum of 42 bytes, starting at the DMAC of the frame. This corresponds to an Ethernet header with three VLAN tags and an MPLS stack with three LSEs and a control word (CW).

3.14.2.4 Miscellaneous VCAP CLM Key Configuration

The analyzer classifier can control some specific fields when generating the VCAP CLM keys. The following table lists the registers that control the parameters.

Table 82 • Miscellaneous VCAP CLM Key Configuration

Register	Description	Replication
ANA_CL:PORT:ADV_CL_CFG	Configures L3_DSCP and TC10 source.	Per port per VCAP CLM lookup

Table 82 • Miscellaneous VCAP CLM Key Configuration (continued)

Register	Description	Replication
ANA_CL::CLM_MISC_CTRL	Configures IGR_PORT_MASK_SEL and IGR_PORT_MASK.	None

Each port can control specific fields in the generated keys:

- Selects source of DSCP in L3_DSCP key field (ANA_CL:PORT:ADV_CL_CFG.USE_CL_DSCP_ENA). By default, the DSCP value is taken from the frame. Another option is to use the current classified DSCP value as input to the key. The current classified DSCP value is the result from either the previous VCAM_CLM lookup or the basic classifier if this is the first lookup.
- Selects source of VID, PCP, and DEI in the VID0, PCP0, and DEI0 key fields (ANA_CL:PORT:ADV_CL_CFG.USE_CL_TCI0_ENA). By default, the values are taken from the outer VLAN tag in the frame (or port's VLAN if frame is untagged). Another option is to use the current classified values as input to the key. The current classified values are the result from either the previous VCAM_CLM lookup or the basic classifier if this is the first lookup.

Note that these configurations are only applicable to keys containing the relevant key fields.

VCAP CLM keys NORMAL, NORMAL_7TUPLE, and NORMAL_5TUPLE_IP4 contain the key fields IGR_PORT_MASK_SEL and IGR_PORT_MASK. For frames received on a front port, IGR_PORT_MASK_SEL is set to 0 and the bit corresponding to the frame's physical ingress port number is set in IGR_PORT_MASK. The following lists some settings for frames received on other interfaces and how this can be configured through register CLM_MISC_CTRL:

- Loopback frames:
By default, IGR_PORT_MASK_SEL=1 and IGR_PORT_MASK has one bit set corresponding to the physical port which the frame was looped on. Optionally use IGR_PORT_MASK_SEL = 3.
- Masqueraded frames:
By default, IGR_PORT_MASK_SEL=0 and IGR_PORT_MASK has one bit set corresponding to the masquerade port. Optionally, use IGR_PORT_MASK_SEL = 2.
- VStaX frames:
By default, frames received with a VStaX header on a front port use IGR_PORT_MASK_SEL = 0. Optionally, use IGR_PORT_MASK_SEL = 3.
- Virtual device frames:
By default, IGR_PORT_MASK_SEL = 0 and IGR_PORT_MASK has one bit set corresponding to the original physical ingress port. Optionally, use IGR_PORT_MASK_SEL = 3.
- CPU injected frames:
By default, IGR_PORT_MASK_SEL=0 and IGR_PORT_MASK has none bits set. Optionally use IGR_PORT_MASK_SEL=3.

For more information about the contents of IGR_PORT_MASK_SEL and IGR_PORT_MASK, see [VCAP CLM Keys and Actions](#), page 73.

3.14.2.5 VCAP CLM Range Checkers

The following table lists the registers associated with configuring VCAP CLM range checkers.

Table 83 • VCAP CLM Range Checker Configuration Registers Overview

Register	Description	Replication
ANA_CL::ADV_RNG_CTRL	Configures range checker types	Per range checker
ANA_CL::ADV_RNG_VALUE_CFG	Configures range start and end points	Per range checker

Eight global VCAP CLM range checkers are supported by the NORMAL, NORMAL_7TUPLE, NORMAL_5TUPLE_IP4, and PURE_5TUPLE_IP4 keys. All frames using these keys are compared against the range checkers and a 1-bit range "match/no match" flag is returned for each range checker. The combined eight match/no match flags are used in the L4_RNG key field. So, it is possible to include for example ranges of DSCP values and/or ranges of TCP source port numbers in the VCAP rules.

Note: VCAP IS2 also supports range checkers, however, they are independent of the VCAP CLM range checkers.

The range key is generated for each frame based on extracted frame data and the configuration in ANA_CL::ADV_RNG_CTRL. Each of the eight range checkers can be configured to one of the following range types:

- TCP/UDP destination port range
Input to the range is the frame's TCP/UDP destination port number.
Range is only applicable to TCP/UDP frames.
- TCP/UDP source port range
Input to the range is the frame's TCP/UDP source port number.
Range is only applicable to TCP/UDP frames.
- TCP/UDP source and destination ports range. Range is matched if either source or destination port is within range.
Input to the range are the frame's TCP/UDP source and destination port numbers.
Range is only applicable to TCP/UDP frames.
- VID range
Input to the range is the classified VID.
Range is applicable to all frames.
- DSCP range
Input to the range is the classified DSCP value.
Range is applicable to IPv4 and IPv6 frames.
- EtherType range
Input to the range is the frame's EtherType.
Range is applicable to all frames.

Range start points and range end points are configured in ANA_CL::ADV_RNG_VALUE_CFG with both the start point and the end point being included in the range. A range matches if the input value to the range (for instance the frame's TCP/UDP destination port) is within the range defined by the start point and the end point.

3.14.2.6 Cascading VCAP CLM Lookups

Each of the six VCAP CLM lookups can be “cascaded” such that a frame only matches a VCAP CLM entry in lookup $n+1$ if it also matched a specific entry in VCAP CLM lookup n . In other words, VCAP CLM entries in different VCAP CLM lookups are bound together.

The following parameters control cascading of VCAP CLM entries:

- Key field: G_IDX
The generic index, G_IDX, is available in most VCAP CLM key types. The value of this field can be specified in the action of the preceding VCAP CLM lookup.
- Action fields: NXT_IDX_CTRL and NXT_IDX
Controls how to calculate G_IDX for next VCAP CLM lookup.

For information about detailed encoding of NXT_IDX_CTRL, see [Table 72](#), page 94.

In addition to cascading VCAP CLM lookups, it is also possible for each VCAP CLM lookup to move to the next protocol layer of the frame, such that key values for lookup $n + 1$ are retrieved from a different offset in the frame than for lookup n . For information about the algorithm, see [Frame Pointer and Frame Type Update](#), page 115.

3.14.3 QoS Mapping Table

The following table lists the registers associated with the QoS mapping table.

Table 84 • VCAP CLM QoS Mapping Table Registers Overview

Register	Description	Replication
ANA_CL:MAP_TBL:SET_CTRL	Controls which mapping results to use.	512
ANA_CL:MAP_TBL:MAP_ENTRY	Configuration of the QoS mapping values.	4,096

The classifier contains a shared QoS mapping table with 4,096 entries (ANA_CL:MAP_TBL:MAP_ENTRY) that maps incoming QoS information to classified internal QoS information. Inputs to a mapping can be either DEI and PCP from VLAN tags, DSCP value, or MPLS TC bits. Outputs from a mapping are new classified values for COSID, DEI, PCP, DSCP, QoS class, DP level, and TC bits. The table is looked up twice for each frame with two different keys.

The QoS mapping table is laid out with 512 rows with each eight mapping entries. Each specific QoS mapping only uses a subset of the 4,096 entries and it therefore allows for many QoS different mappings at the same time. It can for instance hold 64 unique mappings from DSCP to DEI/PCP or 256 unique translations of DEI/PCP to DEI/PCP.

The two lookups per frame in the QoS mapping table are defined by the VCAP CLM actions MAP_IDX and MAP_KEY. One VCAP CLM match can only define one set MAP_IDX and MAP_KEY so two lookups in the QoS mapping table requires two VCAP CLM matches. Action MAP_IDX defines which one of the 512 rows the QoS mapping starts at and the MAP_KEY defines which parameter from the frame to use as key into the QoS mapping table. The following lists the available keys and how the resulting row and entry number in the mapping table is derived:

- **PCP.** Use PCP from the frame's outer VLAN tag. If the frame is untagged, the port's VLAN tag is used. Row and entry number is derived the following way:

Row = MAP_IDX,
Entry = PCP.

Number of entries per mapping: 8 entries.

- **DEI and PCP.** Use DEI and PCP from one of the frame's VLAN tags. The MAP_KEY can select between using either outer, middle, or inner tag. If the frame is untagged, the port's VLAN tag is used. Row and entry number is derived the following way:

Row = (8x DEI + PCP) DIV 8 + MAP_IDX,
Entry = (8x DEI + PCP) MOD 8.

Number of entries per mapping: 16 entries.

- **DSCP (IP frames only).** Use the frame's DSCP value. For non-IP frames, no mapping is done. Row and entry number is derived the following way:

Row = DSCP DIV 8 + MAP_IDX,
Entry = DSCP MOD 8.

Number of entries per mapping: 64 entries.

- **DSCP (all frames).** Use the frame's DSCP value. For non-IP VLAN tagged frames, use DEI and PCP from the frame's outer VLAN tag. For non-IP untagged frames, use DEI and PCP from port VLAN. Row and entry number is derived the following way:

IP frames:
Row = DSCP DIV 8 + MAP_IDX,
Entry = DSCP MOD 8.

Non-IP frames:
Row = (8x DEI + PCP) DIV 8 + MAP_IDX + 8,
Entry = (8x DEI + PCP) MOD 8.

Number of entries per mapping: 80 entries.

- **TC.** Use the frame's classified TC bits from the extracted MPLS label (label selected by VCAP CLM actions TC_ENA or TC_LABEL). Row and entry number is derived the following way:

Row = MAP_IDX,
Entry = TC.

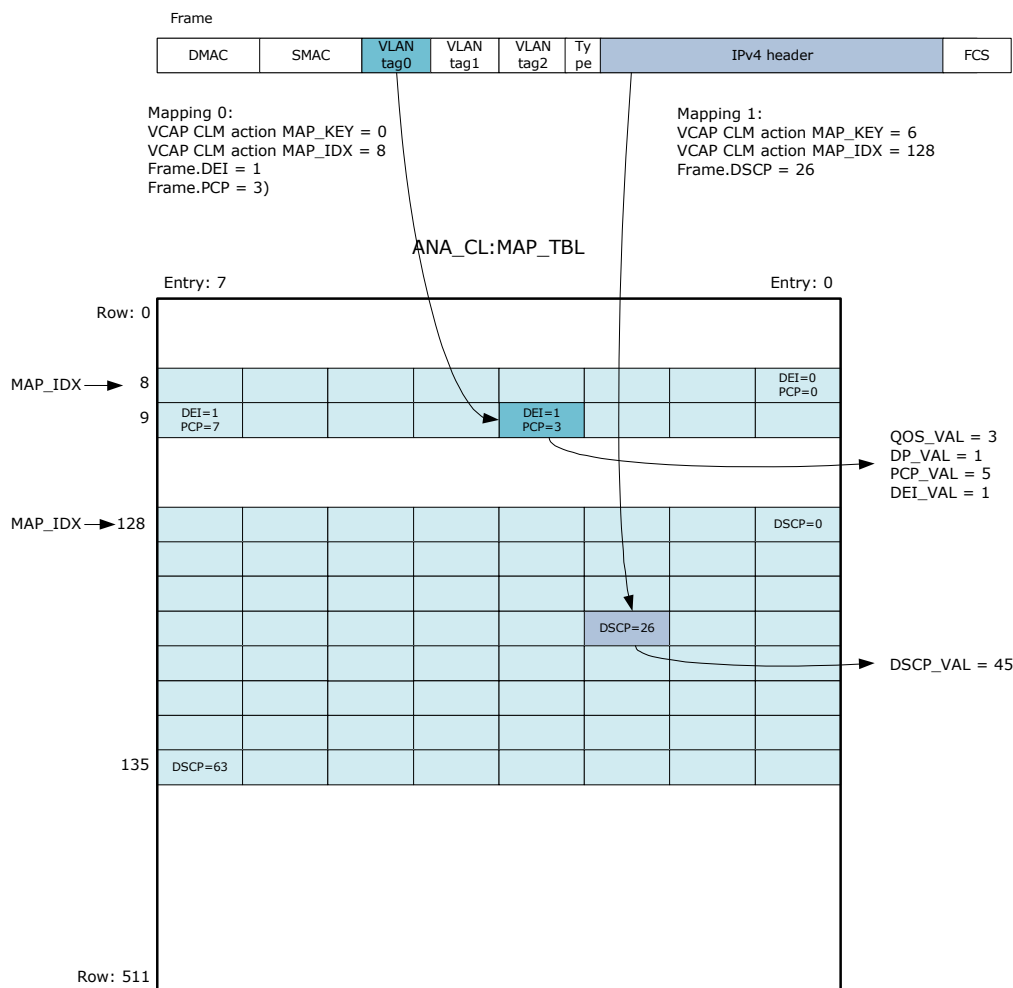
Number of entries per mapping: 8 entries.

QoS mappings can be shared between multiple VCAP CLM entries by defining the same mapping and using the same entries in the mapping table. It is up to the user of the QoS mapping table to make sure that entries are allocated so that they do not overlap unintentionally.

Each entry in the QoS mapping table (ANA_CL:MAP_TBL:MAP_ENTRY) contains a full set of new QoS values (COSID, DEI, PCP, QoS class, DP level, DSCP, TC) to be used as new classified values instead of the current classified values from basic classification and VCAP CLM. Each of the QoS values is gated by an enable bit (ANA_CL:MAP_TBL:SET_CTRL) so that a mapping can for example define a complete new set of QoS values by enabling all values or it can override selected values only. Note that ANA_CL:MAP_TBL:SET_CTRL must be configured for each used row in the mapping table.

The following illustration shows an example of a frame for which a DSCP and a DEI/PCP mapping are defined.

Figure 19 • Example of QoS Mappings



3.14.4 Analyzer Classifier Diagnostics

The analyzer classifier contains a large set of sticky bits that can inform about the frame processing and decisions made by ANA_CL. The following categories of sticky bits are available.

- Frame acceptance filtering (ANA_CL::FILTER_STICKY, ANA_CL::VLAN_FILTER_STICKY).
- VLAN and QoS classification (ANA_CL::CLASS_STICKY)
- CPU forwarding (ANA_CL::CAT_STICKY)
- VCAP CLM lookups and actions, QoS mapping tables (ANA_CL::ADV_CL_STICKY)
- IP header checks (ANA_CL::IP_HDR_CHK_STICKY)

The sticky bits are common for all ports in the analyzer classifier. All sticky bits, except for VCAP CLM sticky bits, have four corresponding sticky mask bits (ANA_CL:STICKY_MASK) that allow any sticky bit to be counted by one of the four per-port analyzer access control counters. For more information, see [Analyzer Statistics](#), page 197.

3.15 VLAN and MSTP

The VLAN table and the MSTP table are the two main tables that control VLAN and Spanning Tree frame processing.

The following table shows the configuration parameters (located within the ANA_L3 configuration target) for each entry in the VLAN table.

Table 85 • VLAN Table (5120 Entries)

Field in ANA_L3:VLAN	Bits	Description
VMID	7	VMID, identifying VLAN's router leg.
VLAN_MSTP_PTR	7	Pointer to STP instance associated with VLAN.
VLAN_FID	13	FID to use for learning and forwarding.
VLAN_SEC_FWD_ENA	1	Enables secure forwarding on a per VLAN basis. When secure forwarding is enabled, only frames with known SMAC are forwarded.
VLAN_FLOOD_DIS	1	Disables flooding of frames with unknown DMAC on a per VLAN basis.
VLAN_LRN_DIS	1	Disables learning of SMAC of frames received on this VLAN.
VLAN_RLEG_ENA	1	Enables router leg in VLAN.
VLAN_PRIVATE_ENA	1	Enables/disables this VLAN as a Private VLAN (PVLAN).
VLAN_MIRROR_ENA	1	VLAN mirror enable flag. If this field is set, frames classified to this ingress VLAN are mirrored. Note that a mirroring probe must also be configured to enable VLAN based mirroring. see Mirroring , page 205.
VLAN_PORT_MASK VLAN_PORT_MASK1	53	Specifies mask of ports belonging to VLAN.
TUPE_CTRL	16	Controls value for Table Update Engine (TUPE).

The following table shows the configuration parameters for each entry in the MSTP table.

Table 86 • MSTP Table (66 Entries)

Field in ANA_L3:MSTP	Bits	Description
MSTP_FWD_MASK	1 per port	Enables/disables forwarding per port
MSTP_LRN_MASK	1 per port	Enables/disables learning per port

The following table lists common parameters that also affect the VLAN and MSTP processing of frames.

Table 87 • Common VLAN and MSTP Parameters

Register/Field in ANA_L3_COMMON	Bits	Description
VLAN_CTRL.VLAN_ENA	1	Enables/disables VLAN lookup
PORT_FWD_CTRL	1 per port	Configures forwarding state per port
PORT_LRN_CTRL	1 per port	Configures learning state per port
VLAN_FILTER_CTRL	1 per port	Configures VLAN ingress filtering per port
VLAN_ISOLATED_CFG	1 per port	Configures isolated port mask

Table 87 • Common VLAN and MSTP Parameters (continued)

Register/Field in ANA_L3_COMMON	Bits	Description
VLAN_COMMUNITY_CFG	1 per port	Configures community port mask

If VLAN support is enabled (in VLAN_CTRL.VLAN_ENA), the classified VID is used to look up the VLAN information in the VLAN table. The VLAN table in turn provides an address (VLAN_MSTP_PTR) into the MSTP table. Learn, mirror, and forwarding results are calculated by combining information from the VLAN and MSTP tables.

3.15.1 Private VLAN

In a Private VLAN (PVLAN), ports are configured to be one of three different types: Promiscuous, isolated, or community.

Promiscuous Ports A promiscuous port can communicate with all ports in the PVLAN, including the isolated and community ports.

Isolated Ports An isolated port has complete Layer 2 separation from the other ports within the same PVLAN, but not from the promiscuous ports. PVLANS block all traffic to isolated ports except traffic from promiscuous ports. Traffic from isolated port is forwarded only to promiscuous ports.

Community Ports Community ports communicate among themselves and with the PVLAN's promiscuous ports. Community ports cannot communicate with isolated ports.

PVLAN can be enabled per VLAN, and port type can be configured per physical port.

3.15.2 VLAN Pseudo Code

The pseudo code for the ingress VLAN processing is shown below. For routed frames, an egress VLAN processing also takes place. This is not part of the following pseudo code.

In the pseudo code, "csr." is used to denote configuration parameters, "req." is used to denote input from previous processing steps in the Analyzer, as well as information provided for the following steps in the Analyzer.

```

if (req.cpu_inject != 0) {
    // cpu_inject => Bypass!
    return;
}

if (csr.vlan_ena) {
    // Get VLAN entry based on Classified VID
    igr_vlan_entry = csr.vlan_tbl[req.ivid + req.vsi_ena*4096];
} else {
    // Default VLAN entry
    igr_vlan_entry.vlan_mstp_ptr = 0;
    igr_vlan_entry.vlan_fid = 0;
    igr_vlan_entry.vlan_sec_fwd_ena = 0;
    igr_vlan_entry.vlan_flood_dis = 0;
    igr_vlan_entry.vlan_lrn_dis = 0;
    igr_vlan_entry.vlan_rleg_ena = 0;
    igr_vlan_entry.vlan_private_ena = 0;
    igr_vlan_entry.vlan_mirror_ena = 0;
    igr_vlan_entry.vlan_port_mask = -1; // All-ones
    igr_vlan_entry.vmid = 0;
}

// Retrieve MSTP state
if (csr.vlan_ena) {
    igr_mstp_entry = csr.mstp_tbl[igr_vlan_entry.vlan_mstp_ptr];
} else {

```

```

    igr_mstp_entry.mstp_fwd_mask = -1; // All-ones
    igr_mstp_entry.mstp_lrn_mask = -1; // All-ones
}

if (IsCpuPort(req.port_num) ||
    IsVD0(req.port_num) ||
    IsVD1(req.port_num)) {
    // Received from CPU or VD0/VD1 =>
    // * Do not learn
    // * Do not perform ingress filtering
    // (these ports are not in ingress masks)
    req.l2_lrn = 0;
} else {
    // -----
    // Perform ingress filtering and learning disable
    // -----

    // Port forwarding state
    if (csr.common.port_fwd_ena[req.port_num] == 0) {
        // Ingress port not enabled for forwarding
        req.l2_fwd = 0;
        csr.port_fwd_deny_sticky = 1;
    }

    // Port learning state
    if (csr.port_lrn_ena[req.port_num] == 0) {
        req.l2_lrn = 0;
        csr.port_lrn_deny_sticky = 1;
    }

    if (csr.vlan_ena) {
        // Empty VLAN?
        if (igr_vlan_entry.vlan_port_mask == 0) {
            csr.vlan_lookup_invld_sticky = 1;
        }

        // VLAN ingress filtering
        if (csr.vlan_igr_filter_ena[req.port_num] &&
            igr_vlan_entry.vlan_port_mask[req.port_num] == 0) {
            req.l2_fwd = 0;
            req.l2_lrn = 0;
            csr.vlan_igr_filter_sticky = 1;
        } else {
            // MSTP forwarding state
            if (igr_mstp_entry.mstp_fwd_mask[req.port_num] == 0) {
                req.l2_fwd = 0;
                csr.mstp_discard_sticky = 1;
            } else {
                csr.mstp_fwd_allowed_sticky = 1;
            }

            // Learning enabled for VLAN?
            if (igr_vlan_entry.vlan_lrn_dis) {
                req.l2_lrn = 0;
                csr.vlan_lrn_deny_sticky = 1;

                // MSTP learning state
            } else if (igr_mstp_entry.mstp_lrn_mask[req.port_num] == 0) {
                req.l2_lrn = 0;
            }
        }
    }
}

```

```

    csr.mstp_lrn_deny_sticky = 1;
  } else {
    csr.mstp_lrn_allowed_sticky = 1;
  }

  // Private VLAN handling
  if (igr_vlan_entry.vlan_private_ena) {
    if (req.vs2_avail == 0) {
      // Not received from stack port, so determine port type and
      // update req accordingly.

      // 0b00: Promiscuous port
      // 0b01: Community port
      // 0b10: Isolated port
      req.ingr_port_type = 0b00;
      if (csr.vlan_community_mask[req.port_num]) {
        req.ingr_port_type = 0b01;
      }
      if (csr.vlan_isolated_mask[req.port_num]) {
        req.ingr_port_type = 0b10;
      }
    }

    if (req.ingr_port_type == 0b10) {
      // Isolated port
      // Only allow communication with promiscuous ports
      igr_vlan_entry.vlan_port_mask &=
        (~csr.vlan_isolated_mask & ~csr.vlan_community_mask);
    } else if (req.ingr_port_type == 0b01) {
      // Community port
      // Allow communication with promiscuous ports and other community
ports,
      // but not with isolated ports
      igr_vlan_entry.vlan_port_mask &= ~csr.vlan_isolated_mask;
    }
  }
} // vlan_igr_filter_ena
} // csr.vlan_ena
}

// Only allow forwarding to enabled ports
igr_vlan_entry.vlan_port_mask &= csr.port_fwd_ena;

// Update req with results
req.vlan_mask = igr_vlan_entry.vlan_port_mask & igr_mstp_entry.mstp_fwd_mask;

req.ifid          = igr_vlan_entry.vlan_fid;
req.vlan_mirror   = igr_vlan_entry.vlan_mirror_ena;
req.vlan_flood_dis = igr_vlan_entry.vlan_flood_dis;
req.vlan_sec_fwd_ena = igr_vlan_entry.vlan_sec_fwd_ena;

// Identical ingress and egress FID/VID.
// May be overruled later by egress VLAN handling.
// Note: ANA_L2 DMAC lookup always use req.efid, even when req.l3_fwd=0.
req.evid = req.ivid;
if (req.dmac[40]) {
  // If MC, DA lookup must use EVID
  req.efid = req.vsi_ena . req.evid;
}

```



```

} else {
  // If UC, DA lookup must use IFID
  req.efid = req.ifid;
}

// Store vmid for later use (e.g. in rleg detection)
req.irleg = igr_vlan_entry.vmid;
req.erleg = req.irleg;

```

3.15.2.1 VLAN Table Update Engine

The VLAN Table Update Engine (TUPE) can be used to quickly update a large number of port masks in the VLAN Table. For example, to support fast fail-over in scenarios with redundant forwarding paths. The following table lists the TUPE related parameters that are outside the VLAN Table.

Table 88 • VLAN Table Update Engine (TUPE) Parameters

Register/Field in ANA_L3:TUPE	Bits	Description
TUPE_MISC.TUPE_START	1	Start TUPE.
TUPE_MISC.TUPE_CTRL_VAL_ENA	1	Enable use of TUPE_CTRL_VAL and TUPE_CTRL_VAL_MASK.
TUPE_CTRL_BIT_ENA	1	Enable use of TUPE_CTRL_BIT_MASK.
TUPE_PORT_MASK_A_ENA	1	Enable use of TUPE_PORT_MASK_A.
TUPE_PORT_MASK_B_ENA	1	Enable use of TUPE_PORT_MASK_B.
TUPE_COMB_MASK_ENA	1	Enable combined use of TUPE_CTRL_BIT_MASK and TUPE_PORT_MASK_A.
TUPE_ADDR.TUPE_START_ADDR	13	First address in VLAN table for TUPE to process.
TUPE_ADDR.TUPE_END_ADDR	13	Last address in VLAN table for TUPE to process.
TUPE_CMD_PORT_MASK_CLR TUPE_CMD_PORT_MASK_CLR1	53	TUPE command: Port mask bits to clear.
TUPE_CMD_PORT_MASK_SET TUPE_CMD_PORT_MASK_SET1	53	TUPE command: Port mask bits to set.
TUPE_CTRL_VAL	16	TUPE parameter controlling which VLAN table entries to update.
TUPE_CTRL_VAL_MASK	16	TUPE parameter controlling which VLAN table entries to update.
TUPE_CTRL_BIT_MASK	16	TUPE parameter controlling which VLAN table entries to update.
TUPE_PORT_MASK_A TUPE_PORT_MASK_A1	53	TUPE parameter controlling which VLAN table entries to update.
TUPE_PORT_MASK_B TUPE_PORT_MASK_B1	53	TUPE parameter controlling which VLAN table entries to update.

The TUPE_CTRL field in the VLAN table can be used to classify VLANs into different groups, and the VLAN_PORT_MASK for such groups of VLANs are quickly updated using TUPE. Using the parameters listed, the TUPE_CTRL field in the VLAN table can be processed as a field of individual bits, a field with one value, or a combination of the two.

For example, if a command for TUPE uses the following, the TUPE_CTRL field is treated as an 8-bit value field and eight individual bits.

- TUPE_CTRL_BIT_ENA = 1
- TUPE_CTRL_BIT_MASK = 0x00ff
- TUPE_CTRL_VAL_MASK = 0xff00

In order for TUPE to update a VLAN entry's VLAN_PORT_MASK, the value part of TUPE_CTRL must match the required value, and one or more bits of the bit part of TUPE_CTRL must be set.

If all bits in TUPE_CTRL are used as a value field, then a total of 2^{16} groups can be created, but each VLAN can only be member of one such group.

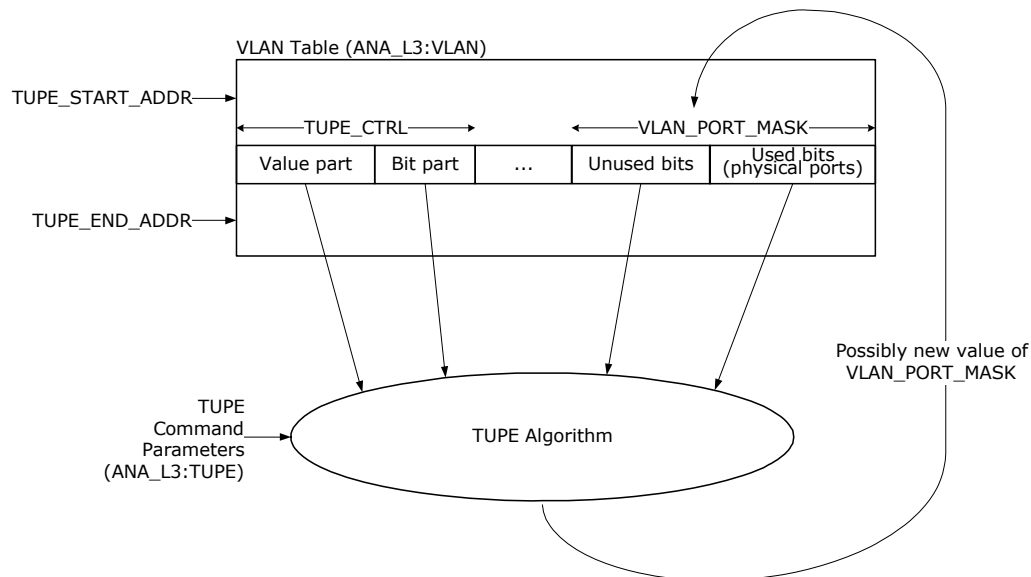
On the other end of the spectrum, if all bits in TUPE_CTRL are treated as individual bits, then only 16 groups can be created, but every VLAN can be member of any number of these groups.

In configurations that have fewer physical ports than the number of bits in the VLAN_PORT_MASK, such bits can be used as an extension to the bit part of the TUPE_CTRL field.

Apart from the VLAN's TUPE_CTRL, the value of the VLAN's VLAN_PORT_MASK is also used to decide whether to update a given VLAN table entry.

The following illustration depicts the TUPE functionality.

Figure 20 • VLAN Table Update Engine (TUPE)



The following pseudo code shows the full algorithm used by TUPE.

```

for (addr = csr.tupe_start_addr; addr < csr.tupe_end_addr; addr++) {
  vlan_entry = vlan_tbl[addr];
  if (
    (// If enabled, check matching value
     !csr.tupe_ctrl_val_ena
     ||
     ((vlan_entry.tupe_ctrl & csr.tupe_ctrl_val_mask) == csr.tupe_ctrl_val))
    &&
    (// If enabled, check if VLAN's tupe_ctrl has any bits overlapping
     // with csr.tupe_CTRL_BIT_MASK
     !csr.tupe_ctrl_bit_ena
     ||
     ((vlan_entry.tupe_ctrl & csr.tupe_ctrl_bit_mask) != 0))
    &&
    (// If enabled, check if VLAN's vlan_port_mask has any bits overlapping
     // with csr.tupe_PORT_MASK_A
     !csr.tupe_port_mask_a_ena
     ||
     ((vlan_entry.vlan_port_mask & csr.tupe_port_mask_a) != 0))
    &&
    (// Combined mode
     // If enabled, check if VLAN's tupe_ctrl has any bits overlapping
     // with TUPE_CTRL_BIT_MASK or VLAN's vlan_port_mask has any bits
     // overlapping with TUPE_PORT_MASK_A
  )
  )
  // Update logic
}

```

```

// I.e. the bit mask part of TUPE_CTRL is extended with bits from
// vlan_port_maks.
!csr.tupe_comb_mask_ena
||
((vlan_entry.tupe_ctrl & csr.tupe_ctrl_bit_mask) != 0)
||
((vlan_entry.vlan_port_mask & csr.tupe_port_mask_a) != 0)
&&
(// If enabled, check if VLAN's vlan_port_mask has any bits overlapping
// with csr.tupe_PORT_MASK_B
!csr.tupe_port_mask_b_ena
||
((vlan_entry.vlan_port_mask & csr.tupe_port_mask_b) != 0))
) {
// vlan_port_mask must be updated for this addr
for (p = 0; p < port_count; p++) {
  if (csr.tupe_cmd_port_mask_clr[p] == 1 &&
      csr.tupe_cmd_port_mask_set[p] == 1) {
    // clr+set => toggle
    vlan_entry.vlan_port_mask[p] = !vlan_entry.vlan_port_mask[p];
  } else if (csr.tupe_cmd_port_mask_clr[p] == 1) {
    vlan_entry.vlan_port_mask[p] = 0;
  } else if (csr.tupe_cmd_port_mask_set[p] == 1) {
    vlan_entry.vlan_port_mask[p] = 1;
  }
}
// Write back to VLAN table
vlan_tbl[addr] = vlan_entry;
}

```

3.16 VCAP LPM: Keys and Action

The IP addresses used for IP source/destination guard and for IP routing are stored in a VCAP in the VCAP_SUPER block. The part of the VCAP_SUPER block allocated for this purpose is VCAP LPM (Longest Path Match).

VCAP LPM encodes both the IP addresses (VCAP keys) and the action information associated with each VCAP key.

The following table shows the different key types supported by the VCAP LPM.

Table 89 • VCAP LPM Key and Sizes

Key Name	Key Size	Number of VCAP Words
SGL_IP4	33	1
DBL_IP4	64	2
SGL_IP6	129	4
DBL_IP6	256	8

The following table provides an overview of the VCAP LPM key. When programming an entry in VCAP LPM, the associated key fields listed must be programmed in the listed order with the first field in the table starting at bit 0 of the entry. For more information, see, [Versatile Content-Aware Processor \(VCAP™\)](#), page 56.

Table 90 • VCAP LPM Key Overview

Field Name	Short Description	Size	SGL_IP4	DBL_IP4	SGL_IP6	DBL_IP6
DST_FLAG	0=SIP, 1=DIP	1	x		x	

Table 90 • VCAP LPM Key Overview (continued)

Field Name	Short Description	Size	SGL_IP4	DBL_IP4	SGL_IP6	DBL_IP6
IP4_XIP	IPv4 SIP/DIP	32	x			
IP4_SIP	IPv4 SIP	32		x		
IP4_DIP	IPv4 DIP	32		x		
IP6_XIP	IPv6 SIP/DIP	128			x	
IP6_SIP	IPv6 SIP	128				x
IP6_DIP	IPv6 DIP	128				x

3.16.1 VCAP LPM SGL_IP4 Key Details

The SGL_IP4 key is to be used for IPv4 UC routing as well as IPv4 Source/Destination Guard.

Table 91 • VCAP LPM SGL_IP4 Key Details

Field Name	Description	Size
DST_FLAG	0: IP4_XIP is only to be used for SIP matching. 1: IP4_XIP is only to be used for DIP matching.	1
IP4_XIP	IPv4 address	32

3.16.2 VCAP LPM DBL_IP4 Key Details

The DBL_IP4 key is to be used for IPv4 MC routing.

Table 92 • VCAP LPM DBL_IP4 Key Details

Field Name	Description	Size
IP4_SIP	IPv4 source address	32
IP4_DIP	IPv4 destination address	32

3.16.3 VCAP LPM SGL_IP6 Key Details

The SGL_IP6 key is to be used for IPv6 UC routing as well as IPv6 Source/Destination Guard.

Table 93 • VCAP LPM SGL_IP6 Key Details

Field Name	Description	Size
DST_FLAG	0: IP6_XIP is only to be used for SIP matching 1: IP6_XIP is only to be used for DIP matching	1
IP6_XIP	IPv6 address	128

3.16.4 VCAP LPM DBL_IP6 Key Details

The DBL_IP6 key is to be used for IPv6 MC routing.

Table 94 • VCAP LPM DBL_IP6 Key Details

Field Name	Description	Size
IP6_SIP	IPv6 source address	128
IP6_DIP	IPv6 destination address	128

3.16.5 VCAP LPM Actions

VCAP LPM supports three different actions:

- ARP_PTR
- L3MC_PTR
- ARP_ENTRY

The following table lists the actions and the key types for which they are intended to be used.

Table 95 • VCAP LPM Action Selection

Action Name	Size	Description and Appropriate VCAP LPM Key Types
ARP_PTR	18	Provides pointer to ARP entry in ARP Table (ANA_L3:ARP). LPM key types: SGL_IP4, SGL_IP6.
L3MC_PTR	10	Provides pointer to L3MC Table (ANA_L3:L3MC). LPM key types: DBL_IP4, DBL_IP6.
ARP_ENTRY	62	ARP entry. LPM key types: SGL_IP4, SGL_IP6.

The following table provides information about the VCAP LPM actions. When programming an action in VCAP LPM, the associated action fields listed must be programmed in the listed order, with the first field in the table starting at bit 0 of the action.

Table 96 • VCAP LPM Actions

Field Name	Description and Encoding	Size	ARP_PTR	L3MC_PTR	ARP_ENTRY
Action Type	0: ARP_PTR 1: L3MC_PTR 2: ARP_ENTRY 3: Reserved	2	x	x	x
ARP_PTR	Pointer to entry in ARP Table (ANA_L3:ARP)	11	x		
ARP_PTR_REMAP_ENA	If this bit is set, ARP_PTR is used to point to an entry in the ARP pointer remap table (ANA_L3:ARP_PTR_REMAP).	1	x		
ECMP_CNT	Number of equal cost, multiple paths routes to DIP. See IP Multicast Routing , page 141.	4	x		
RGID	Route Group ID. Used for SIP RPF check. See SIP RPF Check , page 144.	3	x		
L3MC_PTR	Pointer to entry in L3MC Table (ANA_L3:L3MC)	10		x	
MAC_MSB	See ANA_L3:ARP:ARP_CFG_0.MAC_MSB.	16			x
MAC_LSB	See ANA_L3:ARP:ARP_CFG_1.MAC_LSB.	32			x
ARP_VMID	See ANA_L3:ARP:ARP_CFG_0.ARP_VMID.	7			x
ZERO_DMAC_CP_U_QU	See ANA_L3:ARP:ARP_CFG_0.ZERO_DMAC_CP_U_QU.	3			
SIP_RPF_ENA	See ANA_L3:ARP:ARP_CFG_0.SIP_RPF_ENA.	1			
SECUR_MATCH_VMID_ENA	See ANA_L3:ARP:ARP_CFG_0.SECUR_MATCH_VMID_ENA.	1			

Table 96 • VCAP LPM Actions (continued)

Field Name	Description and Encoding	Size	ARP_PTR	L3MC_PTR	ARP_ENTRY
SECUR_MATCH_ MAC_ENA	See ANA_L3:ARP:ARP_CFG_0.SECUR_MATCH_ MAC_ENA.	1			
ARP_ENA	See ANA_L3:ARP:ARP_CFG_0.ARP_ENA.	1			

3.17 IP Processing

This section provides information about IP routing and IP security checks. The configuration parameters for IP routing are located within the ANA_L3 configuration target.

Each frame is subject to two lookups in VCAP LPM. One lookup is used for looking up SIP, and the other lookup is used for looking up DIP or DIP + SIP (for IP multicast frames).

3.17.1 IP Source/Destination Guard

For security purposes, the devices can be configured to identify specific combinations of the following information and apply security rules based on that information.

- (SMAC, SIP) or (VMID, SIP)
- (DMAC, DIP) or (VMID, DIP)

The VCAP LPM and ARP table in ANA_L3 are used to perform matching. The result of the matching is available for security rules in ANA_ACL through the following VCAP fields:

- L3_SMAC_SIP_MATCH. Set to 1 if (VMID, SIP) and/or (SMAC, SIP) match was found.
- L3_DMATCH_DIP_MATCH. Set to 1 if (VMID, DIP) and/or (DMAC, DIP) match was found.

IP source/destination guard check can be enabled per port using COMMON:SIP_SECURE_ENA and COMMON:DIP_SECURE_ENA.

When enabled, the frame's DIP and the frame's SIP are each looked up in VCAP LPM. The associated VCAP action provides an index to an ARP Table entry in which the required SMAC/DMAC and/or VMID is configured.

The following pseudo code specifies the behavior of the IP Source Guard checks.

```
// Determine value of req.l3_sip_match (available in ANA_ACL as
L3_SMAC_SIP_MATCH)

if (!req.ip4_avail && !req.ip6_avail) {
    req.l3_sip_match = 1;
    return;
}

if (csr.sip_cmp_ena(req.port_num)) {
    req.l3_sip_match = 0;
} else {
    req.l3_sip_match = 1;
}

if (!LpmHit()) {
    return;
}

if (req.ip4_avail) {
    csr.secur_ip4_lpm_found_sticky = 1;
}
if (req.ip6_avail) {
    csr.secur_ip6_lpm_found_sticky = 1;
}
```

```

sip_arp_entry = csr.arp_tbl[sip_lpm_entry.base_ptr +
                          (ecmp_ac % (sip_lpm_entry.ecmp_cnt+1))];

if ((sip_arp_entry.secur_match_vmid_ena == 0 ||
    igr_vlan_entry.vmid == sip_arp_entry.arp_vmid)
    &&
    (sip_arp_entry.secur_match_mac_ena == 0 ||
    req.smac == sip_arp_entry.mac)) {
    req.l3_sip_match = 1;

    if (req.ip4_avail) {
        csr.secur_ip4_sip_match_sticky = 1;
    } else {
        csr.secur_ip6_sip_match_sticky = 1;
    }
}

```

```

if (req.l3_sip_match == 0) {
    csr.secur_sip_fail_sticky = 1;
}

```

The IP Destination Guard check works in the same way as the SIP check, except for the following:

- DIP check is not performed if frame has a multicast DMAC.
- DIP check is not performed if router leg has been matched.

The following pseudo code specifies the behavior of the IP Destination Guard checks.

```

// Determine value of req.l3_sip_match (available in ANA_ACL as
L3_SMAC_SIP_MATCH)

```

```

if (!req.ip4_avail && !req.ip6_avail) {
    req.l3_sip_match = 1;
    return;
}

if (csr.sip_cmp_ena(req.port_num)) {
    req.l3_sip_match = 0;
} else {
    req.l3_sip_match = 1;
}

if (!LpmHit()) {
    return;
}

if (req.ip4_avail) {
    csr.secur_ip4_lpm_found_sticky = 1;
}
if (req.ip6_avail) {
    csr.secur_ip6_lpm_found_sticky = 1;
}

sip_arp_entry = csr.arp_tbl[sip_lpm_entry.arp_ptr];

if ((sip_arp_entry.secur_match_vmid_ena == 0 ||
    igr_vlan_entry.vmid == sip_arp_entry.arp_vmid)
    &&
    (sip_arp_entry.secur_match_mac_ena == 0 ||
    req.smac == sip_arp_entry.mac)) {

```

```

req.l3_sip_match = 1;

if (req.ip4_avail) {
  csr.secur_ip4_sip_match_sticky = 1;
} else {
  csr.secur_ip6_sip_match_sticky = 1;
}
}

if (req.l3_sip_match == 0) {
  csr.secur_sip_fail_sticky = 1;
}
}

```

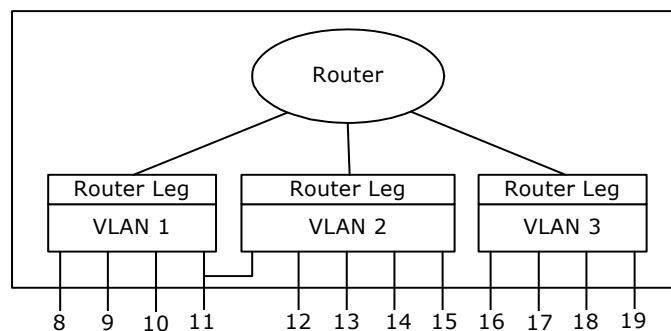
3.17.2 IP Routing

The devices support routing of IPv4 and IPv6 unicast and multicast packets through the 128 router interfaces, also known as “router legs”. Each router leg is attached to a VLAN.

The following illustration shows a configuration with three VLANs, each with an attached router leg for routing IP packets between the VLANs. Port 11 is member of both VLAN 1 and VLAN 2.

When a packet is being routed from one VLAN (the ingress VLAN) to another VLAN (the egress VLAN), the VID of the ingress VLAN is termed the IVID, and the VID of the egress VLAN is termed the EVID.

Figure 21 • Router Model



Within the devices, a router leg is identified by a 7-bit VMID value. When a packet is being routed, it is then received by the router entity using a router leg identified by an ingress VMID (or IVMID) and transmitted on an egress router leg identified by an egress VMID (or EVMID).

IP routing, also known as L3 forwarding, is only supported in VLAN-aware mode.

3.17.3 Frame Types for IP Routing

In order for IP packets to be routed by the devices, the following conditions must be met.

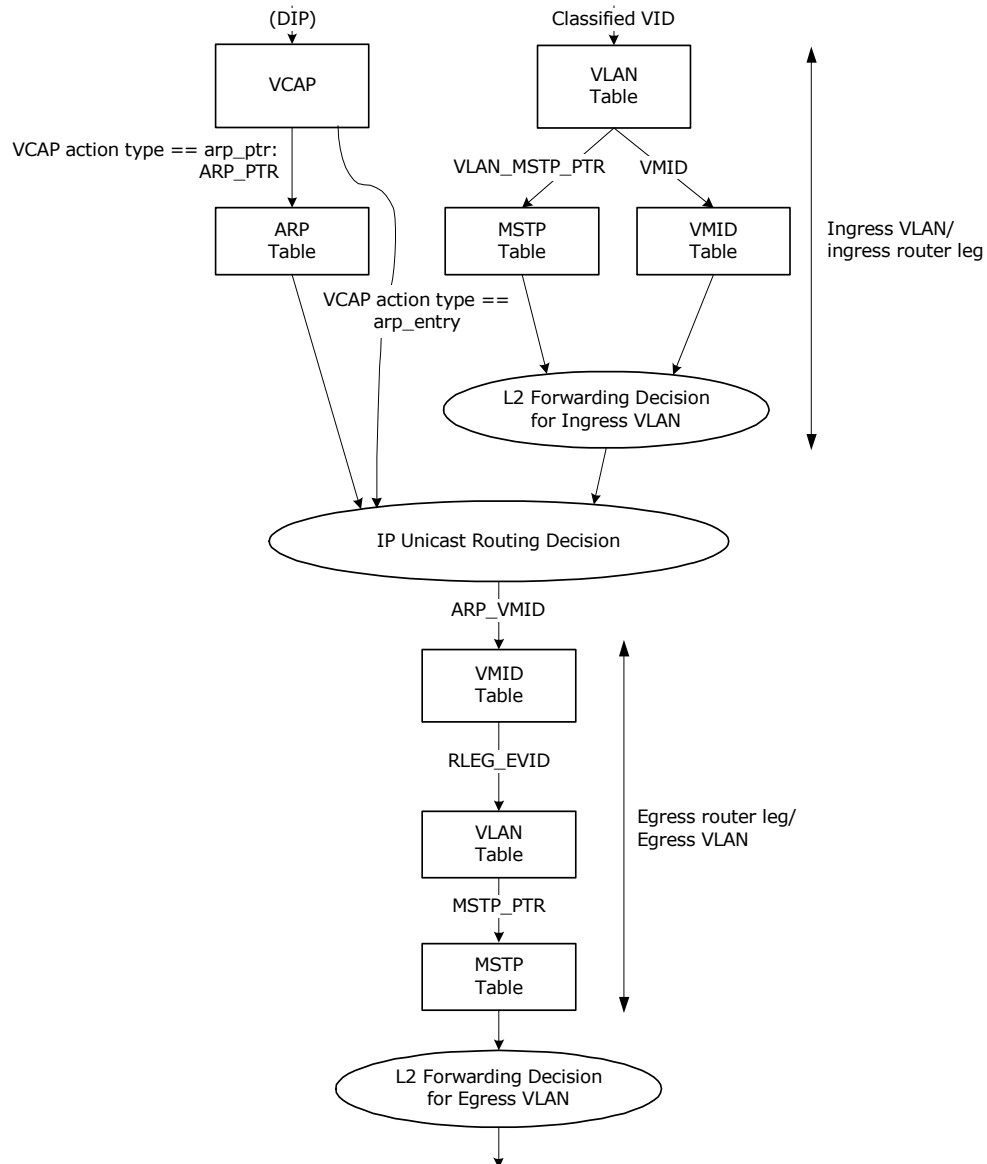
- IPv4 packets must not contain options.
- IPv6 packets must not contain hop-by-hop options.
- Optionally packets with some illegal SIP and DIP addresses can be filtered. For more information, see [Illegal IPv4 Addresses](#), page 137 and [Illegal IPv6 Addresses](#), page 137.
- IPv4 header checksum must be correct.

3.17.3.1 Routing Table Overview

The following illustration provides an overview of the table lookups involved in IP unicast routing within the L3 part of the analyzer.

The VCAP and ARP table lookups are performed in parallel with the VLAN/MSTP/VMID table lookups. If the frame does not match a router leg, the result of VCAP and ARP table lookups are not used for routing.

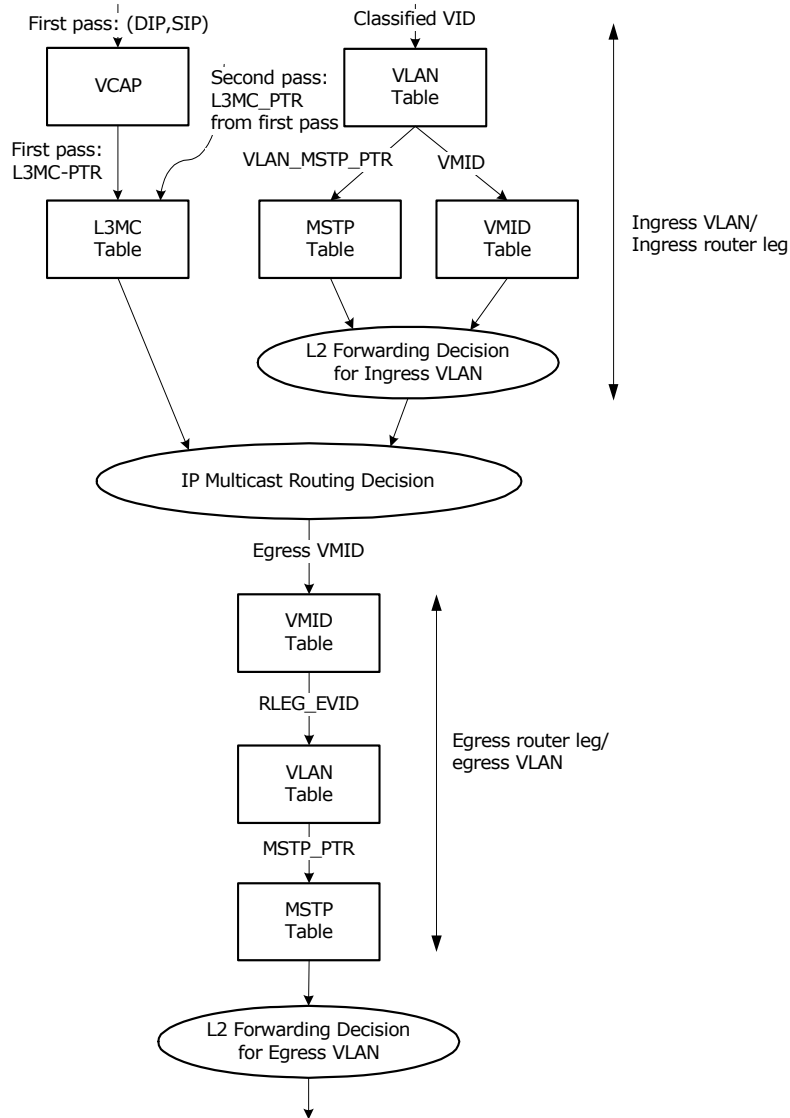
Figure 22 • Unicast Routing Table Overview



The following illustration provides an overview of the table lookups involved in IP multicast routing within the L3 part of the analyzer.

The VCAP and L3MC table lookups are performed in parallel with the VLAN/MSTP/VMID table lookups. If the frame does not match a router leg, the result of VCAP and L3MC table lookups are not used for routing.

Figure 23 • Multicast Routing Table Overview



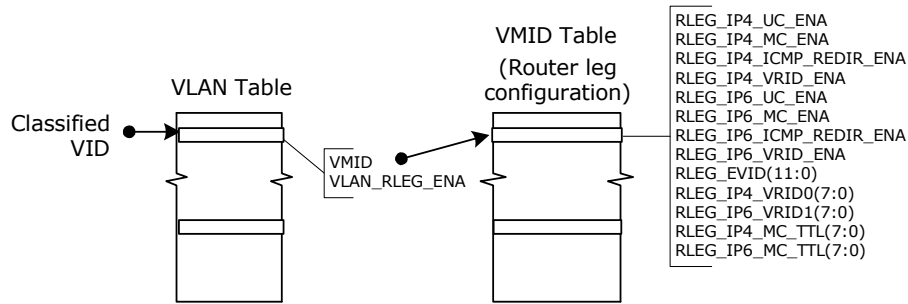
3.17.3.2 Ingress Router Leg Lookup

The VID used to determine the ingress router leg is the classified VID. The classified VID can be deduced based on a variety of parameters, such as VLAN tag or ingress port. For more information, see [VLAN Classification](#), page 107.

A total of 128 router legs are supported. Each router leg can be used for both IPv4 and IPv6 unicast and multicast routing. A maximum of one router leg per VLAN is supported.

When processing incoming frames, the classified VID is used to index the VLAN table. The RLEG_ENA parameter determines if the VLAN is enabled for routing of packets, and if so, the VMID is used to index the VMID table. The flow is depicted in the following illustration.

Figure 24 • Ingress Router Leg Lookup Flow



3.17.3.2.1 Unicast Router Leg Detection

On L2, up to three different MAC addresses are used to identify the router leg:

- The normal router leg MAC address. This MAC address consists of a base address that is configured using COMMON:RLEG_CFG_0.RLEG_MAC_LSB and COMMON:RLEG_CFG_0.RLEG_MAC_MSB.

To have different MAC addresses for each router leg, the three least significant bytes of the base MAC address can optionally be incremented by the Classified VID or the VMID. This is configured using COMMON:RLEG_CFG_1.RLEG_MAC_TYPE_SEL.

- VRRP MAC address for IPv4. This MAC address consists of a base address that is configured using COMMON:VRRP_IP4_CFG_0.VRRP_IP4_BASE_MAC_MID and COMMON:VRRP_IP4_CFG_0.VRRP_IP4_BASE_MAC_HIGH.

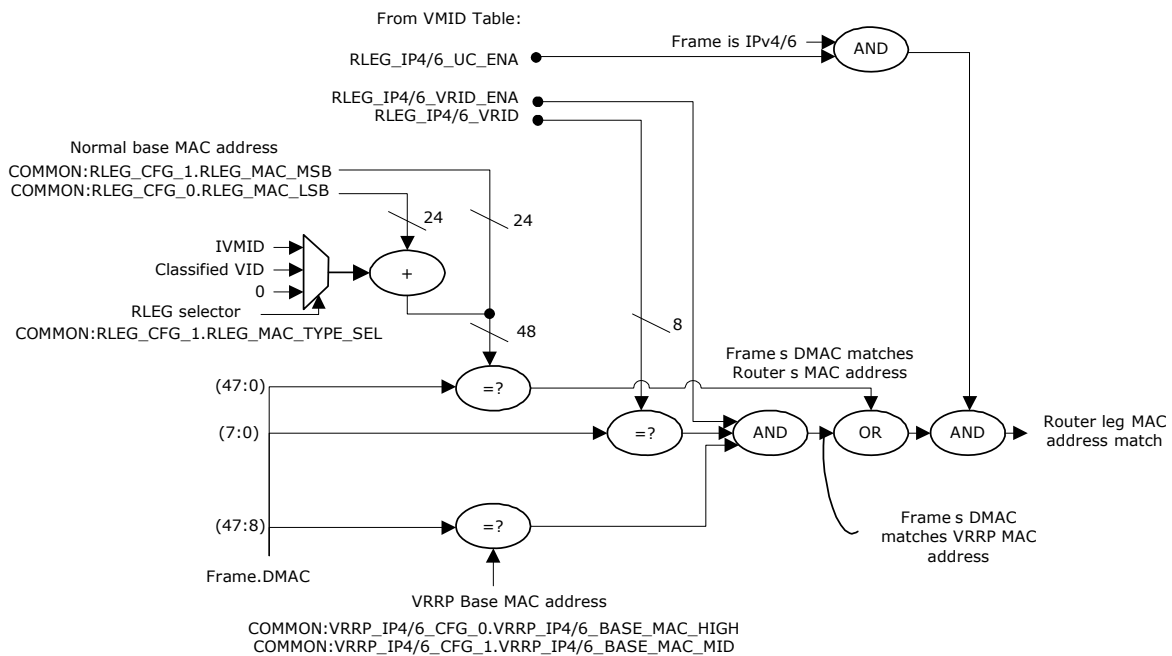
For each router leg, the least significant byte is configured per router leg using VMID:VRRP_CFG.RLEG_IP4_VRID. Up to two VRID values are supported per router leg.

Use of VRRP for IPv4 is enabled using VMID:RLEG_CTRL.RLEG_IP4_VRID_ENA.

- VRRP MAC address for IPv6. This is configured in the same manner as VRRP MAC address for IPv4.

The matching of router leg MAC address for unicast packets is shown in the following illustration.

Figure 25 • Ingress Router Leg MAC Address Matching for Unicast Packets



The packet is a candidate for unicast routing if a frame's DMAC matches one of the router leg MAC addresses. Packets sent to the router itself will also match the router leg MAC address, but these will be caught through entries in the ARP table.

Despite matching a router leg MAC address, routing is not performed for any of the following reasons. If any of following criteria are met, the frame may be redirected to the CPU, depending on configuration parameters.

- It is not an IP packet (for example, an ARP reply).
- There are IP header errors.
- DIP or SIP address is illegal (optional).
- Packet contains IPv4 options/IPv6 hop-by-hop options.
- IPv4 TTL or IPv6 HL is less than two.

3.17.3.2.2 Multicast Router Leg Detection

For each router leg, IP multicast routing can be enabled using VMID:RLEG_CTRL.RLEG_IP4_MC_ENA and VMID:RLEG_CTRL.RLEG_IP6_MC_ENA.

In addition to having multicast routing enabled for the router leg configured for the VLAN, the frame's DMAC must be within a specific range in order for the packet to be candidate for IPv4/6 routing.

- IPv4 DMAC range: 01-00-5E-00-00-00 to 01-00-5E-7F-FF-FF
- IPv6 DMAC range: 33-33-00-00-00-00 to 33-33-FF-7F-FF-FF

Despite having a DMAC address within the required range, routing is not performed for any of the following reasons:

- There are IP header errors.
- DIP or SIP address is illegal (optional).
- Packet contains IPv4 options/IPv6 hop-by-hop options
- IPv4 TTL or IPv6 HL is less than two.

If any of above criteria are met, then the frame may be redirected to CPU, depending on configuration parameters.

The frame is still L2 forwarded if no router leg match is found.

3.17.3.2.3 Illegal IPv4 Addresses

Use the ROUTING_CFG.IP4_SIP_ADDR_VIOLATION_REDIR_ENA parameters to configure each of the following SIP address ranges to be considered illegal.

- 0.0.0.0 to 0.255.255.255 (IP network zero)
- 127.0.0.0 to 127.255.255.255 (IP loopback network)
- 224.0.0.0 to 255.255.255.255 (IP multicast/experimental/broadcast)

Frames with an illegal SIP can be redirected to the CPU using CPU_RLEG_IP_HDR_FAIL_REDIR_ENA.

Use the ROUTING_CFG.IP4_DIP_ADDR_VIOLATION_REDIR_ENA parameters to configure each of the following DIP address ranges to be considered illegal.

- 0.0.0.0 to 0.255.255.255 (IP network zero)
- 127.0.0.0 to 127.255.255.255 (IP loopback network)
- 240.0.0.0 to 255.255.255.254 (IP experimental)

Frames with an illegal DIP can be redirected to the CPU using CPU_RLEG_IP_HDR_FAIL_REDIR_ENA.

3.17.3.2.4 Illegal IPv6 Addresses

Use the ROUTING_CFG.IP6_SIP_ADDR_VIOLATION_REDIR_ENA parameters to configure each of the following SIP address ranges to be considered illegal.

- ::/128 (unspecified address)
- ::1/128 (loopback address)
- ff00::/8 (IPv6 multicast addresses)

Frames with an illegal SIP can be redirected to the CPU using CPU_RLEG_IP_HDR_FAIL_REDIR_ENA.

Use the ROUTING_CFG.IP6_DIP_ADDR_VIOLATION_REDIR_ENA parameters to configure each of the following DIP address ranges to be considered illegal.

- ::/128 (unspecified address)
- ::1/128 (loopback address)

Frames with an illegal DIP can be redirected to the CPU using CPU_RLEG_IP_HDR_FAIL_REDIR_ENA.

3.17.3.3 Unicast Routing

The IPv4/IPv6 unicast forwarding table in the Analyzer is configured with known routes. There are typically two types of routes: Local IP and Remote IP.

- Local IP networks directly accessible through the router. These entries return the DMAC address of the destination host and correspond to an ARP lookup.
- Remote IP networks accessible through a router. These entries return the DMAC address of the next-hop router.

If frames are deemed suitable for IP unicast routing, a DIP lookup is performed in the Longest Prefix Match (LPM) table. The lookup is a Classless Inter-Domain Routing (CIDR) lookup. That is, all network sizes are supported.

For IP addresses in local IP networks without corresponding MAC addresses, LPM entry with a corresponding ARP entry with a zero MAC address should be configured. This results in redirecting the matching frames to the CPU and thus allows the CPU to exchange ARP/NDP messages with the stations on the local IP networks to request their MAC address and afterwards use this information to update the ARP table.

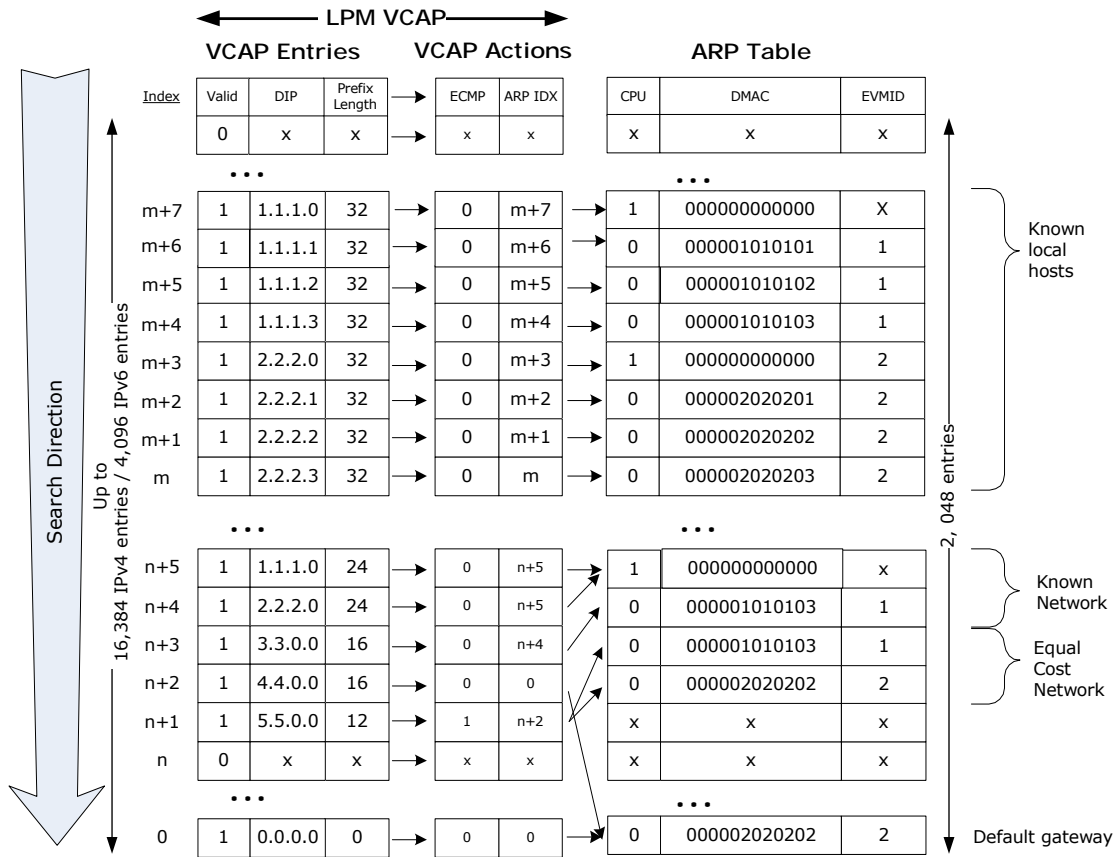
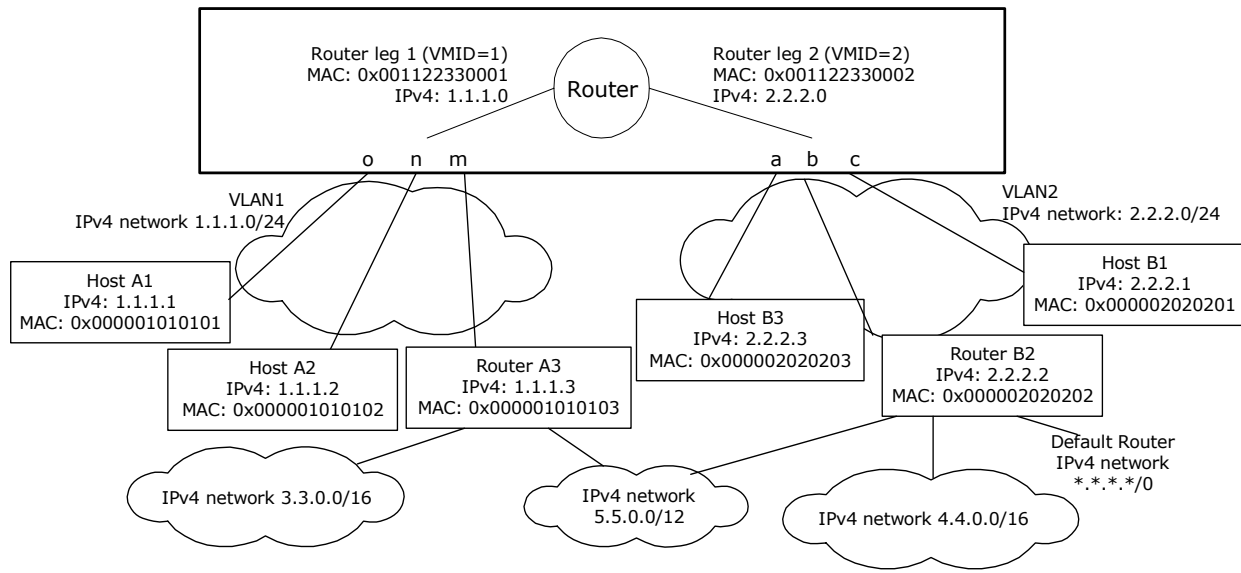
Packets with IVMID = EVMID (packets that are to be routed back to the router leg on which they were received) can optionally be redirected to the CPU such that the CPU can generate an ICMP Redirect message. This is configurable using VMID:RLEG_CTRL.RLEG_IP4_ICMP_REDIR_ENA and VMID:RLEG_CTRL.RLEG_IP6_ICMP_REDIR_ENA.

If such packets are not redirected to the CPU, they are routed.

IVMID and EVMID are configured using VLAN:VMID_CFG.VMID and ARP:ARP_CFG_0.ARP_VMID.

The following illustration shows an IPv4 unicast routing example. IPv6 unicast routing works identically to IPv4 unicast routing, with the exception that each of the IPv6 addresses occupies four times as much space in VCAP LPM.

Figure 26 • IP Unicast Routing Example



Ports o, n, and m are connected to Router A3, Host A1, and Host A2. These stations are included in an IP subnet associated with VLAN 1 and connected to the router by router leg 1. Router leg 1's MAC address is shown.

Ports a, b, and c are connected to Router B2, Host B1, and Host B3. These stations are included in an IP subnet associated with VLAN 2 and connected to the router by router leg 2.

The router leg MAC addresses in the example offsets the base MAC address by the respective router leg's VMID.

Traffic destined within a subnet is L2-forwarded. For example, traffic from Host A1 to Host A2 is L2 forwarded.

Traffic destined outside a subnet is sent to the router using the router leg's MAC address. The router performs the routing decision as follows:

1. **Known local host.** If the destination IP address is known to be a local host (with the full IP address installed in the VCAP LPM table), the router takes the local host DMAC address and egress router leg VMID (EVMID) from the ARP table entry pointed to by the ARP_IDX of the VCAP Action. For example, if traffic sent from Host A1 to B1 is routed using LPM entry $m+2$ (2.2.2.1/32) and ARP entry $m+2$, the local host's DMAC address is found to be 0x000002020201 and egress router leg to be RLEG2 (that is, VMID = 2).
2. **Known longest prefix.** If the full destination IP address is not known, the router finds the longest matching IP prefix and uses it to determine the next hop DMAC address and egress router leg. For example, traffic sent from host A1 to host 4.4.4.2 is routed using LPM entry $n+2$ (the 4.4.0.0 subnet is reached through Router B2) and using ARP entry 0, the next hop's DMAC address is found to be 0x000002020202 and egress router leg to be RLEG2 (for example, VMID = 2).
3. **Known equal cost multiple paths (ECMP).** If the full destination IP address is not known by the router and the longest matching IP prefix is an equal cost path, the next hop DMAC address and egress router leg is derived from one of up to 16 ARP entries. For example, traffic sent from host A1 to host 5.5.5.13 is routed using VCAP LPM entry $n+1$. The corresponding VCAP action has ECMP = 1, so the ARP table entry is chosen to be either $n+2$ or $n+3$, based on a pseudo random number. If entry $n+2$ is chosen, the next hop's DMAC address is found to be 0x000001010103 (Router A3) and egress router leg to be RLEG1. If entry $n+3$ is chosen, the next hop's DMAC address is found to be 0x000002020202 (Router B2) and egress router leg to be RLEG2.
4. **Default gateway.** In order to forward packets destined to unknown subnets to a default router, a default rule can be configured for the VCAP LPM. This is illustrated in the IP Unicast Routing example as a "0.0.0.0" rule. For example, traffic sent from host A1 to host 8.9.4.2 is routed using LPM entry 0 (the default router is reached through Router B2) and ARP entry 0, the next hop's DMAC address is found to be 0x000002020202 and egress Router Leg to be RLEG2.

When routing packets, the router replaces the frame's DMAC with the ARP table's DMAC and replaces the SMAC with MAC address associated with the egress router leg. The classified VID is replaced by the egress VID (VMID:RLEG_CTRL.RLEG_EVID). The TTL/HL is decremented by 1. Note that the VMID tables (ANA_L3:VMID and REW:VMID) and the router leg MAC address must be configured consistently in the analyzer Layer 3 and rewriter.

If host A2 wants to send traffic to a host in subnet 3.3.0.0/16, the host issues an ARP request and gets a response to send traffic to router A3. Host A2 can choose to ignore this request, in which case, the router routes to router A3 in the same VLAN.

Local networks 1.1.1.0/24 and 2.2.2.0/24 are also configured. Hosts and routers located in these networks can be directly L2 accessed. This includes IP addresses 1.1.1.0 and 2.2.2.0, which are the IP addresses of the router in the respective subnets to be used for IP management traffic, for example.

3.17.3.3.1 Encoding ARP Entry in VCAP Action

Instead of using an entry in the ARP table, the ARP information can alternatively be written into the VCAP action of the LPM entry so as to not be limited by the size of the ARP table.

ARP entries written into a VCAP actions have the following limitations compared to ARP entries in the ARP table.

- ECMP cannot be supported. If there are multiple paths to a given subnet, then ARP table entries must be used.
- RGID cannot be configured. If RGIDs of SIP RPF are used, then ARP table entries must be used for such routes.
- Alternative Next Hop configuration cannot be supported. For example, if Alternative Next Hop configuration is required, then ARP table entries must be used.

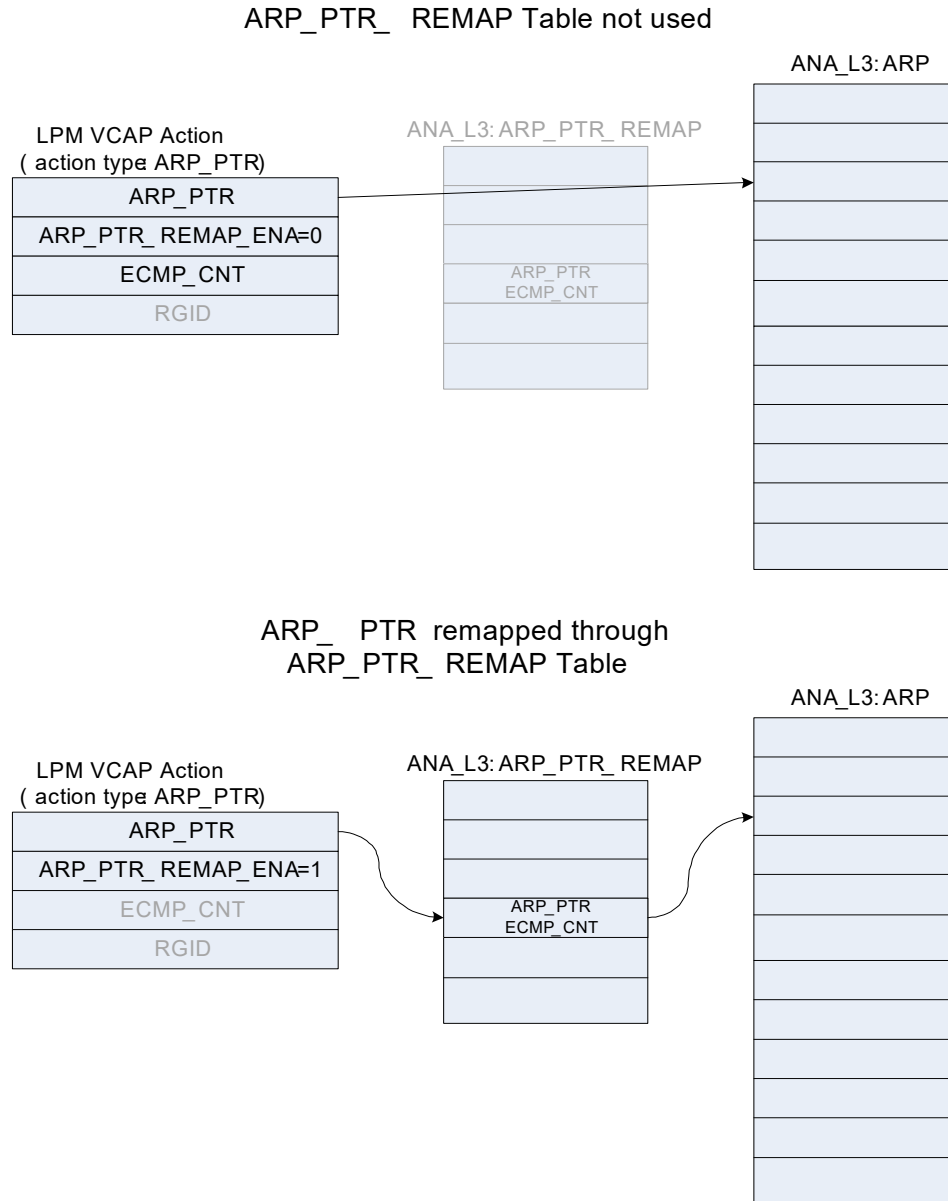
3.17.3.3.2 ARP Pointer Remap

An ARP Pointer Remap table is available to support fast fail-over when the next hop changes for a large group of LPM VCAP entries.

By setting ARP_PTR_REMAP_ENA=1 in LPM VCAP action, the ARP_PTR in the VCAP action is used to address an entry in the ARP_PTR_REMAP table and through this, new ARP_PTR and ECMP_CNT values are looked up and used for lookup in the ARP table. Thus instead of updating ARP_PTR and ECMP_CNT for many LPM VCAP entries, only the corresponding entry in ARP_PTR_REMAP needs to be updated.

The following illustration depicts both where ARP Pointer remapping is not used, as well as where it is used; that is, ARP_PTR_REMAP_ENA = 1.

Figure 27 • ARP Pointer Remapping



3.17.3.4 IP Multicast Routing

The multicast system is split into two stages, stage 1 and stage 2.

In stage 1, the frame is received on a front port and the IP multicast system in ANA_L3 is activated. This stage is used to ensure L2 forwarding to all relevant ports in the ingress VLAN as well as ingress mirroring. If the frame needs to be L3 forwarded to other VLANs, an internal port module called virtual

device 0 (VD0) also receives an L2 copy, together with information about the number of VLANs that receive a routed copy of the frame.

In stage 2, the analyzer processes each frame copy from VD0, and L3 forwards each frame copy to its egress VLAN.

In stage 1, ANA_L3 uses the VCAP LPM to determine the forwarding of the frame. Typically, two types of VCAP LPM multicast entries exist: source-specific and source-independent.

- Source specific IP multicast groups, where the same group IP address can be used by multiple sources. Such groups are denoted (S,G).
- Source independent IP multicast groups, where the group IP address uniquely identifies the IP multicast flow. Such groups are denoted (*,G).

IPv4 multicast groups occupies two entries in the VCAP LPM, and IPv6 multicast groups occupies eight entries. Source-specific multicast groups must be placed with higher precedence than source-independent multicast groups.

A matching entry in the VCAP LPM results in an index (L3MC_IDX) to an entry in the L3MC Table.

Each L3MC table entry contains a list of egress router legs to which frames are routed. Upon removing the ingress router leg from the list, the required number of routed multicast copies is calculated and this number (L3MC_COPY_CNT) is sent to VD0.

Stage 1 L2 forwards the frame. ANA_ACL can be used to limit the L2 forwarding, for example, to support IGMP/MLD snooping.

For each L3MC entry, it can optionally be configured that routing is only performed if the frame was received by a specific ingress router leg. This is termed reverse path forwarding check and is configured using L3MC:L3MC_CTRL.RPF_CHK_ENA and L3MC:L3MC_CTRL.RPF_VMID.

Note that this RPF check is unrelated to the SIP RPF check. For more information about the SIP RPF check, see [SIP RPF Check](#), page 144.

Reverse path forwarding check does not affect the L2 forwarding decision.

In stage 2, VD0 replicates the frame according to L3MC_COPY_CNT, and L3MC_IDX is written into the frame's IFH.

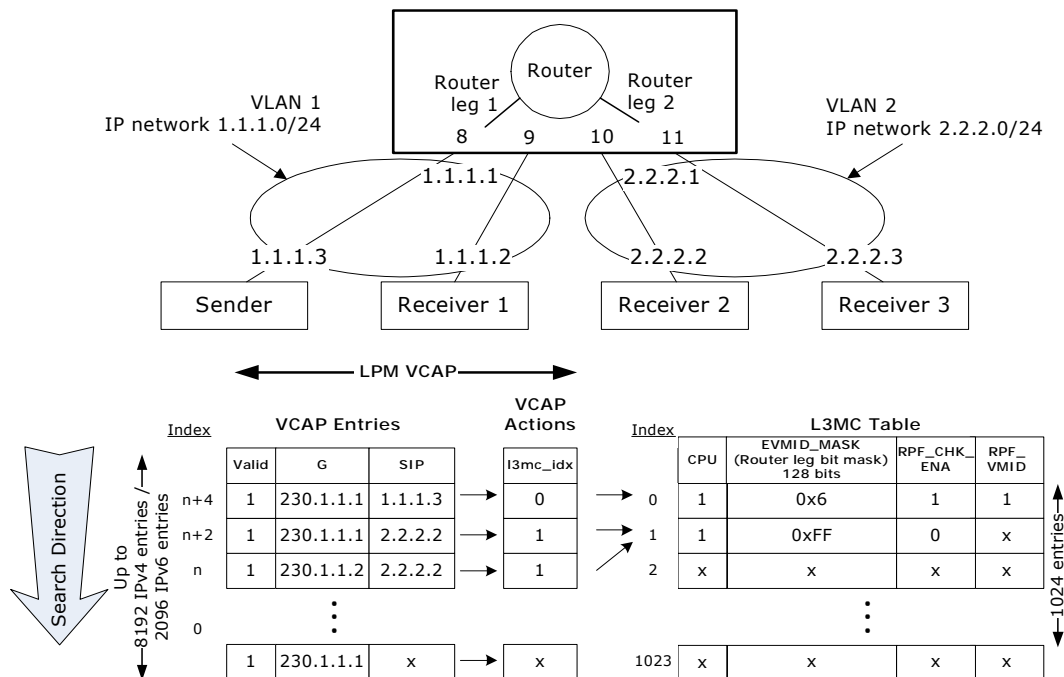
For each copy, which ANA_L3 receives from VD0 during stage 2, L3MC_IDX from IFH is used to lookup the L3MC table entry and thus find the list of egress router legs that require a routed copy. The egress router leg is used to determine the egress VID which in turn is used to perform (VID, DMAC) lookup in the MAC table for L2 forwarding within the egress VLAN.

For each egress router leg, it can be configured that frames are only L3 forwarded to the router leg if the TTL/HL of the packet is above a certain value. This is configured using VMID:VMID_MC.RLEG_IP4_MC_TTL and VMID:VMID_MC.RLEG_IP6_MC_TTL.

In stage 2, both learning and ingress filtering is disabled.

The following illustration shows an IPv4 multicast routing example. IPv6 multicast routing works identically to IPv4 multicast routing, with the exception that the IPv6 entries occupies four times as much space in VCAP LPM.

Figure 28 • IP Multicast Routing Example



A sender host with IPv4 address 1.1.1.3 is transmitting IPv4 multicast frames to the group address 230.1.1.1 and DMAC = 0x01005E010101. The frames must be L2 forwarded to receivers in VLAN 1 and L3 forwarded to receivers in VLAN 2. For the latter, an entry for the (1.1.1.3, 230.1.1.1) pair is added to the VCAP LPM.

3.17.3.4.1 Stage 1

- Lookup of (SIP,G) = (1.1.1.3, 230.1.1.1) in VCAP LPM returns L3MC_IDX = 0 and a corresponding entry in L3MC table. L3MC_IDX = 0 is inserted into the IFH.
- The L3MC entry has RPF check enabled (RPF_ENA = 1). Because the frame has been received through the specified router leg, L3 forwarding is allowed.
- The L3MC entry specifies that frames are forwarded to router leg 1 and 2. Because the frame has been received on router leg 1, only router leg 2 needs a routed copy. In other words, the number of L3 frame copies required is set to 1.
- If the frame's TTL is <2, then the frame is not L3 forwarded.
- Lookup of (DMAC, VID) = (0x01005E010101, 1) in the MAC table returns a destination set with port 8 and 9. Port 8 is source filtered due to normal L2 source port filtering, so the resulting destination set consists only of port 9.
- As a result of the first stage, the frame has been L2 forwarded to port 9 and a copy with L3MC_IDX = 0 and L3 copies required = 1 has been forwarded to the VD0.

3.17.3.4.2 Stage 2

- A frame is received once from VD0 with L3MC_IDX = 0 and L3MC_COPY_CNT = 1.
- Lookup of L3MC_IDX = 0 in the L3MC table returns the same entry as used in stage 1. Because this is the first routed copy, the new EVMID is 2, and through lookup in the VMID table, the corresponding EVID is 2.
- If Frame.IP.TTL < VMID.VMID_MC.RLEG_IP4_MC_TTL, the frame is not L3 forwarded.
- The frame's TTL is decremented.
- Lookup of (DMAC, VID) = (0x01005E010101, 2) in the MAC table returns a destination set with port 10 and 11. Because this is a routed copy, no source port filtering is applied.
- The result is a routed copy to ports 10 and 11 with replaced SMAC and VID from VMID = 2 and TTL decremented.

3.17.3.5 SIP RPF Check

As a security measure, the devices can be configured to only L3 forward frames if the SIP belongs to a known subnet and is received by one (or more) specific router legs, for example, the router leg through which the subnet is reached. This configuration can be used to filter IP address spoofing attempts.

To support SIP RPF check, each route in VCAP LPM is assigned a Route Group ID (RGID); that is, any route in the VCAP LPM belongs to exactly one Route Group. Eight RGID values are supported.

In the VMID table the set of acceptable RGIDs for each router leg is configured using RGID_MASK.

Each router leg can be configured to operate in the following SIP RPF modes.

- Disabled. No SIP RPF check is performed.
- RGID mode. Frames are only L3 forwarded if the SIP's RGID is enabled in the router leg's RGID_MASK. If the ARP information is encoded directly in the VCAP action and SIP RPF mode is set to RGID mode, then an Rleg mode check is performed instead, because an ARP entry encoded in the VCAP Action contains to RGID.
- Rleg mode. Frames are only L3 forwarded if the VMID of the ARP table entry resulting from SIP LPM lookup is identical to the ingress VMID. For example, the router leg, which the frame was received on, is also the router leg used for forwarding frames to the SIP.

Rleg mode cannot be used for ECMP LPM entries, because each route is only accepted by one router leg. In Rleg mode, no SIP RPF check is performed if SIP is reachable using an ECMP path.

- Combined mode. This is a combination of RGID mode and Rleg mode. If the SIP LPM lookup results in an LPM entry with ECMP_CNT = 0, an Rleg mode check is performed, otherwise a RGID Mode check is performed.

RFC3704 defines a number of different SIP RPF modes, which can be supported by the devices as follows:

- Strict RPF. Use Rleg mode or Combined mode to also support ECMP.
- Loose RPF. Use RGID mode and configure RGID_MASK to all-ones. For example, any RGID value is acceptable.
- Loose RPF ignoring default routes. Use RGID mode and configure a separate RGID value for the default route. Exclude this value in router leg's RGID_MASK.
- Feasible RPF. Use RGID mode, group LPM entries using RGID and enable only the accepted groups in the router leg's RGID_MASK.

Note that SIP RPF is unrelated to the L3MC RPF check enabled in L3MC:L3MC_CTRL.RPF_CHK_ENA, which validates that a given IP multicast flow (identified by (S,G) or (*,G) was received by the expected router leg.

Frames that are not routed due to SIP RPF check can optionally be redirected to CPU by configuring COMMON:ROUTING_CFG.RLEG_IP4_SIP_RPF_REDIR_ENA and COMMON:ROUTING_CFG.RLEG_IP6_SIP_RPF_REDIR_ENA.

3.17.3.6 CPU Redirection of Filtered Frames

The following table provides an overview of the available CPU queues used when copying/redirection frames to CPU.

Table 97 • CPU Queue Overview

CPU Queue	Description
COMMON:CPU_QU_CFG.CPU_RLEG_QU	Non-IP unicast frames matching an ingress router leg. For example, ARP PDUs. CPU queue for IP frames with L2 broadcast DMAC, received by router leg.
COMMON:CPU_QU_CFG.CPU_RLEG_IP_OPT_QU	IPv4 frames with options and IPv6 frames with hop-by-hop option.
COMMON:CPU_QU_CFG.CPU_RLEG_IP_HDR_FAIL_QU	IPv4 frames with IP header errors.

Table 97 • CPU Queue Overview (continued)

CPU Queue	Description
COMMON:CPU_QU_CFG.CPU_IP_LEN_QU	CPU queue for IPv4/IPv6 frames failing MTU check.
COMMON:CPU_QU_CFG.CPU_MC_FAIL_QU	Failed IP multicast lookup or failed RPF check.
COMMON:CPU_QU_CFG.CPU_UC_FAIL_QU	Failed IPv4/IPv6 unicast LPM lookup, invalid ARP entry (ARP_ENA=0) or failed ICMP redirect check.
COMMON:CPU_QU_CFG.CPU_IP_TTL_FAIL_QU	Frames with TTL/HL <2.
COMMON:CPU_QU_CFG.CPU_SIP_RPF_QU	Frames failing SIP RPF check.
ARP:ARP_CFG_0.DMAC0_CPU_QU	MAC address in ARP entry is all-zeros.
L3MC:L3MC_CTRL.CPU_QU	L3MC.L3MC_CTRL.CPU_REDIR_ENA = 1.

3.17.4 Statistics

For each frame, ANA_L3 generates a number of events that can be counted in ANA_AC's statistics block. Events are generated separately for ingress and egress router legs, and in ANA_AC, event counting is further split into IPv4 and IPv6.

3.17.4.1 Ingress Router Leg Statistics

The ingress router leg statistics events generated by ANA_L3 are listed in the following table.

Table 98 • Ingress Router Leg Events

Event Name	Description
ivmid_ip_uc_received	IP unicast frame received by router.
ivmid_ip_mc_received	IP multicast frame received by router.
ivmid_ip_uc_routed	IP unicast frame received and L3 forwarded by router.
ivmid_ip_mc_routed	IP multicast frame received and L3 forwarded by router.
ivmid_ip_mc_rpf_discarded	IP multicast frame received by router, but discarded due to MC RPF check.
ivmid_ip_ttl_discarded	IP multicast frame received by router, but discarded due to TTL <2.
ivmid_ip_acl_discarded	IP frame received by router, but discarded by ACL rules in ANA_AC.

For counting of ingress router leg events, eight counter pairs are provided per router leg. Each pair consists of a counter for IPv4 and a counter for IPv6, for a total of 16 counters that are available per router leg.

For each of the eight counter pairs, an event mask can be configured, specifying which of the Ingress router leg events listed will trigger the counter. Each counter pair can be configured to count either bytes or frames.

An example usage of the counters is shown in the following table.

Table 99 • Ingress Router Leg Statistics Example

Reference	Counter Name	Byte (b)/Frame (f)	Event Name							
			ivmid_ip_uc_received	ivmid_ip_mc_received	ivmid_ip_uc_routed	ivmid_ip_mc_routed	ivmid_ip_mc_rpf_discarded	ivmid_ip_ttl_discarded	ivmid_ip_acl_discarded	
RFC 4293	iplfStatsInReceives	f	x	x						
RFC 4293	iplfStatsInOctets	b	x	x						
RFC 4293	iplfStatsInForwDatagrams	f			x	x				
RFC 4293	iplfStatsInMcastPkts	f		x						
RFC 4293	iplfStatsInMcastOctets	b		x						
RFC 4293	iplfStatsInHdrErrors	f						x		
	MC RPF discards	f					x			
	ACL discards	f								x

3.17.4.2 Egress Router Leg Statistics

The egress router leg statistics events generated by ANA_L3 are listed in the following table.

Table 100 • Egress Router Leg Events

Event Name	Description
evmid_ip_uc_routed	IP unicast frame L3 forwarded by router.
evmid_ip_mc_routed	IP multicast frame L3 forwarded by router.
evmid_ip_mc_switched	IP multicast frame L2 forwarded by switch.
evmid_ip_mc_ttl_discarded	IP multicast frame discarded by router due to TTL value configured for egress router leg. See VMID:VMID_MC:RLEG_IP4_MC_TTL and VMID:VMID_MC:RLEG_IP6_MC_TTL.
evmid_ip_acl_discarded	IP frame discarded by ACL rules in ANA_AC.

For counting of egress router leg events, eight counter pairs are provided per router leg. Each pair consists of a counter for IPv4 and a counter for IPv6, for a total of 16 counters available per router leg.

For each of the eight counter pairs, an event mask can be configured to specify which of the events listed in the following table will trigger the counter. Each counter pair can be configured to count either bytes or frames.

An example usage of the counters is shown in the following table.

Table 101 • Egress Router Leg Statistics Example

Reference	Counter Name	Byte (b)/Frame (f)	Event Name				
			evmid_ip_uc_routed	evmid_ip_mc_routed	evmid_ip_mc_switched	evmid_ip_ttl_discarded	evmid_ip_acl_discarded
RFC 4293	ipIfStatsOutForwDatagrams	f	x	x			
RFC 4293	ipIfStatsOutOctets	b	x	x			
RFC 4293	ipIfStatsOutMcastPkts	f		x			
RFC 4293	ipIfStatsOutMcastOctets	b		x			
Microsemi	IP MC TTL discards	f				x	
Microsemi	ACL discards	f					x

3.17.4.3 LPM Statistics

For debugging purposes and usage monitoring, the VCAP includes a sticky bit per entry.

3.17.5 IGMP/MLD Snooping Switch

RFC4541 describes recommendations on how an IGMP/MLD snooping switch forwards IP Multicast packets.

To implement the required data forwarding rules for an IGMP/MLD snooping switch, the VCAP IS2 lookup in ANA_ACL must be used.

For each IP multicast flow, the VCAP IS2 lookup can be used to limit the forwarding within each VLAN using the following key types:

- IGMP snooping switch: IP4_VID
- MLD snooping switch: IP6_VID

Both key types include SIP, DIP, and VID such that snooping switches can be supported for IGMPv3 and MLDv2.

In the action of the VCAP rules, the following fields can be used to limit the forwarding.

- PORT_MASK. The ports to which the frame is forwarded within the VLAN.
- MASK_MODE. Should normally be set to 1 (AND_VLANMASK).

When IP multicast routing is combined with snooping, a lookup in VCAP IS2 is made for each copy of the IP multicast packet. The VID in each such lookup is the VID of the egress VLAN (of that copy). In order for the VCAP rules to use the EVID in the IP4_VID/IP6_VID key, the second VCAP lookup must be used, and ANA_ACL::VCAP_S2_CFG.SEC_ROUTE_HANDLING_ENA must be set to 1.

3.18 VCAP IS2 Keys and Actions

VCAP IS2 is part of ANA_ACL and enables access control lists using VCAP functionality. This section provides detailed information about all available VCAP IS2 keys and actions.

For information about how to select which key to use and how the VCAP IS2 action is applied, see [VCAP IS2](#), page 159.

3.18.1 VCAP IS2 Keys

VCAP IS2 supports a number of different keys that can be used for different purposes and frame types. The keys are of type X4, X8, or X16 depending on the number of words each key uses. The keys are grouped after size as shown in the following table.

Table 102 • VCAP IS2 Keys and Sizes

Key Name	Key Size	Number of Words	Key Type
IP4_VID	88 bits	4 words	X4 type
MAC_ETYPE	271 bits	8 words	X8 type
ARP	210 bits		
IP4_TCP_UDP	283 bits		
IP4_OTHER	274 bits		
CUSTOM_2	284 bits		
IP6_VID	284 bits		
IP_7TUPLE	567 bits	16 words	X16 type
CUSTOM_1	546 bits		

The following table lists details for all VCAP IS2 keys and fields. When programming an entry in VCAP IS2, the associated key fields must be programmed in the listed order with the first field in the table starting at bit 0 in the entry. As an example, for a MAC_ETYPE entry, the first field X8_TYPE must be programmed at bits 3:0 of the entry, the second field FIRST must be programmed at bit 4, and so on.

Table 103 • VCAP IS2 Key Overview

Field Name	Description	Size	IP4_VID	MAC_ETYPE	ARP	IP4_TCP_UDP	IP4_OTHER	CUSTOM_2	IP6_VID	IP_7TUPLE	CUSTOM_1
X8_TYPE	X8 type. 0: MAC_ETYPE 3: ARP 4: IP4_TCPUDP 5: IP4_OTHER 8: CUSTOM_2 9: IP6_VID	4	x	x	x	x	x	x	x		
X16_TYPE	X16 type. 1: IP7_TUPLE 2: CUSTOM_1	2								x	x
FIRST	Selects between entries relevant for first and second lookup. Set for first lookup, cleared for second lookup.	1	x	x	x	x	x	x	x	x	x
PAG	Classified Policy Association Group (PAG). PAG can be used to tie VCAP CLM lookups with VCAP IS2 lookups. The default PAG value is configurable per port in ANA_CL:PORT:PORT_ID_CFG.PAG.VAL.	8	x	x	x	x	x	x	x	x	x

Table 103 • VCAP IS2 Key Overview (continued)

Field Name	Description	Size	IP4_VID	MAC_ETYPE	ARP	IP4_TCP_UDP	IP4_OTHER	CUSTOM_2	IP6_VID	IP_7TUPLE	CUSTOM_1
IGR_PORT_MASK_SEL	<p>Mode selector for IGR_PORT_MASK.</p> <p>0: Default setting.</p> <p>1: Set for frames received from a loopback device, i.e. LBK_DEV*.</p> <p>2: Set for masqueraded frames if ANA_ACL::VCAP_S2_MISC_CTRL.MASQ_IGR_MASK_ENA == 1.</p> <p>A masqueraded frame is identified by the following criteria:</p> <p>(IFH.FWD.DST_MODE == INJECT && IFH.SRC_PORT != physical src port)</p> <p> </p> <p>(MISC.PIPELINE_ACT == INJ_MASQ)</p> <p>3: Set for the following frame types:</p> <p>3a: CPU injected frames and ANA_ACL::VCAP_S2_MISC_CTRL.CPU_IGR_MASK_ENA == 1.</p> <p>3b: Frames received from VD0 or VD1 and ANA_ACL::VCAP_S2_MISC_CTRL.VD_IGR_MASK_ENA == 1.</p> <p>3c: Frame received on a loopback device and ANA_ACL::VCAP_S2_MISC_CTRL.LBK_IGR_MASK_SEL3_ENA == 1.</p> <p>If a frame fulfills multiple of above criteria, then higher value of IGR_PORT_MASK_SEL takes precedence.</p>	2	x	x	x	x	x	x	x	x	
IGR_PORT_MASK	<p>Ingress port mask.</p> <p>IGR_PORT_MASK_SEL == 0: Each bit in the mask correspond to physical ingress port.</p> <p>IGR_PORT_MASK_SEL == 1: Each bit in the mask corresponds to the physical port on which the frame was looped.</p> <p>IGR_PORT_MASK_SEL == 2: Each bit in the mask correspond to the masqueraded port.</p> <p>If IGR_PORT_MASK_SEL == 3:</p> <p>Bit 0: Physical src port == CPU0</p> <p>Bit 1: Physical src port == CPU1</p> <p>Bit 2: Physical src port == VD0</p> <p>Bit 3: Physical src port == VD1</p> <p>Bits 4:9: Src port (possibly masqueraded or looped)</p> <p>Bits 44:48: IFH.MISC.PIPELINE_PT</p> <p>Bits 49:51: IFH.MISC.PIPELINE_ACT</p> <p>Bits 52: Reserved</p>	53	x	x	x	x	x	x	x	x	
L2_MC	Set if frame's destination MAC address is a multicast address (bit 40 = 1).	1	x	x	x	x	x	x	x	x	
L2_BC	Set if frame's destination MAC address is the broadcast address (FF-FF-FF-FF-FF-FF).	1	x	x	x	x	x	x	x	x	
SERVICE_FRM	Set if classified ISDX > 0.	1	x	x	x	x	x	x	x	x	

Table 103 • VCAP IS2 Key Overview (continued)

Field Name	Description	Size	IP4_VID	MAC_ETYPE	ARP	IP4_TCP_UDP	IP4_OTHER	CUSTOM_2	IP6_VID	IP_7TUPLE	CUSTOM_1
L2_FWD	Set if the frame is allowed to be forwarded to front ports. L2_FWD can for instance be cleared due to MSTP filtering or frame acceptance.	1	x	x	x	x	x	x	x	x	x
VLAN_TAGGED	Set if frame was received with a VLAN tag.	1	x	x	x	x	x	x	x	x	x
VID	For ISDX = 0 (non-service frames): Classified VID. If ANA_ACL::VCAP_S2_CFG.SEC_ROUTE_HANDLING_ENA is set, VID is IRLEG VID for first lookup and ERLEG VID for second lookup for routable frames (L3_RT=1). For ISDX > 0 (service frames): By default, classified ISDX. When ANA_ACL::VCAP_S2_MISC_CTRL.PAG_FORCE_VID_ENA is set, bit 7 in the PAG controls whether VID or ISDX is used: If PAG[7] = 0: Use classified ISDX. If PAG[7] = 1: Use classified VID.	12	x	x	x	x	x	x	x	x	x
DEI	Classified DEI.	1	x	x	x	x	x	x	x	x	x
PCP	Classified PCP.	3	x	x	x	x	x	x	x	x	x
L3_SMAC_SIP_MATCH	Match found in SIP security lookup in ANA_L3. See IP Source/Destination Guard , page 131.	1	x	x	x	x	x	x	x	x	x
L3_DMAC_DIP_MATCH	Match found in DIP security lookup in ANA_L3. See IP Source/Destination Guard , page 131.	1	x	x	x	x	x	x	x	x	x
L3_RT	Set if frame has hit a router leg.	1	x	x	x	x	x	x	x	x	x
L2_DMAC	Destination MAC address.	48	x							x	
L2_SMAC	Source MAC address.	48	x	x						x	
ETYPE_LEN	Frame type flag indicating that the frame is EtherType encoded. Set if frame has EtherType >= 0x600.	1	x								

Table 103 • VCAP IS2 Key Overview (continued)

Field Name	Description	Size	IP4_VID	MAC_ETYPE	ARP	IP4_TCP_UDP	IP4_OTHER	CUSTOM_2	IP6_VID	IP_7TUPLE	CUSTOM_1
ETYPES	<p>Frame's EtherType Overloading: OAM Y.1731 frames: ETYPES[6:0] contains OAM MEL flags, see the following. OAM_Y1731 is set to 1 to indicate the overloading of ETYPES.</p> <p>OAM MEL flags: Encoding of MD level/MEG level (MEL). One bit for each level where lowest level encoded as zero. The following keys can be generated: MEL=0: 0b0000000 MEL=1: 0b0000001 MEL=2: 0b0000011 MEL=3: 0b0000111 MEL=4: 0b0001111 MEL=5: 0b0011111 MEL=6: 0b0111111 MEL=7: 0b1111111 Together with the mask, the following kinds of rules may be created: - Exact match. Fx. MEL = 2: 0b0000011 - Below. Fx. MEL <= 4: 0b000XXXX - Above. Fx. MEL >= 5: 0bXX11111 - Between. Fx. 3 <= MEL <= 5: 0b00XX111, where 'X' means don't care.</p>	16	x								
IP4	<p>Frame type flag indicating the frame is an IPv4 frame. Set if frame is IPv4 frame (EtherType = 0x800 and IP version = 4)</p>	1				x	x			x	
L2_PAYLOAD_ETYPES	<p>Byte 0-7 of L2 payload after Type/Len field. Overloading: OAM Y.1731 frames (OAM_Y1731 = 1): Bytes 0-3: OAM PDU bytes 0-3 Bytes 4-5: OAM_MEPID Bytes 6-7: Unused.</p>	64	x								
L3_FRAGMENT	Set if IPv4 frame is fragmented (more fragments flag = 1 or fragments offset > 0).	1				x	x				
L3_FRAG_OFS_GT0	Set if IPv4 frame is fragmented but not the first fragment (fragments offset > 0)	1				x	x				
ARP_ADDR_SPACE_OK	Set if hardware address is Ethernet.	1			x						
ARP_PROTO_SPACE_OK	Set if protocol address space is 0x0800.	1			x						
ARP_LEN_OK	Set if Hardware address length = 6 (Ethernet) and IP address length = 4 (IP).	1			x						
ARP_TARGET_MATCH	Target Hardware Address = SMAC (RARP).	1			x						
ARP_SENDER_MATCH	Sender Hardware Address = SMAC (ARP).	1			x						

Table 103 • VCAP IS2 Key Overview (continued)

Field Name	Description	Size	IP4_VID	MAC_ETYPE	ARP	IP4_TCP_UDP	IP4_OTHER	CUSTOM_2	IP6_VID	IP_7TUPLE	CUSTOM_1
ARP_OPCODE_UNKNO WN	Set if ARP opcode is none of the below mentioned.	1			x						
ARP_OPCODE	ARP opcode. Only valid if ARP_OPCODE_UNKNOWN is cleared. 0: ARP request. 1: ARP reply. 2: RARP request. 3: RARP reply.	2			x						
L3_OPTIONS	Set if IPv4 frame contains options (IP len > 5). IP options are not parsed.	1				x	x				
L3_TTL_GT0	Set if IPv4 TTL / IPv6 hop limit is greater than 0.	1				x	x			x	
L3_TOS	Frame's IPv4/IPv6 DSCP and ECN fields.	8				x	x			x	
L3_IP4_DIP	IPv4 frames: Destination IPv4 address. IPv6 frames: Source IPv6 address, bits 63:32.	32	x		x	x	x				
L3_IP4_SIP	IPv4 frames: Source IPv4 address. IPv6 frames: Source IPv6 address, bits 31:0.	32	x		x	x	x				
L3_IP6_DIP	IPv6 frames: Destination IPv6 address. IPv4 frames: Bits 31:0: Destination IPv4 address.	128							x	x	
L3_IP6_SIP	IPv6 frames: Source IPv6 address. IPv4 frames: Bits 31:0: Source IPv4 address.	128							x	x	
DIP_EQ_SIP	Set if destination IP address is equal to source IP address.	1			x	x	x			x	
L3_IP_PROTO	IPv4 frames (IP4 = 1): IP protocol. IPv6 frames (IP4 = 0): Next header.	8					x				
TCP_UDP	Frame type flag indicating the frame is a TCP or UDP frame. Set if frame is IPv4/IPv6 TCP or UDP frame (IP protocol/next header equals 6 or 17).	1								x	
TCP	Frame type flag indicating the frame is a TCP frame. Set if frame is IPv4 TCP frame (IP protocol = 6) or IPv6 TCP frames (Next header = 6)	1				x				x	
L4_DPORT	TCP/UDP destination port. Overloading for IP_7TUPLE: Non-TCP/UDP IP frames: L4_DPORT = L3_IP_PROTO.	16				x				x	
L4_SPORT	TCP/UDP source port.	16				x				x	
L4_RNG	Range mask. Range types: SPORT, DPORT, SPORT or DPORT, VID, DSCP, custom. Input into range checkers is taken from classified results (VID, DSCP) and frame (SPORT, DPORT, custom).	8				x				x	
SPORT_EQ_DPORT	Set if TCP/UDP source port equals TCP/UDP destination port.	1				x				x	

Table 103 • VCAP IS2 Key Overview (continued)

Field Name	Description	Size	IP4_VID	MAC_ETYPE	ARP	IP4_TCP_UDP	IP4_OTHER	CUSTOM_2	IP6_VID	IP_7TUPLE	CUSTOM_1
SEQUENCE_EQ0	Set if TCP sequence number is 0.	1				x				x	
L4_FIN	TCP flag FIN.	1				x				x	
L4_SYN	TCP flag SYN.	1				x				x	
L4_RST	TCP flag RST.	1				x				x	
L4_PSH	TCP flag PSH.	1				x				x	
L4_ACK	TCP flag ACK.	1				x				x	
L4_URG	TCP flag URG.	1				x				x	
L3_PAYLOAD	Payload bytes after IP header. IPv4: IPv4 options are not parsed so payload is always taken 20 bytes after the start of the IPv4 header.	96					x				
L4_PAYLOAD	Payload bytes after TCP/UDP header. Overloading for IP_7TUPLE: Non TCP/UDP frames (TCP_UDP = 0): Payload bytes 0 – 7 after IP header. IPv4 options are not parsed so payload is always taken 20 bytes after the start of the IPv4 header for non TCP/UDP IPv4 frames.	64				x				x	
OAM_CCM_CNTR_EQ0	Flag indicating if dual-ended loss measurement counters in CCM frames are used. This flag is set if the TxFCf, RxFCb, and TxFCb counters are set to all zeros.	1		x							
OAM_Y1731	Set if frame's EtherType = 0x8902. If set, ETYPE is overloaded with OAM MEL flags, See ETYPE.	1		x							
CUSTOM1	57 bytes payload starting from current frame pointer position, as controlled by VCAP CLM actions. Note that if frame_type==ETH, then payload is retrieved from a position following the Ethernet layer, for example, after DMAC, SMAC, 0 – 3 VLAN tags, and EtherType.	456									x
CUSTOM2	24 bytes payload from frame. Location in frame is controlled by VCAP CLM actions. Note that if frame_type==ETH, payload is retrieved from a position following the Ethernet layer, for example, after DMAC, SMAC, 0–3 VLAN tags and EtherType.	192					x				

3.18.2 VCAP IS2 Actions

VCAP IS2 supports only one action, size 196 bits, which applies to all VCAP IS2 keys. The action is listed in the following table. When programming an action in VCAP IS2, the associated action fields listed must be programmed in the listed order with the first field in the table starting at bit 0 in the action.

Table 104 • VCAP IS2 Actions

Action Name	Description	Size
IS_INNER_ACL	Set if VCAP IS2 action belongs to ANA_IN_SW pipeline point.	1

Table 104 • VCAP IS2 Actions (continued)

Action Name	Description	Size
PIPELINE_FORCE_ENA	If set, use PIPELINE_PT unconditionally and set PIPELINE_ACT = NONE if PIPELINE_PT == NONE. Overrides previous settings of pipeline point.	1
PIPELINE_PT	Pipeline point used if PIPELINE_FORCE_ENA is set: 0: NONE 1: ANA_VRAP 2: ANA_PORT_VOE 3: ANA_CL 4: ANA_CLM 5: ANA_IPT_PROT 6: ANA_OU_MIP 7: ANA_OU_SW 8: ANA_OU_PROT 9: ANA_OU_VOE 10: ANA_MID_PROT 11: ANA_IN_VOE 12: ANA_IN_PROT 13: ANA_IN_SW 14: ANA_IN_MIP 15: ANA_VLAN 16: ANA_DONE	5
HIT_ME_ONCE	If set, the next frame hitting the rule is copied to CPU using CPU_QU_NUM. CPU_COPY_ENA overrides HIT_ME_ONCE implying that if CPU_COPY_ENA is also set, all frames hitting the rule are copied to the CPU.	1
INTR_ENA	If set, an interrupt is triggered when this rule is hit	1
CPU_COPY_ENA	If set, frame is copied to CPU using CPU_QU_NUM.	1
CPU_QU_NUM	CPU queue number used when copying to the CPU	3
CPU_DIS	If set, disable extraction to CPU queues from previous forwarding decisions. Action CPU_COPY_ENA is applied after CPU_DIS.	1
LRN_DIS	If set, autolearning is disallowed.	1
RT_DIS	If set, routing is disallowed.	1
POLICE_ENA	If set, frame is policed by policer pointed to by POLICE_IDX. Overloading: If cleared, POLICE_IDX can be used to select a new source IP address from table ANA_ACL::SWAP_SIP when replacing IP addresses. See ACL_RT_MODE.	1
POLICE_IDX	Selects policer index used when policing frames. Overloading: If POLICE_ENA=0, selects source IP address when replacing IP addresses.	5
IGNORE_PIPELINE_CTRL	Ignore ingress pipeline control. This enforces the use of the VCAP IS2 action even when the pipeline control has terminated the frame before VCAP IS2.	1

Table 104 • VCAP IS2 Actions (continued)

Action Name	Description	Size
DLB_OFFSET	<p>Overloading:</p> <p>1. logMessageInterval. If REW_CMD[5] = 1: For multicast Delay_Resp frames, SWAP_MAC_ENA and DLB_OFFSET encode a new logMessageInterval: SWAP_MAC_ENA=0, DLB_OFFSET=0: logMessageInterval = 0 SWAP_MAC_ENA=0, DLB_OFFSET=1: logMessageInterval = 1 ... SWAP_MAC_ENA=0, DLB_OFFSET=7: logMessageInterval = 7 SWAP_MAC_ENA=1, DLB_OFFSET=0: logMessageInterval = -8 SWAP_MAC_ENA=1, DLB_OFFSET=1: logMessageInterval = -7 ... SWAP_MAC_ENA=1, DLB_OFFSET=7: logMessageInterval = -1</p> <p>2. DLB policer index. If ACL_RT_MODE[3:2] = 1 and ACL_MAC[8:7] = 3, then DLB_OFFSET selects bits 2:0 in the DLB policer index used by the frame.</p>	3
LOG_MSG_INT	<p>Controls logMessageInterval when REW_CMD[5] = 1: For multicast Delay_Resp frames, SWAP_MAC_ENA and LOG_MSG_INT encode a new logMessageInterval: SWAP_MAC_ENA=0, LOG_MSG_INT=0: logMessageInterval = 0 SWAP_MAC_ENA=0, LOG_MSG_INT=1: logMessageInterval = 1 ... SWAP_MAC_ENA=0, LOG_MSG_INT=7: logMessageInterval = 7 SWAP_MAC_ENA=1, LOG_MSG_INT=0: logMessageInterval = -8 SWAP_MAC_ENA=1, LOG_MSG_INT=1: logMessageInterval = -7 ... SWAP_MAC_ENA=1, LOG_MSG_INT=7: logMessageInterval = -1</p>	3
MASK_MODE	<p>Controls how PORT_MASK is applied.</p> <p>0: OR_DSTMASK: Or PORT_MASK with destination mask. 1: AND_VLANMASK: And PORT_MASK with VLAN mask. 2: REPLACE_PGID: Replace PGID port mask from MAC table lookup by PORT_MASK. 3: REPLACE_ALL: Use PORT_MASK as final destination set replacing all other port masks. Note that with REPLACE_ALL, the port mask becomes sticky and cannot be modified by subsequent processing steps. 4: REDIR_PGID: Redirect using PORT_MASK[10:0] as PGID table index. See PORT_MASK for extra configuration options. Note that the port mask becomes sticky and cannot be modified by subsequent processing steps. 5: OR_PGID_MASK: Or PORT_MASK with PGID port mask from MAC table lookup. 6: VSTAX: Allows control over VSTAX forwarding. Note that the port mask becomes sticky and cannot be modified by subsequent processing steps. 7: Does not apply. The CPU port is untouched by MASK_MODE.</p>	3

Table 104 • VCAP IS2 Actions (continued)

Action Name	Description	Size
PORT_MASK	<p>Port mask applied to the forwarding decision.</p> <p>MASK_MODE=4: PORT_MASK[52]: SRC_PORT_MASK_ENA. If set, SRC_PORT_MASK is AND'ed with destination result. PORT_MASK[51]: AGGR_PORT_MASK_ENA. If set, AGGR_PORT_MASK is AND'ed with destination result. PORT_MASK[50]: VLAN_PORT_MASK_ENA. If set, VLAN_PORT_MASK is AND'ed with destination result.</p> <p>MASK_MODE=6 (VSTAX): PORT_MASK[0]: VS2_ENA - Enable use of vstax for forwarding PORT_MASK[1]: VS2_DIS - Disable use of vstax for forwarding if not VS2_ENA PORT_MASK[2]: VLAN_IGNORE - Disable Vlan port mask contribution PORT_MASK[3]: SRC_IGNORE - Disable source port mask contribution PORT_MASK[4]: AGGR_IGNORE - Disable Aggr port mask contribution PORT_MASK[5]: VS2_SRC_ENA - Update VSTAX.SRC field (and set LRN_MODE = LRN_SKIP) PORT_MASK[6]: VS2_DST_ENA - Update VSTAX.DST and VSTAX.GEN.FWD_MODE and set VSTAX.GEN.TTL=31, such that egress stack port sets TTL. PORT_MASK[18:7]: VS2_SRC - Value to be used for VSTAX.SRC PORT_MASK[29:19]: VS2_DST - Value to be used for VSTAX.DST PORT_MASK[30]: VS2_GEN_FWD_MODE_ENA update VSTAX.GEN.FWD_MODE PORT_MASK[31]: VS2_RSV - Reserved PORT_MASK[34:32]: VS2_FWD_MODE; value to be used for VSTAX.GEN.FWD_MODE</p>	55
MIRROR_PROBE	<p>Mirroring performed according to configuration of a mirror probe.</p> <p>0: No mirroring. 1: Mirror probe 0. 2: Mirror probe 1. 3: Mirror probe 2.</p>	2

Table 104 • VCAP IS2 Actions (continued)

Action Name	Description	Size
REW_CMD	<p>REW_CMD[1:0] - PTP command.</p> <p>0: No command.</p> <p>1: ONE-STEP update. Update PTP PDU according to ingress and egress port mode</p> <p>2: TWO-STEP stamping. Send frame untouched, but store ingress and egress time stamps in the time stamp FIFO.</p> <p>3: TIME-OF-DAY update. Fill system time-of-day into frame.</p> <p>REW_CMD[3:2] - Delay command:</p> <p>0: No command.</p> <p>1: Add configured egress delay for the egress port (REW::PTP_EDLY_CFG).</p> <p>2: Add configured ingress delay for the ingress port (REW::PTP_IDLY1_CFG).</p> <p>3: Add configured ingress delay for the ingress port (REW::PTP_IDLY2_CFG).</p> <p>REW_CMD[5:4] - Sequence number and time stamp command:</p> <p>0: No command.</p> <p>1: Fill in sequence number and increment. Sequence number is selected by IFH.TSTAMP.</p> <p>2: Enable Delay_Req/resp processing. This mode includes updating the requestReceiptTimestamp with the ingress time stamp.</p> <p>3: Enable Delay_Req/resp processing. This mode excludes updating the requestReceiptTimestamp.</p> <p>Note that if REW_CMD[5] is set, REW_CMD[5:4] is cleared by ANA_ACL before passing the REW_CMD action to the rewriter.</p> <p>REW_CMD[6]: If set, set DMAC to incoming frame's SMAC.</p> <p>REW_CMD[7]: If set, set SMAC to configured value for the egress port.</p> <p>REW_CMD is carried to the rewriter in IFH field VSTAX.DST.REW_CMD.</p>	8
TTL_UPDATE_ENA	<p>If set, IPv4 TTL or IPv6 hop limit is decremented.</p> <p>Overloading:</p> <p>If ACL_RT_MODE[3]=1 (SWAPPING) and ACL_RT_MODE[2:0]=4, 5, 6, or 7, the IPv4 TTL or IPv6 hop limit is preset to value configured in ANA_ACL::SWAP_IP_CTRL.</p>	1
SAM_SEQ_ENA	<p>If set, ACL_RT_MODE only applies to frames classified as SAM_SEQ.</p> <p>Overloading:</p> <p>If ACL_RT_MODE=0x8 (replace DMAC): If set, ANA_ACL::SWAP_IP_CTRL.DMAC_REPL_OFFSET_VAL controls number of bits in frame's DMAC, counting from MSB, to replace with corresponding bits in ACL_MAC.</p>	1
TCP_UDP_ENA	<p>If set, TCP/UDP ports are set to new values: DPORT = MATCH_ID, SPORT = MATCH_ID_MASK.</p>	1
MATCH_ID	<p>Logical ID for the entry. The MATCH_ID is extracted together with the frame if the frame is forwarded to the CPU (CPU_COPY_ENA). The result is placed in IFH.CL_RSLT.</p> <p>Overloading:</p> <p>If TCP_UDP_ENA is set, MATCH_ID defines new DPORT.</p>	16
MATCH_ID_MASK	<p>Mask used by MATCH_ID.</p> <p>Overloading:</p> <p>If TCP_UDP_ENA is set, MATCH_ID defines new SPORT.</p>	16
CNT_ID	<p>Counter ID, used per lookup to index the 4K frame counters (ANA_ACL::CNT_TBL). Multiple VCAP IS2 entries can use the same counter.</p>	12
SWAP_MAC_ENA	<p>Swap MAC addresses.</p> <p>Overloading:</p> <p>If REW_CMD[5]=1: For multicast Delay_Resp frames, SWAP_MAC_ENA and DLB_OFFSET encodes a new logMessageInterval. See DLB_OFFSET.</p> <p>LOG_MSG_INT encodes a new logMessageInterval. See LOG_MSG_INT.</p>	1

Table 104 • VCAP IS2 Actions (continued)

Action Name	Description	Size
ACL_RT_MODE	<p>Controls routing updates in ANA_AC and how ACL_MAC is applied:</p> <p>0: No change.</p> <p>ACL_RT_MODE[3] = 0 (ROUTING mode):</p> <p>ACL_RT_MODE[0] = 1: Enable Unicast routing updates in ANA_AC</p> <p>ACL_RT_MODE[1] = 1: Enable Multicast routing updates in ANA_AC</p> <p>ACL_RT_MODE[2] = 1: Enable overloading of ACL_MAC field.</p> <p>ACL_RT_MODE[3] = 1 (SWAPPING mode):</p> <p>ACL_RT_MODE[2:0] encodes a SWAPPING sub-mode:</p> <p>0: Replace DMAC.</p> <p>1: Replace SMAC.</p> <p>2: Swap MAC addresses. Replace SMAC if new SMAC is multicast.</p> <p>3: Swap MAC addresses if DMAC is unicast. Replace SMAC if DMAC is multicast.</p> <p>4: Swap MAC addresses. Replace SMAC if new SMAC is multicast. Swap IP addresses. Replace SIP if new SIP is multicast.</p> <p>5: Swap MAC addresses if DMAC is unicast. Replace SMAC if DMAC is multicast. Swap IP addresses if DIP is unicast. Replace SIP if DIP is multicast.</p> <p>6: Swap IP addresses. Replace SIP if new SIP is multicast.</p> <p>7: Replace SMAC. Swap IP addresses. Replace SIP if new SIP is multicast.</p> <p>Note that when replacing a MAC address, the new MAC address is taken from ACL_MAC. When replacing a SIP, the new SIP is taken from ANA_ACL::SWAP_SIP[POLICE_IDX].</p>	4
ACL_MAC	<p>MAC address used to replace either SMAC or DMAC based on ACL_RT_MODE. Overloading:</p> <p>ACL_RT_MODE[3:2] = 1.</p> <p>ACL_MAC[0]: PORT_PT_CTRL_ENA - Override PORT_PT_CTRL.</p> <p>ACL_MAC[6:1]: PORT_PT_CTRL_IDX - into ANA_AC_POL:PORT_PT_CTRL.</p> <p>ACL_MAC[16]: Enable use of ACL_MAC[26:17] as DLB policer index.</p> <p>ACL_MAC[26:17]: DLB policer index.</p> <p>ACL_RT_MODE(3) = 1:</p> <p>MAC address used to replace either SMAC or DMAC based on ACL_RT_MODE.</p>	48
PTP_DOM_SEL	<p>PTP domain selector. PTP_DOM_SEL indexes the PTP configuration in ANA_ACL:PTP_DOM used in Delay_Resp frames. See REW_CMD.</p>	2

3.19 Analyzer Access Control Lists

The analyzer access control list (ANA_ACL) block performs the following tasks.

- Controls the VCAP IS2 lookups in terms of key selection, evaluation of range checkers, and control of specific VCAP IS2 key fields such as IGR_PORT_MASK_SEL and VID.
- Generates VCAP IS2 keys and execute the two lookups.
- Updates VCAP IS2 statistics based on match results.
- Assigns actions from VCAP IS2 matching or default actions when there is no match.
- Controls routing-related frame rewrites.

The following sections provides specific information about each of these tasks.

3.19.1 VCAP IS2

Each frame is classified to one of nine overall VCAP IS2 frame types. The frame type determines which VCAP IS2 key types are applicable and controls which frame data to extract.

Table 105 • VCAP IS2 Frame Types

Frame Type	Condition
IPv6 multicast frame	The Type/Len field is equal to 0x86DD. The IP version is 6. The destination IP address is a multicast address (FF00::/8). Special IPv6 frames: •IPv6 TCP frame: Next header is TCP (0x6). •IPv6 UDP frame: Next header is UDP (0x11). •IPv6 Other frame: Next header is neither TCP nor UDP.
IPv6 unicast frame	The Type/Len field is equal to 0x86DD. The IP version is 6. The destination IP address is not a multicast address. Special IPv6 frames: •IPv6 TCP frame: Next header is TCP (0x6). •IPv6 UDP frame: Next header is UDP (0x11). •IPv6 Other frame: Next header is neither TCP nor UDP
IPv4 multicast frame	The Type/Len field is equal to 0x800. The IP version is 4. The destination IP address is a multicast address (224.0.0.0/4). Special IPv4 frames: •IPv4 TCP frame: IP protocol is TCP (0x6). •IPv4 UDP frame: IP protocol is UDP (0x11). •IPv4 Other frame: IP protocol is neither TCP nor UDP.
IPv4 unicast frame	The Type/Len field is equal to 0x800. The IP version is 4. The destination IP address is not a multicast address. Special IPv4 frames: •IPv4 TCP frame: IP protocol is TCP (0x6). •IPv4 UDP frame: IP protocol is UDP (0x11). •IPv4 Other frame: IP protocol is neither TCP nor UDP.
(R)ARP frame	The Type/Len field is equal to 0x0806 (ARP) or 0x8035 (RARP).
OAM Y.1731 frame	The Type/Len field is equal to 0x8902 (ITU-T Y.1731).
SNAP frame	The Type/Len field is less than 0x600. The Destination Service Access Point field, DSAP is equal to 0xAA. The Source Service Access Point field, SSAP is equal to 0xAA. The Control field is equal to 0x3.
LLC frame	The Type/Len field is less than 0x600 The LLC header does not indicate a SNAP frame.
ETYPE frame	The Type/Len field is greater than or equal to 0x600, and the Type field does not indicate any of the previously mentioned frame types, that is, ARP, RARP, OAM, IPv4, or IPv6.

Some protocols of interest do not have their own frame type but are included in other mentioned frame types. For instance, Precision Time Protocol (PTP) frames are handled by VCAP IS2 as either ETYPE frames, IPv4 frames, or IPv6 frames. The following encapsulations of PTP frames are supported:

- PTP over Ethernet: ETYPE frame with Type/Len = 0x88F7.
- PTP over UDP over IPv4: IPv4 UDP frame with UDP destination port numbers 319 or 320.
- PTP over UDP over IPv6: IPv6 UDP frame with UDP destination port numbers 319 or 320.

Specific PTP fields are contained in eight bytes of payload extracted after either the EtherType for PTP over Ethernet or in eight bytes of payload after the UDP header for IPv4/IPv6 frames.

3.19.1.1 Port Configuration and Key Selection

This section provides information about special port configurations that control the key generation for VCAP IS2.

The following table lists the registers associated with port configuration for VCAP IS2.

Table 106 • Port Configuration of VCAP IS2

Register	Description	Replication
ANA_ACL:PORT:VCAP_S2_KEY_SEL	Configuration of the key selection for the VCAP IS2	Per port per lookup
ANA_ACL::VCAP_S2_CFG	Enabling of VCAP IS2 lookups.	Per port per lookup

Each of the two lookups in VCAP IS2 must be enabled before use (VCAP_S2_CFG.SEC_ENA) for a key to be generated and a match to be used. If a lookup is disabled on a port, frames received by the port are not matched against rules in VCAP IS2 for that lookup.

Each port controls the key selection for each of the two lookups in VCAP IS2 through the VCAP_S2_KEY_SEL register. For some frame type (OAM Y.1731, SNAP, LLC, EYTYPE) the key selection is given as only the MAC_ETYPE key can be used. For others frame types (ARP and IP) multiple keys can be selected from. The following table lists the applicable key types available for each frame type listed in [Table 105](#), page 159.

Table 107 • VCAP IS2 Key Selection

Frame Type	Applicable VCAP IS2 keys
IPv6 multicast frames	IP6_VID IP_7TUPLE MAC_ETYPE
IPv6 unicast frames	IP_7TUPLE MAC_ETYPE
IPv4 multicast frames	IP4_VID IP_7TUPLE IP4_TCP_UDP IP4_OTHER MAC_ETYPE
IPv4 unicast frames	IP_7TUPLE IP4_TCP_UDP IP4_OTHER MAC_ETYPE
(R)ARP frames	ARP MAC_ETYPE
OAM Y.1731 frames	MAC_ETYPE
SNAP frames	MAC_ETYPE
LLC frames	MAC_ETYPE
ETYPE frames	MAC_ETYPE

Note: The key selection is overruled if VCAP CLM instructs the use of a custom key, where data from the frame is extracted at a VCAP CLM-selected point. For more information, see [VCAP IS2 Custom Keys](#), page 161.

For information about VCAP IS2 keys and actions, see [VCAP IS2 Keys and Actions](#), page 147.

3.19.1.2 VCAP IS2 Custom Keys

VCAP IS2 supports two custom keys, CUSTOM_1 and CUSTOM_2. Custom keys extract raw data from the frame at one selectable location. The custom keys enable matching against protocol fields not supported by other VCAP IS2 keys. The use of the custom keys must be enabled through a VCAP CLM FULL action using CUSTOM_ACE_ENA and CUSTOM_ACE_OFFSET.

CUSTOM_1 extracts 57 consecutive bytes of data from the frame and CUSTOM_2 extracts 24 consecutive bytes of data from the frame. The data is extracted at one of four different positions in the frame. For frames of frame_type ETH (IFH.TYPE_AFTER_POP), the positions are defined as:

- Link layer. Corresponds to first byte in DMAC.
- Link layer payload. Corresponds to first byte in L3, after VLAN tags and EtherType.
- Link layer payload plus 20 bytes. Corresponds to first byte in L4 for IPv4 frame.
- Link layer payload plus 40 bytes. Corresponds to first byte in L4 for IPv6 frame.

For frames of frame_type CW, the first link layer position is not available. The positions are defined as:

- Link layer payload. Corresponds to first byte in control word for non-IP frames and first byte in IP header for IP frames.
- Link layer payload plus 20 bytes. Corresponds to first byte in L4 for IPv4 frame.
- Link layer payload plus 40 bytes. Corresponds to first byte in L4 for IPv6 frame.

3.19.1.3 VCAP IS2 Range Checkers

The following table lists the registers associated with configuring VCAP IS2 range checkers.

Table 108 • VCAP IS2 Range Checker Configuration

Register	Description	Replication
ANA_ACL::VCAP_S2_RNG_CTRL	Configuration of the range checker types	Per range checker
ANA_ACL::VCAP_S2_RNG_VALUE_CFG	Configuration of range start and end points	Per range checker
ANA_ACL::VCAP_S2_RNG_OFFSET_CFG	Offset into frame when using a range checker based on selected value from frame	None

Eight global VCAP IS2 range checkers are supported by the IP4_TCP_UDP and IP_7TUPLE keys. All frames using these keys are compared against the range checkers and a 1-bit range “match/no match” flag is returned for each range checker. The combined eight match/no match flags are used in the L4_RNG key field. So, it is possible to include for example ranges of DSCP values and/or ranges of TCP source port numbers in the ACLs.

Note, VCAP CLM also supports range checkers but they are independent of the VCAP IS2 range checkers.

The range key is generated for each frame based on extracted frame data and the configuration in ANA_ACL::VCAP_S2_RNG_CTRL. Each of the eight range checkers can be configured to one of the following range types:

- TCP/UDP destination port range
Input to the range is the frame’s TCP/UDP destination port number.
Range is only applicable to TCP/UDP frames.
- TCP/UDP source port range
Input to the range is the frame’s TCP/UDP source port number.
Range is only applicable to TCP/UDP frames.
- TCP/UDP source and destination ports range. Range is matched if either source or destination port is within range.
Input to the range are the frame’s TCP/UDP source and destination port numbers.
Range is only applicable to TCP/UDP frames.

- VID range
Input to the range is the classified VID.
Range is applicable to all frames.
- DSCP range
Input to the range is the classified DSCP value.
Range is applicable to IPv4 and IPv6 frames.
- Selected frame field range
Input to the range is a selected 16-bit wide field from the frame. The field is selected using the offset value configured in ANA_ACL::VCAP_S2_RNG_OFFSET_CFG. The offset starts at the Type/Len field in the frame after up to 3 VLAN tags have been skipped. Note that only one selected value can be configured for all eight range checkers.
Range is applicable to all frames.

Range start points and range end points are configured in ANA_ACL::VCAP_S2_RNG_VALUE_CFG with both the start point and the end point being included in the range. A range matches if the input value to the range (for instance the frame's TCP/UDP destination port) is within the range defined by the start point and the end point.

3.19.1.4 Miscellaneous VCAP IS2 Key Configurations

The following table lists the registers associated with configuration that control the specific fields in the VCAP IS2 keys.

Table 109 • Other VCAP IS2 Key Configurations

Register	Description	Replication
ANA_ACL::VCAP_S2_CFG.SEC_ROUTE_HANDLING_ENA	Enables use of IRLEG VID and ERLEG VID instead of classified VID.	Per port
ANA_ACL:VCAP_S2:VCAP_S2_MISC_CTRL	Configuration of IGR_PORT_MASK_SEL and IGR_PORT_MASK.	None

By default, the field VID contains the frame's classified VID for both VCAP IS2 lookups. Routable frames (determined by ANA_L3) with field L3_RT=1, can be configured (ANA_ACL::VCAP_S2_CFG.SEC_ROUTE_HANDLING_ENA) to use the IRLEG VID for the first lookup in VCAP IS2 and ERLEG VID for the second lookup. This enables ACL rules that apply to the ingress router leg and ACL rules that apply to the egress router leg. The IRLEG VID and ERLEG VID are provided by ANA_L3.

All VCAP IS2 keys except IP4_VID and IP6_VID contain the field IGR_PORT_MASK_SEL and IGR_PORT_MASK. For frames received on a front port, IGR_PORT_MASK_SEL is set to 0 and the bit corresponding to the frame's physical ingress port number is set in IGR_PORT_MASK. The following lists some settings for frames received on other interfaces and how this can be configured through register VCAP_S2_MISC_CTRL:

- Loopback frames:
By default, IGR_PORT_MASK_SEL = 1 and IGR_PORT_MASK has one bit set corresponding to the physical port which the frame was looped on. Optionally use IGR_PORT_MASK_SEL = 3.
- Masqueraded frames:
By default, IGR_PORT_MASK_SEL=0 and IGR_PORT_MASK has one bit set corresponding to the masquerade port. Optionally, use IGR_PORT_MASK_SEL = 2.
- VStaX frames:
By default, frames received with a VStaX header on a front port use IGR_PORT_MASK_SEL = 0. Optionally, use IGR_PORT_MASK_SEL=3.
- Virtual device frames:
By default, IGR_PORT_MASK_SEL=0 and IGR_PORT_MASK has one bit set corresponding to the original physical ingress port. Optionally use IGR_PORT_MASK_SEL = 3.
- CPU injected frames:
By default, IGR_PORT_MASK_SEL = 0 and IGR_PORT_MASK has none bits set. Optionally use IGR_PORT_MASK_SEL = 3.

For more information about the contents of IGR_PORT_MASK_SEL and IGR_PORT_MASK, see [VCAP IS2 Key Overview](#), page 148.

3.19.1.5 Processing of VCAP IS2 Actions

VCAP IS2 returns an action for each enabled VCAP IS2 lookup. If the lookup matches an entry in VCAP IS2 then the associated action is returned. A default action is returned when no entries are matched. The first VCAP IS2 lookup returns a default action per physical ingress port while the second VCAP IS2 lookup returns a common default action. There is no difference between an action from a match and a default action.

VCAP IS2 contains 58 default actions that are allocated the following way:

- 0-52: Per ingress port default actions for first lookup.
- 53, 54: Per CPU port (CPU0 and CPU1) default actions for first lookup.
- 55, 56: Per virtual device (VD0 and VD1) default actions for first lookup
- 57: Common default action for second lookup.

Each of the two VCAP IS2 actions (from first and second lookups) can be processed either at the pipeline point ANA_OU_SW or at pipeline point ANA_IN_SW. This is controlled by VCAP IS2 action IS_INNER_ACL. The order of processing is given as:

1. Process first action if the first's action IS_INNER_ACL is 0.
2. Process second action if the second's action IS_INNER_ACL is 0.
3. Process first action if the first's action IS_INNER_ACL is 1.
4. Process second action if the second's action IS_INNER_ACL is 1.

This implies that the second action can be processed in ANA_OU_SW pipeline point and the first action can be processed in ANA_IN_SW pipeline point, or vice versa. Both actions can also be placed at the same pipeline point in which case the first action is processed before the second.

Processing of each action obeys the frame's current pipeline information (pipeline point and pipeline action). For instance if the frame has been redirected at pipeline point ANA_CLM then neither of the VCAP IS2 actions are applied. However, VCAP IS2 action IGNORE_PIPELINE_CTRL can overrule this.

Furthermore, frame processing between pipeline points ANA_OU_SW and ANA_IN_SW such as OAM filtering or protection switching can influence the processing of the VCAP IS2 actions so that only an action belonging to pipeline point ANA_OU_SW is processed.

The following table lists how the two VCAP IS2 action are combined when both VCAP IS2 actions are processed. For most cases, the processing is sequential, meaning that if both actions have settings for the same (for instance MIRROR_PROBE), the second processing takes precedence. Others are sticky meaning they cannot be undone by the second processing if already set by the first.

Table 110 • Combining VCAP IS2 Actions

Action name	Combining actions
IS_INNER_ACL	Processed individually for each action.
PIPELINE_FORCE_ENA	Processed individually for each action. Second processing uses the result from the first processing which can prevent its processing if the pipeline information from first processing disables the second processing.
PIPELINE_PT	See PIPELINE_FORCE_ENA.
HIT_ME_ONCE	Sticky.
INTR_ENA	Sticky.
CPU_COPY_ENA	Sticky.
CPU_QU_NUM	Sticky (each action can generate a CPU copy and based on configuration in ANA_AC:PS_COMMON:CPU_CFG.ONE_CPU_COPY_ONLY_MASK, both copies can be sent to CPU).
CPU_DIS	Processed individually for each action. Second processing may clear CPU copy from first processing.

Table 110 • Combining VCAP IS2 Actions (continued)

Action name	Combining actions
LRN_DIS	Sticky.
RT_DIS	Sticky.
POLICE_ENA	Sticky.
POLICE_IDX	Second action takes precedence when POLICE_ENA is set.
IGNORE_PIPELINE_CTRL	Processed individually for each action.
LOG_MSG_INT	Second action takes precedence when LOG_MSG_INT > 0.
MASK_MODE	Processed individually for each action. Second processing uses the result from the first processing. (If the first processing is sticky, the second processing is not applied). MASK_MODE is sticky for the following values: 3: REPLACE_ALL 4: REDIR_PGID 6: VSTAX
PORT_MASK	See MASK_MODE.
MIRROR_PROBE	Second action takes precedence when MIRROR_PROBE > 0.
REW_CMD	Second action takes precedence same functions are triggered by both actions. If different functions are used, both are applied.
TTL_UPDATE_ENA	Second action takes precedence when same function is triggered by both actions. If different functions are used, both are applied.
TCP_UDP_ENA	Second action takes precedence when TCP_UDP_ENA is set.
MATCH_ID	Processed individually for each action. Second processing uses the result from the first processing.
MATCH_ID_MASK	Processed individually for each action. Second processing uses the result from the first processing.
CNT_ID	Processed individually for each action. Two counters are updated, one for each action.
SWAP_MAC_ENA	Sticky.
ACL_RT_MODE	Second action takes precedence when same function is triggered by both actions. If different functions are used, both are applied.
ACL_MAC	Second action takes precedence when same function is triggered by both actions. If different functions are used, both are applied.
PTP_DOM_SEL	Second action takes precedence when PTP_DOM_SEL > 0.

3.19.1.6 VCAP IS2 Statistics and Diagnostics

The following table lists the registers associated with VCAP IS2 statistics and diagnostics.

Table 111 • VCAP IS2 Statistics and Diagnostics

Register	Description	Replication
ANA_ACL::SEC_LOOKUP_STICKY	Sticky bits for each key type used in VCAP IS2.	Per lookup
ANA_ACL::CNT	VCAP IS2 match counters. Indexed with VCAP IS2 action CNT_ID.	4,096

Each key type use in a lookup in VCAP IS2 triggers a sticky bit being set in ANA_ACL::SEC_LOOKUP_STICKY. A sticky bit is cleared by writing 1 to it.

Each action returned by VCAP IS2 triggers one of 4,096 counters (ANA_ACL::CNT) to be incremented. This applies to both actions from matches and default actions. The index into the counters is provided by VCAP IS2 action CNT_ID. The CNT_ID is fully flexible meaning multiple actions can point to the same counter. The counters are writable so they can be preset to any value. A counter is cleared by writing 0.

3.19.1.7 Routing Statistics

If a routed frame is discarded by a VCAP IS2 rule it is configurable how the frame is counted in terms of ingress and egress router leg statistics.

If the frame is discarded by the first VCAP IS2 lookup, it is selectable whether to count the frame in the ingress router leg statistics (ANA_ACL::VCAP_S2_MISC_CTRL.ACL_RT_IGR_RLEG_STAT_MODE). The frame is never counted by the egress router leg statistics.

If the frame is discarded by the second VCAP IS2 lookup, it is selectable whether to count the frame in the egress router leg statistics (ANA_ACL::VCAP_S2_MISC_CTRL.ACL_RT_EGR_RLEG_STAT_MODE). The frame is always counted by the ingress router leg statistics.

3.19.2 Analyzer Access Control List Frame Rewriting

The ANA_ACL block supports various frame rewrite functions used in routing and PTP.

When rewriting in the ANA_ACL block, ingress mirroring with an exact mirror copy of the incoming frame is no longer possible, because any rewrites are also reflected in the mirror copy.

3.19.2.1 Address Swapping and Rewriting

VCAP IS2 actions can trigger frame rewrites in the ANA_ACL block with focus on MAC addresses, IP addresses, TCP/UDP ports as well as IPv4 TTL and IPv6 hop limit.

The following table lists the registers associated with address swapping and rewriting capabilities in ANA_ACL.

Table 112 • ANA_ACL Address Swapping and Rewriting Registers

Register	Description	Replication
ANA_ACL::SWAP_SIP	IP table with 32 IPv4 addresses or 8 IPv6 addresses. Provides new source IP address when swapping IP addresses in frame with multicast destination IP address.	32
ANA_ACL::SWAP_IP_CTRL	Controls IPv4 TTL and IPv6 hop limit values. Controls number of bits to replace in DMAC.	None

VCAP IS2 action ACL_RT_MODE can enable the following rewrite modes:

- **Replace DMAC.** The frame's DMAC is replaced with the MAC address specified in VCAP IS2 action ACL_MAC. It is selectable to only replace part of the DMAC (for instance the OUI only). This is enabled with VCAP IS2 action REW_CMD[9], and the number of bits to replace is set in ANA_ACL::SWAP_IP_CTRL.DMAC_REPL_OFFSET_VAL.
- **Replace SMAC.** The frame's SMAC is replaced with the MAC address specified in VCAP IS2 action ACL_MAC.
- **Swap MAC addresses and replace SMAC if MC.** The frame's MAC addresses are swapped. If the new SMAC is a multicast MAC, it is replaced with the MAC address specified in VCAP IS2 action ACL_MAC.
- **Swap MAC addresses if UC else replace SMAC if MC.** The frame's MAC addresses are swapped if the frame's DMAC is unicast. Otherwise, the frame's SMAC is replaced with the MAC address specified in VCAP IS2 action ACL_MAC.
- **Swap MAC and IP addresses and replace SIP and SMAC if MC.** The frame's MAC addresses are swapped and the frame's IP addresses are swapped. If the new SMAC is a multicast MAC, it is replaced with the MAC address specified in VCAP IS2 action ACL_MAC. If the new SIP is a multicast, it is replaced with an IP address from the IP address table ANA_ACL::SWAP_SIP.

- **Swap MAC and IP addresses if UC else replace SIP and SMAC if MC.** The frame's MAC addresses are swapped if the frame's DMAC is unicast. Otherwise, the frame's SMAC is replaced with the MAC address specified in VCAP IS2 action ACL_MAC. The frame's IP addresses are swapped if the frame's DIP is unicast. Otherwise, the frame's SIP is replaced with an IP address from the IP address table ANA_ACL::SWAP_SIP.
- **Swap IP addresses and replace SIP if MC.** The frame's IP addresses are swapped. If the new SIP is a multicast, it is replaced with an IP address from the IP address table ANA_ACL::SWAP_SIP.
- **Replace SMAC, swap IP addresses, and replace SIP if MC.** The frame's SMAC is replaced with the MAC address specified in VCAP IS2 action ACL_MAC. The frame's IP addresses are swapped. If the new SIP is a multicast, it is replaced with an IP address from the IP address table ANA_ACL::SWAP_SIP.

The IP address table (ANA_ACL::SWAP_SIP) used by some of the above mentioned modes is indexed using VCAP IS2 action POLICE_IDX (VCAP IS2 action POLICE_ENA must be 0). The IP address table can contain 32 IPv4 addresses or 8 IPv6 addresses.

When swapping IP addresses or replacing the source IP address, it is also possible to preset the IPv4 TTL or the IPv6 hop limit. This is enabled by VCAP IS2 action TTL_UPDATE_ENA. The new TTL value for IPv4 frames is configured in ANA_ACL::SWAP_IP_CTRL.IP_SWAP_IP4_TTL_VAL and the new hop limit value for IPv6 frames is configured in ANA_ACL::SWAP_IP_CTRL.IP_SWAP_IP4_TTL_VAL.

IPv4 and IPv6 TCP/UDP frames have the option to replace the source and destination port numbers with new values. This is enabled through VCAP IS2 action TCP_UDP_ENA and new port numbers are provided by VCAP IS2 action MATCH_ID and MATCH_ID_MASK.

The IPv4 header checksum is updated whenever required by above mentioned frame rewrites. The UDP checksum is updated whenever required for IPv6 frames and cleared for IPv4 frames.

3.19.2.2 Routing in ANA_ACL

The following table lists the registers associated with routing capabilities in ANA_ACL.

Table 113 • ANA_ACL Routing Registers

Register	Description	Replication
ANA_ACL::VCAP_S2_MISC_CTRL.ACL_RT_SEL	Enable routing related frame rewrites in ANA_ACL	None
ANA_ACL::VCAP_S2_MISC_CTRL.ACL_RT_UPDATE_GEN_IDX_ERLEG_ENA	Enable use of egress router leg as VSI in rewriter.	None
ANA_ACL::VCAP_S2_MISC_CTRL.ACL_RT_UPDATE_GEN_IDX_EVID_ENA	Enable use of egress VID as VSI in rewriter.	None

If PTP and routing is to be supported concurrently, then some routing related frame rewrites must be done in ANA_ACL instead of in the rewriter. This is enabled in ANA_ACL::VCAP_S2_MISC_CTRL.ACL_RT_SEL or by setting VCAP IS2 action ACL_RT_MODE. When enabled, the frame's DMAC is changed to the next-hop MAC address specified by ANA_L3 and the rewriter is informed not to rewrite the DMAC. The following classification results used by the rewriter are changed when routing in ANA_ACL.

- The frame's classified VID is set to the egress VID.
- The frame's classified VSI is optionally set to the egress router leg (ANA_ACL::VCAP_S2_MISC_CTRL.ACL_RT_UPDATE_GEN_IDX_ERLEG_ENA) or the egress VID (ANA_ACL::VCAP_S2_MISC_CTRL.ACL_RT_UPDATE_GEN_IDX_EVID_ENA)

In addition, ANA_L3 must be setup to change the source MAC address with the address belonging to the egress router leg (ANA_L3::ROUTING_CFG.RT_SMAC_UPDATE_ENA). The IPv4 TTL or IPv6 hop limit is still decremented by the rewriter.

3.19.2.3 PTP Delay_Req/Resp Processing

VCAP IS2 actions can trigger PTP Delay_Req/resp processing where an incoming Delay_Req frame is terminated and a Delay_Resp frame is generated with appropriate PTP updates.

The following table lists the registers associated with PTP processing and rewriting capabilities in ANA_ACL.

Table 114 • ANA_ACL PTP Processing and Rewriting Registers

Register	Description	Replication
ANA_ACL:PORT:PTP_CFG	PTP time domain configuration and PTP portNumber configuration used in portIdentity.	Per port
ANA_ACL::PTP_MISC_CTRL	Enable Delay_Req/resp processing. Enable logMessageInterval update for multicast Delay_Resp frames.	None
ANA_ACL:PTP_DOM:PTP_CLOCK_ID_MSB	PTP clockIdentity used in portIdentity.	Per PTP domain
ANA_ACL:PTP_DOM:PTP_CLOCK_ID_LSB	PTP clockIdentity used in portIdentity.	Per PTP domain
ANA_ACL:PTP_DOM:PTP_SRC_PORT_CFG	PTP portNumber used in portIdentity. Configuration of whether to use fixed portNumber or per-port portNumber.	Per PTP domain
ANA_ACL:PTP_DOM:PTP_MISC_CFG	Configuration of flagField with associated mask. The PTP domain is specified with VCAP IS2 action PTP_DOM_SEL.	Per PTP domain

VCAP IS2 action REW_CMD defines the Delay_Req/Resp processing mode where two modes exist:

- Generate Delay_Resp from Delay Req frame and update the receiveTimestamp in the PTP header with the ingress PTP time stamp. Use the time stamp from the configured time domain (ANA_ACL:PORT:PTP_CFG.PTP_DOMAIN). This time domain must match the selected time domain on the ingress port (DEVxx::PTP_CFG.PTP_DOM)
- Generate Delay_Resp from Delay Req frame and do not update the receiveTimestamp.

In addition to the VCAP IS2 action, the Delay_Req/Resp processing must also be enabled in ANA_ACL (ANA_ACL::PTP_MISC_CTRL.PTP_ALLOW_ACL_REW_ENA).

In addition to updating the receiveTimestamp, the following PTP header modifications are done independently of the Delay_Req/Resp processing mode:

- **messageType**. The PTP messageType is set to 0x9 (Delay_Resp)
- **messageLength**. The PTP messageLength is set to 0x54 and the frame is expanded with 10 bytes to accommodate the requestingPortIdentity. If the frame expands beyond 148 bytes, then the frame is discarded.

For PTP frames carried over UDP, the UDP length is increased with 10 bytes. It is mandatory that the original UDP length is 44 bytes. For PTP frames carried over IPv4, the IP total length is increased with 10 bytes.

- **flagField**. Selected bits in the PTP flagField can be reconfigured using the per-PTP domain configured flagField and flagField mask (ANA_ACL:PTP_DOM:PTP_MISC_CFG).

The PTP domain is selected using VCAP IS2 action PTP_DOM_SEL.

- **sourcePortIdentity**. The sourcePortIdentity is constructed using a 64-bit clockIdentity and a 16-bit portNumber. The clockIdentity is configurable per-PTP domain.

By default, the portNumber is set to a per-PTP domain configured value. In addition, it is selectable to overwrite the six least significant bits with a per-port configured value.

The PTP domain is selected using VCAP IS2 action PTP_DOM_SEL.

- **controlField**. The PTP controlField is set to 0x3.
- **logMessageInterval**. The PTP logMessageInterval can be specified for multicast frames only with new values ranging from –8 through 7. The new value is configured using VCAP IS2 actions

SWAP_MAC_ENA and LOG_MSG_INT.

This update can be globally disabled in
 ANA_ACL::PTP_MISC_CTRL.PTP_DELAY_REQ_MC_UPD_ENA.

- **requestingPortIdentity.** This field is set to the incoming frame's sourcePortIdentity.

For PTP frames carried over UDP, any PTP header modifications trigger the UDP checksum to be updated for IPv6 frames and to be cleared for IPv4 frames.

In addition to the PTP header modifications, address swapping and rewriting can also be enabled for PTP frames. For PTP carried over UDP it can be useful to also swap MAC addresses, swap IP addresses, change UDP port numbers, and preset the IPv4 TTL or IPv6 hop limit.

3.20 Analyzer Layer 2 Forwarding and Learning

The analyzer Layer 2 (ANA_L2) block performs the following tasks:

- Determining forwarding decisions
- Tracking network stations and their MAC addresses through learning and aging
- Tracking and setting limits for number station learned per FID/ports
- Scanning and updating the MAC table

The analyzer Layer 2 block makes a forwarding decision based on a destination lookup in the MAC table. The lookup is based on the received Destination MAC address together with either the classified VID for multicast traffic or the classified FID for unicast traffic. If an entry is found in the MAC table lookup, the associated entry address is used for selecting forwarding port or ports. A flood forwarding decision is made if no entry is found and forwarding to unknown destinations is permitted (ANA_L3:VLAN:VLAN_CFG.VLAN_SEC_FWD_ENA).

The analyzer Layer 2 block performs a source lookup in the MAC table to determine if the source station is known or unknown by looking at if there is an entry in the MAC table. If a MAC table entry exists, a port move detection is performed by looking at whether the frame was received at the expected interface specified. The source check can trigger the following associated actions.

- Disabling forwarding from unknown or moved stations
- Triggering automated learning
- Sending copy to CPU

If the source station is known, the entry AGE_FLAG is cleared to indicate that source associated with the entry is active. The AGE_FLAG is part of the aging functionality to remove inactive MAC table entries. For more information, see [Automated Aging \(AUTOAGE\)](#), page 181.

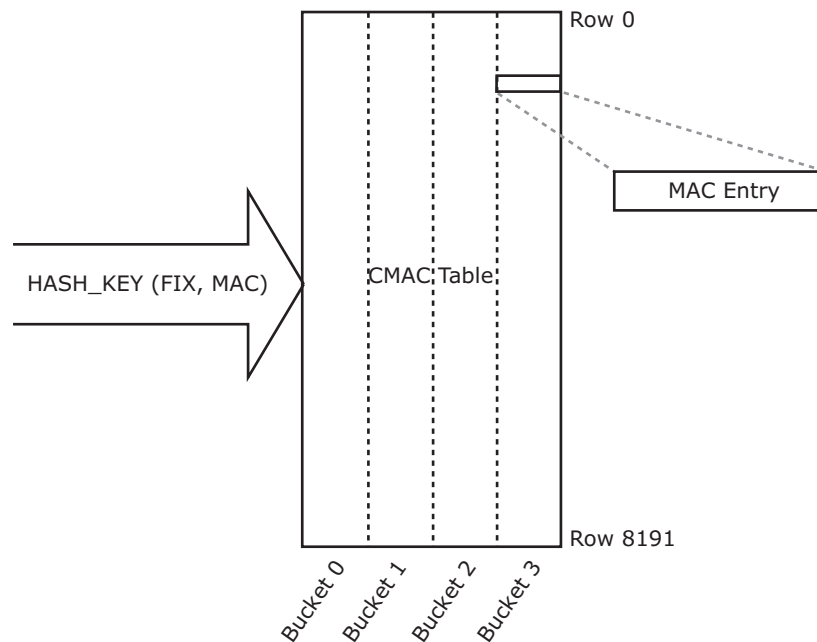
The following subsections further describe the main analyzer Layer 2 blocks.

3.20.1 Analyzer MAC Table

The analyzer Layer 2 block contains a MAC table with 32,768 entries containing information about stations learned or known by the device. The table is organized as a hash table with four buckets on each row. Each row is indexed based on a hash value calculated based on the station's (FID, MAC) pair.

The filtering ID (FID) used is either the FID from the VLAN table if a unicast MAC is looked up or else it is the classified VID. It is possible to enforce use of FID for multicast (ANA_L3:COMMON:SERVICE_CFG).

MAC table organization is depicted in the following illustration.

Figure 29 • MAC Table Organization

3.20.1.1 MAC Entry Table

Each entry in the MAC table contains the fields listed in the following table.

Table 115 • MAC Table Entry

Field	Bits	Description
VLD	1	Entry is valid.
MAC	48	The MAC address of the station. (Part of primary key).
FID	13	VLAN filtering identifier (FID) unicast C-MAC entries. VLAN identifier (VID) for multicast C-MAC entries. (Part of primary key).
LOCKED	1	Lock the entry as static. Note: Locking an entry will prevent hardware from changing anything but the AGE_FLAG in the entry.
MIRROR	1	Frames from or to this station are candidate for mirroring.
AGE_FLAG	2	The number of loopbackaging periods that have taken place since the last frame was received from this station. Incremented by hardware during a CPU SCAN and AUTOAGE SCAN for the entry configured AGE_INTERVAL.
AGE_INTERVAL	2	Used to select which age timer is associated with the entry.
NXT_LRN_ALL	1	Used to ensure consistent MAC tables in a stack.
CPU_COPY	1	Frames from or to this station are candidate for CPU copy. Used together with CPU_QU (to specify queue number).
CPU_QU	3	Used together with CPU_COPY.
SRC_KILL_FWD	1	Frames from this station will not be forwarded. This flag is not used for destination lookups.
VLAN_IGNORE	1	Used for ignoring the VLAN_PORT_MASK contribution from the VLAN table when forwarding frames to this station. Can optionally be used for source port ignore (ANA_L2::FWD_CFG.FILTER_MODE_SEL).
ADDR	12	Stored entry address used for forwarding and port move detection. The field is encoded according to ADDR_TYPE.

Table 115 • MAC Table Entry (continued)

Field	Bits	Description
ADDR_TYPE	3	<p>This field encodes how to interpret the ADDR field.</p> <p>Encoded as:</p> <p>ADDR_TYPE= UPSID_PN(0): Unicast entry address. Used to associate the entry with a unique {UPSID, UPSPN} port.</p> <p>ADDR(9:5) = UPSID</p> <p>ADDR(4:0) = UPSPN</p> <p>ADDR_TYPE=GCPU_UPS(1): CPU management entry address. Used to associate the entry with a unique global CPU port or internal port.</p> <p>ADDR(9:5) = UPSID</p> <p>ADDR(11) = 0:</p> <p> ADDR(3:0) = CPU port number.</p> <p>ADDR(11) = 1:</p> <p> ADDR(3:0) = 0xe: Internal port number.</p> <p> ADDR(3:0) = 0xf: Local lookup at destination unit (UPSID).</p> <p>ADDR_TYPE=GLAG(2): Unicast GLAG address. Used to associate the entry with a global aggregated port.</p> <p>ADDR = GLAGID.</p> <p>ADDR_TYPE=MC_IDX(3): Multicast entry address. Used to associate the entry with an entry in the PGID table. Specifies forwarding to the ports found in the PGID table entry indexed by mc_idx.</p> <p>ADDR = mc_idx.</p>

3.20.1.2 CAM Row

Under some circumstances, it might be necessary to store more entries than possible on a MAC table row, in which case entries are continuously changed or automatically updated.

To reduce this issue, one additional MAC table row (named CAM row) exist with entries that can be used to extend any hash chain, and thereby reduce the probability for hash depletion where all the buckets on a MAC table row are used. These entries on the CAM row can be used as any other MAC table entries.

CAM row usage is controlled separately (by ANA_L2::LRN_CFG.AUTO_LRN_USE_MAC_CAM_ENA, ANA_L2::LRN_CFG.CPU_LRN_USE_MAC_CAM_ENA and ANA_L2::LRN_CFG.LRN_MOVE_CAM_ENTRY_BACK).

3.20.2 MAC Table Updates

Entries in the MAC table are added, deleted, or updated by the following methods.

- Automatic (hardware-based) learning of source MAC addresses; that is, inserting new (MAC, FID) pairs in the MAC table
- CPU access to MAC table (for example, CPU-based learning and table maintenance)
- Automated age scan.

3.20.3 CPU Access to MAC Table

This section describes CPU access to the MAC table. The following table lists the applicable registers.

Table 116 • MAC Table Access Registers

Target::Register.Field	Description	Replication
LRN::COMMON_ACCESS_CTRL	Controls CSR access to MAC table.	1
LRN::MAC_ACCESS_CFG_0	Configures MAC (most significant bits) and FID for MAC table entries.	1

Table 116 • MAC Table Access Registers (continued)

Target::Register.Field	Description	Replication
LRN::MAC_ACCESS_CFG_1	Configures MAC address (Least significant bits) for MAC table entries and FID.	1
LRN::MAC_ACCESS_CFG_2	Configures the following MAC entry fields: ADDR ADDR_TYPE SRC_KILL_FWD NXT_LRN_ALL CPU_COPY VLAN_IGNORE AFE_FLAG AGE_INTERNAL MIRROR LOCKED VLD	1
LRN::EVENT_STICKY	Sticky status for access performed.	1
LRN::SCAN_NEXT_CFG	MAC table scan filter controls.	1
LRN::SCAN_NEXT_CFG_1	MAC table port move handles when performing MAC table SCAN.	1
ANA_L2::SCAN_FID_CTRL	Controls use of additional FIDs when doing scan.	1
ANA_L2::SCAN_FID_CFG	Configures additional VID/FID filters during scan if enabled in ANA_L2::SCAN_FID_CTRL.	16
LRN::SCAN_LAST_ROW_CFG	Configures a last row applicable for scan.	1
LRN::SCAN_NEXT_CNT	MAC table status when performing MAC table SCAN.	1
LRN::LATEST_POS_STATUS	Holds the latest CPU accessed MAC table location after a CPU_ACCESS_CMD has finished.	1

CPU access to the MAC table is performed by an indirect command-based interface where a number of fields are configured (in LRN::MAC_TABLE_ACCESS_CFG_*) followed by specifying the command (in LRN::COMMON_ACCESS_CTRL.CPU_ACCESS_CMD). The access is initiated by a shot bit that is cleared upon completion of the command (LRN::COMMON_ACCESS_CTRL.MAC_TABLE_ACCESS_SHOT). It is possible to trigger CPU interrupt upon completion (ANA_L2:COMMON:INTR.LRN_ACCESS_COMPLETE_INTR).

The following table lists the types of access possible.

Table 117 • MAC Table Access Commands

Command	Purpose	Use
Learn	Insert/learn new entry in MAC table.	Configure MAC and FID of the new entry in LRN::MAC_ACCESS_CFG_0 and LRN::MAC_ACCESS_CFG_1.
	Position given by HASH(MAC, FID).	Configure entry fields in LRN::MAC_ACCESS_CFG_2. Status of operation returned in: LRN::EVENT_STICKY.CPU_LRN_REFRESH_STICKY, LRN::EVENT_STICKY.CPU_LRN_INSERT_STICKY, LRN::EVENT_STICKY.CPU_LRN_REPLACE_STICKY, LRN::EVENT_STICKY.CPU_LRN_REPLACE_FAILED_STICKY, LRN::EVENT_STICKY.CPU_LRN_FAILED_STICKY, and LRN::EVENT_STICKY.LRN_MOVE_STICKY

Table 117 • MAC Table Access Commands (continued)

Command	Purpose	Use
Unlearn/Forget	Delete/unlearn entry in MAC table given by (MAC, FID). Position given by HASH(MAC, FID).	Configure MAC and FID of the entry to be unlearned in LRN::MAC_ACCESS_CFG_0 and LRN::MAC_ACCESS_CFG_1. Status of operation returned in: LRN::EVENT_STICKY.CPU_UNLEARN_STICKY and LRN::EVENT_STICKY.CPU_UNLEARN_FAILED_STICKY.
Lookup	Lookup entry in MAC table given by (MAC, FID). Position given by HASH(MAC, FID)	Configure MAC and FID of the entry to be looked up in LRN::MAC_ACCESS_CFG_0 and LRN::MAC_ACCESS_CFG_1. Status of lookup operation returned in: LRN::EVENT_STICKY.CPU_LOOKUP_STICKY and LRN::EVENT_STICKY.CPU_LOOKUP_FAILED_STICKY Entry fields are returned in LRN::MAC_ACCESS_CFG_2 if lookup succeeded.
Read direct	Read entry in MAC table indexed by (row, column)	Configure the index of the entry to read in LRN::COMMON_ACCESS_CTRL.CPU_ACCESS_DIRECT_ROW , LRN::COMMON_ACCESS_CTRL.CPU_ACCESS_DIRECT_COL and LRN::COMMON_ACCESS_CTRL.CPU_ACCESS_DIRECT_TYPE Status of read operation returned in LRN::EVENT_STICKY.CPU_READ_DIRECT_STICKY Entry fields are returned in LRN::MAC_ACCESS_CFG_0, LRN::MAC_ACCESS_CFG_1 and LRN::MAC_ACCESS_CFG_2 if read succeeded.
Write direct	Write entry in MAC table indexed by (row, column)	Configure the index of the entry to write in LRN::COMMON_ACCESS_CTRL.CPU_ACCESS_DIRECT_ROW , LRN::COMMON_ACCESS_CTRL.CPU_ACCESS_DIRECT_COL and LRN::COMMON_ACCESS_CTRL.CPU_ACCESS_DIRECT_TYPE Configure entry fields in LRN::MAC_ACCESS_CFG_0, LRN::MAC_ACCESS_CFG_1 and LRN::MAC_ACCESS_CFG_2 Status of write operation returned in LRN::EVENT_STICKY.CPU_WRITE_DIRECT_STICKY
Scan	Find next/Find all Searches through the MAC table and either stops at the first row with entries matching the specified filter conditions or perform the specified actions on all entries matching the specified filter conditions.	Configure the starting row for the scan in: LRN::COMMON_ACCESS_CTRL.CPU_ACCESS_DIRECT_ROW , LRN::COMMON_ACCESS_CTRL.CPU_ACCESS_DIRECT_COL and LRN::COMMON_ACCESS_CTRL.CPU_ACCESS_DIRECT_TYPE Configure an ending row for the scan (if searching through the complete table is not required): LRN::SCAN_LAST_ROW_CFG.SCAN_LAST_ROW For information about search filters and corresponding actions, see SCAN Command , page 174.

Table 117 • MAC Table Access Commands (continued)

Command	Purpose	Use
Find smallest	Get the smallest entry in the MAC table numerically larger than the specified (FID, MAC). FID and MAC are evaluated as a 61 bit number with the FID being most significant.	Configure MAC and FID of the starting point for the search in LRN::MAC_ACCESS_CFG_0 and LRN::MAC_ACCESS_CFG_1. Configure search filters to be used during find smallest: Use LRN::SCAN_NEXT_CFG.SCAN_NEXT_IGNORE_LOCKED_ENA to only search among entries with LRN::MAC_ACCESS_CFG_2.MAC_ENTRY_LOCKED cleared. Use LRN::SCAN_NEXT_CFG.FID_FILTER_ENA to only search among entries with the VID/FID specified in LRN::MAC_ACCESS_CFG_0.MAC_ENTRY_FID. Use LRN::SCAN_NEXT_CFG.ADDR_FILTER_ENA to only search among entries with the address specified in LRN::MAC_ACCESS_CFG_2.MAC_ENTRY_ADDR and LRN::MAC_ACCESS_CFG_2.MAC_ENTRY_ADDR_TYPE
Clear all	Initialize the table	Clears the entire table.

3.20.3.1 Adding a Unicast Entry

Use the following steps to add a unicast entry to the MAC table using the CPU interface.

1. Configure the entry MAC address: LRN::MAC_ACCESS_CFG_0.MAC_ENTRY_MAC_MSB <16 MS MAC bits > LRN::MAC_ACCESS_CFG_1.MAC_ENTRY_MAC_LSB < 32 LS MAC bit >
2. Configure the VLAN FID:
LRN::MAC_ACCESS_CFG_0.MAC_ENTRY_FID <fid value>
3. Configure the UPSID/UPSPN value:
LRN::MAC_ACCESS_CFG_2.MAC_ENTRY_ADDR_TYPE 0 (=UPSID)
LRN::MAC_ACCESS_CFG_2.MAC_ENTRY_ADDR <UPSPN/port value >
4. Make the entry valid: LRN::MAC_ACCESS_CFG_2.MAC_ENTRY_VLD 1
5. Perform access:
LRN::COMMON_ACCESS_CTRL.CPU_ACCESS_CMD 0 (=LEARN)
LRN::COMMON_ACCESS_CTRL.MAC_TABLE_ACCESS_SHOT 1
6. Verify that access succeeded: LRN::COMMON_ACCESS_CTRL.MAC_TABLE_ACCESS_SHOT == 0? LRN::EVENT_STICKY.CPU_LRN_INSERT_STICKY==1?

3.20.3.2 Adding Multicast Entry with Destination Set in PGID Table

Use the following steps to add Layer 2 multicast entries to the MAC table using the CPU interface.

1. Configure the entry MAC address: LRN::MAC_ACCESS_CFG_0.MAC_ENTRY_MAC_MSB <16 MSB MAC bits > LRN::MAC_ACCESS_CFG_1.MAC_ENTRY_MAC_LSB < 32 LSB MAC bits >
2. Configure the VLAN ID:
LRN::MAC_ACCESS_CFG_0.MAC_ENTRY_FID <vid value>
3. Configure the PGID pointer:
LRN::MAC_ACCESS_CFG_2.MAC_ENTRY_ADDR_TYPE 3 (=MC_IDX)
LRN::MAC_ACCESS_CFG_2.MAC_ENTRY_ADDR <pgid value >
4. Lock the entry (not subject to aging and automatic removal):
LRN::MAC_ACCESS_CFG_2.MAC_ENTRY_LOCKED 1
5. Make the entry valid:
LRN::MAC_ACCESS_CFG_2.MAC_ENTRY_VLD 1
6. Perform access:
LRN::COMMON_ACCESS_CTRL.CPU_ACCESS_CMD 0 (=LEARN)
LRN::COMMON_ACCESS_CTRL.MAC_TABLE_ACCESS_SHOT 1
7. Verify that access succeeded: LRN::COMMON_ACCESS_CTRL.MAC_TABLE_ACCESS_SHOT == 0? LRN::EVENT_STICKY.CPU_LRN_INSERT_STICKY==1?

3.20.4 SCAN Command

The SCAN command easily performs table management, such as port flushing, CPU-based aging, and port moves.

Scan can be configured with a variety of filters and modifiers that allows the CPU to easily identify and optionally modify entries matching the configured filter conditions.

The scan operates by running through all entries and whenever entries are found with matching conditions, the scan either stops with a status of the matching location (for example, a “find next” operation) or performs the configured modification actions for all entries (for example, “scan all” operation).

When the scan runs as “find next”, the scan commands are performed for finding the next matching entry. In this case it is possible to specify a starting row for a scan (LRN::COMMON_ACCESS_CTRL.CPU_ACCESS_DIRECT_ROW and LRN::COMMON_ACCESS_CTRL.CPU_ACCESS_DIRECT_TYPE).

Whenever the scan stops with a matching entry, the CPU can process the entry and then sets the starting row to the row following the matching row and, issue another scan command. This can then be repeated until all entries have been scanned.

SCAN is started by setting LRN::COMMON_ACCESS_CTRL.CPU_ACCESS_CMD 5 (=SCAN) and setting the shot bit LRN::COMMON_ACCESS_CTRL.MAC_TABLE_ACCESS_SHOT

SCAN is completed when the shot bit is cleared in LRN::COMMON_ACCESS_CTRL.MAC_TABLE_ACCESS_SHOT.

The following table lists the supported SCAN filters.

Table 118 • Scan Filters

Filter Type	Target::Register.Field	Description
FID filter	LRN::SCAN_NEXT_CFG.FID_FILTER_ENA LRN::MAC_ACCESS_CFG_0.MAC_ENTRY_FID ANA_L2::SCAN_FID_CTRL ANA_L2::SCAN_FID_CFG	Finds entries with a specific VID/FID.
Port or Address filter	LRN::SCAN_NEXT_CFG.ADDR_FILTER_ENA, LRN::MAC_ACCESS_CFG_2.MAC_ENTRY_ADDR, LRN::MAC_ACCESS_CFG_2.MAC_ENTRY_ADDR_TY PE LRN::SCAN_NEXT_CFG_1.SCAN_ENTRY_ADDR_MA SK	Finds entries with a specific ADDR_TYPE and ADDR. Note that this can be combined with ADDR wildcards; for example, to find all entries related with a given ADDR_TYPE, and so on.
Automatic age scan port filter	LRN::SCAN_NEXT_CFG.SCAN_USE_PORT_FILTER_E NA ANA_L2::FILTER_OTHER_CTRL ANA_L2::FILTER_LOCAL_CTRL	Configures a port filter used for defining which ports are applicable for automatic aging.
Non-locked only filter	LRN::SCAN_NEXT_CFG.SCAN_NEXT_IGNORE_LOCK ED_ENA	Finds non locked entries.
Aged only filter	LRN::SCAN_NEXT_CFG.SCAN_NEXT_AGED_ONLY_E NA	Finds only aged entries, that is, AGE_FLAG equal to maximum (configured in ANA_L2::LRN_CFG.AGE_SIZE).
AGE_INTERVAL filter	LRN::SCAN_NEXT_CFG.SCAN_AGE_INTERVAL_MAS K	Finds entries with a specific AGE_INTERVAL.
AGE_FLAG filter	LRN::SCAN_NEXT_CFG.SCAN_AGE_FILTER_SEL MAC_ACCESS_CFG_2.MAC_ENTRY_AGE_FLAG	Finds only entries with a specific value.
NXT_LRN_ALL filter	LRN::SCAN_NEXT_CFG.NXT_LRN_ALL_FILTER_ENA MAC_ACCESS_CFG_2.MAC_ENTRY_NXT_LRN_ALL	Finds only entries with a specific value.

Table 118 • Scan Filters (continued)

Filter Type	Target::Register.Field	Description
Ignore locked filter	LRN::SCAN_NEXT_CFG.SCAN_NEXT_IGNORE_LOCK_ED_ENA	Finds all or only non locked entries.
Aged only filter	LRN::SCAN_NEXT_CFG.SCAN_NEXT_AGED_ONLY_ENA	Finds all or only aged entries (AGE_FLAG != 0).

The following table lists the available SCAN related actions.

Table 119 • Scan Modification Actions

Action Type	Target::Register.Field	Description
Scan next until found	LRN::SCAN_NEXT_CFG.SCAN_NEXT_UNTIL_FOUND_ENA	Controls if scan stops when finding an entry or scans through all entries.
Update AGE_FLAG	LRN::SCAN_NEXT_CFG.SCAN_AGE_FLAG_UPDATE_SEL	Updates AGE_FLAG for found entries. See LRN::SCAN_NEXT_CFG.
Update NXT_LRN_ALL	LRN::SCAN_NEXT_CFG.SCAN_NXT_LRN_ALL_UPDATE_SEL	Update sNXT_LRN_ALL for found entries. See LRN::SCAN_NEXT_CFG.
Change address (MOVE)	LRN::SCAN_NEXT_CFG.SCAN_NEXT_MOVE_FOUND_ENA LRN::SCAN_NEXT_CFG_1.PORT_MOVE_NEW_ADDR LRN::SCAN_NEXT_CFG_1.SCAN_ENTRY_ADDR_MASK	Updates address for found entries.
Remove	LRN::SCAN_NEXT_CFG.SCAN_NEXT_REMOVE_FOUND_ENA	Removes found entries.
CPU age scan	LRN::SCAN_NEXT_CFG.SCAN_NEXT_INC_AGE_BITS_ENA	Performs CPU based age scan. Aged entries. For example, entries with AGE_FLAG equal to maximum (configured in ANA_L2::LRN_CFG.AGE_SIZE) are removed and Non aged entries, such as entries with AGE_FLAG less than maximum, gets the AGE_FLAG incremented. Automatic Learning , page 179.

The following SCAN status is available:

- Match scan result for the last matching row is reported (LRN::LATEST_POS_STATUS.SCAN_NEXT_STATUS).
- Number of entries found during the scan found (LRN::SCAN_NEXT_CNT.SCAN_NEXT_CNT).
- Scan remove is reported via the sticky event (LRN::EVENT_STICKY.SCAN_REMOVED_STICKY)
- Scan match found is reported via the sticky event (LRN::EVENT_STICKY.ROW_WITH_SCAN_ENTRY_STICKY).

3.20.4.1 Initiating a Port Move for a Specific FID

The following example initiates a port move for specific FID.

- Move found entries:
Set LRN::SCAN_NEXT_CFG.SCAN_NEXT_MOVE_FOUND_ENA = 1.
- Specify the FID filter:
Set LRN::SCAN_NEXT_CFG.FID_FILTER_ENA = 1.
Set LRN::MAC_ACCESS_CFG_0.MAC_ENTRY_FID = <FID value>.

- Specify port filter:
Set LRN::SCAN_NEXT_CFG.ADDR_FILTER_ENA = 1.
Set LRN::MAC_ACCESS_CFG_2.MAC_ENTRY_ADDR_TYPE = 0 to specify address type UPSID_PN.
Set LRN::MAC_ACCESS_CFG_2.MAC_ENTRY_ADDR = <UPSID, UPSPN> to specify UPSID and UPSPN.
- Specify the new address:
Set LRN::SCAN_NEXT_CFG_1.PORT_MOVE_NEW_ADDR = <new UPSID, new UPSPN>
Set LRN::SCAN_NEXT_CFG_1.SCAN_ENTRY_ADDR_MASK = all ones.
- Scan through all rows by starting at row 0:
Set LRN::COMMON_ACCESS_CTRL.CPU_ACCESS_DIRECT_ROW = 0.
Set LRN::COMMON_ACCESS_CTRL.CPU_ACCESS_DIRECT_TYPE = 0.
- Issue SCAN command:
Set LRN::COMMON_ACCESS_CTRL.CPU_ACCESS_CMD = 5.
Set LRN::COMMON_ACCESS_CTRL.MAC_TABLE_ACCESS_SHOT = 1.
- Wait until LRN::COMMON_ACCESS_CTRL.MAC_TABLE_ACCESS_SHOT is cleared.

3.20.5 Forwarding Lookups

This section describes forwarding handling. The following table lists the applicable registers.

Table 120 • Forwarding Registers

Target::Register.Field	Description	Replication
ANA_L2:COMMON:FWD_CFG	Configures common forwarding options	1

3.20.5.1 DMAC-Based Forwarding

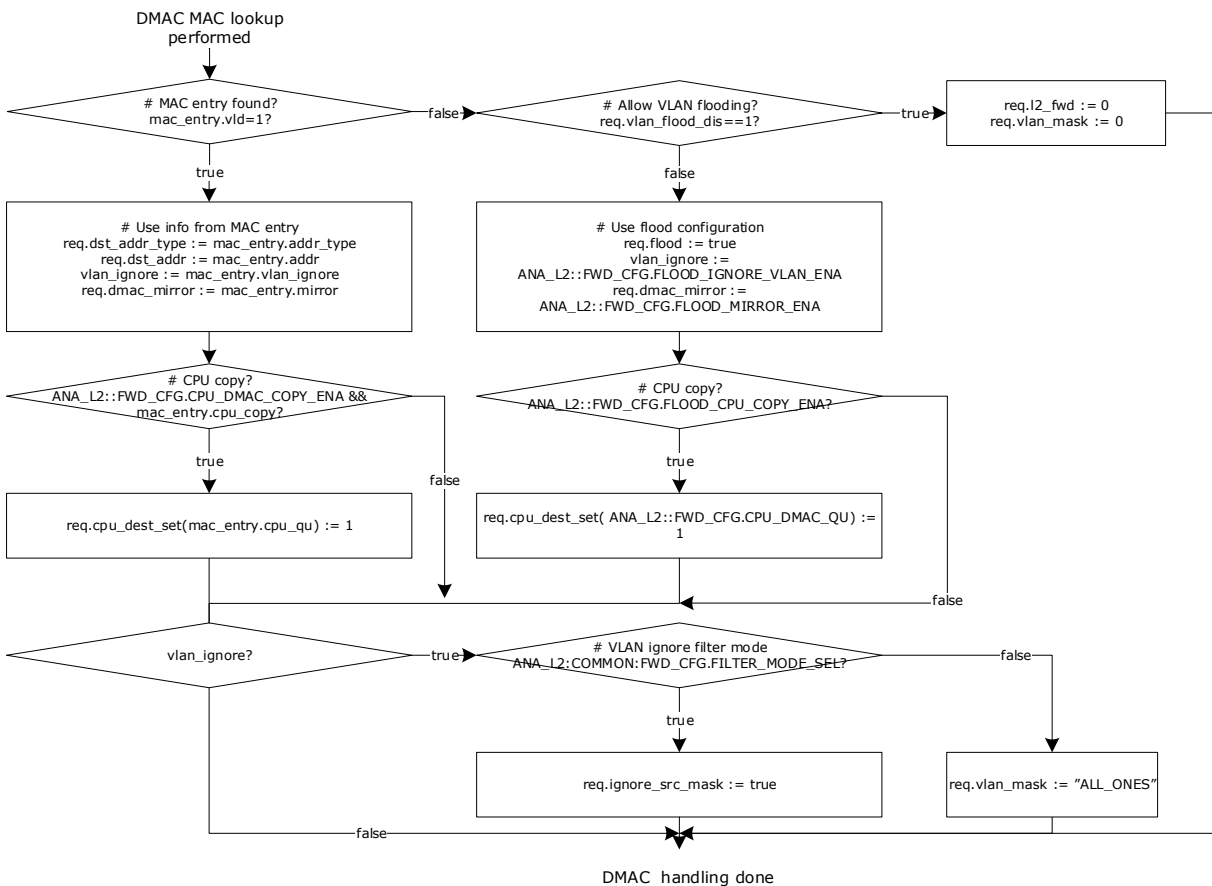
The analyzer performs destination lookup in the MAC table to determine if the destination MAC address is known or unknown.

- If the destination is unknown, a flood forwarding decision is made if forwarding from unknown sources is allowed (ANA_L3:VLAN:VLAN_CFG.VLAN_SEC_FWD_ENA). The associated flood masks are located in the PGID table.
- If the destination address is known, the associated ADDR_TYPE and ADDR stored in the destination entry is used to find the destination port or ports in the PGID table.

Flooded traffic can be made available for mirroring (ANA_L2:COMMON:FWD_CFG.FLOOD_MIRROR_ENA) and CPU copying (ANA_L2:COMMON:FWD_CFG.FLOOD_CPU_COPY_ENA ANA_L2:COMMON:FWD_CFG.CPU_DMAL_QU).

Traffic with known DMAC and VLAN_IGNORE set LRN:COMMON:MAC_ACCESS_CFG_2.MAC_ENTRY_VLAN_IGNORE for CPU learned frames or LRN:COMMON:AUTO_LRN_CFG.AUTO_LRN_IGNORE_VLAN for auto learned entries) and optionally also flooded traffic (when ANA_L2:COMMON:FWD_CFG.FLOOD_IGNORE_VLAN_ENA set) can be configured to ignore VLAN port mask or source port mask (ANA_L2:COMMON:FWD_CFG.FILTER_MODE_SEL).

The DMAC lookup of the received {DMAC, EFID} in the MAC table is shown in the following illustration.

Figure 30 • DMAC Lookup

3.20.6 Source Check and Automated Learning

This section describes hardware (or automated) learning related to source checking. The following table lists the applicable registers.

Table 121 • Hardware-Based Learning

Target::Register.Field	Description	Replication
ANA_L2::AUTO_LRN_CFG ANA_L2::AUTO_LRN_CFG1	Configures automatic learning per port	1
ANA_L2::LRN_SECUR_CFG ANA_L2::LRN_SECUR_CFG1	Configures secure forwarding per port	1
ANA_L2::LRN_SECUR_LOCKED_CFG ANA_L2::LRN_SECUR_LOCKED_CFG1	Configures secure forwarding for static locked entries per port.	1
ANA_L2::LRN_COPY_CFG ANA_L2::LRN_COPY_CFG1	Configures CPU copy of learn frames per port.	1
ANA_L2::MOVELOG_STICKY ANA_L2::MOVELOG_STICKY1	Identifies ports with moved stations.	1
ANA_L2::LRN_CFG	Configures common learning properties.	1
ANA_L3::VLAN::VLAN_CFG.VLAN_FID	Configures filtering identifier (FID) to be used for learning.	Per VLAN
LRN::AUTO_LRN_CFG	Configures automatic learning options.	1

Table 121 • Hardware-Based Learning (continued)

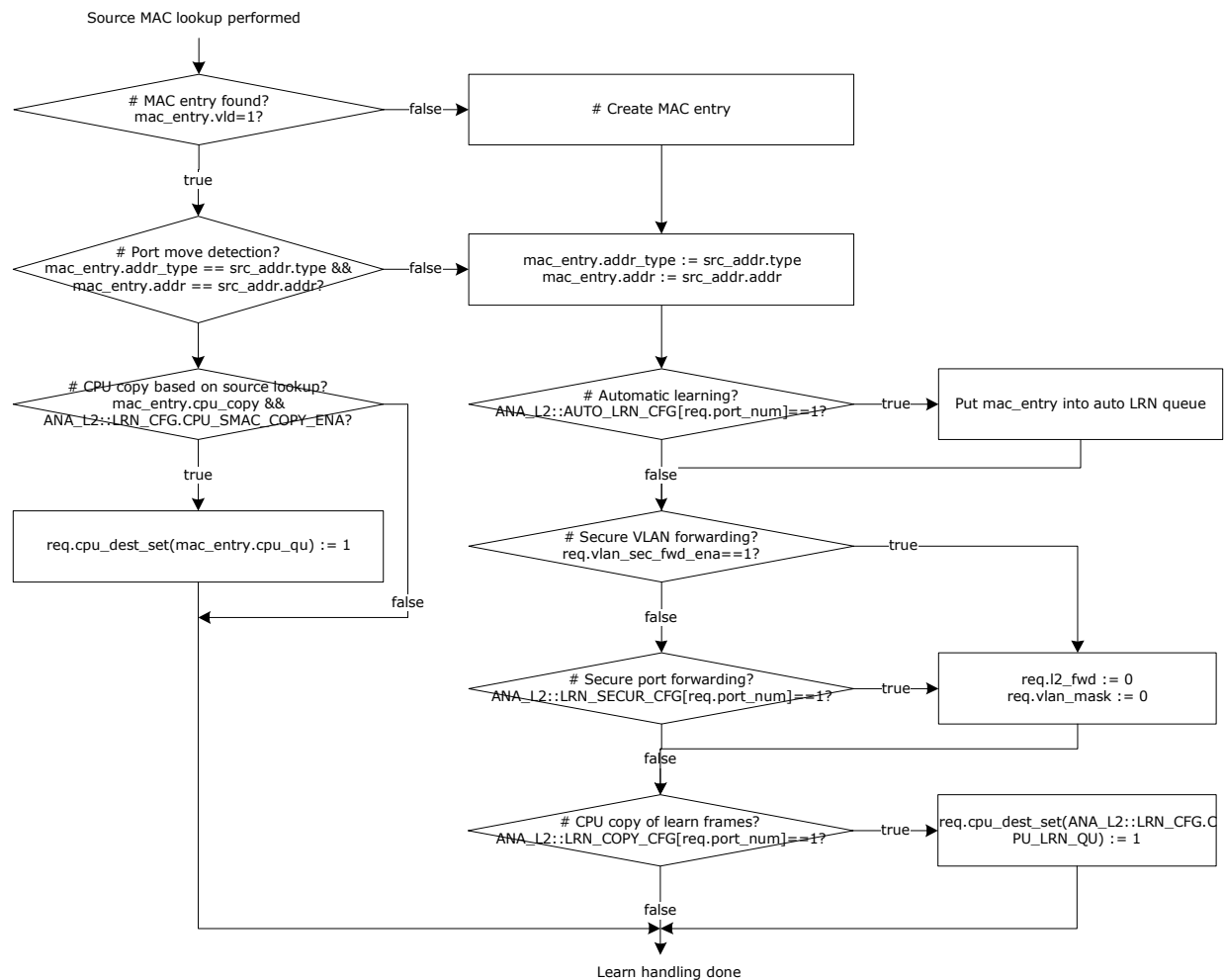
Target::Register.Field	Description	Replication
LRN::EVENT_STICKY	Signal various sticky learning events.	1
ANA_L2:PORT_LIMIT:PORT_LIMIT_CTRL	Controls automatic learn limits per logical port and GLAG.	per port and GLAG (85 instances)
ANA_L2:PORT_LIMIT:PORT_LIMIT_STATUS	Status for port limits.	per port and GLAG (85 instances)
ANA_L2:LRN_LIMIT:FID_LIMIT_CTRL	Controls automatic learn limits per FID.	per FID (5,120 instances)
ANA_L2:LRN_LIMIT:FID_LIMIT_STATUS	Status for FID limits.	per FID (5,120 instances)

The devices learn addresses from each received frame's SMAC field, so that subsequently forwarded frames whose destination addresses have been learned can be used to restrict transmission to the port or ports necessary to reach their destination.

The analyzer performs source lookup of the received {SMAC, IFID} in the MAC table to determine if the source station is known or unknown. For more information, see [Figure 31](#), page 179. If the source station is known, a port move detection is performed by checking that the frame was received at the expected port as specified by the ADDR_TYPE and ADDR stored in the source entry. The expected port can be a logical port (represented as UPSID, UPSPN) or a global aggregated port (represented as GLAGID). Failing source checks can trigger a number of associated actions:

- Secure forwarding. Disable forwarding from unknown or moved stations. This action can be triggered by two configurations:
 VLAN-based Secure forwarding controlled per VLAN (ANA_L3:VLAN:VLAN_CFG.VLAN_SEC_FWD_ENA).
 Port-based secure forwarding controlled per port (ANA_L2::LRN_SECUR_CFG).
- Secure forwarding from locked entries. Disable forwarding from known but moved stations with locked MAC table entry (ANA_L2:COMMON:LRN_SECUR_LOCKED_CFG).
- Automatic learning enabled per port (ANA_L2::AUTO_LRN_CFG). Automatic learning of traffic received from an unknown source station will cause the MAC table to be updated with a new entry. Traffic received from a known source station with changed port will cause the known MAC table entry ADDR_TYPE and ADDR to be updated.
- CPU copy enabled per port (ANA_L2::LRN_COPY_CFG and ANA_L2::LRN_CFG.CPU_LRN_QU). A learn copy is sent to CPU.

These actions are controlled independently. In other words, it is possible to send a CPU copy as well as disable normal forwarding.

Figure 31 • Source Check

The source lookup is also used to clear an Age flag (used as activity indication) in the MAC table to allow inactive MAC table entries to be pruned.

Port move detection is not performed for locked MAC table entries unless enabled (ANA_L2::LRN_CFG.LOCKED_PORTMOVE_DETECT_ENA).

Frames failing locked port move detection can be copied to CPU queue (ANA_L2::LRN_CFG.CPU_LRN_QU and ANA_L2::LRN_CFG.LOCKED_PORTMOVE_COPY_ENA).

3.20.6.1 Automatic Learning

The devices can automatically add or update entries in the MAC table. New entries added by automatic learning are formatted as follows.

- VLD is set
- MAC is set to the frame's SMAC address
- FID set to the frame's REQ.FID
- ADDR_TYPE, ADDR is set to:
 UPSID_PN if received on a non aggregated port
 GLAG if received on a global aggregated port
- MAC_CPU_COPY (LRN::AUTO_LRN_CFG.AUTO_LRN_CPU_COPY)
- MAC_CPU_QU (LRN::AUTO_LRN_CFG.AUTO_LRN_CPU_QU)
- SRC_KILL (LRN::AUTO_LRN_CFG.AUTO_LRN_SRC_KILL_FWD)
- IGNORE_VLAN (LRN::AUTO_LRN_CFG.AUTO_LRN_IGNORE_VLAN)
- MIRROR (LRN::AUTO_LRN_CFG.AUTO_LRN_MIRROR)

- AGE_INTERVAL (LRN::AUTO_LRN_CFG.AUTO_AGE_INTERVAL)
- All other fields are cleared

When a frame is received from a known station, that is, the MAC table already contains an entry for the received frame's (SMAC, VID/FID), the analyzer clears the AGED_FLAG for unlocked entries (LOCKED flag cleared) and optionally, locked entries (ANA_L2:COMMON:LRN_CFG.AGE_LOCKED_ENA). A cleared AGE_FLAG implies that the station is active. For more information, [Automated Aging \(AUTOAGE\)](#), page 181.

For unlocked entries, ADDR_TYPE and ADDR fields are compared against the following:

- UPSID_PN if received on a non aggregated port
- GLAG if received on a global aggregated port

If there is a difference, the source entry ADDR_TYPE and ADDR is updated, which implies the station has moved to a new port.

Source check for entries stored with ADDR_TYPE=MC_IDX (=3) can be ignored (ANA_L2::LRN_CFG.IGNORE_MCIDX_PORTMOVE_ENA).

3.20.6.2 Port Move Log

A port move occurs when an existing MAC table entry for (MAC, FID) is updated with new port information (ADDR_TYPE and ADDR). Such an event is logged and reported (in ANA_L2::MOVELOG_STICKY) by setting the bit corresponding to the new port.

If port moves continuously occurs, it may indicate a loop in the network or a faulty link aggregation configuration.

Port moves for locked entries can be detected in ANA_L2::LRN_CFG.LOCKED_PORTMOVE_DETECT_ENA.

3.20.6.3 Port Learn Limits

It is possible to specify the maximum number of entries in the MAC table per port.

Port limits can be specified per logical port (local link aggregated port) and per global link aggregated port (GLAG) (ANA_L2:PORT_LIMIT:PORT_LIMIT_CTRL.PORT_LRN_CNT_LIMIT). These limits do not take multicast into account.

The current number of learned entries are always available in ANA_L2:PORT_LIMIT:PORT_LIMIT_STATUS.PORT_LRN_CNT and are updated whenever either an automatic learn operation or a CPU access is performed.

After a limit is reached, both automatic learning and CPU-based learning of unlocked entries are denied. A learn frame to be learned when the limit is reached can selectively be discarded, redirected to CPU, or copied to CPU (controlled in ANA_L2:PORT_LIMIT:PORT_LIMIT_CTRL.PORT_LIMIT_EXCEED_SEL). Trying to exceed the configured limit can also trigger interrupt (ANA_L2:PORT_LIMIT:PORT_LIMIT_CTRL.PORT_LIMIT_EXCEED_IRQ_ENA).

When learn limits are exceeded, a corresponding sticky bit is set (ANA_L2:PORT_LIMIT:PORT_LIMIT_STATUS.PORT_LRN_LIMIT_EXCEEDED_STICKY).

If a MAC table entry interrupt moves from one port to another port, it is also reflected in the current number of learned entries.

3.20.6.4 Filtering Identifier Learn Limits

It is possible to specify the maximum number of entries to be used per FID (ANA_L2:LRN_LIMIT:FID_LIMIT_CTRL.FID_LRN_CNT_LIMIT). These limits do not take multicast into account.

The current number of learned entries are always available in ANA_L2:LRN_LIMIT:FID_LIMIT_STATUS.FID_LRN_CNT.

After a limit is reached, both automatic learning and CPU-based learning of unlocked entries are denied. A learn frame to be learned when the limit is reached can selectively be discarded, redirected to CPU, or copied to CPU (controlled by ANA_L2:LRN_LIMIT:FID_LIMIT_CTRL.FID_LIMIT_EXCEED_SEL).

Attempts to exceed the configured limit can also trigger interrupt (ANA_L2:LRN_LIMIT:FID_LIMIT_CTRL.FID_LIMIT_EXCEED_IRQ_ENA).

When the learn limits are exceeded, a corresponding sticky bit is set (ANA_L2:LRN_LIMIT:FID_LIMIT_STATUS.FID_LRN_LIMIT_EXCEEDED_STICKY).

3.20.6.5 Shared or Independent VLAN Learning in MAC Table

The devices can be set up to do a mix of Independent VLAN Learning (IVL), where MAC addresses are learned separately on each VLAN and Shared VLAN Learning (SVL), where a MAC table entry is shared among a group of VLANs. For shared VLAN learning, a MAC address and a filtering identifier (FID) define each MAC table entry. A set of VIDs used for Shared VLAN learning maps to the same FID. Shared VLAN learning is only applicable for unicast traffic.

Addresses learned from frames with one VLAN Identifier (VID) may or may not be used to filter frames with the same SMAC but another VID, depending on management controls. If learned information is shared for two or more given VIDs those VIDs map to a single Filtering Identifier (FID) and the term Shared VLAN Learning (SVL) is used to describe their relationship. If the information is not shared, the VIDs map to different FIDs and Independent VLAN Learning (IVL) is being used. FID is configured per VLAN (ANA_L3:VLAN:VLAN_CFG.VLAN_FID).

For example, if VID 16 and VID 17 use SVL and share FID 16, then a MAC entry (MAC #X, FID 16) is known for both VID 16 and VID 17.

If VID 16 and VID 17 use IVL and use FID 16 and FID 17, a MAC entry (MAC #X, FID 16) is only known for VID 16; that is, the MAC address will be unknown for VID 17 (FID = 17).

In a VLAN-unaware operation, the devices are set up to do SVL; that is, MAC addresses are learned for all VLANs. Protocol-based VLAN, where traffic is classified into multiple VLANs based on protocol, requires SVL.

3.20.7 Automated Aging (AUTOAGE)

This section describes how to configure automated age scanning. The following table lists the applicable registers.

Table 122 • Automated Age Scan Registers Overview

Target::Register.Field	Description	Replication
LRN::AUTOAGE_CFG	Configures automated age scan of MAC table for each of the four AGE_INTERVALS.	4
LRN::AUTOAGE_CFG_1	Configures automated age scan of MAC table.	1
LRN::AUTOAGE_CFG_2	Configures automated age scan of MAC table.	1
LRN::EVENT_STICKY. AUTOAGE_SCAN_COMPLETED_STICKY	Signals completion of an automatic scan.	1
LRN::EVENT_STICKY. AUTOAGE_SCAN_STARTED_STICKY	Signals start of an automatic scan.	1
LRN::EVENT_STICKY. AUTOAGE_AGED_STICKY	Signals entries aged due to automatic aging.	1
LRN::EVENT_STICKY. AUTOAGE_REMOVE_STICKY	Signals entries removed due to automatic aging.	1
ANA_L2::FILTER_LOCAL_CTRL	Configures front port filters to be used by automatic aging and CPU scan.	1
ANA_L2::FILTER_OTHER_CTRL	Configures remote scan filter to be used by automatic aging and CPU scan.	1
ANA_L2::LRN_CFG.AGE_SIZE	Configures the AGE_FLAG size.	1

Entry AGE_FLAG is used to detect inactive sources. The AGE_FLAG field is cleared upon receiving traffic from a given source station and is periodically incremented by hardware to detect and delete inactive source entries.

The automated age scan scans the MAC table and checks age candidates (entries with LOCK flag set to 0) for activity.

If an entry's AGE_FLAG is set to maximum value (configured in ANA_L2::LRN_CFG.AGE_SIZE), the entry is deemed inactive and removed. If an entry's AGE_FLAG is less than the maximum value, the AGE_FLAG is incremented.

The flag is cleared when receiving frames from the station identified by the MAC table entry.

It is possible to configure and forget AUTOAGE, which means that once configured automated aging is performed without any further CPU assistance.

The interval between automatic aging can be controlled by specifying AGE_FLAG size (ANA_L2::LRN_CFG.AGE_SIZE), unit size (LRN::AUTOAGE_CFG.UNIT_SIZE), and the number of units between aging (LRN::AUTOAGE_CFG.PERIOD_VAL).

Setting LRN::AUTOAGE_CFG.UNIT_SIZE different from 0 to start the automatic aging.

To temporarily disable automatic aging, set LRN::AUTOAGE_CFG.PAUSE_AUTO_AGE_ENA to 1. Additional control of automatic aging allows for instantaneously start and stop of current age scan (LRN::AUTOAGE_CFG_1.FORCE_HW_SCAN_SHOT and LRN::AUTOAGE_CFG_1.FORCE_HW_SCAN_STOP_SHOT).

It is also possible to do a controlled stopping of current age scan after it completes (LRN::AUTOAGE_CFG_1.FORCE_IDLE_ENA).

It is possible to selectively do age filtering of local ports specified in ANA_L2::FILTER_LOCAL_CTRL.FILTER_FRONTPORT_ENA or selectively do age filtering of entries learned on remote devices in a multichip configuration (ANA_L2::FILTER_OTHER_CTRL.FILTER_REMOTE_ENA). Both types must be enabled (LRN::AUTOAGE_CFG_1.USE_PORT_FILTER_ENA).

The state of automatic aging can be monitored (LRN::AUTOAGE_CFG_2.NEXT_ROW, LRN::AUTOAGE_CFG_2.SCAN_ONGOING_STATUS, LRN::EVENT_STICKY.AUTOAGE_SCAN_COMPLETED_STICKY and LRN::EVENT_STICKY.AUTOAGE_SCAN_STARTED_STICKY).

It is possible to observe whether entries are affected by a sticky event (LRN::EVENT_STICKY.AUTOAGE_AGED_STICKY and LRN::EVENT_STICKY.AUTOAGE_REMOVE_STICKY).

Example

For a 300-second age time, set four age periods of 75 seconds each:

1. Set ANA_L2::LRN_CFG.AGE_SIZE to 1.
2. Set LRN::AUTOAGE_CFG[0].AUTOAGE_UNIT_SIZE to 3.

3.20.8 Interrupt Handling

The following table lists the interrupt handling registers.

Table 123 • Analyzer Interrupt Handling Registers Overview

Target::Register.Field	Description	Replication
ANA_L2::INTR	Status of interrupt source	1
ANA_L2::INTR_ENA	Mask interrupt	1
ANA_L2::INTR_IDENT	Status of interrupt	1

A sticky status of all interrupt sources in the analyzer is available (ANA_L2::INTR.VCAP_S2_INTR), and all interrupt source can individually be configured to trigger CPU interrupt (ANA_L2::INTR_ENA). The current CPU interrupt status is available (ANA_L2::INTR_IDENT).

The following analyzer interrupt sources exist:

VCAP IS2 can be setup to trigger CPU interrupt (VCAP_S2_INTR) when an entry with enabled interrupt is hit (VCAP IS2 action INTR_ENA).

It is possible to trigger interrupt (PORT_LRN_LIMIT_INTR) when learning on a port attempt to exceed a configured port learn limit (configured in ANA_L2:PORT_LIMIT:PORT_LIMIT_CTRL.PORT_LIMIT_EXCEED_IRQ_ENA).

It is possible to trigger interrupt (FID_LRN_LIMIT_INTR) when learning on a FID attempt to exceed a configured limit (configured in ANA_L2:LRN_LIMIT:FID_LIMIT_CTRL.FID_LIMIT_EXCEED_IRQ_ENA).

LRN access to the MAC table can be configured to trigger interrupt (LRN_ACCESS_COMPLETE_INTR) after completion. This is useful when multiple CPU scans must be performed as fast as possible, for example, when sorting the MAC addresses extracted from the entire MAC table using SCAN commands. For more information about using the SCAN command, see [SCAN Command](#), page 174.

3.21 Analyzer Access Control Forwarding, Policing, and Statistics

This section provides information about analyzer access control (ANA_AC) forwarding, policing, and statistics.

3.21.1 Mask Handling

This section describes how a number of port masks are applied to ensure correct forwarding.

- VLAN port mask from ANA_L3:VLAN. This mask is used to ensure frames are only forwarded within a dedicated VLAN (or VSI if service forwarded). The VLAN mask handle protection by means of hardware assisted updates. For more information, see [VLAN Table Update Engine](#), page 126. The VLAN mask can be modified by VCAP CLM full action MASK_MODE and by VCAP IS2 action MASK_MODE.
- PGID port mask from ANA_AC:PGID. This mask is based on the DMAC lookup in the PGID table. One of the six flood PGID entries is used if the DMAC is unknown. For DMAC known in the MAC table, the associated address is used to select the used PGID entry.
- Source port mask from ANA_AC:SRC. This mask is used to ensure frames are never forwarded to the port it was received on and the used entry is found by looking up the source port.
- Global source port mask from ANA_AC:SRC. This mask is used to ensure frames are never forwarded to the global port it was received on and the used entry is found by looking up the global stacking source port.
- Aggregation port mask from ANA_AC:AGGR. This mask is used to ensure frames are forwarded to one port within each aggregate destination port.
- REQ.port_mask and REQ.mask_mode. This mask is special in the sense that it is a general purpose mask that can be used for various security features and protection. The mask is controlled by VCAP CLM and VCAP IS2.

The following sections provide more information about the different port masks.

3.21.1.1 PGID Lookup

The following table lists the registers associated with PGID lookup.

Table 124 • PGID Registers Overview

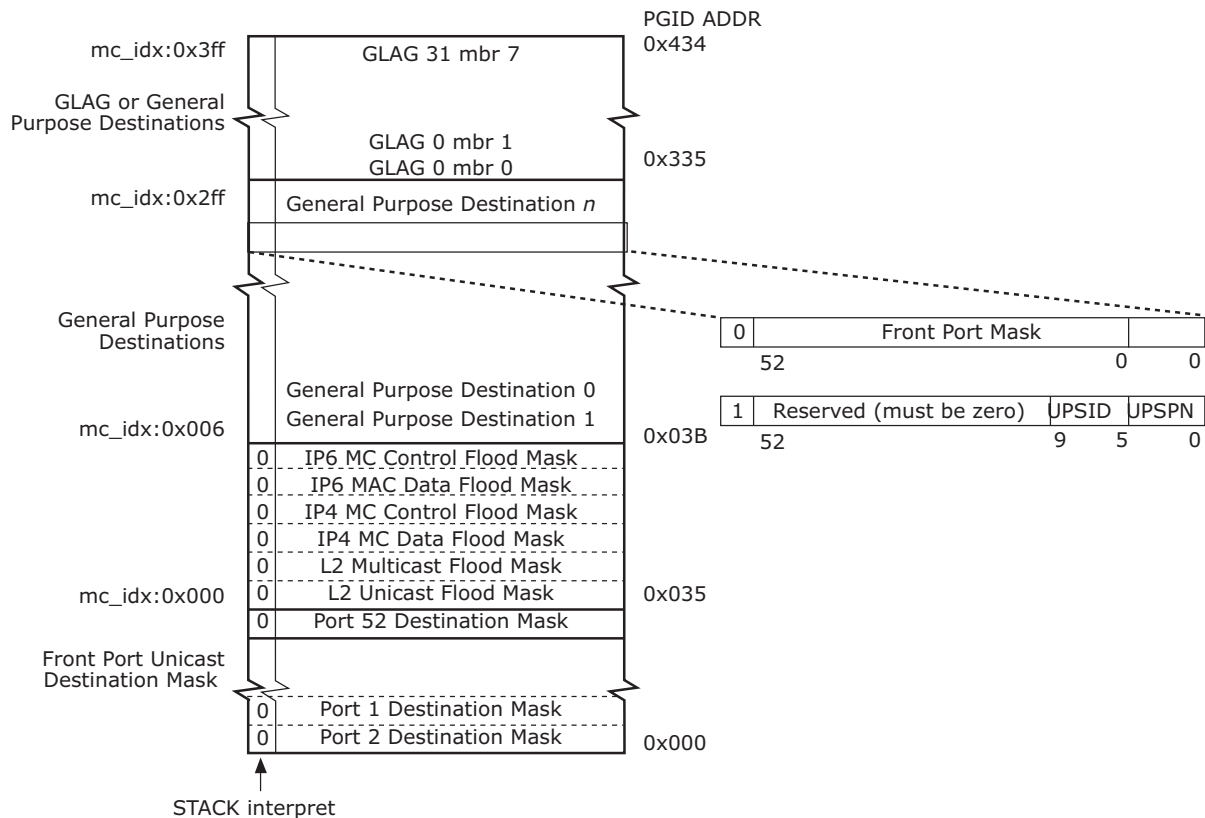
Target::Register.Field	Description	Replication
ANA_AC:PGID:PGID_MISC_CFG	Configures how to interpret PGID_CFG and PGID_CFG1 and configures CPU copy with associated CPU queue.	per PGID

Table 124 • PGID Registers Overview (continued)

Target::Register.Field	Description	Replication
ANA_AC:PGID:PGID_CFG	Configures destination port mask or destination {UPSID,PN}.	per PGID
ANA_AC:PGID:PGID_CFG1		

The PGID table is organized as shown in the following illustration.

Figure 32 • PGID Layout



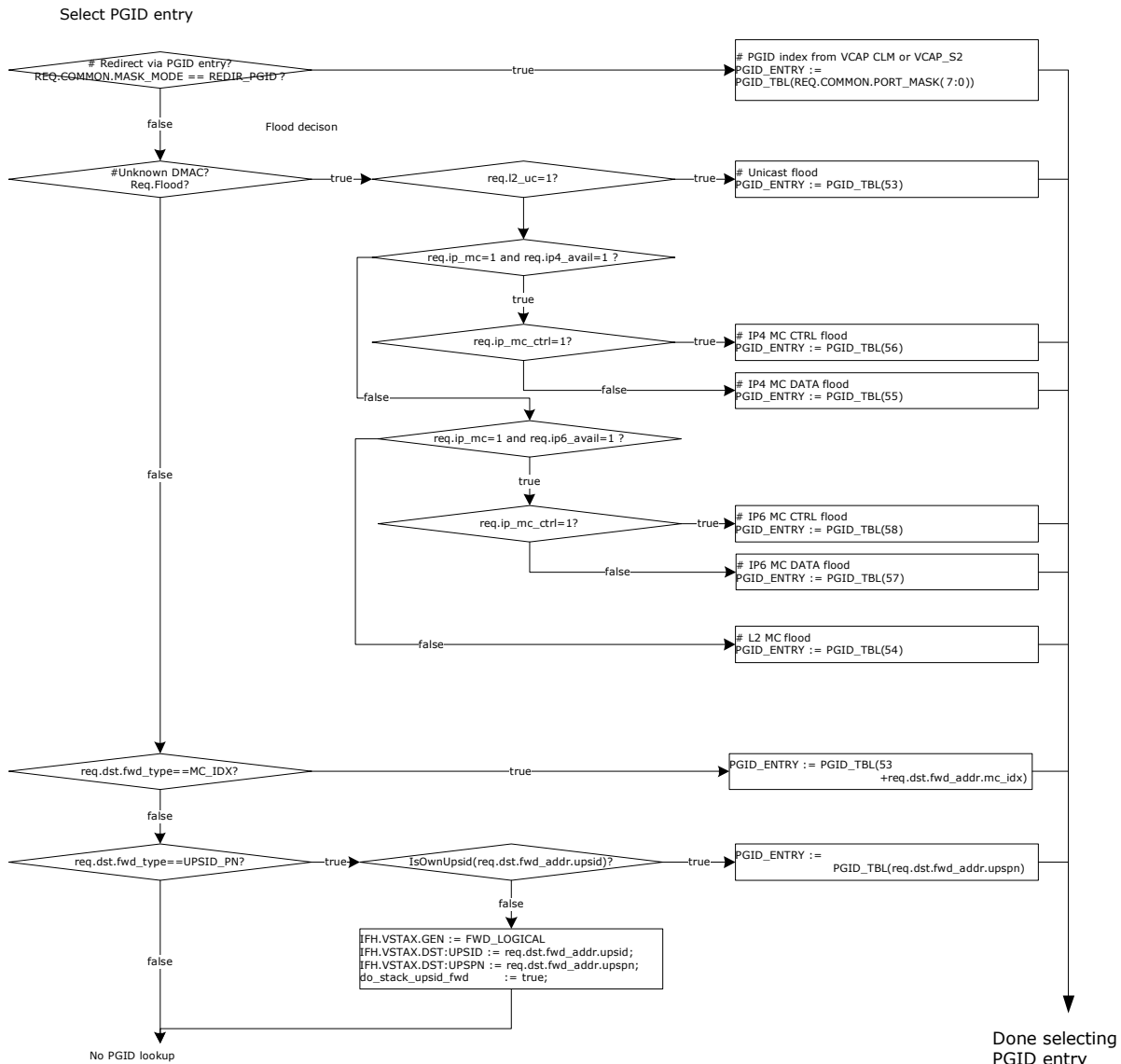
The forwarding process generates a forwarding decision that is used to perform a lookup in the PGID table. The following forwarding decisions are possible.

- Flood forwarding to one of the six flood masks located from address 53 to address 58 in the PGID table is used as destination mask.
- Unicast forwarding to {UPSID,UPSPN}. UPSID is checked against ANA_AC::COMMON_VSTAX_CFG.OWN_UPSID:
 - If identical, destination mask is found based on lookup of UPSPN within the front port destinations of the PGID table (address 0 to 52).
 - If not identical, destination mask is found based on lookup of UPSID in ANA_AC:UPSID:UPSID_CFG.
- Multicast forwarding: mc_idx is looked up in the PGID table with an offset of 53. Based on the returned entry stack bit:
 - If cleared, the returned entry mask is interpreted as a destination mask.
 - If set, the returned entry mask is {UPSID,UPSPN} and the destination mask is found based on lookup of UPSID in ANA_AC:UPSID:UPSID_CFG.
- REQ destination set (REQ.COMMON.PORT_MASK when REQ.COMMON.MASK_MODE=REPLACE_PGID). Destination set (REQ.COMMON.PORT_MASK from VCAP CLM or VCAP IS2 is directly used as destination mask without PGID lookup.
- REQ.L2_FWD cleared. Frame is discarded.

It is possible to generate a CPU copy can be generated when using the PGID lookup. If ANA_AC:PGID:PGID_MISC_CFG.PGID_CPU_COPY_ENA is set in the used PGID entry, a copy is sent to CPU queue specified by ANA_AC:PGID:PGID_MISC_CFG.PGID_CPU_QU.

The following illustration depicts the PGID lookup decision.

Figure 33 • PGID Lookup Decision Forwarding



The following debug events can be used to observe current forwarding:

ANA_AC:PS_STICKY:STICKY.PGID_CPU_MASK_STICKY,
 ANA_AC:PS_STICKY:STICKY.NO_L2_L3_FWD_STICKY,
 ANA_AC:PS_STICKY:STICKY.IP6_MC_CTRL_FLOOD_STICKY,
 ANA_AC:PS_STICKY:STICKY.IP6_MC_DATA_FLOOD_STICKY,
 ANA_AC:PS_STICKY:STICKY.IP4_MC_CTRL_FLOOD_STICKY,
 ANA_AC:PS_STICKY:STICKY.IP4_MC_DATA_FLOOD_STICKY,
 ANA_AC:PS_STICKY:STICKY.L2_MC_FLOOD_STICKY and
 ANA_AC:PS_STICKY:STICKY.UC_FLOOD_STICKY

The events can be counted in the port statistics block by setting the corresponding counter mask:ANA_AC:PS_STICKY_MASK:STICKY_MASK

3.21.1.2 Source Lookup

This section describes how to configure source port filtering. The following table lists the applicable registers.

Table 125 • Source Table Registers Overview

Target::Register.Field	Description	Replication
ANA_AC:SRC:SRC_CFG ANA_AC:SRC:SRC_CFG1	Configures source port filtering	89

Source port filtering for each ingress port can be configured to ensure that frames are not bridged back to the port it was received on (ANA_AC:SRC[0-56]:SRC_CFG).

Ports part of a link aggregation group (LAG) are configured with identical source masks, with all member ports removed (bits corresponding to the member ports are cleared).

If a port is part of a global link aggregation group, a filter is applied to ensure that frames received at this port are not bridged back to any of the ports in the global link aggregation group of which the source port is part (ANA_AC:SRC[57-88]:SRC_CFG).

Local device ports part of a global link aggregation group must be cleared in the global aggregation source mask (via ANA_AC:SRC[57-88]:SRC_CFG).

Source port filtering can be disabled when VCAP IS2 action MASK_MODE is set to 4 (= REDIR_PGID).

Source port filtering is not applied when a frame is routed.

3.21.1.3 Aggregation Group Port Selection

This section describes how to configure the aggregation table. The following table lists the applicable registers.

Table 126 • Aggregation Table Registers Overview

Target::Register.Field	Description	Replication
ANA_AC:AGGR:AGGR_CFG ANA_AC:AGGR:AGGR_CFG1	Configures aggregation port filtering.	16

The purpose of the aggregation table is to ensure that when a frame is destined for an aggregation group, it is forwarded to exactly one of the group's member ports.

The aggregation code REQ.AGGR_CODE generated in the classifier is used to look up an aggregation mask in the aggregation table. Aggregation mask is configured in ANA_AC:AGGR:AGGR_CFG.

For non-aggregated ports, there is a one-to-one correspondence between logical port (ANA_CL:PORT:PORT_ID_CFG.LPORT_NUM) and physical port, and the aggregation table does not change the forwarding decision.

For aggregated ports, all physical ports in the aggregation group map to the same logical port, and destination entries for a logical port in the PGID table must include all physical ports, which are members of the aggregation group. Therefore, all but one LAG member port must be removed from the destination port set.

For more information about link aggregation, see [Link Aggregation Code Generation](#), page 110

3.21.1.4 Global Link Aggregation Forwarding

This section describes how to configure forwarding to a GLAG. The following table lists the applicable registers.

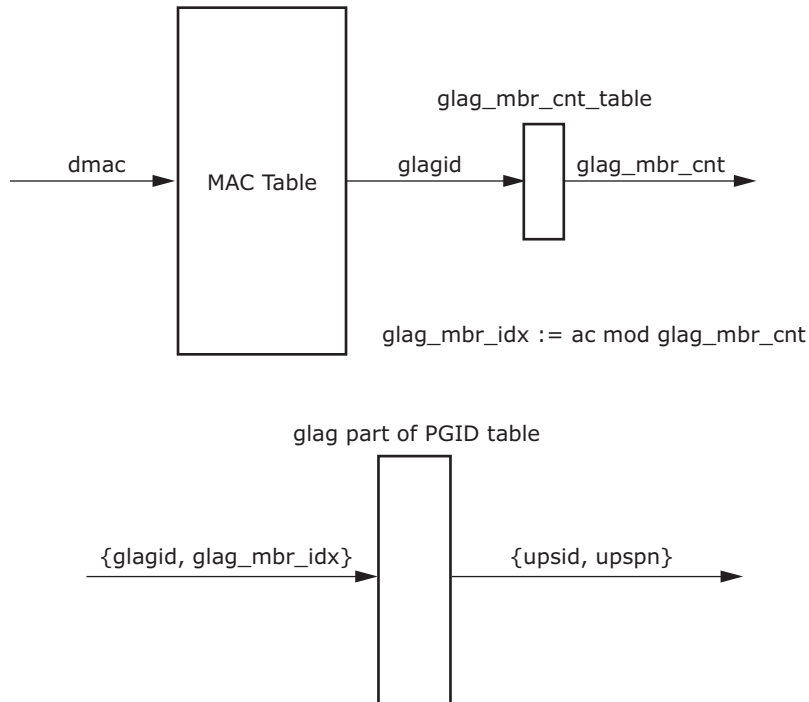
Table 127 • GLAG Forward Registers Overview

Target::Register.Field	Description	Replication
ANA_AC::COMMON_VSTAX_CFG	Configures VSTAX handles.	1
ANA_AC:GLAG:MBR_CNT_CFG	Configures number of members per GLAG.	32

The devices perform a final port of exit (POE) calculation in ingress device when destination is a global aggregated port. GLAG POE calculation must be enabled (ANA_AC::COMMON_VSTAX_CFG.VSTAX2_GLAG_ENA). When enabled, GLAG forwarding uses a portion of the PGID table (addresses 821 to 1076). These addresses must use UPSID, UPSPN encoding by setting the stack interpret bit.

POE calculation, which selects one of the global aggregated as destination port, is shown in the following illustration.

Figure 34 • GLAG Port of Exit Calculation



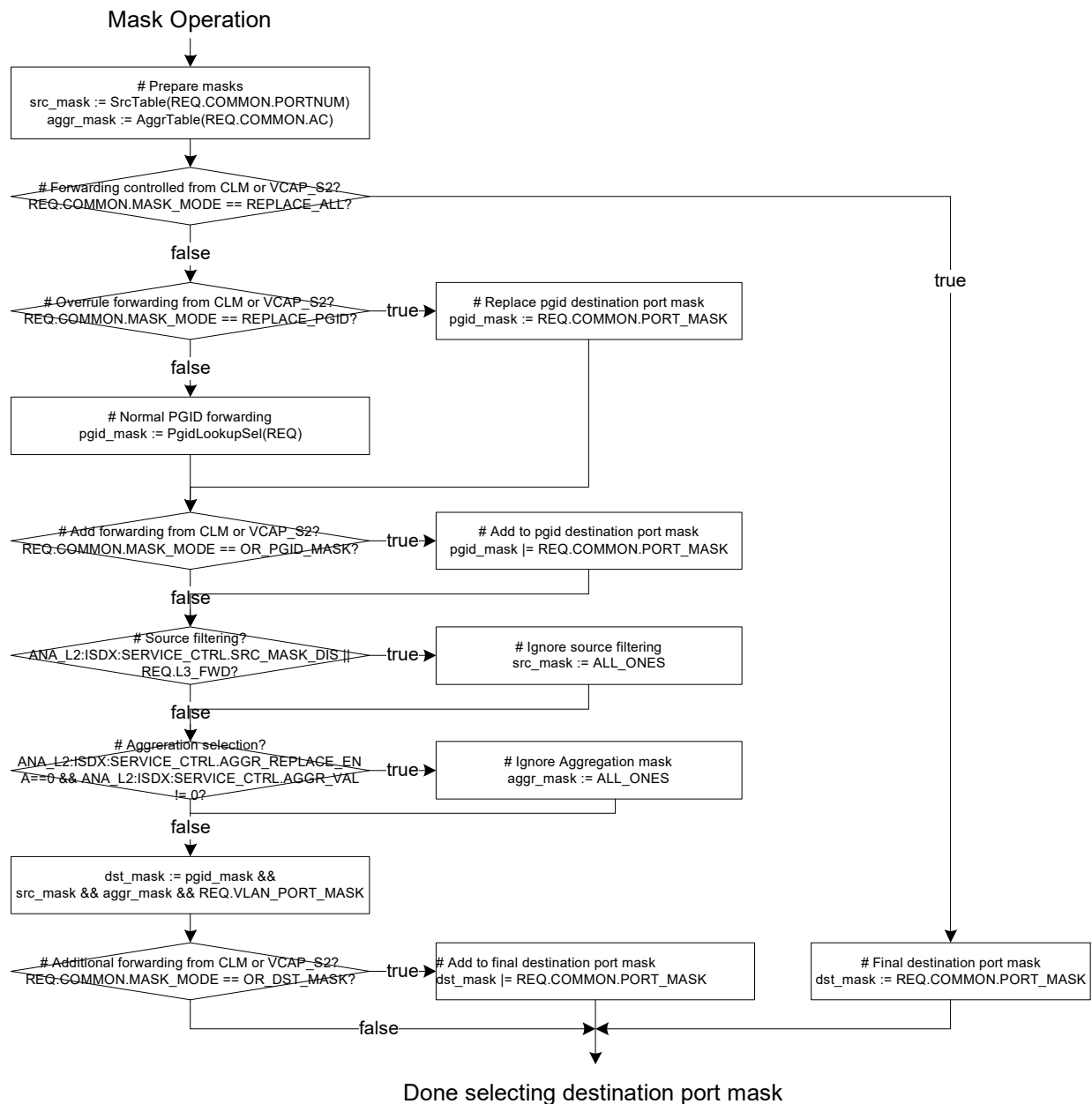
The total number of ports part of a GLAG must be specified in ANA_AC:GLAG:MBR_CNT_CFG.

The corresponding destination must be configured in PGID table for each GLAG member.

3.21.1.5 Port Mask Operation

The final destination port mask are deducted as shown in the following illustration.

Figure 35 • Port Mask Operation



3.21.2 Policing

This section describes the functions of the policers. The following table lists the applicable registers.

Table 128 • Policer Control Registers Overview

Target::Register.Field	Description	Replication
ANA_AC_POL::POL_ALL_CFG	Configures general control settings.	1
ANA_AC_POL::POL_ACL_CTRL	Configures VCAP policer's mode of operation.	32
ANA_AC_POL::POL_ACL_RATE_CFG	Configures VCAP policer's peak information rate	32
ANA_AC_POL::POL_ACL_THRES_CFG	Configures VCAP policer's burst capacity.	32

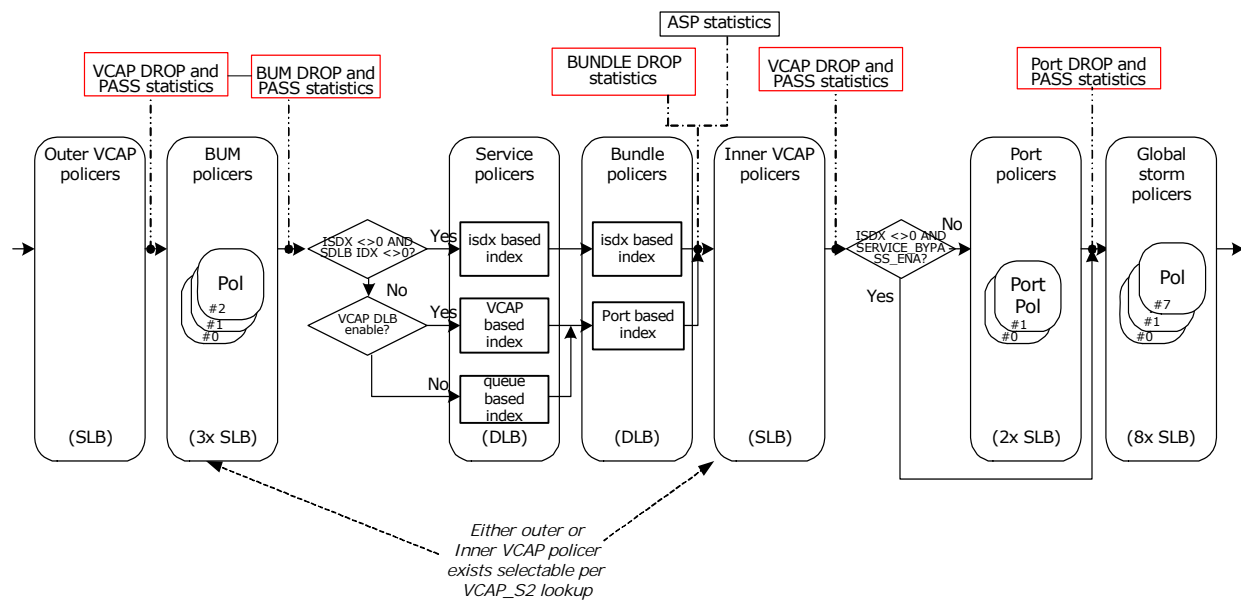
Table 128 • Policer Control Registers Overview (continued)

Target::Register.Field	Description	Replication
ANA_AC_POL::POL_STORM_CTRL	Configures storm policer's mode of operation.	8
ANA_AC_POL::POL_STORM_RATE_CFG	Configures storm policer's peak information rate	8
ANA_AC_POL::POL_STORM_THRES_CFG	Configures Storm policer's burst capacity.	8
ANA_AC_POL::POL_PORT_RATE_CFG	Configures port policer's peak information rate.	Per port per port policer
ANA_AC_POL::POL_PORT_THRES_CFG_0	Configures port policer's burst capacity.	Per port per port policer
ANA_AC_POL::POL_PORT_THRES_CFG_1	Configures port policer's hysteresis when used for flow control.	Per port per port policer
ANA_AC_POL:POL_PORT_CTRL:POL_PORT_CFG	Configures port policer's mode of operation.	Per port per port policer
ANA_AC_POL:POL_PORT_CTRL:POL_PORT_GAP	Configures port policer's gap value used to correct size per frame.	Per port
ANA_AC_POL::POL_PORT_FC_CFG	Configures port policer's flow control settings	Per port
ANA_AC_POL::POL_STICKY	Captures various policer events for diagnostic purposes.	1
ANA_AC_POL:COMMON_SDLB:DLB_CTRL	Configures common SDLB policer's mode of operation.	1
ANA_AC_POL:COMMON_SDLB:DLB_STICKY	Captures various SDLB policer events for diagnostic purposes.	1
ANA_AC_POL:SDLB:DLB_CFG	Configures SDLB policer's mode of operation.	Per SDLB
ANA_AC_POL:SDLB:LB_CFG	Configures SDLB policer's committed and peak leaky buckets	Per SDLB per leaky bucket

3.21.2.1 Policer Hierarchy

There are multiple levels of policing, which operate in configurable hierarchies, as shown in the following illustration.

Figure 36 • Policer Hierarchy



At most, each frame can see one ACL policer. ACL policing can occur as either outer or inner ACL-based. VCAP IS2 action IS_INNER_ACL allows ACL policing to occur before or after service DLB policing and service statistics.

The VCAP, port, broadcast/unicast/multicast (BUM), and storm policers are single leaky bucket (SLB) policers, whereas the service and bundle policers are MEF 10.2 compliant dual leaky bucket (DLB) policers.

The BUM policers group the leaky buckets into sets of three, covering broadcast, unicast, and multicast traffic.

The VCAP, port and storm policers are configurable in steps of 25,040 bits per second, with a minimum of 25,040 bits per second.

The BUM, service, and bundle policers can cover bandwidth in the interval between 0 Gbps and 32 Mbps, with 16 kbps granularity and between 0 Gbps and 10 Gbps with 8 Mbps granularity. The granularity scaling can be configured using the TIMESCALE_VAL configuration parameters.

The service policers can be used as queue policers for non-service traffic when ISDX is zero and ISDX_SDLB index is zero. The queue policer operation is controlled through ANA_L2:COMMON:FWD_CFG.QUEUE_DEFAULT_SDLB_ENA and ANA_L2:COMMON:PORT_DLB_CFG.QUEUE_DLB_IDX.

The bundle policers are only available for services. The index is controlled through ANA_L2:ISDX:MISC_CFG.BDLB_IDX. However, it is possible to use the bundle policers as port policers for non-service traffic when ISDX is zero. The port policer operation is controlled through ANA_L2:COMMON:FWD_CFG.PORT_DEFAULT_BDLB_ENA and ANA_L2:COMMON:PORT_DLB_CFG.PORT_DLB_IDX.

It is possible to specify a pipeline point for the service policers (ANA_L2:ISDX:MISC_CFG.PIPELINE_PT). This can be used to specify where in the processing flow BUM, SDLB, and BDLB policers are active (default set to NONE, which disables any pipeline effect).

The service statistics reflect the decisions made by the service policer. This implies that if a service policer marks a frame yellow, then the yellow service counter is incremented even though the frame might be discarded by one of the subsequent policers.

All policers can be configured to add between -64 and 63 bytes per frame to adjust the counted frame size for inter-frame gap and/or encapsulation.

3.21.2.2 Service and Bundle Dual Leaky Bucket (DLB) Policing

Each entry in the service dual leaky bucket (SDLB) and bundle dual leaky bucket (BDLB) tables contains the fields listed in the following table. In this section, “xDLB” is used to reference register groups for both service policers and bundle policers.

Table 129 • Service and Bundle Dual Leaky Bucket Table Entries

Field	Bits	Description
ANA_AC_POL:xDLB:DLB_CFG. TIMESCALE_VAL	2	Configures DLB policer granularity.
ANA_AC_POL:xDLB:DLB_CFG. COLOR_AWARE_LVL	2	Corresponds to MEF color mode. Specifies the highest DP level that is treated as green (that is, service frames with DP level above COLOR_AWARE_LVL are considered yellow). COLOR_AWARE_LVL == 3 correspond to color-blind.
ANA_AC_POL:xDLB:DLB_CFG. COUPLING_MODE	1	MEF Coupling Flag (CF). Depending on the setting of COUPLING_MODE, LB_CFG[0] and LB_CFG[1] must be configured as follows: If COUPLING_MODE = 0: LB_CFG[0].RATE_VAL must be configured to MEF CIR. LB_CFG[0].THRES_VAL must be configured to MEF CBS. LB_CFG[1].RATE_VAL must be configured to MEF EIR. LB_CFG[1].THRES_VAL must be configured to MEF EBS. If COUPLING_MODE = 1: LB_CFG[0].RATE_VAL must be configured to MEF CIR. LB_CFG[0].THRES_VAL must be configured to MEF CBS. LB_CFG[1].RATE_VAL must be configured to MEF EIR + MEF CIR. LB_CFG[1].THRES_VAL must be configured to MEF EBS + MEF CBS.
ANA_AC_POL:xDLB:DLB_CFG. CIR_INC_DP_VAL	2	Controls how much drop precedence (DP) is incremented for excess traffic.
ANA_AC_POL:xDLB:DLB_CFG. GAP_VAL	7	Configures the leaky bucket calculation to include or exclude preamble, inter-frame gap and optional encapsulation through configuration.
ANA_AC_POL:xDLB:LB_CFG[0] .THRES_VAL	7	Configures committed burst size (CBS).
ANA_AC_POL:xDLB:LB_CFG[1] .THRES_VAL	7	Configures DLB's second threshold. See COUPLING_MODE.
ANA_AC_POL:xDLB:LB_CFG[0] .RATE_VAL	11	Configures DLB's second rate. See COUPLING_MODE.

Each MEF DLB policer supports the following configurations.

- Two rates. Specified in 2,048 steps (ANA_AC_POL:xDLB:LB_CFG[0-1].RATE_VAL).
- Two burst sizes. Specified in steps of 2 kilobytes (up to 254 kilobytes) (ANA_AC_POL:xDLB:LB_CFG[0-1].THRES_VAL).
- Color mode: Color-blind or color-aware. Specifies a DP level to separate traffic as green or yellow (ANA_AC_POL:xDLB:DLB_CFG.COLOR_AWARE_LVL). Frames classified with REQ.DP below or equal to COLOR_AWARE_LVL are treated as green. Frames with REQ.DP above COLOR_AWARE_LVL are treated as yellow. A policer is color-blind if configured with a COLOR_AWARE_LVL of 3.
- Coupling flag. Coupled or uncoupled (ANA_AC_POL:xDLB:DLB_CFG.COUPLING_MODE).
- Change DP level. The increase to REQ.DP level when CIR rate is exceeded (ANA_AC_POL:xDLB:DLB_CFG.CIR_INC_DP_VAL).

In addition, the following parameters can also be configured per policer:

- Leaky bucket calculations can be configured to include or exclude preamble, inter-frame gap and an optional encapsulation (ANA_AC_POL:SDLB:DLB_CFG.GAP_VAL).
- Policers can be configured to police CPU traffic, front port forwarded traffic, or both (ANA_AC_POL:xDLB:DLB_CFG.TRAFFIC_TYPE_MASK).

The DLB policers must also be enabled in ANA_AC_POL:COMMON_xDLB:DLB_CTRL.LEAK_ENA and ANA_AC_POL:COMMON_xDLB:DLB_CTRL.DLB_ADD_ENA.

The DLB policer unit size can be adjusted (ANA_AC_POL:COMMON_xDLB:DLB_CTRL.BASE_TICK_CNT) to configure various base units (= smallest rate granularity).

The following DLB policer debug events are available:

- Dropping traffic due to DLB policer can be identified (ANA_AC_POL:POL_ALL_CFG:POL_STICKY.POL_DLB_DROP_STICKY).
- Traffic received without triggering CIR and PIR policing (ANA_AC_POL:COMMON_xDLB:DLB_STICKY.CIR_PIR_OPEN_STICKY).
- Committed information rate exceeded (ANA_AC_POL:COMMON_xDLB:DLB_STICKY.CIR_EXCEEDED_STICKY).
- Peak information rate exceeded (ANA_AC_POL:COMMON_xDLB:DLB_STICKY.PIR_EXCEEDED_STICKY).

3.21.2.3 BUM Policing

Each entry in the BUM single leaky bucket table contains the following fields.

Table 130 • BUM Single Leaky Bucket Table Entries

Field	Bits	Description
ANA_AC_POL:BUM_SLB:SLB_CFG.TIMESCALE_VAL	2	Configures policer rate granularity.
ANA_AC_POL:BUM_SLB:SLB_CFG.CIR_INC_DP_VAL	2	Controls how much drop precedence (DP) is incremented for excess traffic.
ANA_AC_POL:BUM_SLB:SLB_CFG.GAP_VAL	7	Configures the leaky bucket calculation to include or exclude preamble, inter-frame gap and optional encapsulation through configuration.
ANA_AC_POL:BUM_SLB:LB_CFG[2:0].THRES_VAL	3 x 7	Configures burst size.
ANA_AC_POL:BUM_SLB:LB_CFG[2:0].RATE_VAL	3 x 11	Configures rate.
ANA_AC_POL:BUM_SLB:SLB_CFG.ENCAP_DATA_DIS	1	Configures if stripped encapsulation data (normalized data) is policed by the policer.
ANA_AC_POL:BUM_SLB:MISC_CFG.FRAME_RATE_ENA	1	Configures frame rate operation.

The BUM policers are indexed through the VLAN table (ANA_L3:VLAN:BUM_CFG.BUM_SLB_IDX). This indexing can be overruled for services through the ISDX table (ANA_L2:ISDX:MISC_CFG.BUM_SLB_IDX and ANA_L2:ISDX:MISC_CFG.BUM_SLB_ENA).

Each BUM policer contains three leaky buckets. Rates and thresholds are configured through ANA_AC_POL:BUM_SLB:LB_CFG).

Traffic for the three BUM leaky buckets is configurable in ANA_AC_POL:COMMON_BUM_SLB:TRAFFIC_MASK_CFG. This provides a flexible allocation of traffic for the policers. For example, it is possible to have BUM configured as:

- Leaky bucket 0: Broadcast traffic (ANA_AC_POL:COMMON_BUM_SLB:TRAFFIC_MASK_CFG[0].TRAFFIC_TYPE_MASK = 1)
- Leaky bucket 1: Unknown unicast traffic (ANA_AC_POL:COMMON_BUM_SLB:TRAFFIC_MASK_CFG[1].TRAFFIC_TYPE_MASK = 4)

- Leaky bucket 2: Unknown multicast traffic
(ANA_AC_POL:COMMON BUM_SLB:TRAFFIC_MASK_CFG[2]. TRAFFIC_TYPE_MASK = 2)

BUM policers can be configured as frame-based policers
(ANA_AC_POL:BUM_SLB:MISC_CFG.FRAME_RATE_ENA).

The BUM statistics count on the following events (configured through
ANA_AC:STAT_GLOBAL_CFG BUM:STAT_GLOBAL_EVENT_MASK):

- Bit 0: Count Broadcast traffic discarded by BUM policer
- Bit 1: Count Multicast traffic discarded by BUM policer
- Bit 2: Count Unicast traffic discarded by BUM policer
- Bit 3: Count Broadcast traffic applicable for BUM policer, but not discarded
- Bit 4: Count Multicast traffic applicable for BUM policer, but not discarded
- Bit 5: Count Unicast traffic applicable for BUM policer, but not discarded.

3.21.2.4 ACL Policing

Each ACL policer entry contains the fields listed in the following table.

Table 131 • ACL Policer Table Entries

Field	Bits	Description
ACL_TRAFFIC_TYPE_MASK	2	Configures the traffic types to be taken into account by the policer.
FRAME_RATE_ENA	1	Configures frame rate mode for the ACL policer, where rates are measured in frames per second instead of bytes per second.
DP_BYPASS_LVL	2	Controls the lowest DP level that is taken into account. That is, traffic with DP_BYPASS_LVL below this value is ignored and not policed.
GAP_VALUE	7	Configures the leaky bucket calculation to include or exclude preamble, inter-frame gap, and optional encapsulation through configuration.
ACL_THRES	6	Configures ACL policer burst capacity.
ACL_RATE	17	Configures ACL policer rate.

At most, a frame can trigger one ACL policer. ACL policers are enabled by specifying a rate in ANA_AC_POL:POL_ALL_CFG:POL_ACL_RATE_CFG.ACL_RATE and also enabled by a VCAP IS2 hit. For more information, see [VCAP IS2](#), page 63.

The policer burst capacity can be specified with 4K granularity
(ANA_AC_POL:POL_ALL_CFG:POL_ACL_THRES_CFG.ACL_THRES).

The following parameters can also be configured per policer.

- The leaky bucket calculation can be configured to include or exclude preamble, inter-frame gap and an optional encapsulation (ANA_AC_POL:POL_ALL_CFG:POL_ACL_CTRL.GAP_VALUE).
- Traffic with DP level below a certain level can be configured to bypass the policers (ANA_AC_POL:POL_ALL_CFG:POL_ACL_CTRL.DP_BYPASS_LVL).
- Each policer can be configured to measure frame rates instead of bit rates (ANA_AC_POL:POL_ALL_CFG:POL_ACL_CTRL.FRAME_RATE_ENA).
- Each ACL policer can be configured to operate on frames towards CPU and/or front ports (ANA_AC_POL:POL_ALL_CFG:POL_ACL_CTRL.ACL_TRAFFIC_TYPE_MASK).

Traffic dropped by an ACL policer can be counted in the ACL statistics block and optionally also in the port statistic block. For more information, see [Analyzer Statistics](#), page 197.

The following ACL policer debug events are available:

- Bypass of policer due to pipeline handling can be identified
(ANA_AC_POL:POL_ALL_CFG:POL_STICKY.POL_ACL_PT_BYPASS_STICKY).
- Bypass of policer due to bypass level can be identified
(ANA_AC_POL:POL_ALL_CFG:POL_STICKY.POL_ACL_BYPASS_STICKY).

- Dropping of traffic due to ACL policer can be identified (ANA_AC_POL:POL_ALL_CFG:POL_STICKY:POL_ACL_DROP_STICKY).
- Policers that are active but not closed can be identified (ANA_AC_POL:POL_ALL_CFG:POL_STICKY:POL_ACL_ACTIVE_STICKY).

For example, to use ACL policers to limit traffic to CPU only, the following configuration is required:

- Set up a VCAP S2 rule to enable ACL policer 5.
- Configure ACL policer 5 to only allow 100 frames per second towards CPU: # the rate is 10 times the configured value ANA_AC_POL:POL_ALL_CFG:POL_ACL_RATE_CFG[5].ACL_RATE = 10
ANA_AC_POL:POL_ALL_CFG:POL_ACL_CTRL[5].FRAME_RATE_ENA = 1
- Do not accept burst: ANA_AC_POL:POL_ALL_CFG:POL_ACL_THRES_CFG[5].ACL_THRES = 0
- Only police traffic towards CPU:
ANA_AC_POL:POL_ALL_CFG:POL_ACL_CTRL[5].ACL_TRAFFIC_TYPE_MASK = 2

3.21.2.5 Priority Policing

The configuration parameters for priority policing are listed in the following table.

Table 132 • Priority Policer Table Entry

Field	Description
ANA_L2::FWD.QUEUE_DEFAULT_SDLB_ENA	Enables priority policers for non-service frames.
ANA_L2:PORT:PORT_DLB_CFG.QUEUE_DLB_IDX	Specifies which DLB policers are used for priority policing.

Non-service frames (which ISDX = 0 and ANA_L2:ISDX:DLB_CFG.DLB_IDX = 0) can use the service policers as priority policers. This is enabled in ANA_L2::FWD_CFG.QUEUE_DEFAULT_SDLB_ENA. The frame's ingress port and classified QoS class select the priority policer. The configuration of the priority policer follows the configuration of the service policers. For more information, see [Service and Bundle Dual Leaky Bucket \(DLB\) Policing](#), page 191.

Note that a DLB policer index enabled by VCAP IS2 action ACL_MAC[16] takes precedence over the priority policing. In that case the frame is policed by the VCAP selected policer and not the priority policer.

3.21.2.6 Port Policing

Each port policer entry contains the fields listed in the following table.

Table 133 • Port Policer Table Entry

Field	Bits	Description
TRAFFIC_TYPE_MASK	8	Configures the traffic types to be taken into account by the policer.
FRAME_RATE_ENA	1	Configures frame rate mode for the port policer, where rates are measured in frames per second instead of bytes per second.
LIMIT_NONCPU_TRAFFIC_ENA	1	Configures how policing affects traffic towards front ports.
LIMIT_CPU_TRAFFIC_ENA	1	Configures how policing affects traffic towards CPU.
CPU_QU_MASK	8	Configures policing of frames to the individual CPU queues for the port policer (see TRAFFIC_TYPE_MASK).
FC_ENA	1	Configures port policer to trigger flow control.
FC_STATE	1	Current flow control state.
DP_BYPASS_LVL	2	Controls the lowest DP level that is taken into account. That is, traffic with DP_BYPASS_LVL below this value is ignored and not policed.
GAP_VALUE	7	Configures the leaky bucket calculation to include or exclude preamble, inter-frame gap and optional encapsulation through configuration.
PORT_THRES0	6	Configures port policer burst capacity.

Table 133 • Port Policer Table Entry (continued)

Field	Bits	Description
PORT_THRES1	6	Configures port policer hysteresis size when a port policer is in flow control mode (see FC_ENA).
PORT_RATE	17	Configures port policer rate.

Frames applicable for policing are any frames received by the MAC and forwarded to the classifier. Short frames (less than 148 bytes) with errors, pause frames, or MAC control frames are not forwarded by the MAC and therefore not accounted for in the policers. That is, they are not policed and do not add to the rate measured by the policers.

Port policers are enabled by configuring the traffic type to be policed (ANA_AC_POL:POL_PORT_CTRL:POL_PORT_CFG.TRAFFIC_TYPE_MASK) and specifying a corresponding rate (ANA_AC_POL:POL_PORT_CFG:POL_PORT_RATE_CFG.PORT_RATE).

The policer burst capacity can be specified with 4K granularity (ANA_AC_POL:POL_PORT_CFG:POL_PORT_THRES_CFG_0.PORT_THRES0).

Policing of traffic destined for CPU port or ports can be controlled (in ANA_AC_POL:POL_PORT_CTRL:POL_PORT_CFG.TRAFFIC_TYPE_MASK(7) = 0 and CPU bypass mask in ANA_AC_POL:POL_PORT_CTRL:POL_PORT_CFG.CPU_QU_MASK).

Port policers can individually be configured to affect frames towards CPU ports (ANA_AC_POL:POL_PORT_CTRL:POL_PORT_CFG.LIMIT_CPU_TRAFFIC_ENA) or front ports (ANA_AC_POL:POL_PORT_CTRL:POL_PORT_CFG.LIMIT_NONCPU_TRAFFIC_ENA).

The port policers can be configured for either serial or parallel operation (ANA_AC_POL::POL_ALL_CFG.PORT_POL_IN_PARALLEL_ENA):

- Serial. The policers are checked one after another. If a policer is closed, the frame is discarded and the subsequent policer buckets are not updated with the frame.
- Parallel. The policers are working in parallel independently of each other. Each frame is added to a policer bucket if the policer is open, otherwise the frame is discarded. A frame may be added to one policer although another policer is closed.

The following parameters can also be configured per policer.

- The leaky bucket calculation can be configured to include or exclude preamble, inter-frame gap and an optional encapsulation (ANA_AC_POL:POL_PORT_CTRL:POL_PORT_CFG.GAP_VALUE).
- Each policer can be configured to measure frame rates instead of bit rates (ANA_AC_POL:POL_PORT_CTRL:POL_PORT_CFG.FRAME_RATE_ENA).
- Traffic with DP level below a certain level can be configured to bypass the policers (ANA_AC_POL:POL_PORT_CTRL:POL_PORT_CFG.DP_BYPASS_LVL).

By default, a policer discards frames (to the affected port type: CPU and/or front port or ports) while the policer is closed. A discarded frame is not forwarded to any ports (including the CPU).

However, each port policer has the option to run in flow control where the policer instead of discarding frames instructs the MAC to issue flow control pause frames (ANA_AC_POL:POL_ALL_CFG:POL_PORT_FC_CFG.FC_ENA). When operating in Flow control mode it is possible to specify a hysteresis, which controls when the policer can re-open after having closed (ANA_AC_POL:POL_PORT_CFG:POL_PORT_THRES_CFG_1.PORT_THRES1). The current flow control state is accessible (ANA_AC_POL:POL_ALL_CFG:POL_PORT_FC_CFG.FC_STATE).

Note: Flow control signaling out of ANA_AC must be enabled (ANA_AC_POL::POL_ALL_CFG.PORT_FC_ENA).

To improve fairness between small and large frames being policed by the same policer a hysteresis can be specified for drop mode (ANA_AC_POL:POL_PORT_CFG:POL_PORT_THRES_CFG_1.PORT_THRES1), which controls when the policer can re-open after having closed. By setting it to a value larger than the maximum transmission unit, it can be guaranteed that when the policer opens again, all frames have the same chance of being accepted.

Port policers can be configured operate on logical ports instead of physical ports (ANA_AC_POL::POL_ALL_CFG.LPORT_POLICE_ENA) and thereby allow policing of aggregated port bandwidth.

Traffic dropped by a policer can be counted by the port statistic block.

The following port policer debug events are available.

- Bypass of policer due to pipeline handling can be identified (ANA_AC_POL:POL_ALL_CFG:POL_STICKY.POL_PORT_PT_BYPASS_STICKY).
- Bypass of policer due to DP bypass level can be identified (ANA_AC_POL:POL_ALL_CFG:POL_STICKY.POL_PORT_BYPASS_STICKY).
- Dropping of traffic towards CPU due to policer can be identified (ANA_AC_POL:POL_ALL_CFG:POL_STICKY.POL_PORT_DROP_CPU_STICKY).
- Dropping of traffic towards front port due to policer can be identified (ANA_AC_POL:POL_ALL_CFG:POL_STICKY.POL_PORT_DROP_FWD_STICKY).
- Policers that are active, but not closed can be identified per policer (ANA_AC_POL:POL_ALL_CFG:POL_STICKY.POL_PORT_ACTIVE_STICKY).
- Policer triggering flow control can be identified (ANA_AC_POL:POL_ALL_CFG:POL_STICKY.POL_PORT_FC_STICKY).
- Policer leaving flow control state can be identified (ANA_AC_POL:POL_ALL_CFG:POL_STICKY.POL_PORT_FC_CLEAR_STICKY).

3.21.2.7 Storm Policing

Each storm policer entry contains the fields in the following table. The fields are all located within the ANA_AC_POL:POL_ALL_CFG register group.

Table 134 • Storm Policor Table Entry

Field	Bits	Description
STORM_TRAFFIC_TYPE_MASK	8	Configures the traffic types to be taken into account by the policer.
STORM_FRAME_RATE_ENA	1	Configures frame rate mode for the ACL policer, where rates are measured in frames per second instead of bytes per second.
STORM_LIMIT_NONCPU_TRAFFIC_ENA	1	Configures how policing affects traffic towards front ports.
STORM_LIMIT_CPU_TRAFFIC_ENA	1	Configures how policing affects traffic towards CPU.
STORM_CPU_QU_MASK	8	Configures policing of frames to the individual CPU queues for the port policer (see TRAFFIC_TYPE_MASK).
STORM_GAP_VALUE	7	Configures the leaky bucket calculation to include or exclude preamble, inter-frame gap and optional encapsulation through configuration
STORM_THRES	6	Configures storm policer burst capacity.
STORM_RATE	17	Configures storm policer rate.

Frames applicable for policing are any frame received by the MAC and forwarded to the classifier. Short frames (less than 148 bytes) with errors, pause frames, or MAC control frames are not forwarded by the MAC and therefore not accounted for in the policers. That is, they are not policed and do not add to the rate measured by the policers.

Storm policers are enabled by configuring the traffic type to be policed (POL_STORM_CTRL.STORM_TRAFFIC_TYPE_MASK) and specifying a corresponding rate (POL_STORM_RATE_CFG.STORM_RATE).

The policer burst capacity can be specified with 4K granularity (POL_STORM_THRES_CFG).

Policing of traffic destined for CPU port or ports can be controlled (POL_STORM_CTRL.STORM_TRAFFIC_TYPE_MASK(7) = 0 and CPU bypass mask in POL_STORM_CTRL.STORM_CPU_QU_MASK).

Storm policers can be configured individually to affect frames towards CPU ports (POL_STORM_CTRL.STORM_LIMIT_CPU_TRAFFIC_ENA) or front ports (POL_STORM_CTRL.STORM_LIMIT_NONCPU_TRAFFIC_ENA).

The following parameters can also be configured per policer.

- Leaky bucket calculation can be configured to include or exclude preamble, inter-frame gap, and an optional encapsulation (POL_ALL_CFG.STORM_GAP_VALUE).
- Each policer can be configured to measure frame rates instead of bit rates (POL_STORM_CTRL.STORM_FRAME_RATE_ENA).

Traffic dropped by a storm policer can be counted by the port statistic block.

The following storm policer debug events are available.

- Dropping of traffic towards CPU due to policer can be identified (POL_STICKY.POL_STORM_DROP_CPU_STICKY).
- Dropping of traffic towards front port due to policer can be identified (POL_STICKY.POL_STORM_DROP_FWD_STICKY).
- Policers that are active, but not closed, can be identified per policer (POL_STICKY.POL_STORM_ACTIVE_STICKY).

3.21.3 Analyzer Statistics

This section describes how to configure and collect statistics. There are six statistics counter blocks in the analyzer:

- Port statistics: Eight 40-bit counters are available for each port.
- Queue statistics: Two 40-bit counters are available for each queue.
- BUM policer statistics: Six 40-bit counters are available for each BUM policer.
- ACL policer statistics: Two 40-bit counters are available for each ACL policer.
- Ingress router leg statistics: Eight IPv4 40-bit counters and eight IPv6 40-bit counters are available for each ingress router leg.
- Egress router leg statistics: Eight IPv4 40-bit counters and eight IPv6 40-bit counters are available for each egress router leg.

Counters can be set up to count frames or bytes based on configurable criteria. This is described in the following sections.

3.21.3.1 Port Statistics

The following table lists the applicable port statistics registers.

Table 135 • Analyzer Port Statistics Register Overview

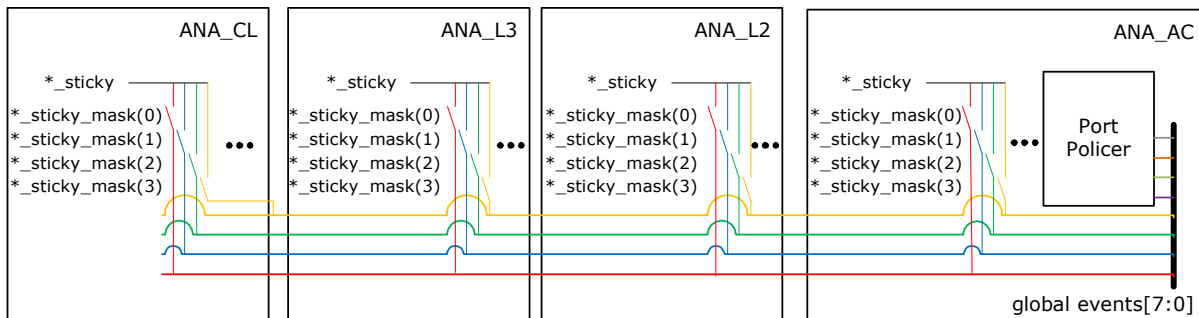
Target::Register.Field	Description	Replication
ANA_AC:STAT_GLOBAL_CFG_PORT. STAT_GLOBAL_EVENT_MASK	Configures global event mask per counter.	8
ANA_AC:STAT_GLOBAL_CFG_PORT:STAT_RESET .RESET	Initializes or resets all statistic counters and the sticky bits.	1
ANA_AC:STAT_CNT_CFG_PORT.STAT_CFG. CFG_PRIO_MASK	Configures counting of frames with certain priorities.	per port × 8
ANA_AC:STAT_CNT_CFG_PORT.STAT_CFG. CFG_CNT_FRM_TYPE	Configures the frame type to be counted.	per port × 8
ANA_AC:STAT_CNT_CFG_PORT.STAT_CFG. CFG_CNT_BYTE	Configures counting of bytes or frames.	per port × 8
ANA_AC:STAT_CNT_CFG_PORT.STAT_LSB_CNT	Least significant 32 bits.	per port × 8
ANA_AC:STAT_CNT_CFG_PORT.STAT_MSB_CNT	Most significant 8 bits.	per port × 8
ANA_AC:STAT_CNT_CFG_PORT.STAT_EVENTS_S TICKY	Sticky bits for counter events.	per port

The port statistics block allows counting of a wide variety of frame events. These are represented by a 12-bit event mask:

- Bits 0–3 represent any sticky bit contribution from preceding blocks in ANA.
- Bits 4–7 represent port policer events.
- Bits 8–11 represent storm and ACL policer events and loopback frames.

The propagation of the event mask from the preceding blocks in the analyzer to ANA_AC is shown in the following illustration, except for bits 8–11. See ANA_AC:STAT_GLOBAL_CFG_PORT:STAT_GLOBAL_EVENT_MASK.GLOBAL_EVENT_MASK.

Figure 37 • Sticky Events Available as Global Events

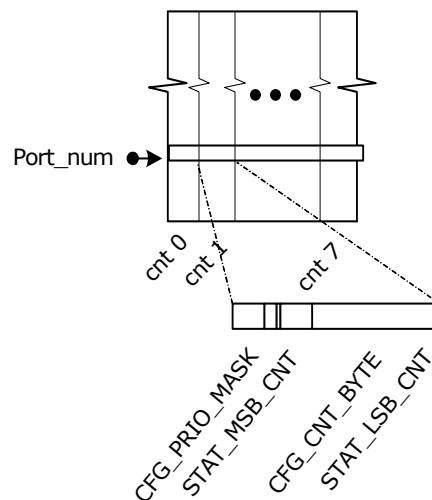


The global events [3:0] are typically allocated for detected control frames, frames dropped due to wrong configuration, frames dropped due to VLAN filtering, and so on.

As an example, a particular event that is normally only of interest during debug, ANA_L2: STICKY.VLAN_IGNORE_STICKY can be configured to be the global event 0 in ANA_L2:STICKY_MASK.VLAN_IGNORE_STICKY_MASK(0).

The following illustration shows the configuration and status available for each port statistics counter.

Figure 38 • Port Statistics Counters



Before the statistic counters can be used, they must be initialized to clear all counter values and sticky bits (ANA_AC:STAT_GLOBAL_CFG_PORT:STAT_RESET.RESET).

For each counter, the type of frames that are counted must be configured (ANA_AC:STAT_CNT_CFG_PORT:STAT_CFG.CFG_CNT_FRM_TYPE).

Note: Frames without any destination are seen by the port statistics block as aborted.

Each counter must be configured if bytes or frames are counted (ANA_AC:STAT_CNT_CFG_PORT:STAT_CFG.CFG_CNT_BYTE).

It is possible to limit counting to certain priorities (ANA_AC:STAT_CNT_CFG_PORT.STAT_CFG.CFG_PRIO_MASK).

Counter events that can trigger counting can be selected among the global events (ANA_AC:STAT_GLOBAL_CFG_PORT.STAT_GLOBAL_EVENT_MASK). There is one common event mask for each of the four counter sets.

Each 40-bit counter consists of an MSB part and an LSB part (ANA_AC:STAT_CNT_CFG_PORT.STAT_MSB_CNT and ANA_AC:STAT_CNT_CFG_PORT.STAT_LSB_CNT). The MSB part of the counter is latched to a shadow register when the LSB part is read. As a result, the LSB part must always be read first, and the MSB part must be read immediately after the LSB part. When writing to the counter, the LSB part must be written first, followed by the MSB part.

The following pseudo code shows the port statistics functionality.

```

for (port_counter_idx = 0; port_counter_idx < 8; port_counter_idx++) {
    if
    (STAT_CNT_CFG_PORT[frame.igr_port].STAT_CFG[port_counter_idx].CFG_PRIO_MASK[
frame.prio]) {
        count = FALSE;
        global_event_mask =
STAT_GLOBAL_EVENT_MASK[port_counter_idx].GLOBAL_EVENT_MASK;
        event_match = (STAT_GLOBAL_EVENT_MASK[port_counter_idx].GLOBAL_EVENT_MASK &
frame.event_mask);

        switch
        (STAT_CNT_CFG_PORT[frame.igr_port].STAT_CFG[port_counter_idx].CFG_CNT_FRM_TY
PE) {
            case 0x0:
                if (!frame.error && !event_match) count = 1;
                break;
            case 0x1:
                if (!frame.error && event_match) count = 1;
                break;
            case 0x2:
                if (frame.error && event_match) count = 1;
                break;
            case 0x3:
                if (event_match) count = 1;
                break;
            case 0x4:
                if (frame.error && !event_match) count = 1;
                break;
            case 0x5:
                if (frame.error) count = 1;
                break;
        }

        if (count) {
            if
            (STAT_CNT_CFG_PORT[frame.igr_port].STAT_CFG[port_counter_idx].CFG_CNT_BYTE) {
                STAT_xSB_CNT[port_counter_idx] += frame.bytes;
            } else {
                STAT_xSB_CNT[port_counter_idx]++;
            }
        }
    }
}

```

Example: To set up port counter 3 to count bytes filtered by VLAN ingress filter, the following configuration is required.

- Enable VLAN drop events as global event 3:
Set ANA_L3:L3_STICKY_MASK:VLAN_MSTP_STICKY_MASK[3].VLAN_IGR_FILTER_STICKY_MASK = 1.
- Initialize counters:
Set ANA_AC:STAT_GLOBAL_CFG_PORT:STAT_RESET.RESET = 1.
- Set up port counters. For each active Ethernet port:
Set ANA_AC:STAT_CNT_CFG_PORT[port].STAT_CFG[3].CFG_CNT_FRM_TYPE = 3.
Set ANA_AC:STAT_CNT_CFG_PORT[port].STAT_CFG[3].CFG_CNT_BYTE = 1.
Set ANA_AC:STAT_CNT_CFG_PORT[port].STAT_CFG[3].CFG_PRIO_MASK = 0xFF.
- Enable global event 3 as trigger:
Set ANA_AC:STAT_GLOBAL_CFG_PORT[3].STAT_GLOBAL_EVENT_MASK = 8.

Example: To set up port counter 0 to count frames dropped by port policer, the following configuration is required.

- Set up port counters. For each active Ethernet port:
Set ANA_AC:STAT_CNT_CFG_PORT[port].STAT_CFG[0].CFG_CNT_FRM_TYPE = 3.
Set ANA_AC:STAT_CNT_CFG_PORT[port].STAT_CFG[0].CFG_CNT_BYTE = 0.
Set ANA_AC:STAT_CNT_CFG_PORT[port].STAT_CFG[0].CFG_PRIO_MASK = 0xFF.
- Enable global event 4 to 7 as trigger:
Set ANA_AC:STAT_GLOBAL_CFG_PORT[0].STAT_GLOBAL_EVENT_MASK = 0xF0.

3.21.3.2 Queue Statistics

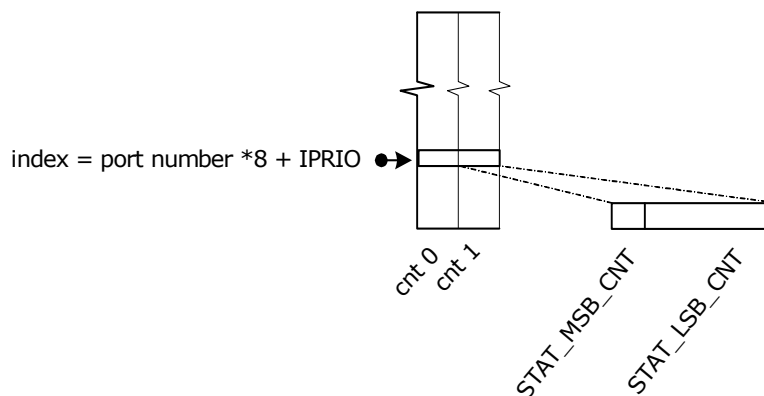
The following table lists the applicable queue statistics registers.

Table 136 • Queue Statistics Registers Overview

Target::Register.Field	Description	Replication
ANA_AC:STAT_GLOBAL_CFG_QUEUE:STAT_GLOBAL_CFG	Configures counting of bytes or frames per queue (= port × 8 + iprio).	2
ANA_AC:STAT_GLOBAL_CFG_QUEUE:STAT_GLOBAL_EVENT_MASK	Configures global event mask per queue (= port × 8 + iprio).	2
ANA_AC:STAT_CNT_CFG_QUEUE.STAT_LSB_CNT	Least significant 32 bits of counters per queue.	per queue × 2
ANA_AC:STAT_CNT_CFG_QUEUE.STAT_MSB_CNT	Most significant 8 bits of counters per queue.	per queue × 2

The following illustration shows the configuration and status available for each queue statistics counter.

Figure 39 • Queue Statistics



Each counter type must be configured to count either bytes or frames (ANA_AC:STAT_GLOBAL_CFG_QUEUE:STAT_GLOBAL_CFG.CFG_CNT_BYTE).

ACL events that can trigger counting can be selected among the following events:

- Count traffic applicable for queue policer, but not discarded
- Count traffic discarded by queue policer

There is one common event mask for each of the two queue counter types (ANA_AC:STAT_GLOBAL_CFG_QUEUE:STAT_GLOBAL_EVENT_MASK).

Each 40-bit counter consists of an MSB part and an LSB part (ANA_AC:STAT_CNT_CFG_QUEUE.STAT_MSB_CNT and ANA_AC:STAT_CNT_CFG_QUEUE.STAT_LSB_CNT). The MSB part of the counter is latched to a shadow register, when the LSB part is read. As a result, the LSB part must always be read first, and the MSB part must be read immediately after the LSB part. When writing to the counter, the MSB part must be written first, followed by the LSB part.

3.21.3.3 Broadcast, Unicast, Multicast (BUM) Policer Statistics

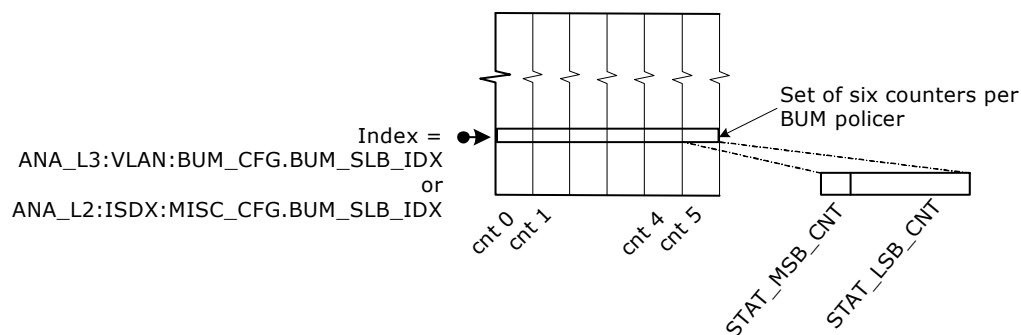
The following table lists the applicable BUM policer statistics registers.

Table 137 • BUM Policer Statistics Registers Overview

Target::Register.Field	Description	Replication
ANA_AC:STAT_GLOBAL_CFG_BUM:STAT_GLOBAL_CFG	Configures counting bytes or frames per BUM policer index.	2
ANA_AC:STAT_GLOBAL_CFG_BUM:STAT_GLOBAL_EVENT_MASK	Configures global event mask per BUM policer index.	2
ANA_AC:STAT_CNT_CFG_BUM.STAT_LSB_CNT	Least significant 32 bits of counters per BUM policer index.	per BUM policer index × 2
ANA_AC:STAT_CNT_CFG_BUM.STAT_MSB_CNT	Most significant 8 bits of counters per BUM policer index.	per BUM policer index × 2

The following illustration shows the configuration and status available for each BUM policer.

Figure 40 • BUM Policer Statistics



Each of the two counters in a counter set can be configured to which frames are counted and whether bytes or frames are counted. This configuration is shared among all counter sets.

The BUM event mask supports counting the following frame types:

- Broadcast traffic discarded by BUM policer
- Multicast traffic discarded by BUM policer
- Unicast traffic discarded by BUM policer
- Broadcast traffic applicable for BUM policer, but not discarded
- Multicast traffic applicable for BUM policer, but not discarded
- Unicast traffic applicable for BUM policer, but not discarded

The event mask is configured in ANA_AC:STAT_GLOBAL_CFG_BUM:STAT_GLOBAL_EVENT_MASK.

Each 40-bit counter consists of an MSB part and an LSB part (ANA_AC:STAT_CNT_CFG_BUM.STAT_MSB_CNT and ANA_AC:STAT_CNT_CFG_BUM.STAT_LSB_CNT). The MSB part of the counter is latched to a shadow register when the LSB part is read. As a result, the LSB part must always be read first, and the MSB part must be read immediately after the LSB part. When writing to the counter, the MSB part must be written first, followed by the LSB part.

3.21.3.4 ACL Policer Statistics

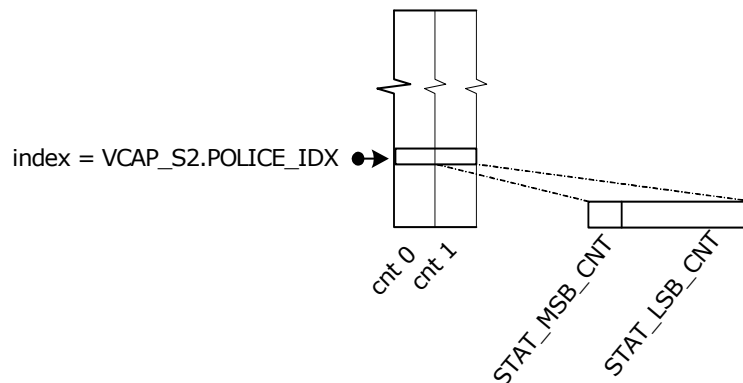
The following table lists the applicable ACL policer statistics registers.

Table 138 • ACL Policer Statistics Registers Overview

Target::Register.Field	Description	Replication
ANA_AC:STAT_GLOBAL_CFG_ACL:STAT_GLOBAL_CFG	Configures counting of bytes or frames per ACL policer index.	2
ANA_AC:STAT_GLOBAL_CFG_ACL:STAT_GLOBAL_EVENT_MASK	Configures global event mask per ACL policer index.	2
ANA_AC:STAT_CNT_CFG_ACL.STAT_LSB_CNT	Least significant 32 bits of counters per ACL policer index.	per ACL policer index × 2
ANA_AC:STAT_CNT_CFG_ACL.STAT_MSB_CNT	Most significant 8 bits of counters per ACL policer index.	per ACL policer index × 2

The following illustration shows the configuration and status available for each ACL policer statistics counter.

Figure 41 • ACL Policer Statistics



Each counter type must be configured whether bytes or frames are counted (ANA_AC:STAT_GLOBAL_CFG_ACL:STAT_GLOBAL_CFG.CFG_CNT_BYTE).

ACL events that can trigger counting can be selected among the following events. ACL events that can trigger counting can be selected among the following events. If an ACL policer is triggered by an IS2 action, with IS_INNER_ACL = 1, it is termed “inner”. Otherwise, it is termed “outer”.

- Count CPU traffic applicable for outer ACL policer, but not discarded
- Count front port traffic applicable for outer ACL policer, but not discarded
- Count CPU traffic discarded by outer ACL policer
- Count front port traffic discarded by outer ACL policer
- Count CPU traffic applicable for inner ACL policer, but not discarded
- Count front port traffic applicable for inner ACL policer, but not discarded
- Count CPU traffic discarded by inner ACL policer
- Count front port traffic discarded by inner ACL policer

There is one common event mask for each of the two ACL policer counter types (ANA_AC:STAT_GLOBAL_CFG_ACL:STAT_GLOBAL_EVENT_MASK).

Each 40-bit counter consists of an MSB part and an LSB part (ANA_AC:STAT_CNT_CFG_ACL.STAT_MSB_CNT and ANA_AC:STAT_CNT_CFG_ACL.STAT_LSB_CNT). The MSB part of the counter is latched to a shadow register when the LSB part is read. As a result, the LSB part must always be read first, and the MSB part must be read immediately after the LSB part. When writing to the counter, the MSB part must be written first, followed by the LSB part.

3.21.3.5 Routing Statistics

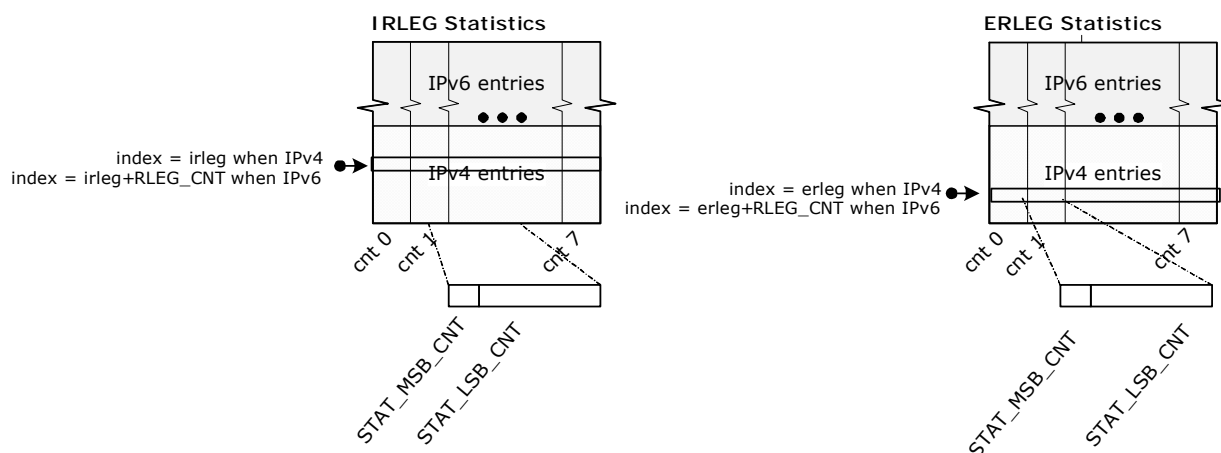
The following table lists the applicable routing statistics registers.

Table 139 • Analyzer Routing Statistics Registers Overview

Target::Register.Field	Description	Replication
ANA_AC:STAT_GLOBAL_CFG_IRLEG:STAT_GLOBAL_CFG	Configures counting of bytes or frames per ingress router leg counter.	8
ANA_AC:STAT_GLOBAL_CFG_IRLEG:STAT_GLOBAL_EVENT_MASK	Configures global event mask per ingress router leg counter.	8
ANA_AC:STAT_CNT_CFG_IRLEG.STAT_LSB_CNT	Least significant 32 bits of ingress router leg counters.	Per RLEG per IP_version × 8
ANA_AC:STAT_CNT_CFG_IRLEG.STAT_MSB_CNT	Most significant 8 bits of ingress router leg counters.	Per RLEG per IP_version × 8
ANA_AC:STAT_GLOBAL_CFG_ERLEG:STAT_GLOBAL_CFG	Configures counting of bytes or frames per egress router leg counter.	8
ANA_AC:STAT_GLOBAL_CFG_ERLEG:STAT_GLOBAL_EVENT_MASK	Configures global event mask per egress router leg counter.	8
ANA_AC:STAT_CNT_CFG_ERLEG.STAT_LSB_CNT	Least significant 32 bits of egress router leg counters.	Per RLEG per IP_version × 8
ANA_AC:STAT_CNT_CFG_ERLEG.STAT_MSB_CNT	Most significant 8 bits of egress router leg counters.	Per RLEG per IP_version × 8

The following illustration shows the configuration and status available for ingress router leg and egress router leg statistics counter sets. For these devices, RLEG_CNT is 128.

Figure 42 • Ingress and Egress Routing Statistics per Router Leg per IP Version



Each counter type must be configured to count either bytes or frames.
 (ANA_AC:STAT_GLOBAL_CFG_IRLEG:STAT_GLOBAL_CFG.CFG_CNT_BYTE and
 ANA_AC:STAT_GLOBAL_CFG_ERLEG:STAT_GLOBAL_CFG.CFG_CNT_BYTE)

Ingress router leg counter events that can trigger counting can be selected among the following events:

- `acl_discarded` - frame applicable for routing but discarded due to VCAP IS2 ingress discard action (first VCAP IS2 lookup with action `RT_ENA` cleared).
- received IP unicast traffic - frame applicable for routing (hitting a router leg).
- received IP multicast traffic - frame applicable for routing (hitting a router leg).
- `unicast_routed` - frame is unicast routed.
- `multicast_routed` - frame is multicast routed
- `ip_multicast_rpf_discarded` - frame discarded due to failed Reverse Path Forwarding check (frame not received from configured interface)
- `ip_TTL_discarded` - frame discarded due to TTL <2.

There is one common event mask for each of the eight IRLEG counter types (`ANA_AC:STAT_GLOBAL_CFG_IRLEG:STAT_GLOBAL_EVENT_MASK`).

Egress router leg counter events that can trigger counting can be selected among the following events:

- `acl_discarded` - frame applicable for routing but discarded due to VCAP IS2 egress discard action (second VCAP IS2 lookup with action `RT_ENA` cleared).
- `unicast_routed` traffic - frame is unicast routed.
- `multicast_routed` traffic - frame is multicast routed.
- `ip_multicast_switched` traffic - frame is bridged within ingress VLAN.
- `ip_multicast_TTL_discarded` - frame discarded due to TTL less than ERLEG configured TTL value.

There is a common event mask for each of the eight ERLEG counter types (`ANA_AC:STAT_GLOBAL_CFG_ERLEG:STAT_GLOBAL_EVENT_MASK`).

Each 40-bit counter consists of an MSB part (`ANA_AC:STAT_CNT_CFG_IRLEG.STAT_MSB_CNT` or `ANA_AC:STAT_CNT_CFG_ERLEG.STAT_MSB_CNT`) and an LSB part (`ANA_AC:STAT_CNT_CFG_IRLEG.STAT_LSB_CNT` or `ANA_AC:STAT_CNT_CFG_ERLEG.STAT_LSB_CNT`). The MSB part of the counter is latched to a shadow register when the LSB part is read. As a result, the LSB part must always be read first, and the MSB part must be read immediately after the LSB part. When writing to the counter, MSB part must be written first.

3.21.4 Analyzer sFlow Sampling

This section describes sFlow sampling. The applicable registers are listed in the following table.

Table 140 • Analyzer sFlow Registers Overview

Target::Register.Field	Description	Replication
<code>ANA_AC::PS_COMMON_CFG.SFLOW_ENA</code>	Controls sFlow operation.	1
<code>ANA_AC::PS_COMMON_CFG.SFLOW_SMPL_ID_IN_STAMP_ENA</code>	Configures sFlow sampler ID (port number) as part of stamp sent to CPU.	1
<code>ANA_AC::SFLOW_CFG.SFLOW_CPU_QU</code>	Configures CPU extraction queue for sFlow sampled frames.	1
<code>ANA_AC::SFLOW_CTRL</code>	Configures sFlow samplers (rate and type).	Per port
<code>ANA_AC::SFLOW_CNT</code>	Current sFlow sampler count values.	Per port
<code>ANA_AC:PS_STICKY:STICKY</code>	Various sticky debug events.	1
<code>ANA_AC:PS_STICKY_MASK:STICKY_MASK</code>	Mask to allow debug events to be counted in port stat block.	1

sFlow is a standard for monitoring-high speed switched networks through statistical sampling of incoming and outgoing frames. Each port in the devices can be set up as an sFlow agent monitoring the particular link and generating sFlow data. If a frame is sFlow sampled, it is copied to the sFlow CPU extraction queue (`ANA_AC::SFLOW_CFG.SFLOW_CPU_QU`).

An sFlow agent is configured through `ANA_AC::SFLOW_CFG` with the following options:

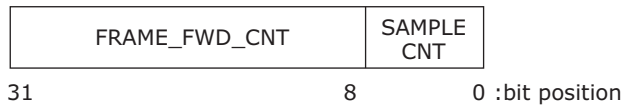
- SFLOW_SAMPLE_RATE specifies the probability that the sampler copies a frame to the CPU. Each frame being candidate for the sampler has the same probability of being sampled. The probability is set in steps of 1/32768.
- SFLOW_DIR_SEL(0) enables incoming frames on the port as candidates for the sampler.
- SFLOW_DIR_SEL(1) enables outgoing frames on the port as candidates for the sampler. When Tx sampling is used, the Sample ID must be set in the sFlow stamp to enable the CPU to determine the sFlow sampler sampled by the frame (ANA_AC::PS_COMMON_CFG.SFLOW_SMPLE_ID_IN_STAMP_ENA).

Rx and Tx sampling can be enabled independently. If both are enabled, all incoming and outgoing traffic on the port is subject to the statistical sampling given by the rate in SFLOW_SAMPLE_RATE.

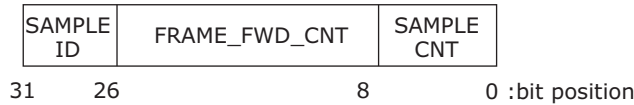
sFlow sample candidate sent to the CPU is sent with IFH.FWD.SFLOW_MARKING set and with FCS updated as shown in the following illustration.

Figure 43 • sFlow Stamp Format in FCS

Without sample ID in stamp



With sample ID in stamp



SAMPLE_CNT is incremented for each sample sent to CPU by the sFlow sampler.

FRAME_FWD_CNT is incremented whenever the frames are applicable for an sFlow sampler.

A variety of sticky events allows debug of the sFlow setup. These events can furthermore be counted in the port statistics block by enabling the corresponding *_MASK. The following events are reported (in ANA_AC:PS_STICKY:STICKY):

- sFlow candidate was found (ANA_AC:PS_STICKY:STICKY.SFLOW_CAND_STICKY).
- sFlow source sample was sent to CPU (ANA_AC:PS_STICKY:STICKY.SFLOW_SRC_SAMPLE_STICKY).
- sFlow destination sample was sent to CPU (ANA_AC:PS_STICKY:STICKY.SFLOW_DST_SAMPLE_STICKY).

Current sample count and sample candidate count numbers are available (ANA_AC::SFLOW_CNT.SFLOW_SAMPLE_CNT and ANA_AC::SFLOW_CNT.SFLOW_FRAME_FWD_CNT).

These events can all be counted in the statistics block by enabling the corresponding *STICKY_MASK found in register group ANA_AC:PS_STICKY_MASK:STICKY_MASK[x]. (ANA_AC:PS_STICKY_MASK:STICKY_MASK.SFLOW_CAND_STICKY_MASK, ANA_AC:PS_STICKY_MASK:STICKY_MASK.SFLOW_DST_SAMPLE_STICKY_MASK, ANA_AC:PS_STICKY_MASK:STICKY_MASK.SFLOW_SRC_SAMPLE_STICKY_MASK and ANA_AC:PS_STICKY_MASK:STICKY_MASK.SFLOW_SAMPLE_STICKY_MASK).

3.21.5 Mirroring

This section describes how to configure mirroring. The following table lists the applicable registers.

Table 141 • ANA_AC Mirror Registers Overview

Target::Register.Field	Description	Replication
ANA_AC:MIRROR_PROBE:PROBE_CFG.PROBE_DIRECTION	Configures whether to probe ingress traffic, egress traffic, or both.	3

Table 141 • ANA_AC Mirror Registers Overview (continued)

Target::Register.Field	Description	Replication
ANA_AC:MIRROR_PROBE:PROBE_CFG.PROBE_MAC_MODE	Configures MAC address filtering i.e. only traffic to and/or from hosts known in to MAC table with the mirror bit set are mirrored.	3
ANA_AC:MIRROR_PROBE:PROBE_CFG.PROBE_VLAN_MODE	Configures VLAN filtering. That is, only traffic with a specific VID or with VLAN entry mirror bit set are mirrored.	3
ANA_AC:MIRROR_PROBE:PROBE_CFG.PROBE_VID	Configures VID when PROBE_VLAN_MODE is set to probe VID.	3
ANA_AC:MIRROR_PROBE:PROBE_CFG.PROBE_CPU_SET	Configures mirroring of traffic to specific CPU ports.	3
ANA_AC:MIRROR_PROBE:PROBE_CFG.PROBE_PHYS_RX_PORT	Configures if Rx mirroring mirrors physical or masqueraded port.	3
ANA_AC:MIRROR_PROBE:PROBE_CFG.PROBE_RX_CPU_AND_VD	Configures Rx mirror mask for CPU ports and VD ports.	3
ANA_AC:MIRROR_PROBE:PROBE_PORT_CFG	Configures mirroring of the ingress ports for PROBE_DIRECTION = RX_MIRROR and/or the set of egress ports for PROBE_DIRECTION = TX_MIRROR.	3
ANA_AC:MIRROR_PROBE:PROBE_PORT_CFG1	See PROBE_PORT_CFG.	3
QFWD:SYSTEM:FRAME_COPY_CFG[9-11]	Configures forwarding options per probe.	3

To debug network problems, selected traffic can be mirrored using configurable probes, to a mirror port where a frame analyzer can be attached to analyze the frame flow.

The devices have three independent mirroring probes. Each probe can be configured with a separate set of filtering conditions that must be fulfilled before traffic is mirrored. If multiple filtering conditions are enabled for a given probe they must all be fulfilled before mirroring occurs. For example, mirror probe 1 can be set up to only Rx mirror traffic from a given host in a specific VLAN, whereas probe 2 can be set up to mirror frames matching criteria in VCAP IS2. If a frame is mirrored by more than one mirror probe, the highest numbered probe is selected. This implies that only one mirror copy is made per frame, even if multiple probes are active.

The following traffic mirror conditions can be configured per probe:

- All frames received on a given port, also known as ingress mirroring (enabled in ANA_AC:MIRROR_PROBE[x].PROBE_CFG.PROBE_DIRECTION(1) = 1 and ports to be RX mirrored set in ANA_AC:MIRROR_PROBE[x].PROBE_PORT_CFG)
- All frames transmitted on a given port, also known as egress mirroring (enabled in ANA_AC:MIRROR_PROBE[x].PROBE_CFG.PROBE_DIRECTION(0) = 1 and ports to be TX mirrored set in ANA_AC:MIRROR_PROBE[x].PROBE_PORT_CFG)
- All frames sent to a specific CPU port (may be useful for software debugging) (enabled in ANA_AC:MIRROR_PROBE[x].PROBE_CFG.PROBE_DIRECTION(0) = 1 and CPU ports to be mirrored set in ANA_AC:MIRROR_PROBE[x].PROBE_CFG.PROBE_CPU_SET)
- All frames classified to a specific VID (enabled in ANA_AC:MIRROR_PROBE[x].PROBE_CFG.PROBE_VLAN_MODE == 2 and VID set in ANA_AC:MIRROR_PROBE[x].PROBE_CFG.PROBE_VID)
- All frames classified to VLANs with VLAN->VLAN_MIRROR_ENA set (enabled in ANA_AC:MIRROR_PROBE[x].PROBE_CFG.PROBE_VLAN_MODE == 1).
- All frames received from a known station with MAC->MIRROR set (enabled in ANA_AC:MIRROR_PROBE[x].PROBE_CFG.PROBE_MAC_MODE(1) = 1).
- All frames sent to a known station with MAC->MIRROR set (enabled in ANA_AC:MIRROR_PROBE[x].PROBE_CFG.PROBE_MAC_MODE(0) = 1). This can also be flooded traffic (enabled via ANA_L2::FWD_CFG.FLOOD_MIRROR_ENA).

- Frames selected through configured VCAP entries (enabled by VCAP IS2 action MIRROR_PROBE). For such frames, the only other applicable mirror criteria is PROBE_DIRECTION.
- All frames received from CPU, also known as CPU ingress mirroring (enabled in ANA_AC:MIRROR_PROBE[x].PROBE_CFG.PROBE_DIRECTION(1) = 1 and CPU ports to be RX mirrored set in ANA_AC:MIRROR_PROBE[x].PROBE_RX_CPU_AND_VD).

The mirror port configured per probe (QFWD:SYSTEM:FRAME_COPY_CFG[8-11]) can be any port on the device, including the CPU.

Rx-mirrored traffic sent to the mirror port is sent as received optionally with an additional Q-tag (enabled in REW::MIRROR_PROBE_CFG.REMOTE_MIRROR_CFG).

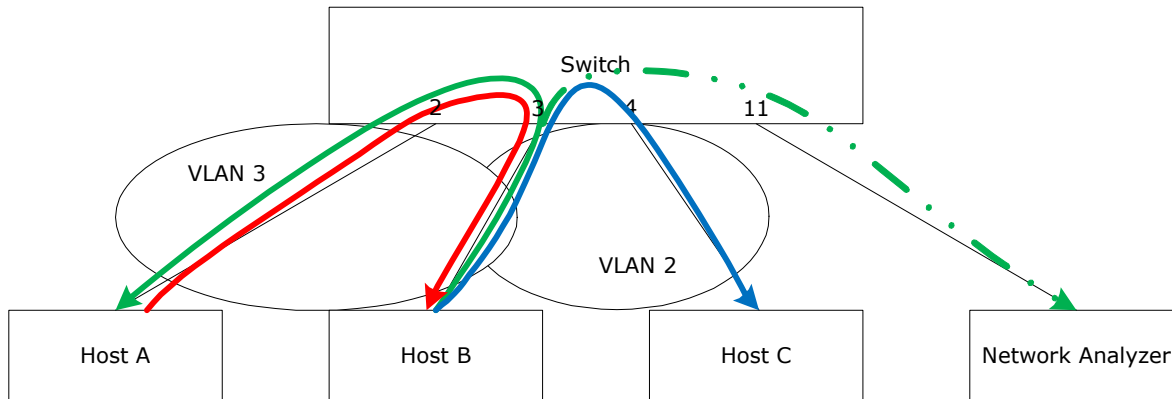
Tx-mirrored traffic sent to the mirror port is modified according to a configured Tx port (REW:COMMON:MIRROR_PROBE_CFG.MIRROR_TX_PORT) optionally with an additional Q-tag (enabled in REW::MIRROR_PROBE_CFG.REMOTE_MIRROR_CFG).

For information about possible rewriter options for mirrored frames, see [Mirror Frames](#), page 268.

Example: Ingress port mirroring in specific VLAN

All traffic only in VLAN 3 from host B on port 3 (the probe port) is mirrored to port 11 (the mirror port) using probe 1, as shown in the following illustration.

Figure 44 • Ingress Mirroring in Specific VLAN



The following configuration is required:

- Enable RX mirroring on port 3:
ANA_AC:MIRROR_PROBE[1].PROBE_CFG.PROBE_DIRECTION = 2 (= Rx only)
ANA_AC:MIRROR_PROBE[1].PROBE_PORT_CFG = 0x8 (port 3)
- Enable VID filtering: ANA_AC:MIRROR_PROBE[1].PROBE_CFG.PROBE_VLAN_MODE = 2 and ANA_AC:MIRROR_PROBE[1].PROBE_CFG.PROBE_VID = 3

3.22 Shared Queue System and Hierarchical Scheduler

The devices include a shared queue system with a per-port ingress queue and 27,328 shared egress queues. The shared queue system has 32 megabits of buffer (16 megabits in VSC7442-02 and VSC7444-02). It receives frames from 57 ports, stores them in a shared packet memory, and transmits them towards 57 destination ports. The first 53 of the ports are assigned directly to a specific front port, whereas the last four ports are internal ports.

Table 142 • Port Definitions in Shared Queue System

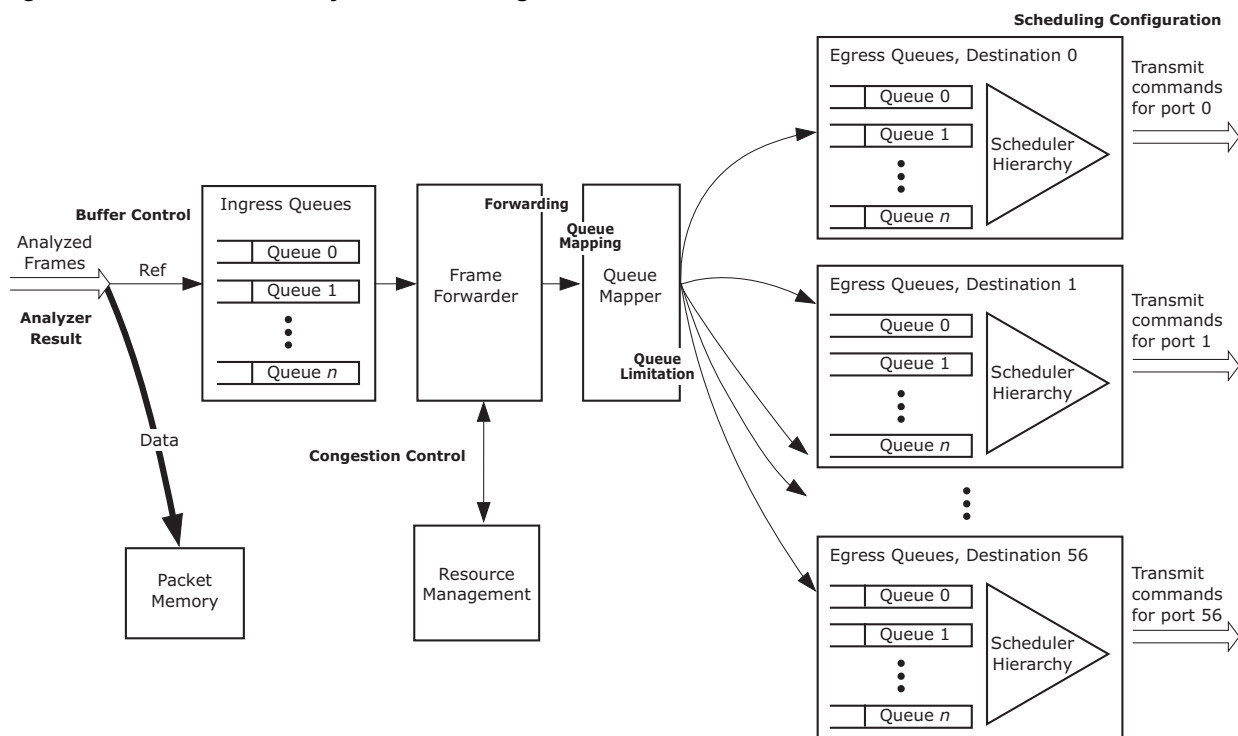
Ports	Connection
0–48	Front port, maximum bandwidth is 1 Gbps or 2.5 Gbps.
49–52	Front port, maximum bandwidth is 10 Gbps.

Table 142 • Port Definitions in Shared Queue System (continued)

Ports	Connection
53–54	Frame injection and extraction CPU ports. The CPU connects these ports to DMA logic or a register interface.
55	IP multicast loopback port (VD0). Egress: When the queue system is requested to transmit to VD0, it generates multiple copies. All copies are, outside the queue system, looped back into the analyzer. The rewriter changes the ingress port number to VD0 before the loop. The analyzer generates a routed version of each of the frame copies coming from port VD0.
56	AFI loopback port (VD1). When the queue system is requested to send to VD1, it sends the request to the AFI. The AFI stores the request and can be configured to transmit the frame to any port in a programmed schedule. The AFI can transmit the frame to any of the egress ports. If VD1 is selected as destination by the AFI, the frame is looped back into the analyzer.

The following illustration provides an overview of shared queue system.

Figure 45 • Shared Queue System Block Diagram



Frames are stored in the packet memory and linked into the ingress queue for the logical source port along with the analyzer result.

The analyzer result is then processed by a frame forwarder, frame by frame. Each of the frame transmission requests are added to an egress queue in the queue system attached to a specific egress port. A transmission request can be a normal switching request to another port, a mirror copy, for stacking updates, and for a CPU connected to one of the egress ports. For VD0, it can do multiple copies of the request. The frame forwarder can also request that a specific frame copy be discarded.

The frame forwarder is efficient, because only frame references are switched, giving a forwarding bandwidth in the range of 100 Gbps (88byte frames) to 3 terabits (Tbps) (1,518 byte frames). The frame data itself is not moved within the queue system.

The forwarding request is passed through a queue mapper, which then selects an egress queue based on the classified properties of the frame. For example, a simple switch may use the classified QoS class only and an advanced carrier switch may use MPLS-classified traffic class (TC).

A congestion control system can decide to discard some or all copies of the frame. This decision is based on consumption per QoS level. The queue mapper can be configured to change the drop decision using a congestion control mechanism based on queue sizes rather than only QoS class.

Each destination port has a part of the total shared queue pool attached. Transmission is scheduled towards the destination ports through a hierarchical scheduling system, where all queues belonging to each port are arbitrated. On the way out, frames pass through the rewriter where the frame data can be modified due to, for instance, routing, MPLS encapsulation, or tagging. The queue system does not change the original frame data.

An ingress port operates in one of three basic modes: drop mode, port flow control, or priority-based flow control. The following table lists the modes and flow definitions.

Table 143 • Ingress Port Modes

Mode	Flow
Drop mode (DROP)	The link partner is unaware of congestion and all frames received by the port are evaluated by the congestion control function where copies of the frame can be discarded.
Port flow control (FC)	The link partner is informed through pause frames (full-duplex) or collisions (half-duplex) that the port cannot accept more data. If the link partner obeys the pause requests, no incoming data is discarded by the port. If the pause frames are disobeyed by the link partner, the buffer control function in the queue system discards data before it reaches the ingress queues.
Priority-based flow control (PFC)	The link partner is informed about which QoS classes in the queue system are congested and the link partner should stop scheduling more frames belonging to these QoS classes. If the pause frames are disobeyed by the link partner, the buffer control function in the queue system discards data before it reaches the ingress queues.

3.22.1 Analyzer Result

The analyzer provides required information for switching frames in the shared queue system. The following table lists the information provided and a general description of the purpose.

Table 144 • Analyzer Result

Group	Field	Function
Destination selection	Destination set	Set of ports to receive a normal switched copy.
Destination selection	CPU queue mask	Set of CPU queues to receive a copy.
Destination selection	Mirror	Requests mirror copy.
Destination selection	Learn all	Requests learn copy to stack ports.
Congestion control	Drop mode	This particular frame can be dropped even if ingress port is setup for flow control.
Congestion control	DP	Drop precedence level
Congestion control	Priorities	Ingress resource priority of the frame. Four classified classes are provided from the analyzer: QoS, PCP, COSID, and TC. All values between 0 and 7.
Queue mapping	SP	Super priority frame
Queue mapping	QGRP	Queue group for service-based egress queuing.
Statistics	OAM type	Service counters can be configured to only count certain OAM frame types.

3.22.2 Buffer Control

Frames are stored in a shared packet memory bank, which contains 23,826 words (11,913 words in VSC7442-02 and VSC7444-02) of 176 bytes each. A memory manager controls which words the packet writer uses to store a frame.

With proper configuration, the packet memory bank always has a free word available for incoming frames. There are configurable thresholds for triggering pause frame requests on ports enabled for flow control and for discarding frames due to too large memory use when for instance pause frames are disobeyed by the link partner.

Frames discarded at this stage are discarded without considering the frame's destination ports. This kind of discarding is called tail dropping. It is an indication of head-of-line blocking and is not usually desired. For information about how it can be avoided by proper configuration of the congestion control system, see [Congestion Control](#), page 213.

The pause frame and discard mechanisms are activated when a threshold for the individual port's memory use is reached and when a threshold for the total use of memory is reached.

The following table lists the configuration registers involved in the buffer control.

Table 145 • Buffer Control Registers Overview

Register	Description	Replication
QSYS::ATOP	Maximum allowed memory use for a port before tail dropping is activated.	Per port
QSYS::ATOP_TOT_CFG	Total memory use before tail dropping can be activated.	None
QSYS::PAUSE_CFG	Thresholds for when to start and stop port flow control based on memory use by the port.	Per port
QSYS::PAUSE_TOT_CFG	Total memory use before flow control is activated.	None
QFWD::SWITCH_PORT_MODE	Enable drop mode for a port.	Per port

The following table lists available status information.

Table 146 • Buffer Status Registers Overview

Register	Description	Replication
QSYS::MMGT_PORT_USE	Current consumption for a specific port	None
QSYS::MMGT_PORT_VIEW	Selection of port to show usage for	None
QSYS::MMGT	Number of free words in packet memory	None

3.22.3 Forwarding

The frame forwarder processes frames at the head of the per-port ingress queues by adding references to the egress queues for each of the frames' destination ports. The references points from the egress queues to the stored frames. The forwarder can add from 125 million to 250 million references per second.

The ingress queues are selected by a weighted round-robin search, where the weights are configured in QFWD::SWITCH_PORT_MODE.FWD_URGENCY.

Each frame is processed as either a drop-mode frame or a flow control frame, which influences how the congestion control works. For a drop-mode frame, the congestion control can discard frame copies while for a flow control frame, it lets the frame stay at the head of the ingress queue blocking further processing of frames from the port until the congestion situation is over. A frame is processed as a drop-mode frame if one of the following conditions is met:

- The ingress port is configured to be an ingress drop port.
- The egress port is configured to be an egress drop port.

- The frame itself is analyzed to be a drop frame.

In terms of discarding frames, the forwarder can work in an ingress-focused statistics mode or an egress-focused statistics mode. The mode is configured per ingress port in `XQS::STAT_CNT_CFG`.

In the ingress-focused mode, a frame can be discarded towards multiple destinations simultaneously. The discard statistics is only incremented if the frame is discarded towards all destinations.

In the egress-focused mode, the discard statistics is incremented for each copy of the frame being discarded at the expense of the forwarder only discarding one frame copy per cycle. The forwarder can therefore become oversubscribed. If, for instance, two 10G ports are broadcasting 64-byte frames at wire-speed to ten destinations, the total amount of frame copies per second is $20 \times 10 \text{ frames} / (8 \times (64 + 20) \text{ ns}) = 297 \text{ million frames per second}$. The forwarder can at maximum process 250 million frames per second. As a consequence, the ingress queues fill up and tail dropping is inevitable.

If the `DROP_SINGLE` option is set in `QFWD::FWD_CTRL`, each individual copy is counted. That must be enabled in egress focused mode, and can be enabled in ingress focused, at the expense as the above described.

The highlights of the modes are listed in the following table.

Table 147 • Statistics Modes

Statistics Mode	Operation
Ingress-focused	A frame switched to N ports and discarded to M ports will update the discard statistics for the ingress port by one, only if $N = 0$ and $M > 0$. The forwarder will use N cycles to process the frame.
Ingress-focused drop-single	A frame switched to N ports and discarded to M ports will update the discard statistics for the ingress port by M. The forwarder will use $N + M$ cycles to process the frame.
Egress-focused	A frame switched to N ports and discarded to M ports will update the discard statistics for the M egress ports by one. The forwarder will use $N+M$ cycles to process the frame.

3.22.3.1 Forward Pressure

The worst-case switching capacity in the frame forwarder is 125 million frames per second. This corresponds to 84 Gbps line rate with minimum-sized frames.

However, if a large share of these frames have multiple destinations that are all close to the 64 byte minimum frame size, the processing speed is insufficient to process the destination copy one at a time. The consequence is that the ingress queues start to fill. The ingress queues contain both high and low priority traffic, unicast, and multicast frames. To avoid head-of-line blocking effects from the ingress queues filling up and eventually leading to tail dropping, a forward pressure system is in place. It can discard frame copies based on the size of the ingress queues. Forward pressure is configured in the `QSYS::FWD_PRESSURE` registers, where each port is allowed only a certain number of copies per frame if the number of pending transmit-requests in the port's ingress queue exceeds a threshold.

The following table lists the registers associated with configuring forward pressure.

Table 148 • Forward Pressure Configuration Registers Overview

Register	Description	Replication
<code>QSYS::FWD_PRESSURE.FWD_PRESSURE</code>	Configures forwarding pressure limits per port.	Per port
<code>QSYS::MMGT_IQ_STAT</code>	Returns current ingress queue size.	Per port
<code>QFWD::FWD_PRESSURE.FWD_PRESS_DROP_CNT</code>	Counts number of frame copies discarded due to this feature. Value is total discards for all ports in common.	None

3.22.3.2 Destination Selection

The forwarder adds references to the egress queues by evaluating the destination selection information shown in the following table from the analyzer.

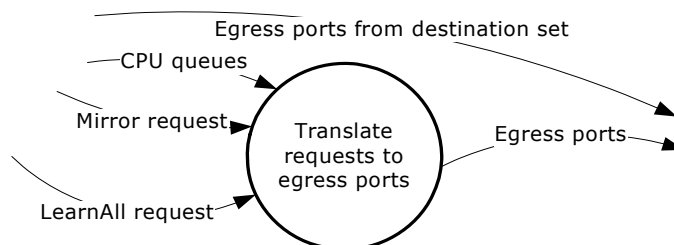
Table 149 • Analyzer Destination Selection

Field	Function
Destination set	Set of ports to receive a normal switched copy. All ports except the internal extraction ports have a bit in this mask.
CPUQ	Set of CPU queues to receive a copy
Mirror	Request mirror copy
Learn-all	Request learn copy to stack ports

The destination set selects specific egress ports and the CPUQ, mirror, and learn-all fields are indirect frame destinations and must be translated to transmit requests through the frame copy configuration table. The table provides a specific egress port and QoS class to use in congestion control. The table is accessed through the QFWD::FRAME_COPY_CFG register.

The following illustration shows the translation of transmit requests.

Figure 46 • Translation of Transmit Requests



The CPUQ field instructs which of the eight CPU extraction queues should get a copy of this frame. Each queue in the queue system is translated into either one of the two internal CPU ports or to a front port. The egress QoS class can be set to the same value as the ingress QoS class or to a specific value per CPU extraction queue. A super priority can also be used. For more information, see [Super Priorities](#), page 229.

The mirror field is the mirror probe number, which is set by the analyzer if the frame must be mirrored. There are three mirror probes available, and for each of the probes, associated egress port and egress QoS class can be set by the translation table.

Finally, if the learn-all field is set, the frame should also be forwarded to the stacking links. It is selectable to forward the frame to either of the two stacking links or to both, depending on the stacking topology.

The following table lists the configuration registers associated with the forwarding function.

Table 150 • Frame Forwarder Registers Overview

Register	Description	Replication
QFWD::SWITCH_PORT_MODE	Enables forwarding to/from port. Forwarding speed configuration. Drop mode setting.	Per port
QFWD::FRAME_COPY_CFG	Translates CPUQ/mirror/learn all to enqueueing requests.	12
QFWD::FRAME_COPY_LRNA_CFG	Learn All frame copy extra port.	None
QFWD::CPUQ_DISCARD	Disables enqueueing to specific CPU queues.	None
QSYS::FWD_PRESSURE	Configures forwarding pressure limits per port.	Per port

Table 150 • Frame Forwarder Registers Overview (continued)

Register	Description	Replication
QFWD::MIRROR_CFG	Configures whether discarded copies should still generate a mirror copy.	None

3.22.4 Congestion Control

The buffer control can only guarantee that no ingress port consumes more than a certain amount of memory. Discards made by the buffer control are tail drops. The congestion control is more advanced in that it facilitates intelligent discard where only frames belonging to a congested flow are discarded.

If the forwarder finds that some frame copies are made to a congested flow, it discards the copies (drop-mode frames) or lets the copies block further processing of the ingress queue (flow control ports).

The congestion control information from the analyzer result involved in the congestion control is listed in the following table.

Table 151 • Analyzer Congestion Results

Field	Function
Drop mode	This frame can be dropped even if port is setup for flow control. This function is mainly used by the analyzer for stacking use where the ingress unit's source port determines how congestion should be handled.
DP	Drop precedence level. A value 0-3, telling how yellow the frame is.
QoS class	Frame's ingress QoS class

The current consumption of resources in the congestion controller is updated when a reference is added to one of the egress queues. The congestion controller tracks four different resources:

- Ingress packet memory consumption. Each frame uses a number of 176-byte words.
- Egress packet memory consumption. Each frame uses a number of 176-byte words.
- Ingress frame reference consumption. Each frame uses one frame reference per frame copy.
- Egress frame reference consumption. Each uses one frame reference per frame copy.

There are 23,826 memory words and 23,826 frame references in total (11,913 memory words and 11,913 frame references in VSC7442-02 and VSC7444-02).

The accounting is done based on QoS classes and port numbers. Each account has a threshold associated specifying how many resources the account is permitted to consume. The accounts are as follows:

- Consumption per port per QoS class. This is a reservation account.
- Consumption per port. A frame does not consume resources from this account before the resources belonging to the previous account are consumed. This is a reservation account.
- Consumption per QoS class. A frame does not consume resources from this account before the resources belonging to the previous two accounts are consumed. This is a sharing account.
- Consumption in addition to the above. A frame does not consume from this account before the resources belonging to the previous three accounts are consumed. This is a sharing account.

The congestion controller updates an accounting sheet with the listed accounts for each of the tracked resources.

The following illustration shows reservation accounts for the packet memory accounting sheets when a 700-byte frame from port 0 forwarded to ports 1 and 5 with QoS class 2 is added. The frame size requires the use of five words in the packet memory. The account for ingress port 0, QoS class 2 is reserved three words. Before the frame is added, it is checked if the account was fully utilized. If the account was not fully used, the frame is allowed into the queue system. After the frame is added, the account is updated with the five words and therefore uses two more than was reserved. These are consumed from the port account. The port account is reserved 0 words and the added two words therefore also close the port account. This affects further frame reception.

In the egress side, there are no words reserved for the account per port per QoS class. The port account for port 1 is 8 words and 0 words for port 5.

Figure 47 • Accounting Sheet Example

Priority	0	1	2	3	4	5	6	7	P
Port									
0			5/3						2/0
1									
...									
...									
...									

Priority	0	1	2	3	4	5	6	7	P
Port									
0									
1			5/0						5/8
...									
...			5/0						5/0
...									

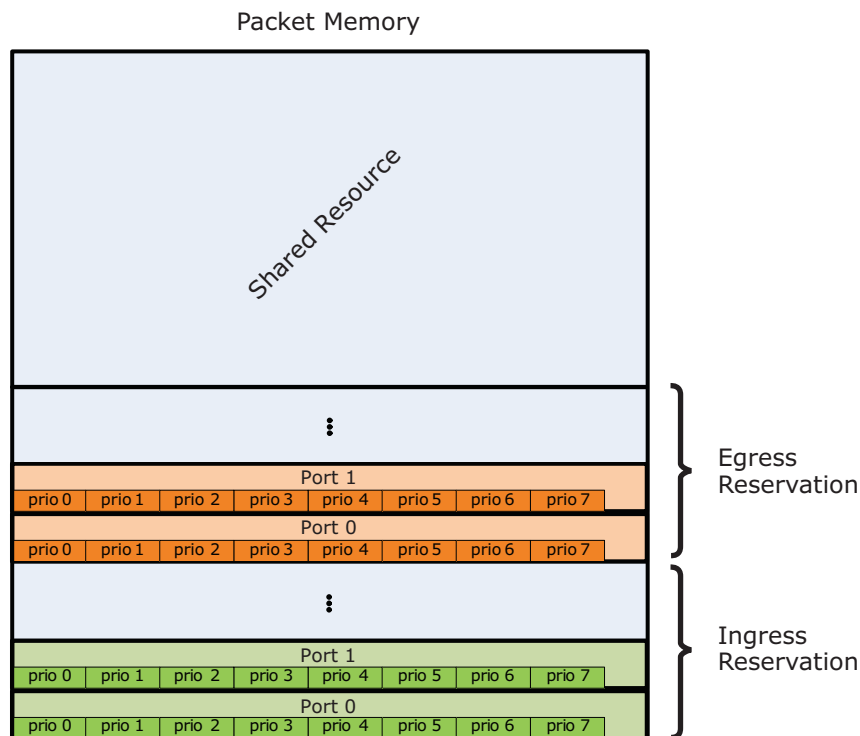
For PFC purposes, the congestion controller contains an additional accounting sheet of the ingress memory consumption. The sheet has its own set of thresholds. The result of the accounting is whether to send PFC pause frames towards the link partner.

The combined rule for allowing a frame copy is if both of the following are true:

- Either ingress or egress memory evaluation must allow the frame copy.
- Either the ingress or egress reference evaluation must allow the frame copy.

When the reserved accounts are closed, the shared accounts spanning multiple ports are checked. Various rules for regarding these accounts as open or closed exist. These rules are explained in the following through three major resource modes, which the congestion controller is intended to be used in.

Figure 48 • Reserved and Shared Resource Overview

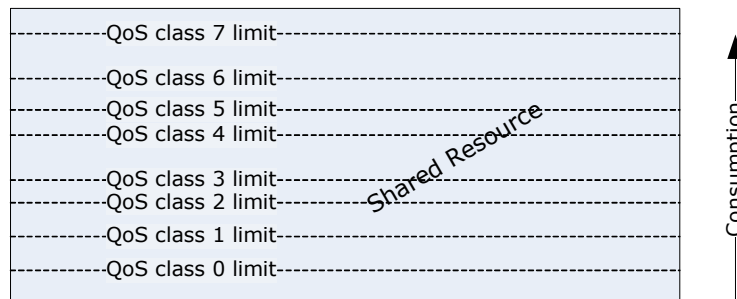


The resource modes are defined by the way the shared resources are distributed between classes of frames. Note, that there are many options for configuring different resource mode than the modes described in the following. This is outside the scope of this document.

3.22.4.1 Strict Priority Sharing

This resource mode considers higher QoS classes as more important than lower QoS classes. The shared area is one big pool shared between all QoS classes. Eight thresholds define the limit for each of the eight QoS classes. If the total consumption by all QoS classes exceeds one of the thresholds, the account associated with the particular QoS class is closed.

Figure 49 • Strict Priority Sharing



One important property of this mode is that higher QoS classes can block lower QoS classes. A congested flow with a high QoS class uses all of the shared resources up to its threshold setting and frames with lower QoS classes are thus affected (lower burst capacity).

The following table shows the configuration settings for strict priority sharing mode.

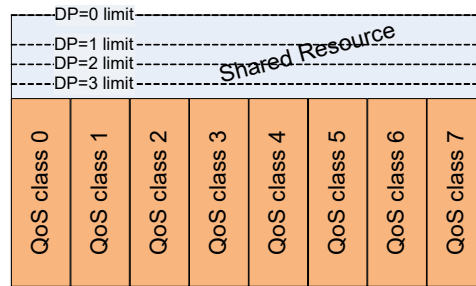
Table 152 • Strict Priority Sharing Configuration Settings

Configuration	Setting
Reservation thresholds	These can be set to any desired value. The amount set aside for each account should be subtracted from the overall resource size, before the sharing thresholds are set up.
Ingress QoS class thresholds	Levels at which each QoS class should start to reject further enqueueing. Frames with multiple destinations are only accounted once because they are physically only stored once.
Ingress color thresholds	Set to their maximum value to disable. The color is not considered in this mode.
WRED group memberships	Disable all.
Egress sharing thresholds	Set all to 0, because only use ingress sharing control is . Egress would account for multiple copies, which is not intended.
QoS reservation (QRES::RES_QOS_MODE)	Disable for all. No shared resources are set aside per QoS class.

3.22.4.2 Per Priority Sharing

This mode sets aside some memory for each QoS class and can in addition have an amount of memory reserved for green traffic only. This mode operates on ingress resources, in order to utilize that frames with multiple destinations are only stored once.

Figure 50 • Per Priority Sharing



The following table shows the configuration settings for per priority sharing mode.

Table 153 • Per Priority Sharing Configuration Settings

Configuration	Setting
Reservation thresholds	These can be set to any desired value, except for ingress per port reservation. The algorithm requires these to be zeroed.
Ingress QoS class thresholds	Set to amount of shared memory which should be set aside for each QoS class. The sum of all these should not exceed the amount of memory left after all the reservations has been subtracted.
Ingress color thresholds	Subtracting all reservations including QoS class shared areas may end up in some unused memory. Set the color thresholds to various levels to guarantee more space the greener.
WRED group memberships	Disable all.
Egress sharing thresholds	Set all to 0, as we only use ingress sharing control. Egress would account for multiple copies, which is not intended.
QoS reservation (QRES::RES_QOS_MODE)	Enable for all.

3.22.4.3 Weighted Random Early Discard (WRED) Sharing

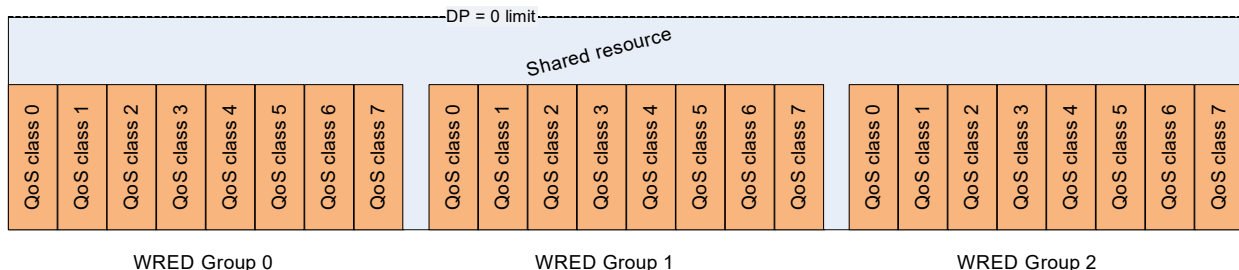
In this mode, the shared resource accounts close at random. A high consumption gives a high probability of discarding a frame. This sharing method only operates on the egress memory consumption.

There are three WRED groups, each having a number of ports assigned to it. Each WRED group contains 24 WRED profiles; one per QoS class per DP = 1, 2, 3. Each WRED profile defines a threshold for drop probability 0% and a threshold for drop probability 100%. Frames with DP = 0 value are considered green and have no WRED profile. Green frames should always be allowed.

Memory consumptions within a WRED group are tracked per QoS class.

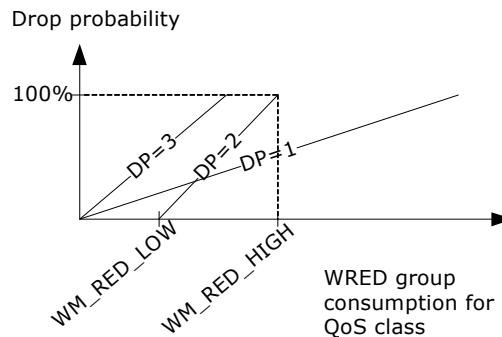
The WRED groups with each eight QoS classes are shown in the following illustration. It is also possible to use fewer groups or different sizes for each QoS classes.

Figure 51 • WRED Sharing



The following illustration shows an example of the WRED profiles for a QoS class within a WRED group. Thresholds are shown for DP = 2 only.

Figure 52 • WRED Profiles



The WRED sharing is operating as an egress algorithm. The following table shows the configuration setting.

Table 154 • WRED Sharing Configuration

Configuration	Setting
Reservation thresholds	These can be set to any desired value, except for ingress per port reservation. The algorithm requires these to be zeroed.
Ingress priority thresholds	Set to their maximum value, as the QoS classes should not have any sharing across WRED groups.
Ingress color thresholds	Set to their maximum.
WRED group memberships	Set to define the WRED groups. For each group, define as well the up to 24 WRED profiles (per QoS class and DP level)
Egress sharing thresholds	Set the QoS class thresholds to the highest possible consumption before any profile hits 100% probability. The color thresholds can then operate on the remainder of the resource in control and can all be set to the same value, allowing use of all the remaining. A discard due to the WRED profile takes precedence over other sharing states, so the area outside the group sections is only available for green traffic.
QoS reservation (QRES::RES_QOS_MODE)	Disable for all.

3.22.4.4 Priority-Based Flow Control

There is a fifth accounting scheme for the pending frames. It operates on ingress memory use, but has the same set of thresholds as the other account systems. The output from that system is however not used for stopping/discarding frame copies, but for requesting the port to transmit pause flow control frames for the involved priorities. The threshold levels here should be configured in a way so that the blocking thresholds cannot be reached during the trailing amount of data.

3.22.4.5 Threshold Configuration

There are a large number of thresholds for the reservations described. They are all found in the QRES::RES_CFG register, which is replicated 5,120 times:

Table 155 • Threshold Configuration Overview

QRES::RES_CFG Replication	Description
0–455	Ingress memory reservation for port P priority Q accessed at index 8P+Q.
496–503	Ingress memory shared priority threshold for priority Q accessed at index 496+Q.

Table 155 • Threshold Configuration Overview (continued)

QRES::RES_CFG Replication	Description
508–511	Ingress memory shared threshold for DP levels 1, 2, 3, and 0.
512–568	Ingress memory reservation for port P, shared between priorities, accessed at index 512+P.
1,024–2,047	Ingress reference thresholds. Same organization as for ingress memory, but added offset 1,024.
2,048–3,071	Egress memory thresholds. Same organization as for ingress memory, but added offset 2048.
3,072–4,095	Egress reference thresholds. Same organization as for ingress memory, but added offset 3,072.
4,096–5,119	PFC memory thresholds, operating on ingress memory use. PFC is activated when no memory left according to these thresholds. Same organization as the ingress stop thresholds, but added offset 4,096.

The following table lists other registers involved in congestion control.

Table 156 • Congestion Control Registers Overview

Register	Description
QRES::RES_STAT (replicated same way as RES_CFG)	Returns maximum value the corresponding threshold has been compared with.
QRES::RES_STAT_CUR (replicated as RES_CFG)	Returns current value this threshold is being compared with.
QRES::WRED_PROFILE (72 profiles)	Profile description. 3 (grp) × 3 (DP) × 8 (prio) profiles exist.
QRES::WRED_GROUP	WRED group membership configuration per port.
QRES::PFC_CFG	Enable PFC per port.
QRES::RES_QOS_MODE	Enable QoS reservation for QoS classes.
QFWD::SWITCH_PORT_MODE	Controls whether yellow traffic can use reserved space (YEL_RSVD). Allows ports to use shared space (IGR_NO_SHARING, EGR_NO_SHARING).

3.22.4.6 Frame Forwarder Monitoring

The performance of the frame forwarder can be monitored through the registers listed in the following table.

Table 157 • Frame Forwarder Monitoring Registers Overview

Register	Description
XQS::FWD_DROP_EVENTS	Sticky bits per port telling if drops from each individual ingress port occurred.
XQS::FWD_CPU_DROP_CNT	Counts number of frames not forwarded to the CPU due to congestion.
XQS::FWD_STAT_CNT	Counts number of frame copies added to the egress queues in total.
QFWD::FWD_PRESS_DROP_CNT	Counts number of frame copies discarded due to forward pressure. Value is the total discards across all ports.
QSYS::MMGT_IQ_STAT	Returns current ingress queue size.
QSYS::MMGT	Returns number of free references for the egress queues.

3.22.5 Queue Mapping

When a frame is forwarded to an egress port, a frame reference is inserted into one of the port's egress queues. The egress queues are read by a programmable scheduler consisting of a number of scheduler elements (SEs). Each SE serves 8 or 64 queues, configurable through the HSCH::HSCH_LARGE_ENA registers. Each SE selects the next input to transmit and forwards the decision to a next-layer SE, selecting from which of its inputs to transmit. There are a total of three layers, with layer 0 being the queue connected layer. Connections between the layers are fully configurable in HSCH::L0_CFG and HSCH::L1_CFG. For more information about SE functionality, see [Scheduling](#), page 224 and [Bandwidth Control](#), page 226.

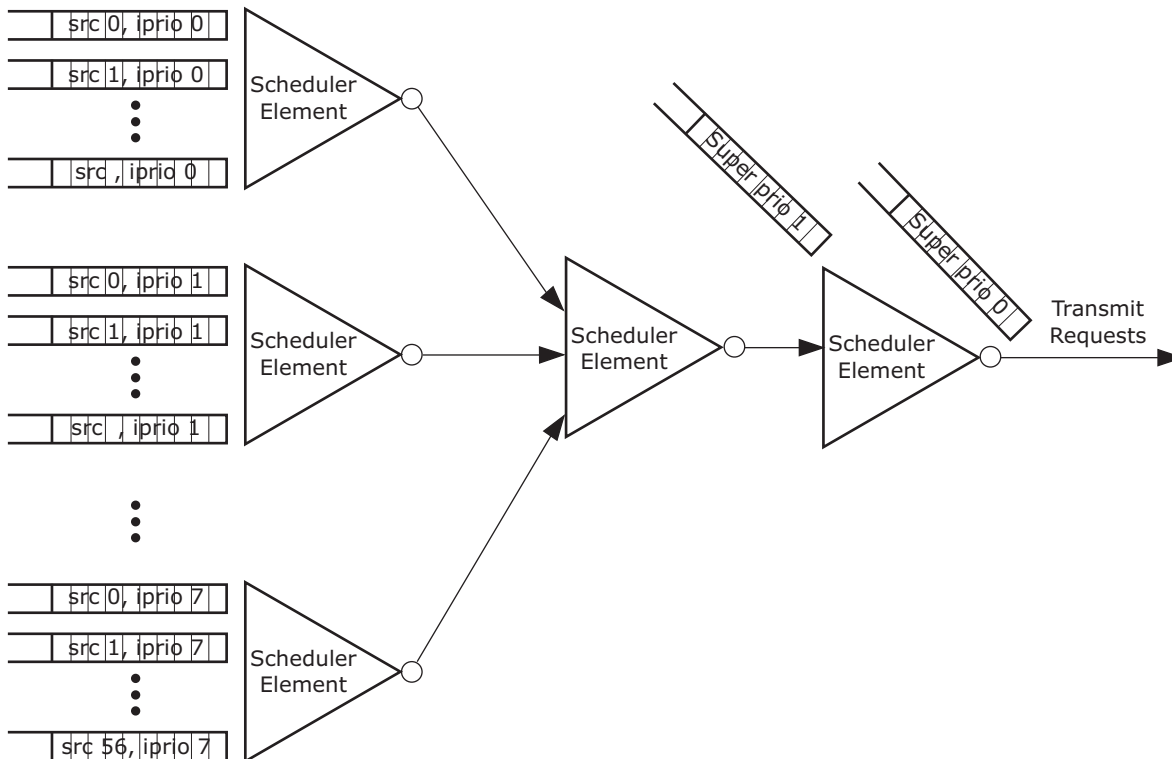
The scheduler includes a dual leaky bucket shaper to limit the traffic rate from inputs attached to it. To distribute the bandwidth between the inputs, the scheduler also contains a weighted round robin arbiter.

The number of queues available in total for all ports is 27,328. The queue mapper must be configured to how these queues are assigned to each egress port. The overall traffic management for each port is the result of the queue mapping and scheduler hierarchy.

The following illustration shows an example of the default egress port hierarchy. At layer 0, eight SEs select between data in the same QoS level, with queues from each source port. This forms a basic traffic manager, where all source ports are treated fair between each other, and higher priorities are preferred. This is accomplished by having the layer 0 SEs select input in a round robin fashion, and the mid-layer select strictly higher inputs before lower inputs. In general, all SEs can be configured to various policies on how to select inputs.

The illustration also shows the two super-priority queues available in all ports. The scheduler hierarchy configuration must be based on a desired scheme. The hardware default setup is providing a queue per (source, priority) per egress port. All queues with the same QoS level are arbitrated first, in layer 0.

Figure 53 • Scheduler Hierarchy (Normal Scheduling Mode)

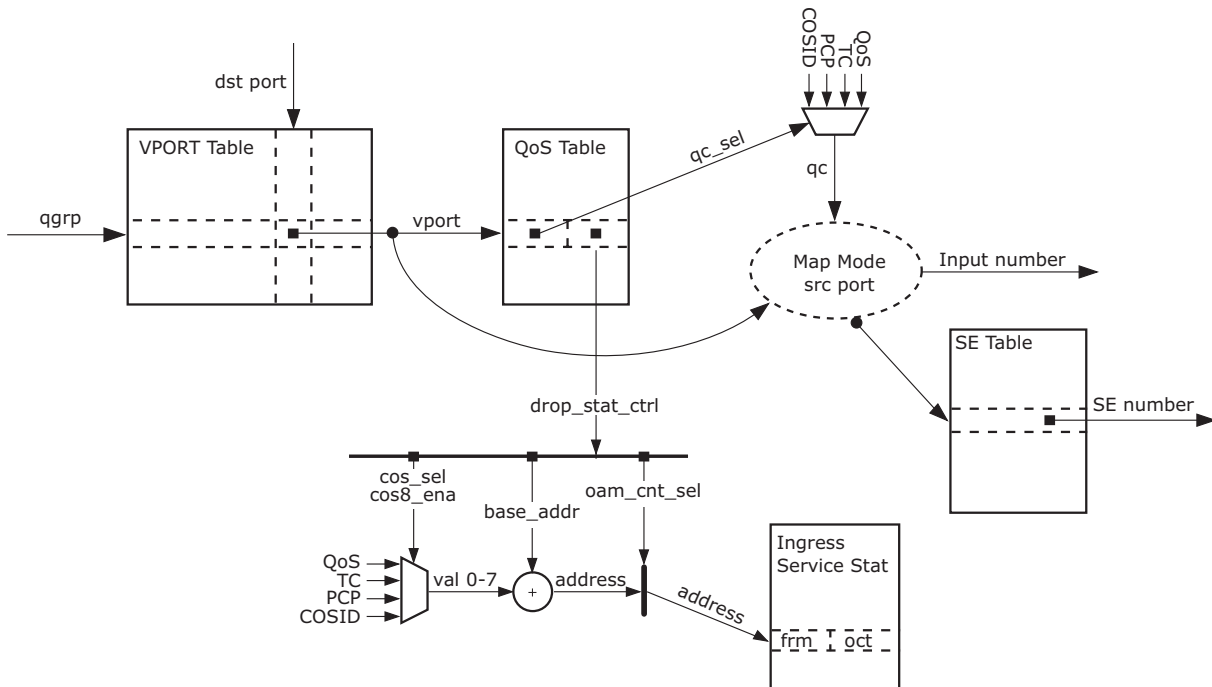


3.22.5.1 Mapping System

All queues in the system are referred to as a layer 0 SE number and an input number. For example, the default configuration puts all traffic for port 0 from source 7 in priority 0 into the queue (0,7); SE number 0, input 7. When the forwarder requests a frame to be added to a queue, the queue group—all classified

priorities, the source port, and the destination port—are used to find the SE and input on it, through some configurable mapping tables. There are three basic hierarchy types, and the first part of the mapping procedure is to find the hierarchy type in XQS::QMAP_PORT_MODE. The mode is found for frames with classified qgrp = 0 in the QMAP_MODE_NONSERVICE field and in QMAP_MODE_SERVICE for qgrp > 0. Note that service and non-service mappings can be combined at the higher layers, in order to combine the two basic types of traffic in the application. An overview of the queue mapping tables is shown in the following illustration. The drop statistics mode is also found by looking up information in these tables. For more information, see [Statistics](#), page 229.

Figure 54 • Queue Mapping Tables



Mapping is accomplished by the following steps.

1. Finding virtual port (vport). Used only for looking up fields in other tables.
 $vport = QMAP_VPORT_TBL(qgrp, dport)$
2. Find queuing class (qc_cl)
 $qc_sel = QMAP_QOS_TBL(vport)$
 $qc = (qos, cosid, pcp, tc)(qc_sel)$

Find queue. This mapping depends on which of the following hierarchy modes are configured:

Mode 0: Normal mode. This is the default mode on all ports. It is used for arbitrating all frames with the same queuing class, treating all source ports equally.

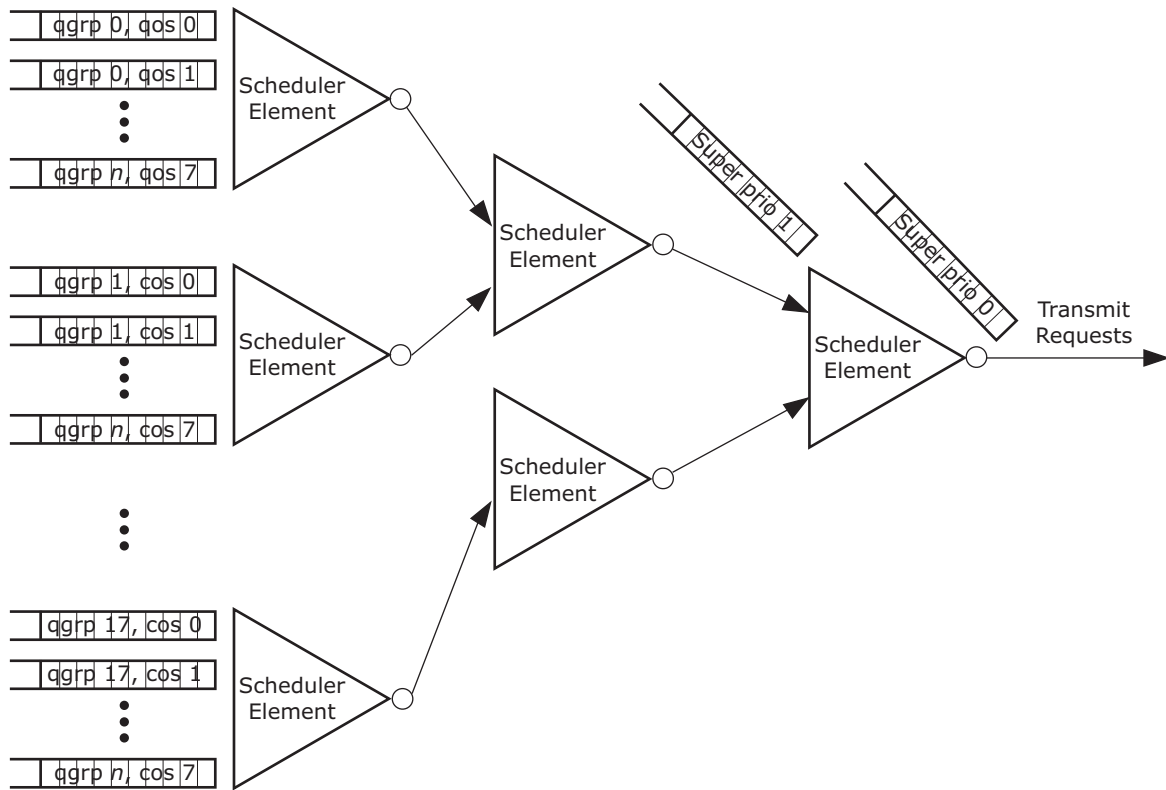
$SE = QMAP_SE_TBL(vport + qc)$, $inp = \text{source port}$.

Mode 1: Group mode. This mode is used for having eight queues per queue group in layer 0. Used in Carrier applications where each service should have its own queues, with a traffic profile per queuing class.

$SE = QMAP_SE_TBL(vport)$, $inp = qc$.

The following illustration shows the group scheduling mode.

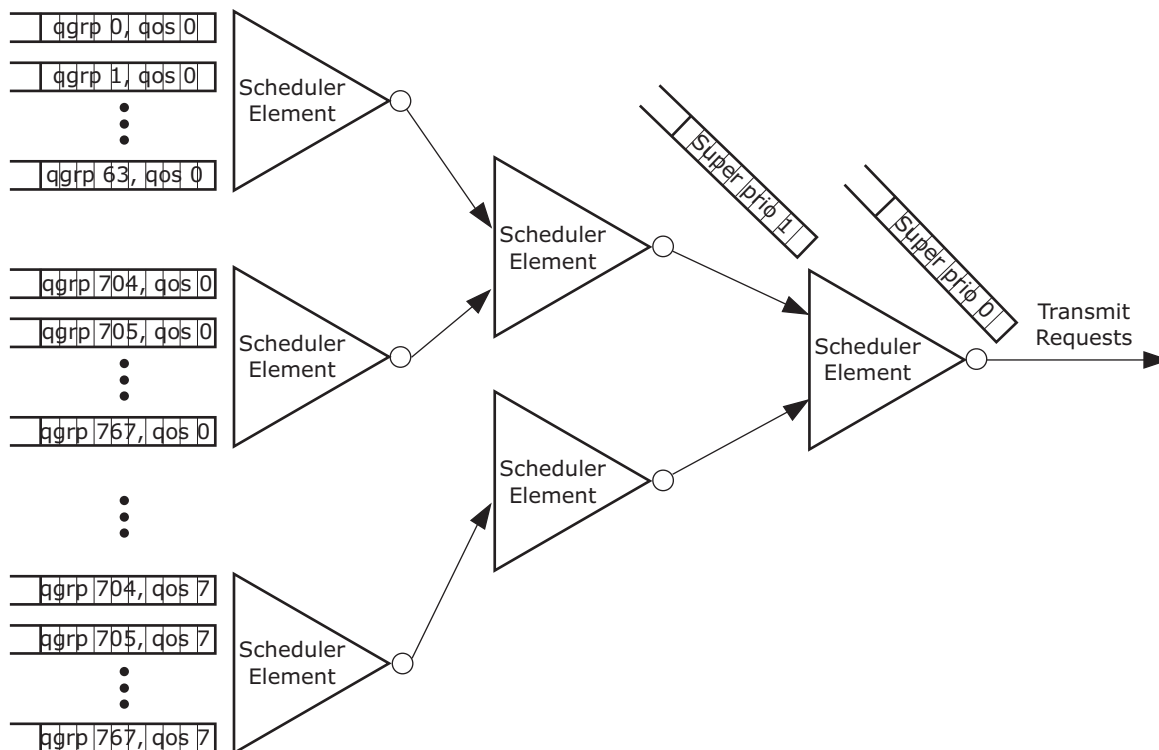
Figure 55 • Group Scheduling Mode



Mode 2: Microwave Backhaul (MBH) mode. This mode is used when many queue groups need to be arbitrated per queuing class, and they share a common outgoing quality of service policy. For example, it may be possible to have 768 queues per queuing class arbitrated on level 0 and 1, and class selected on level 2. In this case, the SE table is used by SE = QMAP_SE_TBL (vport + qc), Inp = qgrp MOD 64.

The following illustration shows the Mobile Backhaul mode.

Figure 56 • Mobile Backhaul Mode



The following table lists the registers associated with assigning queues for each egress port.

Table 158 • Queue Mapping Registers Overview

Configuration	Description
QMAP_PORT_MODE	Selects queue layer hierarchy type
QMAP_VPORT_TBL ¹	Map (qgrp,dport) into a virtual port
QMAP_QOS_TBL ¹	Selects per vport from which queueing QoS it should be derived
QMAP_SE_TBL ¹	Selects per vport a scheduling element

1. The QMAP_xx_TBLs are indirectly accessed by setting the target index in XQS:MAP_CFG_CFG.MAP_CFG_CFG following read or write to replication 0 of the register.

3.22.5.2 Service Statistics

As shown in the following illustration, drop statistics configuration is also being looked up in the mapping flow. The device has 8,192 service counter sets. On the ingress side, the queue system only counts discarded frames. On the egress side, it counts the amount of frames transmitted. In both cases, there is a counter for green frames and another counter for yellow frames.

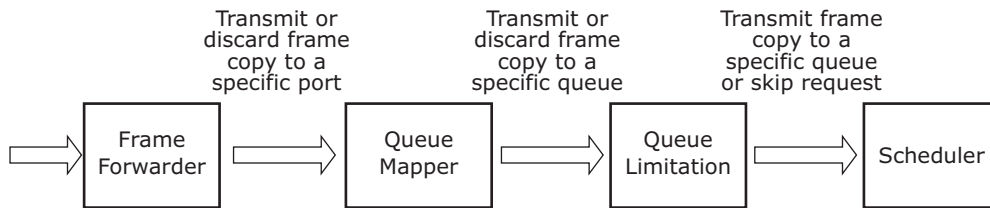
The egress counter set to count is selected through the rewriter. The ingress counter is selected by looking up drop statistics information when the queuing class is looked up. That returns a base index, which is multiplied by four, and one of the four classified priority parameters is added. If the set is configured for using only four counters, the MSB of the priority is cleared. The resulting index will afterwards be counting drops, with 18 bits of octet counting, and 10 bits of frame counting. Optionally, all 28 bits can be used for frame counting. For more information about drop statistics, see [Statistics](#), page 297.

3.22.6 Queue Congestion Control

The congestion control system may choose to forward a frame to a specific queue or to discard it. In either case, the decision passes through a queue limitation function, which can alter the decision based on another view of the resources

The following illustration shows the drop decision flow.

Figure 57 • Drop Decision Flow



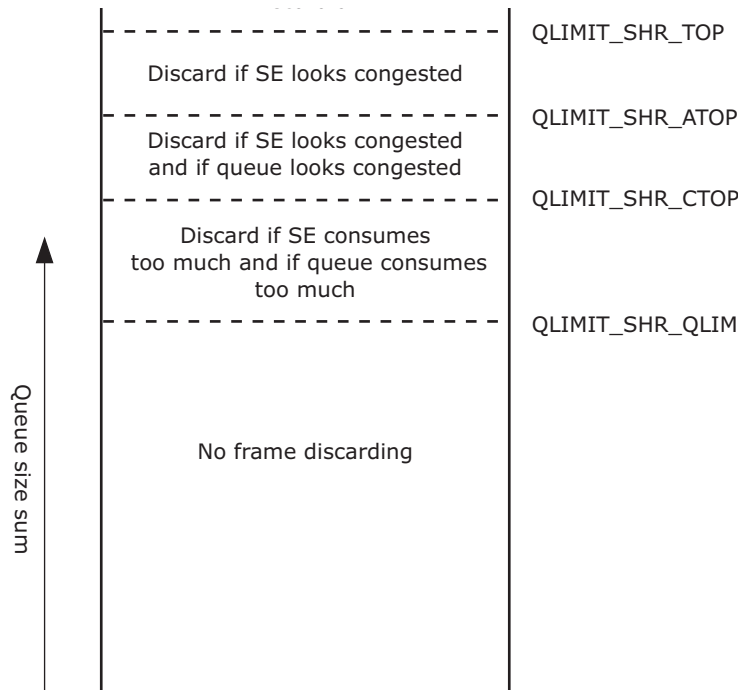
The queue limitation function checks the queue size against various configurable and dynamic values and may change a transmit request to a discard by canceling the request to the scheduler.

A port can also be configured for being in minimum mode, in which case, the queue limiter can change a discard request to a transmit request.

The queue limitation system uses queue sizes (in terms of packet memory usage) of all queues. Each queue is assigned to a share. The share is a configuration parameter for the port to which the queue belongs, as set in the QLIMIT_PORT_CFG register. A set of watermarks is afterwards used to control some queue limitation drop mechanisms, trying to discard data for congested queues without affecting well-balanced traffic.

The conditions under which a frame is discarded is shown in the following illustration. The watermarks shown are defined per shared account and per color. If yellow traffic is present, it can be discarded fairly without affecting the green traffic.

Figure 58 • Queue Limitation Share



The following table provides descriptions of the queue limitation conditions.

Table 159 • Queue Limitation Conditions

State	Description	Traffic Condition
SE looks congested	The total size of queues into the layer-0 SE exceeds the QLIMIT_SE_CONG watermark.	The data on the specific SE is looking like growing, and the SE seems to receive more data than it has been granted egress bandwidth. When the filling gets very high, further data into that SE can be discarded.
Queue looks congested	The queue size exceeds the watermark in QLIMIT_QUE_CONG.	The queue seems to be growing. When the share filling is high, it can be chosen to discard further data into the queue.
SE consumes too much	The total SE use exceeds the dynamic fair share, which is the QLIMIT_SHR_QDIV watermark divided by the number of SEs looking congested. This division result is called DYN_WM.	There is a number of SEs in the scheduler building up data, and this particular SE is using more than the fair share of the buffer. Frames are discarded in the effort to grant equal burst capacities to all SEs seeking intermediate buffer.
Queue consumes too much	The queue size exceeds DYN_WM, which is the QLIMIT_SHR_CTOP watermark divided by the number of queues looking congested.	The queue seems to be one of the reasons for the growing memory consumption, and further additions to the queue can be avoided.

The following table lists the queue limitation registers.

Table 160 • Queue Limitation Registers

Register Groups	Description
QLIMIT_QUEUE ¹	Reads current queue size.
QLIMIT_SE ¹	Reads current SE queue sum and congestion count.
QLIMIT_PORT	Assigns ports to shares. Configures minimum mode.
QLIMIT_SHR	Configures watermarks for share and monitor filling and dynamic watermarks.
QLIMIT_MON	Reads the status for each of the logical shares.

1. The QLIMIT_QUEUE registers are indirectly accessed by setting the target index in XQS:MAP_CFG_CFG.MAP_CFG_CFG following the read or write to replication 0 of the register.

3.22.7 Scheduling

All egress queues are combined in a tree structure where the root is connected to an egress port. The scheduling capabilities consist of the following three aspects.

- Structure of the hierarchy
- Bandwidth limitation (shaping)
- Bandwidth distribution (arbitration between inputs)

3.22.7.1 Hierarchy Structure

The hierarchy consists of three layers: queue, middle, and outer.

- Layer 0 is the queue level. All inputs to scheduler elements are connected to a specific egress queue, as described in the previous section. This layer has 3,400 elements with eight inputs each. A number of those can be reconfigured to have 64 inputs, in which case they are called "large elements". Only elements in multiples of eight can become large, so the seven following can not be used.

- Layer 1 is the middle layer. There are 64 elements in this layer, all having 64 inputs. These inputs are connected to outputs of the layer 0 elements, through the HSCH::L0_CFG table.
- Layer 2 is the output layer. There is one scheduler element per egress port (57 elements). All elements have 64 inputs connected to outputs from layer 1 elements. Input n on the layer 2 elements can only be connected to layer 1 element n , configured in HSCH::L1_CFG.

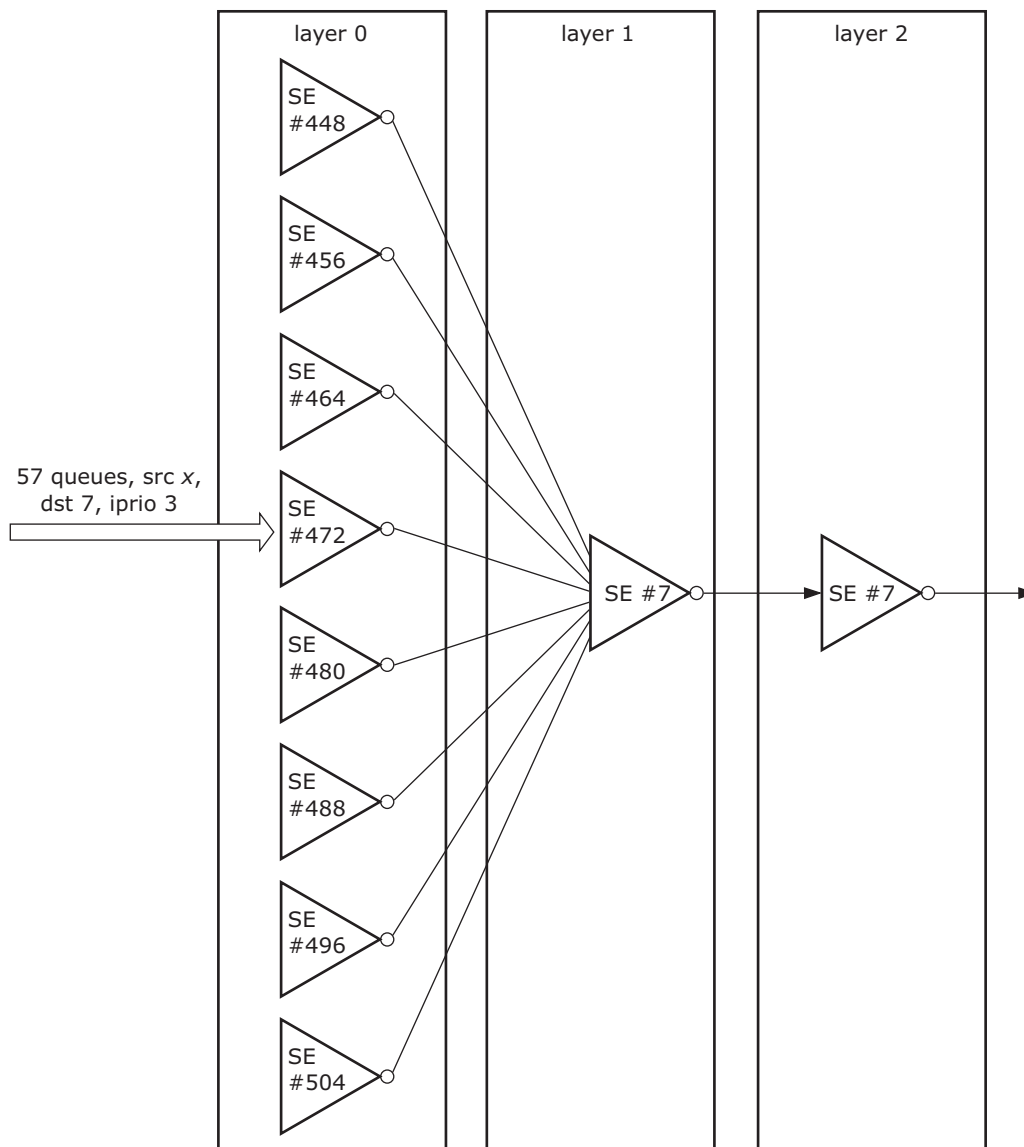
If the hierarchy needs are simple, Layer 1 can be bypassed to save SE resources for other ports by setting an output connection from a layer 0 element to 63, input n , in which case the output from that element will be connected to input 63 of layer 2 element n .

3.22.7.2 Default Hierarchy

The initialization engine in the scheduler builds a default hierarchy for all ports, and no further configuration of it is needed. It sets all ports into normal mode, using eight large elements on layer 0, and one element on each of the two other layers. The layer 0 elements are all configured for frame based round robin selection, and the layer 1 elements for strict selection of highest available input.

Port n uses elements $64n$, $64n + 8$, $64n + 16$, ... for layer 0. The example in the following illustration is for port 7.

Figure 59 • Default Scheduling Hierarchy



3.22.7.3 Bandwidth Control

Each scheduler element has a dual leaky bucket shaper on its output, which may block further transmissions from that scheduler element. It is controlled through a leaky bucket system, filling the bucket when data is transmitted and leaking it at the configured rate. The bucket is closed when more data than the configured burst capacity has been filled into it.

The shaper has three rate modes that define what is added to a bucket:

- Bits transmitted excluding IFG
- Bits transmitted including IFG
- Frames transmitted

Each of the three layers have four linked lists configured. All scheduling elements with active shapers must be members of one of those. Each linked list is processed once every configurable interval. When a list is processed, all shapers in it will leak its configured rate setting.

Examples:

- Data rate shapers are connected in a linked list, which is traversed every 10 μ s. The shaper rate granularity becomes 100 kbps.
- Frame rate shapers are connected in a linked list, which is traversed every 1 ms. The shaper rate granularity becomes 1 kilo frames per second.

Each scheduler element includes two leaky buckets to support DLB shaping. The committed information rate (CIR) bucket is open when the filling is below the configured limit. The excess information rate (EIR) shaper is always closed, unless the congestion control reports that a threshold is reached. Which congestion thresholds to react on are configurable for each shaper and should depend on the traffic groups the particular element is a part of. The effect of the DLB shaper is that the rate out of the shaper is CIR or CIR plus EIR, depending of the accumulation of data in the queue system.

The following table lists the registers associated with shaping.

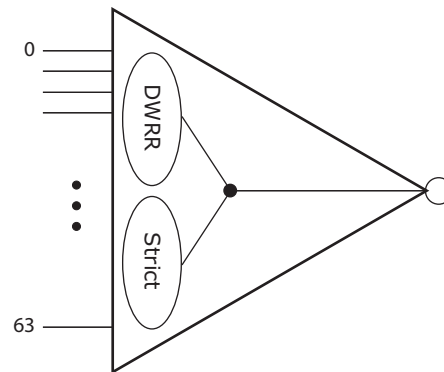
Table 161 • Shaper Registers Overview

Register	Description
HSCH::SE_CFG	Selects filling mode
HSCH::CIR_CFG	Configures leak rate and burst capacity for CIR bucket
HSCH::EIR_CFG	Configures leak rate and burst capacity for EIR bucket
HSCH::SE_DLB_SENSE	Selects thresholds to control EIR with.
HSCH::HSCH_LEAK_LIST	Configures leak list periods and starting index
HSCH::SE_CONNECT	Links to next in leaking lists
HSCH::CIR_STATE	Returns current CIR bucket filling
HSCH::EIR_STATE	Returns current EIR bucket filling
HSCH::SE_STATE	Returns whether or not the shaper is open

3.22.7.4 Bandwidth Distribution

Each scheduler element selects one of its inputs as the next source of transmission if a scheduling process passes through it. A number of different options are available for how this arbitration takes place. A configured value for the scheduler element tells how many of the lower indexed inputs should be arbitrated with the DWRR method. Inputs with higher indexes are preferred and arbitrated strict.

Figure 60 • Scheduler



The lower indexes are arbitrated in the effort to achieve a bandwidth ratio between them. In this regard, the bandwidth can be measured in frames, data bits, or line bits (including IFG). Each input is configured with a cost setting, and the algorithm strives to give n times more bandwidth to input A than B, if the cost configuration for A is n times lower than B.

Example: Input 4 has cost 7, and input 6 has cost 11. If the total bandwidth shaped out of the scheduler element is 180 Mbps, input 4 will get the 110 Mbps of it.

Example: All inputs have cost 1, and the element is configured for frames per second arbitration. Algorithm will by this strive to send an equal number of frames from each input.

Configuring costs is done indirectly by setting the HSCH_CFG_CFG.DWRR_IDX first (pointing to the scheduler element to configure), after which the costs are accessible through the HSCH_DWRR registers.

The following table lists the registers associated with the arbitration algorithm.

Table 162 • Scheduler Arbitration Registers Overview

Register	Description
HSCH::SE_CFG	Selects arbitration mode (data/line/frame) and number of inputs running DWRR
HSCH::CFG_CFG	Selects for which element to configure/monitor DWRR algorithm
HSCH::DWRR_ENTRY	Configures costs for each input
HSCH::INP_STATE	Returns input states for a scheduler element

3.22.7.5 Queue Shapers

In addition to the shaping capabilities at the output of each scheduling element, it is also possible to shape individual queues. These shapers are single leaky bucket based. The devices contain 6,800 such shapers that can be assigned to any of the 27,328 queues. The assignment of queue shapers is done through the HSCH::QSHP_ALLOC_CFG register. This is replicated per scheduling elements in layer 0, and defines the range of inputs on the element that should have queue shapers assigned, and the index of the first of the 6800 shapers to allocate to it. The shapers must be linked together for the leaking process in HSCH::QSHP_CONNECT

For example, to configure queue shapers on inputs 5 to 7 on elements 100 to 120, use the queue shapers from 400 to 462.

```

For I in 100 to 120 loop
  HSCH:QSHP_ALLOC_CFG[I]:QSHP_ALLOC_CFG.QSHP_MIN := 5
  HSCH:QSHP_ALLOC_CFG[I]:QSHP_ALLOC_CFG.QSHP_MAX := 7
  HSCH:QSHP_ALLOC_CFG[I]:QSHP_ALLOC_CFG.QSHP_BASE := 3*(I-100)+400
  HSCH:QSHP_ALLOC_CFG[I]:QSHP_CONNECT.SE_LEAK_LINK := I+1;
Endloop
(terminate chain)
HSCH:QSHP_ALLOC_CFG[120]:QSHP_CONNECT.SE_LEAK_LINK := 120
  
```

The leak process operates as for the SE shapers and must be configured in HSCH:HSCH_LEAK_LISTS[3].

The indexes of shapers allocated to a set of queues are only used in the QSHP_BASE settings. The shapers are accessed afterwards through the QSHP_CFG and QSHP_STATUS registers, accessed indirectly after setting HSCH_CFG_CFG.CFG_SE_IDX to the desired scheduling element.

For example, to configure the shaper on input 6 of element 118 to shape to 1.2 Mbps, set HSCH::HSCH_CFG_CFG.CFG_SE_IDX := 118 and HSCH:QSHP_CFG[6].QSHP_CIR_CFG.CIR_RATE := 12 (assuming the leak chain is configured for unit 100 kbps).

3.22.7.6 Miscellaneous Scheduler Features

The following table lists some features that might be useful.

Table 163 • Miscellaneous Scheduler Registers Overview

Field	Description
SE_CONNECT_VLD	Stops the whole scheduler operation. Can be useful when reconfiguring the hierarchy.
LEAK_DIS	Disable leaking process.
FRM_ADJ	Sets the byte difference between line and data rate calculations.
DEQUEUE_DIS	Disables transmissions per port.

3.22.8 Queue System Initialization

The queue system automatically initializes all tables and data structures when setting RAM_CTRL.RAM_ENA to 1, followed by setting RAM_CTRL.RAM_INIT to 1. Software should afterwards wait for 150 μ s or wait for the RAM_INIT bit to be cleared by hardware. After that the RESET_CFG.CORE_ENA must be raised, and the queue system is ready to operate. All thresholds and queue mappings are prepared with operational values. Configuration can afterwards be modified. The only per-port setting required to change in the queue system for initial bring-up of the queue system is the SWITCH_PORT_MODE.PORT_ENA, which must be set to one allowing switching of frames to and from the port.

3.22.9 Miscellaneous Features

This section provides information about other miscellaneous features of the queue system.

3.22.9.1 Frame Aging

The queue system supports discarding of frames pending in the queue system for too long time. This is known as frame aging. The frame aging period is configured in FRM_AGING.MAX_AGE, which controls the generation of a periodical aging tick.

The packet memory manager marks frames pending in the queue system when the aging tick occurs. Frames pending for more than two aging ticks are subject to frame aging and are discarded by the queue system when scheduled for transmission. As a consequence, frames can be discarded after pending between one or two aging periods in the queue system.

The following table lists the configuration registers associated with frame aging.

Table 164 • Frame Aging Registers Overview

Field	Description	Replication
QSYS::FRM_AGING.MAX_AGE	Sets the aging period	None
HSCH::PORT_MODE.AGE_DIS	Disables aging checks per egress port	Per port
HSCH::PORT_MODE.FLUSH_ENA	Regards various frames as being too old	None

3.22.9.2 Super Priorities

There are two special queues available in each egress port: super priority queue 0 and 1. For more information, see [Figure 53](#), page 219. These queues are selected before any other queues. They are intended for urgent protocol traffic injected by the CPU system. Frames in super priority queue 0 disregard the output shaper state and are not counted in the shaper's buckets. Frames in super priority queue 1 obey the output shaper state and are counted in the shaper's buckets.

The following frames can be added to the super priority queues:

- AFI injected frames: The AFI can be configured to inject into either of the super priority queues. For more information, see [Adding Injection Frame](#), page 244.
- CPU injected frames: Frames injected with an IFH with the SP flag set are inserted into the super priority queue as being set in the drop precedence (DP) IFH field.
- CPU extracted, mirror, learn all frames: Frames subject to the translation in QFWD::FRAME_COPY_CFG can configure use of either of the super priority queues.

3.22.9.3 Frame Modifications in the Queue System

The queue system typically passes data completely untouched from the ingress to the egress side, except for a few special cases.

Frame copies to the CPU can be sent into the rewriter with two different priority schemes, involving modification of the internal frame header. Either the frame takes the QoS class from the CPU extraction queue number or it takes the QoS class from the configuration in QFWD::FRAME_COPY_CFG. This is controlled in PORT_MODE.CPU_PRIO_MODE.

Frame copies due to learn-all stack synchronization can be truncated to 64 bytes to save bandwidth on the line. This is enabled in HSCH::PORT_MODE.TRUNC_ENA.

3.22.9.4 Statistics

The queue system counts frame discards and successful transmissions. Each counted event updates a counter instance, counting octets in a 40-bit counter and frames in a 32-bit counter. A frame is counted as discarded when none of the frame's destination ports are reached, excluding mirror and learn-all copies. If a frame is discarded, a counter instance, per ingress port, per QoS class per color, is updated. The color granularity here is only green or yellow, mapped from the analyzed DP value through the QSYS::DP_MAP settings. A frame transmission is a frame leaving the queue system towards the rewriter. In this direction, a counter instance per egress port, per QoS class per color, is updated. An abort counter instance per egress port counts frames discarded due to frame aging, queue system flushing, or abort requests from the rewriter.

There are statistics available per service counter index, which is provided by the analyzer for ingress service discard statistics and from the rewriter for egress service transmission statistics. The service counters are available per counter index, per color.

Access to the statistics is indirect. The QSYS::STAT_CFG configuration register must be set to the port or service counter index to be accessed, and all counters related to this index can afterwards be read in the QSYS::CNT registers. The following table lists the available port counters and how they are mapped. Unused addresses return undefined values. In the expressions, yel = 1 for reading yellow counters and yel = 0 for green. The mapping from classified DP to color is made in the QSYS::DP_MAP register.

The following table shows the addresses of the frame counters. The equivalent octet counters are found at the frame counter address plus 64 for the 32 least significant bits and at the frame counter address plus 128 for the eight most significant bits.

Table 165 • Statistics Address Mapping

Statistics Index	Event
0–15	Frames received on the port viewed. The first eight counters are for green frames, QoS level 0 – 7. The last eight counters are for yellow frames, defined by the QSYS::DP_MAP register.

Table 165 • Statistics Address Mapping (continued)

Statistics Index	Event
16–31	Frames dropped on the port viewed. Drops will be for the ingress port point of view or egress, depending on the DROP_COUNT_EGRESS option. There are eight green counters and eight yellow counters.
256–271	Transmitted frames on the port viewed. Same layout as for the receive set.
272	Transmit aborted frames for the port viewed. This can be due to aging, flushing, or abortion decision by the rewriter.
512 + 513	Green and yellow drops for service counter viewed.
768–769	Green and yellow transmissions for service counter viewed.

The service counters are reduced in size; 10 bits for the frame part and 18 bits for the octet part. However, STAT_CFG.STAT_SRV_PKT_ONLY can be set to use all 28 bits for frame counting.

All the counters wrap at their maximum capacity. The STAT_CFG.STAT_WRAP_DIS, however, can be set to change the behavior to clear on read and to saturate at the maximum value.

Tail drops done by the buffer control are accessible in the QSYS::MMGT_TAIL_DROP registers.

The following tables lists the registers associated with statistics access.

Table 166 • Statistics Registers Overview

Register	Description	Replication
XQS::STAT_CFG	Selects which counter set index to access. Clear counters.	None
XQS::CNT	Replicated register with statistics access.	1,024
XQS::DP_MAP	Maps DP levels to color.	None

Examples:

To read number of transmitted yellow frames for service counter 714:

1. Write 714 to STAT_VIEW in QSYS::STAT_CFG.
2. Read XQS::CNT[385].

To read number of discarded green octets with QoS class 4 on port 9:

1. Write 9 to STAT_VIEW in QSYS::STAT_CFG.
2. Read XQS::CNT[76] for the least significant bits.
3. Read XQS::CNT[140] for the most significant bits.

To read number of aborted frames on port 53:

1. Write 53 to STAT_VIEW in XQS::STAT_CFG.
2. Read XQS::CNT[272].

To read all counters for port 19:

1. Write 19 to STAT_VIEW in XQS::STAT_CFG.
2. Read XQS::CNT[0:15, 256:272].
3. Add 64 and 128 to above indices for octets.

3.22.9.5 Energy Efficient Ethernet (EEE) Control

The front ports are able to signal low power idle (LPI) towards the MACs, in case they request the PHYs to enter low power mode. A controller in each port module assures that frames are not transmitted when the PHYs are powered down. This controller powers the PHY down when there is nothing to transmit for a while, and it powers up the PHY when there is either data ready for a configurable time or when the queue system has urgent data ready requiring transmission as soon as possible.

The following table lists the registers with configuring EEE.

Table 167 • EEE Registers Overview

Register	Description	Replication
QSYS::EEE_CFG	Configures the priorities per port which should bring the port alive as fast as possible.	Per port
QSYS::EEE_THRES	Configures the amount of cells or frames pending for a priority before the port should request immediate power up.	Per port

Example: Configure the device to power up the PHYs when 10 frames are pending.

Only ports 3 through 6 should regard their data as urgent and only for priorities 6 and 7. All other data should get transmitted when the EEE controller in the port has seen pending data for the controller configured time.

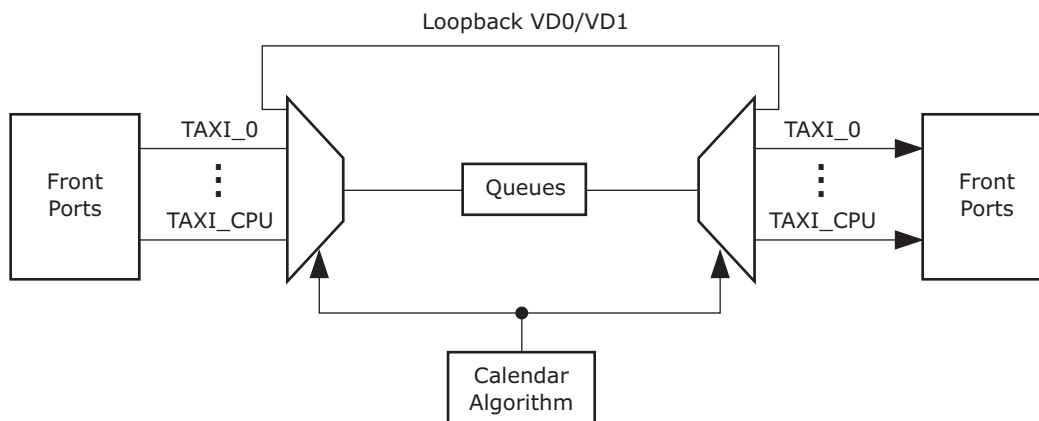
1. Write 10 to QSYS::EEE_THRES:EEE_HIGH_FRAMES.
2. Write 0xC0 to QSYS::EEE_CFG[3–6]::EEE_FAST_QUEUES.

3.22.9.6 Calendar Setup

There are a number of logical ports, all needing bandwidth into and out of the queue system. This is controlled through a calendar module that grants each port access to internal busses.

The following illustration shows an overview of the internal busses. All ports are connected to a port data bus (taxi bus) and granted access to the chip core through a mux obeying the calendar decision. Similarly, on the path towards the transmit interface, a mux controls which port transmits the next time.

Figure 61 • Internal Bus



The front ports are connected to taxi busses and must be guaranteed bandwidth corresponding to their line speed. The internal CPU ports and loopback paths can operate up to 10 Gbps (7.5 Gbps for VD0).

In any port configuration, a subset of the ports is enabled. The calendar algorithm is the central place where bandwidth is distributed between the ports. The calendar algorithm can be controlled by two methods: automatic or sequenced.

In the automatic calendar configuration, a configuration per port defines if the port is granted 0 Gbps, 1 Gbps, 2.5 Gbps, or 10 Gbps bandwidth. For the four internal ports, the bandwidth granted is half of these choices. In other words, internal CPU port 1 can be granted 1.25 Gbps in bandwidth.

In the sequenced operation, a specific sequence of port numbers forms the calendar. The port sequence controls which port is granted the cycle, per bus cycle (two system clock periods).

The algorithm mode is configured in CAL_CTRL.CAL_MODE. It is possible through this register to program a manual sequence, to halt the calendar, and to select between sequenced and automatic calendars.

Both calendar modes may leave some slots unallocated and therefore idle on the busses. These idle cycles can be used for configuration access (which will wait for unused cycles) and other slow operations in the system (MAC table scan, for example). Slots allocated for a port and not used due to lack of data to transfer can be used by the internal ports through the HSCH::OUTB_* registers, where it is, per internal port, configured how often it will seek granting of an unused cycle. Setting internal CPU port 0 to seek access every eight cycles means that it can get up to one frame transfer every 64 ns, or approximately 10 Gbps.

In the ingress side, the loopback paths can use idle cycles if enabled in the assembler, which controls the ingress mux. In the egress side, the two ports can use idle slots if enabled by the calendar configuration. Port 55 (IP multicasting), in this case, takes precedence if both loopback ports are ready to transmit.

The following table list the registers associated with configuring the calendar function.

Table 168 • Calendar Registers Overview

Register	Description
CAL_CTRL	Calendar function mode. Configures auto-grant rate.
OUTB_SHARE_ENA	Enables granting unused bus cycles to the internal ports (CPU and VD) on the egress side.
OUTB_CPU_SHARE_ENA	Configures bandwidth sharing between the two internal CPU ports.
CAL_SEQ	Interface to the sequence memory. See register list.
CAL_AUTO	Per port setting with requested bus bandwidth.

3.23 Automatic Frame Injector

The automatic frame injector (AFI) provides mechanisms for periodic injection of PDUs such as 1588 PDUs.

The following blocks are involved in frame injection.

- QSYS. The frames are sent into the queue system by the CPU and stored in the queue system until deleted by software.
- AFI. Using timers and other parameters, AFI controls the automatic frame injection.
- REW. For outbound data path injections, the REW performs frame modifications.
- Loopback path. The loopback path (VD1) between the disassembler and assembler is used to inject frames into the inbound data path.
- ANA. For inbound data path injections, the ANA performs modifications of frames.

AFI supports two types of automatic frame injection: timer triggered (TTI) and delay triggered (DTI).

- Timer Triggered Injection (TTI). Frame injection rate is controlled by timers with typical values of approximately 3 ms or higher. Only single-frame injections are supported; injection of sequences of frames is not supported.

For each frame, jitter can be enabled for the associated injection timer.

Timer triggered injection can be combined with delay triggered injection.

- Delay Triggered Injection (DTI). A sequence of frames, including configurable delay between frames, is injected.

Delay triggered injection can be combined with TTI, such that DTI is used to inject a (high) background load (imitating normal user traffic), and TTI is used to inject OAM PDUs for measuring IR, FLR, FTD, and FDV.

AFI supports up to 32 active DTI frame sequences at a time.

3.23.1 Injection Tables

The main tables used to configure frame injection are frame table, DTI table, and TTI table.

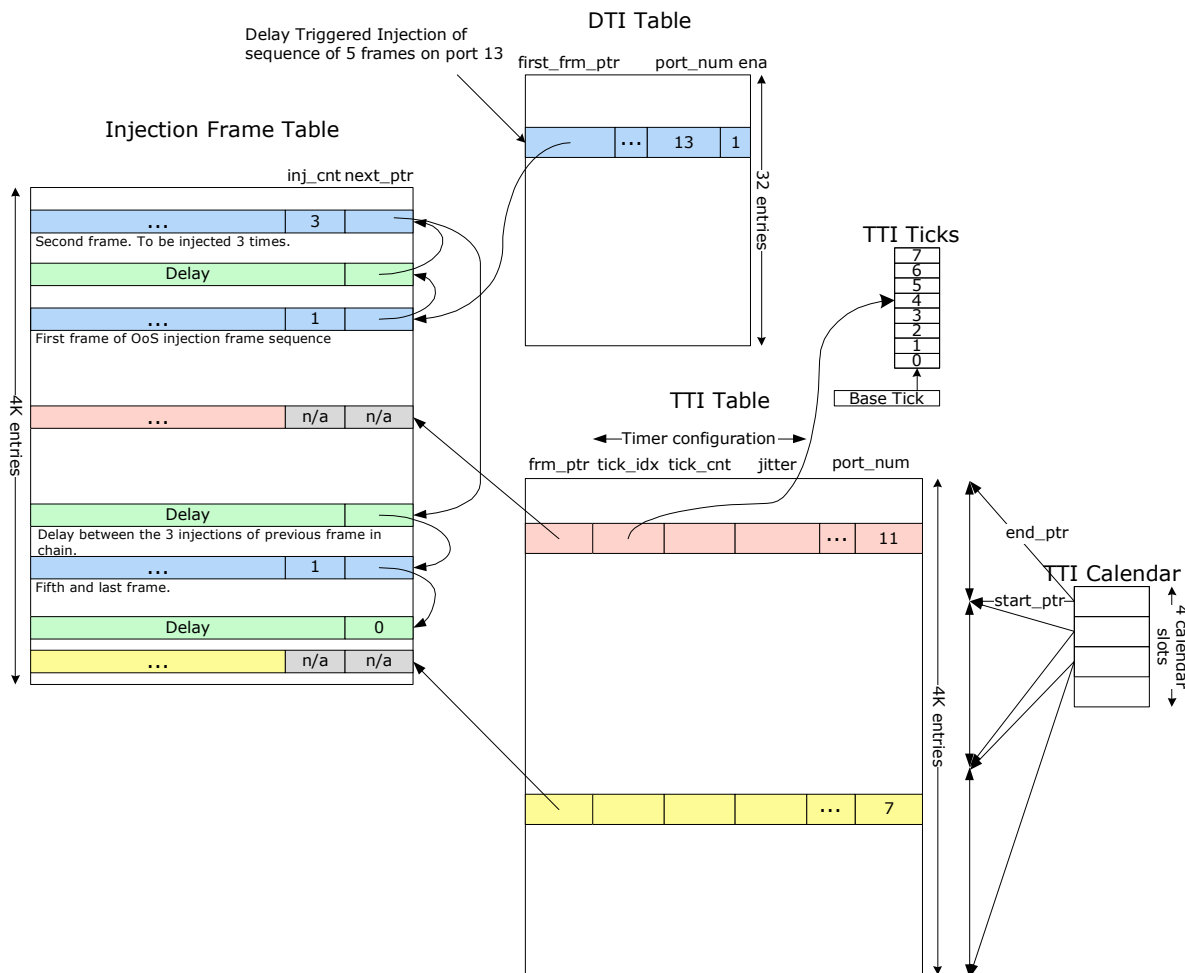
Injection frames for both TTI and DTI are configured in the frame table. The frame table itself does not hold the frame, but rather a pointer to where the frame is located in the buffer memory within QSYS.

For DTI, frames can be configured into a linked list of frames to be injected. Each frame in the linked list may be configured to be injected multiple times before proceeding with the next frame in the chain. Each frame in the sequence is followed by one or more delay entries, specifying the delay between injections.

Timers for each TTI frame are configured in the TTI table. TTIs are always single frame injections, so the inj_cnt and next_ptr fields in the frame table are unused for TTI. Delay entries are not used for TTI.

The TTI calendar controls the frequency with which different parts of the TTI table are serviced.

Figure 62 • Injection Tables



3.23.2 Frame Table

The following table lists the registers associated with configuring parameters for each entry in the frame table.

Table 169 • Frame Table Entry Register Overview (4,096 entries)

Register	Field	Description
FRM_NEXT_AND_TYPE	NEXT_PTR	Next entry in table. Does not apply for TTI.
FRM_NEXT_AND_TYPE	ENTRY_TYPE	Entry type: Frame or Delay entry. Does not apply for TTI.

Table 169 • Frame Table Entry Register Overview (4,096 entries) (continued)

Register	Field	Description
ENTRY_TYPE=Frame FRM_ENTRY_PART0	INJ_CNT	Number of times to inject frame. Does not apply for TTI.
	FRM_RM	Frame removal. See Removing Injection Frames , page 245.
	FRM_GONE	Frame removal.
	FRM_INFO	Frame information. See MISC:NEW_FRM_INFO.FRМ_INFO.
ENTRY_TYPE=Delay FRM_ENTRY_PART0	DELAY	Delay between injection of start of frames. Unit is one system clock cycle. Does not apply for TTI.

3.23.3 Delay Triggered Injection

Delay triggered injection supports up to 32 flows at a time. For each DTI flow, the DTI table holds a pointer to a sequence of frames and delay entries, as well as the queue and port number, into which the frames are injected. The NEXT_PTR field of the frame table is used to link frames and delay entries together into a sequence. The frame sequence can have any length, only limited by the size of the frame table.

Each DTI sequence can be configured to be injected repeatedly until stopped, or injected a specified number of times. For example, if the frame sequence consists of five frames with INJ_CNT = 1, and the sequence is configured to be injected 1000 times, then a total of 5000 frames will be injected.

DTI can be used in conjunction with TTI, for example, using TTI to inject OAM PDUs for measuring performance metrics of the service.

The following table lists the registers associated with configuring the parameters for each of the 32 entries in the DTI table.

Table 170 • DTI Table Entry Registers Overview

Register	Field	Description	Replication
DTI_MODE	MODE	Mode of DTI instance.	Per DTI
DTI_MODE	TRAILING_DELAY_SEQ_CNT	Only applies “trailing delay” for every Nth sequence injection. See Fine Tuning Bandwidth of Multiframe Sequence , page 236.	Per DTI
DTI_FRM	FIRST_FRM_PTR	Pointer to first frame in frame sequence.	Per DTI
DTI_FRM	NEXT_FRM_PTR	Pointer to next frame in frame sequence.	Per DTI
DTI_CNT	CNT	Counter (mode dependent).	Per DTI
DTI_PORT_QU	PORT_NUM	Port number on which injection queue transmits.	Per DTI
DTI_PORT_QU	SE_IDX	Injection queue. See Injection Queues , page 244.	Per DTI
DTI_PORT_QU	SE_INP	Injection queue.	Per DTI

Table 171 • Miscellaneous DTI Parameters

Register	Field	Description	Replication
DTI_CTRL	BW	Bandwidth of DTI flow 0: <5 Gbps 1: ≥5 Gbps	Per DTI
DTI_CTRL	ENA	Enables DTI	Per DTI

Frame entries in a DTI sequence may point to the same frame in the queue system's buffer memory. For example, shown in the following illustration, frame A and frame B shown may point to the same frame in the buffer memory.

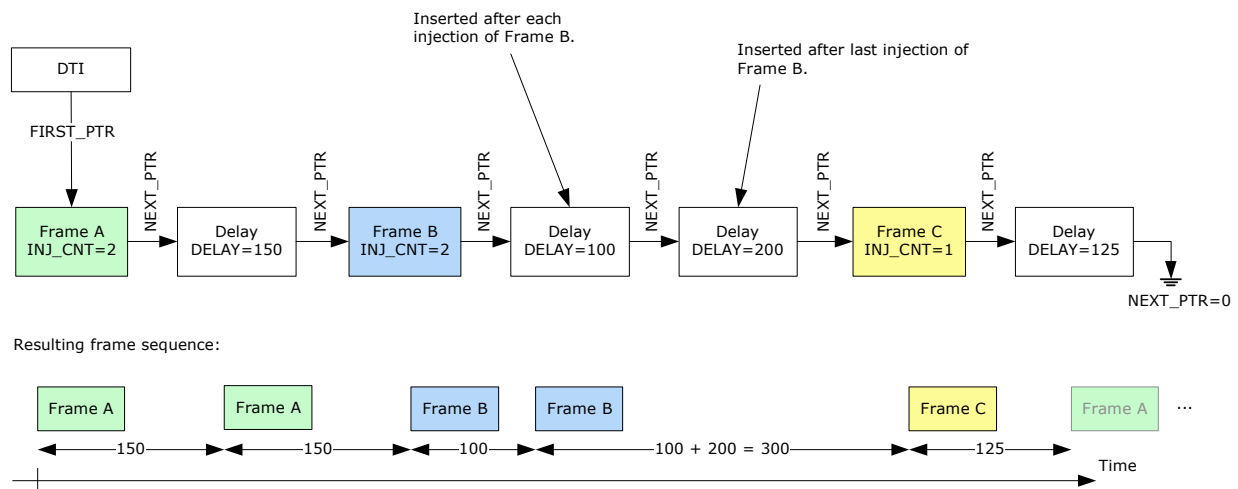
The delay entries in a DTI sequence must be configured such that they are longer than the transmission time (given the port speed) of the preceding frame in the sequence.

If a DTI sequence is configured with two consecutive frame entries, then these will be injected with a minimum delay of approximately 14 clock cycles.

3.23.3.1 Frame-Delay Sequence

A DTI flow typically consists of a sequence of alternating frame/delay entries in the frame table. If a given frame is to be injected multiple times ($FRM_ENTRY_PART0.INJ_CNT > 1$), then the delay of the following entry in the sequence is applied after each injection. If additional delay is required after the last injection, then this can be achieved by an additional delay entry. The use of delay entries is shown in the following illustration.

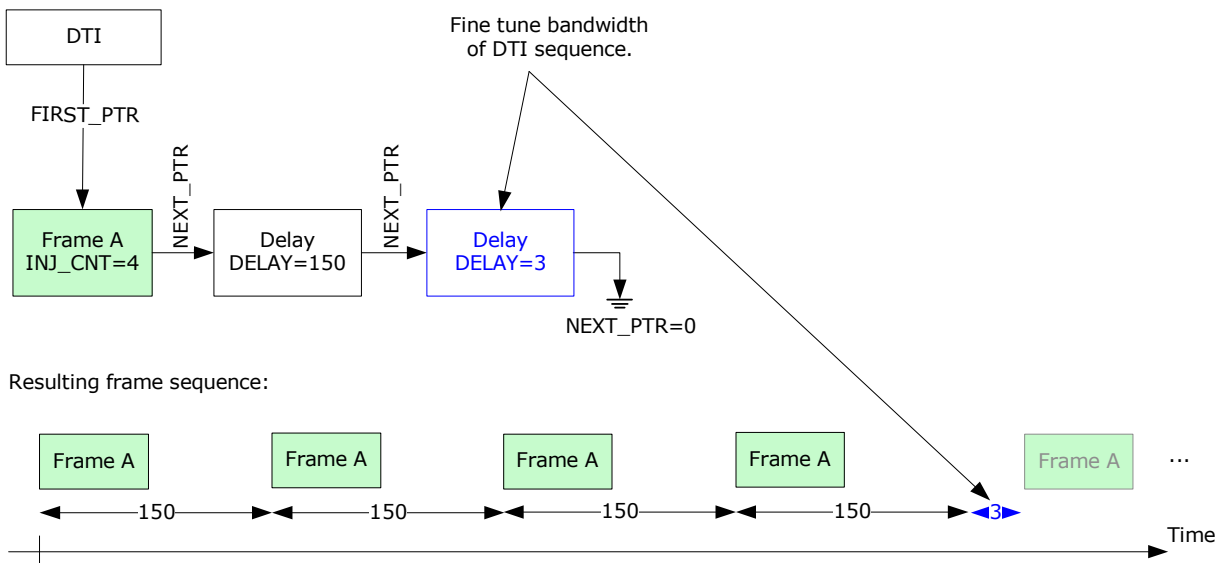
Figure 63 • DTI Frame/Delay Sequence Example



3.23.3.2 Bandwidth Fine Tuning

The combination of INJ_CNT and two following delay entries can be used to fine tune the rate generated by a DTI flow. This is shown in the following illustration, where a small delay after the four injections of frame A is used to fine tune the rate of the DTI flow.

Figure 64 • Fine Tuning Bandwidth of DTI Sequence



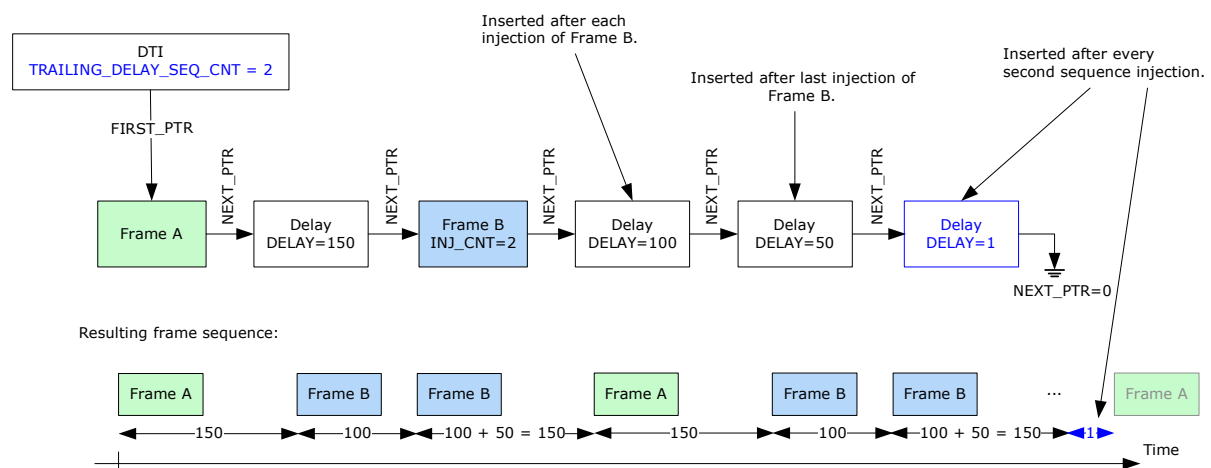
By combining the setting of INJ_CNT and the DELAY value of the last delay depicted, the bandwidth of the DTI sequence can be controlled with high granularity, because the additional (blue) delay will only be applied for every INJ_CNT injections of frame A.

The bandwidth adjustment mechanism shown may be insufficient for controlling the bandwidth of multi-frame sequences (sequences with different frames), because the last delay will be applied for every injection of the frame sequence.

3.23.3.3 Fine Tuning Bandwidth of Multiframe Sequence

For multiframe sequences, additional fine tuning of the bandwidth of the entire sequence can be achieved by configuring the last delay in the sequence, also known as the “trailing delay”, to only be applied for every Nth injection of the sequence. This is achieved using the TRAILING_DELAY_SEQ_CNT parameter and is shown in the following illustration.

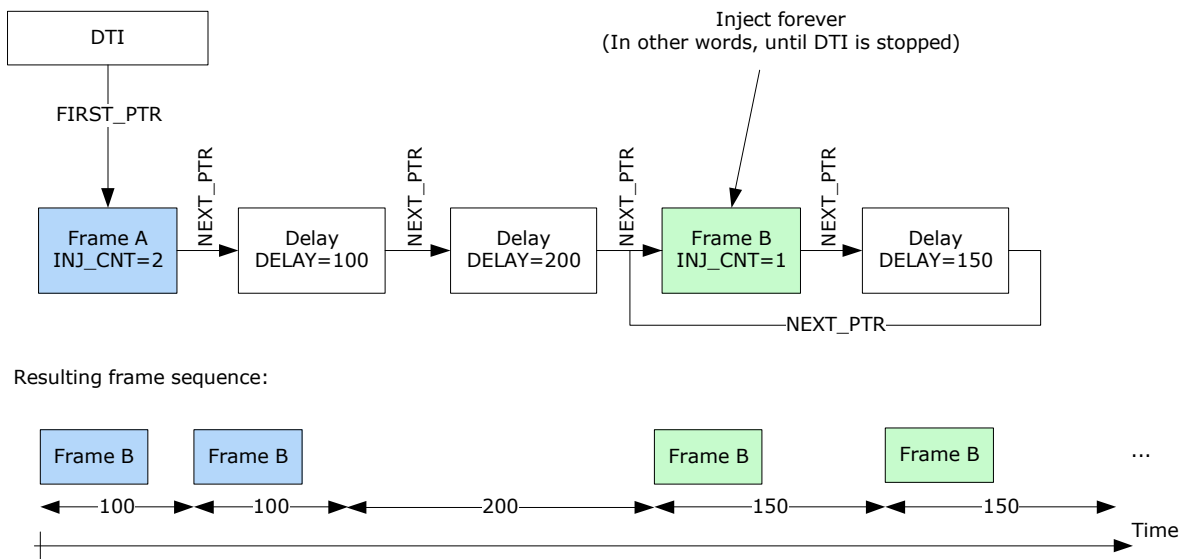
Figure 65 • Fine Tuning Bandwidth of Multiframe DTI Sequence



3.23.3.4 Burst Size Test Using Single DTI

If a NEXT_PTR is set to point back to a previous entry in the sequence, then injection will continue forever, that is, until the DTI is stopped. This is depicted in the following illustration. The configuration shown can be used for leaky bucket burst size testing, where the first part of the sequence empties the bucket, followed by a steady frame flow with the rate of the leaky bucket.

Figure 66 • DTI Frame/Delay Sequence Using Inject Forever

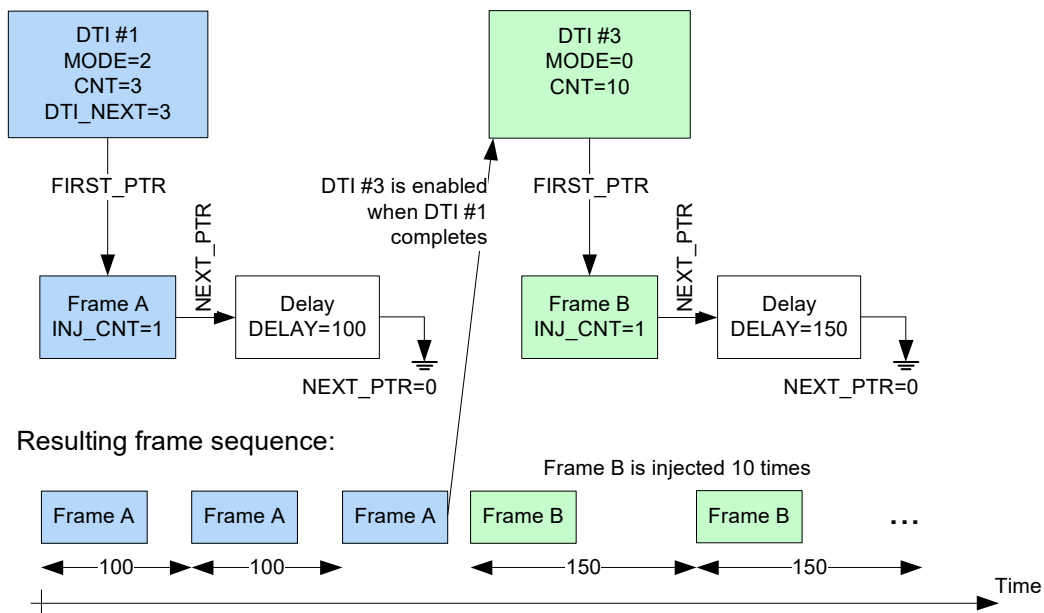


3.23.3.5 Burst Size Test Using DTI Concatenation

Two (or more) DTIs can be concatenated, such that when one DTI completes, another DTI is activated. This is depicted in the following illustration. It can be used for leaky bucket burst size testing, where the first part of the sequence empties the bucket, followed by a steady frame flow with the rate of the leaky bucket.

Note that when DTI concatenation is used, the last delay entry in the frame-delay sequence of the first DTI is not awaited before starting the next DTI. That is, the next DTI is started when the first DTI reads an entry with NEXT_PTR = 0. As shown in the illustration, the delay between the last Frame A and the first Frame B will not be 150 clock cycles, but instead approximately 12 clock cycles. If this is considered problematic, it can be addressed by using an additional DTI with a sequence consisting only of two delay entries. For example, DTI #2 could be inserted between DTI#1, and DTI#3 and DTI#2 could then be configured with a sequence consisting of two delay entries, with the first having delay = 150.

Figure 67 • DTI Concatenation



3.23.3.6 DTI Bandwidth

For 64 bytes frames, AFI can inject up to 12 Gbps for a single DTI flow or inject a total bandwidth, across all DTI flows, of up to 42 Gbps.

Higher injection bandwidths can be supported for frame sizes larger than 64 bytes.

Injections into ingress data path must be forwarded through VD1. For 64 bytes frames, the maximum bandwidth through VD1 is 12 Gbps.

Note: Depending on port configuration, cell bus bandwidth may impose additional bandwidth limitation.

The bandwidth which a DTI is injecting into a queue must not exceed the bandwidth, which HSCH is transmitting from the queue, because the port's FRM_OUT_MAX will then be reached, thus possibly affecting other DTIs injecting on the same port. For more information, see [Port Parameters](#), page 245. The only exception is if there is only one DTI injecting on the port, because there are no other DTIs that could be affected.

3.23.3.7 DTI Sequence Processing Time

For high bandwidth DTI flows, the time it takes to process the delays and frames in a DTI sequence must be taken into account:

- Processing a frame entry with no succeeding delay entry takes 12 clock cycles.
- Processing a frame entry with a succeeding delay entry takes 12 clock cycles.
- Processing a delay entry, which does not succeed a frame entry takes 12 clock cycles.

For example, a sequence consisting of a frame entry followed by two delay entries will take 24 clock cycles to process. If the frame is a 64-byte frame, and the clock period is 4 ns, this will correspond to a maximum flow bandwidth of approximately 7 Gbps $((64 + 20) \times 8 \text{ bits} / (24 \times 4 \text{ ns}) = 7 \text{ Gbps})$, regardless of the delay values configured for the two delays.

Although it takes 12 clock cycles to process a delay entry, it is valid to configure a delay entry with a delay smaller than 12 clock cycles, because this will be compensated for when generating the delay between later frames in the sequence. For more information, see [Figure 65](#), page 236. For example, the delay between the rightmost frame B and the succeeding frame A will be 150 + 12 clock cycles (instead of 150 + 1). To compensate for this, however, the delay between the succeeding two frames A will be 150 – 11 clock cycles.

3.23.4 Timer Triggered Injection

For TTIs, frame injection is controlled by timers. To control the time between injections, configure the following registers for each TTI:

- TTI_TIMER.TICK_IDX. For each TTI, one of eight configurable timer ticks shown in the following table must be chosen.
- TTI_TIMER.TIMER_LEN. The number of timer ticks that must elapse between each injection.

That is, the period between each injection becomes tick_period × TIMER_LEN.

The following table lists the registers associated with TTI timer ticks.

Table 172 • TTI Timer Ticks Registers Overview

Register	Field	Description	Replication
TTI_TICK_LEN_0_3	LEN0 - LEN7	Length of timer ticks.	8
TTI_TICK_LEN_4_7		The length of each of the eight timer ticks is specified as multiples of the length of the preceding timer tick (that is, <tick_idx>-1). Timer 0 is the shortest timer tick, and timer tick 7 is the longest. Tick 0 is specified in multiple of TTI_TICK_BASE (default 52 μ s).	
		Default configuration:	
		tick_idx tick_len Tick_Period	
		0 1 52 μ s (1 \times 52 μ s)	
		1 8 416 μ s (8 \times 52 μ s)	
		2 8 3.3 ms (8 \times 416 μ s)	
		3 3 10 ms (3 \times 3.3 ms)	
		4 10 100 ms (10 \times 10 ms)	
		5 10 1 second (10 \times 100 ms)	
		6 10 10 seconds (10 \times 1 sec)	
		7 6 1 minute (6 \times 10 sec)	
TTI_TICK_BASE	BASE_LEN	Length of TTI base tick in system clock cycles.	1

The following table lists the registers associated with configuring parameters for each of the 4K entries in the TTI table.

Table 173 • TTI Parameters (4096)

Register	Field	Description	Replication
TTI_PORT_QU	PORT_NUM	Port number on which injection queue transmits.	Per TTI
TTI_PORT_QU	SE_IDX SE_INP	Injection queue. See Injection Queues , page 244.	Per TTI
TTI_TIMER	TICK_IDX	Which of the eight timer ticks is used by the timer controlling the injection of this frame.	Per TTI
TTI_TIMER	JITTER_MODE	Enables jitter for the number of timer ticks between each injection of this frame. 0: No jitter. 1: Timer is set to a random value in the range [TIMER_LEN*0.75; TIMER_LEN]. 2: Timer is set to a random value in the range [TIMER_LEN*0.50; TIMER_LEN]. 3: Timer is set to a random value in the range [1;TIMER_LEN].	Per TTI
TTI_TIMER	TIMER_LEN	Number of timer ticks between each injection of this frame. 0: Disables timer. 0xff: Injects frame next time the entry is serviced. After servicing, hardware sets TIMER_LEN to 0. This is intended to be used during removal of frame from buffer memory. See Removing Injection Frames , page 245.	Per TTI
TTI_FRM	FRM_PTR	Points to the frame (in frame table), which the TTI injects.	Per TTI
TTI_TICKS	TICK_CNT	Number of ticks until next injection. Should be set to a random value in the range 1-TIMER_LEN before starting TTI.	Per TTI
TTI_MISC_CFG	INJ_CNT_ENA	Enables counting of injected frames in TTI_MISC:TTI_INJ_CNT.TTI_INJ_CNT.	Per TTI

An entry in the TTI table is checked approximately every two clock cycles. If the TTI's tick (configured through TICK_IDX) has changed, then the TICK_CNT is decremented. If it becomes zero, the frame is injected, and TICK_CNT is set to TIMER_LEN.

3.23.4.1 TTI Calendar

In default configuration, TTI table entries are serviced from 0-4095, then restarted again at entry 0.

When configuring the TTI table, the following must be considered:

- It takes up to 4 clock cycles, worst-case, to service an entry in the TTI table.
- A TTI must be serviced more frequently than the frequency of the TTI's tick (see TTI_TIMER.TICK_IDX).

This means that looping through the entire TTI table may take $4096 \times 4 = 16384$ clock cycles. With a clock period of 4 ns, this corresponds to approximately 66 μ s. In other words, no TTI must use a tick faster than 66 μ s.

If TTIs faster than 66 μ s are required, the TTI calendar can be used to have some entries in the TTI table serviced more often than others, meaning the TTI table can be split into sections with TTIs using ticks of different speeds.

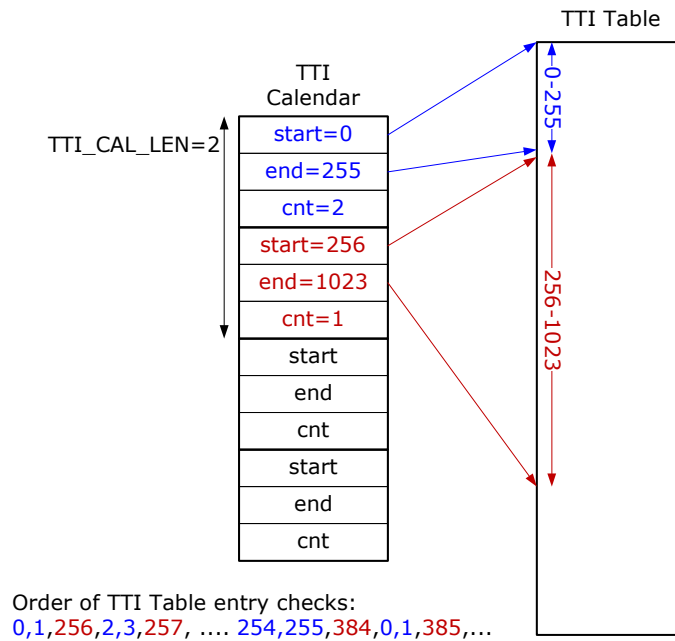
The TTI calendar consists of four entries, as described in Table 6

Table 174 • TTI Calendar Registers Overview

Register	Field	Description	Replication
TTI_CAL_SLOT_PTRS	SLOT_START_PTR SLOT_END_PTR	Calendar slot's frame table start and end pointer.	4
TTI_CAL_SLOT_CNT	SLOT_CNT	Number of TTIs to service in slot before moving to next TTI calendar slot.	4
TTI_CTRL	TTI_CAL_LEN	Length of TTI calendar.	1
TTI_CTRL	TTI_INIT	When set, initializes calendar to start at calendar slot 0. Cleared by AFI when done.	1

The following illustration shows a configuration for the TTI calendar. In this case, only TTI entry 0-1023 are being used.

Figure 68 • TTI Calendar Example



In the example, it takes $(256/2) \times (1 + 2) \times 4 = 1536$ clock cycles to service all TTIs in the blue section. With a clock cycle of 4 ns, the TTIs in the blue section must not use ticks faster than $1536 \times 4 = 6144$ ns.

Similarly, the 768 TTIs in the red section must not use ticks faster than $(768/1) \times (1 + 2) \times 4 \text{ ns} = \sim 36.9 \mu\text{s}$

3.23.4.2 Other TTI Parameters

Other TTI-related parameters are listed in the following table.

Table 175 • Miscellaneous TTI Registers Overview

Register	Field	Description	Replication
TTI_CTRL	TTI_ENA	Enables TTI. Before enabling TTI, TTI_INIT should be used to initialize calendar state.	1
TTI_INJ_CNT	TTI_INJ_CNT	Number of TTI injections. Enabled per TTI using TTI_TBL:TTI_MISC_CFG.INJ_CNT_ENA.	1

3.23.4.3 TTI Table Update Engine (AFI TUPE)

The AFI Table Update Engine (AFI TUPE) can be used to quickly update a large number of entries in the TTI Table such as disabling or enabling timers in fail-over scenarios. AFI TUPE related parameters are listed in the following table. The parameters prefixed with CRIT are used to specify the criteria, which TTIs fulfill in order for TUPE to apply.

Table 176 • AFI TUPE Registers Overview

AFI:TUPE Register	Field	Description	Replication
TUPE_MISC	TUPE_START	Start TUPE.	1
TUPE_MISC	CRIT_TUPE_CTRL_VAL_ENA	Enable use of CRIT_TUPE_CTRL_VAL and CRIT_TUPE_CTRL_MASK.	1
TUPE_MISC	CRIT_PORT_NUM_ENA	Enable use of CRIT_PORT_NUM_VAL.	1

Table 176 • AFI TUPE Registers Overview (continued)

AFI:TUPE Register	Field	Description	Replication
TUPE_MISC	CRIT_QU_NUM_ENA	Enable use of CRIT_QU_NUM_VAL.	1
TUPE_MISC	CMD_TIMER_ENA_ENA	Enable use of CMD_TIMER_ENA_VAL.	1
TUPE_MISC	CMD_TIMER_ENA_VAL	TUPE command parameter: New TIMER_ENA value.	1
TUPE_MISC	CMD_PORT_NUM_ENA	Enable use of CMD_PORT_NUM_VAL.	1
TUPE_MISC	CMD_QU_NUM_ENA	Enable use of CMD_QU_NUM_VAL.	1
TUPE_ADDR	TUPE_START_ADDR	First address in TTI table for AFI TUPE to process.	1
TUPE_ADDR	TUPE_END_ADDR	Last address in TTI table for AFI TUPE to process.	1
TUPE_CRIT1	CRIT_PORT_NUM_VAL	TUPE criteria parameter controlling which TTI table entries to update.	1
TUPE_CRIT1	CRIT_QU_NUM_VAL	TUPE criteria parameter controlling which TTI table entries to update.	1
TUPE_CRIT2	CRIT_TUPE_CTRL_MASK	TUPE criteria parameter controlling which TTI table entries to update.	1
TUPE_CRIT3	CRIT_TUPE_CTRL_VAL	TUPE criteria parameter controlling which TTI table entries to update.	2
TUPE_CMD1	CMD_PORT_NUM_VAL	TUPE command parameter: New PORT_NUM value.	1
TUPE_CMD1	CMD_QU_NUM_VAL	TUPE command parameter: New QU_NUM value.	1

The following TTI parameters can be used as part of the TUPE criteria:

- PORT_NUM
- QU_NUM
- TUPE_CTRL

The parameters prefixed "CMD" specify the commands, which are applied to any TTIs, which fulfill the TUPE criteria. Using the TUPE command parameters, the following TTI parameters can be changed:

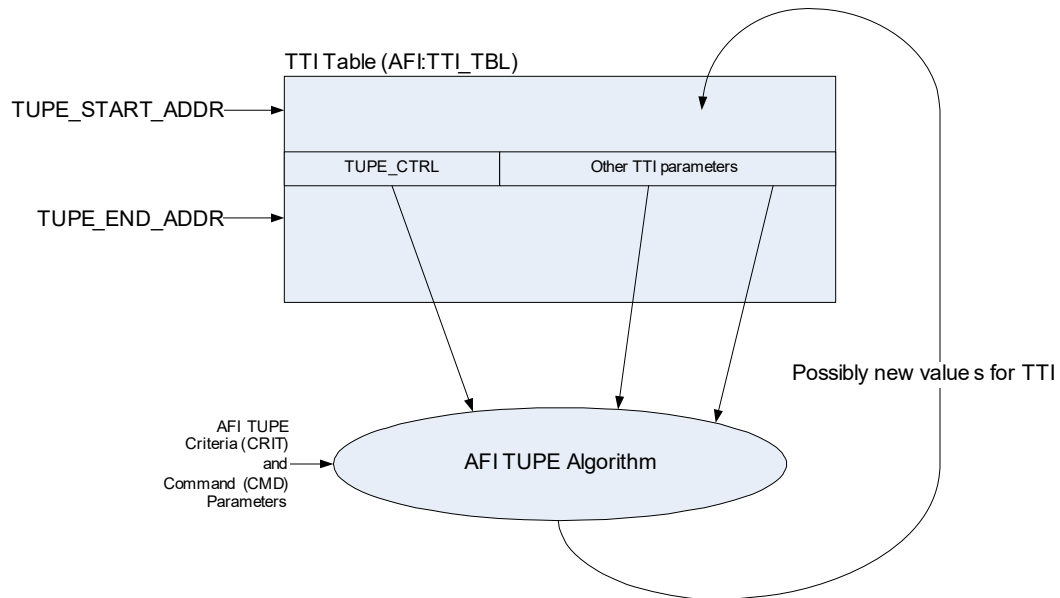
- TIMER_ENA
Timers can be enabled/disabled.
- PORT_NUM
Injections can be moved to a different port.
- QU_NUM
Injections can be moved to a different queue.

While TUPE is running no injections will be performed for any TTIs which match the configured TUPE criteria and fall within the configured TUPE address range.

The TUPE_CTRL field in the TTI Table can be used to classify TTIs into different groups, such that a TUPE command can easily address all TTIs within such group.

The following illustration depicts the AFI TUPE functionality.

Figure 69 • AFI TUPE



The full algorithm used by AFI TUPE is shown in the following pseudo code. Configuration parameters are prefixed “csr.”

```
// AFI Table UPDate Engine (AFI TUPE) Algorithm

bool tupe_ctrl_match;

for (addr = csr.tupe_start_addr; addr < csr.tupe_end_addr; addr++) {
    tti_tbl_entry = tti_tbl[addr];

    tupe_ctrl_match = FALSE;
    for (i = 0; i < 2; i++) {
        if ((tti_tbl_entry.tupe_ctrl & csr.crit_tupe_ctrl_mask) ==
            csr.crit_tupe_ctrl_val[i]) {
            tupe_ctrl_match = TRUE;
        }
    }

    if (
        (// Check matching TUPE_CTRL value
         tupe_ctrl_match)
        &&
        (// If enabled, check if TTI's PORT_NUM matches csr.crit_port_num_val
         !csr.crit_port_num_ena
          ||
          (tti_tbl_entry.port_num == csr.crit_port_num_val))
        &&
        (// If enabled, check if TTI's QU_NUM matches csr.crit_qu_num_val
         !csr.crit_qu_num_ena
          ||
          (tti_tbl_entry.qu_num == csr.crit_qu_num_val))
        ) {
        // TTI fulfills criterias => Apply TUPE command to TTI

        // timer_ena
        if (csr.cmd_timer_ena_ena) {
```

```

    tti_tbl_entry.timer_ena = csr.cmd_timer_ena_val;
  }

  // port_num
  if (csr.cmd_port_num_ena) {
    tti_tbl_entry.port_num = csr.cmd_port_num_val;
  }

  // qu_num
  if (csr.cmd_qu_num_ena) {
    tti_tbl_entry.qu_num = csr.cmd_qu_num_val;
  }

  // Write back to TTI table
  tti_tbl[addr] = tti_tbl_entry;
}
}

```

3.23.5 Injection Queues

DTI and TTI may inject into any egress queue in the queue system. In injection context, the queues can be divided into the following categories:

- Normal queues. These queues are processed by each level of SEs in HSCH. Frames injected into such queues are thus subject to the M-DWRR and shaping algorithms of the SEs. Frames are injected into the tail of the selected queue.
- Port injection queue without shaping. These queues, one for each port, inject frames on the port with higher priority than normal queues. The state of the DLB shaper is disregarded and is not updated with the size of the transmitted frame.

Injected frames are injected into the tail of the queue, but due to the high priority, the queue will normally be (almost) empty.

- Port injection queue with shaping. These queues, one for each port, inject frames on the port with higher priority than normal queues. The state of the port shaper is respected and is updated with the size of the transmitted frame.

Injected frames are injected into the tail of the queue, but due to the high priority, the queue will normally be (almost) empty.

The queue into which a TTI or DTI injects frames is controlled by the QU_NUM parameter. The actual value to be used for this parameter depends on the HSCH configuration. For more information, see [Queue Mapping](#), page 219.

For injections into the ingress data path, frames must be looped through VD1 and QU_NUM must be configured to select a VD1 queue.

3.23.6 Adding Injection Frame

To add a frame for injection by AFI, the CPU must follow this procedure.

1. Set AFI::MISC_CTRL.AFI_ENA to 1 before using AFI.
2. Send the frame to AFI. AFI_INJ must be set in the IFH. For more information, see [Frame Headers](#), page 14.
3. Poll AFI::NEW_FRM_CTRL.VLD to await the frame being received by AFI.
4. When the frame has been received by AFI, then copy frame information from AFI::NEW_FRM_INFO to an unused entry in the Frame table.
5. Clear AFI::NEW_FRM_CTRL.VLD.
6. TTI: Set up the TTI table to have the frame injected with the desired interval and to the desired queue and port. For more information, see [Timer Triggered Injection](#), page 238.
7. DTI: For injection of a sequence of frames, repeat steps 1 through 4.

Set up the DTI Table to inject the frames. For more information, see [Table 170](#), page 234.

Configure other DTI parameters. For more information, see [Table 171](#), page 234.

3.23.7 Starting Injection

TTI is enabled by using TTI_INIT to initialize and then setting TTI_ENA = 1.

Each TTI is started by setting TIMER_LEN a non-zero value.

Each DTI is started by setting DTI_CTRL.ENA = 1.

3.23.8 Stopping Injection

Each TTI is stopped by setting TIMER_LEN to 0.

All TTIs can be stopped by setting TTI_ENA = 0.

Each DTI is stopped by setting DTI_CTRL.ENA = 0.

3.23.9 Removing Injection Frames

This section provides information about removing a single frame (TTI) or frame sequence (DTI) from the buffer memory.

3.23.9.1 Single Frame (TTI)

To remove a single frame from buffer memory, the frame must be injected one more time. This “removal injection” does not result in a frame transmission, but purely serves to remove the frame from the buffer memory.

Use the following procedure to remove a single frame from buffer memory.

1. Set the FRM_RM bit for frame in the frame table.
2. For TTI: Set TIMER_LEN to 0x1ff.
3. Poll the FRM_GONE bit until it gets set by AFI.

When performing removal injection, injection must be enabled for the corresponding port by setting AFI:PORT_TBL[<port>]:PORT_CFG.FRAME_OUT_MAX != 0.

3.23.9.2 Frame Sequence (DTI)

Use the following procedure to remove a DTI frame sequence from buffer memory.

1. Disable the DTI by setting DTI_CTRL.ENA = 0.
2. Set the FRM_RM bit for each frame to be removed in the frame table.
3. Set DTI_FRM.NEXT_FRM_PTR to DTI_FRM.FIRST_FRM_PTR.
4. Set DTI_MODE.MODE = 0.
5. Set DTI_CNT.CNT = 1.
6. Set DTI_MODE.FRAME_INJ_CNT to 0.
7. Optionally, set all delays in sequence to 0 to speed up the removal procedure.
8. Set DTI_CNT_DOWN.CNT_DOWN to 0.
9. Set DTI_CTRL.ENA to 1 to enable the DTI.
10. Poll the FRM_GONE for the last frame to be removed until the bit gets set by AFI.

This procedure causes the frames to be injected one last time and through this, be removed from buffer memory. The frames will not actually be transmitted on the destination port.

When performing removal injection, injection must be enabled for the corresponding port by setting AFI:PORT_TBL[<port>]:PORT_CFG.FRAME_OUT_MAX != 0.

3.23.10 Port Parameters

To ensure that the queue system does not overflow with injected frames, for example, if a port is in flow control, an upper bound on the number of injected, but not yet transmitted, frames per port can be configured in FRM_OUT_MAX.

If FRM_OUT_MAX is reached, then any DTI injections are postponed until the number of outstanding frames falls below FRM_OUT_MAX. TTI injections uses a slightly higher limit of

FRM_OUT_MAX+TTI_FRM_OUT_MAX. This ensures that TTI injection are still possible, even if a DTI flow faster than the port speed has been configured.

If PFC is used in conjunction with automatic frame injection, then either all frames must be injected into queues controlled by the same flow control priority, or all frames must be injected into queues that cannot be stopped by PFC.

If EEE is used in conjunction with automatic frame injection, then all frames for that port must be injected into queues with the same urgent configuration.

Setting FRM_OUT_MAX = 0 will stop all injections on port.

Table 177 • Port Parameters

Register	Field	Description	Replication
PORT_CFG	FRM_OUT_MAX	Maximum number of injections outstanding for the port at-a-time.	Per port
PORT_CFG	FRM_RM_ONLY	Only allows frame removal injections. That is, normal injections are not allowed.	Per port
TTI_PORT_FRM_OUT	TTI_FRM_OUT_MAX	Additional injections that can be outstanding before affecting TTI injection.	Per port

3.24 Rewriter

The switch core includes a rewriter (REW) that is common for all ports. The rewriter performs all frame editing prior to frame transmission. Each frame can be handled multiple times by the rewriter

- One time per destination port.
- One time towards the mirror target port.
- One time when copied or redirected to internal and/or external CPU.
- One time when looped back to the analyzer.

All frames that are input to the rewriter can be modified by previous blocks of the frame processing flow. The internal frame header informs the rewriter what ingress frame manipulations (popping) are performed on any given frame. The same ingress frame manipulation is performed for each copy of a frame, while the rewriter may perform per destination specific egress frame manipulations (pushing) to the frame.

The rewriter is the final step in the frame processing flow of the device.

3.24.1 Rewriter Operation

The rewriter supports the following frame operations.

- VLAN tag (802.1Q, 802.1ad) editing: tagging of frames and remapping of PCP and DEI.
- L3 routing. SMAC/DMAC, VID and TTL modifications for IPv4 and IPv6.
- Implement Precision Time Protocol (PTP) time stamping by interfacing to the PTP block.
- Interfacing to the loopback block. Loopback frames to ANA based on VCAP_ES0 actions. Rewriting MACs and IFH of looped frames.
- DSCP remarking: rewriting the DSCP value in IPv4 and IPv6 frames based on classified DSCP value.
- Insert or update VSTAX headers.
- Handling of both Rx and Tx mirror frames.
- Padding of undersize frames to 64 bytes or 76 bytes.
- Frame FCS update control.
- Add preamble to all frames with an external port destination.

3.24.2 Supported Ports

The devices operate with up to 53 physical ports, two loopback ports, and two DEVCPU extraction ports as possible frame destinations. These frame destinations are addressed by the rewriter using the egress port number.

3.24.3 Supported Frame Formats

The rewriter can identify and rewrite both headers and payload of the following frame types.

Ethernet Frames

- Ethernet link layer DMAC+SMAC
- Maximum of three VLAN Q-tags (802.1Q, 802.1ad)
- Payload (IPv4, IPv6, Y.1731 OAM, PTP, and so on)

The analyzer places information in the IFH to help the rewriter with frame identification. The IFH fields IFH.DST.ENCAP.W16_POP_CNT and IFH.DST.ENCAP.TYPE_AFTER_POP are used for this purpose.

3.24.3.1 Maximum Frame Expansion

The rewriter can push 60 bytes into a frame when the IFH is popped and when no other frame pop operations are done. The frame preamble will occupy 8 of the 60 bytes that can be pushed.

3.24.4 Rewriter Initialization

Rewriter initialization comprises two steps:

- Set REW::RAM_INIT.RAM_ENA to 1
- Set REW::RAM_INIT.RAM_INIT to 1

Before the rewriter can be configured, the RAM-based configuration registers must be initialized by writing a 1 to the above RAM_INIT registers. The RAM_INIT.RAM_INIT register is reset by hardware when the initialization is complete.

If VCAP_ES0 is enabled, it must be initialized. All of the default port actions in VCAP_ES0 should also be initialized to ensure proper operation. For more information about initializing VCAP_ES0, see [Versatile Content-Aware Processor \(VCAP™\)](#), page 56.

3.24.5 VCAP_ES0 Lookup

The rewriter performs stage 0 VCAP egress matching (VCAP_ES0) lookups for each frame when enabled. The following table lists the registers associated with VCAP_ES0 lookup.

Table 178 • ES0 Configuration Registers

Register	Description	Replication
ES0_CTRL. ES0_LU_ENA	Enables lookup in VCAP_ES0 to control advanced frame modifications.	None
ES0_CTRL. ES0_BY_RLEG	Enables ES0 router mode lookup when IFH.FWD.DST_MODE indicates routing.	None
ES0_CTRL. ES0_BY_RT_FWD	Enables ES0 router mode lookup when IFH.DST.ENCAP.RT_FWD indicates routing.	None
PORT_CTRL. ES0_LPORT_NUM	Maps the configuration port to a logical port number to be used by ES0 keys. The port used in the lookup can be Tx-mirrored.	Ports

VCAP_ES0 lookup is enabled by setting REW::ES0_CTRL.ES0_LU_ENA = 1. Frames destined to the DEVCPU cannot be rewritten, and there is no VCAP_ES0 lookup for these frames.

All ES0 actions are ignored when VCAP_ES0 is disabled.

There are two ES0 key types: VID and ISDX.

The VID key is always used if:

- IFH.FWD.ES0_ISDX_KEY_ENA = 0
- REW::ES0_CTRL.ES0_BY_RLEG = 1 and (IFH.FWD.DST_MODE = L3UC_ROUTING or IFH.FWD.DST_MODE = L3MC_ROUTING)
- REW::ES0_CTRL.ES0_BY_RT_FWD = 1 and IFH.DST.ENCAP.RT_FWD = 1.

The ISDX key is used if a VID key is not used and IFH.FWD.ES0_ISDX_KEY_ENA = 1.

Table 179 • VCAP_ES0 Keys

Key Field	Description	Size	ISDX	VID
X1_TYPE	X1 type. 0: ISDX. 1: VID.	1	x	x
EGR_PORT	Logical egress port number. Configuration port mapped via REW::PORT_CTRL.ES0_LPORT_NUM. The default is no mapping (EGR_PORT = configuration port number). The configuration port is either the physical port or a Tx-mirror port number.	6	x	x
PROT_ACTIVE	Protection is active. Value is IFH.ENCAP.PROT_ACTIVE.	1	x	x
VSI	Virtual Switch Instance. Default value is VSI = IFH.DST.ENCAP.GEN_IDX if IFH.DST.ENCAP.GEN_IDX_MODE = 1 else 0. The following conditions will change the default: If REW::ES0_CTRL.ES0_BY_RLEG = 1 and (IFH.FWD.DST_MODE = L3UC_ROUTING or IFH.FWD.DST_MODE = L3MC_ROUTING) Force VSI = 0x3ff to identify routing. If REW::ES0_CTRL.ES0_BY_RT_FWD = 1 and IFH.ENCAP.RT_FWD = 1. Force VSI = 0x3ff to identify routing.	10	x	x
COSID	Class of Service Identifier. Value is IFH.VSTAX.MISC.COSID if REW::PORT_CTRL.VSTAX2_MISC_ISDX_ENA = 1 else 0.	3	x	X
COLOR	Frame color. Value is IFH.VSTAX.QOS.DP mapped through REW::DP_MAP.DP.	1	x	x
SERVICE_FRM	Service frame. Set to 1 if IFH.VSTAX.MISC.ISDX > 0 and REW::PORT_CTRL.VSTAX2_MISC_ISDX_ENA = 1 else 0.	1	x	x
ISDX	Ingress Service Index. Value is IFH.VSTAX.MISC.ISDX if REW::PORT_CTRL.VSTAX2_MISC_ISDX_ENA = 1 else 0.	12	x	
VID	IEEE VLAN identifier. Default value is VID = IFH.VSTAX.TAG.VID. The following conditions will change the default: If REW::ES0_CTRL.ES0_BY_RLEG = 1 and (IFH.FWD.DST_MODE = L3UC_ROUTING or IFH.FWD.DST_MODE = L3MC_ROUTING) VID = IFH.DST.L3[UC MC].ERLEG If REW::ES0_CTRL.ES0_BY_RT_FWD = 1 and IFH.DST.ENCAP.RT_FWD = 1 VID = IFH.DST.ENCAP.GEN_IDX.	12		x

The following table shows the actions available in VCAP_ES0. Default actions are selected by PORT_CTRL.ES0_LPORT_NUM when no ES0 entry is hit.

When REW::ES0_CTRL.ES0_LU_ENA = 1, all of the default actions must be initialized to ensure correct frame handling.

Table 180 • VCAP_ES0 Actions

Field Name	Description	Width
PUSH_OUTER_TAG	Controls tag A (outer tagging). 0: Port tagging. Push port tag as outer tag if enabled for port. No ES0 tag A. 1: ES0 tag A. Push ES0 tag A as outer tag. No port tag. 2: Forced port tagging. Push port tag as outer tag. No ES0 tag A. 3: Forced untagging. No outer tag pushed (no port tag, no ES0 tag A).	2
PUSH_INNER_TAG	Controls tag B (inner tagging). 0: Do not push ES0 tag B as inner tag. 1: Push ES0 tag B as inner tag.	1
TAG_A_TPID_SEL	Selects TPID for ES0 tag A. 0: 0x8100. 1: 0x88A8. 2: Custom1. 3: Custom2. 4: Custom3. 5: Classified. Selected by ANA in IFH.VSTAX.TAG_TYPE and IFH.DST.ENCAP.TAG_TPID: If IFH.DST.ENCAP.TAG_TPID = STD_TPID: If IFH.VSTAX.TAG.TAG_TYPE = 0, then 0x8100 else 0x88A8 If IFH.DST.ENCAP.TAG_TPID = CUSTOM[n]: REW::TPID_CFG[n]:TPID_VAL.	3
TAG_A_VID_SEL	Selects VID for ES0 tag A. 0: Classified VID + VID_A_VAL. 1: VID_A_VAL.	1
TAG_A_PCP_SEL	Select PCP source for ES0 tag A. 0: Classified PCP. 1: PCP_A_VAL. 2: Reserved. 3: PCP of popped VLAN tag if available (IFH.VSTAX.TAG.WAS_TAGGED = 1 and num_popped_tags>0) else PCP_A_VAL. 4: Mapped using mapping table 0, otherwise use PCP_A_VAL. 5: Mapped using mapping table 1, otherwise use mapping table 0. 6: Mapped using mapping table 2, otherwise use PCP_A_VAL. 7: Mapped using mapping table 3, otherwise use mapping table 2.	3
TAG_A_DEI_SEL	Select DEI source for ES0 tag A. 0: Classified DEI. 1: DEI_A_VAL. 2: REW::DP_MAP.DP [IFH.VSTAX.QOS.DP]. 3: DEI of popped VLAN tag if available (IFH.VSTAX.TAG.WAS_TAGGED = 1 and num_popped_tags>0) else DEI_A_VAL. 4: Mapped using mapping table 0, otherwise use DEI_A_VAL. 5: Mapped using mapping table 1, otherwise use mapping table 0. 6: Mapped using mapping table 2, otherwise use DEI_A_VAL. 7: Mapped using mapping table 3, otherwise use mapping table 2.	3

Table 180 • VCAP_ES0 Actions (continued)

Field Name	Description	Width
TAG_B_TPID_SEL	Selects TPID for ES0 tag B. 0: 0x8100. 1: 0x88A8. 2: Custom 1. 3: Custom 2. 4: Custom 3. 5: See TAG_A_TPID_SEL.	3
TAG_B_VID_SEL	Selects VID for ES0 tag B. 0: Classified VID + VID_B_VAL. 1: VID_B_VAL.	1
TAG_B_PCP_SEL	Selects PCP source for ES0 tag B. 0: Classified PCP. 1: PCP_B_VAL. 2: Reserved. 3: PCP of popped VLAN tag if available (IFH.VSTAX.TAG.WAS_TAGGED=1 and num_popped_tags>0) else PCP_B_VAL. 4: Mapped using mapping table 0, otherwise use PCP_B_VAL. 5: Mapped using mapping table 1, otherwise use mapping table 0. 6: Mapped using mapping table 2, otherwise use PCP_B_VAL. 7: Mapped using mapping table 3, otherwise use mapping table 2.	3
TAG_B_DEI_SEL	Selects DEI source for ES0 tag B. 0: Classified DEI. 1: DEI_B_VAL. 2: REW::DP_MAP.DP [IFH.VSTAX.QOS.DP]. 3: DEI of popped VLAN tag if available (IFH.VSTAX.TAG.WAS_TAGGED = 1 and num_popped_tags>0) else DEI_B_VAL. 4: Mapped using mapping table 0, otherwise use DEI_B_VAL. 5: Mapped using mapping table 1, otherwise use mapping table 0. 6: Mapped using mapping table 2, otherwise use DEI_B_VAL. 7: Mapped using mapping table 3, otherwise use mapping table 2.	3
TAG_C_TPID_SEL	Selects TPID for ES0 tag C. 0: 0x8100. 1: 0x88A8. 2: Custom 1. 3: Custom 2. 4: Custom 3. 5: See TAG_A_TPID_SEL.	3
TAG_C_PCP_SEL	Selects PCP source for ES0 tag C. 0: Classified PCP. 1: PCP_C_VAL. 2: Reserved. 3: PCP of popped VLAN tag if available (IFH.VSTAX.TAG.WAS_TAGGED=1 and num_popped_tags>0) else PCP_C_VAL. 4: Mapped using mapping table 0, otherwise use PCP_C_VAL. 5: Mapped using mapping table 1, otherwise use mapping table 0. 6: Mapped using mapping table 2, otherwise use PCP_C_VAL. 7: Mapped using mapping table 3, otherwise use mapping table 2.	3

Table 180 • VCAP_ES0 Actions (continued)

Field Name	Description	Width
TAG_C_DEI_SEL	Selects DEI source for ES0 tag C. 0: Classified DEI. 1: DEI_C_VAL. 2: REW::DP_MAP.DP [IFH.VSTAX.QOS.DP]. 3: DEI of popped VLAN tag if available (IFH.VSTAX.TAG.WAS_TAGGED = 1 and num_popped_tags>0) else DEI_C_VAL. 4: Mapped using mapping table 0, otherwise use DEI_C_VAL. 5: Mapped using mapping table 1, otherwise use mapping table 0. 6: Mapped using mapping table 2, otherwise use DEI_C_VAL. 7: Mapped using mapping table 3, otherwise use mapping table 2.	3
VID_A_VAL	VID used in ES0 tag A. See TAG_A_VID_SEL.	12
PCP_A_VAL	PCP used in ES0 tag A. See TAG_A_PCP_SEL.	3
DEI_A_VAL	DEI used in ES0 tag A. See TAG_A_DEI_SEL.	1
VID_B_VAL	VID used in ES0 tag B. See TAG_B_VID_SEL.	12
PCP_B_VAL	PCP used in ES0 tag B. See TAG_B_PCP_SEL.	3
DEI_B_VAL	DEI used in ES0 tag B. See TAG_B_DEI_SEL.	1
VID_C_VAL	VID used in ES0 tag C. See TAG_C_VID_SEL.	12
PCP_C_VAL	PCP used in ES0 tag C. See TAG_C_PCP_SEL.	3
DEI_C_VAL	DEI used in ES0 tag C. See TAG_C_DEI_SEL.	1
POP_VAL	Pops one additional Q-tag. num_popped_tags = IFH.tagging.pop_cnt + POP_VAL. The rewriter counts the number of Q-tags in the frame and only pops tags that are present in the frame. NUM_POPPED_TAGS is equal to the last available tag.	1
UNTAG_VID_ENA	Controls insertion of tag C. Un-tag or insert mode can be selected. See PUSH_CUSTOMER_TAG.	1
PUSH_CUSTOMER_TAG	Selects tag C mode: 0: Do not push tag C. 1: Push tag C if IFH.VSTAX.TAG.WAS_TAGGED = 1. 2: Push tag C if IFH.VSTAX.TAG.WAS_TAGGED = 0. 3: Push tag C if UNTAG_VID_ENA = 0 or (C-TAG.VID != VID_C_VAL).	2
TAG_C_VID_SEL	Selects VID for ES0 tag C. The resulting VID is termed C-TAG.VID. 0: Classified VID. 1: VID_C_VAL.	1
DSCP_SEL	Selects source for DSCP. 0: Controlled by port configuration and IFH. 1: Classified DSCP via IFH. 2: DSCP_VAL. 3: Reserved. 4: Mapped using mapping table 0, otherwise use DSCP_VAL. 5: Mapped using mapping table 1, otherwise use mapping table 0. 6: Mapped using mapping table 2, otherwise use DSCP_VAL. 7: Mapped using mapping table 3, otherwise use mapping table 2.	3
DSCP_VAL	DSCP value.	6

Table 180 • VCAP_ES0 Actions (continued)

Field Name	Description	Width
PROTECTION_SEL	Change ENCAP_ID, ESDX_BASE and OAM_MEP_IDX based on IFH.DST.ENCAP.PROT_ACTIVE. 0: No protection. Do not use protection index values. 1: Use <index>_P if ifh.encap.prot_active = 1. 2: Use <index>_P if ifh.encap.prot_active = 0. 3: Reserved.	2
RESERVED	Must be set to 0.	41
ENCAP_ID	Index into the MPLS encapsulation table (REW::ENCAP). Setting ENCAP_ID to zero disables pushing of MPLS encapsulation. 0: Disables the use of MPLS encapsulation. 1-1023: Selects ENCAP ID.	10
ENCAP_ID_P	Index to use when enabled by PROTECTION_SEL. The encoding is equal to ENCAP_ID.	10
POP_CNT	If POP_CNT > 0, then ifh.dst.encap.w16_pop_cnt is overruled with POP_CNT when popping MPLS labels. The encoding is: 0: Use ifh.dst.encap.w16_pop_cnt as word16 (2 bytes) pop count 1: Do not pop any bytes. 2: Pop 2 × 2 = 4 bytes. ... 21: Pop 2 × 21 = 42 bytes. 22-31: Reserved. If the number of bytes popped by POP_CNT is larger than the value given by ifh.dst.encap.w16_pop_cnt, the IFH value is always used.	5
ESDX_BASE	Egress service index. Used to index egress service counter set (REW::CNT_CTRL.STAT_MODE).	13
ESDX_BASE_P	Egress service index to use when enabled by PROTECTION_SEL.	13
ESDX_COSID_OFFSET	Egress counter set, offset per COSID. Stat index = ESDX_BASE + ESDX_COSID_OFFSET[(3 x COSID + 2) : 3 x COSID]	24
MAP_0_IDX	Index 0 into mapping resource A. Index bits 11:3. Index bits 2:0 are controller by MAP_0_KEY.	9
MAP_1_IDX	Index 1 into mapping resource A. Index bits 11:3. Index bits 2:0 are controller by MAP_1_KEY.	9
MAP_2_IDX	Index 0 into mapping resource B. Index bits 11:3. Index bits 2:0 are controller by MAP_2_KEY.	9
MAP_3_IDX	Index 1 into mapping resource B. Index bits 11:3. Index bits 2:0 are controller by MAP_2_KEY.	9

Table 180 • VCAP_ES0 Actions (continued)

Field Name	Description	Width
MAP_0_KEY	Key used when looking up mapping table 0. QoS mappings: 0: QoS (8 entries): $IDX = IDX_A + QOS$. 1: DP, QoS (32 entries): $IDX = IDX_A + IFH..DP \times 8 + QOS$. DSCP mappings: 2: DSCP (64 entries): $IDX = IDX_A + IFH..DSCP$. 3: DP, DSCP (256 entries): $IDX = IDX_A + 64 \times IFH..DP + IFH..DSCP$. 4: DP, TOS_PRE (32 entries): $IDX = IDX_A + IFH..DP \times 8 + TOS_PRE$. PCP mappings: 5: PCP (8 entries): $IDX = IDX_A + IFH..PCP$. 6: DP, PCP (32 entries): $IDX = IDX_A + IFH..DP \times 8 + IFH..PCP$. 7: DEI, PCP (16 entries): $IDX = IDX_A + IFH..DEI \times 8 + IFH..PCP$. TC mappings: 8: TC: $IDX = IDX_A + IFH..TC$. 9: DP, TC: $IDX = IDX_A + IFH..DP \times 8 + IFH..TC$. Popped customer tag mappings: 10: Popped PCP (8 entries): $IDX = MAP_0_IDX + pop.PCP$ 11: DP, popped PCP (32 entries): $IDX = MAP_0_IDX + IFH..DP \times 8 + pop.PCP$. 12: Popped DEI, popped PCP (16 entries): $IDX = MAP_0_IDX + pop.DEI \times 8 + pop.PCP$. COSID mappings: 13: COSID (8 entries): $IDX = IDX_A + IFH.VSTAX.MISC.COSID$. 14: DP, COSID (32 entries): $IDX = IDX_A + IFH..DP \times 8 + IFH.VSTAX.MISC.COSID$.	4
MAP_1_KEY	See MAP_0_KEY.	4
MAP_2_KEY	See MAP_0_KEY.	4
MAP_3_KEY	See MAP_0_KEY.	4
RESERVED	Must be set to 0.	34
FWD_SEL	ES0 Forward selector. 0: No action. 1: Copy to loopback interface. 2: Redirect to loopback interface. 3: Discard.	2
CPU_QU	CPU extraction queue. Used when FWD_SEL > 0 and PIPELINE_ACT = XTR.	3
PIPELINE_PT	ES0 pipeline point. 0: REW_IN_SW. 1: REW_OU_SW. 2: REW_SAT. 3: Reserved.	2
PIPELINE_ACT	Pipeline action when FWD_SEL > 0. 0: XTR. CPU_QU selects CPU extraction queue 1: LBK_ASM.	1
SWAP_MAC_ENA	This setting is only active when FWD_SEL = 1 or FWD_SEL = 2 and PIPELINE_ACT = LBK_ASM. 0: No action. 1: Swap MACs and clear bit 40 in new SMAC.	1
LOOP_ENA	0: Forward based on PIPELINE_PT and FWD_SEL 1: Force FWD_SEL=REDIR, PIPELINE_ACT = LBK_ASM, PIPELINE_PT = REW_SAT, swap MACs and clear bit 40 in new SMAC. Do not apply CPU_QU.	1

3.24.5.1 Rewriter Pipeline Handling

In order to achieve the correct statistics and processing of frames, it is important that frames can be extracted, injected, discarded, and looped at specific positions in the processing flow. Based on the position, processing—especially counters, are affected.

Note that a frame is always physically passed through the whole processing. Logically, certain elements of the processing can be disabled or enabled.

The following table lists the pipeline points available in the rewriter.

Table 181 • Rewriter Pipeline Point Definitions

Pipeline Point	What can set it?	Position in Flow
NONE	Default	0
REW_IN_MIP	Inner MIP configured in rewriter	1
REW_IN_SW	Inner software MEP controlled by VCAP_ES0	2
REW_IN_VOE	Service VOE in VOP	3
REW_OU_VOE	Service VOE in VOP	4
REW_OU_SW	Outer software MEP controlled by VCAP_ES0	5
REW_OU_MIP	Outer software MIP configured in rewriter	6
REW_SAT	SAT software MEP controlled by VCAP_ES0	7
REW_PORT_VOE	Port VOE in VOP	8
REW_VRAP	Set in VRAP reply frame	9

Each point in the flow assigns one of the possible pipeline actions listed in the following table.

Table 182 • Pipeline Actions

Action Type	Name	Comment
Inject	INJ	Injection actions set by ANA are cleared when the frame enters the rewriter by setting the pipeline point and action to NONE.
	INJ_MASQ	
	INJ_CENTRAL	
Extract	XTR	XTR is set by ES0 and MIP.
	XTR_UPMEP	XTR_UPMEP is also set by the VOP.
Loopback	LBK_ASM	LBK_QS is set in ANA. This action is treated as an injection action in the rewriter. LBK_ASM can be set by ES0 when looping frames back to ANA. This action is treated as an extraction in the rewriter.
	LBK_QS	
None	NONE	Default. No pipeline point and action is assigned to frame.

Frames looped by the analyzer (PIPELINE_ACT = LBK_QS) have their ANA pipeline point changed to a REW pipeline point, which indicates the point in the rewriter flow in REW where they appear again after being looped. The following pipeline point translations are handled.

- PIPELINE_PT = ANA_PORT_VOE is changed to REW_PORT_VOE
- PIPELINE_PT = ANA_OU_VOE is changed to REW_OU_VOE
- PIPELINE_PT = ANA_IN_VOE is changed to REW_IN_VOE

Frame forward and counter updates are done based on the assigned pipeline points and actions. In the rewriter, pipeline points and actions can be assigned by ES0, the MIP, and the VOP.

Frames injected by a CPU can also have pipeline point and actions set in the injection IFH.

The rules listed in the following table apply when pipeline points are updated.

Table 183 • Pipeline Point Updating Rules

Pipeline Action	Rule
None	The pipeline point and actions can be updated.
Inject	If a frame is injected in pipeline point N, the forwarding cannot be changed in pipeline point N-1 and it will not be counted in the N-1 point. Logically the frame does not exist in the N-1 point. Example: A frame is injected in the REW_VRAP pipeline point (Pipeline point = REW_VRAP, Action = INJ). The SW-MEP is configured to loop the same frame in the pipeline point REW_SAT. The frame will not be looped, because it was injected later in the pipeline (REW_VRAP > REW_SAT). The frame will not be counted by the egress service statics, which is located in the REW_PORT_VOE pipeline point for injected frames.
Extract	If a frame is extracted in pipeline point N the forwarding cannot be changed in pipeline point N+1 and it will not be counted in the N+1 point. Logically the frame does not exist in the N+1 point. Example: A frame is extracted in the REW_IN_MIP pipeline point (Pipeline point = REW_IN_MIP, Action = XTR). The SW-MEP is configured to loop the same frame in the pipeline point REW_SAT. The frame will not be looped because it has already been extracted earlier in the pipeline (REW_IN_MIP < REW_SAT). The frame will not be counted by the egress service statics, which is located in the REW_OU_SW pipeline point for extracted frames.

3.24.5.2 Frame Copy, Redirect, or Discard

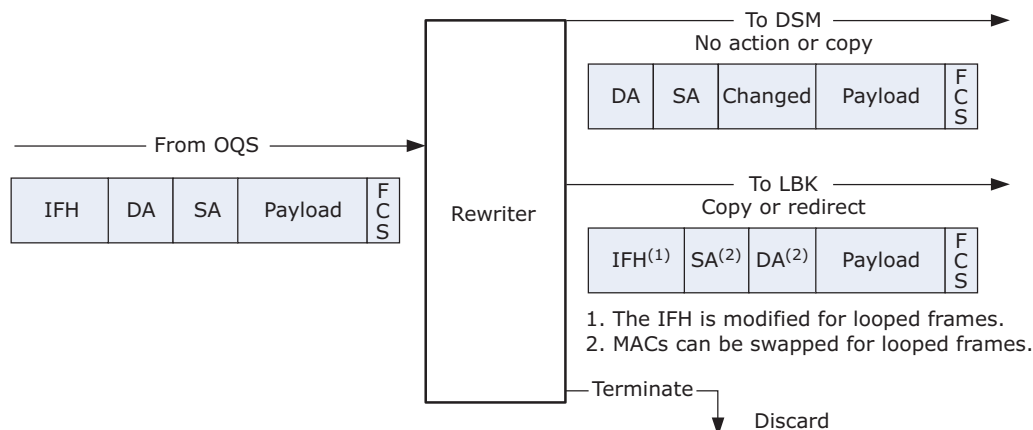
Frame forwarding may be changed by ES0 action FWD_SEL, the MIP or the VOP. Changing frame forwarding will update the frame pipeline point and action.

The following options are available to control frame forwarding.

- No action. Do not change frame forwarding.
- Copy frame to CPU via the loopback interface. The frame is looped back to the ANA where it is sent to the CPU. The IFH of the CPU copy is modified to select a CPU queue. The frame is also forwarded as normal to the destination port and can be modified by the normal rewriter operations.
- Redirect frame to ANA via loopback interface. When doing frame loopbacks, the destination port of the redirected frame will be left unchanged. The IFH of the frame is modified and the MAC addresses may be swapped. Redirected frames may also be sent to a CPU queue. This can be done as a standalone operation or together with the frame loopback. When redirecting, the frame is only sent to the loopback interface and not to the original destination port.
- Discard frame. The frame is terminated before transmission.

The following illustrations depicts options for frame forwarding.

Figure 70 • Frame Forward Options



The following table lists the registers associated with the frame loopback options.

Table 184 • Frame Loopback Options

Register	Description	Replication
ES0_CTRL.	Using ES0 it is possible to loop frames back to ANA with the	None
ES0_FRM_LBK_CFG	LOOP_ENA action. If this bit is set, a frame can only be looped once by ES0.	

Frame forwarding is changed if allowed by the current frame pipeline point and action. For more information, see [Rewriter Pipeline Handling](#), page 254.

The following table shows the pipeline action when the frame forwarding is changed.

Table 185 • Pipeline Action Updates

Forwarding Selection	Pipeline Action Updates
NONE	Unchanged
COPY	Unchanged
REDIR	CPU redirection: XTR / XTR_UPMEP Loopback frames: LBK_ASM
DISCARD	XTR / XTR_UPMEP

The pipeline updating rules ensures that a REDIR or DISCARD decision cannot be changed at a later pipeline point. A COPY may be changed at a later point to either a REDIR or DISCARD action.

- If a copy is changed to a discard, the CPU still receives the frame copy.
- If a copy is changed to a redirection, the CPU receives a copy and the frame is looped back or also sent to the redirection queue.

When frames are copied or redirected the IFH is updated as described in the following table.

Table 186 • Loopback IFH Updates

IFH Field	Updated by
FWD.SRC_PORT	COPY or REDIR. The frame source port is changed to the current destination port.
MISC.PIPELINE_PT	COPY or REDIR. The pipeline point in which the frame forwarding was updated.
MISC.PIPELINE_ACT	COPY or REDIR. The pipeline action assigned to the frame.
MISC.CPU_MASK	Any operation. A CPU copy may be generated by all forward selections.
FWD.DO_LBK	Rewriter loopback (ES0.LOOP_ENA). Set this bit to indicate that the frame has been looped. Can optionally be used to prevent multiple loops of the same frame.
FWD.UPDATE_FCS	VOP. Set by the VOP if a looped frames changed.
VSTAX.MISC.ISDX	VOP. The frame ISDX can be changed by the VOP.
VSTAX.QOS.DP	VOP. The DP level can be set to 0 by the VOP.
ENCAP.MPLS_TTL	VOP. The MPLS_TTL can be set to 1 by the VOP.

3.24.5.3 Egress Statistics Update

The rewriter does not have Egress Service Index (ESDX) and port-based counters of its own. Instead, the egress statistic counters in the XQS:STAT are used for all frame and byte counting. For more information, see [Statistics](#), page 229.

The following counters are available to the rewriter as frame and octet counters.

- Per egress port: $2 \times 8 + 1 = 17$ counters (color \times cell bus priority + abort)

- ESDX: $2 \times 8192 = 16384$ counters (color \times ESDX)

Frame and octets are counted simultaneously on each index by two separate counters. The counter widths are 40 bits for octet counters and 32 bits for frame counters.

The following table lists the registers associated with ESDX counter configuration.

Table 187 • Egress Statistics Control Registers

Register	Description	Replication
CNT_CTRL. STAT_MODE	Configures ESDX counter index selection.	Global
CNT_CTRL. VSTAX_STAT_ESDX_DIS	Configures ESDX counting for stacking ports. If this bit is set and PORT_CTRL.VSTAX_HDR_ENA = 1, all counting based on the ESDX value is disabled regardless of the CNT_CTRL.STAT_MODE configuration.	Global
CNT_CTRL. STAT_CNT_FRM_ABORT_ENA	Enables counting of frames discarded by the rewriter. This bit only enables counting of frames discarded by ES0 or the SW_MIP. Frame discards done by the VOP are not included.	Global
PORT_CTRL. XTR_STAT_PIPELINE_PT	Configures the extraction statistics pipeline point. Frames extracted before the configured pipeline point are not counted by the ESDX counters. Configuring the REW_IN_MIP value causes all extracted frames to be counted. Default is REW_OU_SW.	Port
PORT_CTRL. INJ_STAT_PIPELINE_PT	Configures the injection statistics pipeline point. Frames injected after the configured pipeline point are not counted by the ESDX counters. Configuring the REW_VRAP value causes all injected frames to be counted. Default is REW_OU_VOE.	Port

3.24.5.4 Statistics Counter Index Calculation

The port counter index is always the physical port number and priority. The frame color is determined in the same manner as the ESDX counter.

The ESDX counter index calculation is controlled by the CNT_CTRL.STAT_MODE register.

Table 188 • ESDX Index Selection

STAT_MODE	Description
0	Use ESDX if available: ESDX is available if ES0 lookup is enabled and if ES0.ESDX_BASE is different from 0. Index = ES0.ESDX_BASE + ES0.ESDX_COSID_OFFSET(IFH.VSTAX.MISC.COSID). If ESDX is not available: Index = IFH.VSTAX.MISC.ISDX (only 4096 available) Regardless of the index selection, the frame color is: Color = DP_MAP.DP(IFH.VSTAX.QOS.DP)
1	Similar to STAT_MODE = 0, except counting is disabled if the ESDX is not available.
2	Use ISDX: Index = IFH.VSTAX.MISC.ISDX. The frame color is used to count multicast frames: Color = FRAME.ETH_LINK_LAYER.DMAC (bit 40).

Table 188 • ESDX Index Selection (continued)

STAT_MODE	Description
3	Use VID: Index = Classified VID (IFH.VSTAX.TAG.VID), if no tag is pushed Index = VID of outermost pushed tag, if a tag is pushed Index = REW:VMID:RLEG_CTRL.RLEG_EVID (IFH.DST..ERLEG) if L3. The frame color is used to count multicast frames: Color = FRAME.ETH_LINK_LAYER.DMAC (bit 40).

Both port counters and ESDX counters are updated based on pipeline points and actions. For more information, see [Rewriter Pipeline Handling](#), page 254. The ESDX statistics pipeline points are fixed.

The following table shows when the counters are updated.

Table 189 • Egress Statistics Update

Counter	Is Updated When?
Port	Pipeline action is not Extract (action different from XTR, XTR_UPMEP, and LBK_ASM). Frame is transmitted (abort = 0). Updated for all egress port numbers including virtual device (VD) and extraction CPU port numbers.
ESDX	The egress port is a physical port. The frame matches the parameters configured in CNT_CTRL.STAT_MODE. For extracted frames (Action: XTR, XTR_UPMEP and LBK_ASM): The egress statics is located in the pipeline point, PORT_CTRL.XTR_STAT_PIPELINE_PT. Frames extracted in or after this point are counted. For injected frames (Action: INJ, INJ_x, LBK_QS): The egress statics is located the pipeline point, PORT_CTRL.INJ_STAT_PIPELINE_PT. Frames injected in or before this point are counted. Frame is transmitted (abort = 0). The pipeline action is different from XTR_LATE_REW.
Abort	A frame is aborted by REW or OQS (abort = 1). Counting of frames aborted by REW must be enabled by setting CNT_CTRL.STAT_CNT_FRM_ABORT_ENA.

3.24.5.5 Protection Active

Using ES0, the rewriter can change various indexes, based on the value of the IFH.DST.ENCAP.PROT_ACTIVE field in the IFH.

- Use the ES0 key field PROT_ACTIVE to change all ES0 actions when protection is active.
- The numbers of ES0 keys are limited, so the same key can optionally generate two different indexes based on the value of IFH.DST.ENCAP.PROT_ACTIVE. This is enabled using the ES0 action PROTECTION_SEL.
- The ENCAP_ID, ESDX_BASE, and OAM_MEP_IDX indexes can be changed. These indexes are used when enabled by PROTECTION_SEL: ENCAP_ID_P, ESDX_BASE_P, and OAM_MEP_IDX_P.

3.24.6 Mapping Tables

The rewriter contains two mapping resources (A and B) that can be used to look up the following fields.

- TC value in MPLS labels
- DSCP value in IP frames
- DEI in 802.3 VLAN tags
- PCP in 802.3 VLAN tags

The following table lists the configuration registers associated with the mapping tables.

Table 190 • Mapping Table Configuration Registers

Register	Description	Replication
MAP_RES_x (x= A or B)		
MAP_VAL_x:TC_VAL	Mapped TC value	4096 × 2
MAP_VAL_x:DSCP_VAL	Mapped DSCP value	4096 × 2
MAP_VAL_x:DEI_VAL	Mapped DEI value	4096 × 2
MAP_VAL_x:PCP_VAL	Mapped PCP value	4096 × 2
MAP_VAL_x:OAM_COLOR	Mapped OAM Color	4096 × 2
MAP_VAL_x:OAM_COSID	Mapped OAM Cosid	4096 × 2
MAP_LBL_x:LBL_VAL	Mapped MPLS label value	4096 × 2

Each of the two resources provide all of the fields listed. Two lookups are done in each resource for every frame. This generates four mapping results per frame.

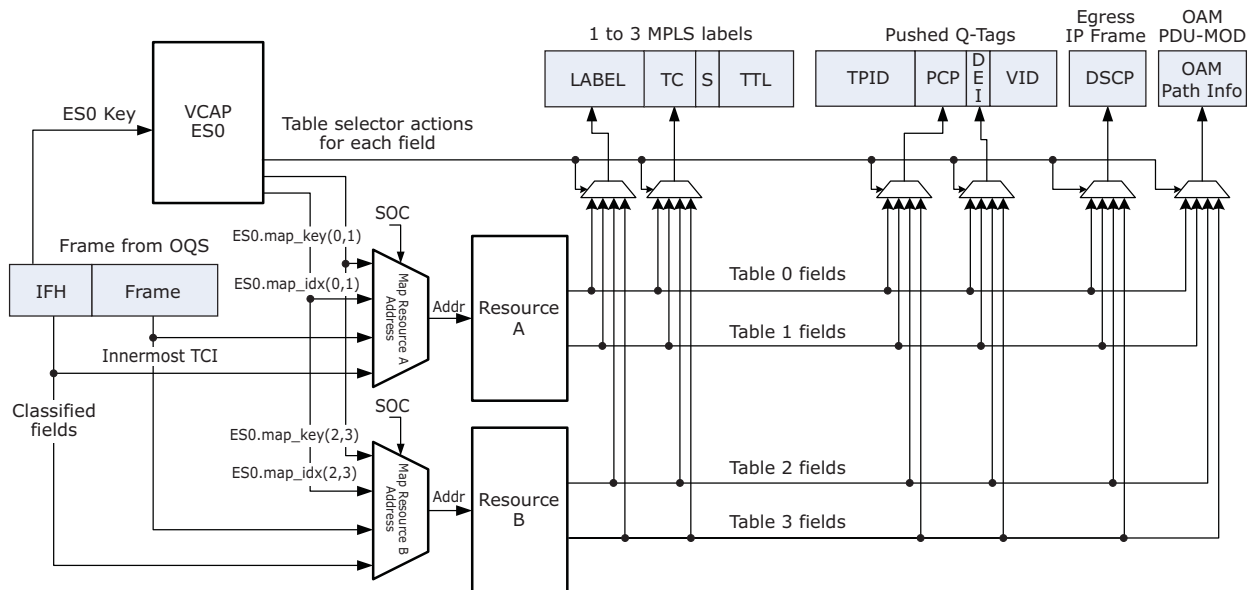
The four lookups implement mapping table 0 to 3. The address used for each lookup is controlled by the ES0 actions MAP_n_KEY and MAP_n_IDX (n = 0:3).

A mapping table address consists of two parts:

- A base index: ES0.MAP_n_IDX. This controls the MSB part of the table address.
- One of 15 different keys that use classified frame properties to generate the LSB of the table address. For more information about each key, see [ES0 Configuration Registers](#), page 247.

The following illustration depicts the mapping table functionality.

Figure 71 • Mapping Tables



The mapping tables provide a flexible way to update frame fields. The following example shows how to configure and use mapping table 1.

Update PCP in VLAN tag A using mapping table 1. Use frame DSCP as index:

- Enable ES0
- Program an ES0 key
- Set ES0 action TAG_A_PCP_SEL to 5 for selected key
- Set ES0 action PUSH_OUTER_TAG = 1

- Update PCP by using Table 1:
Select a base address in resource A. Base address 256 is used in this example
Set ES0 action MAP_1_IDX = 256/8 = 32
- Use frame DSCP as key: Set ES0 action MAP_1_KEY = 2
- Program the PCP mapping in table 1: Addr = 256 to 256 + 63 (all DSCP values)
- Write REW:MAP_RES_A:\$Addr/MAP_VAL_A PCP_VAL <New PCP>

Frame DSCP is used as key in this example. If the DSCP is not available (frame is non IP), the mapping is considered invalid. and the PCP value is selected using this fallback method:

- Use mapping table 1 if key is valid, otherwise use mapping table 0.
- Use mapping table 0 if key is valid, otherwise use a fixed value.

In the example, a PCP value from table 0 is used instead for non IP frames, if the table 0 key is valid. Otherwise, the ES0 action PCP_A_VAL is used. Mapping tables 2 and 3 have the same functionality.

Mapping tables 0 and 1 share the 4096 addresses available in Resource A. Table 2 and 3 share 4096 addresses in Resource B.

3.24.7 VLAN Editing

The rewriter performs five steps related to VLAN editing for each frame and destination:

1. ES0 lookup. ES0 is looked up for each frame if enabled by the global configuration. The action from ES0 controls the pushing of VLAN tags.
2. VLAN popping. Zero to three VLAN tags are popped from the frame. Popping is controlled from the ANA by IFH.TAGGING.POP_CNT and by the action ES0.POP_VAL.
3. VLAN push decision. Decides the number of new tags to push and which tag source to use for each tag. Tag sources are port, ES0 (tags A to C), and routing.
4. Constructs the VLAN tags. The new VLAN tags are constructed based on the tag sources' configuration.
5. VLAN pushing. The new VLAN tags are pushed.

The outermost tag can optionally be controlled by port-based VLAN configuration.

Table 191 • Port VLAN Tag Configuration Registers

Register	Description	Replication
TPID_CFG. TPID_VAL	Configures three custom TPID values. These must be configured identically in ANA_CL::VLAN_STAG_CFG.STAG_ETYPE_VAL.	3
PORT_VLAN_CFG PORT_*	Port VLAN TCI. Port_VID is also used for untagged set.	Ports
TAG_CTRL: TAG_CFG_OBEY_ WAS_TAGGED	Controls how port tags are added. If this bit is set, the IFH field VSTAX.TAG.WAS_TAGGED must be 1 before a port tag is added to a frame.	Ports
TAG_CTRL: TAG_CFG	Controls port tagging. Four modes are supported.	Ports
TAG_CTRL: TAG_TPID_CFG	Selects Tag Protocol Identifier (TPID) for port tagging.	Ports
TAG_CTRL: TAG_VID_CFG	Selects VID in port tag.	Ports
TAG_CTRL: TAG_PCP_CFG	Selects PCP fields in port tag.	Ports
TAG_CTRL: TAG_DEI_CFG	Selects DEI fields in port tag.	Ports
DP_MAP.DP	Maps the four drop precedence levels (DP) to a drop eligible value (DE or COLOR).	Global

Table 191 • Port VLAN Tag Configuration Registers (continued)

Register	Description	Replication
PORT: PCP_MAP_DEx	Mapping table. Maps DP level and QoS class to new PCP values.	Per port per Q per DE
PORT: DEI_MAP_DEx	Mapping table. Maps DP level and QoS class to new DEI values.	Per port per Q per DE

3.24.7.1 ES0 Lookup

For each frame passing through the rewriter, an optional VCAP_ES0 lookup is done using the appropriate key. The action from ES0 is used in the following to determine the frame's VLAN editing.

3.24.7.2 VLAN Popping

The rewriter initially pops the number of VLAN tags specified by the IFH field IFH.TAGGING.POP_CNT received with the frame. Up to three VLAN tags can be popped via the IFH. The rewriter itself can further influence the number VLAN tags being popped by the ES0 action POP_VAL. This can increase the pop count by one.

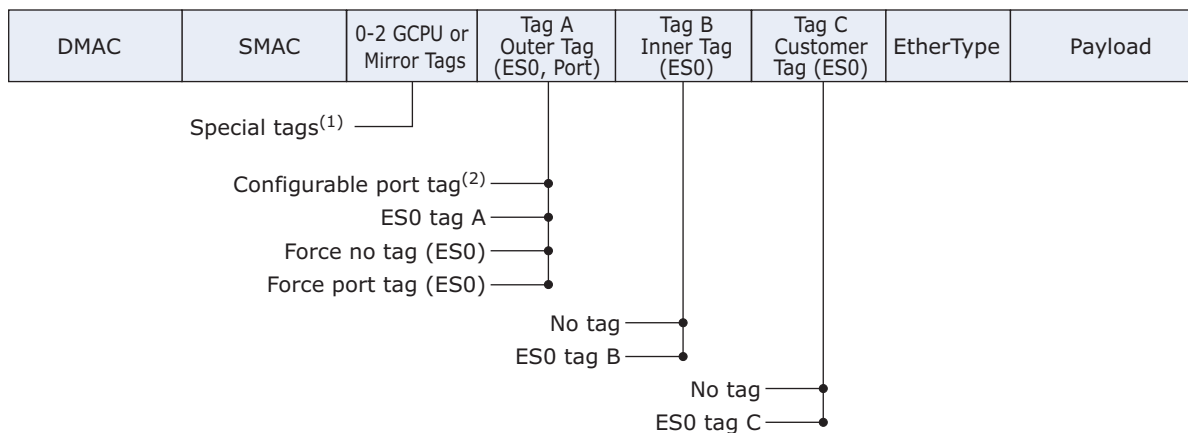
The rewriter analyzes the total number of tags in a frame, and this is the maximum number of tags that can be popped regardless of the IFH and ES0 pop values.

3.24.7.3 VLAN Push Decision

After popping the VLAN tags, the rewriter decides to push zero to three new VLAN tags into the outgoing frame according to the port's tagging configuration in register TAG_CTRL.TAG_CFG and the action from a potential VCAP ES0 hit.

Two additional tags can be added for mirrored or GCPU frames. These special tags will always be the outermost ones. If MPLS encapsulation is added to a frame, the mirror or GCPU tags are placed after the MPLS link layer SMAC.

Figure 72 • VLAN Pushing



1. Mirror tag is controlled by REW::MIRROR_PROBE_CFG.REMOTE_MIRROR_CFG.

GCPU tag is controlled by REW::GCPU_CFG.GCPU_TAG_SEL.

2. Port tag is controlled by REW:PORT:TAG_CTRL.TAG_CFG.

The following table lists ES0 VLAN tag actions.

Table 192 • ES0 VLAN Tag Actions

ES0_ACTION	TAG_CFG	Tagging Action
No ES0 hit	Controls port tag	The port tag is pushed according to TAG_CTRL.TAG_CFG as outermost tag. The following options are available: - Tag all frames with port tag. - Tag all frames with port tag, except if classified VID = 0 or classified VID = PORT_VLAN_CFG.PORT_VID. - Tag all frames with port tag, except if classified VID = 0. TAG_CTRL.TAG_VID_CFG selects between classified- or fixed-port VID. No inner tag.
PUSH_OUTER_TAG = 0 PUSH_INNER_TAG = 0	Controls port tag	Same as No ES0 hit action.
PUSH_OUTER_TAG = 1 PUSH_INNER_TAG = 0	Don't care	ES0 tag A is pushed as outer tag. No inner tag.
PUSH_OUTER_TAG = 2 PUSH_INNER_TAG = 0	Don't care	Port tag is pushed as outer tag. This overrides port settings in TAG_CFG. No inner tag.
PUSH_OUTER_TAG = 3 PUSH_INNER_TAG = 0	Don't care	No tags are pushed. This overrides port settings in TAG_CFG.
PUSH_OUTER_TAG = 0 PUSH_INNER_TAG = 1	Controls port tag	Port tag is pushed according to TAG_CFG as outermost tag. The following options are available: - Tag all frames with port tag. - Tag all frames with port tag, except if classified VID = 0 or classified VID = PORT_TAG_DEFAULT.PORT_TCI_VID. - Tag all frames with port tag, except if classified VID = 0. - No port tag. TAG_CTRL.TAG_VID_CFG select between classified- or fixed-port VID. ES0 tag B is pushed as inner tag. ES0 tag B is effectively the outer tag if the port tag is not pushed.
PUSH_OUTER_TAG = 1 PUSH_INNER_TAG = 1	Don't care	ES0 tag A is pushed as outer tag. ES0 tag B is pushed as inner tag.
PUSH_OUTER_TAG = 2 PUSH_INNER_TAG = 1	Don't care	Port tag is pushed as outer tag. This overrides port settings in TAG_CFG. ES0 tag B is pushed as inner tag.
PUSH_OUTER_TAG = 3 PUSH_INNER_TAG = 1	Don't care	No outer tag is pushed. This overrides port settings in TAG_CFG. ES0 tag B is pushed as inner tag. ES0 tag B is effectively the outer tag, because no outer tag is pushed.
Tag C is controlled separately and will always be the inner most tag. All combinations of tags A to C are allowed.		
PUSH_CUSTOMER_TAG = 0	Controls port tag	Does not push customer tag (tag C).
PUSH_CUSTOMER_TAG = 1	Controls port tag	Push tag C if IFH.VSTAX.TAG.WAS_TAGGED = 1.
PUSH_CUSTOMER_TAG = 2	Controls port tag	Push tag C if IFH.VSTAX.TAG.WAS_TAGGED = 0.

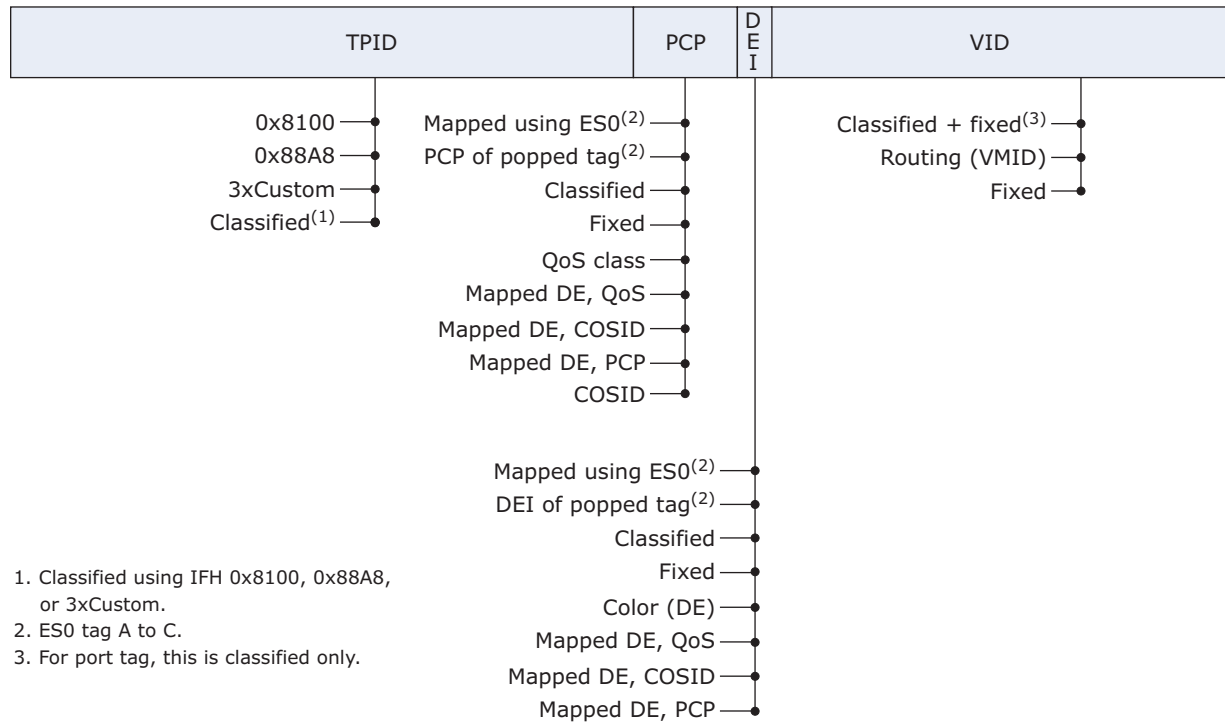
Table 192 • ES0 VLAN Tag Actions (continued)

ES0_ACTION	TAG_CFG	Tagging Action
PUSH_CUSTOMER_TAG = 3	Controls port tag	3: Push tag C if UNTAG_VID_ENA = 0 or (C-TAG.VID != VID_C_VAL) C-TAG.VID is controlled by TAG_C_VID_SEL.
UNTAG_VID_ENA	Controls port tag	See PUSH_CUSTOMER_TAG = 3.

3.24.7.4 Constructing VLAN Tags

The contents of the tag header are highly programmable when pushing a VLAN tag. The following illustration shows the VLAN tag construction.

Figure 73 • VLAN Tag Construction



1. Classified using IFH 0x8100, 0x88A8, or 3xCustom.
2. ES0 tag A to C.
3. For port tag, this is classified only.

The port tags (ES0.PUSH_OUTER_TAG = [0[2]]), the ES0 tags A to C, and the special tags have individual configurations.

3.24.7.4.1 Port Tag: PCP

Use REW:PORT:TAG_CTRL.TAG_PCP_CFG to configure the following:

- Use the classified PCP.
- Use the egress port's port VLAN (PORT_VLAN_CFG.PORT_PCP).
- Use the QoS class directly.
- Map DE and QoS class to a new PCP value using the per-port table PCP_MAP_DEx.
- Map DE and COSID to a new PCP value using the per-port table PCP_MAP_DEx.
- Map DE and classified PCP to a new PCP value using the per-port table PCP_MAP_DEx.
- Use the COSID class directly.

3.24.7.4.2 Port Tag: DEI

Use REW:PORT_TAG_CTRL.TAG_DEI_CFG to configure the following:

- Use the classified DEI.
- Use the egress port's port VLAN (PORT_VLAN_CFG.PORT_DEI).
- Use mapped DP to DE level (color).
- Map DE and QoS class to a new DEI value using the per-port table DEI_MAP_DEx.

- Map DE and COSID to a new DEI value using the per-port table DEI_MAP_DEx.
- Map DE and classified PCP to a new DEI value using the per-port table DEI_MAP_DEx.

3.24.7.4.3 Port Tag: VID

Use REW:PORT:TAG_CTRL.TAG_VID_CFG to configure the following:

- Use the classified VID.
- Use the egress port's port VLAN (PORT_VLAN_CFG.PORT_VID).
- Use VMID from router leg lookup. When L3 routing is active, the classified VID is overwritten by the VMID.

3.24.7.4.4 Port Tag: TPID

Use REW:PORT:TAG_CTRL.TAG_TPID_CFG to configure the following:

- Use Ethernet type 0x8100 (C-tag).
- Use Ethernet type 0x88A8 (S-tag).
- Use one of three custom TPIDs programmed in REW::TPID_CFG.TPID_VAL.
- The TPID is classified by ANA and selected by IFH.

Similar options for the ES0 tag A to tag C are available:

3.24.7.4.5 ES0 Tag: PCP

Use ES0 action TAG_x_PCP_SEL to configure the following:

- Use the classified PCP.
- Use ES0_ACTION.PCP_x_VAL.
- Use PCP of popped tag (IFH.VSTAX.TAG.WAS_TAGGED = 1 and num_popped_tags>0) else PCP_x_VAL.
- Use the complex mapping functionality provided by ES0 to lookup a PCP value.

3.24.7.4.6 ES0 Tag: DEI

Use ES0 action TAG_x_DEI_SEL to configure the following:

- Use the classified DEI.
- Use ES0_ACTION.DEI_x_VAL.
- Use the complex mapping functionality provided by ES0 to lookup a DEI value.
- Use DEI of popped tag (IFH.VSTAX.TAG.WAS_TAGGED = 1 and num_popped_tags>0) else DEI_x_VAL.
- Use the mapped DP to DE level (color) directly.

3.24.7.4.7 ES0 Tag: VID

Use ES0 action TAG_x_VID_SEL to configure the following:

- Tag A and B: Use the classified VID incremented with ES0.VID_x_VAL.
Tag C: Use the classified VID.
- Use ES0_ACTION.VID_x_VAL.

3.24.7.4.8 ES0 Tag: TPID

Use ES0 action TAG_x_TPID_SEL to configure the following:

- Use Ethernet type 0x8100 (C-tag).
- Use Ethernet type 0x88A8 (S-tag).
- Use one of three custom TPIDs programmed in REW::TPID_CFG.TPID_VAL.
- TPID is classified by ANA and selected via IFH.

GCPU or mirror forwarding can optionally insert additional tags. These will always be added as the outermost tags. One or two special tags (A and B) can be added. The tag construction options as follows:

Special Tag A+B: PCP

- Use the classified PCP.
- Use fixed value.

Special Tag A+B: DEI

- Use fixed value.

Special Tag A+B: VID

- Use fixed value.

Special Tag A+B: TPID

- Use Ethernet type 0x8100 (C-tag).
- Use Ethernet type 0x88A8 (S-tag).
- Use one of three custom TPIDs programmed in REW::TPID_CFG.TPID_VAL.
- TPID is classified by ANA and selected by means of IFH.

3.24.8 DSCP Remarking

The rewriter supports two DSCP remarking schemes. The first remarking mode is controlled by port and IFH settings. The second remarking mode is controlled by ES0 actions and by the general mapping tables.

DSCP actions from ES0 override any remarking done by the port.

3.24.8.1 ES0-Based DSCP Remarking

ES0 controls DSCP remarking if ES0 lookups are enabled and the DSCP_SEL action is different from 0. For more information, see [Mapping Tables](#), page 258.

3.24.8.2 Legacy Port-Based Mode

Simple DSCP remapping can be done using a common table shared by all ports.

The following table shows the port-based DSCP editing registers associated with remarking.

Table 193 • Port-Based DSCP Editing Registers

Register	Description	Replication
DP_MAP:DP	Maps the four drop precedence levels to a drop eligible value (DE). DE is also called color.	Global
DSCP_REMAP:DSCP_REMAP	Full one-to one DSCP remapping table common for all ports.	None
DSCP_MAP: DSCP_UPDATE_ENA	Selects DSCP from either frame or IFH.QOS.DSCP. If DSCP_MAP.DSCP_UPDATE_ENA = 1 and IFH.QOS.UPDATE_DSCP = 1: Selected DSCP = IFH.QOS.DSCP Else keep frame DSCP: Selected DSCP = Frame DSCP.	Ports
DSCP_MAP:DSCP_REMAP_ENA	Optionally remaps selected DSCP. If DSCP_MAP.DSCP_REMAP_ENA = 1 and IFH.QOS.TRANSPARENT_DSCP = 0: New DSCP = DSCP_REMAP [Selected DSCP]. Else do no remap: New DSCP = selected DSCP.	Ports

The following remarking options are available.

- No DSCP remarking. The DSCP value in the frame is untouched.
- Update the DSCP value in the frame with the value received from the analyzer in IFH.QOS.DSCP.
- Update the DSCP value in the frame with the frame DSCP mapped through DSCP_REMAP.DSCP_REMAP.
- Update the DSCP value in the frame with the value received from the analyzer (IFH.QOS.DSCP) mapped through DSCP_REMAP.DSCP_REMAP.

The ANA can set IFH.QOS.TRANSPARENT_DSCP to prevent DSCP mapping even if this is enabled for a port. The ANA can also force use of the frame DSCP for mapping by setting IFH.QOS.UPDATE_DSCP to 0.

The IP checksum is updated when changing the DSCP for IPv4 frames.

3.24.9 VStaX Header Insertion

The rewriter controls insertion of the VStaX header. For more information about the header fields, see [VStaX Header](#), page 21.

The following registers are used for configuration of the rewriter specific stacking functionality.

Table 194 • Rewriter VStaX Configuration Registers

Register	Description	Replication
COMMON_CTRL. OWN_UPSID	Configures own UPSID to be used for stacking.	None
CNT_CTRL. VSTAX_STAT_ESDX_DIS	Configures ESDX counting for stacking ports. If this bit is set and PORT_CTRL.VSTAX_HDR_ENA = 1, all counting based on the ESDX value is disabled regardless of the CNT_CTRL.STAT_MODE configuration.	None
PORT_CTRL. VSTAX_STACK_GRP_SEL	Selects logical stacking port (or stacking port group) membership.	Ports
PORT_CTRL. VSTAX_HDR_ENA	Enables insertion of stacking header in frame.	Ports
PORT_CTRL. VSTAX_PAD_ENA	Enables padding of frames to 76 bytes. Setting this bit will cause all frames on the port to be extended to 76 bytes instead of 64 bytes. This should only optionally be enabled for stacking ports (PORT_CTRL.VSTAX_HDR_ENA = 1). Setting this bit will prevent frames from becoming under sized in a receiving switch, when the VStaX header is removed. See ASM::ERR_STICKY.FRAGMENT_STICKY.	Ports
PORT_CTRL.VSTAX2_MIRR OR_OBEY_WAS_TAGGED	Configures tagging of frames with VSTAX.GEN.FWD_MODE = VS2_FWD_GMIRROR. Only active on front ports for frames with this FWD_MODE. This is used to control the remote mirror tagging of frames that have been mirrored from one unit in the stack to another unit.	Ports
PORT_CTRL. VSTAX2_MISC_ISDX_ENA	Configures VSTAX MISC field decoding. Select between MISC- or AC mode.	Ports
VSTAX_PORT_GRP_CFG. VSTAX_TTL	Link TTL value.	2
VSTAX_PORT_GRP_CFG. VSTAX_LRN_ALL_HP_ENA	Changes priority of learn all frames to the highest priority (IFH.VSTAX.QOS = 7).	2
VSTAX_PORT_GRP_CFG. VSTAX_MODE	Controls whether forwarding modes specific to VStaX AF are translated to BF forwarding modes. If set to 0, the following translation is performed: fwd_logical -> fwd_lookup fwd_mc -> fwd_lookup If set to 1, no translation is performed. Translation is only required for advanced forwarding switches operating in a basic forwarding stack.	2

3.24.10 Forwarding to GCPU

The OQS can redirect CPU frames on selected CPU queues to the external ports instead of sending them to the internal CPU. This is called GCPU forwarding and is typically used if an external CPU is connected to the VSC7442-02, VSC7444-02, and VSC7448-02 devices through an Ethernet port.

GCPU forwarding is controlled per individual CPU queue. Stack ports have additional options for GCPU forwarded frames.

Table 195 • GCPU Configuration Registers

Register	Description	Replication
GCPU_CFG. GCPU_KEEP_IFH	Used when GCPU frames are forwarded to a front port. Frames are sent with the IFH preserved. The IFH is encapsulated according to the configuration. Setting GCPU_KEEP_IFH to a value different from 0 overrides the GCPU_TAG_SEL and GCPU_DO_NOT_REW settings for front ports. No other rewrites are done to the frame. The GCPU_KEEP_IFH setting is not active if PORT_CTRL.KEEP_IFH_SEL is different from 0 or if PORT_CTRL.VSTAX_HDR_ENA = 1.	Per CPU Q
GCPU_CFG. GCPU_DO_NOT_REW	Used when GCPU frames are forwarded to a front port. Frames are not modified when forwarded to the GCPU except for the optional tags configured in GCPU_CFG.GCPU_TAG_SEL.	Per CPU Q
GCPU_CFG. GCPU_TAG_SEL	The destination port type determines the functionality. When a GCPU frame is forwarded to a stack port: Force a change of the VSTAX.TAG to the configured values in GCPU_TAG_CFG:0. When a GCPU frame is forwarded to a front port: Optionally add one or two Q-tags to the frame. The tags are configured using GCPU_TAG_CFG.	Per CPU Q
GCPU_CFG. GCPU_FWD_MODE	Used when GCPU frames are forwarded to a stack port. Configure forward mode of GCPU frames on stack ports by selecting value of VSTAX.GEN.FWD_MODE.	Per CPU Q
CPU_CFG. GCPU_UPSPN	Used when GCPU frames are forwarded to a stack port. CPU QUEUE to be used as destination queue for global CPU transmission. The value depends on configuration and the value of GCPU_CFG.GCPU_FWD_MODE. Controls the value of VSTAX.DST.DST_PN.	Per CPU Q
GCPU_CFG. GCPU_UPSID	Used when GCPU frames are forwarded to a stack port. UPSID to be used as destination in the VStaX header. Sets VSTAX.DST.DST_UPSID to configured value.	Per CPU Q
GCPU_TAG_CFG. TAG_TPID_SEL	Configuration of Q-Tags for GCPU frames. GCPU frames that are forwarded to a front port can optionally have one or two IEEE 802.3 VLAN tags added. The tags will be placed in the outer most position after the SMAC. GCPU VLAN tag Protocol Identifiers (TPID).	2
GCPU_TAG_CFG. TAG_VID_VAL	GCPU VLAN VID value.	2
GCPU_TAG_CFG. TAG_DEI_VAL	GCPU VLAN DEI values.	2
GCPU_TAG_CFG. TAG_PCP_SEL	Selection of GCPU VLAN PCP values.	2
GCPU_TAG_CFG. TAG_PCP_VAL	GCPU VLAN PCP values.	2

The IFH.MISC.CPU_MASK field is used to select the GCPU forwarding configuration. If multiple bits are set in this mask, the most significant bit is always used to control the GCPU forwarding. The ANA_AC::CPU_CFG.ONE_CPU_COPY_ONLY_MASK register is used to control how the CPU_MASK is set before the frame enters the rewriter. If the CPU_MASK field is 0, all GCPU forwarding is disabled.

GCPU frame forwarding must be enabled in the OQS per CPU queue using the QFWD::FRAME_COPY_CFG.FRMC_PORT_VAL registers.

3.24.11 Layer 3 Routing

The following registers are associated with routing (Layer 3, or L3). They are used when the analyzer signals routing by setting IFH.FWD.DST_MODE = L3UC_ROUTING or L3MC_ROUTING.

The analyzer can also signal routing using IFH.DST.ENCAP.RT_FWD = 1. In this case, the MAC addresses and VMIDs are controlled directly by the analyzer, and the registers in the rewriter are not used.

Table 196 • Routing SMAC Configuration Registers

Register	Description	Replication
RLEG_CFG_0. RLEG_MAC_LSB	Router Leg SMAC address used for IP routing (least significant bits). Must be set identical to ANA_L3::RLEG_0.RLEG_MAC_LSB.	None
RLEG_CFG_1. RLEG_MAC_TYPE_SEL	Configures how Router Leg MAC addresses are specified. Must be set identical to ANA_L3::RLEG_CFG_1.RLEG_MAC_TYPE_SEL. 0: RLEG_MAC:= RLEG_MAC_MSB(23:0) and (RLEG_MAC_LSB(23:0) + VMID(7:0) mod 2 ²⁴) 1: RLEG_MAC:= RLEG_MAC_MSB(23:0) and (RLEG_MAC_LSB(23:0) + VID(11:0) mod 2 ²⁴) Others: RLEG_MAC:= RLEG_MAC_MSB(23:0) and RLEG_MAC_LSB(23:0) number of common address for all VLANs.	None
RLEG_CFG_1.RLEG_MAC_MSB	MSB part of SMAC used for IP routing. Must be set identical to ANA_L3::RLEG_MAC_MSB.	None

The IFH.DST.L3_[MC]UC]ROUTING.ERLEG fields are used to select the VID of routed frames using the Egress Mapped VLAN (VMID) configuration registers listed in the following table.

Table 197 • L3 Routing Egress Mapping VLAN (EVMID)

Register	Description	Replication
RLEG_CTRL.RLEG_EVID	VID value assigned to this router leg.	128
RLEG_CTRL. RLEG_VSTAX2_WAS_TAGGED	Control the value of IFH.VSTAX.TAG.WAS_TAGGED field in the stack header for frames that are L3 forwarded to a stack port.	128

3.24.12 Mirror Frames

The devices offer three mirror probe sets that can be individually configured. The following table lists the rewriter configuration registers associated with mirroring.

Table 198 • Mirror Probe Configuration Registers

Register	Description	Replication
MIRROR_PROBE_CFG. MIRROR_TX_PORT	The Tx port for each mirror probe (from where rewrite configuration was taken).	Mirror probes
MIRROR_PROBE_CFG. REMOTE_ENCAP_ID	Selects encapsulation ID to use for remote mirror frames.	Mirror probes
MIRROR_PROBE_CFG. REMOTE_MIRROR_CFG	Enables encapsulation of mirrored frames. One or two Q-tags (Q-in-Q) or the encapsulation table can be used. In tag mode, the VLAN tags are added to the outer most position after the SMAC. This also the case if a MPLS link layer is added to the frame. The tags are then added after the LL-SMAC. In encapsulation mode, an entry in the ENCAP table is used for encapsulation. This overrides any encapsulation selected by ES0 for the frame.	

Table 198 • Mirror Probe Configuration Registers (continued)

Register	Description	Replication
MIRROR_TAG_x_CFG: TAG_x_PCP_VAL	Mirror Q-tag PCP value.	2× mirror probes
MIRROR_TAG_x_CFG: TAG_x_PCP_SEL	Selection of mirror Q-tag PCP values.	2× mirror probes
MIRROR_TAG_x_CFG: TAG_x_DEI_VAL	Mirror Q-tag DEI values.	2× mirror probes
MIRROR_TAG_x_CFG: TAG_x_VID_VAL	Mirror Q-tag VID values.	2× mirror probes
MIRROR_TAG_x_CFG: TAG_x_TPID_SEL	The tag protocol identifier (TPID) for the remote mirror VLAN tag.	2× mirror probes

The devices support mirroring frames from either Rx ports (ingress mirror) or Tx ports (egress mirror). Frames either received on a port (Rx mirror) or frames sent to a port (Tx mirror) are copied to a mirror destination port.

For Tx mirroring, the rewriter rewrites the frame sent to the mirror destination port, exactly as the original frame copy is rewritten when forwarded to the mirror probe port. The mirror probe port number must be configured in the rewriter using register MIRROR_TX_PORT.

For Rx mirroring, the rewriter makes no modifications to the frame, so an exact copy of the original frame as received on the mirror probe port (ingress port) is sent out on the mirror destination port.

The analyzer controls both Rx and Tx mirroring. For more information, see [Mirroring](#), page 205. The rewriter obtains mirror information for the frame from the internal frame header.

IFH.FWD.MIRROR_PROBE indicates if the frame is a mirror copy and if so, to which of three mirror probes the frame belongs. Encoding is as follows.

- MIRROR_PROBE = 0: Frame is not a mirror copy
- MIRROR_PROBE = 1: Frame is mirrored using mirror probe set 1
- MIRROR_PROBE = 2: Frame is mirrored using mirror probe set 2
- MIRROR_PROBE = 3: Frame is mirrored using mirror probe set 3

In addition, the IFH.FWD.RX_MIRROR bit indicates if the frame is Rx mirrored (1) or Tx mirrored (0).

When mirroring traffic to a device that is not directly attached to the VSC7442-02, VSC7444-02, VSC7448-02, and VSC7449-02 device, it may be required to push one or two VLAN tags to mirrored frame copies as to not violate general VLAN membership for the mirror destination port. These VLAN tags are called “remote mirror VLAN tags” and can be configured individually for each mirror probe set. When enabled, the remote mirror VLAN tags are pushed onto all mirrored traffic by the rewriter whether it is an Rx mirrored frame or a Tx mirrored frame. For remote mirroring it is also possible to add MPLS encapsulation using the encapsulation table if this is required for forwarding the frame.

The REMOTE_MIRROR_ENA register configures whether to add one or two remote mirror VLAN tags or MPLS encapsulation. The REMOTE_ENCAP_ID select the MPLS encapsulation to be used.

For Tx mirroring, care must be taken if maximum frame expansion is already required by the rewriter for the TX mirror probe port. In this case enabling remote mirror VLAN tags or encapsulation would add an extra frame expansion, which can cause frame disruption on the mirror destination port. It is not possible to add remote mirror encapsulation to a frame that already has encapsulation added by ES0. In this case the remote mirror encapsulation ID will replace the ID selected by the ES0.ENCAP_ID action.

3.24.13 Internal Frame Header Insertion

The rewriter can be configured to insert the internal frame header (IFH) into the frame upon transmission. For more information about the IFH, [Frame Headers](#), page 14.

Insertion of the IFH can be configured on any port, but it is intended for frames forwarded to the internal CPU and the NPI port (external CPU). When IFH insertion is enabled on a given port, all frames leaving that port contain the IFH.

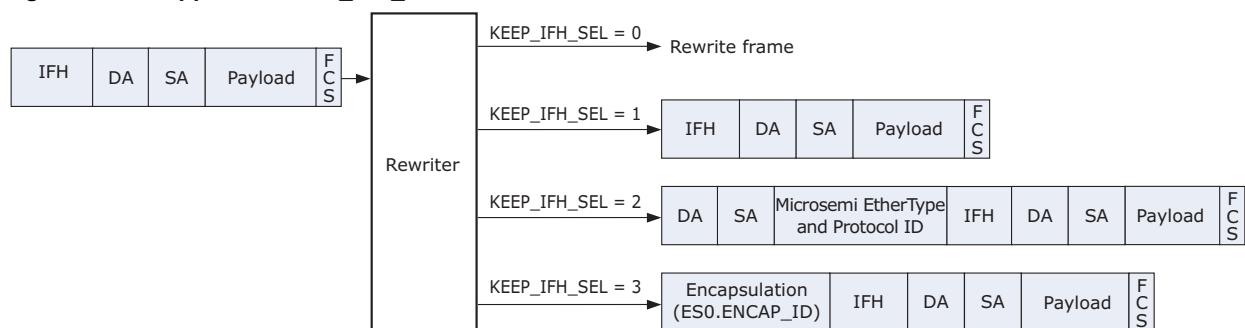
The following table lists the registers for configuring the insertion of extraction IFH into the frame.

Table 199 • IFH Configuration Registers

Register	Description	Replication
PORT_CTRL.KEEP_IFH_SEL	Configures the rewriter IFH mode for the port. See also ASM::PORT_CFG.INJ_FORMAT_CFG. 0: Normal mode. 1: Keep IFH without modifications. Frames are not updated. IFH is kept. 2: Encapsulate IFH. The frame's DMAC, SMAC and a fixed TAG with ETYPE = 8880 (Microsemi) and EPID=0x0007 are inserted in front of the IFH: [FRM_DMAC][FRM_SMAC][0x8880][0x0007][IFH][FRAME]. 3: Encapsulate IFH using the ENCAP table. Use ES0 to generate an ENCAP_ID and insert the encapsulation in front of the IFH:[ENCAP][IFH][FRAME]	Ports

The following illustration shows supported formats using KEEP_IFH_SEL.

Figure 74 • Supported KEEP_IFH_SEL Formats



Frames are always formatted using KEEP_IFH_SEL = 1 when extracting frames to the internal CPU ports. This cannot be changed.

Note that for KEEP_IFH_SEL = 1, the frames transmitted on external ports are not valid Ethernet frames, because the extraction IFH precedes the DMAC. As a result, this frame format must be used for direct transmission to another VSC7442-02, VSC7444-02, VSC7448-02, and VSC7449-02 device or to a dedicated FPGA or NPU. This format cannot be used for forwarding to a standard Ethernet device.

The frame formats using KEEP_IFH_SEL = 2 or KEEP_IFH_SEL = 3 are primarily used on a port that is directly attached to an external CPU. When the IFH is included using these frame formats, the IFH is included in the frame's FCS calculation and a valid Ethernet frame is transmitted.

3.24.14 Frame Injection from Internal CPU

To instruct the switch core how to process the frame, the internal CPU injects frames to switch core using the internal frame header. The format of injected frames from the internal CPU is similar to the KEEP_IFH_SEL = 1 format.

On arrival to the rewriter, such injected frames are no different from any other frames. However, the IFH contains information related to rewriter functionality specifically targeting efficient frame injection:

- Do not rewrite (IFH.FWD.DO_NOT_REW):
If this injection IFH bit is set, the rewriter forward frames unchanged to the egress port no matter any other rewriter configurations, except IFH.FWD.update_fcs.
- Update frame check sequence (IFH.FWD.UPDATE_FCS):
If this injection IFH bit is set, the rewriter updates the FCS before forwarding a frame to the egress

port. By setting this bit in the Injection IFH, the internal CPU can leave it to switch core hardware to make sure the FCS value included with the frame is correct even though no other frame modifications are performed by the switch core.

- Swap MACs (IFH.DST.ENCAP.SWAP_MAC): Swap MACs in the Ethernet link layer and clear bit 40 of the new SMAC before sending the frame to the egress port. Swapping the MACs will also force the frame FCS to be updated. Cannot be used if IFH.FWD.DO_NOT_REW = 1.

3.25 Disassembler

This section provides information about the disassembler (DSM) block. The disassembler is mainly responsible for disassembling cells into Taxi words and forwarding them to the port modules. In addition, it has several other responsibilities such as:

- MAC Control sublayer PAUSE function with generation of PAUSE frames and stop forwarding traffic on reception of PAUSE frames
- Aging of frames that are stopped by flow control
- Controlling transmit data rate according to IEEE802.3ar

The following table lists replication terminology.

Table 200 • Replication Terminology

Replication Terminology	Description	Replication Value
Per port	Per physical ports. For example, DEV1Gs, DEV2G5s, DEV10Gs and CPU ports.	55

3.25.1 Setting Up Ports

In general, no additional configuration is required to bring up a port in the disassembler. However, the following are some exceptions:

- For the 10G capable ports, set DSM::BUF_CFG.CSC_STAT_DIS to 1 when the port is set up for speeds above 2.5 Gbps, because the collection of statistics are handled locally in the DEV10G. For lower speeds, the port uses a DEV2G5.
- For 10G capable ports, set DSM::DEV_TX_STOP_WM_CFG.DEV_TX_STOP_WM to 3 if the port is set up for 2.5 Gbps or 1 Gbps, and set it to 1 for 100 Mbps and 10 Mbps.
- For 10G capable ports, set DSM::DEV_TX_STOP_WM_CFG.DEV10G_SHADOW_ENA to 1 when port is set up for speeds below 10 Gbps.
- For 10G capable ports, set DSM::SCH_STOP_WM_CFG.SCH_STOP_WM to 116.

Ports are indexed by 0 – 52 being front ports and 53 – 54 being CPU ports.

The following table lists the registers associated with setting up basic ports.

Table 201 • Basic Port Setup Configuration Registers Overview

Target::Register.Field	Description	Replication
DSM::BUF_CFG.CSC_STAT_DIS	Disables collection of statistics in the disassembler.	Per port
DSM::DEV_TX_STOP_WM_CFG.DEV_TX_STOP_WM	Watermark for maximum fill level of port module TX buffer.	Per port
DSM::DEV_TX_STOP_WM_CFG.DEV10G_SHADOW_ENA	Enable low speeds for 10G capable ports.	Per port

3.25.2 Maintaining the Cell Buffer

The cell buffer is responsible for aligning and buffering the cell data received from the rewriter before the data are forwarded on the Taxi bus.

The cell buffer can be flushed for each port separately.

The following table lists registers associated with configuring buffer maintenance.

Table 202 • Buffer Maintenance Configuration Register Overview

Target::Register.Field	Description	Replication
DSM::CLR_BUF.CLR_BUF	Flush the cell buffer.	Per port

Before a buffer is flushed, ensure that no data is forwarded to this port by stopping the QSYS forwarding and disabling FC/PFC so that frames waiting for transmission will be sent. FC can be disabled in DSM::RX_PAUSE_CFG.RX_PAUSE_EN.

3.25.3 Setting Up MAC Control Sublayer PAUSE Function

This section provides information about setting up the MAC control sublayer PAUSE function.

3.25.3.1 PAUSE Frame Generation

The main sources for triggering generation of PAUSE frames are the port level and buffer level watermarks in the queue system. It is also possible to trigger PAUSE generation based on the analyzer policing state.

For watermark-based PAUSE generation, a hysteresis is implemented. FC is indicated when the level of used resources exceeds the high watermark and it is released when the level falls below the low watermark. The following table lists the registers associated with configuration PAUSE frame generation.

Table 203 • PAUSE Frame Generation Configuration Registers Overview

Target::Register.Field	Description	Replication
DSM::ETH_FC_CFG.FC_ANA_ENA	Controls generation of FC based on FC request from the analyzer.	Per port
DSM::ETH_FC_CFG.FC_QS_ENA	Controls the generation of FC based on FC request from the queue system.	Per port
DSM::MAC_CFG.TX_PAUSE_VAL	The pause_time as defined by IEEE802.3 Annex 31B2	Per port
DSM::MAC_CFG.TX_PAUSE_XON_XOFF	TX PAUSE zero on deassert.	Per port
DSM::MAC_ADDR_BASE_HIGH_CFG.MAC_ADDR_HIGH	Bits 47-24 of SMAC address used in MAC_Control frames.	Per port
DSM::MAC_ADDR_BASE_LOW_CFG.MAC_ADDR_LOW	Bits 23-0 of SMAC address used in MAC_Control frames.	Per port

DSM::MAC_CFG.TX_PAUSE_VAL defines the timer value for generated PAUSE frames. If the state does not change by half of the time specified in this bit group, a new PAUSE frame is generated.

To generate a zero value pause frame when the reason for pausing has disappeared, set DSM::MAC_CFG.TX_PAUSE_XON_XOFF to 1.

The DMAC of a generated pause frame is always the globally assigned 48-bit multicast address 01 80 C2 00 00 01.

The SMAC of a generated pause frame is defined by DSM::MAC_ADDR_BASE_HIGH_CFG.MAC_ADDR_HIGH and DSM::MAC_ADDR_BASE_LOW_CFG.MAC_ADDR_LOW.

3.25.3.2 Reaction on Received PAUSE Frame

The assembler detects received PAUSE frames and forwards the pause_time to the disassembler, which stops data transmission (if enabled) for the period defined by pause_time. If PFC is enabled for a port, then RX_PAUSE_EN must be disabled in the disassembler.

It is possible to configure the disassembler to not stop traffic locally but to instead forward the stop information to the queue system. This is configured by setting DSM::RX_PAUSE_CFG.FC_OBEY_LOCAL to 1.

Note that this behavior does not conform to IEEE 802.3, and the time until data transmission is stopped is increased.

The following table lists the registers associated with configuring PAUSE frame reception.

Table 204 • PAUSE Frame Reception Configuration Registers Overview

Target::Register.Field	Description	Replication
DSM::RX_PAUSE_CFG.RX_PAUSE_EN	Enables flow control in Rx direction	Per port
DSM::RX_PAUSE_CFG.FC_OBEY_LOCAL	Configures whether flow control is obeyed locally in the disassembler or flow control information is sent to the queue system.	Per port

3.25.3.3 PFC Pause Frame Generation

When PFC is enabled for a port, PFC PAUSE frames are generated when requested by the queue system.

PFC is enabled on a per port basis in the disassembler. The queue system must also be setup to generate PFC requests towards the disassembler. Regular flow control and PFC cannot operate simultaneously on the same port. The available PFC configurations in the disassembler are listed in the following table.

Table 205 • PFC PAUSE Frame Generation Configuration Registers Overview

Target::Register.Field	Description	Replication
DSM::ETH_PFC_CFG.PFC_MIN_UPDATE_TIME	Minimum time between two PFC PDUs when PFC state changes after transmission of PFC PDU.	Per port
DSM::ETH_PFC_CFG.PFC_XOFF_MIN_UPDATE_ENA	After sending PFC PDU with flow control deasserted for all priorities, enforces a PFC_MIN_UPDATE_TIME delay before allowing transmission of next PFC PDU.	Per port
DSM::ETH_PFC_CFG.PFC_ENA	Enables PFC operation for the port.	Per port

3.25.4 Setting up Flow Control in Half-Duplex Mode

The following table lists the configuration registers for half-duplex mode flow control. For more information about setting up flow control in half-duplex mode, see [PAUSE Frame Generation](#), page 272.

Table 206 • Half-Duplex Mode Flow Control Configuration Register Overview

Target::Register.Field	Description	Replication
DSM::MAC_CFG.HDX_BACKPRESSURE	Enables HDX backpressure instead of FDX FC when FC is generated.	Per port

To enable half-duplex flow control, DSM::MAC_CFG.HDX_BACKPRESSURE must be set to 1. In this mode, the disassembler forwards the FC status to the port modules, which then collides incoming frames.

3.25.5 Setting Up Frame Aging

The following tables provide the aging configuration and status register settings. If frame aging is enabled, the disassembler discards frames that are stuck, for example, due to flow control or frames that

are received from the queue system with an era value eligible for aging. Frames discarded by aging are counted in DSM::AGED_FRMS.AGED_FRMS_CNT.

Table 207 • Aging Configuration Register Overview

Target::Register.Field	Description	Replication
DSM::BUF_CFG.AGING_ENA	Enable aging of frames stuck in the disassembler buffer system for long periods.	Per port

Table 208 • Aging Status Register Overview

Target::Register.Field	Description	Replication
DSM::AGED_FRMS.AGED_FRMS_CNT	Count number of aged frames.	Per port

3.25.6 Setting Up Transmit Data Rate Limiting

The disassembler can limit the transmit data rate as specified in IEEE802.3ar, which defines the following three rate limiting methods. The disassembler allows enabling of any combination of the following three methods.

- Frame overhead
- Payload data rate
- Frame rate

The following table lists the registers associated with rating limiting.

Table 209 • Rate Limiting Common Configuration Registers Overview

Target::Register.Field	Description	Replication
DSM::TX_RATE_LIMIT_MODE. TX_RATE_LIMIT_ACCUM_MODE_ENA	Enables for accumulated rate limit mode.	Per port
DSM::TX_RATE_LIMIT_MODE. PAYLOAD_PREAM_CFG	Defines whether the preamble is counted as payload in txRateLimitPayloadRate and txRateLimitFrameRate mode.	Per port
DSM::TX_RATE_LIMIT_MODE. PAYLOAD_CFG	Defines if what is configured as header size in TX_RATE_LIMIT_HDR_SIZE::TX_RATE_LIMIT_HDR_CFG is subtracted from the payload.	Per port
DSM::TX_RATE_LIMIT_MODE. IPG_SCALE_VAL	Scales the IPG calculated by txRateLimitFrameOverhead and/or txRateLimitPayloadRate by a power of 2.	Per port
DSM::TX_RATE_LIMIT_HDR_CFG. TX_RATE_LIMIT_HDR_SIZE	Defines how much of the frame is seen as header and not counted as payload.	per port

If more than one of the rate limiting modes previously mentioned are enabled, the additional inter-packet gap is the maximum of each of the values generated by one of the enabled modes. However, if only the frame overhead and the data payload data rate modes are enabled, the additional inter-packet gap can be calculated as the sum of the additional gaps retrieved from each of the two modes. To enable the function, set DSM::TX_RATE_LIMIT_MODE.TX_RATE_LIMIT_ACCUM_MODE_ENA to 1.

If the preamble of a frame is not to be counted as payload, set DSM::TX_RATE_LIMIT_MODE.PAYLOAD_CFG to 0.

In addition, if parts of the frame are to be seen as header and not counted as payload, set DSM::TX_RATE_LIMIT_MODE.PAYLOAD_CFG to 1. DSM::TX_RATE_LIMIT_HDR_CFG.TX_RATE_LIMIT_HDR_SIZE defines how much of the frame that should be considered as header. Note that this register is global for all ports enabled by DSM::TX_RATE_LIMIT_MODE.PAYLOAD_CFG. The payload configuration applies to Payload Data Rate and Frame Rate mode.

To enable bandwidth limiting down to very low data rates, the calculated IPG can be scaled. In other words, multiplied by a power of 2 in the range 2 to 1,024. By this it is possible to limit the data rate down to 2.3% (for 1536 byte frames).

3.25.6.1 Setting Up Frame Overhead

The following table lists the frame overhead configuration registers.

Table 210 • Rate Limiting Frame Overhead Configuration Registers Overview

Target::Register.Field	Description	Replication
DSM::TX_RATE_LIMIT_MODE. TX_RATE_LIMIT_FRAME_OVERHEAD_ENA	Enable txRateLimitFrameOverhead mode.	Per port
DSM::RATE_CTRL.FRM_GAP_COMP	Inter-packet gap to be used.	Per port

To increase the minimum inter-packet gap for all packets, set DSM::TX_RATE_LIMIT_MODE.TX_RATE_LIMIT_FRAME_OVERHEAD_ENA to 1, and set DSM::RATE_CTRL.FRM_GAP_COMP to a value between 13 to 255.

For more information about the scaling feature if the GAP must be above 255, see [Setting Up Transmit Data Rate Limiting](#), page 274.

3.25.6.2 Setting Up Payload Data Rate

The following table lists the payload data rate configuration registers.

Table 211 • Rate Limiting Payload Data Rate Configuration Registers Overview

Target::Register.Field	Description	Replication
DSM::TX_RATE_LIMIT_MODE. TX_RATE_LIMIT_PAYLOAD_RATE_ENA	Enable txRateLimitPayloadRate mode.	Per port
DSM::TX_IPG_STRETCH_RATIO_CFG. TX_FINE_IPG_STRETCH_RATIO	Stretch ratio.	Per port

To limit the data rate relative to the transmitted payload, set DSM::TX_RATE_LIMIT_MODE.TX_RATE_LIMIT_PAYLOAD_RATE_ENA to 1.

The inter-packet gap increase can be expressed as:

$$\Delta\text{IPG} = 2^S \times (256/R) \times L$$

Where:

S: Scaling factor DSM::TX_RATE_LIMIT_MODE.IPG_SCALE_VAL

R: Stretch ratio DSM::TX_IPG_STRETCH_RATIO_CFG.TX_FINE_IPG_STRETCH_RATIO

L: Payload length, possibly modified according to DSM::TX_RATE_LIMIT_MODE.PAYLOAD_PREAM_CFG and DSM::TX_RATE_LIMIT_MODE.PAYLOAD_CFG

Note: Total IPG is 12 byte standard IPG plus IPG.

Values for R must not be below 1152 or above 518143.

Values for S must not be above 10.

Fractional parts of the resulting IPG value are carried forward to the next IPG.

Higher values for S allow for finer target accuracy/granularity on the cost of an increased IPG jitter.

The utilization can be expressed as:

$$U = L / (L + \text{IPG}) \text{ or}$$

$$U = R / (R + 2S \times 256)$$

3.25.6.3 Setting Up Frame Rate

The following table lists the frame rate configuration registers.

Table 212 • Rate Limiting Frame Rate Registers Overview

Target::Register.Field	Description	Replication
DSM::TX_RATE_LIMIT_MODE. TX_RATE_LIMIT_FRAME_RATE_ENA	Enables txRateLimitFrameRate mode.	Per port
DSM::TX_FRAME_RATE_START_CFG. TX_FRAME_RATE_START	Frame rate start.	Per port

To define a minimum frame spacing, set DSM::TX_RATE_LIMIT_MODE.TX_RATE_LIMIT_FRAME_RATE_ENA to 1.

At start of payload, a counter is loaded with the value stored in DSM::TX_FRAME_RATE_START_CFG.TX_FRAME_RATE_START.

What is counted as payload is defined by DSM::TX_RATE_LIMIT_MODE.PAYLOAD_PREAM_CFG and DSM::TX_RATE_LIMIT_MODE.PAYLOAD_CFG.

With every payload byte transmitted, the counter is decremented by 1.

At end of frame, the GAP will be extended by the counter value, if above 12.

3.25.7 Error Detection

The following table lists the error detection status registers.

Table 213 • Error Detection Status Registers Overview

Target::Register.Field	Description	Replication
DSM::BUF_OFLW_STICKY.BUF_OFLW_STICKY	Cell buffer had an overflow.	Per port
DSM::BUF_UFLW_STICKY.BUF_UFLW_STICKY	Cell buffer had an underrun.	Per port
DSM::TX_RATE_LIMIT_STICKY.TX_RATE_LIMIT_STICKY	IPG was increased by one of the three rate limiting modes.	Per port.

If one or both of BUF_OFLW_STICKY and BUF_UFLW_STICKY sticky bits are set, the port module was set up erroneously.

TX_RATE_LIMIT_STICKY is set when an IPG of a frame is increased due to one of the three rate limiting modes.

3.26 Layer 1 Timing

There are five recovered clock outputs that provide timing sources for external timing circuitry in redundant timing implementations. The following tables list the registers and pins associated with Layer 1 timing.

Table 214 • Layer 1 Timing Configuration Registers

Register	Description
HSIO::SYNC_ETH_CFG	Configures recovered clock output. Replicated per recovered clock output.
HSIO::SYNC_ETH_PLL2_CFG	Additional PLL2 recovered clock configuration.
HSIO::SYNC_ETH_SD10G_CFG	Additional 10G recovered clock configurations. Replicated per SERDES10G.
HSIO::PLL5G_CFG3	Enables high speed clock output.

Table 215 • Layer 1 Timing Recovered Clock Pins

Pin Name	I/O	Description
RCVRD_CLK0	O	Recovered clock output, configured by SYNC_ETH_CFG[0].
RCVRD_CLK1	O	Recovered clock output, configured by SYNC_ETH_CFG[1].
RCVRD_CLK2	O	Recovered clock output, configured by SYNC_ETH_CFG[2].
RCVRD_CLK3	O	Recovered clock output, configured by SYNC_ETH_CFG[3].
CLKOUT2	O	PLL2 high speed clock output.

It is possible to recover receive timing from any 10/100/1000 Mbps, 2.5 Gbps, XAUI, RXAUI, or SFI data streams into the devices. For QSGMII links, timing must be recovered in the PHY, because the QSGMII link retimes during aggregation of data streams.

The SYNC_ETH_CFG register provides per recovered clock divider configuration, allowing division by one, four, or five before sending out clock frequency.

The recovered clock outputs have individual divider configuration (through SYNC_ETH_CFG) to allow division of SerDes receive frequency by one, four, or five. In addition to the output dividers, the SFI 10G sources have local pre-dividers to allow adjustments for the SFI links 64/66 encoding overhead by extending clock cycles.

The recovered clocks are single-ended outputs. The suggested divider settings in the following tables are selected to make sure to not output too high frequency via the input and outputs.

Ports operating in 1 Gbps or lower speeds allow recovery of 125 MHz clocks. Configure the ports as shown in the following table.

Table 216 • Recovered Clock Settings for 1 Gbps or Lower

Port	Output Frequency	Register Settings for Output <i>n</i>
0–23	125 MHz	SYNC_ETH_CFG[n].RECO_CLK_ENA=1, SYNC_ETH_CFG[n].SEL_RECO_CLK_DIV=0, and SYNC_ETH_CFG[n].SEL_RECO_CLK_SRC=(DEV+1)
0–23	31.25 MHz	SYNC_ETH_CFG[n].RECO_CLK_ENA=1, SYNC_ETH_CFG[n].SEL_RECO_CLK_DIV=2, and SYNC_ETH_CFG[n].SEL_RECO_CLK_SRC=(DEV+1)
24–31	125 MHz	SYNC_ETH_CFG[n].RECO_CLK_ENA=1, SYNC_ETH_CFG[n].SEL_RECO_CLK_DIV=0, and SYNC_ETH_CFG[n].SEL_RECO_CLK_SRC=(DEV+5)
24–31	31.25 MHz	SYNC_ETH_CFG[n].RECO_CLK_ENA=1, SYNC_ETH_CFG[n].SEL_RECO_CLK_DIV=2, and SYNC_ETH_CFG[n].SEL_RECO_CLK_SRC=(DEV+5)
48	125 MHz	SYNC_ETH_CFG[n].RECO_CLK_ENA=1, SYNC_ETH_CFG[n].SEL_RECO_CLK_DIV=0, and SYNC_ETH_CFG[n].SEL_RECO_CLK_SRC=0
48	31.25 MHz	SYNC_ETH_CFG[n].RECO_CLK_ENA=1, SYNC_ETH_CFG[n].SEL_RECO_CLK_DIV=2, and SYNC_ETH_CFG[n].SEL_RECO_CLK_SRC=0
49–52	125 MHz	SYNC_ETH_CFG[n].RECO_CLK_ENA=1, SYNC_ETH_CFG[n].SEL_RECO_CLK_DIV=0, SYNC_ETH_CFG[n].SEL_RECO_CLK_SRC=(DEV-24), and SYNC_ETH_SD10G_CFG[DEV-49].SD10G_RECO_CLK_DIV=0

Table 216 • Recovered Clock Settings for 1 Gbps or Lower

Port	Output Frequency	Register Settings for Output <i>n</i>
49–52	31.25 MHz	SYNC_ETH_CFG[n].RECO_CLK_ENA=1, SYNC_ETH_CFG[n].SEL_RECO_CLK_DIV=2, SYNC_ETH_CFG[n].SEL_RECO_CLK_SRC=(DEV-24), and SYNC_ETH_SD10G_CFG[DEV-49].SD10G_RECO_CLK_DIV=0

Ports operating in 2.5 Gbps mode allow recovery of a 125 MHz or 156.25 MHz clock, depending on the port type. The following table shows the configuration settings.

Table 217 • Recovered Clock Settings for 2.5 Gbps

Port	Output Frequency	Register Settings for Output <i>n</i>
8–23	31.25 MHz	SYNC_ETH_CFG[n].RECO_CLK_ENA=1, SYNC_ETH_CFG[n].SEL_RECO_CLK_DIV=1, and SYNC_ETH_CFG[n].SEL_RECO_CLK_SRC=(DEV+1)
24–31	31.25 MHz	SYNC_ETH_CFG[n].RECO_CLK_ENA=1, SYNC_ETH_CFG[n].SEL_RECO_CLK_DIV=1, and SYNC_ETH_CFG[n].SEL_RECO_CLK_SRC=(DEV+5)
48	31.25 MHz	SYNC_ETH_CFG[n].RECO_CLK_ENA=1, SYNC_ETH_CFG[n].SEL_RECO_CLK_DIV=1, and SYNC_ETH_CFG[n].SEL_RECO_CLK_SRC=0
49–52	31.25 MHz	SYNC_ETH_CFG[n].RECO_CLK_ENA=1, SYNC_ETH_CFG[n].SEL_RECO_CLK_DIV=2, SYNC_ETH_CFG[n].SEL_RECO_CLK_SRC=(DEV-24), and SYNC_ETH_SD10G_CFG[DEV-49].SD10G_RECO_CLK_DIV=1

Ports operating in XAUI or RXAUI modes allow recovery of a 156.25 MHz clock. Configure as shown in the following table.

Table 218 • Recovered Clock Settings for XAUI/RXAUI

Port	Output Frequency	Register Settings for Output <i>n</i>
49	31.25 MHz	SYNC_ETH_CFG[n].RECO_CLK_ENA=1, SYNC_ETH_CFG[n].SEL_RECO_CLK_DIV=1, and SYNC_ETH_CFG[n].SEL_RECO_CLK_SRC=29
50	31.25 MHz	SYNC_ETH_CFG[n].RECO_CLK_ENA=1, SYNC_ETH_CFG[n].SEL_RECO_CLK_DIV=1, and SYNC_ETH_CFG[n].SEL_RECO_CLK_SRC=33
41	31.25 MHz	SYNC_ETH_CFG[n].RECO_CLK_ENA=1, SYNC_ETH_CFG[n].SEL_RECO_CLK_DIV=1, and SYNC_ETH_CFG[n].SEL_RECO_CLK_SRC=17
52	31.25 MHz	SYNC_ETH_CFG[n].RECO_CLK_ENA=1, SYNC_ETH_CFG[n].SEL_RECO_CLK_DIV=1, and SYNC_ETH_CFG[n].SEL_RECO_CLK_SRC=21

Ports operating in SFI mode allow two base frequencies: One derived directly from the line rate and one that is adjusted for the 64/66 encoding overhead. The latter is generated by extending every sixteenth

clock cycle by half a clock-period. While this introduces jitter, it makes the frequency compatible with the other recovered clocks. Configure as described in the following table.

Table 219 • Recovered Clock Settings for SFI

Port	Output Frequency	Register Settings for Output <i>n</i>
49–52	~161 MHz (10.3125 GHz/64)	SYNC_ETH_CFG[n].RECO_CLK_ENA=1, SYNC_ETH_CFG[n].SEL_RECO_CLK_DIV=0, SYNC_ETH_CFG[n].SEL_RECO_CLK_SRC=(DEV-24), and SYNC_ETH_SD10G_CFG[DEV-49].SD10G_RECO_CLK_DIV=1.
49–52	156.25 MHz	SYNC_ETH_CFG[n].RECO_CLK_ENA=1, SYNC_ETH_CFG[n].SEL_RECO_CLK_DIV=0, SYNC_ETH_CFG[n].SEL_RECO_CLK_SRC=(DEV-24), and SYNC_ETH_SD10G_CFG[DEV-49].SD10G_RECO_CLK_DIV=2. Synthesized by extending every 16 th clock cycle by 1/2 period.
49–52	~32 MHz (10.3125 GHz/320)	SYNC_ETH_CFG[n].RECO_CLK_ENA=1, SYNC_ETH_CFG[n].SEL_RECO_CLK_DIV=1, SYNC_ETH_CFG[n].SEL_RECO_CLK_SRC=(DEV-24), and SYNC_ETH_SD10G_CFG[DEV-49].SD10G_RECO_CLK_DIV=1.
49–52	31.25 MHz	SYNC_ETH_CFG[n].RECO_CLK_ENA=1, SYNC_ETH_CFG[n].SEL_RECO_CLK_DIV=1, SYNC_ETH_CFG[n].SEL_RECO_CLK_SRC=(DEV-24), and SYNC_ETH_SD10G_CFG[DEV-49].SD10G_RECO_CLK_DIV=2 Synthesized by extending (approximately) every third clock cycle by 1/10 th period.

The frequency of the secondary PLL can be output as recovered clock. The following table shows the configurations.

Table 220 • Recovered Clock Settings for Secondary PLL

PLL	Output Frequency	Register Settings for Output <i>n</i>
#2	125 MHz	SYNC_ETH_CFG[n].RECO_CLK_ENA=1, SYNC_ETH_CFG[n].SEL_RECO_CLK_DIV=0, SYNC_ETH_CFG[n].SEL_RECO_CLK_SRC=37, SYNC_ETH_PLL2_CFG.CLKOUT2_DIV=5, and SYNC_ETH_PLL2_CFG.PLL2_RECO_CLK_DIV=1
#2	31.25 MHz	SYNC_ETH_CFG[n].RECO_CLK_ENA=1, SYNC_ETH_CFG[n].SEL_RECO_CLK_DIV=2, SYNC_ETH_CFG[n].SEL_RECO_CLK_SRC=37, SYNC_ETH_PLL2_CFG.CLKOUT2_DIV=5, and SYNC_ETH_PLL2_CFG.PLL2_RECO_CLK_DIV=1

The recovered clock from PLL 2 can be sent directly out on the differential high-speed CLKOUT2 outputs. The recovered clock frequency is controlled by SYNC_ETH_PLL2_CFG.CLKOUT2_DIV (SYNC_ETH_PLL2_CFG.PLL2_RECO_CLK_DIV does not apply to CLKOUT2). To enable CLKOUT2, set HSIO:PLL_CFG[1]:PLL5G_CFG3.CLKOUT2_SEL = 3.

It is possible to automatically squelch the clock output when the devices detect a loss of signal on an incoming data stream. This can be used for failover in external timing recovery solutions.

The following table lists how to configure squelch for possible recovered clock sources (configured in SYNC_ETH_CFG[n].SEL_RECO_CLK_SRC).

Table 221 • Squelch Configuration for Sources

SRC	Associated Squelch Configuration
0–8	Set SERDES1G_COMMON_CFG.SE_AUTO_SQUELCH_ENA in SD macro to enable squelch when receive signal is lost. SD1G macro index is the same as SRC.
9–24	Set SERDES6G_COMMON_CFG.SE_AUTO_SQUELCH_ENA in SD macro to enable squelch when receive signal is lost. SD6G macro-index is (SRC-9).
25–28	Set SYNC_ETH_SD10G_CFG[(SRC-25)].SD10G_AUTO_SQUELCH_ENA to enable squelch when receive signal is lost.
29–36	Set SERDES6G_COMMON_CFG.SE_AUTO_SQUELCH_ENA in SD macro to enable squelch when receive signal is lost. SD6G macro-index is (SRC-13).
37	Set SYNC_ETH_PLL2_CFG.PLL2_AUTO_SQUELCH_ENA to enable squelch when PLL 2 loses lock.

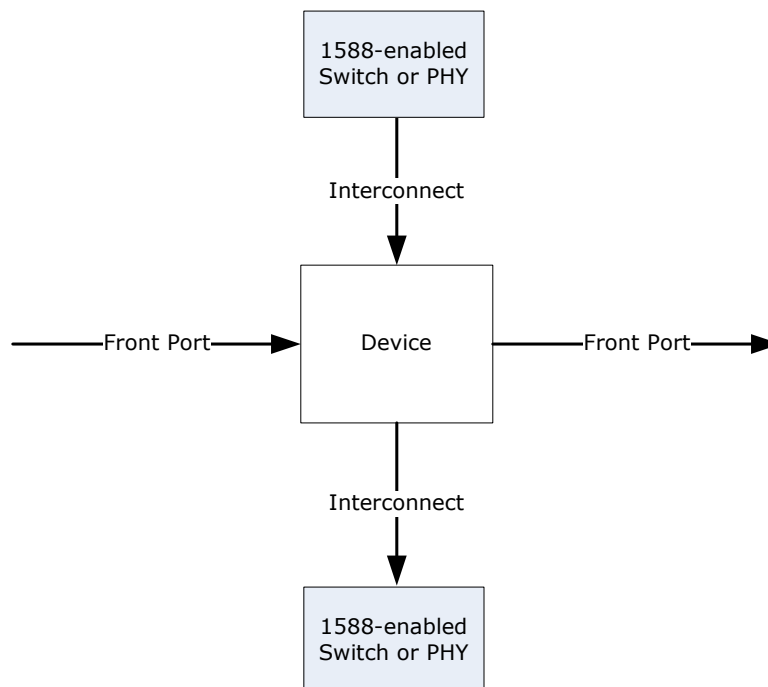
When squelching the clock it will stop when detecting loss of signal (or PLL lock). The clock will stop on either on high or low level.

3.27 Hardware Time Stamping

Hardware time stamping provides nanosecond-accurate frame arrival and departure time stamps, which are used to obtain high precision timing synchronization and timing distribution, as well as significantly better accuracy in performance monitoring measurements than what is obtained from pure software implementations.

The hardware time stamping functions operate both on standalone devices and in systems where multiple devices are interconnected to form a multichip system.

Figure 75 • Supported Time Stamping Flows



Hardware time stamping can update PTP frames coming from a standard front port without any 1588 support or from a partner device that does parts of the timing update. Each port is configured according to the partner device attached.

The modes defined in the following table comply with commonly used methods of transferring timing information in a multichip system, but are as such not specified in the IEEE 1588 standard.

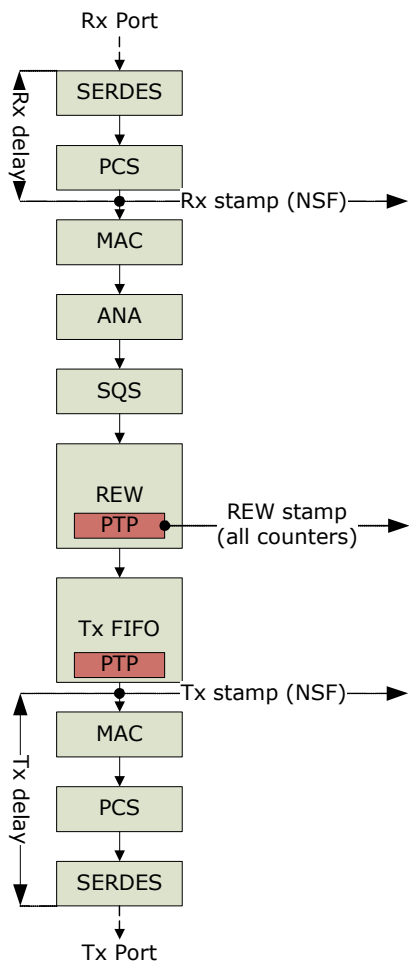
The time of day counters are generated in the DEVCPU block where there are various means of accurately updating the time. For more information, see [Time of Day Generation](#), page 285. The output from the DEVCPU block is a set of timing parameters listed in the following table.

Table 222 • Timing Parameters

Parameter	Description
NSF (32 bit)	Counts number of nanoseconds since PTP was enabled in the device. Wraps at 2^{32} .
TOD_nsec (30 bit)	Counts the number of nanoseconds of current time of day. Wraps at 10^9 , and will potentially be in synch with the partner devices.
TOD_secs (48 bit)	Counts number of seconds of current time of day. Wraps at 2^{48} .
NSX48	Counts number of nanoseconds. NSX48 always take the value of $TOD_nsec + TOD_sec * 10^9$. The parameter is to be used for time stamping transfer to partner devices.
NSX32/NSX44	The lower 32 or 44 bits of NSX48.

The PTP frame flow through the device is shown in the following illustration.

Figure 76 • Frame Flow



The time stamps generated by the ports are samples of the NSF value. The ingress time is the time at which the PCS sees the start of frame, synchronized to the system clock domain. The correct 1588 ingress time is the time at which the first bit of the DMAC is received on the SERDES interface so a pre-configured delay is used to adjust for this in the time stamp calculations. The subtraction of the delay is done by the port modules. Delays due to barrel shifting are adjusted by a manual process, where the barrel shifter state must be read out and used when configuring the port's I/O delays. For more information, see [Configuring I/O Delays](#), page 289.

Similarly, in the egress direction, a delay is added to the time stamps in order to move the time stamping point to when the first bit of the DMAC leaves the SerDes. This added delay takes place in the port modules.

The analyzer recognizes the PTP frames through VCAP IS2 matching and decides which operation to perform (one-step, two-step, or time-of-day-write) and which delays to add to the correction field (CF) to adjust for instance for asymmetrical path delays.

The rewriter modifies the PTP frame and can instruct the egress port module to add a delay to the correction field corresponding to the delay from the rewriting point to the transmission point. Otherwise, it can insert the original time stamp and the egress time stamp in a time stamp FIFO, which can be read by the CPU. The rewriter operation depends on the analyzer decisions and the PTP modes of the frame's ingress and egress ports.

The following table lists the PTP configuration available to the rewriter.

Table 223 • Rewriter PTP Configuration

Field	Description
MR	Mode of ingress port.
MT	Mode of egress port.
IDLY(2)	Two ingress delays optionally added to CF. Looked up for the ingress port. Format is 32 bits signed.
EDLY	One egress delay optionally added to CF. Looked up for the egress port. Only one delay is added per transfer. Format is 32 bits signed.
UDP_CSUM_DIS(4/6)	Can disable updating the UDP checksums in IPv4 and IPv6 frames.

3.27.1 One-Step Functions

The mode of a port determines how timing information is exchanged between the port and its link partner. Only the rewriter uses this information for executing the correct calculations and for deciding the right delta command to be executed in the egress port module. When the analyzer has decided to do a one-step timing update of a frame, the rewriter updates the correction field to the time at which it passes through the rewriter, and it will afterwards either prepare the PDU with timing information for the link partner, or it will ask the port module to add the time delay to the serial transmission onto the correction field. The following sections describe the PTP port modes used by the rewriter when doing one-step updates.

3.27.1.1 Front

Front ports are ports on the boundary of the local PTP system. Frames received must have their timing information updated to the time at which they left the link partner, and frames transmitted will likewise be updated to the time of transmission.

3.27.1.2 RSRV32

In a multichip system, the RSRV32 mode can be used for interconnect links. The ingress unit must update the CF field with the residence time from ingress link to any point in the ingress unit, and in the RSRV field of the PDU set the value of NSX32 at the time of CF update. As the egress unit in a multichip system has synchronized NSX32 (common clock by some means), it will be able to update the CF field with time passed from the ingress rewriter to the time of system departure.

3.27.1.3 RSRV30

Similar to the mode RSRV32, but the reference point is moved to the time of departure from the egress unit. The time value to use in the reserved bytes field only is the TOD_nsec value instead of NSX32.

3.27.1.4 ADDS48

The interconnect link in this mode carries frames where the ingress time in NSX48 format is subtracted from the CF field. Likewise, the egress unit will add the NSX48 at time of departure. This is accomplished by the following steps.

- Ingress rewriter: CF is added time from ingress port to rewriter (NSF delta)
- Ingress rewriter: CF is subtracted NSX value when doing the rewrite
- Egress rewriter: CF is added NSX value when doing the rewrite
- Egress port: CF is added time from rewriter to departure (NSF delta)

3.27.1.5 ADDS44

This mode operates as the ADDS48, only NSX44 is used instead. In this mode the egress unit must be able to see that the NSX44 has wrapped since the ingress unit did the subtraction, ie. if the NSX44 at ingress was 0xFFFF.FFFF.FFFF, and at egress is 0x000.0000.0132, a larger value was subtracted than added. This is handled by the ingress unit setting CF(46) to the NSX48(44) value, and the egress unit checking the same to see if NSX48(44) has changed. In that case 2^{44} is added to CF.

3.27.1.6 MONITOR

This mode is used for an egress port where we want the frame to be updated to the time of reception only. This is used for CPU ports, where software must be able to compare the frame time with the local time stamp, in order to detect drift. It can also be used for mirroring ports where it is desired to see what time was carried on frames received from an interconnect. When a frame is transmitted on a MONITOR port, the frame will be calculated up to the ingress time stamping point. The frame will be added selected delay (IDLY/EDLY), but will not take any chip internal residence time in as a contributor to the CF.

3.27.1.7 DISABLED

A disabled PTP port is not updating PTP frames at all. This mode only applies to the destination port. If the ingress PTP mode is set to disabled, it is treated as being a FRONT port.

3.27.2 Calculation Overview

The modes of ingress and egress ports determine which PTP calculations to do. The calculations are split in an ingress half updating the frame to the time at which it passes the central rewriter and an egress half, where residence time from the rewriter is prepared and finalized in the egress port module or on the other side of the link (backplane).

In all cases the selected delay is added to CF (IDLY/EDLY).

If the ingress port mode is misconfigured as being DISABLED or MONITOR, it will be handled as a FRONT port.

The port module is through an internal preamble instructed to either do a delta update of the correction field only (CF), or to do a delta update of both the correction field and the reserved bytes field (CF_RSRV). In both cases the rewriter NSF value is sent along as a reference for the delta delay calculation in the port.

Table 224 • Rewriter Operations for One-Step Operation

Mode	Receiving From	Transmitting To
FRONT	CF += (NSF – IFH.STAMP)	Preamble = (CF, NSF)
RSRV30	CF += (NSEC – PDU.RSRV)	PDU.RSRV = NSEC Preamble = (CF_RSRV, NSF)
RSRV32	CF += (NSX32 – PDU.RSRV)	PDU.RSRV = NSX32
ADDS44	CF += (NSX44@rew) CF += (CF_org(46)/=NSX48(44))? 2^{44} :0 CF(46) = CF(47)	CF -= NSX44 CF(46) = NSX48(44)
ADDS48	CF += NSX48	CF -= NSX48
MONITOR		CF -= (NSF – IFH.TSTAMP)
DISABLED		NOP

3.27.3 Detecting Calculation Issues

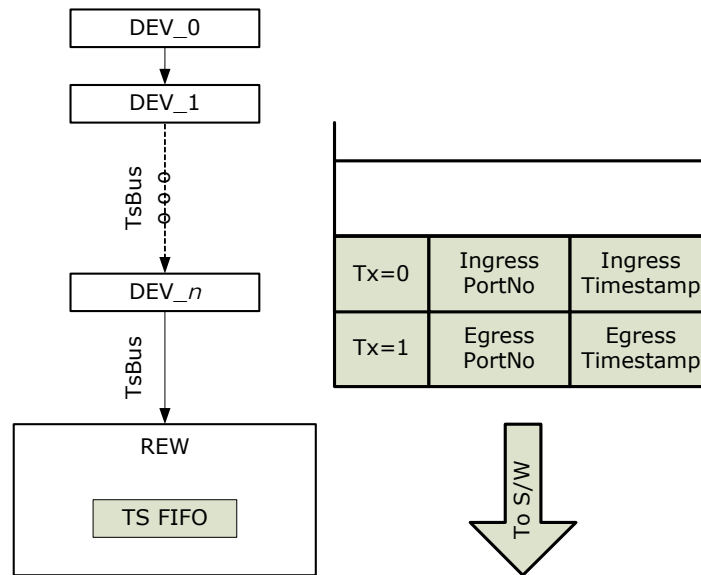
A sticky bit per port informs if frames are received with the reserved bytes field non-zero. This can be used to detect if incoming frames contain unexpected information in the reserved bytes field.

If the correction field is outside the valid range -2^{47} to $2^{47}-1$, another sticky bit is set in the port module indicating the overflow. The port module replaces in this case the final CF with the overflow indication value $2^{47}-1$. This detection is however disabled when using ADDS48 mode because the correction field in this mode rolls over regularly.

3.27.4 Two-Step Functions

The two-step PTP mode uses software as a middle stage for informing next hubs about residence times. A FIFO of time stamping events is available for software where ingress and egress time stamps as well as port numbers can be read out. The FIFO can contain 1,024 time stamp entries.

Figure 77 • Time Stamp Bus and FIFO



The bus passes through all port modules and terminates in a timestamp FIFO in the rewriter. If the analyzer has decided to do a two-step operation, the rewriter pushes two entries into the FIFO. The first entry contains the egress time stamp and the egress port number; the second entry contains the ingress time stamp and the ingress port number. In addition, a flag indicates whether the entry contains ingress or egress information.

When correlating frames copied to the CPU with entries in the FIFO, the ingress time stamp found in the IFH is the same as ingress time stamp found in the FIFO.

Note that the IDLY and EDLY values are not added to the CF field in the two-step case, as the frames are transferred untouched. Software must manually add these delays for the follow-up frames.

3.27.5 Time of Day Time Stamping

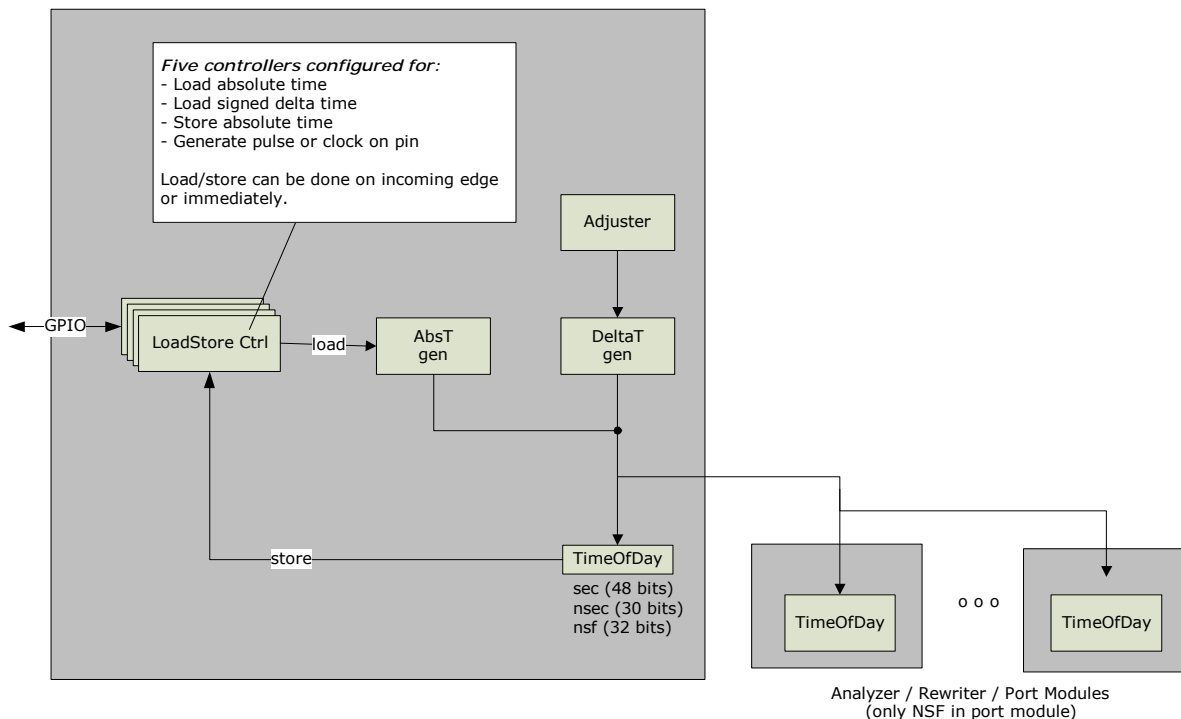
When sending out SYNC frames with full TOD, the rewriter does the TOD time stamping at the time where the frame passes through the rewriter and the port module is instructed to do a one-step update in addition. The transmitted SYNC therefore has `ORG_TIME='close to departure time'`, and `CF='minor correction to that'`.

```
REW: PDU.ORGTIME := (TOD_sec, TOD_nsec)
REW: Preamble := (CF, NSF)
DEV: CF += NSF@mac_Tx-ofs
```

3.27.6 Time of Day Generation

The DEVCPU has connection to four GPIOs to be used for 1588 synchronization shown in the following illustration.

Figure 78 • Timing Distribution



Each block using timing has a TimeOfDay instance included. These modules let time pass according to an incoming delta request, instructing it to add the nominal clock period in nanoseconds (+0/+1/-1) for each system clock cycle. This is controlled by a deltaT function in the DEVCPU, which can be configured to do regular adjustments to the time by adding a single nanosecond more or less at specified intervals. The absT function in the DEVCPU can set the full TOD time in the system. This is controlled by the LoadStore controllers.

The DEVCPU includes five LoadStore controllers. All but the last one use a designated GPIO pin on the GPIO interface. LoadStore controller 0 uses PTP_0 pin; LoadStore controller 1 uses PTP_1 pin, and so forth. Before using the LoadStore controller, the VCore-III CPU must enable the overlaid functions for the appropriate GPIO pins. For more information, see [GPIO Overlaid Functions](#), page 354.

Each controller has CPU accessible registers with the full time of day set, and can be configured to load these into the TimeOfDay instances, or to store the current values from them. The operation can be done on a detected edge on the associated pin or immediately. The GPIO pin can also generate a clock with configurable high and low periods set in nanoseconds using the TimeOfDay watches or it can generate a pulse at a configured time with a configurable duration and polarity.

Table 225 • LoadStore Controller

Pin Control Field	Function
Action	Load: Load TOD_SEC and TOD_NSEC through the absTime bus Delta: Add configured nsec to the current time of day (absT). Store: Store the current TOD_SEC,TOD_NSEC,TOD_NSF. Clock: Generate a clock or a pulse on the pin.
Sync	Execute the load/store on incoming edge, if action is LOAD or STORE. Generate a pulse instead of clock if action is CLOCK.
Inverse polarity	Falling edges are detected/generated.
TOD_sec	The 48-bit seconds of a time of day set to be loaded or stored.
TOD_nsec	The 30-bit nanoseconds of a time of day set to be loaded or stored.

Table 225 • LoadStore Controller (continued)

Pin Control Field	Function
TOD_NSF	The 32-bit free running timer to be stored (no load of that one)
Waveform high	Number of nanoseconds in the high period for generated clocks. Duration of pulse for generated pulse.
Waveform_low	Number of nanoseconds in the low period for generated clocks. Delay from TOD_ns = 0 for generated pulse.

In addition, the load operation can load a delta to the current time. This is done by executing a LOAD action but using the DELTA command (see register list).

Each operation generates an interrupt when executed. For the clock action, the interrupt is generated when the output switches to the active level. The interrupts from each controller can be masked and monitored by the interrupt controller in the ICPU_CFG register target.

The five controllers are completely equal in their capabilities. For concatenated distributed TC applications, two of the controllers are set up in STORE/sync mode, where incoming edges on the pin make the Time of day be stored in the controller registers.

3.27.7 Multiple PTP Time Domains

For communicating with link partners running in another TOD domain, the devices include three PTP time domains. Each port belongs to one domain only, and by default, all ports belong to time domain 0. Other time domains are accessed by configuring the time domain in the port modules, the analyzer, the rewriter, and the Loadstore controllers.

3.27.8 Register Interface to 1588 Functions

The following table lists the blocks and register configurations associated with IEEE 1588 functionality.

Table 226 • IEEE 1588 Configuration Registers Overview

Block	Configurations
Analyzer	PTP actions in VCAP IS2.
Rewriter	Path and asymmetry delays Enabling use of preamble Setting PTP port mode/options Accessing time stamp FIFO
Port modules	Enable rewriting. Read barrel shifter states for accuracy. I/O delays. Per port SMAC for address replacing.
CPU device	Controlling TOD generation.

3.27.8.1 VCAP IS2 Actions

In the analyzer, the VCAP IS2 actions are related to PTP operation. The REW_CMD action field determines the PTP actions in the rewriter.

Table 227 • PTP Actions in Rewriter

Action Bits	Description
1-0: PTP command	0: No operation. 1: One-step. 2: Two-step. 3: Time of day.

Table 227 • PTP Actions in Rewriter (continued)

Action Bits	Description
3–2: Delay command	0: Do not add any delays. 1: Add PTP_EDLY(Tx port). 2: Add PTP_IDLY1(Rx port). 3: Add PTP_IDLY2(Rx port).
5–4: Sequence number and time stamp command	0: No operation. 1: Sequence update. The rewriter contains a table of 256 sequence numbers which can be selected by the lower bits of the time stamp field from the IFH. If this command bit is set, the selected sequence number is put into the PDU, and the sequence will be incremented by one. Feature only makes sense when frame is injected by the CPU, in which case the IFH can be fully controlled by injecting with IFH. 2-3: Delay_Req/Delay_Resp processing. These modes are handled in the analyzer. This is used for automatic response generation without involving software. If bits 1-0 are set to one-step, the rewriter is requested to update the CF field to the time of reception.
6: SMAC to DMAC	If set, copy the SMAC into the DMAC of the frame.
7: Configuration to SMAC	If set, set the SMAC to the PTP SMAC configured per egress port.

3.27.8.2 Rewriter Registers

The following table lists registers associated with time stamping.

Table 228 • Rewriter Registers

Register	Description
PTP_MODE_CFG	Assign time domain and PTP port mode for each port.
PTP_EDLY_CFG PTP_IDLY1_CFG PTP_IDLY2_CFG	Configure ingress and egress optional delays to use per port.
PTP_SMAC_LSB PTP_SMAC_MSB	Configure the optional SMAC to replace in the PDUs.
PTP_MISC_CFG	Disable UDP checksum updating per port.
PTP_TWOSTEP_CTRL	Get next time stamp from FIFO.
PTP_TWOSTEP_STAMP	Next time stamp value.
PTP_CPUVD_MODE_CFG	Set mode and time domain for CPU and virtual device ports.
PTP_RSRV_NOT_ZERO	Sticky bit for incoming non-zero reserved bytes field.
PTP_SEQ_NO	Set or get sequence number for 256 flows.

3.27.8.3 Port Module Registers

The following table lists the port module registers associated with time stamping.

Table 229 • Port Module Registers

Register	Description
PTP_CFG	Set I/O delays for port, enable PTP, and set port's time domain.
PTP_EVENTS	Sticky bit for correction field overflow.

3.27.9 Configuring I/O Delays

After a valid link is established and detected by the involved PCS logic, the I/O delays from the internal time stamping points to the serial line must be configured. The delays are both mode-specific and interface-specific, depending on the core clock frequency.

Ingress barrel shifter states that in SERDES1G mode, the Rx delays must be added 0.8 ns times the value of PCS1G_LINK_STATUS.DELAY_VAR to adjust for barrel shifting state after link establishment. In SERDES2.5G, the multiplier is 0.32 ns. In SERDES100M, the Rx delays must be subtracted 0.8 ns times the value of PCS_FX100_STATUS.EDGE_POS_PTP to adjust for detected data phase.

The following tables provides the Rx and Tx delay times on the ports.

Table 230 • I/O Delays at 250 MHz

Port Number	SERDES 100M Rx/Tx	SERDES1G Rx/Tx	SERDES2.5G Rx/Tx	SERDES10G Rx/Tx
0–7, 48	84.0/72.3	63.0/32.3		
8–15	94.0/81.6	71.1/41.7	31.9/12.2	
16–23	94.0/97.6	71.1/57.7	31.9/18.8	
24–31	110.0/97.6	87.1/57.7	38.1/18.8	
49–52	134.5/105.3	115.7/64.9	49.7/22.0	122.9/151.0

Table 231 • I/O Delays at 278 MHz

Port Number	SERDES 100M Rx/Tx	SERDES1G Rx/Tx	SERDES2.5G Rx/Tx	SERDES10G Rx/Tx
0–7, 48	84.2/72.9	61.9/34.2		
8–15	93.7/81.5	70.2/42.1	30.8/13.4	
16–23	93.7/97.5	70.2/58.1	30.8/19.7	
24–31	109.7/97.5	86.8/58.1	37.3/19.7	
49–52	133.0/105.7	115.4/65.1	37.3/19.7	122.6/151.8

3.28 VRAP Engine

The Versatile Register Access Protocol (VRAP) engine allows external equipment to access registers in the devices through any of the Ethernet ports on the devices. The VRAP engine interprets incoming VRAP requests, and executes read, write, and read-modify-write commands contained in the frames. The results of the register accesses are reported back to the transmitter through automatically generated VRAP response frames.

The devices support version 1 of VRAP. All VRAP frames, both requests and responses, are standard Ethernet frames. All VRAP protocol fields are big-endian formatted.

The registers listed in the following table control the VRAP engine.

Table 232 • VRAP Registers

Register	Description	Replication
ANA_CL:PORT:CAPTURE_CFG. CPU_VRAP_REDIR_ENA	Enable redirection of VRAP frames to CPU.	Per port
ANA_CL::CPU_PROTO_QU_CFG. CPU_VRAP_QU	Configure the CPU extraction queue for VRAP frames.	None

Table 232 • VRAP Registers (continued)

Register	Description	Replication
QFWD:SYSTEM:FRAME_COPY_CFG.FRMC_PORT_VAL	Map VRAP CPU extraction queue to a CPU port. One CPU port must be reserved for VRAP frames.	Per CPU extraction queue
DEVCPU_QS:XTR:XTR_GRP_CFG.MODE	Enable VRAP mode for reserved CPU port.	Per CPU port
DEVCPU_QS:INJ:INJ_GRP_CFG.MODE	Enable VRAP mode injection for reserved CPU port.	Per CPU port
ASM:CFG:PORT_CFG.INJ_FORMAT_CFG	The IFH without prefix must be present for VRAP response frames.	Per port
ASM:CFG:PORT_CFG.NO_PREAMBLE_ENA	Expect no preamble in front of IFH and frame.	Per port
DEVCPU_GCB::VRAP_ACCESS_STAT	VRAP access status.	None

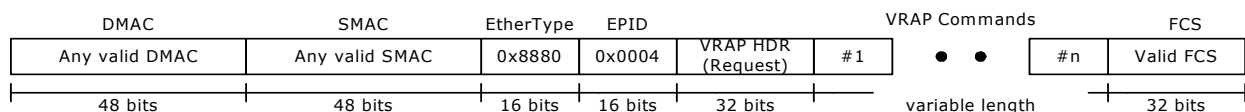
The VRAP engine processes incoming VRAP frames that are redirected to the VRAP CPU extraction queue by the basic classifier. For more information about the VRAP filter in the classifier, see [CPU Forwarding Determination](#), page 110.

The VRAP engine is enabled by allocating one of the two CPU ports as a dedicated VRAP CPU port (DEVCPU_QS:XTR:XTR_GRP_CFG.MODE and DEVCPU_QS:INJ:INJ_GRP_CFG.MODE). The VRAP CPU extraction queue (ANA_CL::CPU_PROTO_QU_CFG.CPU_VRAP_QU) must be mapped as the only CPU extraction queue to the VRAP CPU port (QFWD:SYSTEM:FRAME_COPY_CFG.FRMC_PORT_VAL). In addition, the VRAP CPU port must enable the use of IFH without prefix and without preamble (ASM::PORT_CFG)

The complete VRAP functionality can be enabled automatically at chip startup by using special chip boot modes. For more information, see [VCore-III Configurations](#), page 306.

3.28.1 VRAP Request Frame Format

The following illustration shows the format of a VRAP request frame.

Figure 79 • VRAP Request Frame Format

VRAP request frames can optionally be VLAN tagged with one VLAN tag.

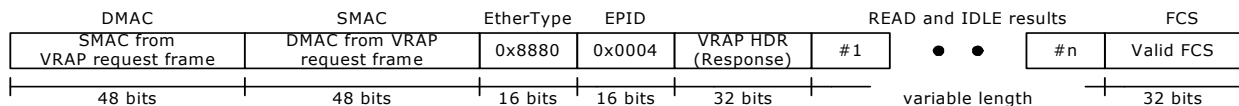
The EtherType = 0x8880 and the Ethernet Protocol Identifier (EPID) = 0x0004 identify the VRAP frames. The subsequent VRAP header is used in both request and response frames.

The VRAP commands included in the request frame are the actual register access commands. The VRAP engine supports the following five VRAP commands:

- READ: Returns the 32-bit contents of any register in the device.
- WRITE: Writes a 32-bit value to any register in the device.
- READ-MODIFY-WRITE: Does read/modify/write of any 32-bit register in the device.
- IDLE: Does not access registers; however, it is useful for padding and identification purposes.
- PAUSE: Does not access registers, but causes the VRAP engine to pause between register access.

Each of the VRAP commands are described in the following sections. Each VRAP request frame can contain multiple VRAP commands. Commands are processed sequentially starting with VRAP command 1, 2, and so on. There are no restrictions on the order or number of commands in the frame.

3.28.2 VRAP Response Frame Format



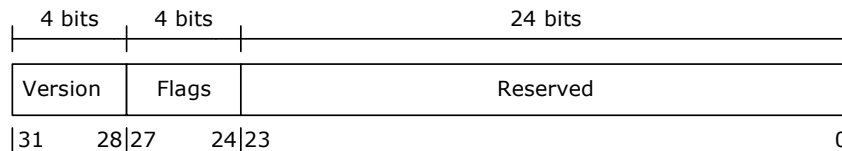
The VRAP response frame follows the VRAP request frame in terms of VLAN tagging: If the VRAP request was tagged, the VRAP response is also tagged using the same VLAN.

Only the READ and IDLE commands require data to be returned to the transmitter of the VRAP request frame. However, even if the VRAP request frame does not contain READ and IDLE commands, a VRAP response frame is generated with enough padding data (zeros) to fulfill the minimum transfer unit size.

3.28.3 VRAP Header Format

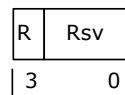
Both VRAP request and VRAP response frames contain a 32-bit VRAP header. The VRAP header is used to identify the protocol version and to differentiate between VRAP requests and VRAP response frames. VSC7442-02, VSC7444-02, and VSC7448-02 support VRAP version 1. A valid VRAP request frame must use Version = 1 and Flags.R = 1. Frames with an invalid VRAP header are discarded and not processed by the VRAP engine. The following illustration shows the VRAP header.

Figure 80 • VRAP Header Format



Version:
Set to 0x1 in VRAP response frames.
VRAP request frames are ignored if Version <> 1

Flags:
4 bits are used for Flags. Only one flag is defined:



R: 0=Request, 1=Response
Rsv: Set to 0 in VRAP response frames and ignored in VRAP request frames.

Reserved:
Set to 0 in VRAP response frames and ignored in VRAP request frames.

3.28.4 VRAP READ Command

The VRAP READ command returns the contents of any 32-bit register inside the device. The 32-bit read-data result is put into the VRAP response frame.

The READ command is 4 bytes wide and consists of one 32-bit address field, which is 32-bit aligned. The 2 least significant bits of the address set to 01. The following illustration shows the request command and the associated response result.

Figure 81 • READ Command

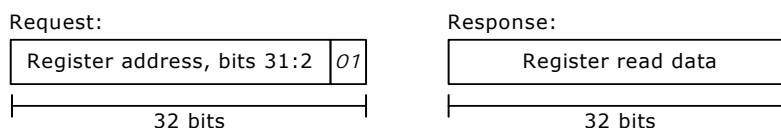
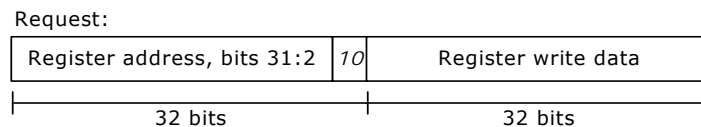
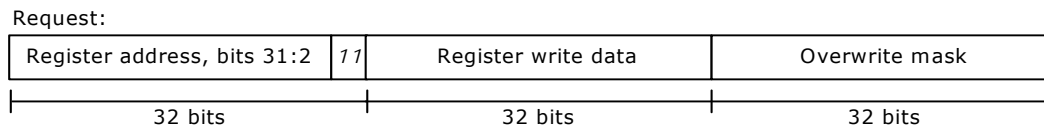


Figure 82 • WRITE Command

3.28.5 VRAP READ-MODIFY-WRITE Command

The READ-MODIFY-WRITE command does read/modify/write-back on any 32-bit register inside the device.

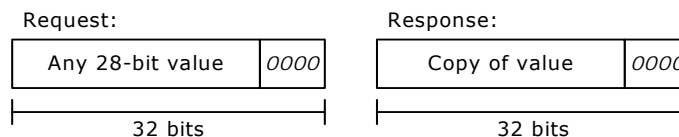
The READ-MODIFY-WRITE command is 12 bytes wide and consists of one 32-bit address field, which is 32-bit aligned. The two least significant bits of the address set to 11 followed by one 32-bit write-data field followed by one 32-bit overwrite-mask field. For bits set in the overwrite mask, the corresponding bits in the write data field are written to the register while bits cleared in the overwrite mask are untouched when writing to the register. The following illustration shows the command.

Figure 83 • READ-MODIFY-WRITE Command

3.28.6 VRAP IDLE Command

The IDLE command does not access registers in the device. Instead it just copies itself (the entire command) into the VRAP response. This can be used for padding to fulfill the minimum transmission unit size, or an external CPU can use it to insert a unique code into each VRAP request frame so that it can separate different replies from each other.

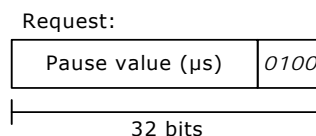
The IDLE command is 4 bytes wide and consists of one 32-bit code word with the four least significant bits of the code word set to 0000. The following illustration depicts the request command and the associated response.

Figure 84 • IDLE Command

3.28.7 VRAP PAUSE Command

The PAUSE command does not access registers in the device. Instead it causes the VRAP engine to enter a wait state and remain there until the pause time has expired. This can be used to ensure sufficient delay between VRAP commands when this is needed.

The PAUSE command is 4 bytes wide and consists of one 32-bit code word with the four least significant bits of the code word set to 0100. The wait time is controlled by the 28 most significant bits of the wait command. The time unit is 1 μ s. The following illustration depicts the PAUSE command.

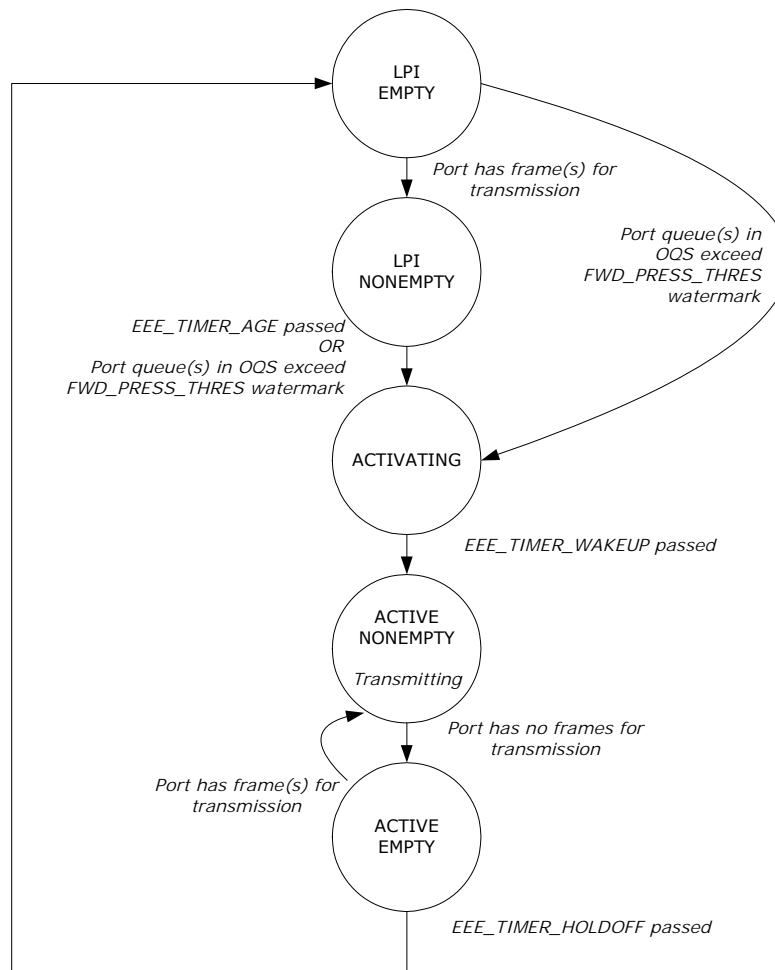
Figure 85 • PAUSE Command

3.29 Energy Efficient Ethernet

The Ethernet ports support Energy Efficient Ethernet (EEE) to reduce power consumption when there is little or no traffic on a port.

The state diagram in the following illustration shows the EEE LPI algorithm implemented in the devices.

Figure 86 • EEE State Diagram



- **LPI_EMPTY**: Low power mode. Port has no frames for transmission.
- **LPI_NONEMPTY**: Low power mode. Port has frames for transmission, but the number of frames is very limited (below `EEE_URGENT_THRES` in OQS) or `EEE_TIMER_AGE` has not passed yet.
- **ACTIVATING**: Port is being activated prior to restarting frame transmission. The timer `EEE_TIMER_WAKEUP` controls the length of the activation time.
- **ACTIVE_NONEMPTY**: Port is active and transmitting. This is the normal state for ports without EEE enabled.
- **ACTIVE_EMPTY**: Port is active, but currently has no frames for transmission. If frames for transmission do not become available within `EEE_TIMER_HOLDOFF`, then the port enters low power mode (in state `LPI_EMPTY`).

The state transition timing values are configured in the `EEE_CFG` register per port module, and the levels at which the queue system asserts forward pressure are configured in the `QSYS::EEE_CFG` and `QSYS::EEE_THRES` registers.

As illustrated, the “port has frames for transmission” condition is true if there are frames for transmission and the scheduling algorithm allows transmission of any of the available frames. So it is possible that a port enters `LPI_EMPTY` or stays in `LPI_EMPTY`, even though there are frames in one or more queues.

It is also possible, though not likely, that forward pressure is set for one or more queues when going into LPI_EMPTY. This occurs when the scheduling algorithm has decided to transmit from other queue or queues than those signalling forward pressure and the transmission of these frames causes the port leaky bucket to close.

The “forward pressure signalled for queues” condition does not look at whether the queues with forward pressure are actually allowed to transmit.

For ports that are shaped to a low bandwidth, the forward pressure watermark in OQS should be set a low value, such that it is mainly the port shaping that controls when to exit LPI.

3.30 CPU Injection and Extraction

This section provides an overview of how the CPU injects and extracts frames to and from the switch core.

The switch core forwards CPU extracted frames to eight CPU extraction queues that per queue are mapped to one of the two CPU ports (by means of QFWD:SYSTEM:FRAME_COPY_CFG[0:7]) that the CPU can access. For each CPU extraction queue, it is possible to specify the egress priority (QFWD:SYSTEM:FRAME_COPY_CFG.FRMC_QOS_ENA). For each CPU port, there is strict priority selection between the egress queues.

For injection, there are two CPU injection groups that can simultaneously forward frames into the analyzer. The CPU can access the injection and extraction groups through either a Frame DMA or direct register access.

For more information about injecting and extracting CPU traffic through front ports used as NPI port, see [Internal Frame Header Placement](#), page 15; [Setting Up a Port for Frame Injection](#), page 53; and [Forwarding to GCPU](#), page 266.

3.30.1 Frame Injection

The traffic at any injection pipeline point from CPU, NPI, and AFI using the IFH (IFH.MISC.PIPELINE_ACT= INJ_MASQ and IFH.MISC.PIPELINE_PT: = <value>).

When a frame is injected at a given pipeline point, it is logically not processed in the flow before reaching the injection point. For example, a frame injected at the ANA_CLM pipeline point bypasses VRAP detection, port Down-MEP handling, and basic classification, which requires the frame to be injected with an IFH configured with all the fields normally set by Basic classification. It also means that the frame is not accounted for in port Down-MEP loss measurement counters.

Injecting a frame at the ANA_DONE pipeline point causes it to bypass the complete analyzer and destination port must be specified in IFH (IFH.MISC.DPORT = <egress port>).

Frames can be injected as either unicast or as multicast:

- Unicast injection that allows injection into a single egress port (configured in IFH.MISC.DPORT) with all IFH.DST.ENCAP operators available in the Rewriter such as OAM and PTP detection and hardware handling (if IFH.FWD.DST_MODE is set to ENCAP).

Multicast injection that allows injection to multiple egress ports (IFH.FWD.DST_MODE = INJECT and IFH.DST.INJECT.PORT_MASK). Because IFH.DST is used for specifying the destination set, it is not possible to use IFH.DST.ENCAP for this type of injection and all IFH.DST.ENCAP fields will default to 0. This mode bypasses the analyzer, meaning that all IFH fields used by rewriter must be given a proper value by software.

3.30.1.1 Masqueraded Injection

The devices support masqueraded injection of frames from CPU where processing of the frame is done as if the frame was received on the masqueraded port (IFH.MISC.PIPELINE_ACT=INJ_MASQ and IFH.FWD.SRC_PORT=<masqueraded port>). A masquerade-injected frame sees the same source filter, classification, and learning as the physical port being masqueraded.

3.30.1.2 Injection Pipeline Points

The devices support specifying where in the processing flow a frame is injected by specifying a pipeline point for the frame (IFH.MISC.PIPELINE_PT). The frame will then only be processed after the specified injection point.

3.30.2 Frame Extraction

The CPU receives frames through eight CPU extraction queues. These extraction queues can be mapped to one of the two CPU ports or any of the front ports (QFWD:SYSTEM:FRAME_COPY_CFG[0-7]). The CPU extraction queues use memory resources from the shared queue system and are subject to the thresholds and congestion rules programmed for the CPU extraction queues and the shared queue system in general.

A frame can be extracted for multiple reasons. For example, a BPDU with a new source MAC address can be extracted as both a BPDU and a learn frame with two different CPU extraction queues selected. By default, the highest CPU extraction queue number receives a copy of the frame, but it is also possible to generate multiple frame copies to all the selected CPU extraction queues (ANA_AC::CPU_CFG.ONE_CPU_COPY_ONLY_MASK).

The CPU can read frames from the CPU port in two ways:

- Reading registers in the CPU system. For more information, see [Manual Extraction](#), page 332.
- Using the Frame DMA in the CPU system. For more information, see [FDMA Extraction](#), page 331.

CPU extracted frames include an IFH (28-bytes) placed in front of the DMAC. The IFH contains relevant side band information about the frame, such as the frame's classification result (VLAN tag information, DSCP, QoS class) and the reason for sending the frame to the CPU. For more information about the contents of the IFH, [Frame Headers](#), page 14.

3.30.3 Forwarding to CPU

Several mechanisms can be used to trigger redirection or copying of frames to the CPU. The following blocks can generate traffic to a CPU queue.

- Analyzer classifier ANA_CL
- Analyzer Layer 3 ANA_L3
- Analyzer Access Control Lists ANA_ACL
- Analyzer Layer 2 ANA_L2
- Analyzer Access Control ANA_AC
- Rewriter

Frames copied or redirected to the CPU from both the rewriter and the Up-MEPs are looped and passed another time through the analyzer.

3.30.4 Automatic Frame Injection (AFI)

The AFI block supports repeated (automated) injection, which requires the injection frame to be sent to the AFI block with a single IFH bit set (IFH.FWD.AFI_INJ) and with an IFH header configured as for normal CPU injection.

After an injection frame is sent to the AFI block, the frame can be added for AFI injection. For more information, see [Adding Injection Frame](#), page 244.

Frames injected from the AFI block are treated as any CPU injection, where IFH fields controls how injection occurs.

Frames from the AFI can either be injected directly into an egress port or they can appear as if they were received on an ingress port (masquerading). Masqueraded frames are subsequently processed by the analyzer like any other frame received on the port.

3.31 Priority-Based Flow Control (PFC)

Priority-based flow control (PFC, IEEE 802.1Qbb) is supported on all ports for all QoS classes. The devices provide independent support for transmission of pause frames and reaction to incoming pause frames, which allows asymmetric flow control configurations.

3.31.1 PFC Pause Frame Generation

The queue system monitors the congestion per ingress and egress queue. If a flow control condition is asserted, the queue system forwards the congestion status to the disassembler. The disassembler stores the congestion status per (port, priority). Based on the congestion status, the disassembler will transmit PFC frames for each port.

3.31.1.1 Queue System

The queue system has a set of dedicated PFC watermarks. If the memory consumption of a queue exceeds a PFC watermark, a flow control condition is asserted, and the updated congestion status is forwarded the disassembler. For information about the configuration of the PFC watermarks, see [Priority-Based Flow Control](#), page 217.

3.31.1.2 Disassembler

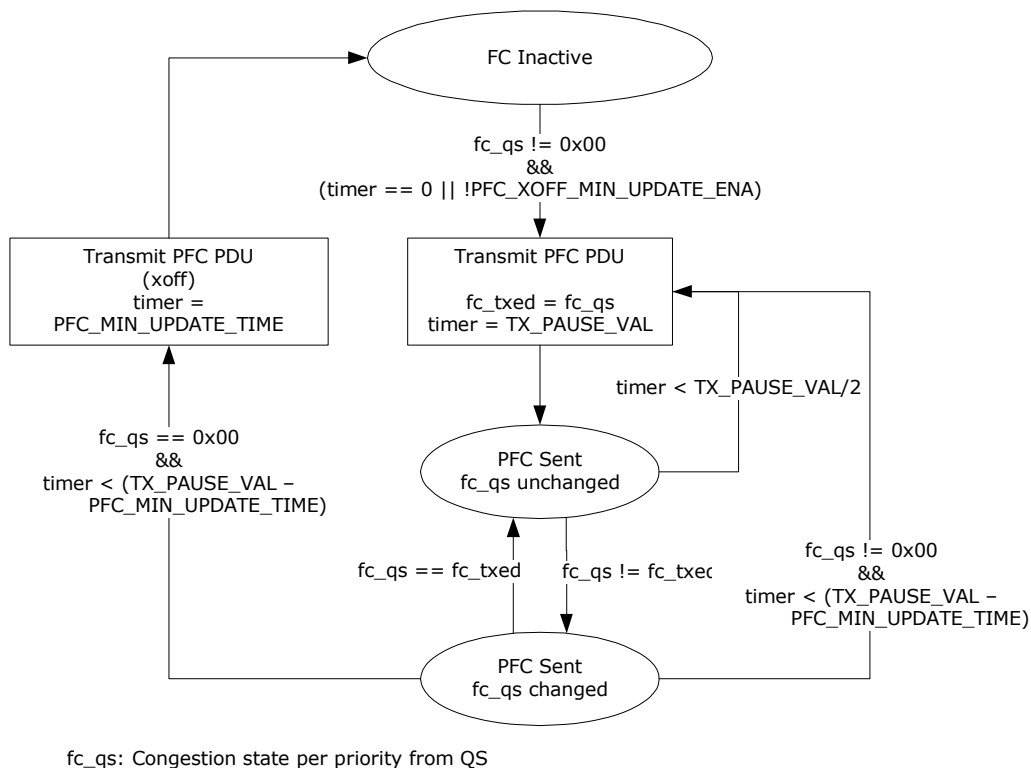
The disassembler (DSM) stores the congestion status per queue (per port, per priority) and generates PFC PDU based on the information. For more information about the available PFC configuration registers, see [PFC Pause Frame Generation](#), page 273.

The following illustration shows the algorithm controlling the generation of PFC frames for each port. The 8-bit congestion state from the queue system is `fc_qs`. `TX_PAUSE_VAL` and `PFC_MIN_UPDATE_TIME` are configurable per port. The `TX_PAUSE_VAL` configuration is shared between LLFC and PFC.

When a priority gets congested, a PFC PDU is generated to flow control this priority. When half of the signaled timer value has expired, and the queue is still congested, a new PFC PDU is generated. If other priorities get congested while the timer is running, then `PFC_MIN_UPDATE_TIME` is used to speed up the generation of the next PFC PDU. The timer is shared between all priorities per port.

Every PFC PDU signals the flow control state for all priorities of the port. In other words, the `priority_enable_vector` of the PFC PDU is always set to `0x00ff`, independent of whether or not a priority is enabled for flow control. For disabled priorities, the pause time value is always set to 0.

Figure 87 • PFC Generation per Port



3.31.1.3 Statistics

The number of transmitted pause frames is counted in the TX_PAUSE_CNT counter and shared with the counter for transmitted link-layer flow control pause frames. Statistics are handled locally in the DEV10G port modules. For other port module types, the assembler handles the statistics.

3.31.2 PFC Frame Reception

Received PFC frames are detected by the assembler. The status is forwarded to the queue system, which will pause the egress traffic according to the timer value specified in the pause frames.

3.31.2.1 Assembler

The assembler identifies PFC PDUs and stores the received pause time values in a set of counters. The counters are decremented according to the link speed of the port. The assembler signals a stop indication to the queue system for all (port, priority) with pause times different from 0.

For information about the PFC configuration of the assembler, see [Setting Up PFC](#), page 54.

3.31.2.2 Queue System

The queue system stores the PFC stop indications received from the assembler per (port, priority). It pauses the transmission for all egress queues with an active PFC stop indication. The queue system does not require any PFC configuration.

3.31.2.3 Statistics

PFC pause frames are recognized as control frames and counted in the RX_UNSUP_OPCODE_CNT counter. Statistics are handled locally in the DEV10G port modules. For other port module types, the assembler handles the statistics.

3.32 Protection Switching

The following types of hardware-assisted protection switching are supported:

- Ethernet ring protection switching
- Port protection switching

Ring protection is also supported over a link aggregation group (LAG).

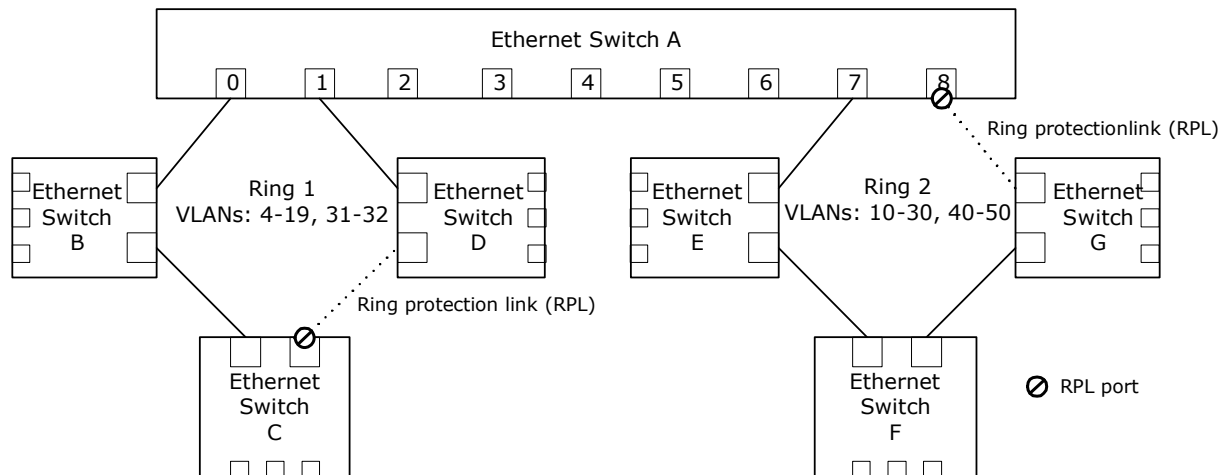
3.32.1 Ethernet Ring Protection Switching

When protection switching occurs in an Ethernet ring (ITU-T G.8032), the following actions must be taken to restore connectivity.

- MAC addresses learned on the ring ports for the involved FIDs must be flushed from the MAC table. This is done using the scan functionality in the LRN block. Using ANA_L2:COMMON:SCAN_FID_CFG.SCAN_FID_VAL MAC, addresses for up to 16 FIDs can be flushed at a time.
- The RPL port must be changed to forwarding state and ports interfacing to the failed link must be changed to blocking state. For rings supporting many VLANs, this can be done efficiently using VLAN TUPE.

The following illustration shows an Ethernet ring protection example. Switch A is part of two rings, ring 1 and ring 2. Ring 1 uses 18 VIDs, VID 4-19 and 31-32, for forwarding traffic. Ring 2 uses 32 VIDs, VID 10-30 and 40-50.

To allow a VLAN TUPE command to identify the VIDs used by each of the two rings, a bit in the TUPE_CTRL field in the VLAN table is allocated for each of the two rings. In this example, ring 1 uses bit 0 in TUPE_CTRL, and ring 2 uses bit 1.

Figure 88 • Ethernet Ring Protection Example

The following table shows the configuration of the VLAN table of switch A. The VLAN_PORT_MASK bit shows only the value for the ring ports. For the other ports (ports 2-6), the VLAN_PORT_MASK bits are assumed to be 0.

Table 233 • VLAN Table Configuration Before APS

Address (VID)	TUPE_CTRL	VLAN_PORT_MASK	VLAN_FID
4-9	0x01	0x0003	4-9
10-19	0x03	0x0083	10-19
31-32	0x01	0x0003	31-32
20-30, 40-50	0x02	0x0080	20-30, 40-50

VID 4-9 and 31-32 are only used by ring 1, so only bit 0 is set in TUPE_CTRL. VLAN_PORT_MASK includes the two ring ports of ring 1, port 0, and port 1.

VID 10-19 are used by both ring 1 and ring 2, so bit 0 and bit 1 are both set in TUPE_CTRL. VLAN_PORT_MASK includes the ring ports of ring 1 as well as port 7, used by ring 2. Port 8 is not included, because it is in blocking state.

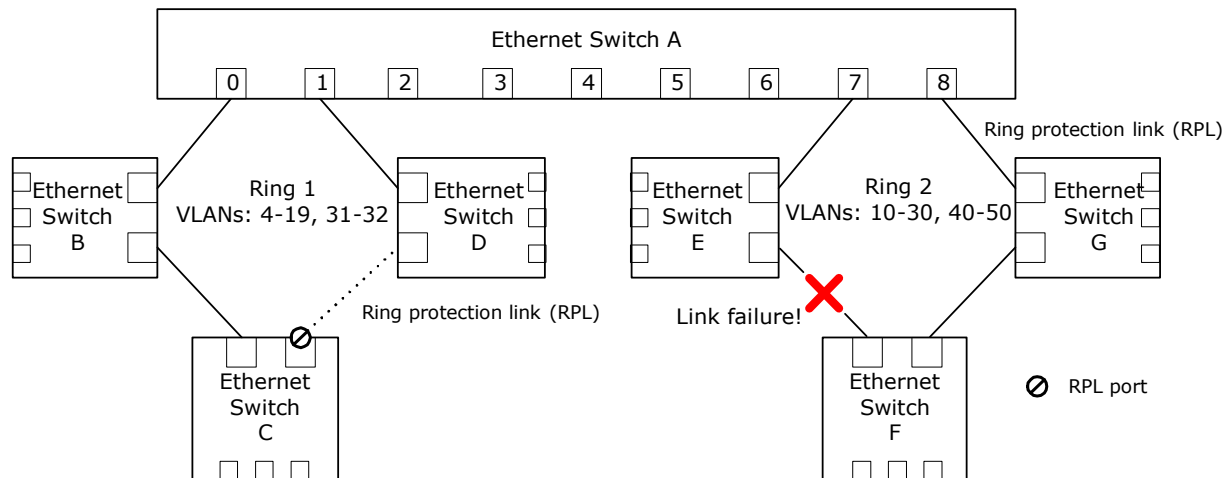
VID 20-30 and 40-50 are only used by ring 2, so only bit 1 is set in TUPE_CTRL. VLAN_PORT_MASK includes port 7.

In this example, independently learning is used for all VLANs; that is, a separate FID is used for each VID.

To also block reception of frames on any blocking ports, ANA_L3:COMMON:VLAN_FILTER_CTRL must be configured to include all ring ports. In this example ports 0,1,7 and 8 must be set in ANA_L3:COMMON:VLAN_FILTER_CTRL.

The following illustration shows the same set up as the previous illustration, but now a link in ring 2 has failed. As a result, the RPL of ring 2 must be activated, meaning port 8 of switch A must be changed to forwarding state.

Figure 89 • Ethernet Ring with Failure



To avoid having to perform write access to the VLAN_PORT_MASKs of each of VID 10-30 and 40-50, VLAN TUPE can be used instead. The following table lists the VLAN TUPE parameters to reconfigure the VLAN table.

Table 234 • VLAN TUPE Command for Ring Protection Switching

Field	Value	Comment
TUPE_CTRL_BIT_MASK	0x0002	Bits 0 and 1 of TUPE_CTRL are used as bit mask. The TUPE command is applied only to VIDs used by ring 2, so only bit 1 is set.
TUPE_CTRL_BIT_ENA	1	Enables use of TUPE_CTRL_BIT_MASK.
TUPE_START_ADDR	10	To make VLAN TUPE complete faster, only cover VID 10-50.
TUPE_END_ADDR	50	
TUPE_CMD_PORT_MASK_SET	0x0100	Enables forwarding on port 8.
TUPE_START	1	Starts VLAN TUPE. The device clears TUPE_START when TUPE is completed.

After the VLAN TUPE command is completed, the VLAN table is updated as shown in the following table.

Table 235 • VLAN Table Configuration After APS

Addr (VID)	TUPE_CTRL	VLAN_PORT_MASK	VLAN_FID
4-9	0x01	0x0003	4-9
10-19	0x03	0x0183	10-19
31-32	0x01	0x0003	31-32
20-30, 40-50	0x02	0x0180	20-30, 40-50

The TUPE_CTRL field is 16 bits wide, so using the described approach allows up to 16 Ethernet rings with VLAN TUPE assisted protection switching. However, any unused bits in the 53-bit wide VLAN_PORT_MASK can be used in the same manner as TUPE_CTRL bits. For example, a 24-port switch only using bits 0-23 and 52-53 (CPU) in the VLAN_PORT_MASK have an additional 27 bits, which can be used as an extension of the TUPE_CTRL field.

For Ethernet rings using only a few VIDs, there is little to gain in using VLAN TUPE and new values could instead be written directly to the VLAN_PORT_MASK of the relevant VIDs.

In addition to running the VLAN TUPE commands listed in the previous table, any MAC addresses learned on the ring ports of ring 2 must be flushed from the MAC table. In the above example, ring 2 uses 32 VIDs for forwarding traffic. Each of these use a specific FID. In this example, FID is set equal to VID. MAC addresses for up to 16 FIDs can be flushed at a time, so to flush MAC addresses for 32 FIDs, two flush commands must be executed. The first flush command is shown in the following table. The second flush command is identical, except SCAN_FID_VAL is set to 26-30, 40-50.

Table 236 • MAC Table Flush, First Command

Field	Value	Comment
ANA_L2::SCAN_FID_CTRL.SCAN_FID_ENA	1	Enables use of SCAN_FID_VAL.
ANA_L2::SCAN_FID_CFG.SCAN_FID_VAL	10-25	Flushes FIDs 10-25. Flushing can be done for up to 16 discrete FID values at a time. If flushing needs to be done for less than 16 FIDs, the unused FID values must be set to 0x1FFFF.
LRN::SCAN_NEXT_CFG.FID_FILTER_ENA	1	Enables FID specific flushing.
LRN::MAC_ACCESS_CFG_0.MAC_ENTRY_FID	0x1FFFF	0x1FFFF => not used.
LRN::AUTOAGE_CFG_1.USE_PORT_FILTER_ENA	1	Enables flushing for specific ports.
ANA_L2::FILTER_LOCAL_CTRL	0x0180	Flushes port 7 and 8.
LRN::SCAN_NEXT_CFG.SCAN_NEXT_REMOVE_FOUND_ENA	1	Removes matches. In other words flushing.
LRN::COMMON_ACCESS_CTRL.MAC_TABLE_ACCESS_SHOT	1	Start flushing. The device clears MAC_TABLE_ACCESS_SHOT when flushing has completed. If desirable the device can be configured to generate an interrupt when flushing has completed. This can be used to trigger any subsequent flush commands.

Flushing MAC addresses from the MAC table usually takes longer than running VLAN TUPE. As a result, to have the protection switching complete as fast as possible, start MAC table flushing first, followed by VLAN TUPE. The two will then run in parallel, and when both have completed, the protection switching is done.

3.32.2 Link Aggregation

For ring protection, the working/protection entity can be forwarded on a LAG, providing an additional layer of hardware assisted protection switching.

When a link within the LAG fails, the 16 port masks in ANA_AC:AGGR must be updated to avoid forwarding on the failed link.

To avoid consuming multiple entries in VCAP ES0 for services being forwarded on a LAG, REW:COMMON:PORT_CTRL.ES0_LPORT_NUM must be setup such that a common port number is used in VCAP ES0 keys, regardless of the actual LAG member chosen.

3.32.3 Port Protection Switching

The devices support several methods through which 1:1 port protection switching can be supported:

- Link Aggregation Groups. A LAG with two ports can be configured and ANA_AC:AGGR can be set to only use one of the links in the LAG.
- Disabling the standby port in ANA_L3:MSTP.
- Disabling the standby port using ANA_L3:COMMON:PORT_FWD_CTRL and ANA_L3:COMMON:PORT_LRN_CTRL. This is the recommended approach, because it interferes minimally with other features of the devices.

Regardless of the method, a logical port number must be configured for the involved ports such that MAC addresses are learned on the logical port number to avoid the need for flushing MAC table entries when protection switching occurs. The logical port number is configured in ANA_CL:PORT:PORT_ID_CFG.LPORT_NUM.

REW:COMMON:PORT_CTRL.ES0_LPORT_NUM must be used to avoid consuming multiple VCAP ES0 entries. For more information, see [Link Aggregation](#), page 300.

3.33 High-Speed Mode

For applications that require more than 80 Gbps of Ethernet I/O bandwidth, it is possible to change the switch core to a high-speed mode where the operating clock frequency is increased compared to the normal clock frequency. Configuration of the switch core clock frequency is done after reset, before enabling switch ports.

3.33.1 One-Time Configurations for High-Speed Mode

For applications that require more than 80 Gbps of bandwidth, use the following steps to reconfigure the switch core clock frequency.

1. Configure the switch core clock frequency:
HSIO:PLL5G_CFG:PLL5G_CFG0.CORE_CLK_DIV = 3 (write to both PLLs when applicable)
2. Configure VCore to operate with higher frequency:
DEVCPU_PTP::PTP_SYS_CLK_CFG.PTP_SYS_CLK_PER_NS = 3,
DEVCPU_PTP::PTP_SYS_CLK_CFG.PTP_SYS_CLK_PER_PS100 = 6,
DEVCPU_GCB::SIO_CLOCK.SYS_CLK_PERIOD = 36.
3. Configure analyzer to operate with higher frequency:
ANA_AC_POL::COMMON_SDLB.CLK_PERIOD_01NS = 36,
ANA_AC_POL::COMMON_BDLB.CLK_PERIOD_01NS = 36,
ANA_AC_POL::COMMON BUM_SLB.CLK_PERIOD_01NS = 36,
LRN::AUTOAGE_CFG_1.CLK_PERIOD_01NS = 36,
ANA_AC_POL::POL_UPD_INT_CFG.POL_UPD_INT = 693.
4. Configure scheduler to operate with higher frequency:
HSCH::SYS_CLK_PER.SYS_CLK_PER_100PS = 36.
5. Configure AFI to operate with higher frequency:
AFI_TTL_TICKS:TTI_TICK_BASE.BASE_LEN = 14444.

3.34 Clocking and Reset

The devices have two PLLs: PLL and PLL2. By default, PLL2 is disabled, however, it can be enabled by setting the REFCLK2_EN input pin.

When PLL2 is disabled, all clocks are provided by PLL. When PLL2 is enabled, it provides the clock for the central part of the switch core, including the IEEE 1588 one-second timers. The PLL always provides clocks for the SerDes and for the VCore-III CPU system. By enabling PLL2, the IEEE 1588 clock can, in particular, be made independent of a clock recovered by synchronous Ethernet clock.

The PLL2 can be used as a recovered clock source for Synchronous Ethernet. For information about how to configure PLL2 clock recovery, see [Layer 1 Timing](#), page 276.

The reference clocks for PLL and PLL2 (REFCLK_P/N and REFCLK2_P/N) are either differential or single-ended. The frequency can be 25 MHz (REFCLK2 only), 125 MHz, 156.25 MHz, or 250 MHz. PLL and PLL2 must be configured for the appropriate clock frequency by using strapping inputs REFCLK_CONF[2:0] and REFCLK2_CONF[2:0].

PLL and PLL2 can be used as a recovered clock sources for Synchronous Ethernet. For information about how to configure PLL and PLL2 clock recovery, see [Layer 1 Timing](#), page 276.

For information about protecting the VCore CPU system during a soft-reset, see [Clocking and Reset](#), page 307.

3.34.1 Pin Strapping

Configure PLL2 reference clocks and VCore startup mode using the strapping pins on the GPIO interface. The device latches strapping pins and keeps their value when nRESET to the device is released. After reset is released, the strapping pins are used for other functions. For more information about which GPIO pins are used for strapping, see [GPIO Overlaid Functions](#), page 354.

By using resistors to pull the GPIOs either low or high, software can use these GPIO pins for other functions after reset has been released.

Undefined configurations are reserved and cannot be used. VCore-III configurations that enable a front port or the PCIe endpoint drive VCore_CFG[3:2] high when the front port or PCIe endpoint is ready to use.

Table 237 • Pin Strapping

Pin	Description
REFCLK2_SEL	Strap high to enable PLL2. 0: PLL is source of switch core and VCore clocks. PLL2 is powered down, but can be enabled through registers. 1: PLL2 is source of switch core and VCore clocks.
REFCLK_CONF[2:0]	Reference clock frequency for PLL.
REFCLK2_CONF[2:0]	Configuration of reference clock frequency for PLL2, this is don't care if PLL2 is not enabled. 000: 125 MHz 001: 156.25 MHz 010: 250 MHz 100: 25 MHz Other values are reserved and must not be used.
VCORE_CFG[3:0]	
0000	VCore-III CPU is enabled (Little Endian mode) and boots from SI (the SI slave is disabled).
0001	PCIe 1.x endpoint is enabled. Port 10 is enabled for SFI 10G, and NPI port 4 is enabled for SERDES NoAneg 1G FDX NoFC. VRAP block is accessible through the NPI port. Automatic boot of VCore-III CPU is disabled, and SI slave is enabled.
0010	PCIe 1.x endpoint is enabled. Port 6 is enabled for SERDES NoAneg 1G FDX NoFC, and NPI port 4 is enabled for SERDES NoAneg 1G FDX NoFC. VRAP block is accessible through the NPI port. Au-tomatic boot of VCore-III CPU is disabled, and SI slave is enabled.
0011	PCIe 1.x endpoint is enabled. Port 0 is enabled for SERDES NoAneg 1G FDX NoFC, and NPI port 4 is enabled for SERDES NoAneg 1G FDX NoFC. VRAP block is accessible through the NPI port. Au-tomatic boot of VCore-III CPU is disabled, and SI slave is enabled.
0100	PCIe 1.x endpoint is enabled. Port 10 is enabled for SFI 10G, and NPI port 9 is enabled for SFI 10G. VRAP block is accessible through the NPI port. Automatic boot of VCore-III CPU is disabled, and SI slave is enabled.
0101	PCIe 1.x endpoint is enabled. NPI port 9 is enabled for SFI 10G. VRAP block is accessible through the NPI port. Automatic boot of VCore-III CPU is disabled, and SI slave is enabled.
1000	PCIe 1.x endpoint is enabled. NPI port 4 is enabled for SERDES NoAneg 1G FDX NoFC. VRAP block is accessible through the NPI port. Automatic boot of VCore-III CPU is disabled, and SI slave is enabled.
1001	PCIe 1.x endpoint is enabled. Automatic boot of VCore-III CPU is disabled, and SI slave is enabled.
1010	MIIM slave is enabled with MIIM address 0 (MIIM slave pins are overlaid on GPIOs). Automatic boot of VCore-III CPU is disabled, and SI slave is enabled.
1011	MIIM slave is enabled with MIIM address 31 (MIIM slave pins are overlaid on GPIOs). Automatic boot of VCore-III CPU is disabled, and SI slave is enabled.

Table 237 • Pin Strapping (continued)

Pin	Description
1100	VCore-III CPU is enabled (Big Endian mode) and boots from SI (the SI slave is disabled).
1111	Automatic boot of VCore-III CPU is disabled, and SI slave is enabled.

4 Registers



Information about the registers for this product is available in the attached Adobe Acrobat file. To view or print the information, double-click the attachment icon.

The registers are common to the VSC7442-02, VSC7444-02, VSC7448-02, and VSC7449-02 devices. Registers not applicable to a specific device are marked accordingly.

5 VCore-III System and CPU Interfaces

This section provides information about the functional aspects of blocks and interfaces related to the VCore-III on-chip microprocessor system and an external CPU system.

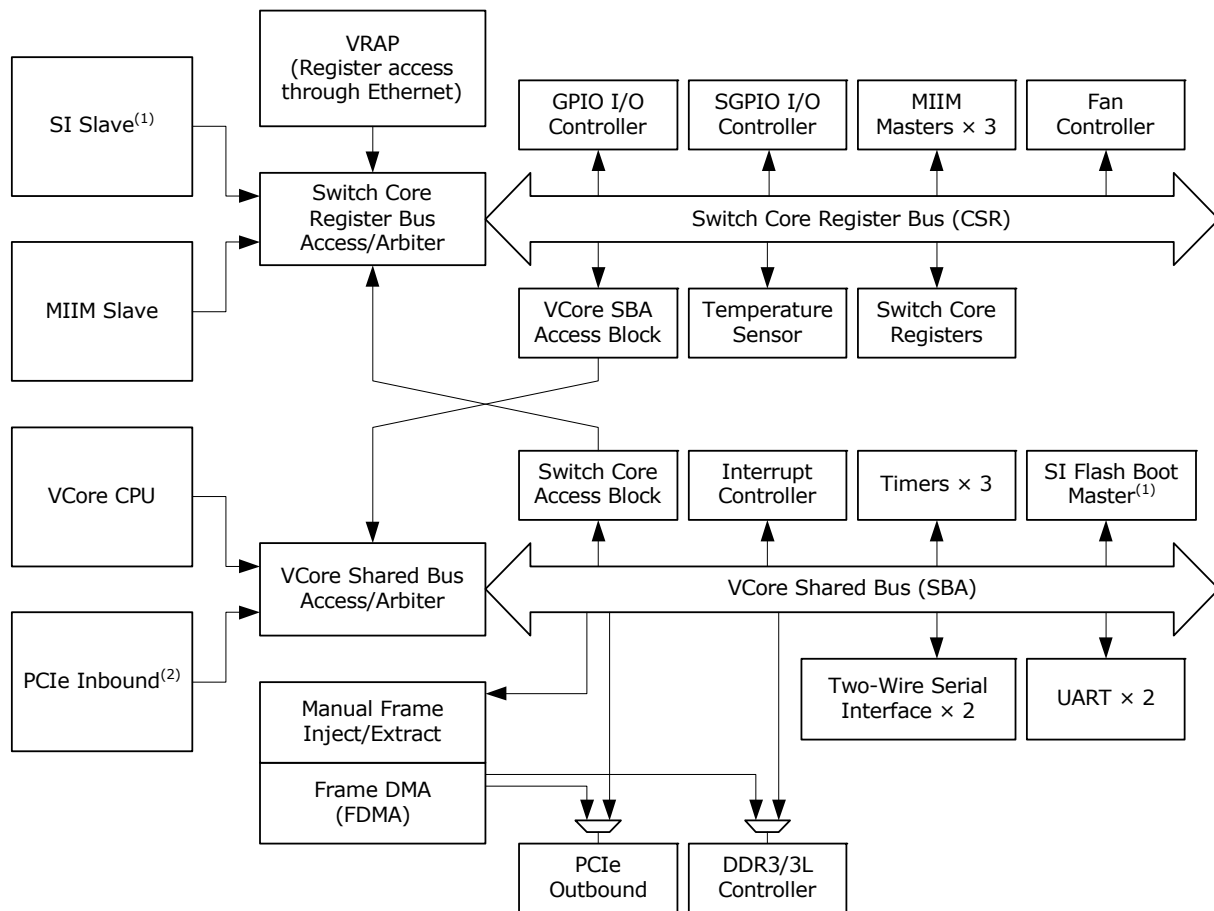
The VSC7442-02, VSC7444-02, VSC7448-02, and VSC7449-02 devices contain a powerful VCore-III CPU system that is based on an embedded MIPS24KEc-compatible microprocessor and a high bandwidth Ethernet Frame DMA engine. The VCore-III system can control the devices independently, or it can support an external CPU, relieving the external CPU of the otherwise time consuming tasks of transferring frames, maintaining the switch core, and handling networking protocols.

When the VCore-III CPU is enabled, it either automatically boots up from serial Flash or a external CPU can manually load a code-image to the devices and then start the VCore-III CPU.

An external CPU can be connected to the VSC7442-02, VSC7444-02, VSC7448-02, and VSC7449-02 devices through the PCIe interface, serial interface (SI), dedicated MIIM slave interface, or through Versatile Register Access Protocol (VRAP) formatted Ethernet frames using the NPI Ethernet port. Through these interfaces, the external CPU has access to the complete set of device registers and can control them without help from the VCore-III CPU if needed.

The following illustration shows the VCore-III block diagram.

Figure 90 • VCore-III System Block Diagram



1. When the Vcore-III CPU boots up from the SI Flash, the SI is reserved as boot interface and cannot be used by an external CPU.

2. Inbound PCIe access to BAR0 maps to VCore register space (switch core access block, interrupt controller, timers, two-wire serial master/slave, UARTs, and manual frame injection/extraction). Inbound PCIe access to BAR2 maps to the DDR3/3L memory space (DDR controller).

5.1 VCore-III Configurations

The behavior of the VCore-III system after a reset is determined by four VCore strapping pins that are overlaid on GPIO pins. The value of these GPIOs is sampled shortly after releasing reset to the devices. For more information about the strapping pins, see [Pin Strapping](#), page 302.

The strapping value determines the reset value for the `ICPU_CFG::GENERAL_CTRL` register. After startup, the behavior of the VCore-III system can be modified by changing some of the fields in this register. The following are common scenarios.

- After starting the devices with the VCore-III CPU disabled, an external CPU can manually boot the VCore-III CPU from SI Flash by writing `ICPU_CFG::GENERAL_CTRL.IF_SI_MST_ENA = 1`, `ICPU_CFG::GENERAL_CTRL.BOOT_MODE_ENA = 1`, and `ICPU_CFG::GENERAL_CTRL.CPU_DIS = 0`. Endianess is configured by `ICPU_CFG::GENERAL_CTRL.CPU_BE_ENA`. Setting `GENERAL_CTRL.IF_SI_MST_ENA` disables the SI slave, so the external CPU must use another interface than SI.
- After starting the devices with the VCore-III CPU disabled and loading software into DDR3/DDR3L memory, an external CPU can boot the VCore-III CPU from DDR3/DDR3L memory by writing `ICPU_CFG::GENERAL_CTRL.BOOT_MODE_ENA = 0` and `ICPU_CFG::GENERAL_CTRL.CPU_DIS = 0`. Endianess is configured using `ICPU_CFG::GENERAL_CTRL.CPU_BE_ENA`.

- After automatically booting from SI Flash, the VCore-III CPU can release the SI interface and enable the SI slave by writing `ICPU_CFG::GENERAL_CTRL.IF_SI_MST_ENA = 0`. This enables SI access from an external CPU to the devices. A special PCB design is required to make the serial interface work for both Flash and external CPU access.
- MIIM slave can be manually enabled by writing `ICPU_CFG::GENERAL_CTRL.IF_MIIM_SLV_ENA = 1`. The MIIM slave automatically takes control of the appropriate GPIO pins.

The EJTAG interface of the VCore-III CPU and the Boundary Scan JTAG controller are both multiplexed onto the JTAG interface of devices. When the `JTAG_ICE_nEN` pin is low, the MIPS's EJTAG controller is selected. When the `JTAG_ICE_nEN` pin is high, the Boundary Scan JTAG controller is selected.

5.2 Clocking and Reset

The following table lists the registers associated with reset and the watchdog timer.

Table 238 • Clocking and Reset Configuration Registers

Register	Description
<code>ICPU_CFG::RESET</code>	VCore-III reset protection scheme and initiating soft reset of the VCore-III System and/or CPU.
<code>DEVCPU_GCB::SOFT_RST</code>	Initiating chip-level soft reset.
<code>ICPU_CFG::WDT</code>	Watchdog timer configuration and status.

The VCore-III CPU runs 500 MHz, the DDR3/DDR3L controller runs 312.50 MHz, and the rest of the VCore-III system runs at 250 MHz.

The VCore-III can be soft reset by setting `RESET.CORE_RST_FORCE`. By default, this resets both the VCore-III CPU and the VCore-III system. The VCore-III system can be excluded from a soft reset by setting `RESET.CORE_RST_CPU_ONLY`; soft reset using `CORE_RST_FORCE` only then resets the VCore-III CPU. The frame DMA must be disabled prior to a soft reset of the VCore-III system. When `CORE_RST_CPU_ONLY` is set, the frame DMA, PCIe endpoint, and DDR3/DDR3L controller are not affected by a soft reset and continue to operate throughout soft reset of the VCore-III CPU.

The VCore-III system comprises all the blocks attached to the VCore Shared Bus (SBA), including the PCIe, DDR3/DDR3L, and frame DMA/injection/extraction blocks. Blocks attached to the switch core Register Bus (CSR), including VRAP, SI, and MIIM slaves, are not part of the VCore-III system reset domain. For more information about the VCore-III system blocks, see [Figure 90](#), page 306.

The devices can be soft reset by writing `SOFT_RST.SOFT_CHIP_RST`. The VCore-III system and CPU can be protected from a device soft reset by writing `RESET.CORE_RST_PROTECT = 1` before initiating a soft reset. In this case, a chip-level soft reset is applied to all other blocks, except the VCore-III system and the CPU. When protecting the VCore-III system and CPU from a soft reset, the frame DMA must be disabled prior to a chip-level soft reset. The SERDES and PLL blocks can be protected from reset by writing to `SOFT_RST.SOFT_SWC_RST` instead of `SOFT_CHIP_RST`.

The VCore-III general purpose registers (`ICPU_CFG::GPR`) and GPIO alternate modes (`DEVCPU_GCB::GPIO_ALT`) are not affected by a soft reset. These registers are only reset when an external reset is asserted.

5.2.1 Watchdog Timer

The VCore system has a built-in watchdog timer (WDT) with a two-second timeout cycle. The watchdog timer is enabled, disabled, or reset through the WDT register. The watchdog timer is disabled by default.

After the watchdog timer is enabled, it must be regularly reset by software. Otherwise, it times out and cause a VCore soft reset equivalent to setting `RESET.CORE_RST_FORCE`. Improper use of the `WDT.WDT_LOCK` causes an immediate timeout-reset as if the watchdog timer had timed out. The `WDT.WDT_STATUS` field shows if the last VCore-III CPU reset was caused by WDT timeout or regular reset (possibly soft reset). The `WDT.WDT_STATUS` field is updated only during VCore-III CPU reset.

To enable or to reset the watchdog timer, write the locking sequence, as described in WDT.WDT_LOCK, at the same time as setting the WDT.WDT_ENABLE field.

Because watchdog timeout is equivalent to setting RESET.CORE_RST_FORCE, the RESET.CORE_RST_CPU_ONLY field also applies to watchdog initiated soft reset.

5.3 Shared Bus

The shared bus is a 32-bit address and 32-bit data bus with dedicated master and slave interfaces that interconnect all the blocks in the VCore-III system. The VCore-III CPU, PCIe inbound, and VCore SBA access block are masters on the shared bus; only they can start access on the bus.

The shared bus uses byte addresses, and transfers of 8, 16, or 32 bits can be made. To increase performance, bursting of multiple 32-bit words on the shared bus can be performed.

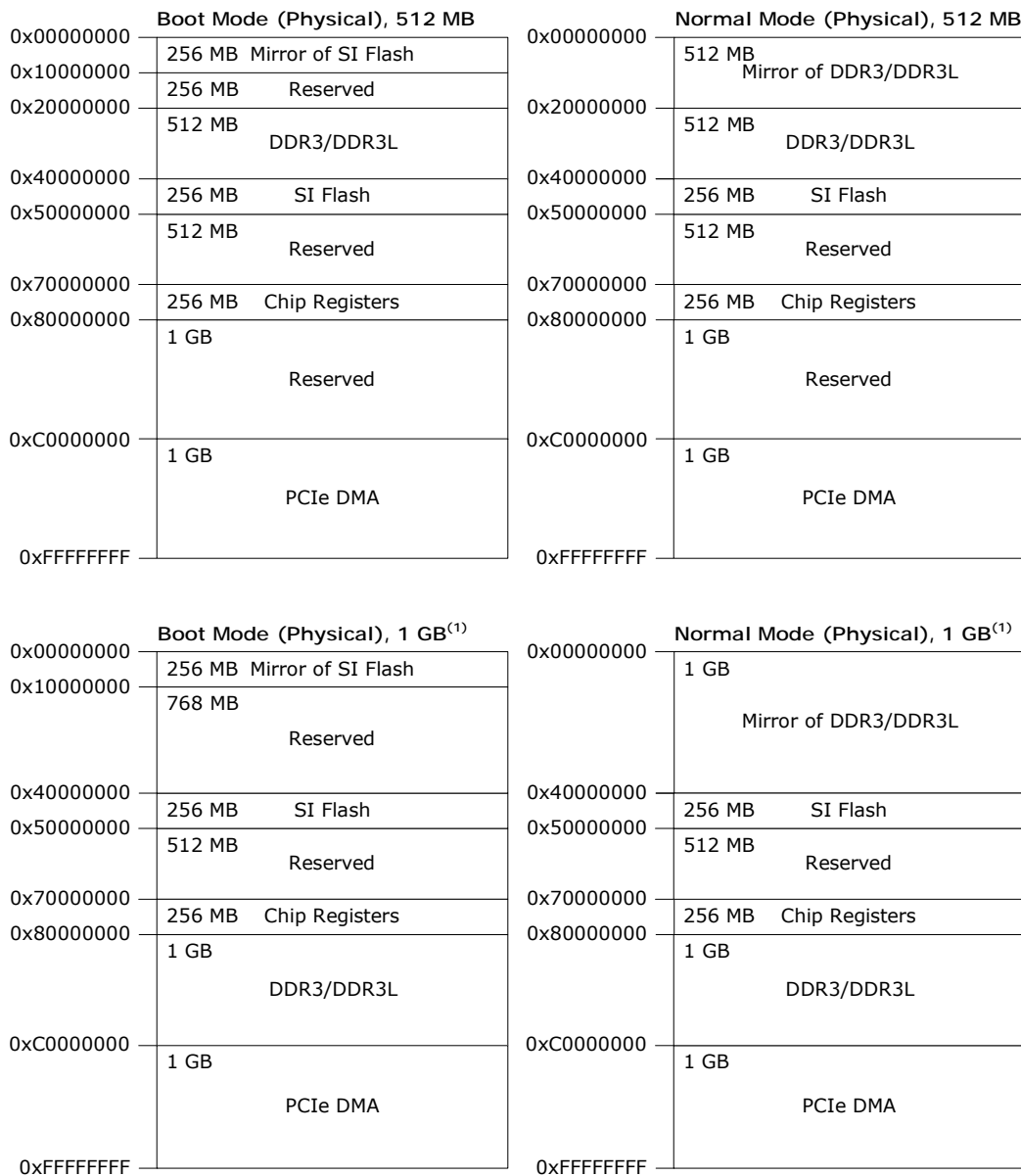
All slaves are mapped into the VCore-III system's 32-bit address space and can be accessed directly by masters on the shared bus. Two possible mappings of VCore-III shared bus slaves are boot mode and normal mode.

- Boot mode is active after power-up and reset of the VCore-III system. In this mode, the SI Flash boot master is mirrored into the lowest address region.
- In normal mode, the DDR3/DDR3L controller is mirrored into the lowest address region.

Changing between boot mode and normal mode is done by first writing and then reading ICPU_CFG::GENERAL_CTRL.BOOT_MODE_ENA. A change takes effect during the read.

The device supports up to 1 gigabyte (GB) of DDR3/DDR3L memory. By default, only 512 megabytes (MB) is accessible in the memory map. To accommodate more than 512 MB of memory, write ICPU_CFG::MEMCTRL_CFG.DDR_512MBYTE_PLUS = 1.

Figure 91 • Shared Bus Memory Map



1. To enable support 1 gigabyte (GB) of DDR3/DDR3L memory (and the associated memory map), set ICPU_CFG::MEMCTRL_CFG.DDR_512MBYTE_PLUS.

Note: When the VCore-III system is protected from a soft reset using ICPU_CFG::RESET.CORE_RST_CPU_ONLY, a soft reset does not change shared bus memory mapping. For more information about protecting the VCore-III system when using a soft reset, see [Clocking and Reset](#), page 307.

If the boot process copies the SI Flash image to DDR3/DDR3L, and if the contents of the SI memory and the DDR3 memory are the same, software can execute from the mirrored region when swapping from boot mode to normal mode. Otherwise, software must be execute from the fixed SI Flash region when changing from boot mode to normal mode.

The Frame DMA has dedicated access to PCIe outbound and to the DDR3/DDR3L. This means that access on the SBA to other parts of the devices, such as register access, does not affect Frame DMA injection/extraction performance.

5.3.1 VCore-III Shared Bus Arbitration

The following table lists the registers associated with the shared bus arbitration.

Table 239 • Shared Bus Configuration Registers

Register	Description
SBA::PL_CPU	Master priorities
SBA::PL_PCIE	Master priorities
SBA::PL_CSR	Master priorities
SBA::WT_EN	Enable of weighted token scheme
SBA::WT_TCL	Weighted token refresh period
SBA::WT_CPU	Token weights for weighted token scheme
SBA::WT_PCIE	Token weights for weighted token scheme
SBA::WT_CSR	Token weights for weighted token scheme

The VCore-III shared bus arbitrates between masters that want to access the bus. The default is to use a strict prioritized arbitration scheme where the VCore-III CPU has highest priority. The strict priorities can be changed using registers PL_CPU, PL_PCIE, and PL_CSR.

- *_CPU registers apply to VCore-III CPU access
- *_PCIE registers apply to inbound PCIe access
- *_CSR registers apply to VCore-III SBA access block access

It is possible to enable weighted token arbitration scheme (WT_EN). When using this scheme, specific masters can be guaranteed a certain amount of bandwidth on the shared bus. Guaranteed bandwidth that is not used is given to other masters requesting the shared bus.

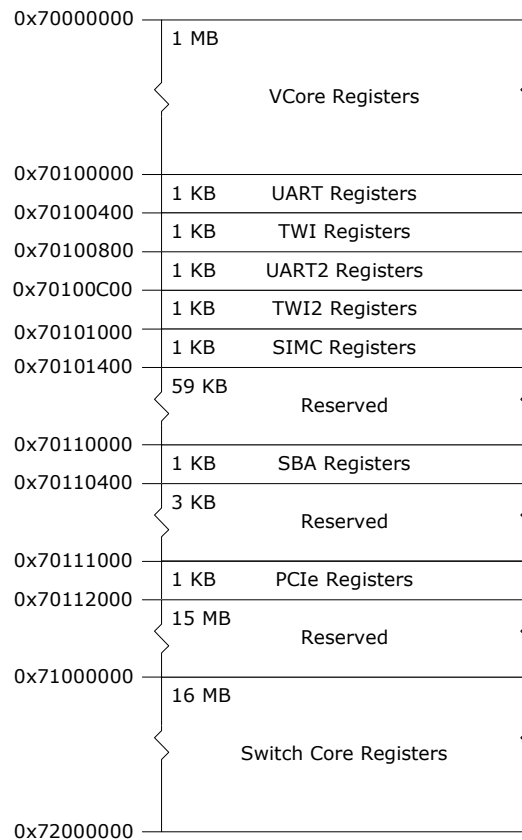
When weighted token arbitration is enabled, the masters on the shared bus are granted a configurable number of tokens (WT_CPU, WT_PCIE, and WT_CSR) at the start of each refresh period. The length of each refresh period is configurable (WT_TCL). For each clock cycle that the master uses the shared bus, the token counter for that master is decremented. When all tokens are spent, the master is forced to a low priority. Masters with tokens always take priority over masters with no tokens. The strict prioritized scheme is used to arbitrate between masters with tokens and between masters without tokens.

Example Guarantee That PCIe Can Get 25% Bandwidth. Configure WT_TCL to a refresh period of 2048 clock cycles; the optimal length of the refresh period depends on the scenario, experiment to find the right setting. Guarantee PCIe access in 25% of the refresh period by setting WT_PCIE to 512 (2048 × 25%). Set WT_CPU and WT_CSR to 0. This gives the VCore-III CPU and CSR unlimited tokens. Configure PCIe to highest priority by setting PL_PCIE to 15. Finally, enable the weighted token scheme by setting WT_EN to 1. For each refresh period of 2048 clock cycles, PCIe is guaranteed access to the shared bus for 512 clock cycles, because it is the highest priority master. When all the tokens are spent, it is put into the low-priority category.

5.3.2 Chip Register Region

Registers in the VCore-III domain and inside the switch core are memory mapped into the chip registers region of the shared bus memory map. All registers are 32-bit wide and must only be accessed using 32-bit reads and writes. Bursts are supported.

Writes to this region are buffered (there is a one-word write buffer). Multiple back-to-back write access pauses the shared bus until the write buffer is freed up (until the previous writes are done). Reads from this region pause the shared bus until read data is available.

Figure 92 • Chip Registers Memory Map

The registers in the 0x70000000 through 0x70FFFFFF region are physically located inside the VCore-III system, so read and write access to these registers is fast (done in a few clock cycles). All registers in this region are considered fast registers.

Registers in the 0x71000000 through 0x71FFFFFF region are located inside the switch core; access to registers in this range takes approximately 1 μ s. The DEVCPU_ORG and DEVCPU_QS targets are special; registers inside these two targets are faster; access to these two targets takes approximately 0.1 μ s.

When more than one CPU is accessing registers, the access time may be increased. For more information, see Register Access and Multimaster Systems.

Writes to the Chip Registers region is buffered (there is a one-word write buffer). Multiple back-to-back write access pauses the shared bus until the write buffer is freed up (until the previous write is done). A read access pause the shared bus until read data is available. Executing a write immediately followed by a read requires the write to be done before the read can be started.

5.3.3 SI Flash Region

Read access from the SI Flash region initiates Flash formatted read access on the SI pins of the devices by means of the SI boot controller.

The SI Flash region cannot be written to. Writing to the SI interface must be implemented by using the SI master controller. For more information, see [SI Master Controller](#), page 336. For legacy reasons, it is also possible to write to the SI interface by using the SI boot master's software "bit-banging" register interface. For more information, see [SI Boot Controller](#), page 334.

5.3.4 DDR3/DDR3L Region

Read and write access from or to the DDR3/DDR3L region maps to access on the DDR3 interface of the devices using the DDR3 controller. For more information about the DDR3/DDR3L controller and initializing DDR3/DDR3L memory, see DDR3/DDR3L Memory Controller.

5.3.5 PCIe Region

Read and write access from or to the PCIe region maps to outbound read and write access on the PCIe interface of the devices by means of the PCIe endpoint controller. For more information about the PCIe endpoint controller and how to reach addresses in 32-bit and 64-bit PCIe environments, see PCIe Endpoint Controller.

5.4 VCore-III CPU

The VCore-III CPU system is based on a powerful MIPS24KEc-compatible microprocessor with 16-entry MMU, 32 kilobytes (kB) instruction, and 32 kB data caches.

This section describes how the VCore-III CPU is integrated into the VCore-III system. For more information about internal VCore-III CPU functions, such as bringing up caches, MMU, and so on, see the software board support package (BSP) at www.microsemi.com.

When the automatic boot in the little-endian or big-endian mode is enabled using the VCore-III strapping pins, the VCore-III CPU automatically starts to execute code from the SI Flash at byte address 0.

The following is a typical automatic boot sequence.

1. Speed up the boot interface. For more information, see SI boot controller.
2. Initialize the DDR3/DDR3L controller. For more information, see DDR3/DDR3L Memory Controller
3. Copy code-image from Flash to DDR3/DDR3L memory.
4. Change memory map from boot mode to normal mode, see Shared Bus.

When automatic boot is disabled, an external CPU is still able to start the VCore-III CPU through registers. For more information, see VCore Configurations.

The boot vector of the VCore-III CPU is mapped to the start of the KESEG1, which translates to physical address 0x00000000 on the VCore-III shared bus.

The VCore-III CPU interrupts are mapped to interrupt inputs 0 and 1, respectively.

5.4.1 Little Endian and Big Endian Support

The VCore-III system is constructed as a little endian system, and registers descriptions reflect little endian encoding. When big endian mode is enabled, instructions and data are byte-lane swapped just before they enter and when they leave the VCore-III CPU. This is the standard way of translating between a CPU in big endian mode and a little endian system.

In big endian mode, care must be taken when accessing parts of the memory system that is also used by users other than the VCore-III CPU. For example, VSC7442-02, VSC7444-02, VSC7448-02, and VSC7449-02 device registers are written and read by the VCore-III CPU, but they are also used by the devices (which sees them in little endian mode). The VCore-III BSP contains examples of code that correctly handles register access for both little and big endian mode.

Endianess of the CPU is selected by VCore-III strapping pins or by register configuration when manually booting the CPU. For more information, see VCore-III configurations.

5.4.2 Software Debug and Development

The VCore CPU has a standard MIPS EJTAG debug interface that can be used for breakpoints, loading of code, and examining memory. When the JTAG_ICE_nEN strapping pin is pulled low, the JTAG interface is attached to the EJTAG controller.

5.5 External CPU Support

An external CPU attaches to the VSC7442-02, VSC7444-02, VSC7448-02, and VSC7449-02 devices through the PCIe, SI, MIIM, or VRAP. Through these interfaces, an external CPU can access (and

control) the devices. For more information about interfaces and connections to device registers, see VCore-III system block diagram.

Inbound PCIe access is performed on the VCore Shared Bus (SBA) in the same way as ordinary VCore-III CPU access. By means of the switch core Access block it is possible to access the Switch Core Register (CSR) bus. For more information about supported PCIe BAR regions, see PCIe Endpoint Controller.

The SI, MIIM, and VRAP interfaces attach directly to the CSR. Through the VCore SBA access block, it is possible to access the VCore shared bus. For more information, see Access to the VCore Shared Bus.

The external CPU can coexist with the internal VCore-III CPU, and hardware-semaphores and interrupts are implemented for inter-CPU communication. For more information, see Mailbox and Semaphores.

5.5.1 Register Access and Multimaster Systems

There are three different groups of registers in the devices:

- Switch Core
- Fast Switch Core
- VCore

The Switch Core registers and Fast Switch Core registers are separated into individual register targets and attached to the Switch Core Register bus (CSR). The Fast Switch Core registers are placed in the DEVCPU_QS and DEVCPU_ORG register targets. Access to Fast Switch Core registers is less than 0.1 μ s; other Switch Core registers take no more than 1 μ s to access.

The VCore registers are attached directly to the VCore shared bus. The access time to VCore registers is negligible (a few clock cycles).

Although multiple masters can access VCore registers and Switch Core registers in parallel without noticeable penalty to the access time, the following exceptions apply.

- When accessing the same Switch Core register target (for example, DEVCPU_GCB), the second master to attempt access has to wait for the first master to finish (round robin arbitration applies.) This does not apply to Fast Switch Core register targets (DEVCPU_QS and DEVCPU_ORG).
- If both the VCore-III CPU and the PCIe master are performing Switch Core Register bus (CSR) access, both need to be routed through the Switch Core Access block. The second master has to wait for the first master to finish (shared bus arbitration applies).
- If two or more SI, MIIM, or VRAP masters are performing VCore register access, they all need to go through the VCore SBA Access block. Ownership has to be resolved by use of software (for example, by using the build-in semaphores).

The most common multimaster scenario is with an active VCore-III CPU and an external CPU using either SI or VRAP. In this case, Switch Core register access to targets that are used by both CPUs may see two times the access time (no more than 2 μ s).

5.5.2 Serial Interface in Slave Mode

This section provides information about the function of the serial interface in slave mode.

The following table lists the registers associated with SI slave mode.

Table 240 • SI Slave Mode Register

Register	Description
DEVCPU_ORG::IF_CTRL	Configuration of endianness and bit order
DEVCPU_ORG::IF_CFGSTAT	Configuration of padding
ICPU_CFG::GENERAL_CTRL	SI interface ownership

The serial interface implements a SPI-compatible protocol that allows an external CPU to perform read and write access to register targets within the VSC7442-02, VSC7444-02, VSC7448-02, and VSC7449-02 devices. Endianness and bit order is configurable, and several options for high frequencies are supported.

The serial interface is available to an external CPU when the VCore-III CPU does not use the SI for Flash or external SI access. For more information, VCore-III System and CPU interfaces.

The following table lists the serial interface pins when the SI slave is configured as owner of SI interface in GENERAL_CTRL.IF_SI_OWNER.

Table 241 • SI Slave Mode Pins

Pin Name	I/O	Description
SI_nCS0	I	Active-low chip select
SI_CLK	I	Clock input
SI_DI	I	Data input (MOSI)
SI_DO	O	Data output (MISO)

SI_DI is sampled on rising edge of SI_CLK. SI_DO is driven on falling edge of SI_CLK. There are no requirements on the logical values of the SI_CLK and SI_DI inputs when SI_nCS is deasserted; they can be either 0 or 1. SI_DO is only driven during read access when read data is shifted out of the devices.

The external CPU initiates access by asserting chip select and then transmitting one bit read/write indication, one don't care bit, 22 address bits, and 32 bits of write data (or don't care bits when reading).

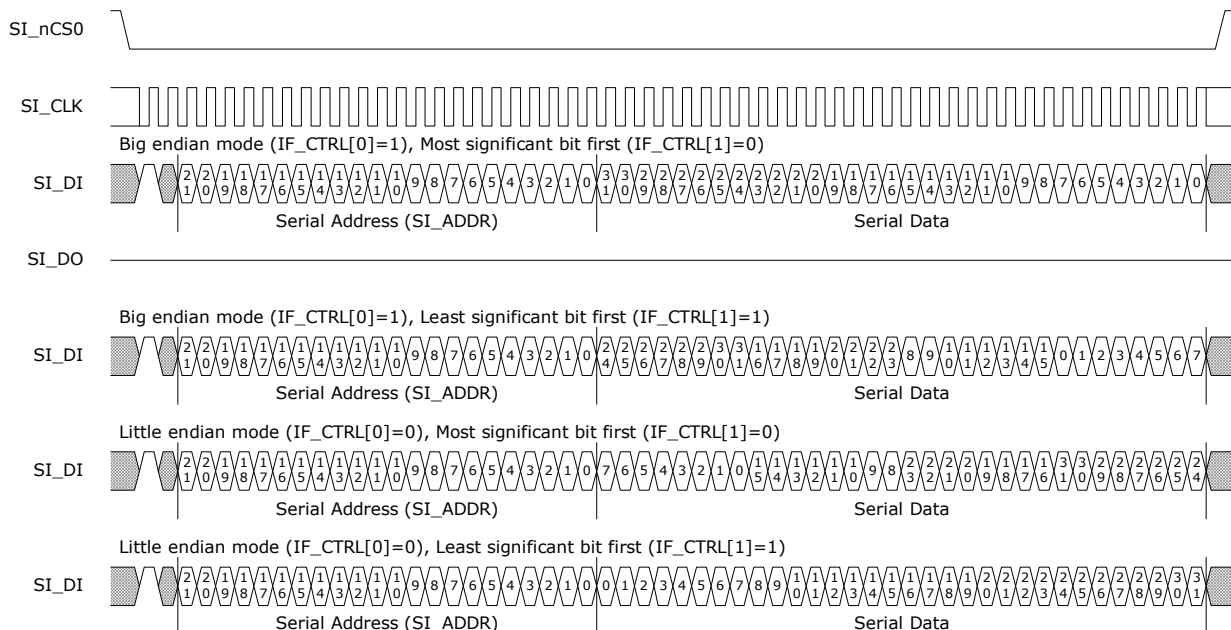
With the register address of a specific register (REG_ADDR), the SI address (SI_ADDR) is calculated as:

$$SI_ADDR = (REG_ADDR \& 0x00FFFFFF) \gg 2$$

Data word endianness is configured through IF_CTRL[0]. The order of the data bits is configured using IF_CTRL[1].

The following illustration shows various configurations for write access. The order of the data bits during writing, as depicted, is also used when the devices are transmitting data during read operations.

Figure 93 • Write Sequence for SI



When using the serial interface to read registers, the devices need to prepare read data after receiving the last address bit. The access time of the register that is read must be satisfied before shifting out the first bit of read data. For information about access time, see Register Access and Multimaster Systems. The external CPU must apply one of the following solutions to satisfy read access time.

- Use SI_CLK with a period of minimum twice the access time for the register target. For example, for normal switch core targets (single master):
 $1/(2 \times 1 \mu\text{s}) = 500 \text{ kHz (maximum)}$
- Pause the SI_CLK between shifting of serial address bit 0 and the first data bit with enough time to satisfy the access time for the register target.
- Configure the devices to send out padding bytes before transmitting the read data to satisfy the access time for the register target. For example, 1 dummy byte allows enough read time for the SI clock to run up to 6 MHz in a single master system. See the following calculation.

The devices are configured for inserting padding bytes by writing to IF_CFGSTAT.IF_CFG. These bytes are transmitted before the read data. The maximum frequency of the SI clock is calculated as:

$$(\text{IF_CFGSTAT.IF_CFG} \times 8 - 1.5)/\text{access-time}$$

For example, for normal switch core targets (single master), 1-byte padding give $(1 \times 8 - 1.5) / 1 \mu\text{s} = 6 \text{ MHz (maximum)}$. The SI_DO output is kept tristated until the actual read data is transmitted.

The following illustrations show options for serial read access. The illustrations show only one mapping of read data, little endian with most significant bit first. Any of the mappings can be configured and applied to read data in the same way as for write data.

Figure 94 • Read Sequence for SI_CLK Slow

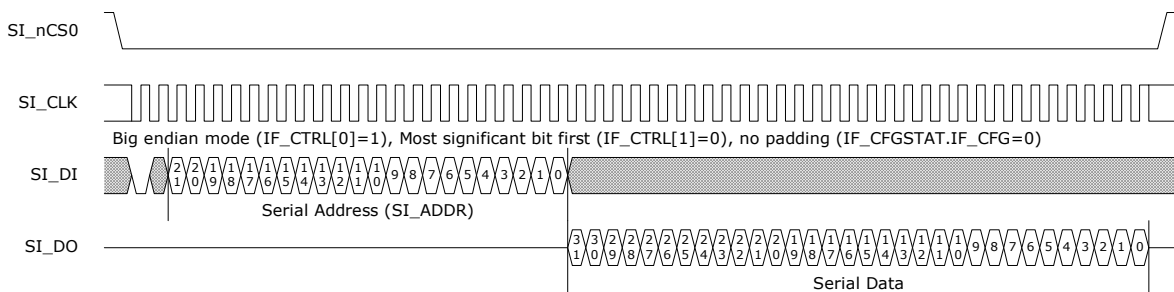


Figure 95 • Read Sequence for SI_CLK Pause

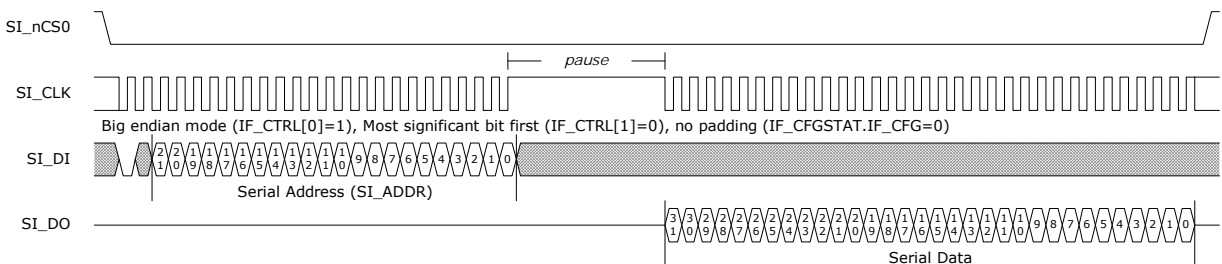
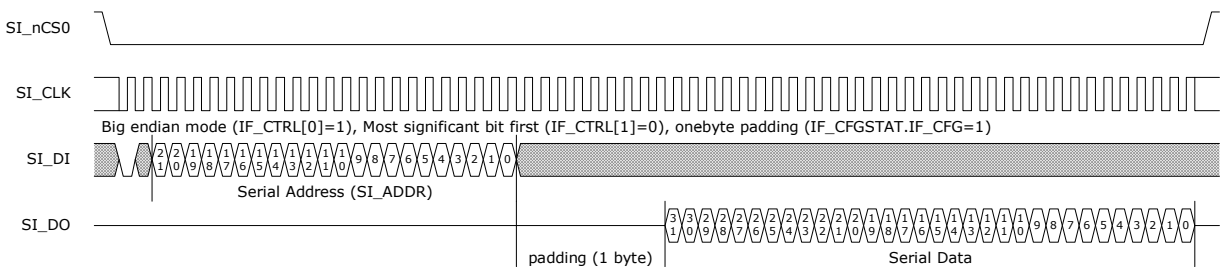


Figure 96 • Read Sequence for One-Byte Padding



When dummy bytes are enabled (IF_CFGSTAT.IF_CFG), the SI slave logic enables an error check that sends out 0x88888888 and sets IF_CFGSTAT.IF_STAT if the SI master does not provide enough time for register read.

When using SI, the external CPU must configure the IF_CTRL register after power-up, reset, or chip-level soft reset. The IF_CTRL register is constructed so that it can be written no matter the state of the

interface. For more information about constructing write data for this register, see the instructions in IF_CTRL.IF_CTRL.

5.5.3 MIIM Interface in Slave Mode

This section provides the functional aspects of the MIIM slave interface.

The MIIM slave interface allows an external CPU to perform read and write access to the device register targets. Register access is done indirectly, because the address and data fields of the MIIM protocol is less than those used by the register targets. Transfers on the MIIM interface are using the Management Frame Format protocol specified in IEEE 802.3, Clause 22.

The MIIM slave pins on the devices are overlaid functions on the GPIO interface. MIIM slave mode is enabled by configuring the appropriate VCore_CFG strapping pins. For more information, see [VCore-III Configurations](#), page 306. When MIIM slave mode is enabled, the appropriate GPIO pins are automatically overtaken. For more information about overlaid functions on the GPIOs for these signals, see [GPIO Overlaid Functions](#), page 354.

The following table lists the pins of the MIIM slave interface.

Table 242 • MIIM Slave Pins

Pin Name	I/O	Description
MIIM_SLV_MDC/GPIO	I	MIIM slave clock input
MIIM_SLV_MDIO/GPIO	I/O	MIIM slave data input/output
MIIM_SLV_ADDR/GPIO	I	MIIM slave address select

MIIM_SLV_MDIO is sampled or changed on the rising edge of MIIM_SLV_MDC by the MIIM slave interface.

The MIIM slave can be configured to answer on one of two different PHY addresses using the MIIM_SLV_ADDR pin. Setting the MIIM_SLV_ADDR pin to 0 configures the MIIM slave to use PHY address 0, and setting it to 1 configures the MIIM slave to use PHY address 31.

The MIIM slave has seven 16-bit MIIM registers defined as listed in the following table.

Table 243 • MIIM Registers

Register Address	Register Name	Description
0	ADDR_REG0	Bits 15:0 of the address to read or write. The address field must be formatted as word address.
1	ADDR_REG1	Bits 31:16 of the address to read or write.
2	DATA_REG0	Bits 15:0 of the data to read or write. Returns 0x8888 if a register read error occurred.
3	DATA_REG1	Bits 31:16 of the data to read or write. The read or write operation is initiated after this register is read or written. Returns 0x8888 if read while busy or a register read error occurred.
4	DATA_REG1_INCR	Bits 31:16 of data to read or write. The read or write operation is initiated after this register is read or written. When the operation is complete, the address register is incremented by one. Returns 0x8888 if read while busy or a register read error occurred.
5	DATA_REG1_INERT	Bits 31:16 of data to read or write. Reading or writing to this register does not cause a register access to be initiated. Returns 0x8888 if a register read error occurred.

Table 243 • MIIM Registers (continued)

Register Address	Register Name	Description
6	STAT_REG	The status register gives the status of any ongoing operations. Bit 0: Busy. Set while a register read/write operation is in progress. Bit 1: Busy_rd. Busy status during the last read or write operation. Bit 2: Err. Set if a register access error occurred. Others: Reserved.

A 32-bit switch core register read or write transaction over the MIIM interface is done indirectly due to the limited data width of the MIIM frame. First, the address of the register inside the device must be set in the two 16-bit address registers of the MIIM slave using two MIIM write transactions. The two 16-bit data registers can then be read or written to access the data value of the register inside the devices. Thus, it requires up to four MIIM transactions to perform a single read or write operation on a register target.

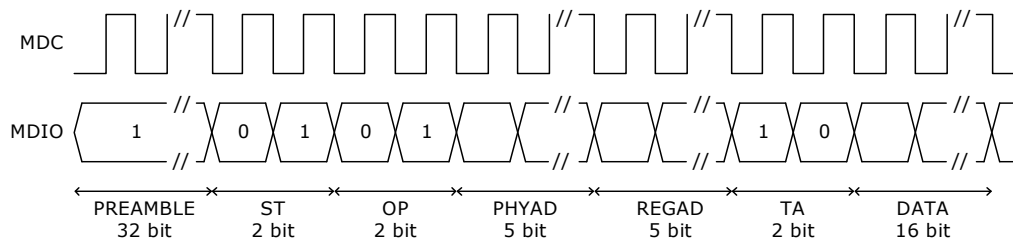
The address of the register to read/write is set in registers ADDR_REG0 and ADDR_REG1. The data to write to the register pointed to by the address in ADDR_REG0 and addr_reg1 is first written to DATA_REG0 and then to DATA_REG1. When the write transaction to DATA_REG1 is completed, the MIIM slave initiates the switch core register write.

With the register address of a specific register (REG_ADDR), the MIIM address (MIIM_ADDR) is calculated as:

$$MIIM_ADDR = (REG_ADDR \& 0x00FFFFFF) \gg 2$$

The following illustration shows a single MIIM write transaction on the MIIM interface.

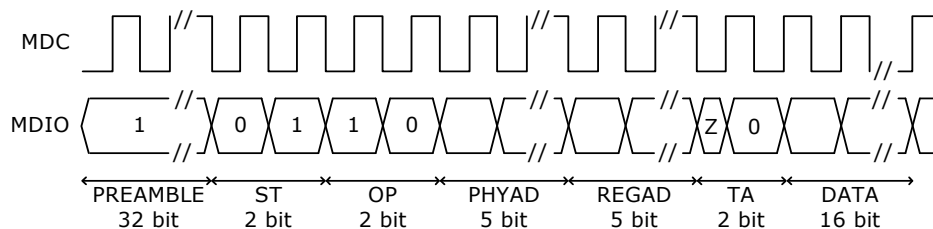
Figure 97 • MIIM Slave Write Sequence



A read transaction is done in a similar way. First, read the DATA_REG0 and then read the DATA_REG1. As with a write operation. The switch core register read is not initiated before the DATA_REG1 register is read. In other words, the returned read value is from the previous read transaction.

The following illustration shows a single MIIM read transaction on the MIIM interface.

Figure 98 • MIIM Slave Read Sequence



5.5.4 Access to the VCore Shared Bus

This section provides information about how to access the VCore shared bus (SBA) from an external CPU attached by means of the VRAP, SI, or MIIM. The following table lists the registers associated with the VCore shared bus access.

Table 244 • VCore Shared Bus Access Registers

Register	Description
DEVCPU_GCB::VA_CTRL	Status for ongoing access
DEVCPU_GCB::VA_ADDR	Configuration of shared bus address
DEVCPU_GCB::VA_DATA	Configuration of shared bus address
DEVCPU_GCB::VA_DATA_INCR	Data register, access increments VA_ADDR
DEVCPU_GCB::VA_DATA_INERT	Data register, access does not start new access

An external CPU perform 32-bit reads and writes to the SBA through the VCore Access (VA) registers. In the VCore-III system, a dedicated master on the shared bus handles VA access. For information about arbitration between masters on the shared bus, see VCore Shared Bus Arbitration.

The SBA address is configured in VA_ADDR. Writing to VA_DATA starts an SBA write with the 32-bit value that was written to VA_DATA. Reading from VA_DATA returns the current value of the register and starts an SBA read access, when the read access completes, the result is automatically stored in the VA_DATA register.

The VA_DATA_INCR register behaves similar to VA_DATA, except that after starting an access, the VA_ADDR register is incremented by four (so that it points to the next word address in the SBA domain). Reading from the VA_DATA_INCR register returns the value of VA_DATA, writing to VA_DATA_INCR overwrites the value of VA_DATA.

Note: By using VA_DATA_INCR, sequential word addresses can be accessed without having to manually increment the VA_ADDR register between each access.

The VA_DATA_INERT register provides direct access to the VA_DATA value without starting access on the SBA. Reading from the VA_DATA_INERT register returns the value of VA_DATA, writing to VA_DATA_INERT overwrites the value of VA_DATA.

The VCore-III shared bus is capable of returning error-indication when illegal register regions are accessed. If a VA access results in an error-indication from the SBA, the VA_CTRL.VA_ERR field is set, and the VA_DATA is set to 0x88888888.

Note: SBA error indications only occur when non-existing memory regions or illegal registers are accessed. This will not happen during normal operation, so the VA_CTRL.VA_ERR indication is useful during debugging only.

Example Reading from ICP_CFG::GPR[1] through the VA registers. The GPR register is the second register in the SBA VCore-III Registers region. Set VA_ADDR to 0x70000004, read once from VA_DATA (and discard the read value). Wait until VA_CTRL.VA_BUSY is cleared, then VA_DATA contains the value of the ICP_CFG::GPR[1] register. Using VA_DATA_INERT (instead of VA_DATA) to read the data is appropriate, because this does not start a new SBA access.

5.5.4.1 Optimized Reading

VCore-III shared bus access is typically much faster than the CPU interface, which is used to access the VA registers. The VA_DATA register (VA_DATA_INCR and VA_DATA_INERT) returns 0x88888888 when VA_CTRL.VA_BUSY is set. This means that it is possible to skip checking for busy between read access to SBA. For example, after initiating a read access from SBA, software can proceed directly to reading from VA_DATA, VA_DATA_INCR, or VA_DATA_INERT:

- If the second read is different from 0x88888888, then the second read returned valid read data (the SBA access was done before the second read was performed).

- If the second read is equal to 0x88888888, then the VA logic may have been busy during the read and additional actions are required: First read the VA_CTRL.VA_BUSY field until the field is cleared (VA logic is not busy). Then read VA_DATA_INERT. If VA_DATA_INERT returns 0x88888888, then read-data is actually 0x88888888, continue to the next read. Otherwise, repeat the last read from VA_DATA, VA_DATA_INCR, or VA_DATA_INERT and then continue to the next read from there.

Optimized reading can be used for single read and sequential read access. For sequential reads, the VA_ADDR is only incremented on successful (non-busy) reads.

5.5.5 Mailbox and Semaphores

This section provides information about the semaphores and mailbox features for CPU to CPU communication. The following table lists the registers associated with mailbox and semaphores.

Table 245 • Mailbox and Semaphore Registers

Register	Description
DEVCPU_ORG::MAILBOX_SET	Atomic set of bits in the mailbox register.
DEVCPU_ORG::MAILBOX_CLR	Atomic clear of bits in the mailbox register.
DEVCPU_ORG::MAILBOX	Current mailbox state.
DEVCPU_ORG::SEMA_CFG	Configuration of semaphore interrupts.
DEVCPU_ORG::SEMA0	Taking of semaphore 0.
DEVCPU_ORG::SEMA1	Taking of semaphore 1.
DEVCPU_ORG::SEMA0_OWNER	Current owner of semaphore 0.
DEVCPU_ORG::SEMA1_OWNER	Current owner of semaphore 1.

The mailbox is a 32-bit register that can be set and cleared atomically using any CPU interface (including the VCore-III CPU). The MAILBOX register allows reading (and writing) of the current mailbox value. Atomic clear of individual bits in the mailbox register is done by writing a mask to MAILBOX_CLR. Atomic setting of individual bits in the mailbox register is done by writing a mask to MAILBOX_SET.

The devices implement two independent semaphores. The semaphores are part of the Switch Core Register Bus (CSR) block and are accessible by means of the fast switch core registers. Semaphore ownership can be taken by interfaces attached to the CSR. That is, the VCore-III, VRAP, SI, and MIIM can be granted ownership. The VCore-III CPU and PCIe interface share the same semaphore, because they both access the CSR through the switch core access block.

Any CPU attached to an interface can attempt to take a semaphore *n* by reading SEMA0.SEMA0 or SEMA1.SEMA1. If the result is 1, the corresponding semaphore was successfully taken and is now owned by that interface. If the result is 0, the semaphore was not free. After a successfully taking a semaphore, all additional reads from the corresponding register will return 0. To release a semaphore write 1 to SEMA0.SEMA0 or SEMA1.SEMA1.

Any interface can release semaphores; it does not have to be the one that has taken the semaphore. This allows implementation of handshaking protocols.

The current status for a semaphore is available in SEMA0_OWNER.SEMA0_OWNER and SEMA1_OWNER.SEMA1_OWNER. See register description for encoding of owners.

Software interrupt is generated when semaphores are free or taken. Interrupt polarity is configured through SEMA_CFG.SEMA_INTR_POL. Semaphore 0 is hooked up to SW0 interrupt and semaphore 1 is hooked up to SW1 interrupt. For configuration of software-interrupt, see Interrupt Controller.

In addition to interrupting on semaphore state, software interrupt can be manually triggered by writing directly to the ICPU_CFG::INTR_FORCE register.

Software interrupts (SW0 and SW1) can be individually mapped to either the VCore-III CPU or to external interrupt outputs (to an external CPU).

5.6 PCIe Endpoint Controller

The devices implement a single-lane PCIe 1.x endpoint that can be hooked up to any PCIe capable system. Using the PCIe interface, an external CPU can access (and control) the devices. Ethernet frames can be injected and extracted using registers or the devices can be configured to DMA Ethernet frames autonomously to/from PCIe memory. The device's DDR3/DDR3L memory is available through the PCIe interface, allowing the external CPU full read and write access to DDR3/DDR3L modules attached to the devices. The DDR3/DDR3L controller and memory modules can be initialized either by PCIe or by the VCore-III CPU.

Both the VCore-III CPU and Frame DMA can generate PCIe read/write requests to any 32-bit or 64-bit memory region in PCIe memory space. However, it is up to software running on an external CPU to set up or communicate the appropriate PCIe memory mapping information to the devices.

The defaults for the endpoints capabilities region and the extended capabilities region are listed in the registers list's description of the PCIE registers. The most important parameters are:

- Vendor (and subsystem vendor) ID: 0x101B, Microsemi
- Device ID: 0xB003, device family ID
- Revision ID: 0x00, device family revision ID
- Class Code: 0x028000, Ethernet Network controller
- Single function, non-Bridge, INTA and Message Signaled Interrupt (MSI) capable device

The device family 0xB003 covers several register compatible devices, the software driver must determine actual device ID and revision by reading DEVCPU_GCB::CHIP_ID from the device's memory mapped registers region.

For information about base address registers, see Base Address Registers, Inbound Requests.

The IDs, class code, revision ID, and base address register setups can be customized before enabling the PCIe endpoint. However, it requires a manual bring-up procedure by software running locally on the VCore-III CPU. For more information, see Enabling the Endpoint.

The endpoint is power management capable and implements PCI Bus Power Management Interface Specification Revision 1.2. For more information, see Power Management.

The endpoint is MSI capable. Up to four 64-bit messages are supported. Messages can be generated on rising and falling edges of each of the two external VCore-III interrupt destinations. For more information, see Outbound Interrupts.

For information about all PCI Express capabilities and extended capabilities register defaults, see the PCIE region's register descriptions.

5.6.1 Accessing Endpoint Registers

The root complex accesses the PCIe endpoint's configuration registers by PCIe CfgRd/CfgWr requests. The VCore-III CPU can read configuration registers by means of the PCIE region. For more information, see Chip Register Region. The PCIE region must not be accessed when the PCIe endpoint is disabled.

The PCIe region is used during manual bring-up of PCIe endpoint. By using this region, it is possible to write most of the endpoint's read-only configuration registers, such as Vendor ID. The PCIe endpoint's read-only configuration register values must not be changed after the endpoint is enabled.

The VCore-III has a few dedicated PCIe registers in the ICPU_CFG:PCIE register group. An external CPU attached through the PCIe interface has to go through BAR0 to reach these registers.

5.6.2 Enabling the Endpoint

The PCIe endpoint is disabled by default. It can be enabled automatically or manually by either setting the VCore_CFG strapping pins or by software running in the VCore-III CPU.

The recommended approach is using VCore_CFG strapping pins, because it is fast and does not require special software running on the VCore-III CPU. The endpoint is ready approximately 50 ms after release of the device's nRESET. Until this point, the devices ignore any attempts to do link training, and the PCIe output remains idle (tristated).

By using software running on the VCore-III CPU, it is possible to manually start the PCIe endpoint. Note that PCIe standard specifies a maximum delay from nRESET release to working PCIe endpoint so software must enable the endpoint as part of the boot process.

The root complex must follow standard PCIe procedures for bringing up the endpoint.

5.6.2.1 Manually Starting MAC/PCS and SerDes

This section provides information about how to manually start up the PCIe endpoint and customize selected configuration space parameters.

The following table lists the registers related to manually bringing up PCIe.

Table 246 • Manual PCIe Bring-Up Registers

Register	Description
ICPU_CFG::PCIE_CFG	Disable of automatic link initialization
HSIO::SERDES6G_COMMON_CFG	SERDES configuration
HSIO::SERDES6G_MISC_CFG	SERDES configuration
HSIO::SERDES6G_IB_CFG	SERDES configuration
HSIO::SERDES6G_IB_CFG1	SERDES configuration
HSIO::SERDES6G_SER_CFG	SERDES configuration
HSIO::SERDES6G_OB_CFG1	SERDES configuration
HSIO::SERDES6G_DES_CFG	SERDES configuration
HSIO::SERDES6G_PLL_CFG	SERDES configuration
HSIO::SERDES6G_MISC_CFG	SERDES configuration
HSIO::MCB_SERDES6G_ADDR_CFG	SERDES configuration
PCIE::DEVICE_ID_VENDOR_ID, PCIE::CLASS_CODE_REVISION_ID, PCIE::SUBSYSTEM_ID_SUBSYSTEM_VENDOR_ID	Device parameter customization
PCIE::BAR1, PCIE::BAR2	Base address register customization

To disable automatic link training for PCIe endpoint, perform the following steps.

- SERDES6G_MISC_CFG = 0x00000031.
- SERDES6G_OB_CFG1 = 0x000000B0.
- SERDES6G_DES_CFG = 0x000060A6.
- SERDES6G_IB_CFG = 0x3D57AC37.
- SERDES6G_IB_CFG1 = 0x00110FF0.
- SERDES6G_SER_CFG = 0x00000000.
- SERDES6G_PLL_CFG = 0x00030F00.
- SERDES6G_COMMON_CFG = 0x00014009.
- MCB_SERDES6G_ADDR_CFG = 0x81000000 and wait until bit 31 is cleared.
- SERDES6G_PLL_CFG = 0x00030F20.
- MCB_SERDES6G_ADDR_CFG = 0x81000000 and wait until bit 31 is cleared.
- Wait at least 20 ms.
- SERDES6G_IB_CFG = 0x3D57AC3F.
- SERDES6G_MISC_CFG = 0x00000030.
- MCB_SERDES6G_ADDR_CFG = 0x81000000 and wait until bit 31 is cleared.
- Wait at least 15 ms.
- SERDES6G_IB_CFG = 0x3D57ACBF.
- SERDES6G_IB_CFG1 = 0x00103FF0.
- MCB_SERDES6G_ADDR_CFG = 0x81000000 and wait until bit 31 is cleared.

To optionally disable BAR1:

1. PCIE_CFG.PCIE_BAR_WR_ENA = 1
2. BAR1 = 0x00000000
3. PCIE_CFG.PCIE_BAR_WR_ENA = 0

To optionally increase BAR2 from 128 to 256 megabytes:

1. PCIE_CFG.PCIE_BAR_WR_ENA = 1
2. BAR2 = 0x0FFFFFFF
3. PCIE_CFG.PCIE_BAR_WR_ENA = 0

To optionally change selected PCIe configuration space values:

- Write Vendor ID/Device ID using DEVICE_ID_VENDOR_ID.
- Write Class Code/Revision ID using CLASS_CODE_REVISION_ID.
- Write Subsystem ID/Subsystem Vendor ID using SUBSYSTEM_ID_SUBSYSTEM_VENDOR_ID.

Enable automatic link training for PCIe endpoint

1. PCIE_CFG.LTSSM_DIS = 0

The last step enables the endpoint for link training, and the root complex will then be able to initialize the PCIe endpoint. After this the PCIe parameters must not be changed anymore.

5.6.3 Base Address Registers Inbound Requests

The devices implement three memory regions. Read and write operations using the PCIe are translated directly to read and write access on the SBA. When manually bringing up the PCIe endpoint, BAR1 can be disabled. For more information, see [Manually Starting MAC/PCS and SerDes](#).

Table 247 • Base Address Registers

Register	Description
BAR0, 32-bit, 32 megabytes	Chip registers region. This region maps to the Chip registers region in the SBA address space. See Chip Register Region . This region only supports 32-bit word-aligned reads and writes. Single and burst accesses are supported.
BAR1, 32-bit, 16 megabytes	SI Flash region. This region maps to the SI Flash region in the SBA address space. See SI Flash Region . This region only supports 32-bit word-aligned reads. Single and burst access is supported.
BAR2, 32-bit, 128 megabytes	DDR3/DDR3L region. This region maps to the low 128 megabytes of the DDR3/DDR3L region in the SBA address space. See DDR3/DDR3L Region .

This region support all access types.

To access the BAR1 region, a Flash must be attached to the SI interface of the VSC7442-02, VSC7444-02, VSC7448-02, and VSC7449-02 devices. For information about how to set up I/O timing and to program the Flash through BAR0; the Chip Registers Region, see [SI Boot Controller](#), page 334.

To access the BAR2 region, DDR3/DDR3L modules must be present and initialized. For information about initializing the DDR3/DDR3L controller and modules through BAR0; the Chip Registers, see [DDR3/DDR3L Memory Controller](#). During manual bring up of PCIe, the size of the BAR2 region can be changed to match the size of the attached DDR3/DDR3L modules. For more information, see [Manually Starting MAC/PCS and SerDes](#).

5.6.4 Outbound Interrupts

The devices supports both Message Signaled Interrupt (MSI) and Legacy PCI Interrupt Delivery. The root complex configures the desired mode using the MSI enable bit in the PCIe MSI Capability Register Set. For information about the VCore-III interrupt controller, see [Interrupt Controller](#), page 367.

The following table lists the device registers associated PCIe outbound interrupts.

Table 248 • PCIe Outbound Interrupt Registers

Register	Description
ICPU_CFG::PCIE_INTR_COMMON_CFG	Interrupt mode and enable
ICPU_CFG::PCIE_INTR_CFG	MSI parameters

In legacy mode, one interrupt is supported; select either EXT_DST0 or EXT_DST1 using PCIE_INTR_COMMON_CFG.LEGASY_MODE_INTR_SEL. The PCIe endpoint uses Assert_INTA and Deassert_INTA messages when configured for legacy mode.

In MSI mode, both EXT_DST interrupts can be used. EXT_DST0 is configured through PCIE_INTR_CFG[0] and EXT_DST1 through PCIE_INTR_CFG[1]. Enable message generation on rising and/or falling edges in PCIE_INTR_CFG[n].INTR_RISING_ENA and PCIE_INTR_CFG[n].INTR_FALLING_ENA. Different vectors can be generated for rising and falling edges, configure these through PCIE_INTR_CFG[n].RISING_VECTOR_VAL and PCIE_INTR_CFG[n].FALLING_VECTOR_VAL. Finally, each EXT_DST interrupt must be given an appropriate traffic class via PCIE_INTR_CFG[n].TRAFFIC_CLASS.

After the root complex has configured the PCIe endpoint's MSI Capability Register Set and the external CPU has configured how interrupts from the VCore-III interrupt controller are propagated to PCIe, interrupts must then be enabled by setting PCIE_INTR_COMMON_CFG.PCIE_INTR_ENA.

5.6.5 Outbound Access

After the PCIe endpoint is initialized, outbound read/write access to PCIe memory space is initiated by reading or writing the SBA's PCIe DMA region.

The following table lists the device registers associated with PCIe outbound access.

Table 249 • Outbound Access Registers

Register	Description
ICPU_CFG::PCIESLV_SBA	Configures SBA outbound requests.
ICPU_CFG::PCIESLV_FDMA	Configures FDMA outbound requests.
PCIE::ATU_REGION	Select active region for the ATU_* registers.
PCIE::ATU_CFG1	Configures TLP fields.
PCIE::ATU_CFG2	Enable address translation.
PCIE::ATU_TGT_ADDR_LOW	Configures outbound PCIe address.
PCIE::ATU_TGT_ADDR_HIGH	Configures outbound PCIe address.

The PCIe DMA region is 1 gigabyte. Access in this region is mapped to any 1 gigabyte region in 32-bit or 64-bit PCIe memory space by using address translation. Two address translation regions are supported. The recommended approach is to configure the first region for SBA outbound access and the second region for FDMA outbound access.

Address translation works by taking bits [29:0] from the SBA/FDMA address, adding a configurable offset, and then using the resulting address to access into PCIe memory space. Offsets are configurable in steps of 64 kilobytes in the ATU_TGT_ADDR_HIGH and ATU_TGT_ADDR_LOW registers.

The software on the VCore-III CPU (or other SBA masters) can dynamically reconfigure the window as needed; however, the FDMA does not have that ability, so it must be disabled while updating the 1 gigabyte window that is set up for it.

Note: Although the SBA and FDMA both access the PCIe DMA region by addresses 0xC0000000 through 0xFFFFFFFF, the PCIe address translation unit can differentiate between these accesses and apply the appropriate translation.

5.6.5.1 Outbound SBA Translation Region Configuration

Configure PCIESLV_SBA.SBA_OFFSET = 0 and select address translation region 0 by writing ATU_REGION.ATU_IDX = 0. Set PCIE::ATU_BASE_ADDR_LOW.ATU_BASE_ADDR_LOW = 0x0000 and PCIE::ATU_LIMIT_ADDR.ATU_LIMIT_ADDR = 0x3FFF.

The following table lists the appropriate PCIe headers that must be configured before using the SBA's PCIe DMA region. Remaining header fields are automatically handled.

Table 250 • PCIe Access Header Fields

Header Field	Register::Fields
Attributes	ATU_CFG1.ATU_ATTR
Poisoned Data	PCIESLV_SBA.SBA_EP
TLP Digest Field Present	ATU_CFG1.ATU_TD
Traffic Class	ATU_CFG1.ATU_TC
Type	ATU_CFG1.ATU_TYPE
Byte Enables	PCIESLV_SBA.SBA_BE
Message Code	ATU_CFG2.ATU_MSG_CODE

Configure the low address of the destination window in PCIe memory space as follows:

- Set ATU_TGT_ADDR_HIGH.ATU_TGT_ADDR_HIGH to bits [63:32] of the destination window. Set to 0 when a 32-bit address must be generated.
- Set ATU_TGT_ADDR_LOW.ATU_TGT_ADDR_LOW to bits [31:16] of the destination window. This field must not be set higher than 0xC000.

Enable address translation by writing ATU_CFG2.ATU_REGION_ENA = 1. SBA access in the PCIe DMA region is then mapped to PCIe memory space as defined by ATU_TGT_ADDR_LOW and ATU_TGT_ADDR_HIGH.

The header fields and the PCIe address fields can be reconfigured on-the-fly as needed; however, set ATU_REGION.ATU_IDX to 0 to ensure that the SBA region is selected.

5.6.5.2 Configuring Outbound FDMA Translation Region

Configure PCIESLV_FDMA.FDMA_OFFSET = 1, and select address translation region 1 by writing ATU_REGION.ATU_IDX = 1.

Set PCIE::ATU_BASE_ADDR_LOW.ATU_BASE_ADDR_LOW = 0x4000 and PCIE::ATU_LIMIT_ADDR.ATU_LIMIT_ADDR = 0x7FFF.

The FDMA PCIe header must be MRd/MWr type, reorderable, cache-coherent, and without ECRC. Remaining header fields are automatically handled.

Table 251 • FDMA PCIe Access Header Fields

Header Field	Register::Fields	Suggested Value
Attributes	ATU_CFG1.ATU_ATTR	Set to 2
TLP Digest Field Present	ATU_CFG1.ATU_TD	Set to 0
Traffic Class	ATU_CFG1.ATU_TC	Use an appropriate traffic class
Type	ATU_CFG1.ATU_TYPE	Set to 0

Configure low address of destination window in PCIe memory space as follows:

- Set ATU_TGT_ADDR_HIGH.ATU_TGT_ADDR_HIGH to bits [63:32] of the destination window. Set to 0 when a 32-bit address must be generated.

- Set ATU_TGT_ADDR_LOW.ATU_TGT_ADDR_LOW to bits [31:16] of the destination window. This field must not be set higher than 0xC000.

Enable address translation by writing ATU_CFG2.ATU_REGION_ENA = 1. The FDMA can be configured to make access in the 0xC0000000 - 0xFFFFFFFF address region. These accesses will then be mapped to PCIe memory space as defined by ATU_TGT_ADDR_LOW and ATU_TGT_ADDR_HIGH. The FDMA must be disabled if the address window needs to be updated.

5.6.6 Power Management

The device's PCIe endpoint supports D0, D1, and D3 device power-management states and associated link power-management states. The switch core does not automatically react to changes in the PCIe endpoint's power management states. It is, however, possible to enable a VCore-III interrupt on device power state changes and then have the VCore-III CPU software make application-specific changes to the device operation depending on the power management state.

Table 252 • Power Management Registers

Register	Description
ICPU_CFG::PCIE_STAT	Current power management state
ICPU_CFG::PCIEPCS_CFG	Configuration of WAKE output and beacon
ICPU_CFG::PCIE_INTR	PCIe interrupt sticky events
ICPU_CFG::PCIE_INTR_ENA	Enable of PCIe interrupts
ICPU_CFG::PCIE_INTR_IDENT	Currently interrupting PCIe sources
ICPU_CFG::PCIE_AUX_CFG	Configuration of auxiliary power detection

Because the devices do not implement a dedicated auxiliary power for the PCIe endpoint, the endpoint is operated from the VDD core power supply. Before the power management driver initializes the device, software can “force” auxiliary power detection by writing PCIE_AUX_CFG = 3, which causes the endpoint to report that it is capable of emitting Power Management Events (PME) messages in the D3c state.

The current device power management state is available using PCIE_STAT.PM_STATE. A change in this field's value sets the PCIE_INTR.INTR_PM_STATE sticky bit. To enable this interrupt, set PCIE_INTR_ENA.INTR_PM_STATE_ENA. The current state of the PCIe endpoint interrupt towards the VCore-III interrupt controller is shown in PCIE_INTR_IDENT register (if different from zero, then interrupt is active).

The endpoint can emit PMEs if the PME_En bit is set in the PM Capability Register Set and if the endpoint is in power-down mode.

- Outbound request from either SBA or FDMA trigger PME.
- A change in status for an enabled outbound interrupt (either legacy or MSI) triggers PME. This feature can be disabled by setting ICPU_CFG::PCIE_INTR_COMMON_CFG.WAKEUP_ON_INTR_DIS.

In the D3 state, the endpoint transmits a beacon. The beacon function can be disabled and instead drive the WAKE output using the overlaid GPIO function. For more information about the overlaid function on the GPIO for this signal, see [GPIO Overlaid Functions](#), page 354.

Table 253 • PCIe Wake Pin

Pin Name	I/O	Description
PCIe_WAKE/GPIO	O	PCIe WAKE output

Enable WAKE by setting PCIEPCS_CFG.BEACON_DIS. The polarity of the WAKE output is configured in PCIEPCS_CFG.WAKE_POL. The drive scheme is configured in PCIEPCS_CFG.WAKE_OE.

5.6.7 Device Reset Using PCIe

The built-in PCIe reset mechanism in the PCIe endpoint resets only the PCIe MAC. The device reset is not tied into the MAC reset. To reset the complete the device, use the following procedure.

1. Save the state of the PCIe controller registers using operating system.
2. Set DEVCPU_GCB::SOFT_RST.SOFT_CHIP_RST.
3. Wait for 100 ms.
4. Recover state of PCIe controller registers using operating system.

Setting SOFT_CHIP_RST will cause re-initialization of the device.

5.7 Frame DMA

This section describes the Frame DMA engine (FDMA). When FDMA is enabled, Ethernet frames can be extracted or injected autonomously to or from the device's DDR3/DDR3L memory and/or PCIe memory space. Linked list data structures in memory are used for injecting or extracting Ethernet frames. The FDMA generates interrupts when frame extraction or injection is done and when the linked lists needs updating.

Table 254 • FDMA Registers

Register	Description
DEVCPU_QS::XTR_GRP_CFG	CPU port ownership, extraction direction.
DEVCPU_QS::INJ_GRP_CFG	CPU port ownership, injection direction.
DEVCPU_QS::INJ_CTRL	Injection EOF to SOF spacing.
ASM::PORT_CFG	Enables IFH and disables FCS recalculation (for injected frames).
SYS::PORT_MODE	Enables IFH for extraction frames.
ICPU_CFG::FDMA_CH_CFG	Channel configuration, priorities, and so on.
ICPU_CFG::FDMA_CH_ACTIVATE	Enables channels.
ICPU_CFG::FDMA_CH_DISABLE	Disables channels.
ICPU_CFG::FDMA_CH_STAT	Status for channels.
ICPU_CFG::FDMA_CH_SAFE	Sets when safe to update channel linked lists.
ICPU_CFG::FDMA_DCB_LLP	Linked list pointer for channels.
ICPU_CFG::FDMA_DCB_LLP_PREV	Previous linked list pointer for channels.
ICPU_CFG::FDMA_CH_CNT	Software counters for channels.
ICPU_CFG::FDMA_INTR_LLP	NULL pointer event for channels.
ICPU_CFG::FDMA_INTR_LLP_ENA	Enables interrupt on NULL pointer event.
ICPU_CFG::FDMA_INTR_FRM	Frame done event for channels.
ICPU_CFG::FDMA_INTR_FRM_ENA	Enables interrupt on frame done event.
ICPU_CFG::FDMA_INTR_SIG	SIG counter incremented event for channels.
ICPU_CFG::FDMA_INTR_SIG_ENA	Enables interrupt on SIG counter event.
ICPU_CFG::MANUAL_INTR	Manual injection/extraction events.
ICPU_CFG::MANUAL_INTR_ENA	Enables interrupts on manual injection/extraction events.
ICPU_CFG::FDMA_EVT_ERR	Error event for channels.
ICPU_CFG::FDMA_EVT_ERR_CODE	Error event description.
ICPU_CFG::FDMA_INTR_ENA	Enables interrupt for channels.
ICPU_CFG::FDMA_INTR_IDENT	Currently interrupting channels.

Table 254 • FDMA Registers (continued)

Register	Description
DEVCPU_QS::XTR_FRM_PRUNING	Enables pruning of extraction frames.
ICPU_CFG::FDMA_CH_INJ_TOKEN_CNT	Injection tokens.
ICPU_CFG::FDMA_CH_INJ_TOKEN_TICK_RLD	Periodic addition of injection tokens.
ICPU_CFG::MANUAL_CFG	Configures manual injection/extraction.
ICPU_CFG::MANUAL_XTR	Memory region used for manual extraction.
ICPU_CFG::MANUAL_INJ	Memory region used for manual injection.
DEVCPU_QS::INJ_CTRL	Configures injection gap.
ICPU_CFG::FDMA_GCFG	Configures injection buffer watermark.

The FDMA implements two extraction channels per CPU port and a total of eight injection channels. Extraction channels are hard-coded per CPU port, and injection channels can be individually assigned to any CPU port.

- FDMA channel 0 corresponds to port 53 (group 0) extraction direction.
- FDMA channel 1 corresponds to port 54 (group 1) extraction direction.
- FDMA channel 2 through 9 corresponds to port 53 (group 0) injection direction when FDMA_CH_CFG[channel].CH_INJ_GRP is set to 0.
- FDMA channel 2 through 9 corresponds to port 54 (group 1) injection direction when FDMA_CH_CFG[channel].CH_INJ_GRP is set to 1.

The FDMA implements a strict priority scheme. Injection and extraction channels can be assigned individual priorities, which are used when the FDMA has to decide between servicing two or more channels. Channel priority is configured in FDMA_CH_CFG[ch].CH_PRIO. When channels have same priority, the higher channel number takes priority over the lower channel number.

When more than one injection channel is enabled for injection on the same CPU port, then priority determines which channel that is allowed to inject data. Ownership is re-arbitrated on frame boundaries.

The internal frame header is added in front of extracted frames and provides useful switching information about the extracted frames.

Injection frames requires an internal frame header for controlling injection parameters. The internal frame header is added in front of frame data. The devices recalculate and overwrite the Ethernet FCS for frames that are injected via the CPU when requested by setting in the internal frame header.

For more information about the extraction and injection IFH, see [Frame Headers](#), page 14.

The FDMA supports a manual mode where the FDMA decision logic is disabled and the FDMA takes and provides data in the order that was requested by an external master (internal or external CPU). The manual mode is a special case of normal FDMA operation where only few of the FDMA features apply. For more information about manual operation, see Manual Mode.

The following configuration must be performed before enabling FDMA extraction: Set XTR_GRP_CFG[group].MODE = 2.

The following configurations must be performed before enabling FDMA injection: Set INJ_GRP_CFG[group].MODE = 2. Set INJ_CTRL[group].GAP_SIZE = 0, set PORT_CFG[port].INJ_FORMAT_CFG = 1, set PORT_CFG[port].NO_PREAMBLE_ENA = 1, and set PORT_CFG[port].VSTAX2_AWR_ENA = 0.

5.7.1 DMA Control Block Structures

The FDMA processes linked lists of DMA Control Block Structures (DCBs). The DCBs have the same basic structure for both injection or for extraction. A DCB must be placed on a 32-bit word-aligned address in memory. Each DCB must have an associated data block that is placed on a 32-bit word aligned address in memory, the length of the data block must be a complete number of 32-bit words.

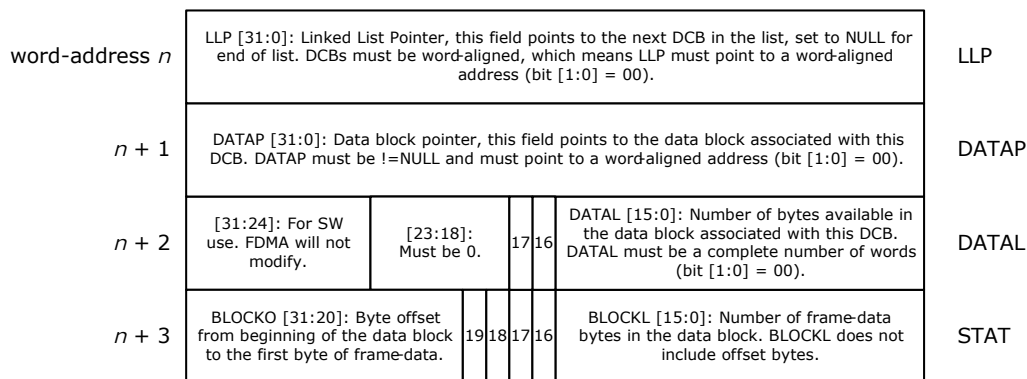
An Ethernet frame can be contained inside one data block (if the data block is big enough) or the frame can be spread across multiple data blocks. A data block never contains more than one Ethernet frame. Data blocks that contain start-of-frame have set a special bit in the DCB's status word, likewise for data blocks that contains end of frame. The FDMA stores or retrieves Ethernet frame data in network order. This means that the data at byte address (n) of a frame was received just before the data at byte address ($n + 1$).

Frame data inside the DCB's associated data blocks can be placed at any byte offset and have any byte length as long as byte offset and length does not exceed the size of the data block. Byte offset and length is configured using special fields inside the DCB status word. Software can specify offset both when setting up extraction and injection DCBs. Software only specifies length for injection DCBs; the FDMA automatically calculates and updates length for extraction.

Example If a DCB's status word has block offset 5 and block length 2, then the DCB's data block contains two bytes of frame data placed at second and third bytes inside the second 32-bit word of the DCB's associated data block.

DCBs are linked together by the DCB's LLP field. The last DCB in a chain must have LLP = NULL. Chains consisting of a single DCB are allowed.

Figure 99 • FDMA DCB Layout



STAT[16] SOF: Set to 1 if data block contains start of frame.

STAT[17] EOF: Set to 1 if data block contains end of frame.

STAT[18] ABORT: Abort indication.

Extraction: Set to 1 if the frame associated with the data block was aborted.

Injection: If set to 1 when FDMA loads the DCB, it aborts the frame associated with the data block.

STAT[19] PD: Pruned/Done indication.

Extraction: Set to 1 if the frame associated with the data block was pruned.

Injection: The FDMA set this to 1 when done processing the DCB. If set to 1 when FDMA loads the DCB, it is treated as ABORT.

DATAL[16] SIG: If set to 1 when FDMA loads the DCB, the CH_CNT_SIG counter is incremented by one.

DATAL[17] TOKEN: Token indication, only used during injection.

If set to 1, the FDMA uses one token (CH_INJ_TOKEN_CNT) when injecting the contents of the DCB. If the token counter is 0 when loading the DCB, then injection is postponed until tokens are made available.

5.7.2 Enabling and Disabling FDMA Channels

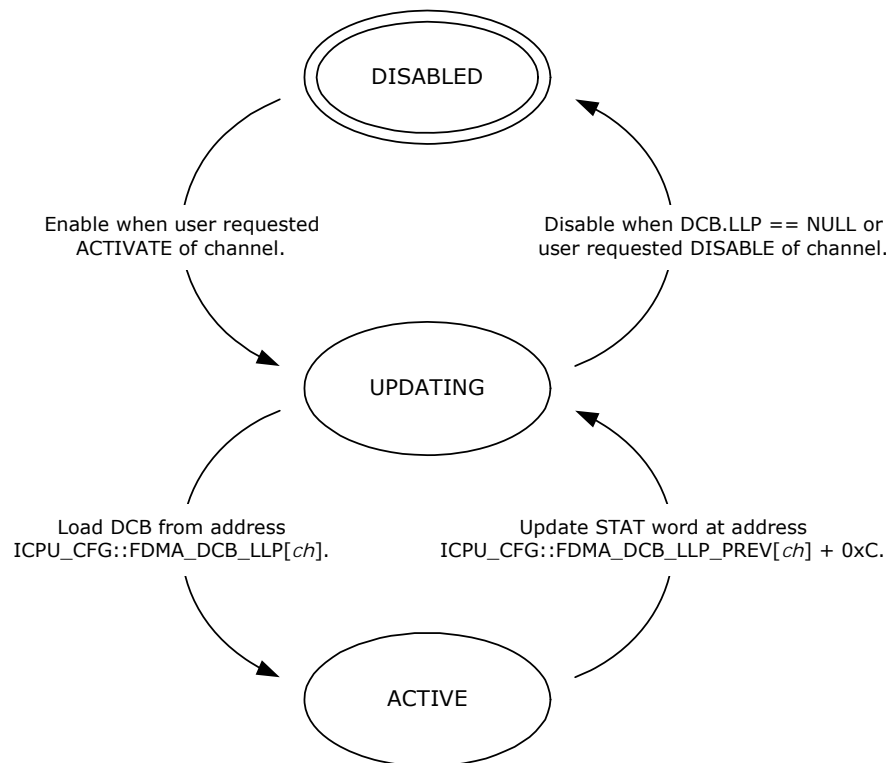
To enable a channel (ch), write a valid DCB pointer to FDMA_DCB_LLP[ch] and enable the channel by setting FDMA_CH_ACTIVATE.CH_ACTIVATE[ch]. This makes the FDMA load the DCB from memory and start either injection or extraction.

To schedule a channel for disabling, set FDMA_CH_DISABLE.CH_DISABLE[ch]. An active channel does not disable immediately. Instead it waits until the current data block is done, saves the status word, and then disables.

Channels can be in one of three states: DISABLED, UPDATING, or ACTIVE. Channels are DISABLED by default. When the channel is reading a DCB or writing the DCB status word, it is considered to be UPDATING. The status of individual channels is available in FDMA_CH_STAT.CH_STAT[ch].

The following illustration shows the FDMA channel states.

Figure 100 • FDMA Channel States



A channel that has `FDMA_DCB_LLP[ch].DCB_LLP==NULL` when going from ACTIVE to UPDATING disables itself instead of loading a new DCB. After this it can be re-enabled as previously described. Extraction channels emit an `INTR_LLP`-event when loading a DCB with `LLP==NULL`. Injection channels emit an `INTR_LLP`-event when saving status for a DCB that has the `LLP==NULL`.

Note: Extraction channel running out of DCBs during extraction is a problem that software must avoid. A hanging extraction channel will potentially be head-of-line blocking other extraction channels.

It is possible to update an active channels LLP pointer and pointers in the DCB chains. Before changing pointers software must schedule the channel for disabling (by writing `FDMA_CH_DISABLE.CH_DISABLE[ch]`) and then wait for the channel to set `FDMA_CH_SAFE.CH_SAFE[ch]`. When the pointer update is complete, soft must re-activate the channel by setting `FDMA_CH_ACTIVATE.CH_ACTIVATE[ch]`. Setting activate will cancel the deactivate-request, or if the channel has disabled itself in the meantime, it will re activate the channel.

Note: The address of the current DCB is available in `FDMA_DCB_LLP_PREV[ch]`. This information is useful when modifying pointers for an active channel. The FDMA does not reload the current DCB when re-activated, so if the LLP-field of the current DCB is modified, then software must also modify `FDMA_DCB_LLP[ch]`.

Setting `FDMA_CH_CFG[ch].DONEEOF_STOP_ENA` disables an FDMA channel and emits LLP-event after saving status for DCBs that contains EOF (after extracting or injecting a complete frame). Setting `FDMA_CH_CFG[ch].DONE_STOP_ENA` disables an FDMA channel and emits LLP-event after saving status for any DCB.

5.7.3 Channel Counters

The FDMA implements three counters per channel: SIG, DCB, and FRM. These counters are accessible through `FDMA_CH_CNT[ch].CH_CNT_SIG`, `FDMA_CH_CNT[ch].CH_CNT_DCB`, and `FDMA_CH_CNT[ch].CH_CNT_FRM`, respectively. For more information about how to safely modify these counters, see the register descriptions.

- The SIG (signal) counter is incremented by one each time the FDMA loads a DCB that has the `DATAL.SIG` bit set to 1.

- The FRM (frame) counter is incremented by one each time the FDMA store status word for DCB that has EOF set. It is a wrapping counter that can be used for software driver debug and development. This counter does not count aborted frames.
- The DCB counter is incremented by one every time the FDMA loads a DCB from memory. It is a wrapping counter that can be used for software driver debug and development.

It is possible to enable channel interrupt whenever the SIG counter is incremented; this makes it possible for software to receive interrupt when the FDMA reaches certain points in a DCB chain.

5.7.4 FDMA Events and Interrupts

Each FDMA channel can generate four events: LLP-event, FRM-event, SIG-event, and ERR-event. These events cause a bit to be set in `FDMA_INTR_LLQ.INTR_LLQ[ch]`, `FDMA_INTR_FRM.INTR_FRM[ch]`, `FDMA_INTR_SIG.INTR_SIG[ch]`, and `FDMA_EVT_ERR.EVT_ERR[ch]`, respectively.

- LLP-event occurs when an extraction channel loads a DCB that has `LLP = NULL` or when an injection channel writes status for a DCB that has `LLP=NULL`. LLP-events are also emitted from channels that have `FDMA_CH_CFG[ch].DONEEOF_STOP_ENA` or `FDMA_CH_CFG[ch].DONE_STOP_ENA` set. For more information, see Enabling and Disabling FDMA Channels.
- FRM-event is indicated when an active channel loads a new DCB and the previous DCB had EOF. The FRM-event is also indicated for channels that are disabled after writing DCB status with EOF.
- SIG-event is indicated whenever the `FDMA_CH_CNT[ch].CH_CNT_SIG` counter is incremented. The SIG (signal) counter is incremented when loading a DCB that has the `DATAL.SIG` bit set.
- ERR-event is an error indication that is set for a channel if it encounters an unexpected problem during normal operation. This indication is implemented to ease software driver debugging and development. A channel that encounters an error will be disabled, depending on the type of error the channel state may be too corrupt for it to be restarted without system reset. When an ERR-event occurs, the `FDMA_EVT_ERR_CODE.EVT_ERR_CODE` shows the exact reason for an ERR-event. For more information about the errors that are detected, see `FDMA_EVT_ERR_CODE.EVT_ERR_CODE`.

Each of the events (LLP, FRM, SIG) can be enabled for channel interrupt through `FDMA_INTR_LLQ_ENA.INTR_LLQ_ENA[ch]`, `FDMA_INTR_FRM_ENA.INTR_FRM_ENA[ch]`, and `FDMA_INTR_SIG.INTR_SIG[ch]` respectively. The ERR event is always enabled for channel interrupt.

The highest numbered extraction channel supports two additional non-sticky events related to manual extraction: `XTR_SOF_RDY`-event and `XTR_ANY_RDY`-event. An active event causes the following fields to be set: `MANUAL_INTR.INTR_XTR_SOF_RDY` and `MANUAL_INTR.INTR_XTR_ANY_RDY` respectively. For more information, see Manual Extraction.

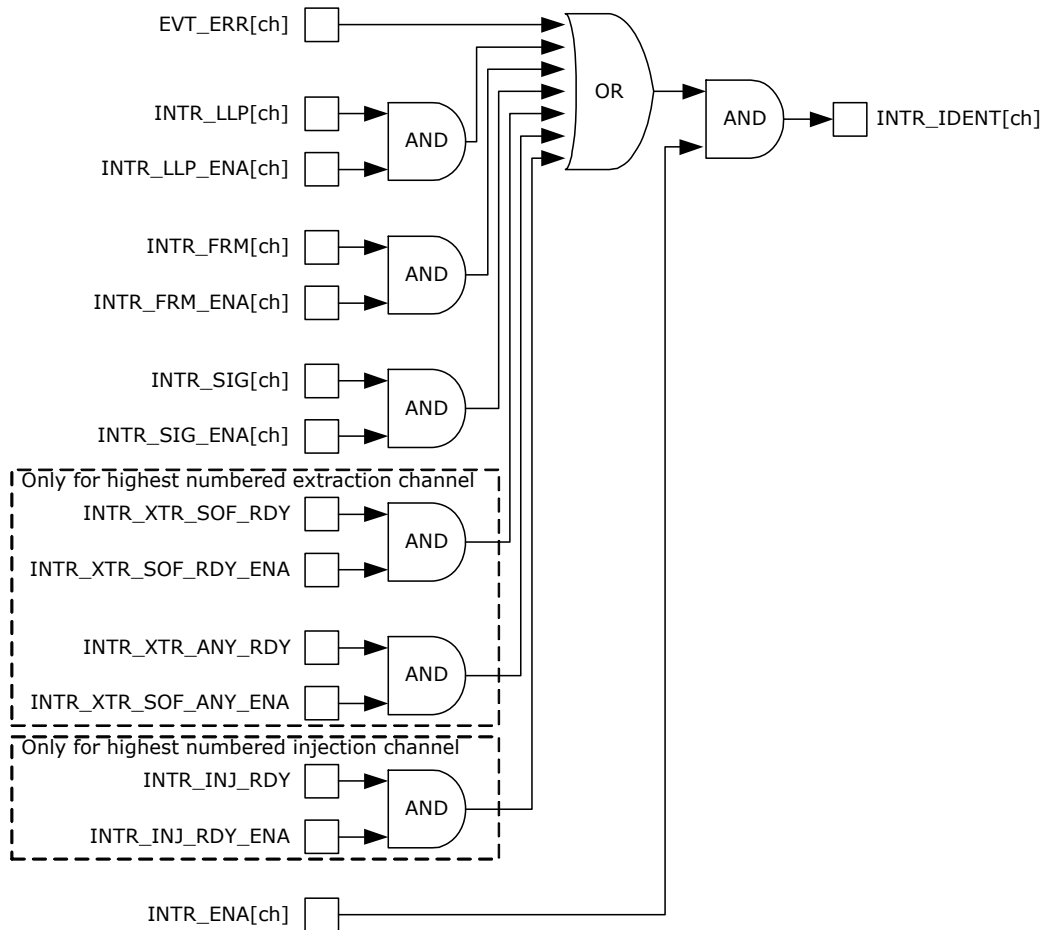
- `XTR_SOF_RDY`-event is active when the next word to be manually extracted contains an SOF indication. This event is enabled in `MANUAL_INTR_ENA.INTR_XTR_SOF_RDY_ENA`.
- `XTR_ANY_RDY`-event is active when any word is available for manually extraction. This event is enabled in `MANUAL_INTR_ENA.INTR_XTR_ANY_RDY_ENA` respectively.

The highest numbered injection channel supports one additional non-sticky event related to manual injection: `INJ_RDY`-event. This event is active when the injection logic has room for (at least) sixteen 32-bit words of injection frame data. When this event is active, `MANUAL_INTR.INTR_INJ_RDY` is set. The `INJ_RDY`-event can be enabled for channel interrupt by setting `MANUAL_INTR_ENA.INTR_INJ_RDY_ENA`. For more information, see Manual Injection.

The `FDMA_INTR_ENA.INTR_ENA[ch]` field enables interrupt from individual channels, `FDMA_INTR_IDENT.INTR_IDENT[ch]` field shows which channels that are currently interrupting. While `INTR_IDENT` is non-zero, the FDMA is indicating interrupting towards to the VCore-III interrupt controller.

The following illustration shows the FDMA channel interrupt hierarchy.

Figure 101 • FDMA Channel Interrupt Hierarchy



5.7.5 FDMA Extraction

During extraction, the FDMA extracts Ethernet frame data from the Queuing System and saves it into the data block of the DCB that is currently loaded by the FDMA extraction channel. The FDMA continually processes DCBs until it reaches a DCB with LLP = NULL or until it is disabled.

When an extraction channel writes the status word of a DCB, it updates SOF/EOF/ABORT/PRUNED-indications and BLOCKL. BLOCKO remains unchanged (write value is taken from the value that was read when the DCB was loaded).

Aborting frames from the queuing system will not occur during normal operation. If the queuing system is reset during extraction of a particular frame, then ABORT and EOF is set. Software must discard frames that have ABORT set.

Pruning of frames during extraction is enabled per extraction port through XTR_FRM_PRUNING[group].PRUNE_SIZE. When enabled, Ethernet frames above the configured size are truncated, and PD and EOF is set.

5.7.6 FDMA Injection

During injection, the FDMA reads Ethernet frame data from the data block of the DCB that is currently loaded by the FDMA injection channel and injects this into the queuing system. The FDMA continually processes DCBs until it reaches a DCB with LLP = NULL or until it is disabled.

When an injection channel writes the status word of a DCB, it sets DONE indication. All other status word fields remain unchanged (write value is stored the first time the injection channel loads the DCB).

The rate by which the FDMA injects frames can be shaped by using tokens. Each injection channel has an associated token counter (FDMA_CH_INJ_TOKEN_CNT[ich]). A DCB that has the DATAL.TOKEN field set causes the injection channel to deduct one from the token counter before the data block of the DCB can be injected. If the token counter is at 0, the injection channel postpones injection until the channels token counter is set to a value different from 0.

Tokens can be added to the token counter by writing the FDMA_CH_INJ_TOKEN_CNT[ich] register. Tokens can also be added automatically (with a fixed interval) by using the dedicated token tick counter. Setting FDMA_CH_INJ_TOKEN_TICK_RLD[ich] to a value n (different from 0) will cause one token to be added to that injection channel every $n \times 200$ ns.

5.7.7 Manual Mode

The decision making logic of the FDMA extraction path and/or injection paths can be disabled to give control of the FDMA's extraction and/or injection buffers directly to any master attached to the Shared Bus Architecture. When operating in manual mode DCB structure, counters and most of the interrupts do not apply.

Manual extraction and injection use hard-coded channel numbers.

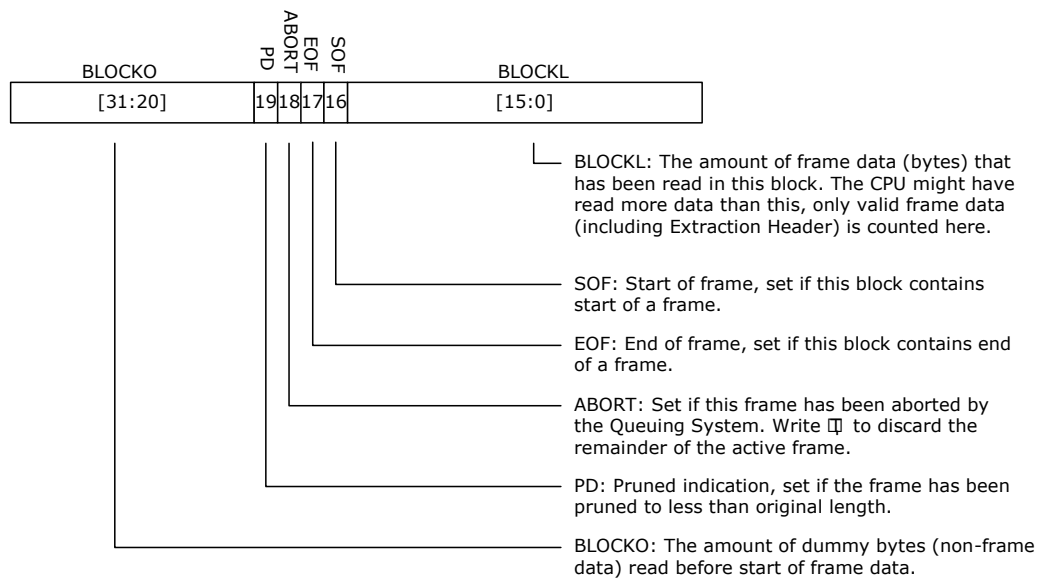
- Manual extraction mode uses FDMA channel 1 (port 54 extraction direction).
- Manual injection mode uses FDMA channel 9 (port 54 injection direction).

To enable manual extraction, set MANUAL_CFG.XTR_ENA. The FDMA must not be enabled for FDMA extraction when manual extraction mode is active. To enable manual injection, set MANUAL_CFG.INJ_ENA and FDMA_CH_CFG[9].CH_INJ_GRP = 1. The FDMA must not be enabled for FDMA injection when manual injection mode is active. Extraction and injection paths are independent. For example, FDMA can control extraction at the same time as doing manual injection by means of the CPU.

5.7.7.1 Manual Extraction

Extraction is done by reading one or more blocks of data from the extraction memory area. A block of data is defined by reading one or more data words followed by reading of the extraction status word. The extraction memory area is 16 kilobytes and is implemented as a replicated register region MANUAL_XTR. The highest register in the replication (0xFFFF) maps to the extraction status word. The status word is updated by the extraction logic and shows the number of frame bytes read, SOF and EOF indications, and PRUNED/ABORT indications.

Note: During frame extraction, the CPU does not know the frame length. This means that the CPU must check for EOF regularly during frame extraction. When reading a data block from the devices, the CPU can burst read from the memory area in such a way that the extraction status word is read as the last word of the burst.

Figure 102 • Extraction Status Word Encoding

The extraction logic updates the extraction status word while the CPU is reading out data for a block. Prior to starting a new data block, the CPU can write the two least significant bits of the BLOCKO field. The BLOCKO value is stored in the extraction logic and takes effect when the new data block is started. Reading the status field always returns the BLOCKO value that applies to the current data block. Unless written (before stating a data block), the BLOCKO is cleared, so by default all blocks have 0 byte offset. The offset can be written multiple times; the last value takes effect.

The CPU can abort frames that it has already started to read out by writing the extraction status field with the ABORT field set. All other status-word fields will be ignored. This causes the extraction logic to discard the active frame and remove it from the queuing system.

Reading of block data does not have to be done in one burst. As long as the status word is not read, multiple reads from the extraction region are treated as belonging to the same block.

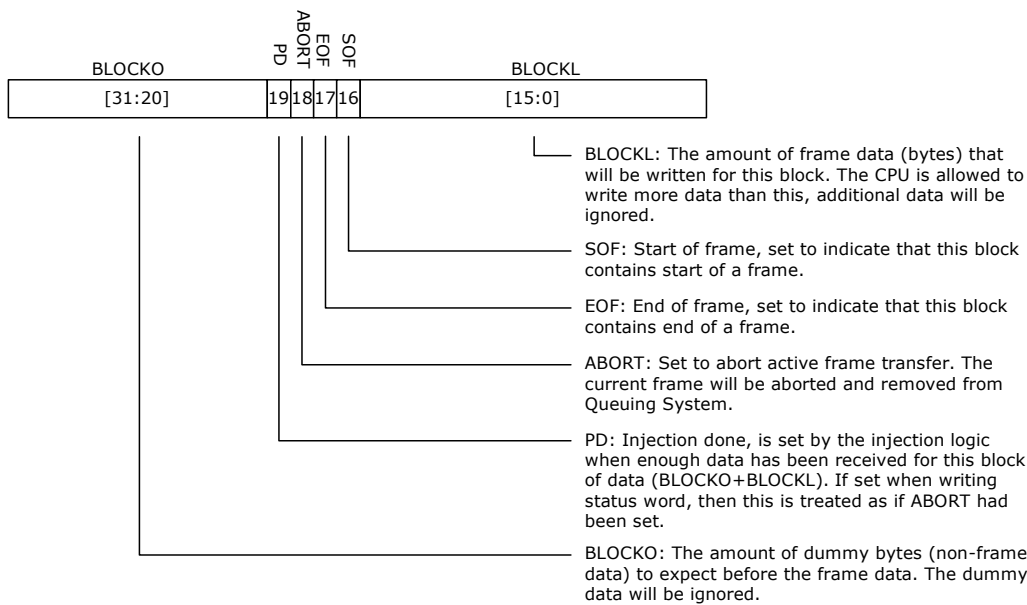
5.7.7.2 Manual Injection

Injection is done by writing one or more blocks of data to the injection memory area. A block of data is defined by writing an injection status word followed by writing one or more data words. The injection memory area is 16 kilobytes and is implemented as a replicated register region MANUAL_INJ. The first register in this replication maps to the injection status word. The status word for each block defines the following:

- Number of bytes to be injected
- Optional byte offset before injection data
- SOF and EOF indications
- Optional ABORT indication

Note: In general, it makes sense to inject frames as a single large block of data (containing both SOF and EOF). However, because offset/length can be specified individually for each block, injecting frames through several blocks is useful when compensating for offset/word misalignment. For example, when building a frame from different memory regions in the CPU main memory.

Figure 103 • Injection Status Word Encoding



Injection logic updates the PD field of the status word. The status word can be read at any time during injection without affecting current data block transfers. However, a CPU is able to calculate how much data that is required to inject a complete block of data (at least BLOCKO + BLOCKL bytes), so reading the status word is for software development and debug only. Writing status word before finishing a previous data block will cause that frame to be aborted. Frames are also aborted if they do not start with SOF or end with EOF indications.

As long as the status word is not written, multiple writes to the injection region are treated as data belonging to the same block. This means multiple bursts of data words can be written between each injection status word update.

Software can abort frames by writing to injection status with ABORT field set. All other status word fields are ignored. When a frame is aborted, the already injected data is removed from the queuing system.

5.8 VCore-III System Peripherals

This section describes the subblocks of the VCore-III system. Although the subblocks are primarily intended to be used by the VCore-III CPU, an external CPU can also access and control them through the shared bus.

5.8.1 SI Boot Controller

The SPI boot master allows booting from a Flash that is connected to the serial interface. For information about how to write to the serial interface, see [SI Master Controller](#), page 336. For information about using an external CPU to access device registers using the serial interface, see [Serial Interface in Slave Mode](#), page 313.

The following table lists the registers associated with the SI boot controller.

Table 255 • SI Boot Controller Configuration Registers

Register	Description
ICPU_CFG::SPI_MST_CFG	Serial interface speed and address width
ICPU_CFG::SW_MODE	Legacy manual control of the serial interface pins
ICPU_CFG::GENERAL_CTRL	SI interface ownership

By default, the SI boot controller operates in 24-bit address mode. In this mode, there are four programmable chip selects when the VCore-III system controls the SI. Each chip select can address up to 16 megabytes (MB) of memory.

Figure 104 • SI Boot Controller Memory Map in 24-Bit Mode

SI Controller Memory Map	
SI Controller +0x01000000	16 MB Chip Select 0, SI_nCS0
+0x02000000	16 MB Chip Select 1, SI_nCS1
+0x03000000	16 MB Chip Select 2, SI_nCS2
	16 MB Chip Select 3, SI_nCS3

The SI boot controller can be reconfigured for 32-bit address mode through SPI_MST_CFG.A32B_ENA. In 32-bit mode, the entire SI region of 256 megabytes (MB) is addressed using chip select 0.

Figure 105 • SI Boot Controller Memory Map in 32-Bit Mode

SI Controller Memory Map (32-bit)	
SI Controller	256 MB Chip Select 0, SI_nCS0

Reading from the memory region for a specific SI chip select generates an SI read on that chip select. The VCore-III CPU can execute code directly from Flash by executing from the SI boot controller's memory region. For 32-bit capable SI Flash devices, the VCore-III must start up in 24-bit mode. During the boot process, it must manually reconfigure the Flash device (and SI boot controller) into 32-bit mode and then continue booting.

The SI boot controller accepts 8-bit, 16-bit, and 32-bit read access with or without bursting. Writing to the SI requires manual control of the SI pins using software. Setting SW_MODE.SW_PIN_CTRL_MODE places all SI pins under software control. Output enable and the value of SI_CLK, SI_DO, SI_nCS n are controlled through the SW_MODE register. The value of the SI_DI pin is available in SW_MODE.SW_SPI_SDI. The software control mode is provided for legacy reasons; new implementations should use the dedicated master controller for writing to the serial interface. For more information see [SI Master Controller](#), page 336.

Note: The VCore-III CPU cannot execute code directly from the SI boot controller's memory region at the same time as manually writing to the serial interface.

The following table lists the serial interface pins when the SI boot controller is configured as owner of SI interface in GENERAL_CTRL.IF_SI_OWNER. For more information about overlaid functions on the GPIOs for these signals, see [GPIO Overlaid Functions](#), page 354.

Table 256 • Serial Interface Pins

Pin Name	I/O	Description
SI_nCS0 SI_nCS[3:1]/GPIO	O	Active low chip selects. Only one chip select can be active at any time. Chip selects 1 through 3 are overlaid functions on GPIO pins.
SI_CLK	O	Clock output.
SI_DO	O	Data output (MOSI).
SI_DI	I	Data input (MISO).

The SI boot controller does speculative prefetching of data. After reading address n , the SI boot controller automatically continues reading address $n + 1$, so that the next value is ready if requested by

the VCore-III CPU. This greatly optimizes reading from sequential addresses in the Flash, such as when copying data from Flash into program memory.

The following illustrations depict 24-bit address mode. When the controller is set to 32-bit mode (through SPI_MST_CFG.A32B_ENA), 32 address bits are transferred instead of 24.

Figure 106 • SI Read Timing in Normal Mode

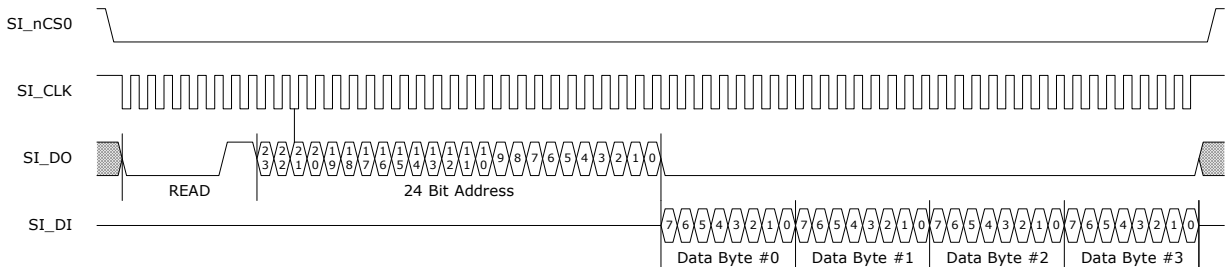
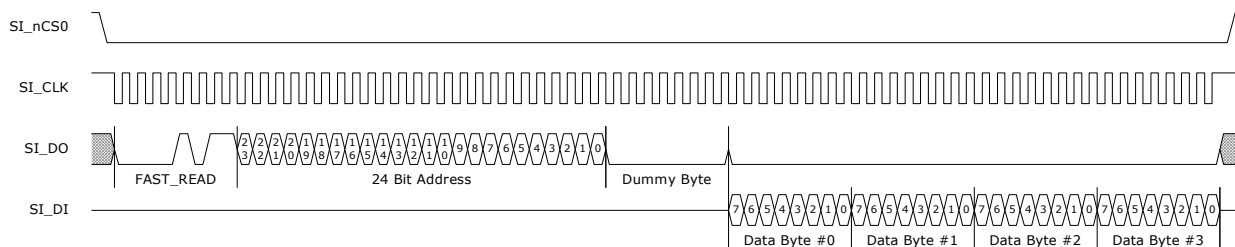


Figure 107 • SI Read Timing in Fast Mode



The default timing of the SI boot controller operates with most serial interface Flash devices. Use the following process to calculate the optimized serial interface parameters for a specific SI device:

1. Calculate an appropriate frequency divider value as described in SPI_MST_CFG.CLK_DIV. The SI operates at no more than 25 MHz, and the maximum frequency of the SPI device must not be exceeded. The VCore-III system frequency in the devices is 250 MHz.
2. The SPI device may require a FAST_READ command rather than normal READ when the SI frequency is increased. Setting SPI_MST_CFG.FAST_READ_ENA makes the SI boot controller use FAST_READ commands.
3. Calculate SPI_MST_CFG.CS_DESELECT_TIME so that it matches how long the SPI device requires chip-select to be deasserted between access. This value depends on the SI clock period that results from the SPI_MST_CFG.CLK_DIV setting.

These parameters must be written to SPI_MST_CFG. The CLK_DIV field must either be written last or at the same time as the other parameters. The SPI_MST_CFG register can be configured while also booting up from the SI.

When the VCore-III CPU boots from the SI interface, the default values of the SPI_MST_CFG register are used until the SI_MST_CFG is reconfigured with optimized parameters. This implies that SI_CLK is operating at approximately 8.1 MHz, with normal read instructions and maximum gap between chip select operations to the Flash.

Note: The SPI boot master does optimized reading. SI_DI (from the Flash) is sampled just before driving falling edge on SI_CLK (to the Flash). This greatly relaxes the round trip delay requirement for SI_CLK to SI_DI, allowing high Flash clock frequencies.

5.8.2 SI Master Controller

This section describes the SPI master controller (SIMC) and how to use it for accessing external SPI slave devices, such as programming of a serially attached Flash device on the boot interface. VCore booting from serial Flash is handled by the SI boot master.

The following table lists the registers associated with the SI master controller.

Table 257 • SI Master Controller Configuration Registers Overview

Register	Description
SIMC::CTRLR0	Transaction configuration
SIMC::CTRLR1	Configurations for receive-only mode
SIMC::SIMCEN	SI master controller enable
SIMC::SER	Slave select configuration
SIMC::BAUDR	Baud rate configuration
SIMC::TXFTLR	Tx FIFO threshold level
SIMC::RXFTLR	Rx FIFO Threshold Level
SIMC::TXFLR	Tx FIFO fill level
SIMC::RXFLR	Rx FIFO fill level
SIMC::SR	Various status indications
SIMC::IMR	Interrupt enable
SIMC::ISR	Interrupt sources
SIMC::RISR	Unmasked interrupt sources
SIMC::TXOICR	Clear of transmit FIFO overflow interrupt
SIMC::RXOICR	Clear of receive FIFO overflow interrupt
SIMC::RXUICR	Clear of receive FIFO underflow interrupt
SIMC::DR	Tx/Rx FIFO access
ICPU_CFG::GENERAL_CTRL	Interface configurations

The SI master controller supports Motorola SPI and Texas Instruments SSP protocols. The default protocol is SPI, enable SSP by setting CTRLR0.FR_F = 1 and GENERAL_CTRL.SSP_MODE_ENA = 1. The protocol baud rate is programmable in BAUDR.SCKDV; the maximum baud rate is 25 MHz.

Before the SI master controller can be used, it must be set as owner of the serial interface. This is done by writing GENERAL_CTRL.IF_SI_OWNER = 2.

The SI master controller has a programmable frame size. The frame size is the smallest unit when transferring data over the SI interface. Using CTRLR0.DFS, the frame size is configured in the range of 4 bits to 16 bits. When reading or writing words from the transmit/receive FIFO, the number of bits that is stored per FIFO-word is always equal to frame size (as programmed in CTRLR0.DFS).

The controller operates in one of three following major modes: Transmit and receive, transmit only, or receive only. The mode is configured in CTRLR0.TMOD.

Transmit and receive. software paces SI transactions. For every data frame that software writes to the transmission FIFO, another data frame is made available in the receive FIFO (receive data from the serial interface). Transaction will go on for as long as there is data available in the transmission FIFO.

Transmit only. Software paces SI transactions. The controller transmits only; receive data is discarded. Transaction will go on for as long as there is data available in the transmission FIFO.

Receive only. The controller paces SI transactions. The controller receives only data, software requests a specific number of data frames by means of CTRLR1.NDF, the transaction will go on until all data frames has been read from the SI interface. Transaction is initiated by software writing one data frame to transmission FIFO. This frame is not used for anything else than starting the transaction. The SI_DO output is undefined during receive only transfers. Receive data frames are put into the receive FIFO as they are read from SI.

For SPI mode, chip select is asserted throughout transfers. Transmit transfers end when the transmit FIFO runs out of data frames. Software must make sure it is not interrupted while writing data for a multiframe transfer. When multiple distinct transfers are needed, wait for SR.TFE = 1 and SR.BUSY = 0 before initiating new transfer. SR.BUSY is an indication of ongoing transfers, however, it is not asserted immediately when writing frames to the FIFO. As a result, software must also check the SR.TFE (transmit FIFO empty) indication.

The SI master controller supports up to 16 chip selects. Chip select 0 is mapped to the SI_nCS pin of the serial interface. The remaining chips selects are available using overlaid GPIO functions. Software controls which chip selects to activate for a transfer using the SER register. For more information about overlaid functions on the GPIOs for these signals, see [GPIO Overlaid Functions](#), page 354.

Table 258 • SI Master Controller Pins

Pin Name	I/O	Description
SI_nCS0 SI_nCS[15:1]/GPIO	O	Active low chip selects. Chip selects 1 through 15 are overlaid functions on the GPIO pins.
SI_CLK	O	Clock output.
SI_DO	O	Data output (MOSI).
SI_DI	I	Data input (MISO).

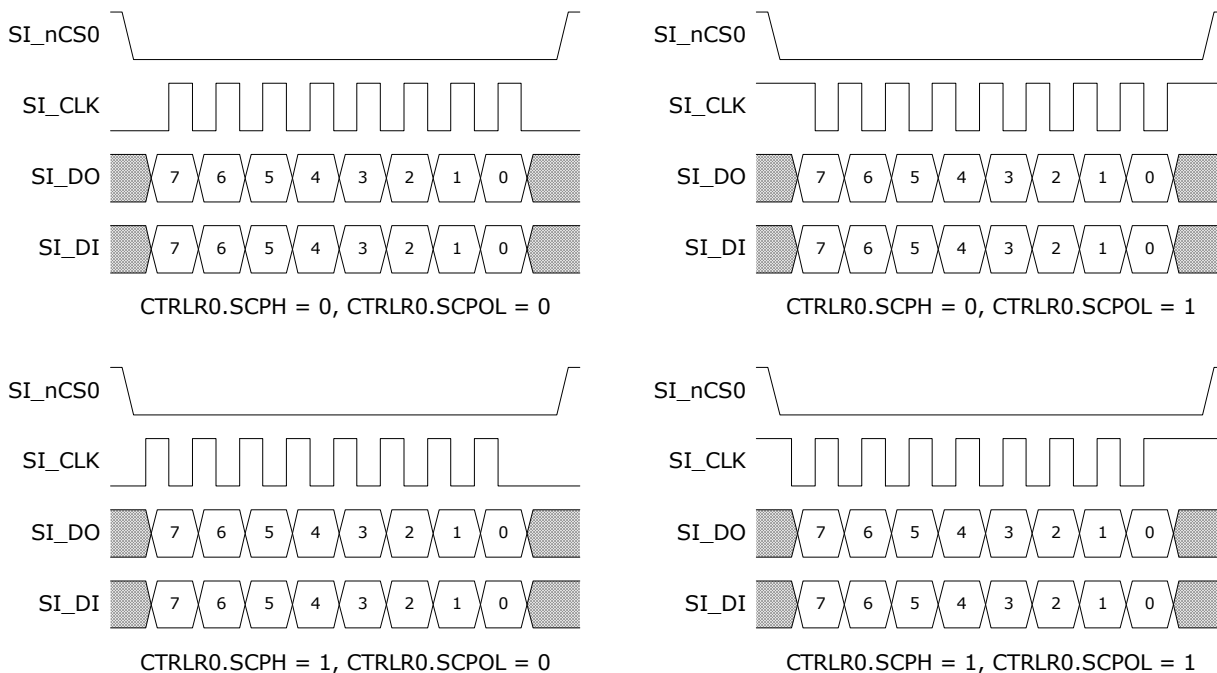
Writing to any DR replication index put data into the transmission FIFO, and reading from any DR replication index take out data from the receive FIFO. FIFO status indications are available in the SR register's TFE, TFNF, RFF, and RFNE fields. For information about interrupting on FIFO status, see [SIMC Interrupts](#), page 340.

After completing all initial configurations, the SI master controller is enabled by writing SIMCEN.SIMCEN = 1. Some registers can only be written when the controller is in disabled state. This is noted in the register-descriptions for the affected registers.

5.8.2.1 SPI Protocol

When the SI master controller is configured for SPI mode, clock polarity and position is configurable in CTRLR0.SCPH and CTRLR0.SCPOL. The following illustration shows the four possible combinations for 8-bit transfers.

Figure 108 • SIMC SPI Clock Configurations

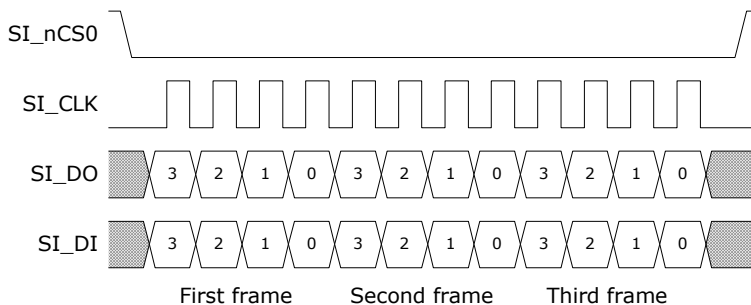


Data is sampled in the middle of the data-eye.

When using SPI protocol and transferring more than one data frame at the time, the controller performs one consecutive transfer. The following illustration shows a transfer of three data frames of 4 bits each.

Note: Transmitting transfers end when the transmit FIFO runs out of data frames. Receive only transfers end when the pre-defined number of data-frames is read from the SI interface.

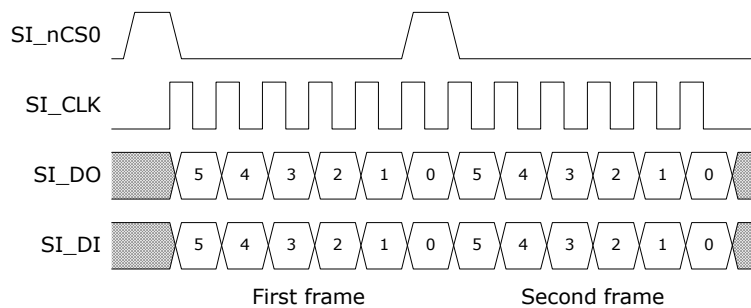
Figure 109 • SIMC SPI 3x Transfers



5.8.2.2 SSP Protocol

The SSP protocol for transferring two 6-bit data frames is shown in the following illustration. When using SSP mode, `CTRLR0.SCPH` and `CTRLR0.SCPOL` must remain zero.

5.8.2.3 SIMC SSP 2x Transfers



5.8.2.4 SIMC Interrupts

The SI master controller has five interrupt sources:

- RXF interrupt is asserted when the fill level of the receive FIFO (available in RXFLR) exceeds the programmable level set in RXFTLR. This interrupt is non-sticky; it is deasserted when fill level is decreased below the programmable level.
- RXO interrupt is asserted on receive FIFO overflow. This interrupt is cleared by reading the RXOICR register.
- RXU interrupt is asserted when reading from an empty receive FIFO. This interrupt is cleared by reading the RXUICR register.
- TXO interrupt is asserted when writing to a full transmit FIFO. This interrupt is cleared by reading the TXOICR register.
- TXE interrupt is asserted when the fill level of the transmit FIFO (available in TXFLR) is below the programmable level set in TXFTLR. This interrupt is non-sticky; it is deasserted when fill level is increased above the programmable level.

The raw (unmasked) status of these interrupts is available in the RISR register. Each of the interrupts can be individually masked by the IMR register. All interrupts are enabled by default. The currently active interrupts are shown in the ISR register.

If the RXO, RXU, and TXO interrupts occur during normal use of the SI master controller, it is an indication of software problems.

Interrupt is asserted towards the VCore-III interrupt controller when any enabled interrupt is asserted and the SI master controller is enabled.

5.8.2.5 SIMC Programming Example

This example shows how to use the SI master controller to interface with the SI slave of another VSC7442-02, VSC7444-02, VSC7448-02, and VSC7449-02 device. The slave device will be initialized for big endian/most significant bit first mode and then the DEVCPU_GCB::GPR register is written with the value 0x01234567. It is assumed that the other device's SI slave is connected on SI_nCS1 (and that appropriate GPIO alternate function has been enabled).

The SI slave is using a 24-bit address field and a 32-bit data field. This example uses 4 x 16-bit data frames to transfer the write-access. This means that 8 bits too much will be transferred, this is not a problem for the Microsemi SI slave interface; it ignores data above and beyond the 56 bit required for a write-access.

For information about initialization and how to calculate the 24-bit SI address field, see [Serial Interface in Slave Mode](#), page 313. The address-field when writing DEVCPU_GCB::GPR is 0x804001 (including write-indication).

The following steps are required to bring up the SI master controller and write twice to the SI slave device.

Important The following procedure disconnects the SI boot master from the SI interface. Booting must be done before attempting to overtake the boot-interface.

1. Write GENERAL_CTRL.IF_SI_OWNER = 2 to make SI master controller the owner of the SI interface.
2. Write BAUDR = 250 to get 1 MHz baud rate.
3. Write SER = 2 to use SI_nCS1.
4. Write CTRLR0 = 0x10F for 16-bit data frame and transmit only.
5. Write SIMCEN = 1 to enable the SI master controller.
6. Write DR[0] = 0x8000, 0x0081, 0x8181, 0x8100 to configure SI slave for big endian / most significant bit first mode.
7. Wait for SR.TFE = 1 and SR.BUSY = 0 for chip select to deassert between accesses to the SI slave.
8. Write DR[0] = 0x8040, 0x0101, 0x2345, 0x6700 to write DEVCPU_GCB::GPR in slave device.
9. Wait for SR.TFE = 1 and SR.BUSY = 0, then disable the SI master controller by writing SIMCEN = 0.

When reading from the SI slave, CTRLR0.TMOD must be configured for transmit and receive. One-byte padding is appropriate for a 1 MHz baud rate.

5.8.3 DDR3/DDR3L Memory Controller

This section provides information about how to configure and initialize the DDR3/DDR3L memory controller.

The following table lists the registers associated with the memory controller.

Table 259 • DDR3/DDR3L Controller Registers

Register	Description
ICPU_CFG::RESET	Reset Control
ICPU_CFG::MEMCTRL_CTRL	Control
ICPU_CFG::MEMCTRL_CFG	Configuration
ICPU_CFG::MEMCTRL_STAT	Status
ICPU_CFG::MEMCTRL_REF_PERIOD	Refresh period configuration
ICPU_CFG::MEMCTRL_ZQCAL	DDR3/DDR3L ZQ-calibration
ICPU_CFG::MEMCTRL_TIMING0	Timing configuration
ICPU_CFG::MEMCTRL_TIMING1	Timing configuration
ICPU_CFG::MEMCTRL_TIMING2	Timing configuration
ICPU_CFG::MEMCTRL_TIMING3	Timing configuration
ICPU_CFG::MEMCTRL_MR0_VAL	Mode register 0 value
ICPU_CFG::MEMCTRL_MR1_VAL	Mode register 1 value
ICPU_CFG::MEMCTRL_MR2_VAL	Mode register 2 value
ICPU_CFG::MEMCTRL_MR3_VAL	Mode register 3 value
ICPU_CFG::MEMCTRL_TERMRES_CTRL	Termination resistor control
ICPU_CFG::MEMCTRL_DQS_DLY	DQS window configuration
ICPU_CFG::MEMPHY_CFG	SSTL configuration
ICPU_CFG::MEMPHY_ZCAL	SSTL calibration

The memory controller works with JEDEC-compliant DDR3/DDR3L memory modules. The controller runs 312.50 MHz and supports one or two byte lanes in either single or dual row configurations (one or two chip selects). The controller supports up to 16 address bits. The maximum amount of physical memory that can be attached to the controller is 1 gigabyte.

The memory controller supports ECC encoding/decoding by using one of the two lanes for ECC information. Enabling ECC requires that both byte lanes are populated. When ECC is enabled, half the total physical memory is available for software use; the other half is used for ECC information.

The following steps are required to bring up the memory controller.

1. Release the controller from reset by clearing RESET.MEM_RST_FORCE.
2. Configure timing and mode parameters. These depend on the DDR3/DDR3L module and configuration selected for the devices. For more information, see [DDR3/DDR3L Timing and Mode Configuration Parameters](#), page 342.
3. Enable and calibrate the SSTL I/Os. For more information, see [Enabling and Calibrating SSTL I/Os](#).
4. Initialize the memory controller and modules. For more information, see [Memory Controller and Module Initialization](#).
5. Calibrate the DQS read window. For more information, see [DQS Read Window Calibration](#).
6. Optionally configure ECC and 1 gigabyte support. For more information see [ECC and 1 Gigabyte Support](#).

Note: For selected DDR3/DDR3L modules, the bring-up of the memory controller is already implemented as part of the Board Support Package (BSP). For more information about implementing the bring-up procedure, see [Microsemi eCos BSP and Tool Chain](#), which is available on the Microsemi Web site at www.microsemi.com.

5.8.3.1 DDR3/DDR3L Timing and Mode Configuration Parameters

This section provides information about each of the parameters that must be configured prior to initialization of the memory controller. It provides a quick overview of fields that must be configured and their recommended values. For more information about each field, see the register list.

The memory controller operates at 312.5 MHz, and the corresponding DDR clock period is 3.2 ns (DDR625). When a specific timing value is used in this section (for example, t_{MOD}), it means that the corresponding value from the memory module datasheet is expressed in memory controller clock cycles (divided by 3.2 ns and rounded up and possibly adjusted for minimum clock cycle count).

The following table defines general parameters for DDR3/DDR3L required when configuring the memory controller.

Table 260 • General DDR3/DDR3L Timing and Mode Parameters

Parameter	DDR3/DDR3L
RL	CL
WL	CWL
MD	t_{MOD}
ID	t_{XPR}
SD	t_{DLLK}
OW	2
OR	2
RP	t_{RP}
FAW	t_{FAW}
BL	4
MR0	$((RL-4) \ll 4) ((t_{WR-4}) \ll 9)$
MR1	0x0040
MR2	$((WL-5) \ll 3)$
MR3	0x0000

The following table lists the memory controller registers that must be configured before initialization. It is recommended to configure all fields listed, even when ODT or dual row configurations are not used.

Table 261 • Memory Controller Configuration

Register Field	Description
MEMCTRL_CFG.DDR_MODE	Set to 1 for DDR3/DDR3L mode.
MEMCTRL_CFG.DDR_WIDTH	Set to 0 when using 1 byte lane. Set to 1 when using 2 byte lanes.
MEMCTRL_CFG.MSB_COL_ADDR	Set to one less than the number of column address bits for the modules.
MEMCTRL_CFG.MSB_ROW_ADDR	Set to one less than the number of row address bits for the modules. See field description for example.
MEMCTRL_CFG.BANK_CNT	Set to 1.
MEMCTRL_CFG.BURST_LEN	Set to 1.
MEMCTRL_CFG.BURST_SIZE	Set to same value as MEMCTRL_CFG.DDR_WIDTH.
MEMCTRL_CFG.DDR_ECC_ENA	Set to 0 during initialization of the memory controller.
MEMCTRL_CFG.DDR_ECC_COR_ENA	Set to 0 during initialization of the memory controller.
MEMCTRL_CFG.DDR_ECC_ERR_ENA	Set to 0 during initialization of the memory controller.
MEMCTRL_CFG.DDR_512MBYTE_PLUS	Set to 0 during initialization of the memory controller.
MEMCTRL_REF_PERIOD.REF_PERIOD	Set to (tREFI(ns)/3.2ns) round down to the nearest integer.
MEMCTRL_REF_PERIOD.MAX_PEND_REF	Set to 8.
MEMCTRL_TIMING0.RD_DATA_XFR_DLY	Set to (RL-3).
MEMCTRL_TIMING0.WR_DATA_XFR_DLY	Set to (WL-1).
MEMCTRL_TIMING0.RD_TO_PRECH_DLY	Set to (BL-1).
MEMCTRL_TIMING0.WR_TO_PRECH_DLY	Set to (WL+BL+tWR-1).
MEMCTRL_TIMING0.RAS_TO_PRECH_DLY	Set to (tRAS(min)-1).
MEMCTRL_TIMING0.RD_CS_CHANGE_DLY	Set to BL.
MEMCTRL_TIMING0.WR_CS_CHANGE_DLY	Set to (BL-1).
MEMCTRL_TIMING0.RD_TO_WR_DLY	Set to (RL+BL+1-WL).
MEMCTRL_TIMING1.WR_TO_RD_DLY	Set to (WL+BL+tWTR-1).
MEMCTRL_TIMING1.RAS_TO_CAS_DLY	Set to (tRCD-1).
MEMCTRL_TIMING1.RAS_TO_RAS_DLY	Set to (tRRD-1).
MEMCTRL_TIMING1.PRECH_TO_RAS_DLY	Set to (tRP-1).
MEMCTRL_TIMING1.BANK8_FAW_DLY	Set to (FAW-1).
MEMCTRL_TIMING1.RAS_TO_RAS_SAME_BANK_DLY	Set to (tRC-1).
MEMCTRL_TIMING2.INIT_DLY	Set to (ID-1) during initialization of the memory controller.
MEMCTRL_TIMING2.REF_DLY	Set to (tRFC-1).
MEMCTRL_TIMING2.MDSET_DLY	Set to (MD-1).
MEMCTRL_TIMING2.PRECH_ALL_DLY	Set to (RP-1).

Table 261 • Memory Controller Configuration (continued)

Register Field	Description
MEMCTRL_TIMING3.WR_TO_RD_CS_CHAN GE_DLY	Set to (WL+tWTR-1).
MEMCTRL_TIMING3.LOCAL_ODT_RD_DLY	Set to (RL-3).
MEMCTRL_TIMING3.ODT_WR_DLY	Set to (OW-1).
MEMCTRL_TIMING3.ODT_RD_DLY	Set to (OR-1).
MEMCTRL_MR0_VAL.MR0_VAL	Set to MR0.
MEMCTRL_MR1_VAL.MR1_VAL	Set to MR1.
MEMCTRL_MR2_VAL.MR2_VAL	Set to MR2.
MEMCTRL_MR3_VAL.MR3_VAL	Set to MR3.

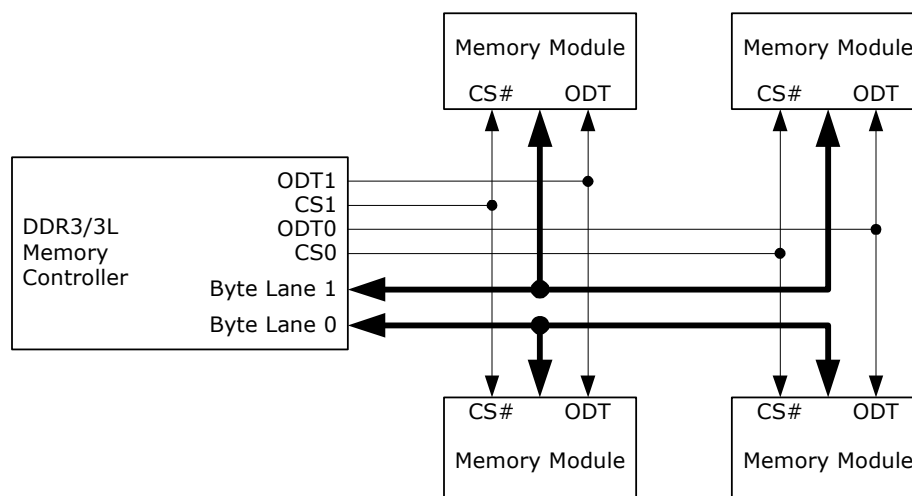
The memory controller supports two chip selects and automatically selects modules based on the configured address width and bank count. The resulting pool of memory is one large consecutive region.

5.8.3.2 On-Die Termination

An end termination scheme must be configured when writing from the devices to the memory modules, the memory module furthest away from the device must enable termination on write access. Enable assertion of ODT0 output for all write access (also CS1 writes) by setting MEMCTRL_TERMRES_CTRL = 0x0000000C. With the previously specified MR configuration, this will cause termination to be enabled in the CS0 modules for all write operations on the DDR3/DDR3L interface.

The following illustration shows the recommended connection of the DDR3 modules. If the CS1 modules are placed furthest away from the devices, setting MEMCTRL_TERMRES_CTRL = 0x00000030 enables termination in the CS1 modules for all write access.

Figure 110 • Memory Controller ODT Hookup



5.8.3.3 Enabling and Calibrating SSTL I/Os

Prior to controller initialization, the device's SSTL I/O drivers must be enabled and calibrated to correct drive strength and termination resistor values. It is recommended that the device's I/O drive and termination strengths be 60 Ω/60 Ω.

Complete the following tasks to enable and calibrate the SSTL I/Os.

1. Enable the SSTL mode by clearing MEMPHY_CFG.PHY_RST and setting MEMPHY_CFG.PHY_SSTL_ENA.
2. Perform calibration with the previously mentioned drive and termination strengths by writing 0xEF to MEMPHY_ZCAL.
3. Wait until MEMPHY_ZCAL.ZCAL_ENA is cleared (indicates calibration is done).
4. Enable drive of the SSTL I/Os by setting MEMPHY_CFG.PHY_CK_OE, MEMPHY_CFG.PHY_CL_OE, and MEMPHY_CFG.PHY_ODT_OE.

The SSTL interface is now enabled and calibrated, and the initialization of the memory controller can commence.

5.8.3.4 Memory Controller and Module Initialization

After memory controller parameters are configured, and after the SSTL I/Os are enabled and calibrated, the memory controller and modules are initialized by setting MEMCTRL_CTRL.INITIALIZE.

During initialization, the memory controller automatically follows the proper JEDEC defined procedure for initialization and writing of mode registers to the DDR3/DDR3L memory modules.

The memory controller automatically clears MEMCTRL_CTRL.INITIALIZE and sets the MEMCTRL_STAT.INIT_DONE field after the controller and the memory module (or modules) are operational. Software must wait for the INIT_DONE indication before continuing to calibrate the read window.

5.8.3.5 DQS Read Window Calibration

After initialization of the memory controller, successful writes to the memory are guaranteed. Reading is not yet possible, because the round trip delay between controller and memory modules are not calibrated.

Calibration of the read window includes writing a known value to the start of the DDR memory and then continually reading this value while adjusting the DQS window until the correct value is read from the memory. The calibration procedure depends on the number of byte lanes that are used (see MEMCTRL_CFG.DDR_WIDTH).

Note: For an ECC system, the calibration procedure for two byte lanes must be used, because the memory controller is initialized without ECC enabled.

5.8.3.5.1 Calibration of One Byte Lane

The following procedure applies to systems where MEMCTRL_CFG.DDR_WIDTH is 0:

- Write 0x000000FF to SBA address 0x20000000.
- Set the MEMCTRL_DQS_DLY[0].DQS_DLY field to 0.

Perform the following steps to calibrate the read window. Do not increment the DQS_DLY field beyond its maximum value. If the DQS_DLY maximum value is exceeded, it is an indication something is incorrect, and the memory controller will not be operational.

1. Read byte address 0x20000000. If the content is different from 0xFF, increment MEMCTRL_DQS_DLY[0].DQS_DLY by one, and repeat step 1, else continue to step 2.
2. Read byte address 0x20000000. If the content is different from 0x00, increment MEMCTRL_DQS_DLY[0].DQS_DLY by one, and repeat step 2, else continue to step 3.
3. Decrement MEMCTRL_DQS_DLY[0].DQS_DLY by three.

After the last step, which configures the appropriate DQS read window, the memory is ready for random read and write operations. For more information about ECC or 1 gigabyte support, see [ECC and 1-Gigabyte Support](#), page 346.

5.8.3.5.2 Calibration of Two Byte Lanes

This procedure applies to systems where MEMCTRL_CFG.DDR_WIDTH is 1:

- Write 0x0000FFFF to SBA address 0x20000000.
- Write 0x00000000 to SBA address 0x20000004.
- Set the MEMCTRL_DQS_DLY[0].DQS_DLY field to 0.
- Set the MEMCTRL_DQS_DLY[1].DQS_DLY field to 0.

Perform the following steps to calibrate the read window. Do not increment the DQS_DLY fields beyond their maximum value. If a DQS_DLY maximum value is exceeded, it is an indication something is incorrect, and the memory controller will not be operational.

1. Read byte addresses 0x20000000 and 0x20000001 from memory.
If the contents of byte address 0x20000000 is different from 0xFF, increment MEMCTRL_DQS_DLY[0].DQS_DLY by one.

If the contents of byte address 0x20000001 is different from 0xFF, increment MEMCTRL_DQS_DLY[1].DQS_DLY by one.

If any DQS_DLY was incremented repeat step 1, else continue to step 2.
2. Read byte addresses 0x20000000 and 0x20000001 from memory.
If the contents of byte address 0x20000000 is different from 0x00, increment MEMCTRL_DQS_DLY[0].DQS_DLY by one.

If the contents of byte address 0x20000001 is different from 0x00, increment MEMCTRL_DQS_DLY[1].DQS_DLY by one.

If any DQS_DLY was incremented repeat step 2, else continue to step 3.
3. Decrement MEMCTRL_DQS_DLY[0].DQS_DLY by three, and decrement MEMCTRL_DQS_DLY[1] by three.

The last step configures the appropriate DQS read windows. After this step the memory is ready for random read and write operations. If ECC or 1 gigabyte is needed see ECC and 1 Gigabyte Support.

5.8.3.6 ECC and 1-Gigabyte Support

The memory controller supports ECC, allowing correction of single bit and detection of two bit errors in every byte that is read from memory.

When ECC is enabled, one byte lane is used for data words and the other is used for ECC check-word. After enabling ECC, the amount of memory available to software is half of the physical memory (the lower half of the memory region).

ECC support must be enabled just after read calibration by setting MEMCTRL_CFG.DDR_ECC_ENA = 1 and at the same time setting MEMCTRL_CFG.BURST_SIZE = 0.

When ECC is enabled, the memory controller automatically corrects single-bit errors and detects two-bit errors. It is possible to propagate these events to the SBA to trigger a bus-error event in the VCore-III CPU. Non-correctable error indications are forwarded when MEMCTRL_CFG.DDR_ECC_ERR_ENA = 1. Correctable “errors” are forwarded when MEMCTRL_CFG.DDR_ECC_COR_ENA = 1. The VCore-III CPU can generate interrupt on these events so that software can take the appropriate action.

The memory controller supports up to 1 gigabyte of physical memory. To access more than 512 megabytes from the VCore-III CPU, set MEMCTRL_CFG.DDR_512MBYTE_PLUS = 1 to change the SBA memory map. For more information, see Shared Bus. When ECC is enabled with 1 gigabyte of physical memory, MEMCTRL_CFG.DDR_512MBYTE_PLUS does not have to be set, because only half of the physical memory is available to software.

5.8.4 Timers

This section provides information about the timers. The following table lists the registers associated with timers.

Table 262 • Timer Registers

Register	Description
ICPU_CFG::TIMER_CTRL	Enable/disable timer
ICPU_CFG::TIMER_VALUE	Current timer value
ICPU_CFG::TIMER_RELOAD_VALUE	Value to load when wrapping

Table 262 • Timer Registers (continued)

Register	Description
ICPU_CFG::TIMER_TICK_DIV	Common timer-tick divider

There are three decrementing 32-bit timers in the VCore-III system that run from a common divider. The common divider is driven by a fixed 250 MHz clock and can generate timer ticks from 0.1 μ s (10 MHz) to 1 ms (1 kHz), configurable through TIMER_TICK_DIV. The default timer tick is 100 μ s (10 kHz).

Software can access each timer value through the TIMER_VALUE[n] registers. These can be read or written at any time, even when the timers are active.

When a timer is enabled through TIMER_CTRL[n].TIMER_ENA, it decrements from the current value until it reaches zero. An attempt to decrement a TIMER_VALUE[n] of zero generates interrupt and assigns TIMER_VALUE[n] to the contents of TIMER_RELOAD_VALUE[n]. Interrupts generated by the timers are sent to the VCore-III interrupt controller. From here, interrupts can be forwarded to the VCore-III CPU or to an external CPU. For more information, see Interrupt Controller.

By setting TIMER_CTRL[n].ONE_SHOT_ENA, the timer disables itself after generating one interrupt. By default, timers will decrement, interrupt, and reload indefinitely (or until disabled by clearing TIMER_CTRL[n].TIMER_ENA).

A timer can be reloaded from TIMER_RELOAD_VALUE[n] at the same time as it is enabled by setting TIMER_CTRL[n].FORCE_RELOAD and TIMER_CTRL[n].TIMER_ENA at the same time.

Example Configure Timer0 to interrupt every 1 ms. With the default timer tick of 100 μ s ten timer ticks are needed for a timer that wraps every 1 ms. Configure TIMER_RELOAD_VALUE[0] to 0x9, then enable the timer and force a reload by setting TIMER_CTRL[0].TIMER_ENA and TIMER_CTRL[0].FORCE_RELOAD at the same time.

5.8.5 UARTs

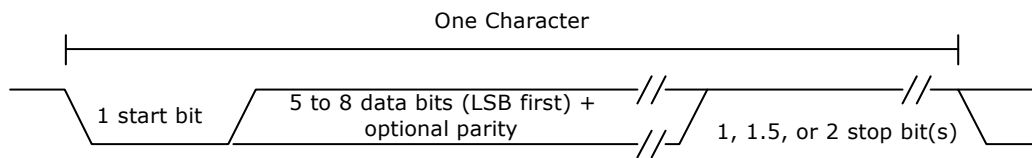
This section provides information about the UART (Universal Asynchronous Receiver/Transmitter) controllers. There are two independent UART controller instances in the VCore-III system: UART and UART2. These instances are identical copies and anywhere in this description the word UART can be replaced by UART2.

The following table lists the registers associated with the UART.

Table 263 • UART Registers

Register	Description
UART::RBR_THR	Receive buffer/transmit buffer/Divisor (low)
UART::IER	Interrupt enable/divisor (high)
UART::IIR_FCR	Interrupt identification/FIFO control
UART::LCR	Line control
UART::MCR	Modem control
UART::LSR	Line status
UART::MSR	Modem status
UART::SCR	Scratchpad
UART::USR	UART status

The VCore-III system UART is functionally based on the industry-standard 16550 UART (RS232 protocol). This implementation features a 16-byte receive and a 16-byte transmit FIFO.

Figure 111 • UART Timing

The number of data bits, parity, parity-polarity, and stop-bit lengths are all programmable using LCR.

The UART pins on the devices are overlaid functions on the GPIO interface. Before enabling the UART, the VCore-III CPU must enable overlaid modes for the appropriate GPIO pins. For more information about overlaid functions on the GPIOs for these signals, see [GPIO Overlaid Functions](#), page 354.

The following table lists the pins of the UART interfaces.

Table 264 • UART Interface Pins

Pin Name	I/O	Description
UART_RXD/GPIO	I	UART receive data
UART_TXD/GPIO	O	UART transmit data
UART2_RXD/GPIO	I	UART2 receive data
UART2_TXD/GPIO	O	UART2 transmit data

The baud rate of the UART is derived from the VCore-III system frequency. The divider value is indirectly set through the RBR_THR and IER registers. The baud rate is equal to the VCore-III system clock frequency, divided by 16, and multiplied by the value of the baud rate divisor. A divider of zero disables the baud rate generator and no serial communications occur. The default value for the divisor register is zero.

Example Configuring a baud rate of 9600 in a 250 MHz VCore-III system. To generate a baud rate of 9600, the divisor register must be set to 0x65C (250 MHz/(16 × 9600 Hz)). Set LCR.DLAB and write 0x5C to RBR_THR and 0x06 to IER (this assumes that the UART is not in use). Finally, clear LCR.DLAB to change the RBR_THR and IER registers back to the normal mode.

By default, the FIFO mode of the UART is disabled. Enabling the 16-byte receive and 16-byte transmit FIFOs (through IIR_FCR) is recommended.

Note: Although the UART itself supports RTS and CTS, these signals are not available on the pins of the devices.

5.8.5.1 UART Interrupt

The UART can generate interrupt whenever any of the following prioritized events are enabled (through IER).

- Receiver error
- Receiver data available
- Character timeout (in FIFO mode only)
- Transmit FIFO empty or at or below threshold (in programmable THRE interrupt mode)

When an interrupt occurs, the IIR_FCR register can be accessed to determine the source of the interrupt. Note that the IIR_FCR register has different purposes when reading or writing. When reading, the interrupt status is available in bits 0 through 3. For more information about interrupts and how to handle them, see the IIR_FCR register description.

Example Enabling interrupt when transmit fifo is below one-quarter full. To get this type of interrupt, the THRE interrupt must be used. First, configure TX FIFO interrupt level to one-quarter full by setting IIR_FCR.TET to 10; at the same time, ensure that the IIR_FCR.FIFOE field is also set. Set IER.PTIME to enable the THRE interrupt in the UART. In addition, the VCore-III interrupt controller must be configured for the CPU to be interrupted. For more information, see Interrupt Controller.

5.8.6 Two-Wire Serial Interface

This section provides information about the two-wire serial interface controllers. There are two independent two-wire serial interface controller instances in the VCore-III system, TWI and TWI2. These instances are identical copies and anywhere in this description the word TWI can be replaced by TWI2.

The following table lists the registers associated with the two-wire serial interface.

Table 265 • Two-Wire Serial Interface Registers

Register	Description
TWI::CFG	General configuration.
TWI::TAR	Target address.
TWI::SAR	Slave address.
TWI::DATA_CMD	Receive/transmit buffer and command.
TWI::SS_SCL_HCNT	Standard speed high time clock divider.
TWI::SS_SCL_LCNT	Standard speed low time clock divider.
TWI::FS_SCL_HCNT	Fast speed high time clock divider.
TWI::FS_SCL_LCNT	Fast speed low time clock divider.
TWI::INTR_STAT	Masked interrupt status.
TWI::INTR_MASK	Interrupt mask register.
TWI::RAW_INTR_STAT	Unmasked interrupt status.
TWI::RX_TL	Receive FIFO threshold for RX_FULL interrupt.
TWI::TX_TL	Transmit FIFO threshold for TX_EMPTY interrupt.
TWI::CLR_*	Individual CLR_* registers are used for clearing specific interrupts. See register descriptions for corresponding interrupts.
TWI::CTRL	Control register.
TWI::STAT	Status register.
TWI::TXFLR	Current transmit FIFO level.
TWI::RXFLR	Current receive FIFO level.
TWI::TX_ABRT_SOURCE	Arbitration sources.
TWI::SDA_SETUP	Data delay clock divider.
TWI::ACK_GEN_CALL	Acknowledge of general call.
TWI::ENABLE_STATUS	General two-wire serial controller status.
ICPU_CFG::TWI_CONFIG	Configuration of TWI_SDA hold-delay.
ICPU_CFG::TWI_SPIKE_FILTER_CFG	Configuration of TWI_SDA spike filter.

The two-wire serial interface controller is compatible with the industry standard two-wire serial interface protocol. The controller supports standard speed up to 100 kbps and fast speed up to 400 kbps. Multiple bus masters, as well as both 7-bit and 10-bit addressing, are also supported.

By default, the two-wire serial interface controller operates as master only (CFG.MASTER_ENA). However, slave mode can be enabled (CFG.SLAVE_DIS). In slave mode, the controller generates an interrupt when addressed by an external master. For read requests, the controller then stops the two-wire serial bus until the VCore-III CPU has processed the request and provided a response (reply-data) to the controller. The slave addresses (SAR) of the two-wire serial interface controller must be configured before enabling slave mode.

The two-wire serial interface pins on the devices are overlaid functions on the GPIO interface. Before enabling the two-wire serial interface, the VCore-III CPU must enable overlaid functions for the appropriate GPIO pins. For more information about overlaid functions on the GPIOs for these signals, see [GPIO Overlaid Functions](#), page 354.

The following table lists the pins of the two-wire serial interface.

Table 266 • Two-Wire Serial Interface Pins

Pin Name	I/O	Description
TWI_SCL/GPIO	I/O	Two-wire serial interface clock, open-collector output.
TWI_SDA/GPIO	I/O	Two-wire serial interfacedata, open-collector output.
TWI_SCL_Mn/GPIO	I/O	Two-wire serial interface multiplexed clocks (16 instances in total), open-collector outputs.
TWI2_SCL/GPIO	I/O	Two-wire serial interface 2 clock, open-collector output.
TWI2_SDA/GPIO	I/O	Two-wire serial interface 2 data, open-collector output.

Setting CTRL.ENABLE enables the controller. The controller can be disabled by clearing the CTRL.ENABLE field, there is a chance that disabling is not allowed (at the time when it is attempted); the ENABLE_STATUS register shows if the controller was successful disabled.

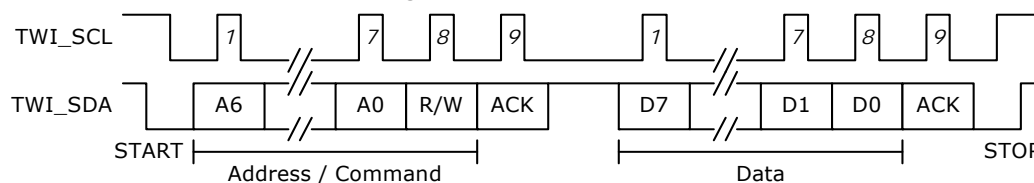
Before enabling the controller, the user must decide on either standard or fast mode (CFG.SPEED) and configure clock dividers for generating the correct timing (SS_SCL_HCNT, SS_SCL_LCNT, FS_SCL_HCNT, FS_SCL_LCNT, and SDA_SETUP). The configuration of the divider registers depends on the VCore-III system clock frequency. The register descriptions explain how to calculate the required values.

Some two-wire serial devices require a hold time on TWI_SDA after TWI_SCL when transmitting from the two-wire serial interface controller. The devices support a configurable hold delay through the TWI_CONFIG register.

The two-wire serial interface controller has an 8-byte combined receive and transmit FIFO.

During normal operation of the two-wire serial interface controller, the STATUS register shows the activity and FIFO states.

Figure 112 • Two-Wire Serial Interface Timing for 7-Bit Address Access



5.8.6.1 Two-Wire Serial Interface Addressing

To configure either 7-bit or 10-bit addressing for master and slave modes, use CFG.MASTER_10BITADDR and CFG.SLAVE_10BITADDR, respectively.

The two-wire serial interface controller can generate both General Call and START Byte. Initiate this through TAR.GC_OR_START_ENA or TAR.GC_OR_START. When operating as master, the target/slave address is configured using the TAR register.

5.8.6.2 Two-Wire Serial Interface Interrupt

The two-wire serial interface controller can generate a multitude of interrupts. All of these are described in the RAW_INTR_STAT register. The RAW_INTR_STAT register contains interrupt fields that are always set when their trigger conditions occur. The INTR_MASK register is used for masking interrupts and allowing interrupts to propagate to the INTR_STAT register. When set in the INTR_STAT register, the two-wire serial interface controller asserts interrupt toward the VCore-III interrupt controller.

The RAW_INTR_STAT register also specifies what is required to clear the specific interrupts. When the source of the interrupt is removed, reading the appropriate CLR_* register (for example, CLR_RX_OVER) clears the interrupt.

5.8.6.3 Built-in Two-Wire Serial Multiplexer

The devices have built-in support for connecting to multiple two-wire serial devices that use the same two-wire serial address. This is done by using the multiplexed clock outputs (TWI_SCL_Mn) for the two-wire serial devices rather than TWI_SCL. Depending on which device or devices it needs to talk to, software can then enable/disable the various clocks. This multiplexing feature is available for the first two-wire serial interface controller instance.

From the two-wire serial controllers point of view, it does not know if it is using TWI_SCL or TWI_SCL_Mn clocks. When using multiplexed mode, software needs to enable/disable individual TWI_SCL_Mn connections before initiating the access operation using the two wire serial controller. Feedback on the clock (from slow two-wire serial devices) is automatically done for the TWI_SCL_Mn lines that are enabled.

To enable multiplexed clocks, first configure the TWI_SCL_Mn overlaid mode in the GPIO controller. Individual TWI_SCL_Mn clocks are then enabled by writing 1 to the corresponding GPIO output bit (in DEVCPU_GCB::GPIO_OUT). To disable the clock, write 0 to the GPIO output bit. Disabled TWI_SCL_Mn clocks are not driven during access and the feedback is disabled.

Note: In multiprocessor systems, the DEVCPU_GCB::GPIO_OUT_SET and DEVCPU_GCB::GPIO_OUT_CLR registers can be used to avoid race conditions.

5.8.7 MII Management Controller

This section provides information about the MII Management (MIIM) controllers. The following table lists the registers associated with the MII Management controllers.

Table 267 • MIIM Registers

Register	Description
DEVCPU_GCB::MII_STATUS	Controller status
DEVCPU_GCB::MII_CMD	Command and write data
DEVCPU_GCB::MII_DATA	Read data
DEVCPU_GCB::MII_CFG	Clock frequency configuration
DEVCPU_GCB::MII_SCAN_0	Auto-scan address range
DEVCPU_GCB::MII_SCAN_1	Auto-scan mask and expects
DEVCPU_GCB::MII_SCAN_LAST_RSLTS	Auto-scan result
DEVCPU_GCB::MII_SCAN_LAST_RSLTS_VLD	Auto-scan result valid
DEVCPU_GCB::MII_SCAN_RSLTS_STICKY	Differences in expected versus read auto-scan

The devices contain three MIIM controllers with equal functionality. Data is transferred on the MIIM interface using the Management Frame Format protocol specified in IEEE 802.3, Clause 22 or the MDIO Manageable Device protocol defined in IEEE 802.3, Clause 45. The Clause 45 protocol differs from the Clause 22 protocol by using indirect register access to increase the address range. The controller supports both Clause 22 and Clause 45.

The MIIM interface pins for the second and third controllers are overlaid functions on the GPIO interface. Before using these MIIM controllers, the overlaid functions for the appropriate GPIO pins must first be

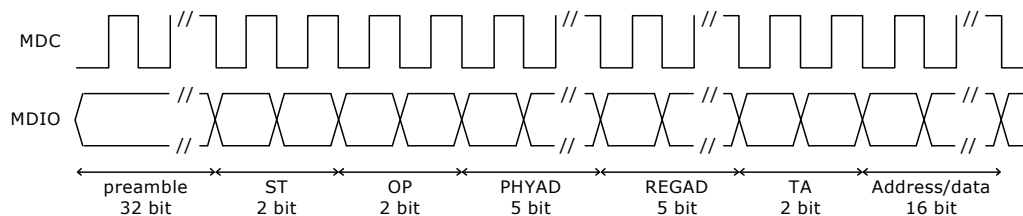
enabled. For more information about overlaid functions on the GPIOs for these signals, see [GPIO Overlaid Functions](#), page 354.

Table 268 • MIIM Management Controller Pins

Pin Name	I/O	Description
MDC0	O	MIIM clock for controller 0
MDIO0	I/O	MIIM data input/output for controller 0
MDC1/GPIO	O	MIIM clock for controller 1
MDIO1/GPIO	I/O	MIIM data input/output for controller 1
MDC2/GPIO	O	MIIM clock for controller 2
MDIO2/GPIO	I/O	MIIM data input/output for controller 2

The MDIO signal is changed or sampled on the falling edge of the MDC clock by the controller. The MDIO pin is tristated in-between access and when expecting read data.

Figure 113 • MII Management Timing



5.8.7.1 Clock Configuration

The frequency of the management interface clock generated by the MIIM controller is derived from the switch core's frequency. The MIIM clock frequency is configurable and is selected with `MII_CFG.MIIM_CFG_PRESCALE`. The calculation of the resulting frequency is explained in the register description for `MII_CFG.MIIM_CFG_PRESCALE`. The maximum frequency of the MIIM clock is 25 MHz.

5.8.7.2 MII Management PHY Access

Reads and writes across the MII management interface are performed through the `MII_CMD` register. Details of the operation, such as the PHY address, the register address of the PHY to be accessed, the operation to perform on the register (for example, read or write), and write data (for write operations), are set in the `MII_CMD` register. When the appropriate fields of `MII_CMD` are set, the operation is initiated by writing 0x1 to `MII_CMD.MIIM_CMD_VLD`. The register is automatically cleared when the MIIM command is initiated. When initiating single MIIM commands, `MII_CMD.MIIM_CMD_SCAN` must be set to 0x0.

When an operation is initiated, the current status of the operation can be read in `MII_STATUS`. The fields `MII_STATUS.MIIM_STAT_PENDING_RD` and `MII_STATUS.MIIM_STAT_PENDING_WR` can be used to poll for completion of the operation. For a read operation, the read data is available in `MII_DATA.MIIM_DATA_RDDATA` after completion of the operation. The value of `MII_DATA.MIIM_DATA_RDDATA` is only valid if `MII_DATA.MIIM_DATA_SUCCESS` indicates no read errors.

The MIIM controller contains a small command FIFO. Additional MIIM commands can be queued as long as `MII_STATUS.MIIM_STAT_OPR_PEND` is cleared. Care must be taken with read operations, because multiple queued read operations will overwrite `MII_DATA.MIIM_DATA_RDDATA`.

Note: A typical software implementation will never queue read operations, because the software needs read data before progressing the state of the software. In this case, `MII_STATUS.MIIM_STAT_OPR_PEND` is checked before issuing MIIM read or write commands, for read operations `MII_STATUS.MIIM_STAT_BUSY` is checked before returning read result.

By default, the MIIM controller operates in Clause 22 mode. To access Clause 45 compatible PHYs, MII_CFG.MIIM_ST_CFG_FIELD and MII_CMD.MIIM_CMD_OPR_FIELD must be set according to Clause 45 mode of operation.

5.8.7.3 PHY Scanning

The MIIM controller can be configured to continuously read certain PHY registers and detect if the read value is different from an expected value. If a difference is detected, a special sticky bit register is set or a CPU interrupt is generated, or both. For example, the controller can be programmed to read the status registers of one or more PHYs and detect if the Link Status changed since the sticky register was last read.

The reading of the PHYs is performed sequentially with the low and high PHY numbers specified in MII_SCAN_0 as range bounds. The accessed address within each of the PHYs is specified in MII_CMD.MIIM_CMD_REGAD. The scanning begins when a 0x1 is written to MII_CMD.MIIM_CMD_SCAN and a read operation is specified in MII_CMD.MIIM_CMD_OPR_FIELD. Setting MII_CMD.MIIM_CMD_SINGLE_SCAN stops the scanning after all PHYs have been scanned one time. The remaining fields of MII_CMD register are not used when scanning is enabled.

The expected value for the PHY register is set in MII_SCAN_1.MIIM_SCAN_EXPECT. The expected value is compared to the read value after applying the mask set in MII_SCAN_1.MIIM_SCAN_MASK. To don't-care a bit-position, write a 0 to the mask. If the expected value for a bit position differs from the read value during scanning, and the mask register has a 1 for the corresponding bit, a mismatch for the PHY is registered.

The scan results from the most recent scan can be read in MII_SCAN_LAST_RSLTS. The register contains one bit for each of the possible 32 PHYs. A mismatch during scanning is indicated by a 0. MII_SCAN_LAST_RSLTS_VLD will indicate for each PHY if the read operation performed during the scan was successful. The sticky-bit register MII_SCAN_RSLTS_STICKY has the mismatch bit set for all PHYs that had a mismatch during scanning since the last read of the sticky-bit register. When the register is read, its value is reset to all-ones (no mismatches).

5.8.7.4 MII Management Interrupt

The MII management controllers can generate interrupts during PHY scanning. Each MII management controller has a separate interrupt signal to the interrupt controller. Interrupt is asserted when one or more PHYs have a mismatch during scan. The interrupt is cleared by reading the MII_SCAN_RSLTS_STICKY register, which resets all MII_SCAN_RSLTS_STICKY indications.

5.8.8 GPIO Controller

This section provides information about the use of GPIO pins.

The following table lists the registers associated with GPIO.

Table 269 • GPIO Registers

Register	Description
DEVCPU_GCB::GPIO_OUT	Value to drive on GPIO outputs
DEVCPU_GCB::GPIO_OUT_SET	Atomic set of bits in GPIO_OUT
DEVCPU_GCB::GPIO_OUT_CLR	Atomic clear of bits in GPIO_OUT
DEVCPU_GCB::GPIO_IN	Current value on the GPIO pins
DEVCPU_GCB::GPIO_OE	Enable of GPIO output mode (drive GPIOs)
DEVCPU_GCB::GPIO_ALT	Enable of overlaid GPIO functions
DEVCPU_GCB::GPIO_INTR	Interrupt on changed GPIO value
DEVCPU_GCB::GPIO_INTR_ENA	Enable interrupt on changed GPIO value
DEVCPU_GCB::GPIO_INTR_IDENT	Currently interrupting sources
DEVCPU_GCB::GPIO_SD_MAP	Mapping of parallel signal detects

The GPIO pins are individually programmable. GPIOs are inputs by default and can be individually changed to outputs through GPIO_OE. The value of the GPIO pins is reflected in the GPIO_IN register. GPIOs that are in output mode are driven to the value specified in GPIO_OUT.

In a system where multiple different CPU threads (or different CPUs) may work on the GPIOs at the same time, the GPIO_OUT_SET and GPIO_OUT_CLR registers provide a way for each thread to safely control the output value of individual GPIOs, without having to implement locked regions and semaphores.

The GPIO_ALT registers are only reset by external reset to the devices. This means that software reset of the DEVCPU_GCB is possible without affecting the mapping of overlaid functions on the GPIOs.

5.8.8.1 GPIO Overlaid Functions

Most of the GPIO pins have overlaid (alternative) functions that can be enabled through replicated GPIO_ALT registers. For more information, see Registers.

To enable a particular GPIO pin with the alternate function, set the G_ALT[n] register field in the replicated registers as follows:

- Overlaid mode 1, set GPIO_ALT[1][n], GPIO_ALT[0][n] = 1.
- Overlaid mode 2, set GPIO_ALT[1][n], GPIO_ALT[0][n] = 2.
- Normal GPIO mode, set GPIO_ALT[1][n], GPIO_ALT[0][n] = 0.

When the MIIM slave mode is enabled through the VCore_CFG strapping pins, specific GPIO pins are overtaken and used for the MIIM slave interface.

During reset, the VCore_CFG interface is sampled and used for VCore configuration. After reset, the devices are released, and the GPIOs can be used for output or inputs. For more information, see [VCore-III Configurations](#), page 306.

The following table maps the GPIO pins and available overlaid functions.

Table 270 • GPIO Overlaid Functions

Name	Overlaid Function 1	Overlaid Function 2	Configuration or Interface
GPIO_0	SG0_CLK		
GPIO_1	SG0_DO		
GPIO_2	SG0_DI		
GPIO_3	SG0_LD		
GPIO_4	SG1_CLK		
GPIO_5	SG1_DO		
GPIO_6	IRQ0_IN	IRQ0_OUT	
GPIO_7	IRQ1_IN	IRQ1_OUT	
GPIO_8	PTP_0		
GPIO_9	PTP_1		
GPIO_10	UART_RXD		
GPIO_11	UART_TXD		
GPIO_12	SG1_LD		
GPIO_13	SG1_DI		
GPIO_14	TWI_SCL	TWI_SCL_M0	
GPIO_15	TWI_SDA		
GPIO_16	SI_nCS1	TWI_SCL_M1	MIIM_SLV_ADDR
GPIO_17	SI_nCS2	TWI_SCL_M2	MIIM_SLV_MDC

Table 270 • GPIO Overlaid Functions (continued)

Name	Overlaid Function 1	Overlaid Function 2	Configuration or Interface
GPIO_18	SI_nCS3	TWI_SCL_M3	MIIM_SLV_MDIO
GPIO_19	PCI_WAKE		
GPIO_20	IRQ0_OUT	TWI_SCL_M4	
GPIO_21	IRQ1_OUT	TWI_SCL_M5	
GPIO_22	TACHO		
GPIO_23	PWM		
GPIO_24	UART2_RXD		
GPIO_25	UART2_TXD	SI_nCS4	
GPIO_26	PTP_2	SI_nCS5	
GPIO_27	PTP_3	SI_nCS6	
GPIO_28	TWI2_SCL	SI_nCS7	
GPIO_29	TWI_SDA	SI_nCS8	
GPIO_30	SG2_CLK	SI_nCS9	
GPIO_31	SG2_LD	SI_nCS10	
GPIO_32	SG2_DO	SI_nCS11	
GPIO_33	SG2_D1	SI_nCS12	
GPIO_34		TWI_SCL_M6	
GPIO_35		TWI_SCL_M7	
GPIO_36		TWI_SCL_M8	
GPIO_37		TWI_SCL_M9	
GPIO_38		TWI_SCL_M10	
GPIO_39		TWI_SCL_M11	
GPIO_40		TWI_SCL_M12	
GPIO_41		TWI_SCL_M13	
GPIO_42		TWI_SCL_M14	
GPIO_43		TWI_SCL_M15	
GPIO_44		SFP8_SD	
GPIO_45		SFP9_SD	
GPIO_46		SFP10_SD	
GPIO_47		SFP11_SD	
GPIO_48	SFP0_SD		
GPIO_49	SFP1_SD	SI_nCS13	
GPIO_50	SFP2_SD	SI_nCS14	
GPIO_51	SFP3_SD	SI_nCS15	
GPIO_52	SFP4_SD		
GPIO_53	SFP5_SD		
GPIO_54	SFP6_SD		
GPIO_55	SFP7_SD		

Table 270 • GPIO Overlaid Functions (continued)

Name	Overlaid Function 1	Overlaid Function 2	Configuration or Interface
GPIO_56	MDC1	SFP12_SD	
GPIO_57	MDIO1	SFP13_SD	
GPIO_58	MDC2	SFP14_SD	
GPIO_59	MDIO2	SFP15_SD	
GPIO_60			VCore_CFG0
GPIO_61			VCore_CFG1
GPIO_62			VCore_CFG2
GPIO_63			VCore_CFG3

5.8.8.2 GPIO Interrupt

The GPIO controller continually monitors all inputs and set bits in the GPIO_INTR register whenever a GPIO changes its input value. By enabling specific GPIO pins in the GPIO_INTR_ENA register, a change indication from GPIO_INTR is allowed to propagate (as GPIO interrupt) from the GPIO controller to the VCore-III Interrupt Controller.

The currently interrupting sources can be read from GPIO_INTR_IDENT, this register is the result of a binary AND between the GPIO_INTR and GPIO_INTR_ENA registers.

5.8.8.3 Parallel Signal Detect

The GPIO controller has 16 programmable parallel signal detects, SFP0_SD through SFP15_SD. When parallel signal detect is enabled for a front port index, it overrides the signal-detect/loss-of-signal value provided by the serial GPIO controller.

To enable parallel signal detect n , first configure which port index from the serial GPIO controller that must be overwritten by setting GPIO_SD_MAP[n].G_SD_MAP, then enable the SFP n _SD function on the GPIOs.

The following table lists parallel signal detect pins, which are overlaid on GPIOs. For more information about overlaid functions on the GPIOs for these signals, see [GPIO Overlaid Functions](#), page 354.

Table 271 • Parallel Signal Detect Pins

Register	I/O	Description
SFP0_SD/GPIO	I	Parallel signal detect 0
SFP1_SD/GPIO	I	Parallel signal detect 1
SFP2_SD/GPIO	I	Parallel signal detect 2
SFP3_SD/GPIO	I	Parallel signal detect 3
SFP4_SD/GPIO	I	Parallel signal detect 4
SFP5_SD/GPIO	I	Parallel signal detect 5
SFP6_SD/GPIO	I	Parallel signal detect 6
SFP7_SD/GPIO	I	Parallel signal detect 7
SFP8_SD/GPIO	I	Parallel signal detect 8
SFP9_SD/GPIO	I	Parallel signal detect 9
SFP10_SD/GPIO	I	Parallel signal detect 10
SFP11_SD/GPIO	I	Parallel signal detect 11
SFP12_SD/GPIO	I	Parallel signal detect 12

Table 271 • Parallel Signal Detect Pins (continued)

Register	I/O	Description
SFP13_SD/GPIO	I	Parallel signal detect 13
SFP14_SD/GPIO	I	Parallel signal detect 14
SFP15_SD/GPIO	I	Parallel signal detect 15

5.8.9 Serial GPIO Controller

The devices feature three serial GPIO (SIO) controllers. By using a serial interface, the SIO controllers significantly extend the number of available GPIOs with a minimum number of additional pins on the devices. The primary purpose of the SIO controllers is to connect control signals from SFP modules and to act as an LED controller.

Each SIO controller supports up to 128 serial GPIOs (SGPIOs) organized into 32 ports, with four SGPIOs per port.

The following table lists the registers associated with the SIO controller.

Table 272 • SIO Registers

Register	Description
DEVCPU_GCB::SIO_INPUT_DATA	Input data
DEVCPU_GCB::SIO_CFG	General configuration
DEVCPU_GCB::SIO_CLOCK	Clock configuration
DEVCPU_GCB::SIO_PORT_CFG	Output port configuration
DEVCPU_GCB::SIO_PORT_ENA	Port enable
DEVCPU_GCB::SIO_PWM_CFG	PWM configuration
DEVCPU_GCB::SIO_INTR_POL	Interrupt polarity
DEVCPU_GCB::SIO_INTR_RAW	Raw interrupt status
DEVCPU_GCB::SIO_INTR_TRIGGER0	Interrupt trigger mode 0 configuration
DEVCPU_GCB::SIO_INTR_TRIGGER1	Interrupt trigger mode 1 configuration
DEVCPU_GCB::SIO_INTR	Currently interrupting SGPIOs
DEVCPU_GCB::SIO_INTR_ENA	Interrupt enable
DEVCPU_GCB::SIO_INTR_IDENT	Currently active interrupts

The following table lists the SIO controller pins, which are overlaid functions on GPIO pins. For more information about overlaid functions on the GPIOs for these signals, see [GPIO Overlaid Functions](#), page 354.

Table 273 • SIO Controller Pins

Pin Name	I/O	Description
SG0_CLK/GPIO SG1_CLK/GPIO SG2_CLK/GPIO	O	SIO clock output, frequency is configurable using SIO_CLOCK.SIO_CLK_FREQ.
SG0_DO/GPIO SG1_DO/GPIO SG2_DO/GPIO	O	SIO data output.

Table 273 • SIO Controller Pins (continued)

Pin Name	I/O	Description
SG0_DI/GPIO SG1_DI/GPIO SG2_DI/GPIO	I	SIO data input.
SG0_LD/GPIO SG1_LD/GPIO SG2_LD/GPIO	O	SIO load data, polarity is configurable using SIO_CFG.SIO_LD_POLARITY.

The SIO controller works by shifting SGPIO values out on SG[2:0]_DO through a chain of shift registers on the PCB. After shifting a configurable number of SGPIO bits, the SIO controller asserts SG[2:0]_LD, which causes the shift registers to apply the values of the shifted bits to outputs. The SIO controller can also read inputs while shifting out SGPIO values on SG[2:0]_DO by sampling the SG[2:0]_DI input. The values sampled on SG[2:0]_DI are made available to software.

If the SIO controller is only used for outputs, the use of the load signal is optional. If the load signal is omitted, simpler shift registers (without load) can be used, however, the outputs of these registers will toggle during shifting.

When driving LED outputs, it is acceptable that the outputs will toggle when SGPIO values are updated (shifted through the chain). When the shift frequency is fast, the human eye is not able to see the shifting though the LEDs.

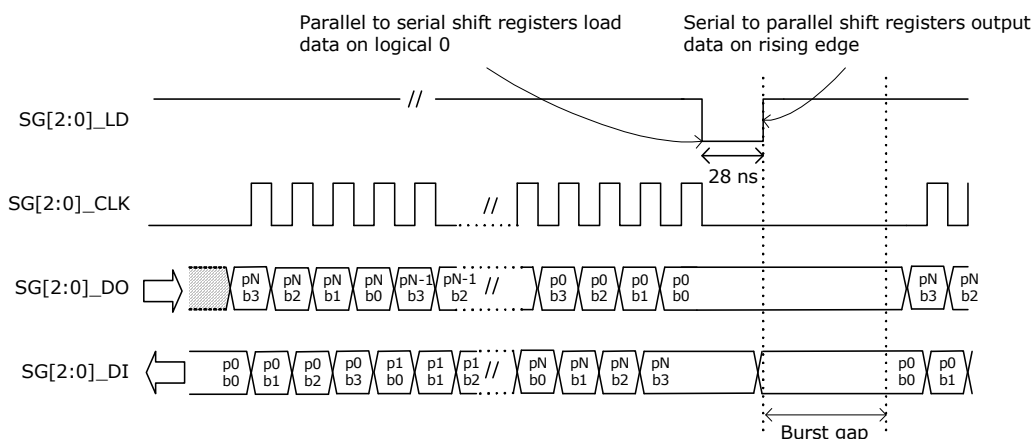
The number of shift registers in the chain is configurable. The SIO controller allows enabling of individual ports through SIO_PORT_ENA; only enabled ports are shifted out on SG[2:0]_DO. Ports that are not enabled are skipped during shifting of GPIO values.

Note: SIO_PORT_ENA allows skipping of ports in the SGPIO output stream that are not in use. The number of GPIOs per (enabled) port is configurable as well, through SIO_CFG.SIO_PORT_WIDTH this can be set to 1, 2, 3, or 4 bits. The number of bits per port is common for all enabled ports, so the number of shift registers on the PCB must be equal to the number of enabled ports times the number of SGPIOs per port.

Enabling of ports and configuration of SGPIOs per port applies to both output mode and input mode. Unlike a regular GPIO port, a single SGPIO position can be used both as output and input. That is, software can control the output of the shift register AND read the input value at the same time. Using SGPIOs as inputs requires load-capable shift registers.

Regular shift registers and load-capable shift-registers can be mixed, which is useful when driving LED indications for integrated PHYs while supporting reading of link status from SFP modules, for example.

Figure 114 • SIO Timing



The SGPIO values are output in bursts followed by assertion of the SG[2:0]_LD signal. Values can be output as a single burst or as continuous bursts separated by a configurable burst gap. The maximum

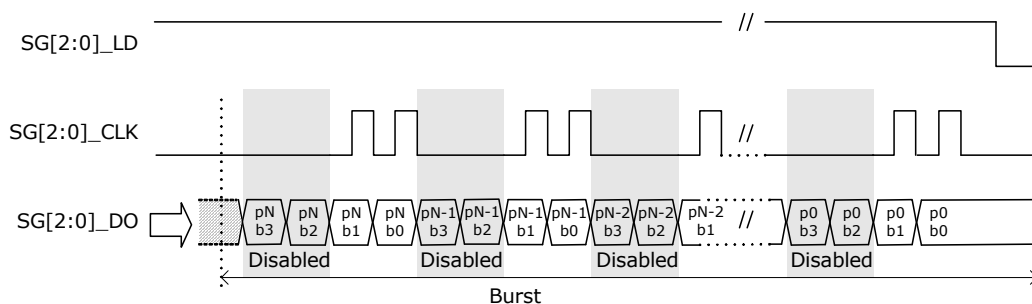
length of a burst is 32×4 data cycles. The burst gap is configurable in steps of approximately 1 ms, from 0 ms to 33 ms through SIO_CFG.SIO_BURST_GAP_DIS and SIO_CFG.SIO_BURST_GAP.

A single burst is issued by setting SIO_CFG.SIO_SINGLE_SHOT. The field is automatically cleared by hardware when the burst is finished. To issue continuous bursts, set SIO_CFG.SIO_AUTO_REPEAT. The SIO controller continues to issue bursts until SIO_CFG.SIO_AUTO_REPEAT is cleared.

SGPIO output values are configured in SIO_PORT_CFG.BIT_SOURCE. The input value is available in SIO_INPUT_DATA.

The following illustration shows what happens when the number of SGPIOs per port is configured to two (through SIO_CFG.SIO_PORT_WIDTH). Disabling ports (through SIO_PORT_ENA) is handled in the same way as disabling the SGPIO ports.

Figure 115 • SIO Timing with SGPIOs Disabled



The frequency of the SG[2:0]_CLK clock output is configured through SIO_CLOCK.SIO_CLK_FREQ. The SG[2:0]_LD output is asserted after each burst; this output is asserted for a period of 25 ns to 30 ns. The polarity of SG[2:0]_LD is configured in SIO_CFG.SIO_LD_POLARITY.

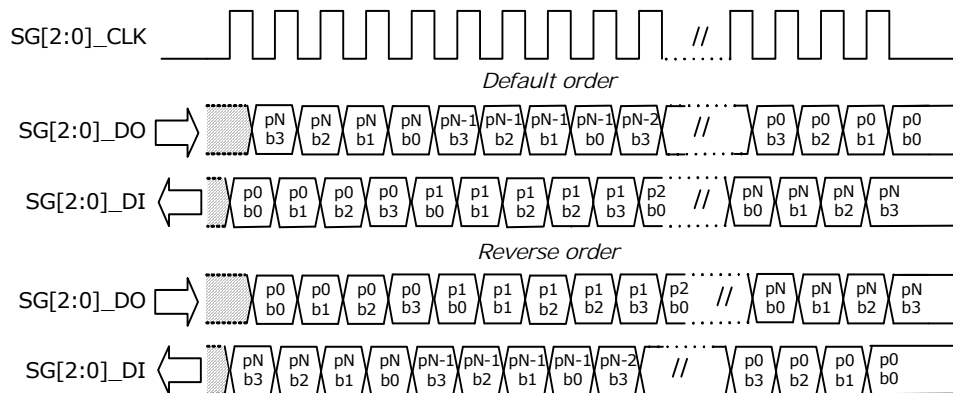
The SG[2:0]_LD output can be used to ensure that outputs are stable when serial data is being shifted through the registers. This can be done by using the SG[2:0]_LD output to shift the output values into serial-to-parallel registers after the burst is completed. If serial-to-parallel registers are not used, the outputs will toggle while the burst is being shifted through the chain of shift registers. A universal serial-to-parallel shift register outputs the data on a positive-edge load signal, and a universal parallel-to-serial shift register shifts data when the load pin is high, so one common load signal can be used for both input and output serial parallel conversion.

The assertion of SG[2:0]_LD happens after the burst to ensure that after power up, the single burst will result in well-defined output registers. Consequently, to sample input values one time, two consecutive bursts must be issued. The first burst results in the input values being sampled by the serial-to-parallel registers, and the second burst shifts the input values into the SIO controller.

The port order required in the serial bitstream depends on the physical layout of the shift register chain. Often the input and output port orders must be opposite in the serial streams. The port order of the input and output bitstream is independently configurable in SIO_CFG.SIO_REVERSE_INPUT and SIO_CFG.SIO_REVERSE_OUTPUT.

The following illustration shows the port order.

Figure 116 • SGPIO Output Order



5.8.9.1 Output Modes

The output mode of each SGPIO can be individually configured in SIO_PORT_CFG.BIT_SOURCE. The SIO controller features three output modes:

- Static
- Blink
- Link activity

The output mode can additionally be modified with PWM (SIO_PORT_CFG.PWM_SOURCE) and configurable polarity (SIO_PORT_CFG.BIT_POLARITY).

Static Mode The static mode is used to assign a fixed value to the SGPIO, for example, fixed 0 or fixed 1.

Blink Mode The blink mode makes the SGPIO blink at a fixed rate. The SIO controller features two blink modes that can be set independently. A SGPIO can then be configured to use either blink mode 0 or blink mode 1. The blink outputs are configured in SIO_CFG.SIO_BMODE_0 and SIO_CFG.SIO_BMODE_1. To synchronize the blink modes between different devices, reset the blink counter using SIO_CFG.SIO_BLINK_RESET. All the SIO controllers on a device must be reset at same time to maintain the synchronization. The burst toggle mode of blink mode 1 toggles the output with every burst.

Table 274 • Blink Modes

Register	Description
Blink Mode 0	0: 20 Hz blink frequency 1: 10 Hz blink frequency 2: 5 Hz blink frequency 3: 2.5 Hz blink frequency
Blink Mode 1	0: 20 Hz blink frequency 1: 10 Hz blink frequency 2: 5 Hz blink frequency 3: Burst toggle

Link Activity Mode The link activity mode makes the output blink when there is activity on the port module (Rx or Tx). The mapping between SIO port number and device is listed in the following table. Devices 0-52 are mapped to the 32 ports of SIO controller 0 and the first 21 ports of SIO controller 1.

High-speed 2G5 devices (ports 8 through 31) and 10G devices (ports 49 through 52) are also mapped to the first 29 ports of SIO controller 2.

Table 275 • SIO Controller Port Mapping

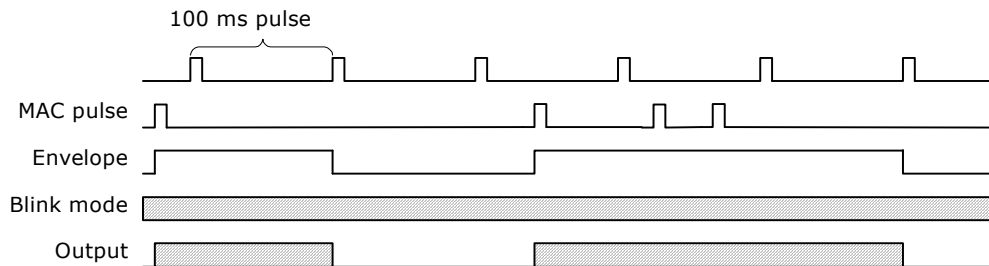
SIO Port	SG0 Mapping	SG1 Mapping	SG2 Mapping
0	Device 0	Device 32	Device 8
1	Device 1	Device 33	Device 9
2	Device 2	Device 34	Device 10
3	Device 3	Device 35	Device 11
4	Device 4	Device 36	Device 12
5	Device 5	Device 37	Device 13
6	Device 6	Device 38	Device 14
7	Device 7	Device 39	Device 15
8	Device 8	Device 40	Device 16
9	Device 9	Device 41	Device 17
10	Device 10	Device 42	Device 18
11	Device 11	Device 43	Device 19
12	Device 12	Device 44	Device 20
13	Device 13	Device 45	Device 21
14	Device 14	Device 46	Device 22
15	Device 15	Device 47	Device 23
16	Device 16	Device 48	Device 24
17	Device 17	Device 49	Device 25
18	Device 18	Device 50	Device 26
19	Device 19	Device 51	Device 27
20	Device 20	Device 52	Device 28
21	Device 21	Not mapped	Device 29
22	Device 22	Not mapped	Device 30
23	Device 23	Not mapped	Device 31
24	Device 24	Not mapped	Device 48
25	Device 25	Not mapped	Device 49
26	Device 26	Not mapped	Device 50
27	Device 27	Not mapped	Device 51
28	Device 28	Not mapped	Device 52
29	Device 29	Not mapped	Not mapped
30	Device 30	Not mapped	Not mapped
31	Device 31	Not mapped	Not mapped

The link activity mode uses an envelope signal to gate the selected blinking pattern (blink mode 0 or blink mode 1). When the envelope signal is asserted, the output blinks, and when the envelope pattern is de-asserted, the output is turned off. To ensure that even a single packet makes a visual blink, an activity pulse from the port module is extended to minimum 100 ms. If another packet is sent while the envelope

signal is asserted, the activity pulse is extended by another 100 ms. The polarity of the link activity modes can be set in SIO_PORT_CFG.BIT_SOURCE.

The following illustration shows the link activity timing.

Figure 117 • Link Activity Timing



5.8.9.2 SIO Interrupt

The SIO controller can generate interrupts based on the value of the input value of the SGPIOs. All interrupts are level sensitive.

Interrupts are enabled using the two registers. Interrupts can be individually enabled for each port in SIO_INTR_ENA (32 bits) and in SIO_CFG.SIO_GPIO_INTR_ENA (4 bits) interrupts are enabled for the four inputs per port. In other words, SIO_CFG.SIO_GPIO_INTR_ENA is common for all 32 ports.

The SIO controller has four interrupt registers that each has one bit for each of the 128 GPIOs:

- SIO_INTR_RAW is high if the corresponding input bit is high (corrected for polarity as configured in SIO_INTR_POL). This register changes when the input changes.
- SIO_INTR is high if the condition of the configured trigger mode for the bit is met. The trigger mode can be configured in SIO_INTR_TRIGGER0 and SIO_INTR_TRIGGER1 between level-triggered, edge-triggered, falling-edge-triggered, and rising-edge-triggered interrupt. This register is a sticky bit vector and can only be cleared by software. A bit is cleared by writing a 1 to the bit position.
- SIO_INTR_IDENT is the result of SIO_INTR with the disabled interrupts (from SIO_INTR_ENA and SIO_GPIO_INTR_ENA) removed. This register changes when SIO_INTR or the enable registers change.

The SIO controller has one interrupt output connected to the main interrupt controller, which is asserted when one or more interrupts in SIO_INTR_IDENT are active. To determine which SGPIO is causing the interrupt, the CPU must read this register. The interrupt output remains high until all interrupts in SIO_INTR_IDENT are cleared (either by clearing SIO_INTR or disabling the interrupts in SIO_INTR_ENA and SIO_GPIO_INTR_ENA).

5.8.9.3 Loss of Signal Detection

The SIO controller can propagate loss of signal detection inputs directly to the signal detection input of the port modules. This is useful when, for example, SFP modules are connected to the devices. The mapping between SIO ports and port modules is the same as for the link activity outputs; port 0 is connected to port module 0, port 1 is connected to port module 1, and so on.

The value of SGPIO bit 0 of each SIO port is forwarded directly to the loss of signal input on the corresponding port module. The port module must enable the loss of signal input locally.

Loss of signal can also be taken directly from overlaid functions on the regular GPIOs. In that case, the input from the SIO controller is ignored.

The polarity of the loss of signal input is configured using SIO_INT_POL, meaning the same polarity must be used for loss of signal detect and interrupt.

5.8.10 Fan Controller

The devices include a fan controller that can be used to control and monitor a system fan. A pulse width modulation (PWM) output regulates the fan speed. The fan speed is monitored using a TACHO input.

The fan controller is especially powerful when combined with the internal temperature sensor. For more information, see [Temperature Sensor](#), page 364.

The following table lists the registers associated with the fan controller.

Table 276 • Fan Controller

Register	Description
DEVCPU_GCB::FAN_CFG	General configuration
DEVCPU_GCB::FAN_CNT	Fan revolutions counter

The following table lists fan controller pins, which are overlaid on GPIOs. For more information about overlaid functions on the GPIOs for these signals, see [GPIO Overlaid Functions](#), page 354.

Table 277 • Fan Controller Pins

Register	I/O	Description
TACHO/GPIO	I	TACHO input for counting revolutions
PWM/GPIO	O	PWM fan output

The PWM output can be configured to any of the following frequencies in FAN_CFG.PWM_FREQ: 10 Hz, 20 Hz, 40 Hz, 60 Hz, 80 Hz, 100 Hz, 120 Hz, or 25 kHz.

The low frequencies can be used for driving three-wire fans using a FET/transistor. The 25 kHz frequency can be used for four-wire fans that use the PWM input internally to control the fan. The duty cycle of the PWM output is programmable from 0% to 100%, with 8-bit accuracy. The polarity of the output can be controlled by FAN_CFG.INV_POL, so a duty-cycle of 100%, for example, can be either always low or always high.

The PWM output pin can be configured to act as a normal output or as an open-collector output, where the output value of the pin is kept low, but the output enable is toggled. The open-collector output mode is enabled by setting FAN_CFG.PWM_OPEN_COL_ENA.

Note: By using open-collector mode, it is possible to externally pull-up to a higher voltage than the maximum GPIO I/O supply. The GPIO pins are 3.3V-tolerable.

The speed of the fan is measured using a 16-bit counter that counts the rising edges on the TACHO input. A fan usually gives one to four pulses per revolution, depending on the fan type. The counter value is available in the FAN_CNT register. Depending on the value of FAN_CFG.FAN_STAT_CFG, the FAN_CNT register is updated in two different ways:

- If FAN_CFG.FAN_STAT_CFG is set, the FAN_CNT register behaves as a 16-bit wrapping counter that shows the total number of ticks on the TACHO input.
- If FAN_CFG.FAN_STAT_CFG is cleared, the FAN_CNT register is updated one time per second with the number of TACHO ticks received during the last second.

Optionally, the TACHO input is gated by the polarity-corrected PWM output by setting FAN_CFG.GATE_ENA, so that only TACHO pulses received while the polarity corrected PWM output is high are counted. Glitches on the TACHO input can occur right after the PWM output goes high. As a result, the gate signal is delayed by 10 μ s when PWM goes high. There is no delay when PWM goes low, and the length of the delay is not configurable. Software must read the counter value in FAN_CNT and calculate the RPM of the fan.

An example of how to calculate the RPM of the fan is if the fan controller is configured to 100 Hz and a 20% duty cycle, each PWM pulse is high in 2 ms and low in 8 ms. If gating is enabled, the gating of the TACHO input is open in 1.99 ms and closed in 8.01 ms. If the fan is turning with 100 RPMs and gives two TACHO pulses per revolution, it will ideally give 200 pulses per minute. TACHO pulses are only counted in 19.99% of the time, so it will give $200 \times 0.1999 = 39.98$ pulses per minute. If the additional 10 μ s gating time is ignored, the counter value is multiplied by 2.5 to get the RPM value, because there is a 20% duty cycle with two TACHO pulses per revolution. By multiplying with 2.5, the RPM value is calculated to 99.95, which is 0.05% off the correct value (due to the 10 μ s gating time).

5.8.11 Temperature Sensor

This section provides information about the on-die temperature sensor. The temperature sensor logic continually monitors the temperature of the die and makes the information available for software.

The following table lists the registers associated with the temperature monitor.

Table 278 • Temperature Sensor Registers

Register	Description
DEVCPU_GCB::TEMP_SENSOR_CTRL	Enabling of sensor
DEVCPU_GCB::TEMP_SENSOR_STAT	Temperature value

The temperature sensor is enabled by setting TEMP_SENSOR_CTRL.SAMPLE_ENA. The temperature sensor then samples the temperature every 500 μ s and shows the current temperature in TEMP_SENSOR_STAT. The formula for converting TEMP field value to centigrade temperature is:

$$\text{Temp (}^{\circ}\text{C)} = 197.4 - 0.9530 \times \text{TEMP_SENSOR_STAT}$$

It takes approximately 500 μ s after setting SAMPLE_ENA until the first temperature sample is ready. The TEMP_SENSOR_STAT.TEMP_VALID field is set when the temperature value is available.

5.8.12 Memory Integrity Monitor

Soft errors happen in all integrated circuits as a result of natural alpha decay, cosmic radiation, or electrical disturbances in the environment in which the devices operate. The chance of soft errors happening in a memory (RAM) is higher than for flip-flop based logic, because the memory structures are physically small and changes require less outside force than in flip flops. The devices have built-in protection from soft errors by using error correcting code (ECC) on critical memories. In addition, the devices allow monitoring and reporting of soft error events.

The following table lists the registers associated with the memory integrity monitor.

Table 279 • Integrity Monitor Registers

Register	Description
DEVCPU_GCB::MEMITGR_CTRL	Trigger monitor state changes.
DEVCPU_GCB::MEMITGR_STAT	Current state of the monitor and memory status.
DEVCPU_GCB::MEMITGR_INFO	Shows indication when in DETECT state.
DEVCPU_GCB::MEMITGR_IDX	Shows memory index when in DETECT state.
DEVCPU_GCB::MEMITGR_DIV	Monitor speed.

The memory integrity monitor looks for memory soft-error indications. Correctable (single bit) and non-correctable (multibit or parity) indications are detected during memory read and can be read out from the controller. Software can read out indications regularly to test if there are non-correctable errors in the memories to which software has to respond.

The memory integrity monitor operates in three different states: IDLE, LISTEN, and DETECT. After a reset, the monitor starts in the IDLE state.

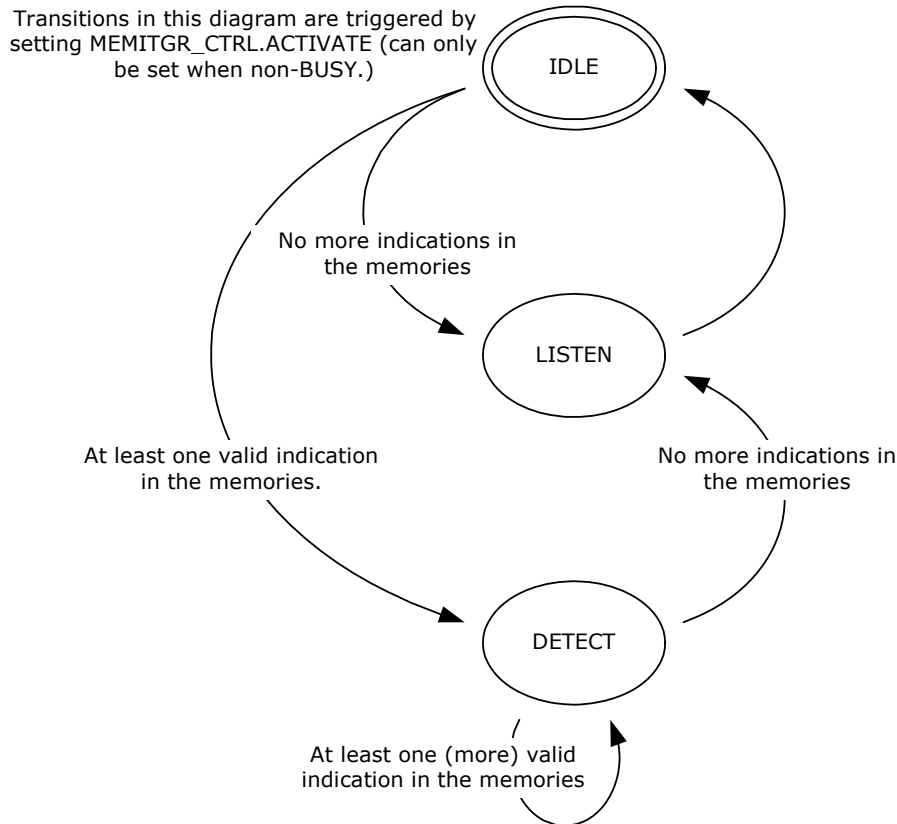
IDLE The monitor is deactivated and in quiet mode. In IDLE mode, the memories still correct, detect, and store indications locally, but they are not able to report indications to the monitor.

LISTEN In the LISTEN state, the monitor looks for indications in the memories. MEMITGR_STAT.INDICATION is set when indications are detected.

DETECT DETECT state is used when indications are read from the memories. It means that a valid indication is available in MEMITGR_INFO and the corresponding memory index in MEMITGR_IDX.

The current state of the monitor is reported in MEMITGR_STAT.MODE_IDLE, MEMITGR_STAT.MODE_DETECT, and MEMITGR_STAT.MODE_LISTEN. Software initiates transitions between states by setting the one-shot MEMITGR_CTRL.ACTIVATE field. It may take some time to transition from one state to the next. The MEMITGR_CTRL.ACTIVATE field is not cleared before the next state is reached (also the MEMITGR_STAT.MODE_BUSY field is set while transitioning between states).

Figure 118 • Monitor State Diagram



The first time after reset that MEMITGR_CTRL.ACTIVATE is set, the monitor resets the detection logic in all the memories and transitions directly from IDLE to LISTEN state.

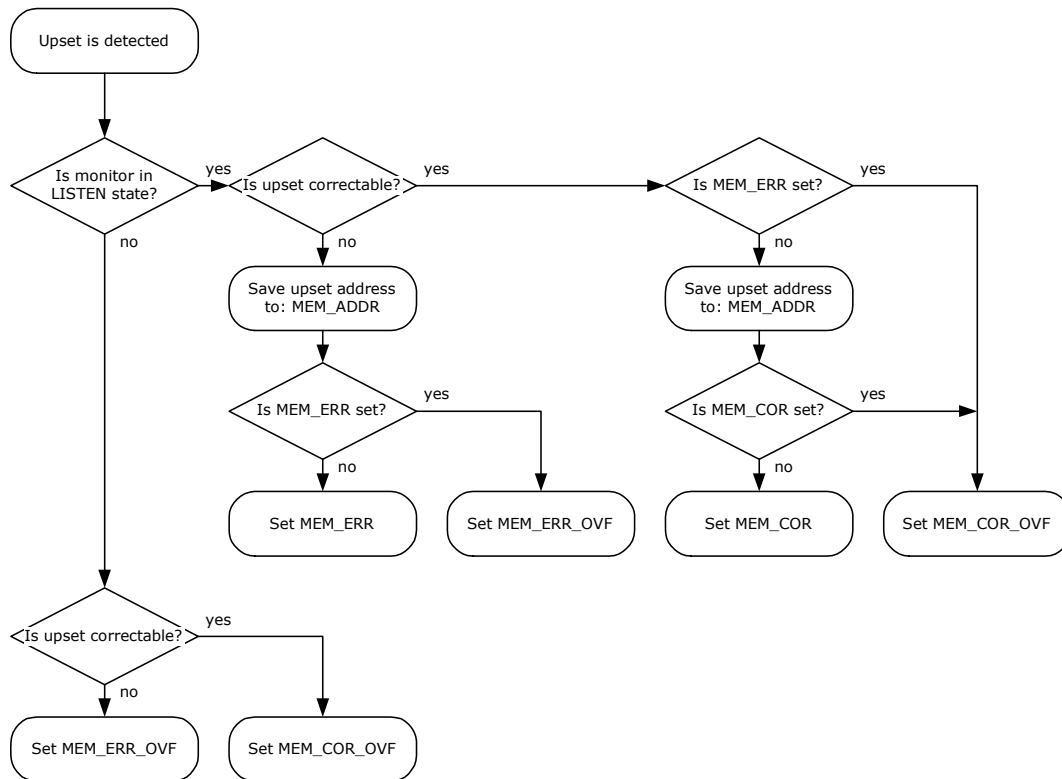
Before setting MEMITGR_CTRL.ACTIVATE for the first time, speed up the monitor by setting MEMITGR_DIV.MEM_DIV to the value specified in the registers list. The memories of the PCIe MAC are clock-gated and bypassed when PCIe interface is not enabled; enable monitoring of PCIe MAC memories by setting ICPU_CFG::PCIE_CFG.MEM_RING_CORE_ENA. This field must not be set when PCIe interface is not enabled.

To read out indications, first transition from LISTEN to IDLE, then continue transitioning until the LISTEN state is reached. Every time the monitor ends up in the DETECT state, an indication is available in the MEMITGR_INFO and MEMITGR_IDX registers. Each memory stores one indication. Indications are cleared when they are read by way of the monitor. Each indication contains four flags and one memory address.

- The MEM_ERR flag is set when a non-correctable upset is detected and the corresponding address is available in MEM_ADDR.
- The MEM_ERR_OVF flag is set when a non-correctable upset is detected for which address could not be stored.
- The MEM_COR flag is set when a correctable upset is detected and the corresponding address is available in MEM_ADDR.
- The MEM_COR_OVF flag is set when a correctable upset is detected for which address could not be stored.

Information about non-correctable upsets is prioritized over correctable upsets. Address can only be saved when the monitor is in LISTEN mode. The following flowchart shows how the detection logic sets flags and address.

Figure 119 • Memory Detection Logic



If the MEM_ERR_OVF or MEM_COR_OVF flag is set, at least one event has occurred for which the address could not be stored.

The following table shows ECC-enabled memories in the devices, their index, and the recommended approach for handling indications. If the controller reports an index that is not mentioned in the list, the recommended approach is to reboot the devices.

Table 280 • Memories with Integrity Support

Index	Description
181	<p>VCAP ES0 action RAM. A non-correctable event means that an incorrect action was applied to a frame during the VCAP ES0 lookup. (Events can also be generated as a result of reading actions out of memory and into the VCAP cache.) It is not possible to identify and remove the frame from the devices. The recommended approach is to correct the VCAP action and resume normal operation. There is a 1:1 relation between the event address and row index in the VCAP. For a non-correctable upset, the action or actions at row-index corresponding to the event address must be rewritten (a copy of the actions must be kept in program memory). If address is unknown, rewrite all rows in VCAP ES0. For correctable upset, the action can either be rewritten (as described previously) or it can be read into VCAP cache and written back to action memory. The latter approach will generate another correctable event for this memory. In case of unknown address, rewrite or read/write-back all rows in VCAP ES0.</p>

Table 280 • Memories with Integrity Support (continued)

Index	Description
186	VCore-III system extraction group RAM. A non-correctable event means that incorrect frame data was provided to an extraction group. If the event address is in the 0 through 7 range, extraction group 0 is affected, else extraction group 1 is affected. The recommended action depends on the owner of the implicated group (see DEVCPU_QS::XTR_GRP_CFG.MODE). VRAP: An erred register operation may have been performed. The recommended approach is to reboot the devices. Others: An erred frame was or is extracted. Discard frames and resume normal operation. If discarding of frames is not possible then the recommended approach is to reboot the devices (and implicated software). Correctable events should be ignored and normal operation resumed.
187-194	PCIe MAC RAMs. Non-correctable event means that an outbound PCIe package or inbound PCIe request has been corrupted. It is not possible to identify the offending packet or access; the result may have sent external software or the devices into an unknown state. Recommended approach is to reboot the devices. Correctable events should be ignored and normal operation resumed.
5-10, 16, 17, 19, 26, 32, 103, 142-145, 148-159	These memories may generate false ECC indications during normal operation. The hardware correction logic is working, so soft errors will be corrected. Events should be ignored and normal operation resumed.
Others	For unlisted indexes, the recommended approach is to reboot the devices.

The VCore-III CPU implements parity protection of all VCore-III cache structures as specified by MIPS architecture. For information about how to enable parity protection and interrupt on parity upsets, see the MIPS documentation.

Reading from uninitialized memory locations has a high plausibility of triggering non correctable or correctable indications. This is useful when developing integrity monitor software driver. For example, powering up a system without initializing the VCAPs and reading actions and sticky bits will trigger monitor indications. Note that the contents of memories are not changed by device reset, so power cycle is needed to reset the memories.

5.8.13 Interrupt Controller

This section provides information about the VCore-III interrupt controller.

The following table lists the registers associated with the interrupt controller.

Table 281 • Interrupt Controller Registers

Register	Description
ICPU_CFG::INTR_RAW	Current value of interrupt inputs
ICPU_CFG::INTR_BYPASS	Forces non-sticky function
ICPU_CFG::INTR_TRIGGER	Configures edge or level sensitive events
ICPU_CFG::INTR_FORCE	Forces events (for software debug)
ICPU_CFG::INTR_STICKY	Currently logged events
ICPU_CFG::INTR_ENA	Enables interrupt sources
ICPU_CFG::INTR_ENA_CLR	Atomic clear of bits in INTR_ENA

Table 281 • Interrupt Controller Registers (continued)

Register	Description
ICPU_CFG::INTR_ENA_SET	Atomic set of bits in INTR_ENA
ICPU_CFG::INTR_IDENT	Currently enabled and interrupting sources
ICPU_CFG::DST_INTR_MAP	Mapping of interrupt sources to destinations
ICPU_CFG::DST_INTR_IDENT	Currently enabled, mapped, and interrupting sources per destination
ICPU_CFG::DEV_INTR_POL	Polarity of module interrupt inputs
ICPU_CFG::DEV_INTR_RAW	Current value of module interrupts
ICPU_CFG::DEV_INTR_BYPASS	Forces non-sticky function for module interrupts
ICPU_CFG::DEV_INTR_TRIGGER	Configures edge or level sensitive events for module interrupts
ICPU_CFG::DEV_INTR_STICKY	Currently logged module interrupt events
ICPU_CFG::DEV_INTR_ENA	Enables module interrupts
ICPU_CFG::DEV_INTR_IDENT	Currently interrupting and enabled module interrupts
ICPU_CFG::EXT_SRC_INTR_POL	Polarity of external interrupt inputs
ICPU_CFG::EXT_DST_INTR_POL	Polarity of external interrupt outputs
ICPU_CFG::EXT_DST_INTR_DRV	Drive mode for external interrupt outputs

The interrupt controller maps interrupt sources from VCore-III and switch core blocks, port modules, and external interrupt inputs to four interrupt destinations. Two interrupt destinations are mapped to the VCore-III CPU, and two can be transmitted from the devices using the overlaid functions on GPIOs or using PCIe inband interrupt signaling.

The following table lists the available interrupt sources in the devices.

Table 282 • Interrupt Sources

Source Name	Description
DEV	Aggregated port module interrupt. This interrupt is asserted if there is an active and enabled interrupt from any of the VSC7442-02, VSC7444-02, VSC7448-02, and VSC7449-02 device's port modules. See Port Module Interrupts. This interrupt has bit index 0 in INTR_* and DST_INTR_* registers.
EXT_SRC0	External interrupt source 0. See External Interrupts. This interrupt has bit index 1 in INTR_* and DST_INTR_* registers.
EXT_SRC1	External interrupt source 1. See External Interrupts. This interrupt has bit index 2 in INTR_* and DST_INTR_* registers.
TIMER0	Timer 0 interrupt. See Timers. This interrupt has bit index 3 in INTR_* and DST_INTR_* registers.
TIMER1	Timer 1 interrupt. See Timers. This interrupt has bit index 4 in INTR_* and DST_INTR_* registers.
TIMER2	Timer 2 interrupt. See Timers. This interrupt has bit index 5 in INTR_* and DST_INTR_* registers.
UART	UART interrupt. See UART Interrupt. This interrupt has bit index 6 in INTR_* and DST_INTR_* registers.
UART2	UART2 interrupt. See UART Interrupt. This interrupt has bit index 7 in INTR_* and DST_INTR_* registers.

Table 282 • Interrupt Sources (continued)

Source Name	Description
TWI	TWI interrupt. See Two-Wire Serial Interface Interrupt. This interrupt has bit index 8 in INTR_* and DST_INTR_* registers.
TWI2	TWI2 interrupt. See Two-Wire Serial Interface Interrupt. This interrupt has bit index 9 in INTR_* and DST_INTR_* registers.
SIMC	Serial Master Controller interrupt. See Serial Master Controller Interrupt. This interrupt has bit index 10 in INTR_* and DST_INTR_* registers.
SW0	Software interrupt 0. See Mailbox and Semaphores. This interrupt has bit index 11 in INTR_* and DST_INTR_* registers.
SW1	Software interrupt 1. See Mailbox and Semaphores. This interrupt has bit index 12 in INTR_* and DST_INTR_* registers.
SGPIO0	Serial GPIO interrupt 0. See SIO Interrupt. This interrupt has bit index 13 in INTR_* and DST_INTR_* registers.
SGPIO1	Serial GPIO interrupt 1. See SIO Interrupt. This interrupt has bit index 14 in INTR_* and DST_INTR_* registers.
SGPIO2	Serial GPIO interrupt 2. See SIO Interrupt. This interrupt has bit index 15 in INTR_* and DST_INTR_* registers.
GPIO	Parallel GPIO interrupt. See GPIO Interrupt. This interrupt has bit index 16 in INTR_* and DST_INTR_* registers.
MIIM0	MIIM Controller 0 interrupt. See MII Management Interrupt. This interrupt has bit index 17 in INTR_* and DST_INTR_* registers.
MIIM1	MIIM Controller 1 interrupt. See MII Management Interrupt. This interrupt has bit index 18 in INTR_* and DST_INTR_* registers.
MIIM2	MIIM Controller 2 interrupt. See MII Management Interrupt. This interrupt has bit index 19 in INTR_* and DST_INTR_* registers.
FDMA	Frame DMA interrupt, see FDMA Events and Interrupts. This interrupt has bit index 20 in INTR_* and DST_INTR_* registers.
ANA	Analyzer interrupt. See Interrupt Handling. This interrupt has bit index 21 in INTR_* and DST_INTR_* registers.
PTP_RDY	Time stamp ready interrupt. See Hardware Time Stamping Module. This interrupt has bit index 22 in INTR_* and DST_INTR_* registers.
PTP_SYNC	PTP synchronization interrupt. See Master Timer. This interrupt has bit index 23 in INTR_* and DST_INTR_* registers.
XTR_RDY	Extraction data ready interrupt. See Frame Extraction. This interrupt has bit index 25 in INTR_* and DST_INTR_* registers.
INJ_RDY	Injection ready interrupt. See Frame Injection. This interrupt has bit index 26 in INTR_* and DST_INTR_* registers.
PCIE	PCIe interrupt. See Power Management. This interrupt has bit index 27 in INTR_* and DST_INTR_* registers.
OAM_VOP	OAM/VOP interrupt. See Interrupt Controller. This interrupt has bit index 28 in INTR_* and DST_INTR_* registers.

The following table lists the available interrupt destinations in the devices.

Table 283 • Interrupt Destinations

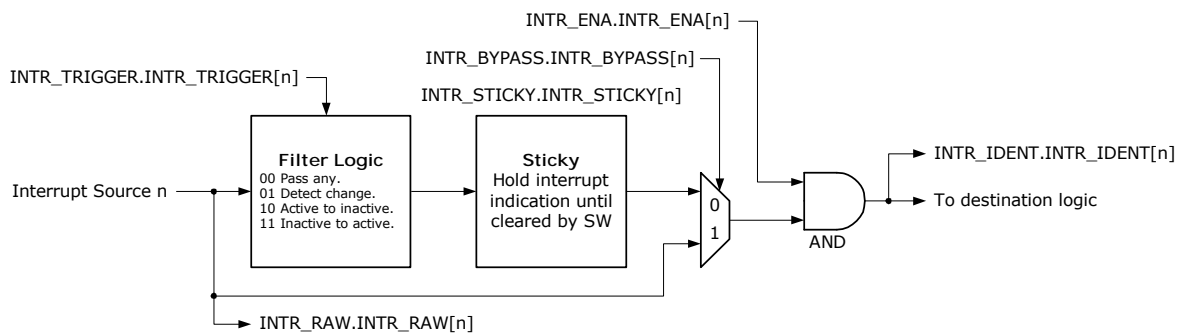
Destination Name	Description
CPU0	Interrupt 0 to VCore-III CPU. This interrupt has replication index 0 in DST_INTR_* registers.
CPU1	Interrupt 1 to VCore-III CPU. This interrupt has replication index 1 in DST_INTR_* registers.
EXT_DST0	External interrupt destination 0. See External Interrupts. This interrupt has replication index 2 in DST_INTR_* registers.
EXT_DST1	External interrupt destination 1. See External Interrupts. This interrupt has replication index 3 in DST_INTR_* registers.

All interrupts, events, and indications inside in the interrupt controller are active high. If an interrupt source supports polarity correction, it is applied before going into the interrupt controller. If an interrupt destination supports polarity correction, it is applied after leaving the interrupt controller.

5.8.13.1 Interrupt Source Configuration

Interrupt sources are handled identically inside the interrupt controller. This section describes interrupt source n , which refers to the bit index of that interrupt source in the INTR_* and DST_INTR_* registers. The following illustration shows the logic associated with a single interrupt source.

Figure 120 • Interrupt Source Logic



The current value of an interrupt source is available in INTR_RAW.INTR_RAW[n].

INTR_STICKY.INTR_STICKY[n] is set when the interrupt controller detects an interrupt. There are two detection methods:

- When INTR_TRIGGER.INTR_TRIGGER[n] is set to level-activated, the interrupt controller continually sets INTR_STICKY.INTR_STICKY[n] for as long as the interrupt source is active.
- When INTR_TRIGGER.INTR_TRIGGER[n] is set to edge-triggered, the interrupt controller only sets INTR_STICKY.INTR_STICKY[n] when the interrupt source changes value.
- When INTR_TRIGGER.INTR_TRIGGER[n] is set to falling-edge-triggered, the interrupt controller only sets INTR_STICKY.INTR_STICKY[n] when the interrupt source changes from active to inactive value.
- When INTR_TRIGGER.INTR_TRIGGER[n] is set to rising-edge-triggered, the interrupt controller only sets INTR_STICKY.INTR_STICKY[n] when the interrupt source changes from inactive to active value.

Software can clear INTR_STICKY.INTR_STICKY[n] by writing 1 to bit n . However, the interrupt controller will immediately set this bit again if the source input is still active (when INTR_TRIGGER is 0) or if it sees a triggering event on the source input (when INTR_TRIGGER different from 0).

The interrupt source is enabled in INTR_ENA.INTR_ENA[n]. When INTR_STICKY.INTR_STICKY[n] is set and the interrupt is enabled, the interrupt is indicated towards the interrupt destinations. For more

information, see Interrupt Destination Configuration. An active and enabled interrupt source sets INTR_IDENT.INTR_IDENT[n].

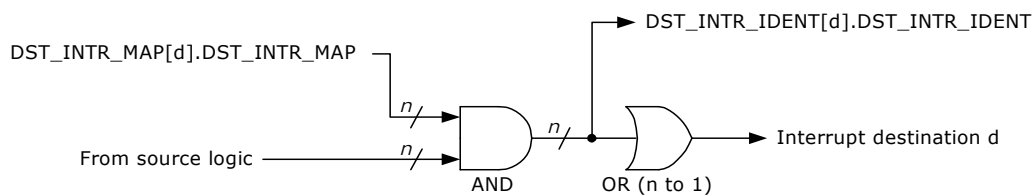
On rare occasions it is desirable to bypass the stickiness of interrupt sources and use INTR_RAW.INTR_RAW[n] directly instead of INTR_STICKY.INTR_STICKY[n]. Set INTR_BYPASS.INTR_BYPASS[n] to enable bypass and ignore INTR_STICKY and INTR_TRIGGER configurations.

Note: The bypass function may be useful for some software interrupt handler architectures. It should only be used for interrupt sources that are guaranteed to be sticky in the source block. For example, the GPIO interrupts that are generated from sticky bits in DEV_CPU_GCB::GPIO_INTR may be applicable for the bypass mode.

5.8.13.2 Interrupt Destination Configuration

The four interrupt destinations are handled identically in the interrupt controller. This section describes destination d, which refers to the replication index of that interrupt in the DST_INTR_* registers. The following illustration shows the logic associated with a single interrupt destination.

Figure 121 • Interrupt Destination Logic



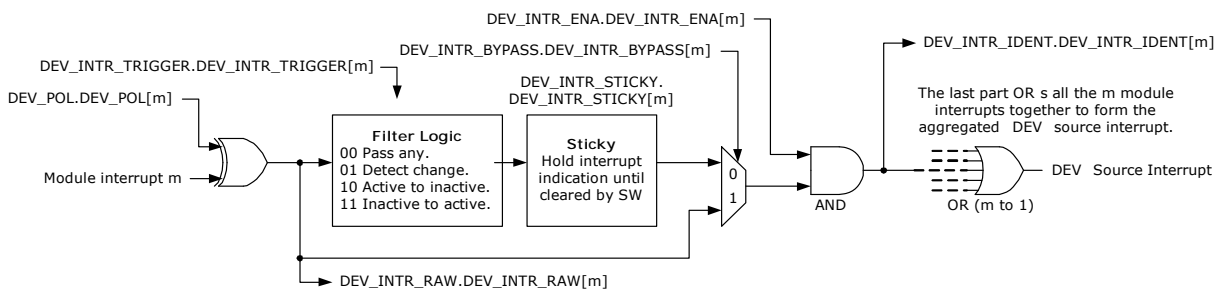
The interrupt destination can enable individual sources for interrupt by writing a mask to DST_INTR_MAP[d].DST_INTR_MAP. When a source is enabled in DST_INTR_MAP then an interrupt from this source will be propagated to the interrupt destination.

The currently active and enabled source interrupts for a destination can be seen by reading DST_INTR_IDENT[d].DST_INTR_IDENT.

5.8.13.3 Port Module Interrupts

Each port module can generate an interrupt. Because there are too many modules to handle the interrupts in parallel with the other source interrupts in the INTR_* registers, the port module interrupts are aggregated in a separate source interrupt hierarchy before being presented to the interrupt controller source logic as the DEV source interrupt.

Figure 122 • Port Module Interrupt Logic



The module interrupt polarity is configurable in DEV_INTR_POL.DEV_INTR_POL[m].

DEV_INTR_RAW, DEV_INTR_TRIGGER, DEV_INTR_STICKY, DEV_INTR_BYPASS, DEV_INTR_ENA, and DEV_INTR_IDENT works in the same way as the INTR_* counterparts. For more information, see Interrupt Source Configuration, page 370.

The final step when handling module interrupts is an aggregation of all individual module interrupts to the DEV source interrupt.

5.8.13.4 External Interrupts

The interrupt controller supports two external source interrupts (inputs to the devices) and two external destination interrupts (outputs from the devices). The external interrupts are mapped to GPIOs using overlaid functions. For more information about overlaid functions on the GPIOs for these signals, see [GPIO Overlaid Functions](#), page 354.

Source and destination interrupts works independently from each other and can be used at the same time. The polarity (active high or low) of source and destination interrupts is configured in EXT_SRC_INTR_POL and EXT_DST_INTR_POL respectively.

Table 284 • External Interrupt Pins

Register	I/O	Description
IRQ0_IN/GPIO	I	External Source Interrupt 0. Polarity is configured in EXT_SRC_INTR_POL.EXT_INTR_POL[0].
IRQ1_IN/GPIO	I	External Source Interrupt 1. Polarity is configured in EXT_SRC_INTR_POL.EXT_INTR_POL[1].
IRQ0_OUT/GPIO	O	External Destination Interrupt 0. Polarity is configured in EXT_DST_INTR_POL.EXT_INTR_POL[0]. This interrupt can also be mapped to GPIO (replaces source interrupt).
IRQ1_OUT/GPIO	O	External Destination Interrupt 1. Polarity is configured in EXT_DST_INTR_POL.EXT_INTR_POL[1]. This interrupt can also be mapped to GPIO (replaces source interrupt).

For destination interrupts it is possible to drive the output pin permanently or emulate open-collector output.

- To drive permanently, configure EXT_INTR_DRV[e] = 0.
- To emulate open collector output, configure EXT_INTR_DRV[e] = 1 and EXT_INTR_POL[e] = 0. To safely enable open-collector output, the EXT_INTR_DRV and EXT_INTR_POL registers must be configured before enabling the overlaid function in the GPIO controller.

Note: Open collector output mode is required when multiple interrupt sources are hooked up to the same interrupt wire on the PCB and the wire is be pulled high with a resistor. Each interrupt source can then drive the wire low via open-collector output when they want to signal interrupt.

6 Electrical Specifications

This section provides the DC characteristics, AC characteristics, recommended operating conditions, and stress ratings for the VSC7442-02, VSC7444-02, VSC7448-02, and VSC7449-02 devices.

6.1 DC Characteristics

This section contains the DC specifications for the devices.

6.1.1 Internal Pull-Up or Pull-Down Resistors

Internal pull-up or pull-down resistors are specified in the following table. For more information about signals with internal pull-up or pull-down resistors, see the Pins by Function section for the specific device.

All internal pull-up resistors are connected to their respective I/O supply.

Table 285 • Internal Pull-Up or Pull-Down Resistors

Parameter	Symbol	Minimum	Maximum	Unit
Internal pull-up resistor	R_{PU}	25	90	k Ω
Internal pull-down resistor	R_{PD}	25	112	k Ω

6.1.2 Reference Clock

The following table lists the DC specifications for the differential reference clock signals. Differential and single-ended modes are supported.

Table 286 • Reference Clock Inputs

Parameter	Symbol	Minimum	Typical	Maximum	Unit
Input voltage range	V_{IP}, V_{IN}	-25		1200	mV
Single-ended input swing	$ V_{SE} $	600		1000 ¹	mV
Differential peak-to-peak input swing	$ V_{ID} $	200		1200	mVppd
Input common-mode voltage	V_{CM}		$\frac{2}{3} \times V_{DD}$		mV

1. Input common-mode voltage and amplitude must not exceed 1200 mV.

6.1.3 Clock Output

The following table lists the DC specifications for the CLKOUT2 driver.

Table 287 • CLKOUT2 Driver

Parameter	Symbol	Minimum	Typical	Maximum	Unit	Condition
Differential resistance	R_{DIFF}	80	100	120	Ω	
Differential peak-to-peak output swing	V_{OD}	290		510	mVppd	
Differential peak-to-peak output swing	V_{OD}	360		635	mVppd	See note ¹ .
Output common-mode voltage	V_{CM}	$V_{DD_A} - 500$ mV		V_{DD_A}	mV	

1. Driver amplitude depends on driver-to-receiver adaptation configured in register. Increased amplitude can be achieved if the receiver is common-mode terminated to V_{DD_A} and if the driver is configured accordingly.

6.1.4 DDR3/DDR3L SDRAM Interface

This section provides the DC specifications for the DDR3 and DDR3L interfaces.

The DDR3 SDRAM interface supports the requirements of SDRAM devices as described in the JEDEC DDR3 specifications. The SDRAM interface signals are compatible with JESD79-3F (DDR3 SDRAM SPECIFICATION, July 2012) and JESD79-3-1A, January 2013. The SSTL I/O buffers have programmable on-die termination (ODT).

6.1.4.1 DDR3/DDR3L SDRAM Interface

The following table lists the DC specifications for the SDRAM interface signals in DDR3 operation.

Table 288 • DDR3 SDRAM Signals

Parameter	Symbol	Minimum	Maximum	Unit	Condition
Input reference voltage ¹	DDR_VREF	49% V _{DD_IODDR}	51% V _{DD_IODDR}	V	V _{DD_IODDR} = 1.5 V.
Input voltage high	V _{IH(DC)}	DDR_VREF + 0.100	V _{DD_IODDR}	V	
Input voltage low	V _{IL(DC)}	-0.3	DDR_VREF - 0.100	V	
Output voltage high	V _{OH(DC)}	0.8 × V _{DD_IODDR}		V	Not terminated, 1 pF load.
Output voltage low	V _{OL(DC)}	-0.3	0.2 × V _{DD_IODDR}	V	Not terminated, 1 pF load.
Input leakage current	I _L		40	μA	0 V ≤ V _I ≤ V _{DD_IODDR} .
Output source DC current ²	I _{OH}	-6		mA	External 40 Ω termination to V _{DD_IODDR} /2.
Output sink DC current ²	I _{OL}	6		mA	External 40 Ω termination to V _{DD_IODDR} /2.

1. DDR_VREF is expected to track variations in V_{DD_IODDR}. Peak-to-peak AC noise on DDR_VREF must not exceed ±2% of DDR_VREF.
2. With 34 Ω output driver impedance.

6.1.4.2 DDR3L SDRAM Interface

The following table lists the DC specifications for the SDRAM interface signals in DDR3L operation.

Table 289 • DDR3L SDRAM Signals

Parameter	Symbol	Minimum	Maximum	Unit	Condition
Input reference voltage ¹	DDR_VREF	49% V _{DD_IODDR}	51% V _{DD_IODDR}	V	V _{DD_IODDR} = 1.35 V.
Input voltage high	V _{IH(DC)}	DDR_VREF + 0.09	V _{DD_IODDR}	V	
Input voltage low	V _{IL(DC)}	-0.3	DDR_VREF - 0.09	V	
Output voltage high	V _{OH(DC)}	0.8 × V _{DD_IODDR}		V	Not terminated, 1 pF load
Output voltage low	V _{OL(DC)}		0.2 × V _{DD_IODDR}	V	Not terminated, 1 pF load.
Input leakage current	I _L		40	μA	0 V ≤ V _I ≤ V _{DD_IODDR} .
Output source DC current ²	I _{OH}	-6		mA	External 40 Ω termination to V _{DD_IODDR} /2.
Output sink DC current ²	I _{OL}	6		mA	External 40 Ω termination to V _{DD_IODDR} /2.

1. DDR_VREF is expected to track variations in V_{DD_IODDR}. Peak-to-peak AC noise on DDR_VREF must not exceed ±2% of DDR_VREF.
2. With 34 Ω output driver impedance.

6.1.5 SERDES1G

This section describes the DC specifications for the SERDES1G transceiver. The transceiver supports 100BASE-FX, SFP, 1000BASE-KX, and SGMII modes.

The following table lists the DC specifications for the 1G transmitter.

Table 290 • 1G Transmitter

Parameter	Symbol	Minimum	Typical	Maximum	Unit	Condition
Differential resistance	R_{DIFF}	80	100	120	Ω	
Output voltage high	V_{OH}			1050	mV	
Output voltage low	V_{OL}	0			mV	
Differential peak-to-peak output voltage ¹	V_{O_DIFF}	300		800	mVppd	100BASE-FX, SGMII
Differential peak-to-peak output voltage ¹	V_{O_DIFF}	500		1200	mVppd	SFP
Differential peak-to-peak output voltage ¹	V_{O_DIFF}	800		1100	mVppd	1000BASE-KX
Differential peak-to-peak output voltage with Tx disabled	V_{OD_IDLE}			30	mVppd	

1. Output amplitude is configurable in 16 steps.

The following table lists the DC characteristics for the 1G receiver.

Table 291 • 1G Receiver

Parameter	Symbol	Minimum	Typical	Maximum	Unit	Condition
Differential resistance	R_{DIFF}	80	100	120	Ω	
Absolute input voltage range	V_{IN}	-25		1200	mV	
Common-mode voltage	V_{CM_AC}	0		V_{DD_A}	mV	AC-coupled operation ¹
Common-mode voltage	V_{CM_DC}		$0.7 \times V_{DD_A}$		mV	DC-coupled operation ^{2, 3}
Differential peak-to-peak input voltage	V_{IN_DIFF}	100		1600	mVppd	See note ⁴

1. Compatibility to SGMII transmitters requires external AC-coupling. The maximum common-mode voltage is provided without a differential signal. It is limited by the minimum and maximum input voltage range and the input's signal amplitude.
2. For information about optional DC-coupling, contact your Microsemi sales representative.
3. Common-mode termination disabled. The maximum differential peak-to-peak input is limited by the maximum input voltage range.
4. Applies to all supported modes. For 100BASE-FX, disable internal AC-coupling.

6.1.6 SERDES6G

This section provides the DC specifications for the 6G transceiver. The transceiver supports the following modes:

- 100BASE-FX
- SGMII
- SFP
- 2.5G
- PCIe
- QSGMII
- XAUI
- RXAUI
- 10GBASE-CX4
- 10GBASE-KX4

The following table lists the DC specifications for the 6G transmitter.

Table 292 • 6G Transmitter

Parameter	Symbol	Minimum	Typical	Maximum	Unit	Condition
Differential resistance	R_{DIFF}	80	100	120	Ω	
Output voltage high	V_{OH}			V_{DD_Vx} ¹	mV	
Output voltage low	V_{OL}	0			mV	
Differential peak-to-peak output voltage ²	V_{O_DIFF}	300		800	mVppd	100BASE-FX, SGMII ³
Differential peak-to-peak output voltage ²	V_{O_DIFF}	400		750	mVppd	QSGMII ⁴ , RXAUI ^{4, 5}
Differential peak-to-peak output voltage ²	V_{O_DIFF}	500		1200	mVppd	SFP, 2.5G
Differential peak-to-peak output voltage ²	V_{O_DIFF}	800		1200	mVppd	1000BASE-KX, XAUI, PCIe, 10GBASE-CX4, 10GBASE-KX4 ⁴
Differential peak-to-peak output voltage with Tx disabled	V_{OD_IDLE}			30	mVppd	
Output current, driver shorted to GND	T_ISG			40	mA	

1. V_{DD_V1} for ports S9 – S24 and V_{DD_V2} for ports S25 – S32 and PCIe.
2. Drive level depends on register configuration.
3. Compatibility to SGMII receiver requires AC-coupling.
4. Compatibility to supported standards requires 1.2 V supply for driver.
5. RXAUI mode complies to the characteristics as specified for CEI-6G-SR interface according to OIF-CEI-02.0.

The following table lists the DC characteristics for the 6G receiver.

Table 293 • 6G Receiver

Parameter	Symbol	Minimum	Typical	Maximum	Unit	Condition
Differential resistance	R_{DIFF}	80	100	120	Ω	
Absolute input voltage range	V_{IN}	-25		1200	mV	
Common-mode voltage	V_{CM}	0	Internal V_{CM}		mV	AC-coupled operation ¹
Common-mode voltage	V_{CM}		V_{DD_A}		mV	DC-coupled operation, load type 2 ¹
Differential peak-to-peak input voltage	V_{IN_DIFF}	100		1600	mVppd	See note ²

1. Mode for common-mode termination is specified by configuration register setting. Input amplitude in DC-coupled mode must not exceed maximum input voltage range. For more information about optional DC-coupling, contact your Microsemi representative.
2. Compatibility to SGMII transmitter requires AC-coupling.

6.1.7 SERDES10G

This section provides the DC specifications for the 10G transceiver. The transceiver supports the following modes:

- 100BASE-FX
- SGMII
- SFP
- 1000BASE-KX
- 2.5G

- 10GBASE-KR
- SFP+ (SFI)

The following table lists the 10G transmitter specifications.

Table 294 • 10G Transmitter

Parameter	Symbol	Minimum	Typical	Maximum	Unit	Condition
Differential resistance	R_{DIFF}	80	100	120	Ω	
Differential peak-to-peak output voltage ¹	V_{O_DIFF}	300		800	mVppd	100BASE-FX, SGMII
Differential peak-to-peak output voltage ¹	V_{O_DIFF}	500		1200	mVppd	SFP ² , 1000BASE-KX ³ , 2.5G
Differential peak-to-peak output voltage ¹	V_{O_DIFF}	800 ²		1200	mVppd	10GBASE-KR ³
Differential peak-to-peak output voltage with Tx disabled	V_{OD_IDLE}			30	mVppd	

1. Differential output swing is register configurable.
2. The minimum drive level is the lowest guaranteed drive level achievable with the maximum amplitude configuration applied.
3. Compatibility to supported standard requires $V_{DD_HS} = 1.2$ V supply for output driver.

The following table lists the 10G receiver specifications.

Table 295 • 10G Receiver

Parameter	Symbol	Minimum	Typical	Maximum	Unit	Condition
Differential resistance	R_{DIFF}	80	100	120	Ω	
Differential peak-to-peak input voltage range	V_{I_DIFF}	100		1200	mVppd	Clean eye sensitivity
AC-coupling ¹				100	nF	

1. AC-coupling should be done at receiver.

6.1.8 GPIO, SI, JTAG, and Miscellaneous Signals

This section provides the DC specifications for the GPIO, SI, JTAG, and miscellaneous signals.

The following I/O signals comply with the specifications provided in this section:

Table 296 • I/O Signals

GPIO[63:0]	JTAG_nTRST	JTAG_ICE_nEN
SI_CLK	JTAG_TMS	nRESET
SI_DI	JTAG_TDO	REFCLK_SEL[2:0]
SI_DO	JTAG_TCK	REFCLK2_EN
SI_nCS0	JTAG_TDI	REFCLK2_SEL[2:0]

The outputs and inputs meet or exceed the requirements of the LVTTTL and LVC MOS standard, JEDEC JESD8-B (September 1999) standard, unless otherwise stated. The inputs are Schmitt-trigger for noise immunity.

Table 297 • GPIO, SI, JTAG, and Miscellaneous Signals DC Specifications

Parameter	Symbol	Minimum	Maximum	Unit	Condition
Output high voltage	V_{OH}	2.4		V	$I_{OH} = -10$ mA
Output low voltage	V_{OL}		0.4	V	$I_{OL} = 10$ mA
Input high voltage	V_{IH}	2.0	3.6	V	
Input low voltage	V_{IL}	-0.3	0.8	V	
Input high current ¹	I_{IH}		10	μ A	$V_I = V_{DD_IO33}$
Input low current ¹	I_{IL}	-10		μ A	$V_I = 0$ V

1. Input high current and input low current equals the maximum leakage current, excluding the current in the built-in pull resistors.

6.1.9 MII Management

The outputs and inputs of the MII Management (MIIM) interface meet or exceed the requirements of IEEE 802.3-2002 for the MII (Clause 22.4), except for 5.5 V input tolerance.

The MIIM0 interface has a separate supply pin allowing operation in either 2.5 V or 3.3 V mode.

All MII Management outputs and inputs comply with the specifications in the following table.

Table 298 • MIIM Interface DC Specifications

Parameter	Symbol	Minimum	Maximum	Unit	Condition
Output high voltage, $V_{DD_MIIM0} = 2.5$ V	V_{OH}	2.0		V	$I_{OH} = -10$ mA
Output high voltage, $V_{DD_MIIM0} = 3.3$ V	V_{OH}	2.4		V	$I_{OH} = -10$ mA
Output low voltage, $V_{DD_MIIM0} = 2.5$ V	V_{OL}	-0.3	0.4	V	$I_{OL} = 10$ mA
Output low voltage, $V_{DD_MIIM0} = 3.3$ V	V_{OL}		0.4	V	$I_{OL} = 10$ mA
Input high voltage, $V_{DD_MIIM0} = 2.5$ V	V_{IH}	1.7	3.6	V	
Input high voltage, $V_{DD_MIIM0} = 3.3$ V	V_{IH}	2.0	3.6	V	
Input low voltage, $V_{DD_MIIM0} = 2.5$ V	V_{IL}	-0.3	0.7	V	
Input low voltage, $V_{DD_MIIM0} = 3.3$ V	V_{IL}	-0.3	0.8	V	

6.1.10 Recovered Clock Output

The following table shows the DC specifications for the RCVRD_CLK[3:0] recovered clock output signals.

Table 299 • Recovered Clock Output DC Specifications

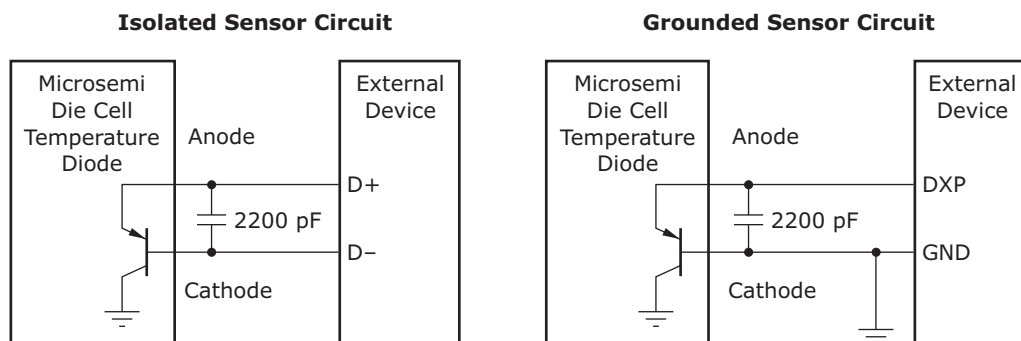
Parameter	Symbol	Minimum	Maximum	Unit	Condition
Output high voltage	V_{OH}	2.4		V	$I_{OH} = -15$ mA, $V_{DD_IO33} = 3.3$ V
Output low voltage	V_{OL}	0	0.4	V	$I_{OL} = 15$ mA, $V_{DD_IO33} = 3.3$ V

6.1.11 Thermal Diode

The devices include an on-die diode and internal circuitry for monitoring die temperature (junction temperature). The operation and accuracy of the diode is not guaranteed and should only be used as a reference.

The on-die thermal diode requires an external thermal sensor, located on the board or in a stand-alone measurement kit. Temperature measurement using a thermal diode is very sensitive to noise. The following illustration shows a generic application design.

Figure 123 • Thermal Diode



Note: Microsemi does not support or recommend operation of the thermal diode under reverse bias.

The following table provides the diode parameter and interface specifications with the pins connected internally to VSS in the device.

Table 300 • Thermal Diode Parameters

Parameter	Symbol	Typical	Maximum	Unit
Forward bias current	I_{FW}	See note ¹	1	mA
Diode ideality factor	n	1.008		

1. Typical value is device dependent.

The ideality factor, n, represents the deviation from ideal diode behavior as exemplified by the following diode equation:

$$I_{FW} = I_S (e^{(qV_D)/(nkT)} - 1)$$

where, I_S = saturation current, q = electron charge, V_D = voltage across the diode, k = Boltzmann constant, and T = absolute temperature (Kelvin).

6.2 AC Characteristics

This section provides the AC specifications for the VSC7442-02, VSC7444-02, VSC7448-02, and VSC7449-02 devices. All XAUI/RXAUI/SFI inputs and outputs should be AC-coupled and work in differential mode.

6.2.1 Reference Clock

The signal applied to the REFCLK differential inputs must comply with the requirements listed in the following tables at the pin of the devices.

The following table lists the AC specifications for the REFCLK reference clock. Use of a 25 MHz single-ended reference clock is not supported on REFCLK.

Table 301 • REFCLK Reference Clock

Parameter	Symbol	Minimum	Typical	Maximum	Unit	Condition
REFCLK frequency REFCLK_SEL = 000	f	-100 ppm	125	100 ppm	MHz	
REFCLK frequency REFCLK_SEL = 001	f	-100 ppm	156.25	100 ppm	MHz	
REFCLK frequency REFCLK_SEL = 010	f	-100 ppm	250	100 ppm	MHz	
Clock duty cycle		40		60	%	Measured at 50% threshold.
Rise time and fall time	t_R, t_F			0.5	ns	Within ± 200 mV relative to $V_{DD} \times 2/3$.
Jitter transfer from REFCLK to SERDES10G/clock outputs, bandwidth from 10 kHz to 300 kHz				0.3	dB	REFCLK \geq 125 MHz
Jitter transfer from REFCLK to SERDES10G/clock outputs, bandwidth from 300 kHz to 3 MHz				0.6	dB	REFCLK \geq 125 MHz
Jitter transfer from REFCLK to SERDES10G/clock outputs, bandwidth from 3 MHz to 12 MHz				2	dB	REFCLK \geq 125 MHz
Jitter transfer from REFCLK to SERDES10G/clock outputs, bandwidth above 12 MHz				$2 - 20 \times \log(f/12 \text{ MHz})$	dB	REFCLK \geq 125 MHz
REFCLK input peak-to-peak jitter, bandwidth from 2.5 kHz to 10 MHz ¹				20	ps	To meet G.8262 1G SyncE jitter generation specification.
REFCLK input peak-to-peak jitter, bandwidth from 20 kHz to 20 MHz ¹				4	ps	To meet G.8262 10G SyncE jitter generation specification.

1. Peak-to-peak values are typically higher than the RMS value by a factor of 10 to 14.

The following table lists the AC specifications for the REFCLK2 reference clock. Use of a 25 MHz single-ended reference clock is supported on REFCLK2.

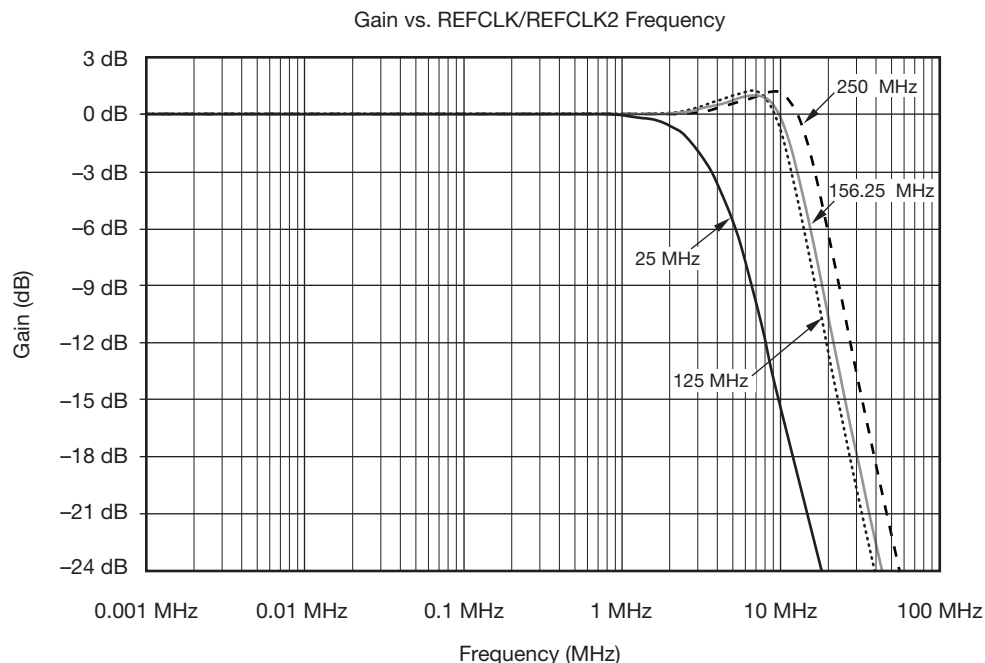
Table 302 • REFCLK2 Reference Clock

Parameter	Symbol	Minimum	Typical	Maximum	Unit	Condition
REFCLK2 frequency REFCLK2_SEL = 000	f	-100 ppm	125	100 ppm	MHz	
REFCLK2 frequency REFCLK2_SEL = 001	f	-100 ppm	156.25	100 ppm	MHz	
REFCLK2 frequency REFCLK2_SEL = 010	f	-100 ppm	250	100 ppm	MHz	
REFCLK2 frequency REFCLK2_SEL = 100	f	-100 ppm	25	100 ppm	MHz	

Table 302 • REFCLK2 Reference Clock (continued)

Parameter	Symbol	Minimum	Typical	Maximum	Unit	Condition
Clock duty cycle		40		60	%	Measured at 50% threshold.
Rise time and fall time	t_R, t_F			0.5	ns	Within ± 200 mV relative to $V_{DD} \times 2/3$.
Jitter transfer from REFCLK2 to SERDES10G/clock outputs, bandwidth from 10 kHz to 100 kHz				0.3	dB	REFCLK2 = 25 MHz
Jitter transfer from REFCLK2 to SERDES10G/clock outputs, bandwidth from 100 kHz to 4 MHz				1	dB	REFCLK2 = 25 MHz
Jitter transfer from REFCLK2 to SERDES10G/clock outputs, bandwidth above 4 MHz				$1 - 20 \times \log(f/4 \text{ MHz})$	dB	REFCLK2 = 25 MHz
Jitter transfer from REFCLK2 to SERDES10G/clock outputs, bandwidth from 10 kHz to 300 kHz				0.3	dB	REFCLK2 \geq 125 MHz
Jitter transfer from REFCLK2 to SERDES10G/clock outputs, bandwidth from 300 kHz to 3 MHz				0.6	dB	REFCLK2 \geq 125 MHz
Jitter transfer from REFCLK2 to SERDES10G/clock outputs, bandwidth from 3 MHz to 12 MHz				2	dB	REFCLK2 \geq 125 MHz
Jitter transfer from REFCLK2 to SERDES10G/clock outputs, bandwidth above 12 MHz				$2 - 20 \times \log(f/12 \text{ MHz})$	dB	REFCLK2 \geq 125 MHz
REFCLK2 input peak-to-peak jitter				60	ps, p-p	

The following illustration shows jitter transfer curves from REFCLK and REFCLK2 to all high-speed outputs.

Figure 124 • REFCLK/REFCLK2 Jitter Transfer Curves

6.2.2 Clock Output

The following table lists the AC specifications for the CLKOUT2 driver.

Table 303 • CLKOUT2 Driver

Parameter	Symbol	Minimum	Maximum	Unit	Condition
Output frequency			625	MHz	
Clock duty cycle	t_C	45	55	%	Measures at 50% threshold
Rise time and fall time	t_R, t_F	100	300	ps	20% to 80% of V_S
Intrapair skew	t_{SKEW}		100	ps	
Jitter generation, 10 kHz to 50 MHz			4	ps, RMS	Jitter-free input used for REFCLK2

6.2.3 SERDES1G

This section describes the AC specifications for the SERDES1G transceiver. The transceiver supports 100BASE-FX, SFP, 1000BASE-KX, and SGMII modes.

The following table lists the AC characteristics for the 1G transmitter.

Table 304 • 100BASE-FX, SGMII, SFP, 1000BASE-KX Transmitter

Parameter	Symbol	Minimum	Maximum	Unit	Condition
Data rate		125 - 100 ppm	125 + 100 ppm	Mbps	100BASE-FX.
Data rate		1.25 - 100 ppm	1.25 + 100 ppm	Gbps	SGMII, SFP, 1000BASE-KX.
Differential output return loss	RLO_{SDD22}		-10	dB	50 MHz to 625 MHz.
Differential output return loss	RLO_{SDD22}		-10 + 10 x log ($f/625$ MHz)	dB	625 MHz to 1250 MHz.

Table 304 • 100BASE-FX, SGMII, SFP, 1000BASE-KX Transmitter (continued)

Parameter	Symbol	Minimum	Maximum	Unit	Condition
Rise time and fall time ¹	t_R, t_F	60	300	ps	20% to 80%.
Interpair skew	t_{SKEW}		20	ps	
Deterministic jitter	DJ		80	ps	Measured according to IEEE 802.3 Clause 38.5.
Total jitter	TJ		192	ps	Measured according to IEEE 802.3 Clause 38.5.
Wideband SyncE jitter	WJT		0.5	UI _{P-P}	Measured according to ITU-T G.8262, section 8.3.

1. Slew rate is programmable.

The following table lists AC characteristics for the 1G receiver.

Table 305 • 100BASE-FX, SGMII, SFP, 1000BASE-KX Receiver

Parameter	Symbol	Minimum	Maximum	Unit	Condition
Data rate		125 – 100 ppm	125 + 100 ppm	Mbps	100BASE-FX.
Data rate		1.25 – 100 ppm	1.25 + 100 ppm	Gbps	SGMII, SFP, 1000BASE-KX.
Differential input return loss	RLI _{SDD11}		–10	dB	50 MHz to 625 MHz.
Differential input return loss	RLI _{SDD11}		–10 + 10 x log (f/625 MHz)	dB	625 MHz to 1250 MHz.
Jitter tolerance, total ¹	TOL _{TJ}	600		ps	SGMII, SFP, 1000BASE-KX. Measured according to IEEE 802.3 Clause 38.6.8.
Jitter tolerance, deterministic ¹	TOL _{DJ}	370		ps	SGMII, SFP, 1000BASE-KX. Measured according to IEEE 802.3 Clause 38.6.8.
Jitter tolerance, duty cycle distortion	TOL _{DCD}	1.4		ns, p-p	100BASE-FX. Measured according to ISO/IEC 9314-3:1990.
Jitter tolerance, data dependent	TOL _{DDJ}	2.2		ns, p-p	100BASE-FX. Measured according to ISO/IEC 9314-3:1990.
Jitter tolerance, random	TOL _{RJ}	2.27		ns, p-p	100BASE-FX. Measured according to ISO/IEC 9314-3:1990.
Wideband SyncE jitter tolerance	WJT	312.5		UI _{P-P}	10 Hz to 12.1 Hz. Measured according to ITU-T G.8262, section 9.2.
Wideband SyncE jitter tolerance	WJT	3750/f		UI _{P-P}	12.1 Hz to 2.5 kHz (f) Measured according to ITU-T G.8262, section 9.2.
Wideband SyncE jitter tolerance	WJT	1.5		UI _{P-P}	2.5 kHz to 50 kHz. Measured according to ITU-T G.8262, section 9.2.

1. Jitter requirements represent high-frequency jitter (above 637 kHz) and not low-frequency jitter or wander.

6.2.4 SERDES6G

This section describes the AC specifications for the 6G transceiver. The transceiver supports the following modes:

- 100BASE-FX
- SGMII
- SFP
- 2.5G
- PCIe
- QSGMII
- XAUI
- RXAUI
- 10GBASE-CX4
- 10GBASE-KX

The following table lists the AC characteristics for the 6G transmitter in 100BASE-FX, SGMII, SFP, 2.5G, and 1000BASE-KX modes.

Table 306 • 100BASE-FX, SGMII, SFP, 2.5G, 1000BASE-KX Transmitter

Parameter	Symbol	Minimum	Maximum	Unit	Condition
Data rate		125 – 100 ppm	125 + 100 ppm	Mbps	100BASE-FX.
Data rate		1.25 – 100 ppm	1.25 + 100 ppm	Gbps	SGMII, SFP, 1000BASE-KX.
Data rate		3.125 – 100 ppm	3.125 + 100 ppm	Gbps	2.5G.
Differential output return loss	RLO_{SDD22}		-10	dB	50 MHz to 625 MHz.
Differential output return loss	RLO_{SDD22}		$-10 + 10 \times \log(f/625 \text{ MHz})$	dB	625 MHz to 1250 MHz.
Rise time and fall time ¹	t_R, t_F	60	320	ps	20% to 80%.
Interpair skew	t_{SKEW}		20	ps	
Random jitter	RJ		0.15	UI _{P-P}	At BER 10^{-12} .
Deterministic jitter	DJ		0.10	UI _{P-P}	
Total jitter	TJ		0.25	UI _{P-P}	
Wideband SyncE jitter	TWJ		0.5	UI _{P-P}	Measured according to ITU-T G.8262, section 8.3.
Eye mask	X1		0.125	UI	
Eye mask	X2		0.325	UI	
Eye mask	Y1	350^2		mV	
Eye mask	Y2		800	mV	

1. Slew rate is programmable.
2. Compatibility to supported standards requires V_{DD_V1} and $V_{DD_V2} = 1.2$ supply for driver.

The following table lists AC characteristics for the 6G receiver operating in 100BASE-FX, SGMII, SFP, 2.5G, and 1000BASE-KX modes.

Table 307 • 100BASE-FX, SGMII, SFP, 2.5G, 1000BASE-KX Receiver

Parameter	Symbol	Minimum	Maximum	Unit	Condition
Data rate		125 – 100 ppm	125 + 100 ppm	Mbps	100BASE-FX.
Data rate		1.25 – 100 ppm	1.25 + 100 ppm	Gbps	SGMII, SFP, 1000BASE-KX.

Table 307 • 100BASE-FX, SGMII, SFP, 2.5G, 1000BASE-KX Receiver (continued)

Parameter	Symbol	Minimum	Maximum	Unit	Condition
Data rate		3.125 – 100 ppm	3.125 + 100 ppm	Gbps	2.5G.
Differential input return loss	RL_{SDD11}		–10	dB	50 MHz to 625 MHz.
Differential input return loss	RL_{SDD11}		$-10 + 10 \times \log(f/625 \text{ MHz})$	dB	625 MHz to 1250 MHz.
Jitter tolerance, total ¹	TOL_{TJ}	600		ps	Measured according to IEEE 802.3 Clause 38.6.8.
Jitter tolerance, deterministic ¹	TOL_{DJ}	370		ps	Measured according to IEEE 802.3 Clause 38.6.8.
Jitter tolerance, duty cycle distortion	TOL_{DCD}	1.4		$n_{SP,P}$	100BASE-FX. Measured according to ISO/IEC 9314-3:1990.
Jitter tolerance, data dependent	TOL_{DDJ}	2.2		$n_{SP,P}$	100BASE-FX. Measured according to ISO/IEC 9314-3:1990.
Jitter tolerance, random	TOL_{RJ}	2.27		$n_{SP,P}$	100BASE-FX. Measured according to ISO/IEC 9314-3:1990.
Wideband SyncE jitter tolerance	WJT	312.5		$UI_{P,P}$	10 Hz to 12.1 Hz. Measured according to ITU-T G.8262, section 9.2.
Wideband SyncE jitter tolerance	WJT	$3750/f$		$UI_{P,P}$	12.1 Hz to 2.5 kHz (f). Measured according to ITU-T G.8262, section 9.2.
Wideband SyncE jitter tolerance	WJT	1.5		$UI_{P,P}$	2.5 kHz to 50 kHz. Measured according to ITU-T G.8262, section 9.2.

1. Jitter requirements represent high-frequency jitter (above 637 kHz) and not low-frequency jitter or wander.

The following table lists the AC characteristics for the 6G transmitter operating in XAU1, 10BASE-CX4, and 10GBASE-KX4 modes. The transmitter supports the electrical characteristics for XAU1, 10GBASE-CX-4, and 10GBASE-KX following IEEE 802.3 Clauses 47, 54, and 71.

Table 308 • XAU1, 10BASE-CX4, 10GBASE-KX4 Transmitter

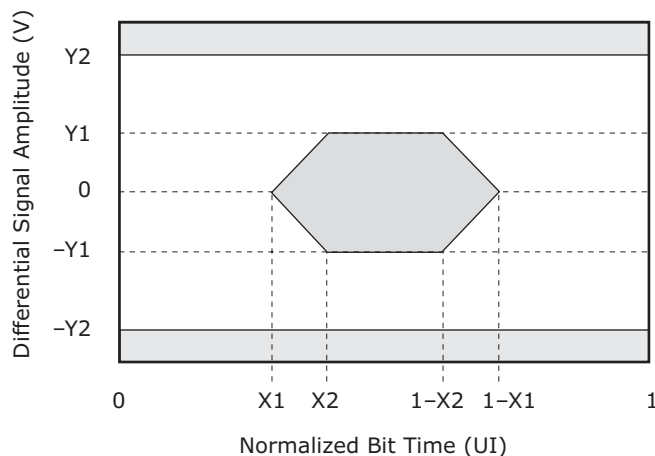
Parameter	Symbol	Minimum	Maximum	Unit	Condition
Data rate		3.125 – 100 ppm	3.125 + 100 ppm	Gbps	
Differential output return loss	RLO_{SDD22}		–10	dB	100 MHz to 625 MHz.
Differential output return loss	RLO_{SDD22}		$-10 + 10 \times \log(f/625 \text{ MHz})$	dB	625 MHz to 2.0 GHz.
Rise time and fall time ¹	t_R, t_F	60	130	ps	20% to 80%. Recommended value.
Random jitter	RJ		0.18	$UI_{P,P}$	Near-end.
Deterministic jitter	DJ		0.17	$UI_{P,P}$	Near-end.
Total jitter	TJ		0.35	$UI_{P,P}$	Near-end.
Eye mask	X1		0.175	$UI_{P,P}$	Near-end.
Eye mask	X2		0.39	$UI_{P,P}$	Near-end.

Table 308 • XAUI, 10BASE-CX4, 10GBASE-KX4 Transmitter (continued)

Parameter	Symbol	Minimum	Maximum	Unit	Condition
Eye mask	Y1	350 ²		mV	Near-end.
Eye mask	Y2		800	mV	Near-end.

1. Slew rate is programmable. Configure accordingly for compliance to supported standard.
2. Compatibility to supported standards requires V_{DD_V1} and $V_{DD_V2} = 1.2$ supply for driver.

The following illustration shows the compliance mask for the XAUI output.

Figure 125 • XAUI Output Compliance Mask

The following table lists the AC characteristics for the 6G receiver operating in XAUI, 10BASE-CX4, and 10GBASE-KX4 modes. The receiver supports the electrical characteristics for XAUI, 10GBASE-CX-4, and 10GBASE-KX4 following IEEE 802.3 Clauses 47, 54, and 71.

Table 309 • XAUI, 10BASE-CX4, 10GBASE-KX4 Receiver

Parameter	Symbol	Minimum	Maximum	Unit	Condition
Data rate		3.125 – 100 ppm	3.125 + 100 ppm	Gbps	
Differential input return loss	RLI_{SDD11}		-10	dB	100 MHz to 2.5 GHz. XAUI.
Differential input return loss	RLI_{SDD11}		-10	dB	100 MHz to 625 MHz. 10GBASE-CX4 and 10GBASE-KX4.
Differential input return loss	RLI_{SDD11}		$-10 + 10 \times \log(f/625 \text{ MHz})$	dB	625 MHz to 2.0 GHz, 10GBASE-CX4 and 10GBASE-KX4.
Common-mode return loss	RLI_{SCC11}		-6	dB	100 MHz to 2.5 GHz, relative to 25 Ω common-mode. XAUI.
Random jitter	RJ		0.18	UI _{P,P}	
Deterministic jitter	DJ		0.37	UI _{P,P}	
Total jitter tolerance ¹	TJ		0.65	UI _{P,P}	
Eye mask	R_X1		0.275	UI	
Eye mask	R_X2		0.400	UI	
Eye mask	R_Y1	100		mV	

Table 309 • XAUI, 10BASE-CX4, 10GBASE-KX4 Receiver (continued)

Parameter	Symbol	Minimum	Maximum	Unit	Condition
Eye mask	R_Y2		800	mV	

1. Total jitter includes sinusoidal jitter according to IEEE 802.3 Clause 47.3.4.6.

The following table lists the AC characteristics for the 6G transmitter operating in PCIe mode.

Table 310 • PCIe Transmitter

Parameter	Symbol	Minimum	Typical	Maximum	Unit	Condition
Data rate		2.5 – 300 ppm		2.5 + 300 ppm	Gbps	
Differential output return loss	RLO _{SDD22}			–10	dB	50 MHz to 1.25 GHz
Common-mode return loss	RLO _{SCC22}			–6	dB	50 MHz to 1.25 GHz.
De-emphasized differential output voltage (ratio)	Tode	–3	–3.5	–4	dB	
Rise time and fall time ¹	t _R , t _F	60			ps	20% to 80%. Recommended value.
Total jitter	TJ			0.25	UI _{P,P}	Near-end.
Differential amplitude	V _{TX_DIFF_PP}	800 ²		1200	mV _{P,P}	

1. Slew rate is programmable. Configure accordingly for compliance to supported standard.

2. Compatibility to supported standards requires V_{DD_V2} = 1.2 V supply for driver.

The following table lists the AC characteristics for the 6G receiver operating in PCIe mode.

Table 311 • PCIe Receiver

Parameter	Symbol	Minimum	Maximum	Unit	Condition
Data rate		2.5 – 300 ppm	2.5 + 300 ppm	Gbps	
Differential input return loss	RLI _{SDD11}		–10	dB	50 MHz to 1.25 GHz.
Common-mode return loss	RLI _{SCC11}		–6	dB	50 MHz to 2.5 GHz.
Total jitter tolerance	TJ		0.60	UI _{P,P}	
Eye mask	R_X1		0.30	UI	
Eye mask	R_X2		0.70	UI	
Eye mask	R_Y1	85		UI	
Eye mask	R_Y2		600	UI	

The following table lists the AC characteristics for the 6G transmitter output operating in QSGMII mode. The QSGMII mode complies to the AC characteristics as specified for CEI-6G-SR interfaces according to OIF-CEI-02.0 with the exceptions given by the QSGMII specification for I/O voltage and return loss.

Table 312 • QSGMII Transmitter

Parameter	Symbol	Minimum	Maximum	Unit	Condition
Data rate		5.0 – 100 ppm	5.0 + 100 ppm	Gbps	
Differential output return loss	RLO _{SDD22}		–8	dB	100 MHz to 2.5 GHz.

Table 312 • QSGMII Transmitter (continued)

Parameter	Symbol	Minimum	Maximum	Unit	Condition
Differential output return loss	RLO_{SDD22}		$-8 + 16.6 \times \log(f/2.5 \text{ MHz})$	dB	2.5 GHz to 5.0 GHz.
Common-mode return loss	RLO_{SCC22}		-6	dB	100 MHz to 2.5 GHz.
Rise time and fall time ¹	t_R, t_F	30	130	ps	20% to 80%. Recommended value.
Random jitter	RJ		0.15	UI _{P,P}	
Deterministic jitter	DJ		0.15	UI _{P,P}	
Duty cycle distortion (part of DJ)	DCD		0.05	UI _{P,P}	
Total jitter	TJ		0.30	UI _{P,P}	
Eye mask	X1		0.15	UI _{P,P}	Near-end.
Eye mask	X2		0.40	UI _{P,P}	Near-end.
Eye mask	Y1	200		mV	Near-end.
Eye mask	Y2		450	mV	Near-end.

1. Slew rate is programmable.

The following table lists the AC characteristics for the 6G receiver operating in QSGMII mode. The QSGMII mode complies to the AC characteristics as specified for CEI-6G-SR interfaces according to OIF-CEI-02.0 with the exceptions given by the QSGMII specification for I/O voltage and return loss.

Table 313 • QSGMII Receiver

Parameter	Symbol	Minimum	Maximum	Unit	Condition
Data rate		5.0 – 100 ppm	5.0 + 100 ppm	Gbps	
Differential input return loss	RLI_{SDD11}		-8	dB	100 MHz to 2.5 GHz
Differential input return loss	RLI_{SDD11}		$-8 + 16.6 \times \log(f/2.5 \text{ MHz})$	dB	2.5 GHz to 5.0 GHz
Common-mode return loss	RLI_{SCC11}		-6	dB	100 MHz to 2.5 GHz
Sinusoidal jitter maximum	SJ_{MAX}		5	UI _{P,P}	For low sinusoidal jitter frequencies below (baud/1667)
Sinusoidal jitter, high frequency	SJ_{HF}		0.05	UI _{P,P}	
Deterministic jitter (uncorrelated bounded high-probability jitter)	UBHPJ		0.15	UI _{P,P}	
Data-dependent jitter (correlated bounded high-probability jitter)	CBHPJ		0.30	UI _{P,P}	
Total jitter	TJ		0.60	UI _{P,P}	Sinusoidal jitter excluded
Eye mask	R_X1		0.30	UI _{P,P}	
Eye mask	R_Y1	50		mV	
Eye mask	R_Y2		450	mV	

The following table lists the AC characteristics for the 6G transmitter operating in RXAUI mode. The transmitter operating in RXAUI mode complies to the AC characteristics as specified for CEI-6G-SR according to OIF-CEI-02.0.

Table 314 • RXAUI Transmitter

Parameter	Symbol	Minimum	Maximum	Unit	Condition
Data rate		6.25 – 100 ppm	6.25 + 100 ppm	Gbps	
Differential output return loss	RLO_{SDD22}		–8	dB	100 MHz to 4.6875 GHz.
Differential output return loss	RLO_{SDD22}		$-8 + 16.6 \times \log(f/4.6875 \text{ MHz})$	dB	4.6875 GHz to 6.25 GHz.
Common-mode return loss	RLO_{SCC22}		–6	dB	100 MHz to 4.6875 GHz.
Rise time and fall time ¹	t_R, t_F	30	130	ps	20% to 80%. Recommended value.
Random jitter	RJ		0.15	UI _{P,P}	
Deterministic jitter	DJ		0.15	UI _{P,P}	
Duty cycle distortion (part of DJ)	DCD		0.05	UI _{P,P}	
Total jitter	TJ		0.30	UI _{P,P}	
Eye mask	X1		0.15	UI _{P,P}	Near-end.
Eye mask	X2		0.40	UI _{P,P}	Near-end.
Eye mask	Y1	200		mV	Near-end.
Eye mask	Y2		375	mV	Near-end.

1. Slew rate is programmable.

The following table lists the AC characteristics for the 6G transmitter operating in RXAUI mode. The receiver operating in RXAUI mode complies to the AC characteristics as specified for CEI-6G-SR according to OIF-CEI-02.0.

Table 315 • RXAUI Receiver

Parameter	Symbol	Minimum	Maximum	Unit	Condition
Data rate		6.25 – 100 ppm	6.25 + 100 ppm	Gbps	
Differential input return loss	RLI_{SDD11}		–8	dB	100 MHz to 4.6875 GHz.
Differential input return loss	RLI_{SDD11}		$-8 + 16.6 \times \log(f/4.6875 \text{ GHz})$	dB	4.6875 GHz to 6.25 GHz.
Common-mode return loss	RLI_{SCC11}		–6	dB	100 MHz to 4.6875 GHz.
Random jitter	RJ		0.15	UI _{P,P}	
Deterministic jitter (uncorrelated bounded high-probability jitter)	UBHPJ		0.15	UI _{P,P}	
Data-dependent jitter (correlated bounded high-probability jitter)	CBHPJ		0.30	UI _{P,P}	
Total jitter	TJ		0.60	UI _{P,P}	
Eye mask	R_X1		0.30	UI _{P,P}	
Eye mask	R_Y1	62.5		mV	
Eye mask	R_Y2		375	mV	

6.2.5 SERDES10G

This section describes the AC specifications for the SERDES10G transceiver. The transceiver supports the following modes:

- 100BASE-FX
- SGMII
- SFP
- 1000BASE-KX
- 2.5G
- 10GBASE-KR
- SFP+ (SFI)

The following table lists the AC characteristics for the 10G transmitter in 100BASE-FX, SGMII, SFP, 1000BASE-KX, and 2.5G modes.

Table 316 • 100BASE-FX, SGMII, SFP, 1000BASE-KX, 2.5G Transmitter

Parameter	Symbol	Minimum	Maximum	Unit	Condition
Data rate		125 – 100 ppm	125 + 100 ppm	Mbps	100BASE-FX.
Data rate		1.25 – 100 ppm	1.25 + 100 ppm	Gbps	SGMII, SFP, 1000BASE-KX.
Data rate		3.125 – 100 ppm	3.125 + 100 ppm	Gbps	2.5G.
Differential output return loss	RLO_{SDD22}		–10	dB	50 MHz to 625 MHz.
Differential output return loss	RLO_{SDD22}		$-10 + 10 \times \log(f/625 \text{ MHz})$	dB	625 MHz to 1250 MHz.
Rise time and fall time ¹	t_R, t_F	60	320	ps	20% to 80%.
Interpair skew	t_{SKEW}		20	ps	
Random jitter	RJ		0.15	UI _{P,P}	At BER 10^{-12} .
Deterministic jitter	DJ		0.1	UI _{P,P}	
Total jitter	TJ		0.25	UI _{P,P}	
Wideband SyncE jitter	TWJ		0.5	UI _{P,P}	Measured according to ITU-T G.8262, section 8.3.
Eye mask	X1		0.125	UI	
Eye mask	X2		0.325	UI	
Eye mask	Y1	380 ²		mV	
Eye mask	Y2		800	mV	

1. Slew rate is programmable.

2. Compatibility to supported standards requires $V_{DD_HS} = 1.2 \text{ V}$ for driver.

The following table lists AC characteristics for the 10G receiver operating in 100BASE-FX, SGMII, SFP, 1000BASE-KX, and 2.5G modes.

Table 317 • 100BASE-FX, SGMII, SFP, 1000BASE-KX, 2.5G Receiver

Parameter	Symbol	Minimum	Typical	Maximum	Unit	Condition
Data rate		125 – 100 ppm		125 + 100 ppm	Mbps	100BASE-FX.
Data rate		1.25 – 100 ppm		1.25 + 100 ppm	Gbps	SGMII, SFP, 1000BASE-KX.
Data rate		3.125 – 100 ppm		3.125 + 100 ppm	Gbps	2.5G
Total jitter tolerance ¹	TJT		0.749		UI	Measured according to IEEE 802.3 Clause 38.5.

Table 317 • 100BASE-FX, SGMII, SFP, 1000BASE-KX, 2.5G Receiver (continued)

Parameter	Symbol	Minimum	Typical	Maximum	Unit	Condition
Deterministic jitter ¹	DJ			0.462	UI	Measured according to IEEE 802.3 Clause 38.5.
Jitter tolerance, duty cycle distortion	DCD	1.4			ns, p-p	100BASE-FX. Measured according to ISO/IEC 9314-3:1990.
Jitter tolerance, data-dependent jitter	DDJ	2.2			ns, p-p	100BASE-FX. Measured according to ISO/IEC 9314-3:1990.
Jitter tolerance, random jitter	RJ	2.27			ns, p-p	100BASE-FX. Measured according to ISO/IEC 9314-3:1990.
Wideband SyncE jitter tolerance	WJT	312.5			UI _{p,p}	10 Hz to 12.1 Hz. Measured according to ITU-T G.8262, section 9.2.
Wideband SyncE jitter tolerance	WJT	3750/ <i>f</i>			UI _{p,p}	12.1 Hz to 2.5 kHz. Measured according to ITU-T G.8262, section 9.2.
Wideband SyncE jitter tolerance	WJT	1.5			UI _{p,p}	2.5 kHz to 50 kHz. Measured according to ITU-T G.8262, section 9.2.
Eye mask	X1		0.35		UI _{p,p}	
Eye mask	Y1	125			mV	
Eye mask	Y2			600	mV	

1. Jitter requirements represent high-frequency jitter (above 637 kHz) and not low-frequency jitter or wander.

The specifications in the following table correspond to 10G transmitter output, SFI point B and an SFF-8431-compliant SFI channel with no more than 3 dB channel loss.

Table 318 • 10G Transmitter Output (SFI Point B, Host)

Parameter	Symbol	Minimum	Maximum	Unit	Condition
Termination mismatch	ΔZ_M		5	%	
AC common-mode voltage	V_{OCM_AC}		15	mV _{RMS}	
Total jitter ¹	TJ		0.28	UI	Measured at point B, as specified in SFF-8431 revision 4.1
Data-dependant jitter	DDJ		0.1	UI	Measured at point B, as specified in SFF-8431 revision 4.1.
Pulse shrinkage jitter	DDPWS		0.055	UI _{RMS}	Measured at point B, as specified in SFF-8431 revision 4.1. 3 dB channel loss.
Uncorrelated jitter	UJ		0.023	UI _{RMS}	Measured at point B, as specified in SFF-8431 revision 4.1.
Wideband SyncE jitter	TWJ		0.5	UI _{p,p}	Measured according to ITU-T G.8262 section 8.3.
Eye mask X1	X1		0.12	UI	Measured at 5e-5 mask hit ratio.
Eye mask X2	X2		0.33	UI	Measured at 5e-5 mask hit ratio.

Table 318 • 10G Transmitter Output (SFI Point B, Host) (continued)

Parameter	Symbol	Minimum	Maximum	Unit	Condition
Eye mask Y1	Y1	95		mV	Measured at 5e-5 mask hit ratio. Maximum 3 dB SFI channel loss.
Eye mask Y2	Y2		350	mV	

1. With a jitter-free reference clock. Any RefClk jitter with a frequency content below 7 MHz will add to the jitter generated at the 10G output.

The specifications in the following table correspond to 10G transmitter output, SFI point B for direct attach copper and an SFF-8431-compliant SFI channel with no more than 3 dB channel loss.

Table 319 • 10G Transmitter Output (SFI Point B, Host) for Direct Attach Copper

Parameter	Symbol	Minimum	Maximum	Unit	Condition
Voltage modulation amplitude, peak-to-peak	VMA	300		UI	SFF-8431 section D.7. Maximum 3 dB SFI channel loss.
Transmitter Q_{SQ}	Q_{SQ}	63.1			$Q_{SQ} - 1/RN$ if the 1 and 0 noise levels are identical. See SFF-8431, section D.8.
Output AC common-mode voltage			12	mV _{RMS}	See SFF-8431 section D.15.
Output TWDPc	TWDPc		10.7	dBe	Host electrical output measured using SFF-8431 Appendix G, including copper direct attach stressor. Maximum 3 dB SFI channel loss.

The specifications in the following table correspond to the 10G receiver input, SFI point C and C", Host.

Table 320 • 10G Receiver Input (SFI Point C and C", Host)

Parameter	Symbol	Minimum	Maximum	Unit	Condition
99% jitter	99% _{JIT_P-P}		0.42	UI	Calibrated and measured at point C", as specified in SFF-8431 revision 4.1
Pulse width shrinkage jitter	DDPWS _{JIT_P-P}		0.3	UI	Calibrated and measured at point C", as specified in SFF-8431 revision 4.1
Total jitter tolerance	TOL _{JIT_P-P}		0.70	UI	Calibrated and measured at point C", as specified in SFF-8431 revision 4.1
Eye mask X1	X1		0.35	UI	Calibrated and measured at point C", as specified in SFF-8431 revision 4.1
Eye mask Y1	Y1	150		mV	Calibrated and measured at point C", as specified in SFF-8431 revision 4.1
Eye mask Y2	Y2		425	mV	Calibrated and measured at point C", as specified in SFF-8431 revision 4.1
Wideband SyncE jitter tolerance	WJT	2488		UI _{P-P}	10 Hz to 12.1 Hz. Measured according to ITU-T G.8262 section 9.2.
Wideband SyncE jitter tolerance	WJT	30000/ <i>f</i>		UI _{P-P}	12.1 Hz to 20 kHz (<i>f</i>). Measured according to ITU-T G.8262 section 9.2.

Table 320 • 10G Receiver Input (SFI Point C and C”, Host) (continued)

Parameter	Symbol	Minimum	Maximum	Unit	Condition
Wideband SyncE jitter tolerance	WJT	1.5		UI _{P-P}	20 kHz to 40 kHz. Measured according to ITU-T G.8262 section 9.2.

The specifications in the following table correspond to the 10G receiver input, SFI point C for direct attach copper.

Table 321 • 10G Receiver Input (SFI Point C, Host) for Direct Attach Copper

Parameter	Symbol	Typical	Unit	Condition
Waveform distortion penalty of ISI generator	WDP _C	9.3	dBe	Copper stressor according to SFF-8431 section E.3.1.
Transmitter Q _{SQ}	Q _{SQ}	63.1		Q _{SQ} - 1/RN if the 1 and 0 noise levels are identical. See SFF-8431, section D.8.
Post-channel fixed noise source amplitude	N _O	2.14	mV _{RMS}	RMS voltage measured over one symbol period at the output of module compliance board (MCB) in a 12 GHz bandwidth. Source for QSW should be disabled during this calibration. See SFF-8431 section E.3.1.
Differential voltage modulation amplitude	VMA	180	mV	Square pattern with eight 1s and eight 0s.

The specifications in the following table correspond to 10G transmitter output, SFI point A.

Table 322 • 10G Transmitter Output (SFI Point A, ASIC)

Parameter	Symbol	Minimum	Maximum	Unit	Condition
Data rate		10.3125 – 100 ppm	10.3125 + 100 ppm	Gbps	10 Gbps LAN 10 Gbps SFP+ Cu
Data rate		9.95328 – 100 ppm	9.95328 + 100 ppm	Gbps	10 Gbps WAN
Data rate		1.25 – 100 ppm	1.25 + 100 ppm	Gbps	1.25 Gbps mode
Termination mismatch at 1 MHz	ΔZ_M		5	%	
Rise time and fall time	t _R , t _F	24		ps	20% to 80%.
AC common-mode voltage	V _{CM}		12	mV _{RMS}	
Differential output return loss	SDD22		-12	dB	0.01 GHz to 2.8 GHz
Differential output return loss	SDD22		See note ¹	dB	2.8 GHz to 11.1 GHz
Common-mode return loss ²	SCC22		-9	dB	0.01 GHz to 4.74 GHz
Common-mode return loss ²	SCC22		See note ³	dB	4.74 GHz to 11.1 GHz

1. Return loss value is given by the equation $SDD22(dB) = -8.15 + 13.33 \log_{10}(f/5.5 \text{ GHz})$.

2. The test set common-mode reference impedance is 25 Ω .

3. Return loss value is given by the equation $SCC22(dB) = -8.15 + 13.33 \log_{10}(f/5.5)$, with f in GHz.

The specifications in the following table correspond to SFI point D, ASIC. Point D assumes that the input is from a compliant point C output and a compliant SFI channel according to the SFP+ standard (SFF-8431).

Table 323 • SFI Input Receiver (SFI Point D, ASIC)

Parameter	Symbol	Minimum	Typical	Maximum	Unit	Condition
RXIN input data rate, 10 Gbps LAN		10.3125 – 100 ppm	10.3125	10.3125 + 100 ppm	Gbps	10 Gbps LAN mode 10 Gbps SFP+ Cu
RXIN input data rate, 10 Gbps WAN		9.95328 – 100 ppm	9.95328	9.95328 + 100 ppm	Gbps	10 Gbps WAN mode
RXIN input data rate, 1.25 Gbps		1.25 – 100 ppm	1.25	1.25 + 100 ppm	Gbps	1.25 Gbps mode
RXIN linear mode differential input data swing	$\Delta VRXIN_{LINEAR}$	180		600	mV	Voltage modulation amplitude (VMA)
RXIN limiting mode differential input data swing	$\Delta VRXIN_{LIMITING}$	300		850	mV	Measured peak-to-peak
RXIN AC common-mode voltage	V_{CM}			15	mV _{RMS}	
Differential input return loss	SDD11			–12	dB	0.01 GHz to 2.8 GHz
Differential input return loss	SDD11			See note ¹	dB	2.8 GHz to 11.1 GHz
Differential to common-mode conversion ²	SCD11			–15	dB	0.01 GHz to 11.1 GHz

1. Return loss value is given by the equation $SDD11(dB) = -8.15 + 13.33 \log_{10}(f/5.5)$, with f in GHz.

2. The test set common-mode reference impedance is 25 Ω .

The 10 Gbps transmitter operating in 10GBASE-KR mode complies with IEEE 802.3 clause 72.7.

Table 324 • 10GBASE-KR Transmitter

Parameter	Symbol	Minimum	Maximum	Unit	Condition
Data rate		10.3125 – 100 ppm	10.3125 + 100 ppm	Gbps	
Differential output return loss	RLO_{SDD22}		–9	dB	50 MHz to 2.5 MHz
Differential output return loss	RLO_{SDD22}		$-9 + 12 \times \log_{10}(f/2.5 \text{ GHz})$	dB	2.5 GHz to 7.5 GHz
Common-mode output return loss	RLO_{SCC22}		–6	dB	50 MHz to 2.5 MHz
Common-mode output return loss	RLO_{SCC22}		$-6 + 12 \times \log_{10}(f/2.5 \text{ GHz})$	dB	2.5 GHz to 7.5 GHz
Rise time and fall time	t_R, t_F	24	47	ps	20% to 80%
Random jitter	RJ		0.17 ¹	UI _{P-P}	
Deterministic jitter	DJ		0.15	UI _{P-P}	
Duty cycle distortion (part of DJ)	DCD		0.035	UI _{P-P}	
Total jitter ²	TJ		0.28	UI _{P-P}	

1. IEEE 802.3 section 72.7 states 0.15 UI_{P-P} maximum random jitter.

2. With a jitter-free reference clock. Any RefClk jitter with a frequency content below 7 MHz will add to the jitter generated at the 10G output.

The 10 Gbps receiver operating in 10GBASE-KR mode complies with IEEE 802.3 clause 72.7.

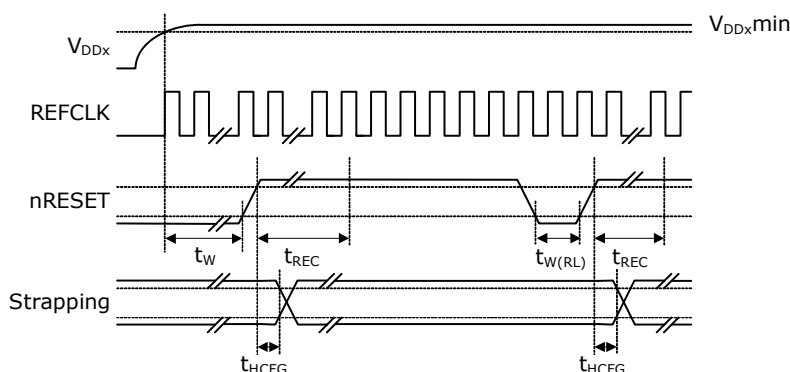
Table 325 • 10GBASE-KR Receiver

Parameter	Symbol	Minimum	Maximum	Unit	Condition
Data rate		10.3125 – 100 ppm	10.3125 + 100 ppm	Gbps	
Differential input return loss	RL_{SDD11}		–9	dB	50 MHz to 2.5 GHz
Differential input return loss	RL_{SDD11}		$-9 + 12 \times \log(f/2.5 \text{ GHz})$	dB	2.5 MHz to 7.5 GHz

6.2.6 Reset Timing

The nRESET signal waveform and the required measurement points for the timing specification are shown in the following illustration.

Figure 126 • nRESET Signal Timing Specifications



The signal applied to the nRESET input must comply with the specifications listed in the following table at the reset pin of the devices.

Table 326 • nRESET Timing Specifications

Parameter	Symbol	Minimum	Maximum	Unit
nRESET assertion time after power supplies and clock stabilizes	t_W	2		ms
Recovery time from reset inactive to device fully active	t_{REC}		10	ms
nRESET pulse width	$t_{W(RL)}$	100		ns
Hold time for GPIO-mapped strapping pins relative to nRESET	t_{HCFG}	50		ns

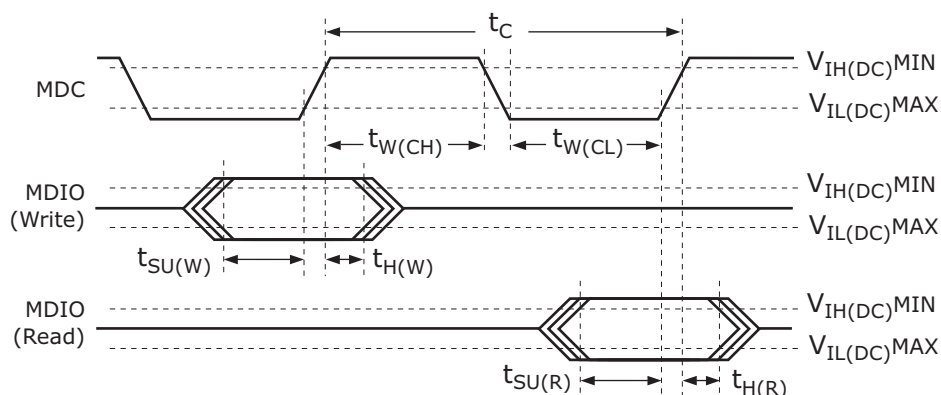
6.2.7 MII Management

All AC specifications for the MII Management (MIIM) interface meet or exceed the requirements of IEEE 802.3-2002 (clause 22.2-4).

All MIIM AC timing requirements are specified relative to the input low and input high threshold levels. The levels are dependent on the MIIM0 interface supply mode.

The MIIM0 interface has a separate supply pin, allowing operation in either 2.5 V or 3.3 V mode. MIIM1 and MIIM2 are GPIO alternate functions and operate only in 3.3 V mode.

The following illustration shows the MIIM waveforms and required measurement points for the signals.

Figure 127 • MIIM Timing Diagram

The set up time of MDIO relative to the rising edge of MDC is defined as the length of time between when the MDIO exits and remains out of the switching region and when MDC enters the switching region. The hold time of MDIO relative to the rising edge of MDC is defined as the length of time between when MDC exits the switching region and when MDIO enters the switching region.

All MIIM signals comply with the specifications in the following table. The MDIO signal requirements are requested at the pin of the devices.

Table 327 • MIIM Timing Specifications

Parameter	Symbol	Minimum	Maximum	Unit	Condition
MDC frequency ¹	f	0.488	20.83	MHz	
MDC cycle time ²	t_C	48	2048	ns	
MDC time high	$t_{W(CH)}$	20		ns	$C_L = 50$ pF
MDC time low	$t_{W(CL)}$	20		ns	$C_L = 50$ pF
MDIO setup time to MDC on write	$t_{SU(W)}$	15		ns	$C_L = 50$ pF
MDIO hold time from MDC on write	$t_{H(W)}$	15		ns	$C_L = 50$ pF
MDIO setup time to MDC on read	$t_{SU(R)}$	30		ns	$C_L = 50$ pF on MDC
MDIO hold time from MDC on read	$t_{H(R)}$	0		ns	$C_L = 50$ pF

- For the maximum value, the devices support an MDC clock speed of up to 20 MHz for faster communication with the PHYs. If the standard frequency of 2.5 MHz is used, the MIIM interface is designed to meet or exceed the IEEE 802.3 requirements of the minimum MDC high and low times of 160 ns and an MDC cycle time of minimum 400 ns, which is not possible at faster speeds.
- Calculated as $t_C = 1/f$.

6.2.8 Serial Interface (SI) Boot Master Mode

The following table lists the timing specifications for SI boot master mode.

Table 328 • SI Boot Timing Specifications for Master Mode

Parameter	Symbol	Minimum	Maximum	Unit	Condition
Clock frequency	f		25 ¹	MHz	
Clock cycle time	t_C	40		ns	
Clock time high	$t_{W(CH)}$	16		ns	
Clock time low	$t_{W(CL)}$	16		ns	
Clock rise time and fall time	t_R, t_F		10	ns	Between $V_{IL(MAX)}$ and $V_{IH(MIN)}$. $C_L = 30$ pF.

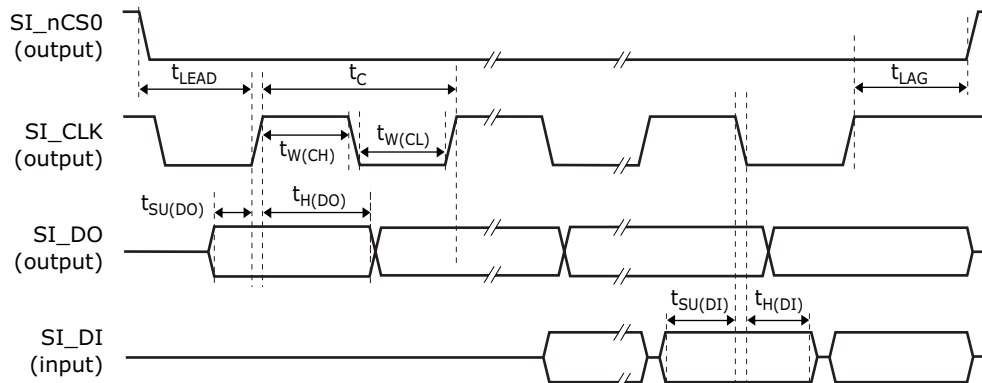
Table 328 • SI Boot Timing Specifications for Master Mode (continued)

Parameter	Symbol	Minimum	Maximum	Unit	Condition
SI_DO setup time to clock	$t_{SU(DO)}$	10		ns	
SI_DO hold time from clock	$t_{H(DO)}$	10		ns	
Enable active before first clock	t_{LEAD}	10		ns	
Enable inactive after clock	t_{LAG}	5		ns	
SI_DI setup time to clock	$t_{SU(DI)}$	22		ns	
SI_DI hold time from clock	$t_{H(DI)}$	-2		ns	

1. Frequency is programmable. The startup frequency is 8.1 MHz.

6.2.9 Serial Interface (SI) Master Mode

All serial interface (SI) timing requirements for master mode are specified relative to the input low and input high threshold levels. The following illustration shows the timing parameters and measurement points.

Figure 128 • SI Timing Diagram for Master Mode

All SI signals comply with the specifications shown in the following table. The SI input timing requirements are requested at the pins of the devices.

Table 329 • SI Timing Specifications for Master Mode

Parameter	Symbol	Minimum	Maximum	Unit	Condition
Clock frequency	f		25 ¹	MHz	
Clock cycle time	t_C	40		ns	
Clock time high	$t_{W(CH)}$	16		ns	
Clock time low	$t_{W(CL)}$	16		ns	
Clock rise time and fall time	t_R, t_F		10	ns	Between $V_{IL(MAX)}$ and $V_{IH(MIN)}$. $C_L = 30$ pF.
SI_DO setup time to clock	$t_{SU(DO)}$	10		ns	
SI_DO hold time from clock	$t_{H(DO)}$	10		ns	
Enable active before first clock	t_{LEAD}	10		ns	
Enable inactive after clock	t_{LAG}	15		ns	
SI_DI setup time to clock	$t_{SU(DI)}$	15		ns	
SI_DI hold time from clock	$t_{H(DI)}$	0		ns	

- Frequency is programmable. The startup frequency is 4 MHz.

6.2.10 Serial Interface (SI) for Slave Mode

All serial interface (SI) slave mode timing requirements are specified relative to the input low and input high threshold levels. The following illustrations show the timing parameters and measurement points for SI input and output data.

Figure 129 • SI Input Data Timing Diagram for Slave Mode

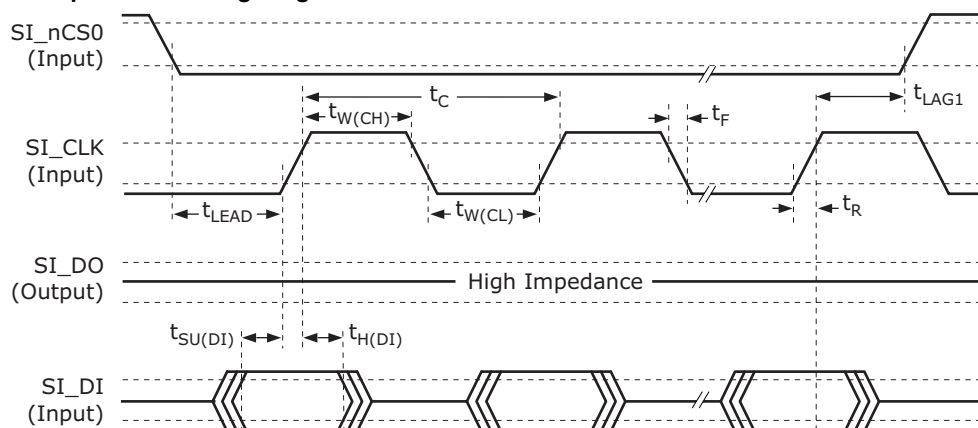
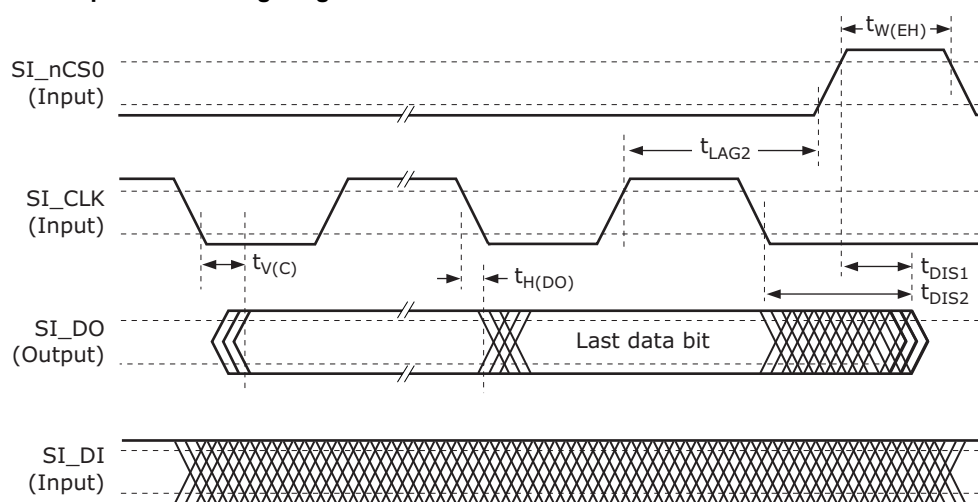


Figure 130 • SI Output Data Timing Diagram for Slave Mode



All SI signals comply with the specifications shown in the following table. The SI input timing requirements are requested at the pins of the devices.

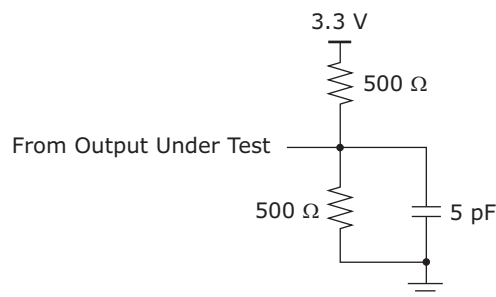
Table 330 • SI Timing Specifications for Slave Mode

Parameter	Symbol	Minimum	Maximum	Unit	Condition
Clock frequency	f		25	MHz	
Clock cycle time	t_C	40		ns	
Clock time high	$t_{W(CH)}$	16		ns	
Clock time low	$t_{W(CL)}$	16		ns	
SI_DI setup time to clock	$t_{SU(DI)}$	4		ns	
SI_DI hold time from clock	$t_{H(DI)}$	4		ns	

Table 330 • SI Timing Specifications for Slave Mode (continued)

Parameter	Symbol	Minimum	Maximum	Unit	Condition
Enable active before first clock	t_{LEAD}	10		ns	
Enable inactive after clock (input cycle) ¹	t_{LAG1}	25		ns	
Enable inactive after clock (output cycle)	t_{LAG2}	See note ²		ns	
Enable inactive width	$t_{W(EH)}$	20		ns	
SI_DO valid after clock	$t_{V(C)}$		25	ns	$C_L = 30$ pF.
SI_DO hold time from clock	$t_{H(DO)}$	0		ns	$C_L = 0$ pF.
SI_DO disable time ³	t_{DIS1}		20	ns	See Figure 130, page 398.
SI_DO disable time ³	t_{DIS2}		20	ns	See Figure 130, page 398.

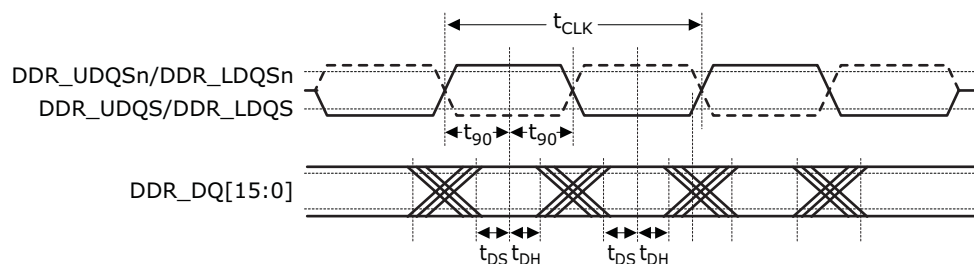
- t_{LAG1} is defined only for write operations to the devices, not for read operations.
- The last rising edge on the clock is necessary for the external master to read in the data. The lag time depends on the necessary hold time on the external master data input.
- Pin begins to float when a 300 mV change from the loaded V_{OH} or V_{OL} level occurs.

Figure 131 • SI_DO Disable Test Circuit

6.2.11 DDR SDRAM Interface

This section provides the AC characteristics for the DDR3 and DDR3L SDRAM interface.

The following illustration shows the DDR3/DDR3L SDRAM input timing diagram.

Figure 132 • DDR SDRAM Input Timing Diagram

The following table lists the AC specifications for the DDR3 and DDR3L SDRAM input signals.

Table 331 • DDR3/DDR3L SDRAM Input Signal AC Characteristics

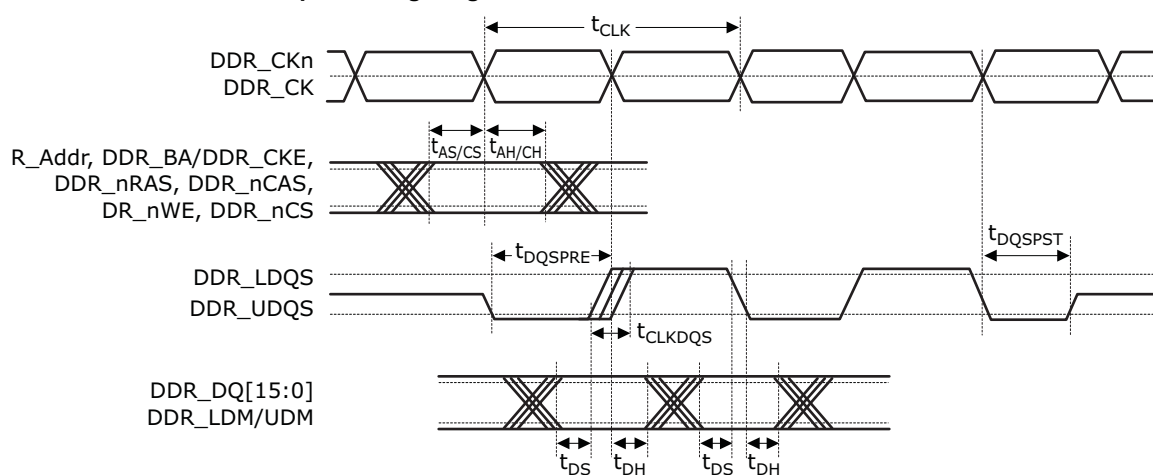
Parameter	Symbol	Minimum	Typical	Maximum	Unit	Condition
DDR3 input voltage high	$V_{IH(AC)}$	$DDR_V_{REF} + 0.175$		$V_{DD_IODDR} + 0.3$	V	
DDR3 input voltage low	$V_{IL(AC)}$	-0.3		$DDR_V_{REF} - 0.175$	V	
DDR3 differential input voltage	$V_{ID(AC)}$	0.4		V_{DD_IODDR}	V	

Table 331 • DDR3/DDR3L SDRAM Input Signal AC Characteristics (continued)

Parameter	Symbol	Minimum	Typical	Maximum	Unit	Condition
DDR3 differential crosspoint voltage	$V_{IX(AC)}$	$0.5 \times V_{DD_IODDR} - 0.175$		$0.5 \times V_{DD_IODDR} + 0.175$	V	
DDR3L input voltage high	$V_{IH(AC)}$	$DDR_V_{REF} + 0.160$		$V_{DD_IODDR} + 0.3$	V	
DDR3L input voltage low	$V_{IL(AC)}$	-0.3		$DDR_V_{REF} - 0.160$	V	
DDR3L differential input voltage	$V_{ID(AC)}$	0.4		V_{DD_IODDR}	V	
DDR3L differential crosspoint voltage	$V_{IX(AC)}$	$0.5 \times V_{DD_IODDR} - 0.160$		$0.5 \times V_{DD_IODDR} + 0.160$	V	
DDR_DQ[7:0] input setup time relative to DDR_LDQS ¹	t_{DS}	350			ps	
DDR_DQ[15:8] input setup time relative to DDR_UDQS ¹	t_{DS}	350			ps	
DDR_DQ[7:0] input hold time relative to DDR_LDQS ¹	t_{DH}	250			ps	
DDR_DQ[15:8] input hold time relative to DDR_UDQS ¹	t_{DH}	250			ps	
Quarter period offset from clock edge	t_{90}		$0.25 \times t_{CLK}$			$t_{CLK} = 3.2 \text{ ns}$

1. These requirements are dependent on the operation frequency of the DDR SDRAM interface. Stated limits are for DDR3-800.

The following illustration shows the timing diagram for the DDR3 and DDR3L SDRAM outputs.

Figure 133 • DDR SDRAM Output Timing Diagram

The following table lists the AC characteristics for the DDR3 and DDR3L SDRAM output signals.

Table 332 • DDR3/DDR3L SDRAM Output Signal AC Characteristics

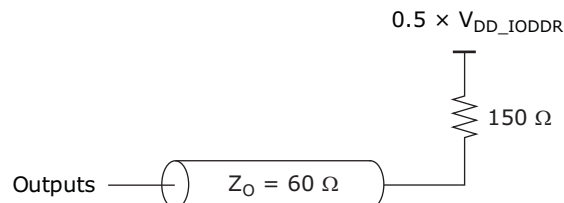
Parameter	Symbol	Minimum	Typical	Maximum	Unit
DDR_CK cycle time 312.5 MHz (DDR800) ¹	t_{CLK}		3.20		ns

Table 332 • DDR3/DDR3L SDRAM Output Signal AC Characteristics (continued)

Parameter	Symbol	Minimum	Typical	Maximum	Unit
DDR_CK/CKn duty cycle		48		52	%
DDR_A, DDR_BA, DDR_CKE, DDR_nRAS, DDR_nCAS, and DDR_nWE output setup time relative to DDR_CK/CKn	t_{AS}	700			ps
DDR_A, DDR_BA, DDR_CKE, DDR_nRAS, DDR_nCAS, and DDR_nWE output hold time relative to DDR_CK/CKn	t_{AH}	800			ps
DDR_CK/CKn to DDR_DQS skew	t_{CLKDQS}	-400		400	ps
DDR_DQ[7:0]/DDR_LDM output setup time relative to DDR_LDQS	t_{DS}	400			ps
DDR_DQ[15:8]/DDR_UDM output setup time relative to DDR_UDQS	t_{DS}	400			ps
DDR_DQ[7:0]/DDR_LDM output hold time relative to DDR_LDQS	t_{DH}	500			ps
DDR_DQ[15:8]/DDR_UDM output hold time relative to DDR_UDQS	t_{DH}	500			ps
DDR_DQS preamble start	t_{DQSPRE}	$0.4 \times t_{CLK}$		$0.6 \times t_{CLK}$	ps
DDR_DQS postamble end	t_{DQSPST}	$0.4 \times t_{CLK}$		$0.6 \times t_{CLK}$	ps

1. Timing reference is DDR_CK/DDR_CKn crossing ± 0.1 V.

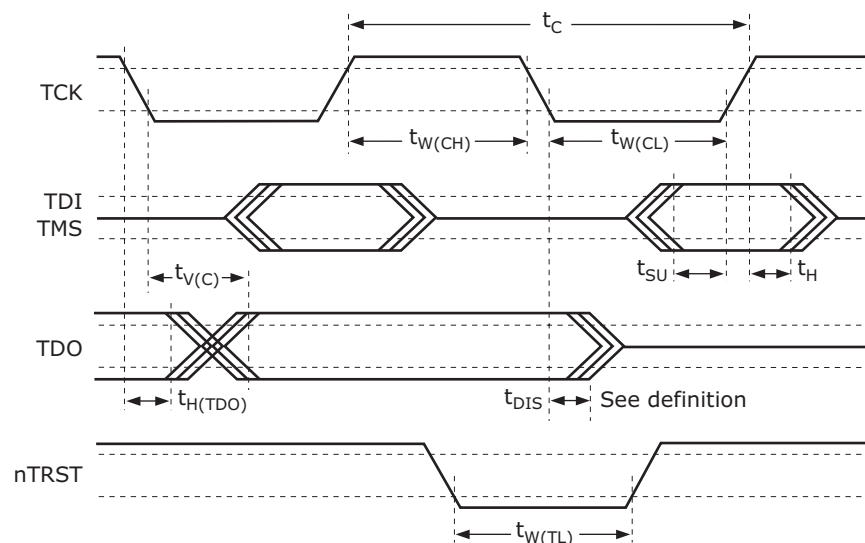
The following illustration shows the test load circuit for the DDR3 outputs.

Figure 134 • Test Load Circuit for DDR3 Outputs

6.2.12 JTAG Interface

All AC specifications for the JTAG interface meet or exceed the requirements of IEEE 1149.1-2001.

The following illustration shows the JTAG transmit and receive waveforms and required measurement points for the different signals.

Figure 135 • JTAG Interface Timing Diagram

All JTAG signals comply with the specifications in the following table. The JTAG receive signal requirements are requested at the pin of the devices.

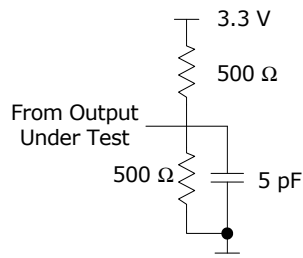
The JTAG_nTRST signal is asynchronous to the clock and does not have a setup or hold time requirement.

Table 333 • JTAG Interface AC Specifications

Parameter	Symbol	Minimum	Maximum	Unit	Condition
TCK frequency	f		10	MHz	
TCK cycle time	t_C	100		ns	
TCK high time	$t_{W(CH)}$	40		ns	
TCK low time	$t_{W(CL)}$	40		ns	
Setup time to TCK rising	t_{SU}	10		ns	
Hold time from TCK rising	t_H	10		ns	
TDO valid after TCK falling	$t_{V(C)}$		28	ns	$C_L = 10$ pF
TDO hold time from TCK falling	$t_{H(TDO)}$	0		ns	$C_L = 0$ pF
TDO disable time ¹	t_{DIS}		30	ns	See Figure 135, page 402.
nTRST time low	$t_{W(TL)}$	30		ns	

1. The pin begins to float when a 300 mV change from the actual V_{OH}/V_{OL} level occurs.

The following illustration shows the test circuit for the TDO disable time.

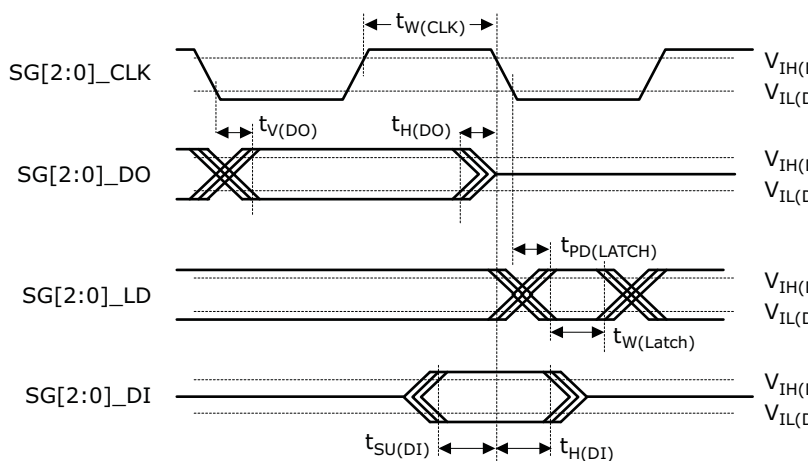
Figure 136 • Test Circuit for TDO Disable Time

6.2.13 Serial Inputs/Outputs

This section provides the AC characteristics for the serial I/O signals: SG[2:0]_CLK, SG[2:0]_DO, SG[2:0]_DI, and SG[2:0]_LD. These signals are GPIO alternate functions. For more information, see Table 273, page 357.

The serial I/O timing diagram is shown in the following illustration.

Figure 137 • Serial I/O Timing Diagram



The following table lists the serial I/O timing specifications.

Table 334 • Serial I/O Timing Specifications

Parameter	Symbol	Minimum	Maximum	Unit
Clock frequency ¹	f		25	MHz
SG[2:0]_CLK clock pulse width	$t_{W(CLK)}$	40	60	%
SG[2:0]_DO valid after clock falling	$t_{V(DO)}$		6	ns
SG[2:0]_DO hold time from clock falling	$t_{H(DO)}$		6	ns
SG[2:0]_LD propagation delay from clock falling	$t_{PD(LATCH)}$	40		ns
SG[2:0]_LD width	$t_{W(LATCH)}$	10		ns
SG[2:0]_DI setup time to clock	$t_{SU(DI)}$	25		ns
SG[2:0]_DI hold time from clock	$t_{H(DI)}$	4		ns

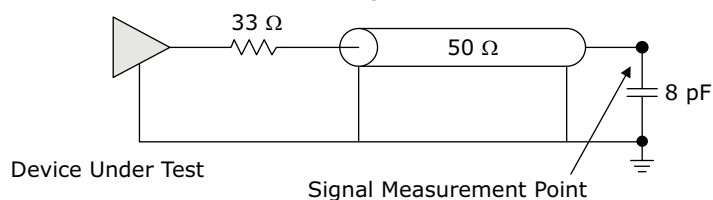
1. The SIO clock frequency is programmable.

6.2.14 Recovered Clock Outputs

This section provides the AC characteristics for the recovered clock output signals: RCVRD_CLK[3:0].

The following illustration shows the test circuit for the recovered clock output signals.

Figure 138 • Test Circuit for Recovered Clock Output Signals



The following table lists the AC specifications for the recovered clock outputs.

Table 335 • Recovered Clock Output AC Specifications

Parameter	Symbol	Minimum	Maximum	Unit	Condition
RCVRD_CLK[3:0] clock frequency	f		161.33	MHz	
Clock duty cycle	t_C	40	60	%	Measured at 50% threshold.
RCVRD_CLK[3:0] rise time and fall time	t_R, t_F		1.5	ns	
Squelching delay from SGMII signal to RCVRD_CLK[3:0]			200	ns	Squelch enabled.
Squelching delay from XAUI signal to RCVRD_CLK[3:0]			200	ns	Squelch enabled.
RCVRD_CLK[3:0] peak-to-peak jitter, bandwidth between 12 kHz and 10 MHz ¹ , 60 second gate time			200	ps	Jitter-free input to SerDes Rx.
RCVRD_CLK[3:0] peak-to-peak jitter, bandwidth between 10 MHz and 80 MHz ¹ , 60-second gate time			200	ps	Jitter-free input to SerDes Rx.

1. Maximum jitter on the recovered signal.

6.2.15 Two-Wire Serial Interface

This section provides the AC specifications for the two-wire serial interface signals TWI_SCL and TWI_SDA. The two-wire serial interface signals are GPIO alternate functions. For more information about the GPIO pin mapping, see [GPIO Overlaid Functions](#), page 354.

The two-wire serial interface signals are compatible with the Philips I2C-BUS specifications, except for the minimum rise time and fall time requirements for fast mode.

Figure 139 • Two-Wire Serial Read Timing Diagram

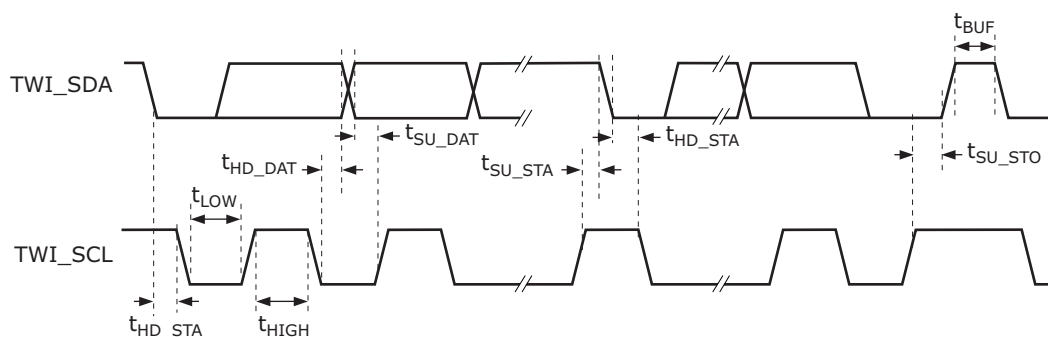
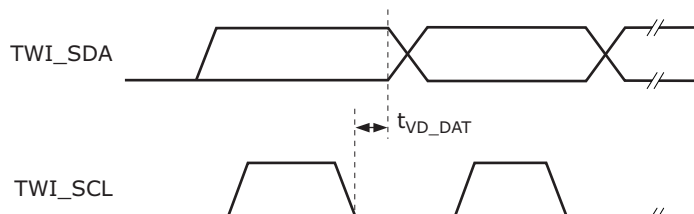


Figure 140 • Two-Wire Serial Write Timing Diagram



The following table lists the AC specifications for the serial interface. Standard mode is defined as 100 kHz and fast mode is 400 kHz. The data in this table assumes that the software-configurable two-

wire interface timing parameters, SS_SCL_HCNT, SS_SCL_LCNT, FS_SCL_HCNT, and FS_SCL_LCNT, are set to valid values for the selected speed.

Table 336 • Two-Wire Serial Interface AC Specifications

Parameter	Symbol	Standard Mode		Fast Mode		Unit	Condition
		Minimum	Maximum	Minimum	Maximum		
TWI_SCL clock frequency	f		100		400	kHz	
TWI_SCL low period	t_{LOW}	4.7		1.3		μ s	
TWI_SCL high period	t_{HIGH}	4.0		0.6		μ s	
TWI_SCL and TWI_SDA rise time			1000		300	ns	
TWI_SCL and TWI_SDA fall time			300		300	ns	
TWI_SDA setup time to TWI_SCL fall	t_{SU_DAT}	250		100	300	ns	
TWI_SDA hold time to TWI_SCL fall ¹	t_{HD_DAT}	300	3450	300	900	ns	300 ns delay enabled in ICPU_CFG::TWI_CONFIG register.
Setup time for repeated START condition	t_{SU_STA}	4.7		0.6		μ s	
Hold time after repeated START condition	t_{HD_STA}	4.0		0.6		μ s	
Bus free time between STOP and START conditions	t_{BUF}	4.7		1.3		μ s	
Clock to valid data out ²	t_{VD_DAT}	300		300		ns	
Pulse width of spike suppressed by input filter on TWI_SCL or TWI_SDA		0	5	0	5	ns	

1. An external device must provide a hold time of at least 300 ns for the TWI_SDA signal to bridge the undefined region of the falling edge of the TWI_SCL signal.
2. Some external devices may require more data in hold time (target device's t_{HD_DAT}) than what is provided by t_{VD_DAT} , for example, 300 ns to 900 ns. The minimum value of t_{VD_DAT} is adjustable; the value given represents the recommended minimum value, which is enabled in ICPU_CFG::TWI_CONFIG.TWI_DELAY_ENABLE.

6.2.16 IEEE 1588 Time Tick Outputs

This section provides the AC specifications for the IEEE 1588 time tick output signals PTP_[3:0]. The PTP signals are GPIO alternate functions. For more information, see [GPIO Overlaid Functions](#), page 354.

Table 337 • IEEE1588 Time Tick Output AC Specifications

Parameter	Symbol	Minimum	Maximum	Unit	Condition
PTP[3:0] frequency ¹	f		25	MHz	
Clock duty cycle ²		45	55	%	Measured at 50% threshold.
PTP[3:0] rise time and fall time	t_R, t_F	1		ns	20% to 80% threshold.
PTP[3:0] peak-to-peak jitter, bandwidth between 12 kHz and 10 MHz ³			200	ps	

Table 337 • IEEE1588 Time Tick Output AC Specifications (continued)

Parameter	Symbol	Minimum	Maximum	Unit	Condition
PTP[3:0] peak-to-peak jitter, bandwidth between 10 MHz and 80 MHz ³			200	ps	

1. Frequency is programmable.
2. Both high and low clock periods are configured to the identical value using DEVCPU_PTP::PIN_WF_HIGH_PERIOD and DEVCPU_PTP::PIN_WF_LOW_PERIOD.
3. Timing corrections performed by register writes and high/low periods that do not match a fixed number of 156.25MHz clock cycles will create jitter up to 3.5 ns.

6.3 Current and Power Consumption

This section provides the current and power consumption requirements for the VSC7442-02, VSC7444-02, VSC7448-02, and VSC7449-02 devices.

6.3.1 Current Consumption

The following tables show the operating current for the devices. Typical current consumption values are over a full traffic load, nominal process and supply voltages, and at 25 °C case temperature. Maximum current consumption values are over full traffic load and worst-case process, temperature, and supply settings.

The following table shows current consumption values for VSC7442-02.

Table 338 • Operating Current for VSC7442-02

Parameter	Symbol	Typical	Maximum	Unit
V _{DD} operating current, 1.0 V	I _{DD}	4.1	7.5	A
V _{DD_A} operating current, 1.0 V	I _{DD_A}	2.3	2.7 ¹	A
V _{DD_ref25} operating current, 2.5 V	I _{DD_ref25}	0.05	0.08	A
V _{DD_HS} operating current, 1.0 V or 1.2 V	I _{DD_HS}	0.18	0.22	A
V _{DD_V1} operating current, 1.0 V or 1.2 V	I _{DD_V1}	0.36	0.42	A
V _{DD_V2} operating current, 1.0 V or 1.2 V	I _{DD_V2}	0.20	0.23	A
V _{DD_S} operating current, 1.0 V or 1.2 V	I _{DD_S}	0.10	0.13	A
V _{DD_IODDR} operating current ² , 1.35 V or 1.5 V	I _{DD_IODDR}	0.08	0.20	A
V _{DD_IO33} operating current ³ , 3.3 V	I _{DD_IO33}	0.005	0.015	A
V _{DD_IOMIIM0} operating current ³ , 2.5 V or 3.3 V	I _{DD_IOMIIM0}	0.002	0.005	A

1. The maximum current at reset is 2.9 A.
2. DDR3 on-die termination is disabled.
3. Unloaded pins.

The following table shows the typical and maximum current consumption values for VSC7444-02.

Table 339 • Operating Current for VSC7444-02

Parameter	Symbol	Typical	Maximum	Unit
V _{DD} operating current, 1.0 V	I _{DD}	4.1	7.5	A
V _{DD_A} operating current, 1.0 V	I _{DD_A}	2.2	2.6 ¹	A
V _{DD_ref25} operating current, 2.5 V	I _{DD_ref25}	0.05	0.08	A
V _{DD_HS} operating current, 1.0 V or 1.2 V	I _{DD_HS}	0.10	0.12	A
V _{DD_V1} operating current, 1.0 V or 1.2 V	I _{DD_V1}	0.36	0.42	A

Table 339 • Operating Current for VSC7444-02 (continued)

Parameter	Symbol	Typical	Maximum	Unit
V _{DD_V2} operating current, 1.0 V or 1.2 V	I _{DD_V2}	0.20	0.23	A
V _{DD_S} operating current, 1.0 V or 1.2 V	I _{DD_S}	0.10	0.13	A
V _{DD_IODDR} operating current ² , 1.35 V or 1.5 V	I _{DD_IODDR}	0.08	0.20	A
V _{DD_IO33} operating current ³ , 3.3 V	I _{DD_IO33}	0.005	0.015	A
V _{DD_IOMIIM0} operating current ³ , 2.5 V or 3.3 V	I _{DD_IOMIIM0}	0.002	0.005	A

1. The maximum current at reset is 2.9 A.
2. DDR3 on-die termination is disabled.
3. Unloaded pins.

The following table shows current consumption values for VSC7448-02.

Table 340 • Operating Current for VSC7448-02

Parameter	Symbol	Typical	Maximum	Unit
V _{DD} operating current, 1.0 V	I _{DD}	4.1	7.6	A
V _{DD_A} operating current, 1.0 V	I _{DD_A}	2.5	2.9	A
V _{DD_ref25} operating current, 2.5 V	I _{DD_ref25}	0.05	0.08	A
V _{DD_HS} operating current, 1.0 V or 1.2 V	I _{DD_HS}	0.18	0.22	A
V _{DD_V1} operating current, 1.0 V or 1.2 V	I _{DD_V1}	0.36	0.42	A
V _{DD_V2} operating current, 1.0 V or 1.2 V	I _{DD_V2}	0.20	0.23	A
V _{DD_S} operating current, 1.0 V or 1.2 V	I _{DD_S}	0.10	0.13	A
V _{DD_IODDR} operating current ¹ , 1.35 V or 1.5 V	I _{DD_IODDR}	0.08	0.20	A
V _{DD_IO33} operating current ² , 3.3 V	I _{DD_IO33}	0.005	0.015	A
V _{DD_IOMIIM0} operating current ² , 2.5 V or 3.3 V	I _{DD_IOMIIM0}	0.002	0.005	A

1. DDR3 on-die termination is disabled.
2. Unloaded pins.

The following table shows current consumption values for VSC7449-02.

Table 341 • Operating Current for VSC7449-02

Parameter	Symbol	Typical	Maximum	Unit
V _{DD} operating current, 1.0 V	I _{DD}	4.6	8.1	A
V _{DD_A} operating current, 1.0 V	I _{DD_A}	2.5	2.9	A
V _{DD_ref25} operating current, 2.5 V	I _{DD_ref25}	0.05	0.08	A
V _{DD_HS} operating current, 1.0 V or 1.2 V	I _{DD_HS}	0.18	0.22	A
V _{DD_V1} operating current, 1.0 V or 1.2 V	I _{DD_V1}	0.36	0.42	A
V _{DD_V2} operating current, 1.0 V or 1.2 V	I _{DD_V2}	0.20	0.23	A
V _{DD_S} operating current, 1.0 V or 1.2 V	I _{DD_S}	0.10	0.13	A
V _{DD_IODDR} operating current ¹ , 1.35 V or 1.5 V	I _{DD_IODDR}	0.08	0.20	A
V _{DD_IO33} operating current ² , 3.3 V	I _{DD_IO33}	0.005	0.015	A
V _{DD_IOMIIM0} operating current ³ , 2.5 V or 3.3 V	I _{DD_IOMIIM0}	0.002	0.005	A

1. DDR3 on-die termination is disabled.

2. Unloaded pins.

6.3.2 Power Consumption

The following table shows the typical and maximum power consumption of the devices, based on current consumption and with DDR3 on-die termination disabled. Typical power consumption values are over nominal process and supply settings and at 25 °C case temperature. Maximum power consumption values are over maximum temperature and at maximum supply voltages.

The following table shows the typical and maximum power consumption values for the VSC7442-02 device.

Table 342 • Power Consumption for VSC7442-02

Parameter	Typical	Maximum	Unit
Power consumption, V_{DD_S} , V_{DD_V1} , V_{DD_V2} , and $V_{DD_HS} = 1.0$ V	7.5	12.4	W
Power consumption, V_{DD_S} , V_{DD_V1} , V_{DD_V2} , and $V_{DD_HS} = 1.2$ V	7.7	12.6	W

The following table shows the typical and maximum power consumption values for the VSC7444-02 device.

Table 343 • Power Consumption for VSC7444-02

Parameter	Typical	Maximum	Unit
Power consumption, V_{DD_S} , V_{DD_V1} , V_{DD_V2} , and $V_{DD_HS} = 1.0$ V	7.3	12.1	W
Power consumption, V_{DD_S} , V_{DD_V1} , V_{DD_V2} , and $V_{DD_HS} = 1.2$ V	7.5	12.3	W

The following table shows the typical and maximum power consumption values for the VSC7448-02 device.

Table 344 • Power Consumption for VSC7448-02

Parameter	Typical	Maximum	Unit
Power consumption, V_{DD_S} , V_{DD_V1} , V_{DD_V2} , and $V_{DD_HS} = 1.0$ V	7.7	12.7	W
Power consumption, V_{DD_S} , V_{DD_V1} , V_{DD_V2} , and $V_{DD_HS} = 1.2$ V	7.9	12.9	W

The following table shows the typical and maximum power consumption values for the VSC7449-02 device.

Table 345 • Power Consumption for VSC7449-02

Parameter	Typical	Maximum	Unit
Power consumption, V_{DD_S} , V_{DD_V1} , V_{DD_V2} , and $V_{DD_HS} = 1.0$ V	8.2	13.2	W
Power consumption, V_{DD_S} , V_{DD_V1} , V_{DD_V2} , and $V_{DD_HS} = 1.2$ V	8.4	13.4	W

The following table shows typical power consumption reduction for reduced configurations compared to maximum configurations.

Table 346 • Power Consumption, Reduced Configurations

Parameter	Typical	Unit
Power consumption reduction for each SERDES6G port disabled	70	mW
Power consumption reduction for each SERDES10G port disabled	240	mW

6.3.3 Power Supply Sequencing

During power on and off, V_{DD_A} , V_{DD_HS} , V_{DD_V1} , V_{DD_V2} , and V_{DD_S} must never be more than 300 mV above V_{DD} .

V_{DD_HS} , V_{DD_V1} , V_{DD_V2} , and V_{DD_S} must be powered, even if the associated interface is not used. These power supplies must not remain at ground or left floating.

A maximum delay of 100 ms from V_{DD_IODDR} to V_{DD} is recommended. There is no requirement from V_{DD} to V_{DD_IODDR} .

The V_{DD_IODDR} supply can remain at ground or left floating if not used. If V_{DD_IODDR} is grounded, DDR_Vref must also be grounded.

There are no sequencing requirements for $V_{DD_IOMIIM0}$ and V_{DD_IO33} . $V_{DD_IOMIIM0}$ can remain at ground or left floating if not used.

The nRESET and JTAG_nTRST inputs must be held low until all power supply voltages have reached their recommended operating condition values.

6.4 Operating Conditions

The following table shows the recommended operating conditions.

Table 347 • Recommended Operating Conditions

Parameter	Symbol	Minimum	Typical	Maximum	Unit
Power supply voltage for core supply	V_{DD}	0.95	1.0	1.05	V
Power supply voltage for analog circuits	V_{DD_A}	0.95	1.0	1.05	V
Reference supply for SerDes and PLL	V_{DD_ref25}	2.375	2.5	2.625	V
Power supply voltage for SERDES10G, 1.0 V	V_{DD_HS}	0.95	1.0	1.05	V
Power supply voltage for SERDES10G, 1.2 V	V_{DD_HS}	1.14	1.2	1.26	V
Power supply voltage for SERDES6G, 1.0 V ¹	V_{DD_V1}, V_{DD_V2}	0.95	1.0	1.05	V
Power supply voltage for SERDES6G, 1.2 V	V_{DD_V1}, V_{DD_V2}	1.14	1.2	1.26	V
Power supply voltage for SERDES1G, 1.0 V	V_{DD_S}	0.95	1.0	1.05	V
Power supply voltage for SERDES1G, 1.2 V	V_{DD_S}	1.14	1.2	1.26	V
Power supply voltage for DDR3 interface	V_{DD_IODDR}	1.425	1.5	1.575	V
Power supply voltage for DDR3L interface	V_{DD_IODDR}	1.28	1.35	1.45	V
Power supply voltage for GPIO and miscellaneous I/O	V_{DD_IO33}	3.13	3.3	3.47	V
Power supply voltage for MIIM interface 0, 2.5 V	$V_{DD_IOMIIM0}$	2.375	2.5	2.625	V
Power supply voltage for MIIM interface 0, 3.3 V	$V_{DD_IOMIIM0}$	3.13	3.3	3.47	V
Operating temperature ²	T	-40		110	°C

- V_{DD_V1} and V_{DD_V2} should be powered with the 1.2 V supply to meet 1000BASE-KX, XAUI, 10GBASE-CX4, 10GBASE-KX4, and PCIe specifications.
- Minimum specification is ambient temperature, and the maximum is junction temperature.

6.5 Stress Ratings

Warning Stresses listed in the following table may be applied to devices one at a time without causing permanent damage. Functionality at or exceeding the values listed is not implied. Exposure to these values for extended periods may affect device reliability.

Table 348 • Stress Ratings

Parameter	Symbol	Minimum	Maximum	Unit
Power supply voltage for core supply	V_{DD}	-0.3	1.10	V
Power supply voltage for analog circuits	V_{DD_A}	-0.3	1.10	V
Reference supply for SerDes and PLL	V_{DD_ref25}	-0.3	2.75	V
Power supply voltage for SERDES10G	V_{DD_HS}	-0.3	1.32	V
Power supply voltage for SERDES6G	V_{DD_V1}, V_{DD_V2}	-0.3	1.32	V
Power supply voltage for SERDES1G	V_{DD_S}	-0.3	1.32	V
Power supply voltage for DDR I/O buffers	V_{DD_IODDR}	-0.3	1.98	V
Power supply voltage for GPIO and miscellaneous I/O	V_{DD_IO33}	-0.3	3.63	V
Power supply voltage for MIIM interface 0	$V_{DD_IOMIIM0}$	-0.3	3.63	V
Electrostatic discharge voltage, charged device model	V_{ESD_CDM}	-250	250	V
Electrostatic discharge voltage, human body model	V_{ESD_HBM}	See note ¹		V
Storage temperature	T_S	-55	125	°C

1. This device has completed all required testing as specified in the JEDEC standard JESD22-A114, *Electrostatic Discharge (ESD) Sensitivity Testing Human Body Model (HBM)*, and complies with a Class 2 rating. The definition of Class 2 is any part that passes an ESD pulse of 2000 V, but fails an ESD pulse of 4000 V.

Warning This device can be damaged by electrostatic discharge (ESD) voltage. Microsemi recommends that all integrated circuits be handled with appropriate precautions. Failure to observe proper handling and installation procedures may adversely affect reliability of the device.

7 Pin Descriptions for VSC7442-02



The VSC7442-02 device has 672 pins, which are described in this section.

The pin information is also provided as an attached Microsoft Excel file, so that you can copy it electronically. In Adobe Reader, double-click the attachment icon.

7.1 Pin Diagram for VSC7442-02

The following illustration is a representation of the VSC7442-02 device, as seen from the top view looking through the device. For clarity, the device is shown in two halves, the top left and the top right.

Figure 141 • Pin Diagram for VSC7442-02, Top Left

	1	2	3	4	5	6	7	8	9	10	11	12	13
A		GPIO_48	GPIO_41	GPIO_43	GPIO_45	GPIO_47	GPIO_36	GPIO_35	GPIO_20	GPIO_0	GPIO_4	GPIO_8	GPIO_10
B	GPIO_50	GPIO_49	GPIO_32	GPIO_40	GPIO_42	GPIO_44	GPIO_46	GPIO_34	GPIO_21	GPIO_1	GPIO_5	GPIO_9	GPIO_11
C	GPIO_51	GPIO_52	GPIO_33	GPIO_30	GPIO_28	GPIO_26	GPIO_24	GPIO_37	GPIO_22	GPIO_2	GPIO_6	GPIO_12	RESERVED_0
D	GPIO_53	GPIO_54	GPIO_55	GPIO_31	GPIO_29	GPIO_27	GPIO_25	GPIO_19	GPIO_23	GPIO_3	GPIO_7	GPIO_13	VSS_1
E	REFCLK2_EN	REFCLK2_SEL2	REFCLK2_SEL1	REFCLK2_SEL0	VSS_4	VDD_IO_2	VSS_5	VDD_IO_3	VDD_IO_4	VSS_6	VDD_IO_5	VDD_IO_6	VSS_7
F	RESERVED_3	RESERVED_2	RESERVED_1	VSS_13	VSS_14	VSS_15	VSS_16	VDD_IO_11	VDD_IO_12	VSS_17	VDD_IO_13	VDD_IO_14	VSS_18
G	DDR_A15	DDR_A14	NC_4	VSS_24	VDD_IO_19	VDD_IO_20	VSS_25	VDD_2	VDD_3	VSS_26	VDD_4	VDD_5	VSS_27
H	DDR_nCS0	NC_5	GPIO_38	GPIO_39	VDD_IO_21	VDD_IO_22	VSS_31	VDD_10	VDD_11	VSS_32	VDD_12	VDD_13	VSS_33
J	DDR_LDQS	DDR_LDQSn	DDR_LDM	DDR_DQ6	VSS_37	VSS_38	VSS_39	VSS_40	VSS_41	VSS_42	VSS_43	VSS_44	VSS_45
K	DDR_DQ0	DDR_DQ7	DDR_DQ3	DDR_DQ1	VDD_IODDR_1	VDD_IODDR_2	VSS_55	VDD_18	VDD_19	VSS_56	VDD_20	VDD_21	VSS_57
L	DDR_DQ5	DDR_DQ2	DDR_nRAS	DDR_DQ4	VDD_IODDR_3	VDD_IODDR_4	VSS_61	VDD_26	VDD_27	VSS_62	VDD_28	VDD_29	VSS_63
M	DDR_A0	DDR_ODT0	DDR_A2	DDR_nCAS	VSS_67	VSS_68	VSS_69	VSS_70	VSS_71	VSS_72	VSS_73	VSS_74	VSS_75
N	DDR_A8	DDR_A4	DDR_nWE	DDR_A6	VSS_85	VSS_86	VSS_87	VSS_88	VSS_89	VSS_90	VSS_91	VSS_92	VSS_93
P	DDR_CkN	DDR_CK	DDR_A11	DDR_A13	VDD_IODDR_5	VDD_IODDR_6	VSS_105	VDD_34	VDD_35	VSS_106	VDD_36	VDD_37	VSS_107
R	DDR_A12	DDR_A7	DDR_A9	DDR_A5	VDD_IODDR_7	VDD_IODDR_8	VSS_112	VDD_42	VDD_43	VSS_111	VDD_44	VDD_45	VSS_113
T	DDR_A3	DDR_A10	DDR_A1	DDR_BA1	VSS_119	VSS_120	VSS_121	VSS_122	VSS_123	VSS_124	VSS_125	VSS_126	VSS_127
U	DDR_BA0	DDR_BA2	DDR_CKE	DDR_ODT1	VDD_IODDR_9	VDD_IODDR_10	VSS_137	VDD_50	VDD_51	VSS_138	VDD_52	VDD_53	VSS_139
V	DDR_DQ12	DDR_DQ11	DDR_DQ10	DDR_DQ13	VDD_IODDR_11	VDD_IODDR_12	VSS_145	VDD_58	VDD_59	VSS_146	VDD_60	VDD_61	VSS_147
W	DDR_DQ9	DDR_DQ14	DDR_DQ8	DDR_DQ15	VSS_151	VSS_152	VSS_153	VDD_A_3	VDD_A_4	VSS_154	VDD_A_5	VDD_A_6	VSS_155
Y	DDR_Rext	DDR_UDM	DDR_UDQS	DDR_UDQSn	VDD_IODDR_13	VDD_IODDR_14	VSS_162	VDD_A_11	VDD_A_12	VSS_163	VDD_A_13	VDD_A_14	VSS_164
AA	DDR_nCS1	NC_6	NC_7	VSS_169	VSS_170	VSS_171	VSS_172	VDD_S_1	VDD_S_2	VSS_173	VDD_S_3	VDD_S_4	VSS_174
AB	MDIO0	DDR_Vref	SERDES_Rext_1	SERDES_Rext_0	VSS_180	VSS_181	VSS_182	VDD_S_5	VDD_S_6	VSS_183	VDD_S_7	VDD_S_8	VSS_184
AC	MDC0	VDD_IOMIIM0	RESERVED_6	RESERVED_12	RESERVED_14	RESERVED_20	RESERVED_22	RESERVED_28	RESERVED_30	RESERVED_36	RESERVED_38	RESERVED_44	RESERVED_46
AD	S0_TXN	S0_TXP	RESERVED_5	RESERVED_11	RESERVED_13	RESERVED_19	RESERVED_21	RESERVED_27	RESERVED_29	RESERVED_35	RESERVED_37	RESERVED_43	RESERVED_45
AE	S0_RXN	S0_RXP	RESERVED_8	RESERVED_10	RESERVED_16	RESERVED_18	RESERVED_24	RESERVED_26	RESERVED_32	RESERVED_34	RESERVED_40	RESERVED_41	RESERVED_48
AF		NC_8	RESERVED_7	RESERVED_9	RESERVED_15	RESERVED_17	RESERVED_23	RESERVED_25	RESERVED_31	RESERVED_33	RESERVED_39	RESERVED_42	RESERVED_47

Figure 142 • Pin Diagram for VSC7442-02, Top Right

14	15	16	17	18	19	20	21	22	23	24	25	26	
GPIO_14	SI_CLK	SI_DI	JTAG_JCE_nEN	THERMDA	nRESET	GPIO_57	GPIO_59	CLKOUT2_P	CLKOUT2_N	REFCLK2_P	REFCLK2_N		A
GPIO_15	SI_DO	SI_nCS0	NC_3	THERMDC	NC_1	GPIO_56	GPIO_58	PCIE_TXP	PCIE_TXN	NC_9	PCIE_RXP	PCIE_RXN	B
VDD_1	GPIO_17	REFCLK_SEL1	REFCLK_SEL2	NC_2	GPIO_63	GPIO_61	RCVRD_CLK2	RCVRD_CLK0	RCVRD_CLK1	JTAG_TDI	JTAG_TDO	JTAG_TCK	C
VSS_2	GPIO_18	GPIO_16	REFCLK_SELO	RCVRD_CLK3	GPIO_62	GPIO_60	VDD_IO_1	JTAG_TMS	JTAG_nTRST	VSS_3	RESERVED_106	RESERVED_107	D
VSS_8	VDD_IO_7	VDD_IO_8	VSS_9	VSS_10	VSS_11	VDD_IO_9	VDD_IO_10	RESERVED_109	RESERVED_108	VSS_12	RESERVED_105	RESERVED_104	E
VSS_19	VDD_IO_15	VDD_IO_16	VSS_20	VSS_21	VSS_22	VDD_IO_17	VDD_IO_18	RESERVED_103	RESERVED_102	VSS_23	RESERVED_98	RESERVED_99	F
VSS_28	VDD_6	VDD_7	VSS_29	VDD_8	VDD_9	VDD_V2_1	VDD_V2_2	RESERVED_101	RESERVED_100	VSS_30	RESERVED_97	RESERVED_96	G
VSS_34	VDD_14	VDD_15	VSS_35	VDD_16	VDD_17	VDD_V2_3	VDD_V2_4	RESERVED_95	RESERVED_94	VSS_36	RESERVED_90	RESERVED_91	H
VSS_46	VSS_47	VSS_48	VSS_49	VSS_50	VSS_51	VSS_52	VSS_53	RESERVED_93	RESERVED_92	VSS_54	RESERVED_89	RESERVED_88	J
VSS_58	VDD_22	VDD_23	VSS_59	VDD_24	VDD_25	VDD_V2_5	VDD_V2_6	RESERVED_87	RESERVED_86	VSS_60	RESERVED_82	RESERVED_83	K
VSS_64	VDD_30	VDD_31	VSS_65	VDD_32	VDD_33	VDD_V2_7	VDD_V2_8	RESERVED_85	RESERVED_84	VSS_66	RESERVED_81	RESERVED_80	L
VSS_76	VSS_77	VSS_78	VSS_79	VSS_80	VSS_81	VSS_82	VSS_83	RESERVED_79	RESERVED_78	VSS_84	REFCLK_P	REFCLK_N	M
VSS_94	VSS_95	VSS_96	VSS_97	VSS_98	VSS_99	VSS_100	VSS_101	HS_TST_P	HS_TST_N	VSS_102	VSS_103	VSS_104	N
VSS_108	VDD_38	VDD_39	VSS_109	VDD_40	VDD_41	VDD_V1_1	VDD_V1_2	VDD_HS_1	VDD_HS_2	VSS_110	S36_RXP	S36_RXN	P
VSS_114	VDD_46	VDD_47	VSS_115	VDD_48	VDD_49	VDD_V1_3	VDD_V1_4	S36_TXP	S36_TXN	VSS_116	VSS_117	VSS_118	R
VSS_128	VSS_129	VSS_130	VSS_131	VSS_132	VSS_133	VSS_134	VSS_135	VDD_HS_3	VDD_HS_4	VSS_136	S35_RXP	S35_RXN	T
VSS_140	VDD_54	VDD_55	VSS_141	VDD_56	VDD_57	VDD_A_1	VDD_V1_5	S35_TXP	S35_TXN	VSS_142	VSS_143	VSS_144	U
VSS_148	VDD_62	VDD_63	VSS_149	VDD_64	VDD_65	VDD_A_2	VDD_V1_6	VDD_HS_5	VDD_HS_6	VSS_150	S34_RXP	S34_RXN	V
VSS_156	VDD_A_7	VDD_A_8	VSS_157	VDD_A_9	VDD_A_10	VDD_ref25_0	VSS_158	S34_TXP	S34_TXN	VSS_159	VSS_160	VSS_161	W
VSS_165	VDD_A_15	VDD_A_16	VSS_166	VDD_A_17	VDD_A_18	VDD_ref25_1	VSS_167	VDD_HS_7	VDD_HS_8	VSS_168	S33_RXP	S33_RXN	Y
VSS_175	VDD_V1_7	VDD_V1_8	VSS_176	VDD_V1_9	VDD_V1_10	VDD_ref25_2	VSS_177	S33_TXP	S33_TXN	VSS_178	RESERVED_4	VSS_179	AA
VSS_185	VDD_V1_11	VDD_V1_12	VSS_186	VDD_V1_13	VDD_V1_14	VSS_187	VSS_188	VSS_189	VSS_190	VSS_191	VSS_192	S24_TXP	AB
RESERVED_52	S13_TXP	S14_TXP	S15_TXP	S16_TXP	S17_TXP	S18_TXP	S19_TXP	S20_TXP	S21_TXP	S22_TXP	S23_TXP	S24_TXN	AC
RESERVED_51	S13_TXN	S14_TXN	S15_TXN	S16_TXN	S17_TXN	S18_TXN	S19_TXN	S20_TXN	S21_TXN	S22_TXN	S23_TXN	S24_RXP	AD
RESERVED_49	S13_RXP	S14_RXP	S15_RXP	S16_RXP	S17_RXP	S18_RXP	S19_RXP	S20_RXP	S21_RXP	S22_RXP	S23_RXP	S24_RXN	AE
RESERVED_50	S13_RXN	S14_RXN	S15_RXN	S16_RXN	S17_RXN	S18_RXN	S19_RXN	S20_RXN	S21_RXN	S22_RXN	S23_RXN		AF

7.2 Pins by Function for VSC7442-02

This section contains the functional pin descriptions for the VSC7442-02 device.

The following table lists the definitions for the pin type symbols.

Table 349 • Pin Type Symbol Definitions

Symbol	Pin Type	Description
A	Analog input	Analog input for sensing variable voltage levels.
ABIAS	Analog bias	Analog bias pin.
DIFF	Differential	Differential signal pair.
I	Input	Input signal.
O	Output	Output signal.
I/O	Bidirectional	Bidirectional input or output signal.
O	Output	Output signal.
OZ	3-state output	Output
LVDS	Input or output	Low voltage differential signal
LVCNOS	Input or output	Low voltage CMOS signal

Table 349 • Pin Type Symbol Definitions (continued)

Symbol	Pin Type	Description
PD	Pull-down	On-chip pull-down resistor to VSS.
PU	Pull-up	On-chip pull-up resistor to VDD_IO.
3V		3.3 V-tolerant.
ST	Schmitt-trigger	Input has Schmitt-trigger circuitry.
TD	Termination differential	Internal differential termination.

7.2.1 DDR SDRAM Interface

The following table lists the pins associated with the DDR3/DDR3L SDRAM interface.

Table 350 • DDR3/DDR3L SDRAM Pins

Name	I/O	Type	Description
DDR_A[15:0]	O		SDRAM address outputs. Provide row and column addresses to the SDRAM.
DDR_BA[2:0]	O		SDRAM bank address outputs. DDR_BA[2:0] define to which bank an ACTIVE, READ, WRITE, or PRECHARGE command is applied.
DDR_CK DDR_CKn	O	DIFF	SDRAM differential clock. Differential clock to external SDRAM. DDR_CK is the true part of the differential signal. DDR_CKn is the complement part.
DDR_CKE	O		SDRAM clock enable. 0: Disables clock in external SDRAM. 1: Enables clock in external SDRAM.
DDR_nCS[1:0]	O		SDRAM chip selects. Active low.
DDR_DQ[15:0]	I/O		SDRAM data bus.
DDR_LDM DDR_UDM	O		SDRAM data mask outputs. DDR_LDM and DDR_UDM are mask signals for data written to the SDRAM. DDR_LDM corresponds to data on DDR_DQ[7:0], and DDR_UDM corresponds to data on DDR_DQ[15:8].
DDR_LDQS DDR_LDQSn DDR_UDQS DDR_UDQSn		I/O, DIFF, TD	SDRAM differential data strobes. Bidirectional differential signal that follows data direction. Used by SDRAM to capture data on write operations. Edge-aligned with data from SDRAM during read operations and used by the device to capture data. DDR_LDQS corresponds to data on DDR_DQ[7:0], and DDR_UDQS corresponds to data on DDR_DQ[15:8].
DDR_nRAS DDR_nCAS DDR_nWE	O		SDRAM command outputs. DDR_nRAS, DDR_nCAS, and DDR_nWE (along with DDR_nCS) define the command being entered.
DDR_ODT[1:0]	O	O	Control signals for the attached DDR3/DDR3L SDRAM devices on-die termination.
DDR_Rext		ABIAS	External DDR impedance calibration. Connect the pin through an external 240 Ω \pm 1% resistor to ground.
DDR_Vref		ABIAS	Input reference voltage. Provides the input switching reference voltage to the SSTL DDR signals.

7.2.2 General-Purpose Inputs and Outputs

The following table lists the general-purpose I/O (GPIO) pins. Leave GPIO pins unconnected when not in use.

Many of the GPIO pins serve multiple functions. For more information about the overlaid functions and how to configure them, [GPIO Overlaid Functions](#), page 354.

Table 351 • GPIO Pins

Name	Type	Description
GPIO_[63:0]	I/O, PU, ST, 3V	General-purpose inputs and outputs.

7.2.3 JTAG Interface

The following table lists the pins associated with the JTAG interface. The JTAG interface can be connected to the boundary scan TAP controller or the internal VCore-III TAP controller for software debug as described under the JTAG_ICE_nEN signal.

The JTAG signals are not 5 V tolerant.

Table 352 • JTAG Interface Pins

Name	I/O	Type	Description
JTAG_ICE_nEN	I	PU, ST, 3V	0: Enables VCore-III debug interface over the JTAG interface. 1: Enables normal JTAG I/O over the JTAG interface.
JTAG_nTRST	I	PU, ST, 3V	JTAG test reset, active low. For normal device operation, JTAG_nTRST should be pulled low.
JTAG_TCK	I	ST, 3V	JTAG clock.
JTAG_TDI	I	PU, ST, 3V	JTAG test data in.
JTAG_TDO	O	OZ, 3V	JTAG test data out.
JTAG_TMS	I	PU, ST, 3V	JTAG test mode select.

7.2.4 MII Management Interface

The following table lists the pins associated with the MII Management interface.

Table 353 • MII Management Interface Pins

Name	I/O	Type	Description
MDC0	I/O	3V	Management data clock. MDC0 is sourced by the station management entity (the device) to the PHY as the timing reference for transfer of information on the MDIO0 signal. MDC0 is an aperiodic signal.
MDIO0	I/O	PU, 3V	Management data input/output. MDIO0 is a bidirectional signal between a PHY and the device, used to transfer control and status information. Control information is driven by the device synchronously with respect to MDC0 and is sampled synchronously by the PHY. Status information is driven by the PHY synchronously with respect to MDC0 and is sampled synchronously by the device.

7.2.5 Miscellaneous

The following table lists the pins associated with a particular interface or facility on the device.

Table 354 • Miscellaneous Pins

Name	I/O	Type	Description
nRESET	I	PU, ST, 3V	Global device reset, active low.
RESERVED_0		Analog	Tie to V _{SS} .
RESERVED_4		Power	
RESERVED_1		Analog	Leave floating.
RESERVED_[3:2]	O	SSTL	Leave floating.
RESERVED_[6:5]	O	LVDS	Leave floating.
RESERVED_[14:11]			
RESERVED_[22:19]			
RESERVED_[30:27]			
RESERVED_[36:35]			
RESERVED_[38:37]	O	CML	Leave floating.
RESERVED_[46:43]			
RESERVED_[52:51]			
RESERVED_[79:78]			
RESERVED_[87:84]			
RESERVED_[95:92]			
RESERVED_[103:100]			
RESERVED_[109:108]			
RESERVED_[10:7]	I	LVDS	Tie to V _{DD_A} .
RESERVED_[18:15]			
RESERVED_[26:23]			
RESERVED_[34:31]			
RESERVED_[42:39]	I	CML	Tie to V _{DD_A} .
RESERVED_[50:47]			
RESERVED_[83:80]			
RESERVED_[91:88]			
RESERVED_[99:96]			
RESERVED_[107:104]			
NC_[9:1]			Do not connect. Leave floating.
SERDES_Rext_[1:0]		Analog	Analog bias calibration. Connect an external 620 Ω ±1% resistor between SERDES_Rext_1 and SERDES_Rext_0.
THERMDA		Analog	Thermal diode anode (p-junction).
THERMDC		Analog	Thermal diode cathode (n-junction). Connected on-die to V _{SS} .

7.2.6 PCI Express Interface

The following table lists the pins associated with the PCI Express (PCIe) pins.

Table 355 • PCI Express Interface Pins

Name	I/O	Type	Description
PCIE_RXN	I	CML, TD	Differential PCIe data inputs.
PCIE_RXP			

Table 355 • PCI Express Interface Pins (continued)

Name	I/O	Type	Description
PCIE_TXN	O	CML	Differential PCIe data outputs.
PCIE_TXP			

7.2.7 Power Supplies and Ground

The following table lists the power supply and ground pins.

Table 356 • Power Supply and Ground Pins

Name	Type	Description
VDD_[65:1]	Power	1.0 V power supply voltage for core
VDD_A_[18:1]	Power	1.0 V power supply voltage for analog circuits
VDD_HS_[8:1]	Power	1.0 V or 1.2 V power supply for SERDES10G, ports 33 – 36
VDD_IO_[22:1]	Power	3.3 V power supply for GPIOs and miscellaneous I/Os
VDD_IODDR_[14:1]	Power	1.35 V or 1.5 V power supply for DDR3/DDR3L interface
VDD_IOMIIM0	Power	2.5 V or 3.3 V power supply for MIIM interface
VDD_ref25_[2:0]	Power	2.5 V reference supply for SerDes and PLLs
VDD_S_[8:1]	Power	1.0 V or 1.2 V power supply voltage for SERDES1G, ports 0 – 8
VDD_V1_[14:1]	Power	1.0 V or 1.2 V power supply for SERDES6G ports, 9 – 24
VDD_V2_[8:1]	Power	1.0 V or 1.2 V power supply for SERDES6G ports, 25 – 32 and PCIe
VSS_[192:1]	Ground	Ground reference

7.2.8 SERDES1G

The following table lists the pins that use the SERDES1G differential macro. For information about the protocols and data rates supported by the SERDES1G macro, see [Supported Port Interfaces](#), page 27.

Table 357 • SERDES1G Pins

Name	I/O	Type	Description
S0_RXN	I	LVDS, TD	Differential 1G NPI data inputs.
S0_RXP			
S0_TXN	O	LVDS	Differential 1G NPI data outputs.
S0_TXP			

7.2.9 SERDES6G

The following table lists the pins that use the SERDES6G differential macro. The port numbers for QSGMII, XAUI, and RXAUI is represented by *n*. For information about the protocols and data rates supported by the SERDES6G macro, see [Supported Port Interfaces](#), page 27.

Table 358 • SERDES6G Pins

Name	I/O	Type	Description
S13_RXN	I	CML, TD	Differential data inputs.
S13_RXP			QSGMII0/1G
S13_TXN	O	CML	Differential data outputs.
S13_TXP			QSGMII0/1G

Table 358 • SERDES6G Pins (continued)

Name	I/O	Type	Description
S14_RXN S14_RXP	I	CML, TD	Differential data inputs. QSGMII1/1G
S14_TXN S14_TXP	O	CML	Differential data outputs. QSGMII1/1G
S15_RXN S15_RXP	I	CML, TD	Differential data inputs. QSGMII2/1G
S15_TXN S15_TXP	O	CML	Differential data outputs. QSGMII2/1G
S16_RXN S16_RXP	I	CML, TD	Differential data inputs. QSGMII3/1G
S16_TXN S16_TXP	O	CML	Differential data outputs. QSGMII3/1G
S17_RXN S17_RXP	I	CML, TD	Differential data inputs. QSGMII4/1G
S17_TXN S17_TXP	O	CML	Differential data outputs. QSGMII4/1G
S18_RXN S18_RXP	I	CML, TD	Differential data inputs. QSGMII5/1G
S18_TXN S18_TXP	O	CML	Differential data outputs. QSGMII5/1G
S19_RXN S19_RXP	I	CML, TD	Differential data inputs. QSGMII6/1G
S19_TXN S19_TXP	O	CML	Differential data outputs. QSGMII6/1G
S20_RXN S20_RXP	I	CML, TD	Differential data inputs. QSGMII7/1G
S20_TXN S20_TXP	O	CML	Differential data outputs. QSGMII7/1G
S21_RXN S21_RXP	I	CML, TD	Differential data inputs. QSGMII8/1G
S21_TXN S21_TXP	O	CML	Differential data outputs. QSGMII8/1G
S22_RXN S22_RXP	I	CML, TD	Differential data inputs. QSGMII9/1G
S22_TXN S22_TXP	O	CML	Differential data outputs. QSGMII9/1G
S23_RXN S23_RXP	I	CML, TD	Differential data inputs. QSGMII10/1G
S23_TXN S23_TXP	O	CML	Differential data outputs. QSGMII10/1G
S24_RXN S24_RXP	I	CML, TD	Differential data inputs. QSGMII11/1G
S24_TXN S24_TXP	O	CML	Differential data outputs. QSGMII11/1G

7.2.10 SERDES10G

The following table lists the pins that use the SERDES10G differential macro. The VSC7442-02 device supports only up to 1 Gbps. For information about the protocols and data rates supported by the SERDES10G macro, see [Supported Port Interfaces](#), page 27.

Table 359 • SERDES10G Pins

Name	I/O	Type	Description
S[36:33]_RXN S[36:33]_RXP	I	CML, TD	Differential 1G data inputs.
S[36:33]_TXN S[36:33]_TXP	O	CML	Differential 1G data outputs.

7.2.11 Serial CPU Interface

The serial CPU interface (SI) can be used as a serial slave, master, or boot interface.

As a slave interface, it allows external CPUs to access internal registers. As a master interface, it allows the device to access external devices using a programmable protocol. The serial CPU interface also allows the internal VCore-III CPU system to boot from an attached serial memory device when the VCore_CFG signals are set appropriately.

The following table lists the pins associated with the serial CPU interface.

Table 360 • Serial CPU Interface Pins

Name	I/O	Type	Description
SI_CLK	I/O	PU, ST, 3V, LVCMOS	Slave mode: Input receiving serial interface clock from external master. Master mode: Output driven with clock to external device. Boot mode: Output driven with clock to external serial memory device.
SI_DI	I	PU, ST, 3V, LVCMOS	Slave mode: Input receiving serial interface data from external master. Master mode: Input data from external device. Boot mode: Input boot data from external serial memory device.
SI_DO	O	OZ, PU, 3V, LVCMOS	Slave mode: Output transmitting serial interface data to external master. Master mode: Output data to external device. Boot mode: Output boot control data to external serial memory device.
SI_nCS0	I/O	PU, ST, 3V, LVCMOS	Slave mode: Input used to enable SI slave interface. 0 = Enabled 1 = Disabled Master mode: Output driven low while accessing external device. Boot mode: Output driven low while booting from EEPROM or serial flash to internal VCore-III CPU system. Released when booting is completed.

7.2.12 System Clock Interface

The following table lists the pins associated with the system clock interface.

Table 361 • System Clock Interface Pins

Name	I/O	Type	Description
CLKOUT2_N CLKOUT2_P	O	LVDS	PLL2 clock output. Leave floating if not used.
HS_TST_N HS_TST_P	O	LVDS	PLL test output. Connect to test point.

Table 361 • System Clock Interface Pins (continued)

Name	I/O	Type	Description
RCVRD_CLK[3:0]		OZ, LVCMOS	The output clock frequency can be between 25 MHz and 161 MHz, based on the selected active recovered media programmed for this pin and the divider configuration. These pins are not active when nRESET is asserted. Clock outputs can be enabled or disabled from registers. When disabled, the pin is held low.
REFCLK2_EN	I	PD, LVCMOS	Reference clock frequency enable.
REFCLK_SEL[2:0] REFCLK2_SEL[2:0]	I	PD, 3V, LVCMOS	Reference clock frequency selection. 0: Connect to pull-down or leave floating. 1: Connect to pull-up to V _{DD_IO33} . Coding: 000: 125 MHz (default). 001: 156.25 MHz. 010: 250 MHz. 011: Reserved. 100: 25 MHz (REFCLK2_SEL[2:0] only). 101: Reserved. 110: Reserved. 111: Reserved.
REFCLK_N REFCLK_P REFCLK2_N REFCLK2_P	I	LVDS, TD, LVCMOS	Reference clock inputs. The inputs can be either differential or single-ended. In differential mode (LVDS), REFCLK_P/REFCLK2_P is the true part of the differential signal, and REFCLK_N/REFCLK2_N is the complement part of the differential signal. In single-ended mode (LVCMOS), REFCLK_P/REFCLK2_P is used as single-ended LVTTTL input. REFCLK_N/REFCLK2_N should be left floating, and the PLL registers must be configured for single-ended operation. Required applied frequency depends on REFCLK_SEL[2:0] and REFCLK2_SEL[2:0] input state.

7.3 Pins by Number for VSC7442-02

This section provides a numeric list of the VSC7442-02 pins.

A2	GPIO_48	AA15	VDD_V1_7	AC1	MDC0
A3	GPIO_41	AA16	VDD_V1_8	AC2	VDD_IOMIIM0
A4	GPIO_43	AA17	VSS_176	AC3	RESERVED_6
A5	GPIO_45	AA18	VDD_V1_9	AC4	RESERVED_12
A6	GPIO_47	AA19	VDD_V1_10	AC5	RESERVED_14
A7	GPIO_36	AA20	VDD_ref25_2	AC6	RESERVED_20
A8	GPIO_35	AA21	VSS_177	AC7	RESERVED_22
A9	GPIO_20	AA22	S33_TXP	AC8	RESERVED_28
A10	GPIO_0	AA23	S33_TXN	AC9	RESERVED_30
A11	GPIO_4	AA24	VSS_178	AC10	RESERVED_36
A12	GPIO_8	AA25	RESERVED_4	AC11	RESERVED_38
A13	GPIO_10	AA26	VSS_179	AC12	RESERVED_44
A14	GPIO_14	AB1	MDIO0	AC13	RESERVED_46
A15	SI_CLK	AB2	DDR_Vref	AC14	RESERVED_52
A16	SI_DI	AB3	SERDES_Rext_1	AC15	S13_TXP
A17	JTAG_ICE_nEN	AB4	SERDES_Rext_0	AC16	S14_TXP
A18	THERMDA	AB5	VSS_180	AC17	S15_TXP
A19	nRESET	AB6	VSS_181	AC18	S16_TXP
A20	GPIO_57	AB7	VSS_182	AC19	S17_TXP
A21	GPIO_59	AB8	VDD_S_5	AC20	S18_TXP
A22	CLKOUT2_P	AB9	VDD_S_6	AC21	S19_TXP
A23	CLKOUT2_N	AB10	VSS_183	AC22	S20_TXP
A24	REFCLK2_P	AB11	VDD_S_7	AC23	S21_TXP
A25	REFCLK2_N	AB12	VDD_S_8	AC24	S22_TXP
AA1	DDR_nCS1	AB13	VSS_184	AC25	S23_TXP
AA2	NC_6	AB14	VSS_185	AC26	S24_TXN
AA3	NC_7	AB15	VDD_V1_11	AD1	S0_TXN
AA4	VSS_169	AB16	VDD_V1_12	AD2	S0_TXP
AA5	VSS_170	AB17	VSS_186	AD3	RESERVED_5
AA6	VSS_171	AB18	VDD_V1_13	AD4	RESERVED_11
AA7	VSS_172	AB19	VDD_V1_14	AD5	RESERVED_13
AA8	VDD_S_1	AB20	VSS_187	AD6	RESERVED_19
AA9	VDD_S_2	AB21	VSS_188	AD7	RESERVED_21
AA10	VSS_173	AB22	VSS_189	AD8	RESERVED_27
AA11	VDD_S_3	AB23	VSS_190	AD9	RESERVED_29
AA12	VDD_S_4	AB24	VSS_191	AD10	RESERVED_35
AA13	VSS_174	AB25	VSS_192	AD11	RESERVED_37
AA14	VSS_175	AB26	S24_TXP	AD12	RESERVED_43

Pins by number (continued)

AD13	RESERVED_45	AF3	RESERVED_7	B19	NC_1
AD14	RESERVED_51	AF4	RESERVED_9	B20	GPIO_56
AD15	S13_TXN	AF5	RESERVED_15	B21	GPIO_58
AD16	S14_TXN	AF6	RESERVED_17	B22	PCIE_TXP
AD17	S15_TXN	AF7	RESERVED_23	B23	PCIE_TXN
AD18	S16_TXN	AF8	RESERVED_25	B24	NC_9
AD19	S17_TXN	AF9	RESERVED_31	B25	PCIE_RXP
AD20	S18_TXN	AF10	RESERVED_33	B26	PCIE_RXN
AD21	S19_TXN	AF11	RESERVED_39	C1	GPIO_51
AD22	S20_TXN	AF12	RESERVED_42	C2	GPIO_52
AD23	S21_TXN	AF13	RESERVED_47	C3	GPIO_33
AD24	S22_TXN	AF14	RESERVED_50	C4	GPIO_30
AD25	S23_TXN	AF15	S13_RXN	C5	GPIO_28
AD26	S24_RXP	AF16	S14_RXN	C6	GPIO_26
AE1	S0_RXN	AF17	S15_RXN	C7	GPIO_24
AE2	S0_RXP	AF18	S16_RXN	C8	GPIO_37
AE3	RESERVED_8	AF19	S17_RXN	C9	GPIO_22
AE4	RESERVED_10	AF20	S18_RXN	C10	GPIO_2
AE5	RESERVED_16	AF21	S19_RXN	C11	GPIO_6
AE6	RESERVED_18	AF22	S20_RXN	C12	GPIO_12
AE7	RESERVED_24	AF23	S21_RXN	C13	RESERVED_0
AE8	RESERVED_26	AF24	S22_RXN	C14	VDD_1
AE9	RESERVED_32	AF25	S23_RXN	C15	GPIO_17
AE10	RESERVED_34	B1	GPIO_50	C16	REFCLK_SEL1
AE11	RESERVED_40	B2	GPIO_49	C17	REFCLK_SEL2
AE12	RESERVED_41	B3	GPIO_32	C18	NC_2
AE13	RESERVED_48	B4	GPIO_40	C19	GPIO_63
AE14	RESERVED_49	B5	GPIO_42	C20	GPIO_61
AE15	S13_RXP	B6	GPIO_44	C21	RCVRD_CLK2
AE16	S14_RXP	B7	GPIO_46	C22	RCVRD_CLK0
AE17	S15_RXP	B8	GPIO_34	C23	RCVRD_CLK1
AE18	S16_RXP	B9	GPIO_21	C24	JTAG_TDI
AE19	S17_RXP	B10	GPIO_1	C25	JTAG_TDO
AE20	S18_RXP	B11	GPIO_5	C26	JTAG_TCK
AE21	S19_RXP	B12	GPIO_9	D1	GPIO_53
AE22	S20_RXP	B13	GPIO_11	D2	GPIO_54
AE23	S21_RXP	B14	GPIO_15	D3	GPIO_55
AE24	S22_RXP	B15	SI_DO	D4	GPIO_31
AE25	S23_RXP	B16	SI_nCS0	D5	GPIO_29
AE26	S24_RXN	B17	NC_3	D6	GPIO_27
AF2	NC_8	B18	THERMDC	D7	GPIO_25

Pins by number (continued)

D8	GPIO_19	E23	RESERVED_108	G12	VDD_5
D9	GPIO_23	E24	VSS_12	G13	VSS_27
D10	GPIO_3	E25	RESERVED_105	G14	VSS_28
D11	GPIO_7	E26	RESERVED_104	G15	VDD_6
D12	GPIO_13	F1	RESERVED_3	G16	VDD_7
D13	VSS_1	F2	RESERVED_2	G17	VSS_29
D14	VSS_2	F3	RESERVED_1	G18	VDD_8
D15	GPIO_18	F4	VSS_13	G19	VDD_9
D16	GPIO_16	F5	VSS_14	G20	VDD_V2_1
D17	REFCLK_SEL0	F6	VSS_15	G21	VDD_V2_2
D18	RCVRD_CLK3	F7	VSS_16	G22	RESERVED_101
D19	GPIO_62	F8	VDD_IO_11	G23	RESERVED_100
D20	GPIO_60	F9	VDD_IO_12	G24	VSS_30
D21	VDD_IO_1	F10	VSS_17	G25	RESERVED_97
D22	JTAG_TMS	F11	VDD_IO_13	G26	RESERVED_96
D23	JTAG_nTRST	F12	VDD_IO_14	H1	DDR_nCS0
D24	VSS_3	F13	VSS_18	H2	NC_5
D25	RESERVED_106	F14	VSS_19	H3	GPIO_38
D26	RESERVED_107	F15	VDD_IO_15	H4	GPIO_39
E1	REFCLK2_EN	F16	VDD_IO_16	H5	VDD_IO_21
E2	REFCLK2_SEL2	F17	VSS_20	H6	VDD_IO_22
E3	REFCLK2_SEL1	F18	VSS_21	H7	VSS_31
E4	REFCLK2_SEL0	F19	VSS_22	H8	VDD_10
E5	VSS_4	F20	VDD_IO_17	H9	VDD_11
E6	VDD_IO_2	F21	VDD_IO_18	H10	VSS_32
E7	VSS_5	F22	RESERVED_103	H11	VDD_12
E8	VDD_IO_3	F23	RESERVED_102	H12	VDD_13
E9	VDD_IO_4	F24	VSS_23	H13	VSS_33
E10	VSS_6	F25	RESERVED_98	H14	VSS_34
E11	VDD_IO_5	F26	RESERVED_99	H15	VDD_14
E12	VDD_IO_6	G1	DDR_A15	H16	VDD_15
E13	VSS_7	G2	DDR_A14	H17	VSS_35
E14	VSS_8	G3	NC_4	H18	VDD_16
E15	VDD_IO_7	G4	VSS_24	H19	VDD_17
E16	VDD_IO_8	G5	VDD_IO_19	H20	VDD_V2_3
E17	VSS_9	G6	VDD_IO_20	H21	VDD_V2_4
E18	VSS_10	G7	VSS_25	H22	RESERVED_95
E19	VSS_11	G8	VDD_2	H23	RESERVED_94
E20	VDD_IO_9	G9	VDD_3	H24	VSS_36
E21	VDD_IO_10	G10	VSS_26	H25	RESERVED_90
E22	RESERVED_109	G11	VDD_4	H26	RESERVED_91

Pins by number (continued)

J1	DDR_LDQS
J2	DDR_LDQSn
J3	DDR_LDM
J4	DDR_DQ6
J5	VSS_37
J6	VSS_38
J7	VSS_39
J8	VSS_40
J9	VSS_41
J10	VSS_42
J11	VSS_43
J12	VSS_44
J13	VSS_45
J14	VSS_46
J15	VSS_47
J16	VSS_48
J17	VSS_49
J18	VSS_50
J19	VSS_51
J20	VSS_52
J21	VSS_53
J22	RESERVED_93
J23	RESERVED_92
J24	VSS_54
J25	RESERVED_89
J26	RESERVED_88
K1	DDR_DQ0
K2	DDR_DQ7
K3	DDR_DQ3
K4	DDR_DQ1
K5	VDD_IODDR_1
K6	VDD_IODDR_2
K7	VSS_55
K8	VDD_18
K9	VDD_19
K10	VSS_56
K11	VDD_20
K12	VDD_21
K13	VSS_57
K14	VSS_58
K15	VDD_22
K16	VDD_23
K17	VSS_59
K18	VDD_24
K19	VDD_25
K20	VDD_V2_5
K21	VDD_V2_6
K22	RESERVED_87
K23	RESERVED_86
K24	VSS_60
K25	RESERVED_82
K26	RESERVED_83
L1	DDR_DQ5
L2	DDR_DQ2
L3	DDR_nRAS
L4	DDR_DQ4
L5	VDD_IODDR_3
L6	VDD_IODDR_4
L7	VSS_61
L8	VDD_26
L9	VDD_27
L10	VSS_62
L11	VDD_28
L12	VDD_29
L13	VSS_63
L14	VSS_64
L15	VDD_30
L16	VDD_31
L17	VSS_65
L18	VDD_32
L19	VDD_33
L20	VDD_V2_7
L21	VDD_V2_8
L22	RESERVED_85
L23	RESERVED_84
L24	VSS_66
L25	RESERVED_81
L26	RESERVED_80
M1	DDR_A0
M2	DDR_ODT0
M3	DDR_A2
M4	DDR_nCAS
M5	VSS_67
M6	VSS_68
M7	VSS_69
M8	VSS_70
M9	VSS_71
M10	VSS_72
M11	VSS_73
M12	VSS_74
M13	VSS_75
M14	VSS_76
M15	VSS_77
M16	VSS_78
M17	VSS_79
M18	VSS_80
M19	VSS_81
M20	VSS_82
M21	VSS_83
M22	RESERVED_79
M23	RESERVED_78
M24	VSS_84
M25	REFCLK_P
M26	REFCLK_N
N1	DDR_A8
N2	DDR_A4
N3	DDR_nWE
N4	DDR_A6
N5	VSS_85
N6	VSS_86
N7	VSS_87
N8	VSS_88
N9	VSS_89
N10	VSS_90
N11	VSS_91
N12	VSS_92
N13	VSS_93
N14	VSS_94
N15	VSS_95
N16	VSS_96
N17	VSS_97
N18	VSS_98
N19	VSS_99

Pins by number (continued)

N20	VSS_100	R9	VDD_43	T24	VSS_136
N21	VSS_101	R10	VSS_111	T25	S35_RXP
N22	HS_TST_P	R11	VDD_44	T26	S35_RXN
N23	HS_TST_N	R12	VDD_45	U1	DDR_BA0
N24	VSS_102	R13	VSS_113	U2	DDR_BA2
N25	VSS_103	R14	VSS_114	U3	DDR_CKE
N26	VSS_104	R15	VDD_46	U4	DDR_ODT1
P1	DDR_CK _n	R16	VDD_47	U5	VDD_IODDR_9
P2	DDR_CK	R17	VSS_115	U6	VDD_IODDR_10
P3	DDR_A11	R18	VDD_48	U7	VSS_137
P4	DDR_A13	R19	VDD_49	U8	VDD_50
P5	VDD_IODDR_5	R20	VDD_V1_3	U9	VDD_51
P6	VDD_IODDR_6	R21	VDD_V1_4	U10	VSS_138
P7	VSS_105	R22	S36_TXP	U11	VDD_52
P8	VDD_34	R23	S36_TXN	U12	VDD_53
P9	VDD_35	R24	VSS_116	U13	VSS_139
P10	VSS_106	R25	VSS_117	U14	VSS_140
P11	VDD_36	R26	VSS_118	U15	VDD_54
P12	VDD_37	T1	DDR_A3	U16	VDD_55
P13	VSS_107	T2	DDR_A10	U17	VSS_141
P14	VSS_108	T3	DDR_A1	U18	VDD_56
P15	VDD_38	T4	DDR_BA1	U19	VDD_57
P16	VDD_39	T5	VSS_119	U20	VDD_A_1
P17	VSS_109	T6	VSS_120	U21	VDD_V1_5
P18	VDD_40	T7	VSS_121	U22	S35_TXP
P19	VDD_41	T8	VSS_122	U23	S35_TXN
P20	VDD_V1_1	T9	VSS_123	U24	VSS_142
P21	VDD_V1_2	T10	VSS_124	U25	VSS_143
P22	VDD_HS_1	T11	VSS_125	U26	VSS_144
P23	VDD_HS_2	T12	VSS_126	V1	DDR_DQ12
P24	VSS_110	T13	VSS_127	V2	DDR_DQ11
P25	S36_RXP	T14	VSS_128	V3	DDR_DQ10
P26	S36_RXN	T15	VSS_129	V4	DDR_DQ13
R1	DDR_A12	T16	VSS_130	V5	VDD_IODDR_11
R2	DDR_A7	T17	VSS_131	V6	VDD_IODDR_12
R3	DDR_A9	T18	VSS_132	V7	VSS_145
R4	DDR_A5	T19	VSS_133	V8	VDD_58
R5	VDD_IODDR_7	T20	VSS_134	V9	VDD_59
R6	VDD_IODDR_8	T21	VSS_135	V10	VSS_146
R7	VSS_112	T22	VDD_HS_3	V11	VDD_60
R8	VDD_42	T23	VDD_HS_4	V12	VDD_61

Pins by number (continued)

V13	VSS_147	Y2	DDR_UDM
V14	VSS_148	Y3	DDR_UDQS
V15	VDD_62	Y4	DDR_UDQSn
V16	VDD_63	Y5	VDD_IODDR_13
V17	VSS_149	Y6	VDD_IODDR_14
V18	VDD_64	Y7	VSS_162
V19	VDD_65	Y8	VDD_A_11
V20	VDD_A_2	Y9	VDD_A_12
V21	VDD_V1_6	Y10	VSS_163
V22	VDD_HS_5	Y11	VDD_A_13
V23	VDD_HS_6	Y12	VDD_A_14
V24	VSS_150	Y13	VSS_164
V25	S34_RXP	Y14	VSS_165
V26	S34_RXN	Y15	VDD_A_15
W1	DDR_DQ9	Y16	VDD_A_16
W2	DDR_DQ14	Y17	VSS_166
W3	DDR_DQ8	Y18	VDD_A_17
W4	DDR_DQ15	Y19	VDD_A_18
W5	VSS_151	Y20	VDD_ref25_1
W6	VSS_152	Y21	VSS_167
W7	VSS_153	Y22	VDD_HS_7
W8	VDD_A_3	Y23	VDD_HS_8
W9	VDD_A_4	Y24	VSS_168
W10	VSS_154	Y25	S33_RXP
W11	VDD_A_5	Y26	S33_RXN
W12	VDD_A_6		
W13	VSS_155		
W14	VSS_156		
W15	VDD_A_7		
W16	VDD_A_8		
W17	VSS_157		
W18	VDD_A_9		
W19	VDD_A_10		
W20	VDD_ref25_0		
W21	VSS_158		
W22	S34_TXP		
W23	S34_TXN		
W24	VSS_159		
W25	VSS_160		
W26	VSS_161		
Y1	DDR_Rext		

7.4 Pins by Name for VSC7442-02

This section provides an alphabetic list of the VSC7442-02 pins.

CLKOUT2_N	A23	DDR_DQ14	W2	GPIO_21	B9
CLKOUT2_P	A22	DDR_DQ15	W4	GPIO_22	C9
DDR_A0	M1	DDR_LDM	J3	GPIO_23	D9
DDR_A1	T3	DDR_LDQS	J1	GPIO_24	C7
DDR_A2	M3	DDR_LDQSn	J2	GPIO_25	D7
DDR_A3	T1	DDR_nCAS	M4	GPIO_26	C6
DDR_A4	N2	DDR_nCS0	H1	GPIO_27	D6
DDR_A5	R4	DDR_nCS1	AA1	GPIO_28	C5
DDR_A6	N4	DDR_nRAS	L3	GPIO_29	D5
DDR_A7	R2	DDR_nWE	N3	GPIO_30	C4
DDR_A8	N1	DDR_ODT0	M2	GPIO_31	D4
DDR_A9	R3	DDR_ODT1	U4	GPIO_32	B3
DDR_A10	T2	DDR_Rext	Y1	GPIO_33	C3
DDR_A11	P3	DDR_UDM	Y2	GPIO_34	B8
DDR_A12	R1	DDR_UDQS	Y3	GPIO_35	A8
DDR_A13	P4	DDR_UDQSn	Y4	GPIO_36	A7
DDR_A14	G2	DDR_Vref	AB2	GPIO_37	C8
DDR_A15	G1	GPIO_0	A10	GPIO_38	H3
DDR_BA0	U1	GPIO_1	B10	GPIO_39	H4
DDR_BA1	T4	GPIO_2	C10	GPIO_40	B4
DDR_BA2	U2	GPIO_3	D10	GPIO_41	A3
DDR_CK	P2	GPIO_4	A11	GPIO_42	B5
DDR_CKE	U3	GPIO_5	B11	GPIO_43	A4
DDR_CKn	P1	GPIO_6	C11	GPIO_44	B6
DDR_DQ0	K1	GPIO_7	D11	GPIO_45	A5
DDR_DQ1	K4	GPIO_8	A12	GPIO_46	B7
DDR_DQ2	L2	GPIO_9	B12	GPIO_47	A6
DDR_DQ3	K3	GPIO_10	A13	GPIO_48	A2
DDR_DQ4	L4	GPIO_11	B13	GPIO_49	B2
DDR_DQ5	L1	GPIO_12	C12	GPIO_50	B1
DDR_DQ6	J4	GPIO_13	D12	GPIO_51	C1
DDR_DQ7	K2	GPIO_14	A14	GPIO_52	C2
DDR_DQ8	W3	GPIO_15	B14	GPIO_53	D1
DDR_DQ9	W1	GPIO_16	D16	GPIO_54	D2
DDR_DQ10	V3	GPIO_17	C15	GPIO_55	D3
DDR_DQ11	V2	GPIO_18	D15	GPIO_56	B20
DDR_DQ12	V1	GPIO_19	D8	GPIO_57	A20
DDR_DQ13	V4	GPIO_20	A9	GPIO_58	B21

Pins by name (continued)

GPIO_59	A21	REFCLK2_SEL0	E4	RESERVED_38	AC11
GPIO_60	D20	REFCLK2_SEL1	E3	RESERVED_39	AF11
GPIO_61	C20	REFCLK2_SEL2	E2	RESERVED_40	AE11
GPIO_62	D19	RESERVED_0	C13	RESERVED_41	AE12
GPIO_63	C19	RESERVED_1	F3	RESERVED_42	AF12
HS_TST_N	N23	RESERVED_2	F2	RESERVED_43	AD12
HS_TST_P	N22	RESERVED_3	F1	RESERVED_44	AC12
JTAG_ICE_nEN	A17	RESERVED_4	AA25	RESERVED_45	AD13
JTAG_nTRST	D23	RESERVED_5	AD3	RESERVED_46	AC13
JTAG_TCK	C26	RESERVED_6	AC3	RESERVED_47	AF13
JTAG_TDI	C24	RESERVED_7	AF3	RESERVED_48	AE13
JTAG_TDO	C25	RESERVED_8	AE3	RESERVED_49	AE14
JTAG_TMS	D22	RESERVED_9	AF4	RESERVED_50	AF14
MDC0	AC1	RESERVED_10	AE4	RESERVED_51	AD14
MDIO0	AB1	RESERVED_11	AD4	RESERVED_52	AC14
NC_1	B19	RESERVED_12	AC4	RESERVED_78	M23
NC_2	C18	RESERVED_13	AD5	RESERVED_79	M22
NC_3	B17	RESERVED_14	AC5	RESERVED_80	L26
NC_4	G3	RESERVED_15	AF5	RESERVED_81	L25
NC_5	H2	RESERVED_16	AE5	RESERVED_82	K25
NC_6	AA2	RESERVED_17	AF6	RESERVED_83	K26
NC_7	AA3	RESERVED_18	AE6	RESERVED_84	L23
NC_8	AF2	RESERVED_19	AD6	RESERVED_85	L22
NC_9	B24	RESERVED_20	AC6	RESERVED_86	K23
nRESET	A19	RESERVED_21	AD7	RESERVED_87	K22
PCIE_RXN	B26	RESERVED_22	AC7	RESERVED_88	J26
PCIE_RXP	B25	RESERVED_23	AF7	RESERVED_89	J25
PCIE_TXN	B23	RESERVED_24	AE7	RESERVED_90	H25
PCIE_TXP	B22	RESERVED_25	AF8	RESERVED_91	H26
RCVRD_CLK0	C22	RESERVED_26	AE8	RESERVED_92	J23
RCVRD_CLK1	C23	RESERVED_27	AD8	RESERVED_93	J22
RCVRD_CLK2	C21	RESERVED_28	AC8	RESERVED_94	H23
RCVRD_CLK3	D18	RESERVED_29	AD9	RESERVED_95	H22
REFCLK_N	M26	RESERVED_30	AC9	RESERVED_96	G26
REFCLK_P	M25	RESERVED_31	AF9	RESERVED_97	G25
REFCLK_SEL0	D17	RESERVED_32	AE9	RESERVED_98	F25
REFCLK_SEL1	C16	RESERVED_33	AF10	RESERVED_99	F26
REFCLK_SEL2	C17	RESERVED_34	AE10	RESERVED_100	G23
REFCLK2_EN	E1	RESERVED_35	AD10	RESERVED_101	G22
REFCLK2_N	A25	RESERVED_36	AC10	RESERVED_102	F23
REFCLK2_P	A24	RESERVED_37	AD11	RESERVED_103	F22

Pins by name (continued)

RESERVED_104	E26	S20_TXP	AC22	VDD_1	C14
RESERVED_105	E25	S21_RXN	AF23	VDD_2	G8
RESERVED_106	D25	S21_RXP	AE23	VDD_3	G9
RESERVED_107	D26	S21_TXN	AD23	VDD_4	G11
RESERVED_108	E23	S21_TXP	AC23	VDD_5	G12
RESERVED_109	E22	S22_RXN	AF24	VDD_6	G15
S0_RXN	AE1	S22_RXP	AE24	VDD_7	G16
S0_RXP	AE2	S22_TXN	AD24	VDD_8	G18
S0_TXN	AD1	S22_TXP	AC24	VDD_9	G19
S0_TXP	AD2	S23_RXN	AF25	VDD_10	H8
S13_RXN	AF15	S23_RXP	AE25	VDD_11	H9
S13_RXP	AE15	S23_TXN	AD25	VDD_12	H11
S13_TXN	AD15	S23_TXP	AC25	VDD_13	H12
S13_TXP	AC15	S24_RXN	AE26	VDD_14	H15
S14_RXN	AF16	S24_RXP	AD26	VDD_15	H16
S14_RXP	AE16	S24_TXN	AC26	VDD_16	H18
S14_TXN	AD16	S24_TXP	AB26	VDD_17	H19
S14_TXP	AC16	S33_RXN	Y26	VDD_18	K8
S15_RXN	AF17	S33_RXP	Y25	VDD_19	K9
S15_RXP	AE17	S33_TXN	AA23	VDD_20	K11
S15_TXN	AD17	S33_TXP	AA22	VDD_21	K12
S15_TXP	AC17	S34_RXN	V26	VDD_22	K15
S16_RXN	AF18	S34_RXP	V25	VDD_23	K16
S16_RXP	AE18	S34_TXN	W23	VDD_24	K18
S16_TXN	AD18	S34_TXP	W22	VDD_25	K19
S16_TXP	AC18	S35_RXN	T26	VDD_26	L8
S17_RXN	AF19	S35_RXP	T25	VDD_27	L9
S17_RXP	AE19	S35_TXN	U23	VDD_28	L11
S17_TXN	AD19	S35_TXP	U22	VDD_29	L12
S17_TXP	AC19	S36_RXN	P26	VDD_30	L15
S18_RXN	AF20	S36_RXP	P25	VDD_31	L16
S18_RXP	AE20	S36_TXN	R23	VDD_32	L18
S18_TXN	AD20	S36_TXP	R22	VDD_33	L19
S18_TXP	AC20	SERDES_Rext_0	AB4	VDD_34	P8
S19_RXN	AF21	SERDES_Rext_1	AB3	VDD_35	P9
S19_RXP	AE21	SI_CLK	A15	VDD_36	P11
S19_TXN	AD21	SI_DI	A16	VDD_37	P12
S19_TXP	AC21	SI_DO	B15	VDD_38	P15
S20_RXN	AF22	SI_nCS0	B16	VDD_39	P16
S20_RXP	AE22	THERMDA	A18	VDD_40	P18
S20_TXN	AD22	THERMDC	B18	VDD_41	P19

Pins by name (continued)

VDD_42	R8	VDD_A_18	Y19	VDD_IODDR_11	V5
VDD_43	R9	VDD_HS_1	P22	VDD_IODDR_12	V6
VDD_44	R11	VDD_HS_2	P23	VDD_IODDR_13	Y5
VDD_45	R12	VDD_HS_3	T22	VDD_IODDR_14	Y6
VDD_46	R15	VDD_HS_4	T23	VDD_IOMIIM0	AC2
VDD_47	R16	VDD_HS_5	V22	VDD_ref25_0	W20
VDD_48	R18	VDD_HS_6	V23	VDD_ref25_1	Y20
VDD_49	R19	VDD_HS_7	Y22	VDD_ref25_2	AA20
VDD_50	U8	VDD_HS_8	Y23	VDD_S_1	AA8
VDD_51	U9	VDD_IO_1	D21	VDD_S_2	AA9
VDD_52	U11	VDD_IO_2	E6	VDD_S_3	AA11
VDD_53	U12	VDD_IO_3	E8	VDD_S_4	AA12
VDD_54	U15	VDD_IO_4	E9	VDD_S_5	AB8
VDD_55	U16	VDD_IO_5	E11	VDD_S_6	AB9
VDD_56	U18	VDD_IO_6	E12	VDD_S_7	AB11
VDD_57	U19	VDD_IO_7	E15	VDD_S_8	AB12
VDD_58	V8	VDD_IO_8	E16	VDD_V1_1	P20
VDD_59	V9	VDD_IO_9	E20	VDD_V1_2	P21
VDD_60	V11	VDD_IO_10	E21	VDD_V1_3	R20
VDD_61	V12	VDD_IO_11	F8	VDD_V1_4	R21
VDD_62	V15	VDD_IO_12	F9	VDD_V1_5	U21
VDD_63	V16	VDD_IO_13	F11	VDD_V1_6	V21
VDD_64	V18	VDD_IO_14	F12	VDD_V1_7	AA15
VDD_65	V19	VDD_IO_15	F15	VDD_V1_8	AA16
VDD_A_1	U20	VDD_IO_16	F16	VDD_V1_9	AA18
VDD_A_2	V20	VDD_IO_17	F20	VDD_V1_10	AA19
VDD_A_3	W8	VDD_IO_18	F21	VDD_V1_11	AB15
VDD_A_4	W9	VDD_IO_19	G5	VDD_V1_12	AB16
VDD_A_5	W11	VDD_IO_20	G6	VDD_V1_13	AB18
VDD_A_6	W12	VDD_IO_21	H5	VDD_V1_14	AB19
VDD_A_7	W15	VDD_IO_22	H6	VDD_V2_1	G20
VDD_A_8	W16	VDD_IODDR_1	K5	VDD_V2_2	G21
VDD_A_9	W18	VDD_IODDR_2	K6	VDD_V2_3	H20
VDD_A_10	W19	VDD_IODDR_3	L5	VDD_V2_4	H21
VDD_A_11	Y8	VDD_IODDR_4	L6	VDD_V2_5	K20
VDD_A_12	Y9	VDD_IODDR_5	P5	VDD_V2_6	K21
VDD_A_13	Y11	VDD_IODDR_6	P6	VDD_V2_7	L20
VDD_A_14	Y12	VDD_IODDR_7	R5	VDD_V2_8	L21
VDD_A_15	Y15	VDD_IODDR_8	R6	VSS_1	D13
VDD_A_16	Y16	VDD_IODDR_9	U5	VSS_2	D14
VDD_A_17	Y18	VDD_IODDR_10	U6	VSS_3	D24

Pins by name (continued)

VSS_4	E5	VSS_45	J13	VSS_86	N6
VSS_5	E7	VSS_46	J14	VSS_87	N7
VSS_6	E10	VSS_47	J15	VSS_88	N8
VSS_7	E13	VSS_48	J16	VSS_89	N9
VSS_8	E14	VSS_49	J17	VSS_90	N10
VSS_9	E17	VSS_50	J18	VSS_91	N11
VSS_10	E18	VSS_51	J19	VSS_92	N12
VSS_11	E19	VSS_52	J20	VSS_93	N13
VSS_12	E24	VSS_53	J21	VSS_94	N14
VSS_13	F4	VSS_54	J24	VSS_95	N15
VSS_14	F5	VSS_55	K7	VSS_96	N16
VSS_15	F6	VSS_56	K10	VSS_97	N17
VSS_16	F7	VSS_57	K13	VSS_98	N18
VSS_17	F10	VSS_58	K14	VSS_99	N19
VSS_18	F13	VSS_59	K17	VSS_100	N20
VSS_19	F14	VSS_60	K24	VSS_101	N21
VSS_20	F17	VSS_61	L7	VSS_102	N24
VSS_21	F18	VSS_62	L10	VSS_103	N25
VSS_22	F19	VSS_63	L13	VSS_104	N26
VSS_23	F24	VSS_64	L14	VSS_105	P7
VSS_24	G4	VSS_65	L17	VSS_106	P10
VSS_25	G7	VSS_66	L24	VSS_107	P13
VSS_26	G10	VSS_67	M5	VSS_108	P14
VSS_27	G13	VSS_68	M6	VSS_109	P17
VSS_28	G14	VSS_69	M7	VSS_110	P24
VSS_29	G17	VSS_70	M8	VSS_111	R10
VSS_30	G24	VSS_71	M9	VSS_112	R7
VSS_31	H7	VSS_72	M10	VSS_113	R13
VSS_32	H10	VSS_73	M11	VSS_114	R14
VSS_33	H13	VSS_74	M12	VSS_115	R17
VSS_34	H14	VSS_75	M13	VSS_116	R24
VSS_35	H17	VSS_76	M14	VSS_117	R25
VSS_36	H24	VSS_77	M15	VSS_118	R26
VSS_37	J5	VSS_78	M16	VSS_119	T5
VSS_38	J6	VSS_79	M17	VSS_120	T6
VSS_39	J7	VSS_80	M18	VSS_121	T7
VSS_40	J8	VSS_81	M19	VSS_122	T8
VSS_41	J9	VSS_82	M20	VSS_123	T9
VSS_42	J10	VSS_83	M21	VSS_124	T10
VSS_43	J11	VSS_84	M24	VSS_125	T11
VSS_44	J12	VSS_85	N5	VSS_126	T12

Pins by name (continued)

VSS_127	T13	VSS_168	Y24
VSS_128	T14	VSS_169	AA4
VSS_129	T15	VSS_170	AA5
VSS_130	T16	VSS_171	AA6
VSS_131	T17	VSS_172	AA7
VSS_132	T18	VSS_173	AA10
VSS_133	T19	VSS_174	AA13
VSS_134	T20	VSS_175	AA14
VSS_135	T21	VSS_176	AA17
VSS_136	T24	VSS_177	AA21
VSS_137	U7	VSS_178	AA24
VSS_138	U10	VSS_179	AA26
VSS_139	U13	VSS_180	AB5
VSS_140	U14	VSS_181	AB6
VSS_141	U17	VSS_182	AB7
VSS_142	U24	VSS_183	AB10
VSS_143	U25	VSS_184	AB13
VSS_144	U26	VSS_185	AB14
VSS_145	V7	VSS_186	AB17
VSS_146	V10	VSS_187	AB20
VSS_147	V13	VSS_188	AB21
VSS_148	V14	VSS_189	AB22
VSS_149	V17	VSS_190	AB23
VSS_150	V24	VSS_191	AB24
VSS_151	W5	VSS_192	AB25
VSS_152	W6		
VSS_153	W7		
VSS_154	W10		
VSS_155	W13		
VSS_156	W14		
VSS_157	W17		
VSS_158	W21		
VSS_159	W24		
VSS_160	W25		
VSS_161	W26		
VSS_162	Y7		
VSS_163	Y10		
VSS_164	Y13		
VSS_165	Y14		
VSS_166	Y17		
VSS_167	Y21		

8 Pin Descriptions for VSC7444-02



The VSC7444-02 device has 672 pins, which are described in this section.

The pin information is also provided as an attached Microsoft Excel file, so that you can copy it electronically. In Adobe Reader, double-click the attachment icon.

8.1 Pin Diagram for VSC7444-02

The following illustration is a representation of the VSC7444-02 device, as seen from the top view looking through the device. For clarity, the device is shown in two halves, the top left and the top right.

Figure 143 • Pin Diagram for VSC7444-02, Top Left

	1	2	3	4	5	6	7	8	9	10	11	12	13
A		GPIO_48	GPIO_41	GPIO_43	GPIO_45	GPIO_47	GPIO_36	GPIO_35	GPIO_20	GPIO_0	GPIO_4	GPIO_8	GPIO_10
B	GPIO_50	GPIO_49	GPIO_32	GPIO_40	GPIO_42	GPIO_44	GPIO_46	GPIO_34	GPIO_21	GPIO_1	GPIO_5	GPIO_9	GPIO_11
C	GPIO_51	GPIO_52	GPIO_33	GPIO_30	GPIO_28	GPIO_26	GPIO_24	GPIO_37	GPIO_22	GPIO_2	GPIO_6	GPIO_12	RESERVED_0
D	GPIO_53	GPIO_54	GPIO_55	GPIO_31	GPIO_29	GPIO_27	GPIO_25	GPIO_19	GPIO_23	GPIO_3	GPIO_7	GPIO_13	VSS_1
E	REFCLK2_EN	REFCLK2_SEL2	REFCLK2_SEL1	REFCLK2_SEL0	VSS_4	VDD_IO_2	VSS_5	VDD_IO_3	VDD_IO_4	VSS_6	VDD_IO_5	VDD_IO_6	VSS_7
F	RESERVED_3	RESERVED_2	RESERVED_1	VSS_13	VSS_14	VSS_15	VSS_16	VDD_IO_11	VDD_IO_12	VSS_17	VDD_IO_13	VDD_IO_14	VSS_18
G	DDR_A15	DDR_A14	NC_4	VSS_24	VDD_IO_19	VDD_IO_20	VSS_25	VDD_2	VDD_3	VSS_26	VDD_4	VDD_5	VSS_27
H	DDR_nCS0	NC_5	GPIO_38	GPIO_39	VDD_IO_21	VDD_IO_22	VSS_31	VDD_10	VDD_11	VSS_32	VDD_12	VDD_13	VSS_33
J	DDR_LDQS	DDR_LDQSn	DDR_LDM	DDR_DQ6	VSS_37	VSS_38	VSS_39	VSS_40	VSS_41	VSS_42	VSS_43	VSS_44	VSS_45
K	DDR_DQ0	DDR_DQ7	DDR_DQ3	DDR_DQ1	VDD_IODDR_1	VDD_IODDR_2	VSS_55	VDD_18	VDD_19	VSS_56	VDD_20	VDD_21	VSS_57
L	DDR_DQ5	DDR_DQ2	DDR_nRAS	DDR_DQ4	VDD_IODDR_3	VDD_IODDR_4	VSS_61	VDD_26	VDD_27	VSS_62	VDD_28	VDD_29	VSS_63
M	DDR_A0	DDR_ODT0	DDR_A2	DDR_nCAS	VSS_67	VSS_68	VSS_69	VSS_70	VSS_71	VSS_72	VSS_73	VSS_74	VSS_75
N	DDR_A8	DDR_A4	DDR_nWE	DDR_A6	VSS_85	VSS_86	VSS_87	VSS_88	VSS_89	VSS_90	VSS_91	VSS_92	VSS_93
P	DDR_CkN	DDR_CK	DDR_A11	DDR_A13	VDD_IODDR_5	VDD_IODDR_6	VSS_105	VDD_34	VDD_35	VSS_106	VDD_36	VDD_37	VSS_107
R	DDR_A12	DDR_A7	DDR_A9	DDR_A5	VDD_IODDR_7	VDD_IODDR_8	VSS_112	VDD_42	VDD_43	VSS_111	VDD_44	VDD_45	VSS_113
T	DDR_A3	DDR_A10	DDR_A1	DDR_BA1	VSS_119	VSS_120	VSS_121	VSS_122	VSS_123	VSS_124	VSS_125	VSS_126	VSS_127
U	DDR_BA0	DDR_BA2	DDR_CKE	DDR_ODT1	VDD_IODDR_9	VDD_IODDR_10	VSS_137	VDD_50	VDD_51	VSS_138	VDD_52	VDD_53	VSS_139
V	DDR_DQ12	DDR_DQ11	DDR_DQ10	DDR_DQ13	VDD_IODDR_11	VDD_IODDR_12	VSS_145	VDD_58	VDD_59	VSS_146	VDD_60	VDD_61	VSS_147
W	DDR_DQ9	DDR_DQ14	DDR_DQ8	DDR_DQ15	VSS_151	VSS_152	VSS_153	VDD_A_3	VDD_A_4	VSS_154	VDD_A_5	VDD_A_6	VSS_155
Y	DDR_Rext	DDR_UDM	DDR_UDQS	DDR_UDQSn	VDD_IODDR_13	VDD_IODDR_14	VSS_162	VDD_A_11	VDD_A_12	VSS_163	VDD_A_13	VDD_A_14	VSS_164
AA	DDR_nCS1	NC_6	NC_7	VSS_169	VSS_170	VSS_171	VSS_172	VDD_S_1	VDD_S_2	VSS_173	VDD_S_3	VDD_S_4	VSS_174
AB	MDIO0	DDR_Vref	SERDES_Rext_1	SERDES_Rext_0	VSS_180	VSS_181	VSS_182	VDD_S_5	VDD_S_6	VSS_183	VDD_S_7	VDD_S_8	VSS_184
AC	MDC0	VDD_IOMIIM0	S1_TXP	S2_TXP	S3_TXP	S4_TXP	S5_TXP	S6_TXP	S7_TXP	S8_TXP	S9_TXP	S10_TXP	S11_TXP
AD	S0_TXN	S0_TXP	S1_TXN	S2_TXN	S3_TXN	S4_TXN	S5_TXN	S6_TXN	S7_TXN	S8_TXN	S9_TXN	S10_TXN	S11_TXN
AE	S0_RXN	S0_RXP	S1_RXN	S2_RXP	S3_RXN	S4_RXP	S5_RXN	S6_RXP	S7_RXP	S8_RXN	S9_RXP	S10_RXN	S11_RXP
AF		NC_8	S1_RXN	S2_RXN	S3_RXN	S4_RXN	S5_RXN	S6_RXN	S7_RXN	S8_RXN	S9_RXN	S10_RXN	S11_RXN

Figure 144 • Pin Diagram for VSC7444-02, Top Right

14	15	16	17	18	19	20	21	22	23	24	25	26	
GPIO_14	SI_CLK	SI_DI	JTAG_JCE_nEN	THERMDA	nRESET	GPIO_57	GPIO_59	CLKOUT2_P	CLKOUT2_N	REFCLK2_P	REFCLK2_N		A
GPIO_15	SI_DO	SI_nCS0	NC_3	THERMDC	NC_1	GPIO_56	GPIO_58	PCIE_TXP	PCIE_TXN	NC_9	PCIE_RXP	PCIE_RXN	B
VDD_1	GPIO_17	REFCLK_SEL1	REFCLK_SEL2	NC_2	GPIO_63	GPIO_61	RCVRD_CLK2	RCVRD_CLK0	RCVRD_CLK1	JTAG_TDI	JTAG_TDO	JTAG_TCK	C
VSS_2	GPIO_18	GPIO_16	REFCLK_SELO	RCVRD_CLK3	GPIO_62	GPIO_60	VDD_IO_1	JTAG_TMS	JTAG_nTRST	VSS_3	S32_RXP	S32_RXN	D
VSS_8	VDD_IO_7	VDD_IO_8	VSS_9	VSS_10	VSS_11	VDD_IO_9	VDD_IO_10	S32_TXP	S32_TXN	VSS_12	S31_RXP	S31_RXN	E
VSS_19	VDD_IO_15	VDD_IO_16	VSS_20	VSS_21	VSS_22	VDD_IO_17	VDD_IO_18	S31_TXP	S31_TXN	VSS_23	S30_RXP	S30_RXN	F
VSS_28	VDD_6	VDD_7	VSS_29	VDD_8	VDD_9	VDD_V2_1	VDD_V2_2	S30_TXP	S30_TXN	VSS_30	S29_RXP	S29_RXN	G
VSS_34	VDD_14	VDD_15	VSS_35	VDD_16	VDD_17	VDD_V2_3	VDD_V2_4	S29_TXP	S29_TXN	VSS_36	S28_RXP	S28_RXN	H
VSS_46	VSS_47	VSS_48	VSS_49	VSS_50	VSS_51	VSS_52	VSS_53	S28_TXP	S28_TXN	VSS_54	S27_RXP	S27_RXN	J
VSS_58	VDD_22	VDD_23	VSS_59	VDD_24	VDD_25	VDD_V2_5	VDD_V2_6	S27_TXP	S27_TXN	VSS_60	S26_RXP	S26_RXN	K
VSS_64	VDD_30	VDD_31	VSS_65	VDD_32	VDD_33	VDD_V2_7	VDD_V2_8	S26_TXP	S26_TXN	VSS_66	S25_RXP	S25_RXN	L
VSS_76	VSS_77	VSS_78	VSS_79	VSS_80	VSS_81	VSS_82	VSS_83	S25_TXP	S25_TXN	VSS_84	REFCLK_P	REFCLK_N	M
VSS_94	VSS_95	VSS_96	VSS_97	VSS_98	VSS_99	VSS_100	VSS_101	HS_TST_P	HS_TST_N	VSS_102	VSS_103	VSS_104	N
VSS_108	VDD_38	VDD_39	VSS_109	VDD_40	VDD_41	VDD_V1_1	VDD_V1_2	VDD_HS_1	VDD_HS_2	VSS_110	RESERVED_75	RESERVED_74	P
VSS_114	VDD_46	VDD_47	VSS_115	VDD_48	VDD_49	VDD_V1_3	VDD_V1_4	RESERVED_77	RESERVED_76	VSS_116	VSS_117	VSS_118	R
VSS_128	VSS_129	VSS_130	VSS_131	VSS_132	VSS_133	VSS_134	VSS_135	VDD_HS_3	VDD_HS_4	VSS_136	RESERVED_72	RESERVED_73	T
VSS_140	VDD_54	VDD_55	VSS_141	VDD_56	VDD_57	VDD_A_1	VDD_V1_5	RESERVED_70	RESERVED_71	VSS_142	VSS_143	VSS_144	U
VSS_148	VDD_62	VDD_63	VSS_149	VDD_64	VDD_65	VDD_A_2	VDD_V1_6	VDD_HS_5	VDD_HS_6	VSS_150	S34_RXP	S34_RXN	V
VSS_156	VDD_A_7	VDD_A_8	VSS_157	VDD_A_9	VDD_A_10	VDD_ref25_0	VSS_158	S34_TXP	S34_TXN	VSS_159	VSS_160	VSS_161	W
VSS_165	VDD_A_15	VDD_A_16	VSS_166	VDD_A_17	VDD_A_18	VDD_ref25_1	VSS_167	VDD_HS_7	VDD_HS_8	VSS_168	S33_RXP	S33_RXN	Y
VSS_175	VDD_V1_7	VDD_V1_8	VSS_176	VDD_V1_9	VDD_V1_10	VDD_ref25_2	VSS_177	S33_TXP	S33_TXN	VSS_178	RESERVED_4	VSS_179	AA
VSS_185	VDD_V1_11	VDD_V1_12	VSS_186	VDD_V1_13	VDD_V1_14	VSS_187	VSS_188	VSS_189	VSS_190	VSS_191	VSS_192	S24_TXP	AB
S12_TXP	S13_TXP	S14_TXP	S15_TXP	S16_TXP	S17_TXP	S18_TXP	S19_TXP	S20_TXP	S21_TXP	S22_TXP	S23_TXP	S24_TXN	AC
S12_TXN	S13_TXN	S14_TXN	S15_TXN	S16_TXN	S17_TXN	S18_TXN	S19_TXN	S20_TXN	S21_TXN	S22_TXN	S23_TXN	S24_RXP	AD
S12_RXP	S13_RXP	S14_RXP	S15_RXP	S16_RXP	S17_RXP	S18_RXP	S19_RXP	S20_RXP	S21_RXP	S22_RXP	S23_RXP	S24_RXN	AE
S12_RXN	S13_RXN	S14_RXN	S15_RXN	S16_RXN	S17_RXN	S18_RXN	S19_RXN	S20_RXN	S21_RXN	S22_RXN	S23_RXN		AF

8.2 Pins by Function for VSC7444-02

This section contains the functional pin descriptions for the VSC7444-02 device.

The following table lists the definitions for the pin type symbols.

Table 362 • Pin Type Symbol Definitions

Symbol	Pin Type	Description
A	Analog input	Analog input for sensing variable voltage levels.
ABIAS	Analog bias	Analog bias pin.
DIFF	Differential	Differential signal pair.
I	Input	Input signal.
O	Output	Output signal.
I/O	Bidirectional	Bidirectional input or output signal.
O	Output	Output signal.
OZ	3-state output	Output
LVDS	Input or output	Low voltage differential signal
LVCNOS	Input or output	Low voltage CMOS signal

Table 362 • Pin Type Symbol Definitions (continued)

Symbol	Pin Type	Description
PD	Pull-down	On-chip pull-down resistor to VSS.
PU	Pull-up	On-chip pull-up resistor to VDD_IO.
3V		3.3 V-tolerant.
ST	Schmitt-trigger	Input has Schmitt-trigger circuitry.
TD	Termination differential	Internal differential termination.

8.2.1 DDR SDRAM Interface

The following table lists the pins associated with the DDR3/DDR3L SDRAM interface.

Table 363 • DDR3/DDR3L SDRAM Pins

Name	I/O	Type	Description
DDR_A[15:0]	O		SDRAM address outputs. Provide row and column addresses to the SDRAM.
DDR_BA[2:0]	O		SDRAM bank address outputs. DDR_BA[2:0] define to which bank an ACTIVE, READ, WRITE, or PRECHARGE command is applied.
DDR_CK DDR_CKn	O	DIFF	SDRAM differential clock. Differential clock to external SDRAM. DDR_CK is the true part of the differential signal. DDR_CKn is the complement part.
DDR_CKE	O		SDRAM clock enable. 0: Disables clock in external SDRAM. 1: Enables clock in external SDRAM.
DDR_nCS[1:0]	O		SDRAM chip selects. Active low.
DDR_DQ[15:0]	I/O		SDRAM data bus.
DDR_LDM DDR_UDM	O		SDRAM data mask outputs. DDR_LDM and DDR_UDM are mask signals for data written to the SDRAM. DDR_LDM corresponds to data on DDR_DQ[7:0], and DDR_UDM corresponds to data on DDR_DQ[15:8].
DDR_LDQS DDR_LDQSn DDR_UDQS DDR_UDQSn		I/O, DIFF, TD	SDRAM differential data strobes. Bidirectional differential signal that follows data direction. Used by SDRAM to capture data on write operations. Edge-aligned with data from SDRAM during read operations and used by the device to capture data. DDR_LDQS corresponds to data on DDR_DQ[7:0], and DDR_UDQS corresponds to data on DDR_DQ[15:8].
DDR_nRAS DDR_nCAS DDR_nWE	O		SDRAM command outputs. DDR_nRAS, DDR_nCAS, and DDR_nWE (along with DDR_nCS) define the command being entered.
DDR_ODT[1:0]	O	O	Control signals for the attached DDR3/DDR3L SDRAM devices on-die termination.
DDR_Rext		ABIAS	External DDR impedance calibration. Connect the pin through an external 240 Ω \pm 1% resistor to ground.
DDR_Vref		ABIAS	Input reference voltage. Provides the input switching reference voltage to the SSTL DDR signals.

8.2.2 General-Purpose Inputs and Outputs

The following table lists the general-purpose I/O (GPIO) pins. Leave GPIO pins unconnected when not in use.

Many of the GPIO pins serve multiple functions. For more information about the overlaid functions and how to configure them, [GPIO Overlaid Functions](#), page 354.

Table 364 • GPIO Pins

Name	Type	Description
GPIO_[63:0]	I/O, PU, ST, 3V	General-purpose inputs and outputs.

8.2.3 JTAG Interface

The following table lists the pins associated with the JTAG interface. The JTAG interface can be connected to the boundary scan TAP controller or the internal VCore-III TAP controller for software debug as described under the JTAG_ICE_nEN signal.

The JTAG signals are not 5 V tolerant.

Table 365 • JTAG Interface Pins

Name	I/O	Type	Description
JTAG_ICE_nEN	I	PU, ST, 3V	0: Enables VCore-III debug interface over the JTAG interface. 1: Enables normal JTAG I/O over the JTAG interface.
JTAG_nTRST	I	PU, ST, 3V	JTAG test reset, active low. For normal device operation, JTAG_nTRST should be pulled low.
JTAG_TCK	I	ST, 3V	JTAG clock.
JTAG_TDI	I	PU, ST, 3V	JTAG test data in.
JTAG_TDO	O	OZ, 3V	JTAG test data out.
JTAG_TMS	I	PU, ST, 3V	JTAG test mode select.

8.2.4 MII Management Interface

The following table lists the pins associated with the MII Management interface.

Table 366 • MII Management Interface Pins

Name	I/O	Type	Description
MDC0	I/O	3V	Management data clock. MDC0 is sourced by the station management entity (the device) to the PHY as the timing reference for transfer of information on the MDIO0 signal. MDC0 is an aperiodic signal.
MDIO0	I/O	PU, 3V	Management data input/output. MDIO0 is a bidirectional signal between a PHY and the device, used to transfer control and status information. Control information is driven by the device synchronously with respect to MDC0 and is sampled synchronously by the PHY. Status information is driven by the PHY synchronously with respect to MDC0 and is sampled synchronously by the device.

8.2.5 Miscellaneous

The following table lists the pins associated with a particular interface or facility on the device.

Table 367 • Miscellaneous Pins

Name	I/O	Type	Description
nRESET	I	PU, ST, 3V	Global device reset, active low.
RESERVED_0		Analog	Tie to V _{SS} .
RESERVED_4		Power	
RESERVED_1		Analog	Leave floating.
RESERVED_[3:2]	O	SSTL	Leave floating.
RESERVED_[71:70]	O	CML	Leave floating.
RESERVED_[77:76]			
RESERVED_[75:72]	I	CML	Tie to V _{DD_A} .
NC_[9:1]			Do not connect. Leave floating.
SERDES_Rext_[1:0]		Analog	Analog bias calibration. Connect an external 620 Ω ±1% resistor between SERDES_Rext_1 and SERDES_Rext_0.
THERMDA		Analog	Thermal diode anode (p-junction).
THERMDC		Analog	Thermal diode cathode (n-junction). Connected on-die to V _{SS} .

8.2.6 PCI Express Interface

The following table lists the pins associated with the PCI Express (PCIe) pins.

Table 368 • PCI Express Interface Pins

Name	I/O	Type	Description
PCIE_RXN	I	CML, TD	Differential PCIe data inputs.
PCIE_RXP			
PCIE_TXN	O	CML	Differential PCIe data outputs.
PCIE_TXP			

8.2.7 Power Supplies and Ground

The following table lists the power supply and ground pins.

Table 369 • Power Supply and Ground Pins

Name	Type	Description
VDD_[65:1]	Power	1.0 V power supply voltage for core
VDD_A_[18:1]	Power	1.0 V power supply voltage for analog circuits
VDD_HS_[8:1]	Power	1.0 V or 1.2 V power supply for SERDES10G, ports 33 – 36
VDD_IO_[22:1]	Power	3.3 V power supply for GPIOs and miscellaneous I/Os
VDD_IODDR_[14:1]	Power	1.35 V or 1.5 V power supply for DDR3/DDR3L interface
VDD_IOMIIM0	Power	2.5 V or 3.3 V power supply for MIIM interface
VDD_ref25_[2:0]	Power	2.5 V reference supply for SerDes and PLLs
VDD_S_[8:1]	Power	1.0 V or 1.2 V power supply voltage for SERDES1G, ports 0 – 8

Table 369 • Power Supply and Ground Pins (continued)

Name	Type	Description
VDD_V1_[14:1]	Power	1.0 V or 1.2 V power supply for SERDES6G ports, 9 – 24
VDD_V2_[8:1]	Power	1.0 V or 1.2 V power supply for SERDES6G ports, 25 – 32 and PCIe
VSS_[192:1]	Ground	Ground reference

8.2.8 SERDES1G

The following table lists the pins that use the SERDES1G differential macro. For information about the protocols and data rates supported by the SERDES1G macro, see [Supported Port Interfaces](#), page 27.

Table 370 • SERDES1G Pins

Name	I/O	Type	Description
S0_RXN S0_RXP	I	LVDS, TD	Differential 1G NPI data inputs.
S0_TXN S0_TXP	O	LVDS	Differential 1G NPI data outputs.
S[8:1]_RXN S[8:1]_RXP	I	LVDS, TD	Differential 1G data inputs.
S[8:1]_TXN S[8:1]_TXP	O	LVDS	Differential 1G data outputs.

8.2.9 SERDES6G

The following table lists the pins that use the SERDES6G differential macro. The port numbers for QSGMII, XAUI, and RXAUI is represented by *n*. For information about the protocols and data rates supported by the SERDES6G macro, see [Supported Port Interfaces](#), page 27.

Table 371 • SERDES6G Pins

Name	I/O	Type	Description
S[12:9]_RXN S[12:9]_RXP	I	CML, TD	Differential data inputs. 2.5G/1G
S[12:9]_TXN S[12:9]_TXP	O	CML	Differential data outputs. 2.5G/1G
S13_RXN S13_RXP	I	CML, TD	Differential data inputs. QSGMII0/2.5G/1G
S13_TXN S13_TXP	O	CML	Differential data outputs. QSGMII0/2.5G/1G
S14_RXN S14_RXP	I	CML, TD	Differential data inputs. QSGMII1/2.5G/1G
S14_TXN S14_TXP	O	CML	Differential data outputs. QSGMII1/2.5G/1G
S15_RXN S15_RXP	I	CML, TD	Differential data inputs. QSGMII2/2.5G/1G
S15_TXN S15_TXP	O	CML	Differential data outputs. QSGMII2/2.5G/1G
S16_RXN S16_RXP	I	CML, TD	Differential data inputs. QSGMII3/2.5G/1G

Table 371 • SERDES6G Pins (continued)

Name	I/O	Type	Description
S16_TXN S16_TXP	O	CML	Differential data outputs. QSGMII3/2.5G/1G
S17_RXN S17_RXP	I	CML, TD	Differential data inputs. QSGMII4/2.5G/1G
S17_TXN S17_TXP	O	CML	Differential data outputs. QSGMII4/2.5G/1G
S18_RXN S18_RXP	I	CML, TD	Differential data inputs. QSGMII5/2.5G/1G
S18_TXN S18_TXP	O	CML	Differential data outputs. QSGMII5/2.5G/1G
S19_RXN S19_RXP	I	CML, TD	Differential data inputs. 2.5G/1G
S19_TXN S19_TXP	O	CML	Differential data outputs. 2.5G/1G
S20_RXN S20_RXP	I	CML, TD	Differential data inputs. 2.5G/1G
S20_TXN S20_TXP	O	CML	Differential data outputs. 2.5G/1G
S21_RXN S21_RXP	I	CML, TD	Differential data inputs. 2.5G/1G
S21_TXN S21_TXP	O	CML	Differential data outputs. 2.5G/1G
S22_RXN S22_RXP	I	CML, TD	Differential data inputs. 2.5G/1G
S22_TXN S22_TXP	O	CML	Differential data outputs. 2.5G/1G
S23_RXN S23_RXP	I	CML, TD	Differential data inputs. 2.5G/1G
S23_TXN S23_TXP	O	CML	Differential data outputs. 2.5G/1G
S24_RXN S24_RXP	I	CML, TD	Differential data inputs. 2.5G/1G
S24_TXN S24_TXP	O	CML	Differential data outputs. QSGMII11/1G
S25_RXN S25_RXP	I	CML, TD	Differential data inputs. RXAUI0/XAUI0/2.5G/1G
S25_TXN S25_TXP	O	CML	Differential data outputs. RXAUI0/XAUI0/2.5G/1G
S26_RXN S26_RXP	I	CML, TD	Differential data inputs. XAUI0/2.5G/1G
S26_TXN S26_TXP	O	CML	Differential data outputs. XAUI0/2.5G/1G
S27_RXN S27_RXP	I	CML, TD	Differential data inputs. RXAUI0/XAUI0/2.5G/1G

Table 371 • SERDES6G Pins (continued)

Name	I/O	Type	Description
S27_TXN S27_TXP	O	CML	Differential data outputs. RXAU10/XAU10/2.5G/1G
S28_RXN S28_RXP	I	CML, TD	Differential data inputs. XAU10/2.5G/1G
S28_TXN S28_TXP	O	CML	Differential data outputs. XAU10/2.5G/1G
S29_RXN S29_RXP	I	CML, TD	Differential data inputs. RXAU11/XAU11/2.5G/1G
S29_TXN S29_TXP	O	CML	Differential data outputs. RXAU11/XAU11/2.5G/1G
S30_RXN S30_RXP	I	CML, TD	Differential data inputs. XAU11/2.5G/1G
S30_TXN S30_TXP	O	CML	Differential data outputs. XAU11/2.5G/1G
S31_RXN S31_RXP	I	CML, TD	Differential data inputs. RXAU11/XAU11/2.5G/1G
S31_TXN S31_TXP	O	CML	Differential data outputs. RXAU11/XAU11/2.5G/1G
S32_RXN S32_RXP	I	CML, TD	Differential data inputs. XAU11/2.5G/1G
S32_TXN S32_TXP	O	CML	Differential data outputs. XAU11/2.5G/1G

8.2.10 SERDES10G

The following table lists the pins that use the SERDES10G differential macro. For information about the protocols and data rates supported by the SERDES10G macro, see [Supported Port Interfaces](#), page 27.

Table 372 • SERDES10G Pins

Name	I/O	Type	Description
S[34:33]_RXN S[34:33]_RXP	I	CML, TD	Differential data inputs. 10G/2.5G/1G
S[34:33]_TXN S[34:33]_TXP	O	CML	Differential data outputs. 10G/2.5G/1G

8.2.11 Serial CPU Interface

The serial CPU interface (SI) can be used as a serial slave, master, or boot interface.

As a slave interface, it allows external CPUs to access internal registers. As a master interface, it allows the device to access external devices using a programmable protocol. The serial CPU interface also allows the internal VCore-III CPU system to boot from an attached serial memory device when the VCore_CFG signals are set appropriately.

The following table lists the pins associated with the serial CPU interface.

Table 373 • Serial CPU Interface Pins

Name	I/O	Type	Description
SI_CLK	I/O	PU, ST, 3V, LVCMOS	Slave mode: Input receiving serial interface clock from external master. Master mode: Output driven with clock to external device. Boot mode: Output driven with clock to external serial memory device.
SI_DI	I	PU, ST, 3V, LVCMOS	Slave mode: Input receiving serial interface data from external master. Master mode: Input data from external device. Boot mode: Input boot data from external serial memory device.
SI_DO	O	OZ, PU, 3V, LVCMOS	Slave mode: Output transmitting serial interface data to external master. Master mode: Output data to external device. Boot mode: Output boot control data to external serial memory device.
SI_nCS0	I/O	PU, ST, 3V, LVCMOS	Slave mode: Input used to enable SI slave interface. 0 = Enabled 1 = Disabled Master mode: Output driven low while accessing external device. Boot mode: Output driven low while booting from EEPROM or serial flash to internal VCore-III CPU system. Released when booting is completed.

8.2.12 System Clock Interface

The following table lists the pins associated with the system clock interface.

Table 374 • System Clock Interface Pins

Name	I/O	Type	Description
CLKOUT2_N CLKOUT2_P	O	LVDS	PLL2 clock output. Leave floating if not used.
HS_TST_N HS_TST_P	O	LVDS	PLL test output. Connect to test point.
RCVRD_CLK[3:0]		OZ, LVCMOS	The output clock frequency can be between 25 MHz and 161 MHz, based on the selected active recovered media programmed for this pin and the divider configuration. These pins are not active when nRESET is asserted. Clock outputs can be enabled or disabled from registers. When disabled, the pin is held low.
REFCLK2_EN	I	PD, LVCMOS	Reference clock frequency enable.
REFCLK_SEL[2:0] REFCLK2_SEL[2:0]	I	PD, 3V, LVCMOS	Reference clock frequency selection. 0: Connect to pull-down or leave floating. 1: Connect to pull-up to V _{DD_IO33} . Coding: 000: 125 MHz (default). 001: 156.25 MHz. 010: 250 MHz. 011: Reserved. 100: 25 MHz (REFCLK2_SEL[2:0] only). 101: Reserved. 110: Reserved. 111: Reserved.

Table 374 • System Clock Interface Pins (continued)

Name	I/O	Type	Description
REFCLK_N REFCLK_P REFCLK2_N REFCLK2_P	I	LVDS, TD, LVCMOS	<p>Reference clock inputs.</p> <p>The inputs can be either differential or single-ended.</p> <p>In differential mode (LVDS), REFCLK_P/REFCLK2_P is the true part of the differential signal, and REFCLK_N/REFCLK2_N is the complement part of the differential signal.</p> <p>In single-ended mode (LVCMOS), REFCLK_P/REFCLK2_P is used as single-ended LVTTTL input. REFCLK_N/REFCLK2_N should be left floating, and the PLL registers must be configured for single-ended operation.</p> <p>Required applied frequency depends on REFCLK_SEL[2:0] and REFCLK2_SEL[2:0] input state.</p>

8.3 Pins by Number for VSC7444-02

This section provides a numeric list of the VSC7444-02 pins.

A2	GPIO_48	AA15	VDD_V1_7	AC1	MDC0
A3	GPIO_41	AA16	VDD_V1_8	AC2	VDD_IOMIIM0
A4	GPIO_43	AA17	VSS_176	AC3	S1_TXP
A5	GPIO_45	AA18	VDD_V1_9	AC4	S2_TXP
A6	GPIO_47	AA19	VDD_V1_10	AC5	S3_TXP
A7	GPIO_36	AA20	VDD_ref25_2	AC6	S4_TXP
A8	GPIO_35	AA21	VSS_177	AC7	S5_TXP
A9	GPIO_20	AA22	S33_TXP	AC8	S6_TXP
A10	GPIO_0	AA23	S33_TXN	AC9	S7_TXP
A11	GPIO_4	AA24	VSS_178	AC10	S8_TXP
A12	GPIO_8	AA25	RESERVED_4	AC11	S9_TXP
A13	GPIO_10	AA26	VSS_179	AC12	S10_TXP
A14	GPIO_14	AB1	MDI00	AC13	S11_TXP
A15	SI_CLK	AB2	DDR_Vref	AC14	S12_TXP
A16	SI_DI	AB3	SERDES_Rext_1	AC15	S13_TXP
A17	JTAG_ICE_nEN	AB4	SERDES_Rext_0	AC16	S14_TXP
A18	THERMDA	AB5	VSS_180	AC17	S15_TXP
A19	nRESET	AB6	VSS_181	AC18	S16_TXP
A20	GPIO_57	AB7	VSS_182	AC19	S17_TXP
A21	GPIO_59	AB8	VDD_S_5	AC20	S18_TXP
A22	CLKOUT2_P	AB9	VDD_S_6	AC21	S19_TXP
A23	CLKOUT2_N	AB10	VSS_183	AC22	S20_TXP
A24	REFCLK2_P	AB11	VDD_S_7	AC23	S21_TXP
A25	REFCLK2_N	AB12	VDD_S_8	AC24	S22_TXP
AA1	DDR_nCS1	AB13	VSS_184	AC25	S23_TXP
AA2	NC_6	AB14	VSS_185	AC26	S24_TXN
AA3	NC_7	AB15	VDD_V1_11	AD1	S0_TXN
AA4	VSS_169	AB16	VDD_V1_12	AD2	S0_TXP
AA5	VSS_170	AB17	VSS_186	AD3	S1_TXN
AA6	VSS_171	AB18	VDD_V1_13	AD4	S2_TXN
AA7	VSS_172	AB19	VDD_V1_14	AD5	S3_TXN
AA8	VDD_S_1	AB20	VSS_187	AD6	S4_TXN
AA9	VDD_S_2	AB21	VSS_188	AD7	S5_TXN
AA10	VSS_173	AB22	VSS_189	AD8	S6_TXN
AA11	VDD_S_3	AB23	VSS_190	AD9	S7_TXN
AA12	VDD_S_4	AB24	VSS_191	AD10	S8_TXN
AA13	VSS_174	AB25	VSS_192	AD11	S9_TXN
AA14	VSS_175	AB26	S24_TXP	AD12	S10_TXN

Pins by number (continued)

AD13	S11_TXN	AF3	S1_RXN	B19	NC_1
AD14	S12_TXN	AF4	S2_RXN	B20	GPIO_56
AD15	S13_TXN	AF5	S3_RXN	B21	GPIO_58
AD16	S14_TXN	AF6	S4_RXN	B22	PCIE_TXP
AD17	S15_TXN	AF7	S5_RXN	B23	PCIE_TXN
AD18	S16_TXN	AF8	S6_RXN	B24	NC_9
AD19	S17_TXN	AF9	S7_RXN	B25	PCIE_RXP
AD20	S18_TXN	AF10	S8_RXN	B26	PCIE_RXN
AD21	S19_TXN	AF11	S9_RXN	C1	GPIO_51
AD22	S20_TXN	AF12	S10_RXN	C2	GPIO_52
AD23	S21_TXN	AF13	S11_RXN	C3	GPIO_33
AD24	S22_TXN	AF14	S12_RXN	C4	GPIO_30
AD25	S23_TXN	AF15	S13_RXN	C5	GPIO_28
AD26	S24_RXP	AF16	S14_RXN	C6	GPIO_26
AE1	S0_RXN	AF17	S15_RXN	C7	GPIO_24
AE2	S0_RXP	AF18	S16_RXN	C8	GPIO_37
AE3	S1_RXP	AF19	S17_RXN	C9	GPIO_22
AE4	S2_RXP	AF20	S18_RXN	C10	GPIO_2
AE5	S3_RXP	AF21	S19_RXN	C11	GPIO_6
AE6	S4_RXP	AF22	S20_RXN	C12	GPIO_12
AE7	S5_RXP	AF23	S21_RXN	C13	RESERVED_0
AE8	S6_RXP	AF24	S22_RXN	C14	VDD_1
AE9	S7_RXP	AF25	S23_RXN	C15	GPIO_17
AE10	S8_RXP	B1	GPIO_50	C16	REFCLK_SEL1
AE11	S9_RXP	B2	GPIO_49	C17	REFCLK_SEL2
AE12	S10_RXP	B3	GPIO_32	C18	NC_2
AE13	S11_RXP	B4	GPIO_40	C19	GPIO_63
AE14	S12_RXP	B5	GPIO_42	C20	GPIO_61
AE15	S13_RXP	B6	GPIO_44	C21	RCVRD_CLK2
AE16	S14_RXP	B7	GPIO_46	C22	RCVRD_CLK0
AE17	S15_RXP	B8	GPIO_34	C23	RCVRD_CLK1
AE18	S16_RXP	B9	GPIO_21	C24	JTAG_TDI
AE19	S17_RXP	B10	GPIO_1	C25	JTAG_TDO
AE20	S18_RXP	B11	GPIO_5	C26	JTAG_TCK
AE21	S19_RXP	B12	GPIO_9	D1	GPIO_53
AE22	S20_RXP	B13	GPIO_11	D2	GPIO_54
AE23	S21_RXP	B14	GPIO_15	D3	GPIO_55
AE24	S22_RXP	B15	SI_DO	D4	GPIO_31
AE25	S23_RXP	B16	SI_nCS0	D5	GPIO_29
AE26	S24_RXN	B17	NC_3	D6	GPIO_27
AF2	NC_8	B18	THERMDC	D7	GPIO_25

Pins by number (continued)

D8	GPIO_19	E23	S32_TXN	G12	VDD_5
D9	GPIO_23	E24	VSS_12	G13	VSS_27
D10	GPIO_3	E25	S31_RXP	G14	VSS_28
D11	GPIO_7	E26	S31_RXN	G15	VDD_6
D12	GPIO_13	F1	RESERVED_3	G16	VDD_7
D13	VSS_1	F2	RESERVED_2	G17	VSS_29
D14	VSS_2	F3	RESERVED_1	G18	VDD_8
D15	GPIO_18	F4	VSS_13	G19	VDD_9
D16	GPIO_16	F5	VSS_14	G20	VDD_V2_1
D17	REFCLK_SEL0	F6	VSS_15	G21	VDD_V2_2
D18	RCVRD_CLK3	F7	VSS_16	G22	S30_TXP
D19	GPIO_62	F8	VDD_IO_11	G23	S30_TXN
D20	GPIO_60	F9	VDD_IO_12	G24	VSS_30
D21	VDD_IO_1	F10	VSS_17	G25	S29_RXP
D22	JTAG_TMS	F11	VDD_IO_13	G26	S29_RXN
D23	JTAG_nTRST	F12	VDD_IO_14	H1	DDR_nCS0
D24	VSS_3	F13	VSS_18	H2	NC_5
D25	S32_RXP	F14	VSS_19	H3	GPIO_38
D26	S32_RXN	F15	VDD_IO_15	H4	GPIO_39
E1	REFCLK2_EN	F16	VDD_IO_16	H5	VDD_IO_21
E2	REFCLK2_SEL2	F17	VSS_20	H6	VDD_IO_22
E3	REFCLK2_SEL1	F18	VSS_21	H7	VSS_31
E4	REFCLK2_SEL0	F19	VSS_22	H8	VDD_10
E5	VSS_4	F20	VDD_IO_17	H9	VDD_11
E6	VDD_IO_2	F21	VDD_IO_18	H10	VSS_32
E7	VSS_5	F22	S31_TXP	H11	VDD_12
E8	VDD_IO_3	F23	S31_TXN	H12	VDD_13
E9	VDD_IO_4	F24	VSS_23	H13	VSS_33
E10	VSS_6	F25	S30_RXP	H14	VSS_34
E11	VDD_IO_5	F26	S30_RXN	H15	VDD_14
E12	VDD_IO_6	G1	DDR_A15	H16	VDD_15
E13	VSS_7	G2	DDR_A14	H17	VSS_35
E14	VSS_8	G3	NC_4	H18	VDD_16
E15	VDD_IO_7	G4	VSS_24	H19	VDD_17
E16	VDD_IO_8	G5	VDD_IO_19	H20	VDD_V2_3
E17	VSS_9	G6	VDD_IO_20	H21	VDD_V2_4
E18	VSS_10	G7	VSS_25	H22	S29_TXP
E19	VSS_11	G8	VDD_2	H23	S29_TXN
E20	VDD_IO_9	G9	VDD_3	H24	VSS_36
E21	VDD_IO_10	G10	VSS_26	H25	S28_RXP
E22	S32_TXP	G11	VDD_4	H26	S28_RXN

Pins by number (continued)

J1	DDR_LDQS
J2	DDR_LDQSn
J3	DDR_LDM
J4	DDR_DQ6
J5	VSS_37
J6	VSS_38
J7	VSS_39
J8	VSS_40
J9	VSS_41
J10	VSS_42
J11	VSS_43
J12	VSS_44
J13	VSS_45
J14	VSS_46
J15	VSS_47
J16	VSS_48
J17	VSS_49
J18	VSS_50
J19	VSS_51
J20	VSS_52
J21	VSS_53
J22	S28_TXP
J23	S28_TXN
J24	VSS_54
J25	S27_RXP
J26	S27_RXN
K1	DDR_DQ0
K2	DDR_DQ7
K3	DDR_DQ3
K4	DDR_DQ1
K5	VDD_IODDR_1
K6	VDD_IODDR_2
K7	VSS_55
K8	VDD_18
K9	VDD_19
K10	VSS_56
K11	VDD_20
K12	VDD_21
K13	VSS_57
K14	VSS_58
K15	VDD_22
K16	VDD_23
K17	VSS_59
K18	VDD_24
K19	VDD_25
K20	VDD_V2_5
K21	VDD_V2_6
K22	S27_TXP
K23	S27_TXN
K24	VSS_60
K25	S26_RXP
K26	S26_RXN
L1	DDR_DQ5
L2	DDR_DQ2
L3	DDR_nRAS
L4	DDR_DQ4
L5	VDD_IODDR_3
L6	VDD_IODDR_4
L7	VSS_61
L8	VDD_26
L9	VDD_27
L10	VSS_62
L11	VDD_28
L12	VDD_29
L13	VSS_63
L14	VSS_64
L15	VDD_30
L16	VDD_31
L17	VSS_65
L18	VDD_32
L19	VDD_33
L20	VDD_V2_7
L21	VDD_V2_8
L22	S26_TXP
L23	S26_TXN
L24	VSS_66
L25	S25_RXP
L26	S25_RXN
M1	DDR_A0
M2	DDR_ODT0
M3	DDR_A2
M4	DDR_nCAS
M5	VSS_67
M6	VSS_68
M7	VSS_69
M8	VSS_70
M9	VSS_71
M10	VSS_72
M11	VSS_73
M12	VSS_74
M13	VSS_75
M14	VSS_76
M15	VSS_77
M16	VSS_78
M17	VSS_79
M18	VSS_80
M19	VSS_81
M20	VSS_82
M21	VSS_83
M22	S25_TXP
M23	S25_TXN
M24	VSS_84
M25	REFCLK_P
M26	REFCLK_N
N1	DDR_A8
N2	DDR_A4
N3	DDR_nWE
N4	DDR_A6
N5	VSS_85
N6	VSS_86
N7	VSS_87
N8	VSS_88
N9	VSS_89
N10	VSS_90
N11	VSS_91
N12	VSS_92
N13	VSS_93
N14	VSS_94
N15	VSS_95
N16	VSS_96
N17	VSS_97
N18	VSS_98
N19	VSS_99

Pins by number (continued)

N20	VSS_100	R9	VDD_43	T24	VSS_136
N21	VSS_101	R10	VSS_111	T25	S35_RXP
N22	HS_TST_P	R11	VDD_44	T26	S35_RXN
N23	HS_TST_N	R12	VDD_45	U1	DDR_BA0
N24	VSS_102	R13	VSS_113	U2	DDR_BA2
N25	VSS_103	R14	VSS_114	U3	DDR_CKE
N26	VSS_104	R15	VDD_46	U4	DDR_ODT1
P1	DDR_CK _n	R16	VDD_47	U5	VDD_IODDR_9
P2	DDR_CK	R17	VSS_115	U6	VDD_IODDR_10
P3	DDR_A11	R18	VDD_48	U7	VSS_137
P4	DDR_A13	R19	VDD_49	U8	VDD_50
P5	VDD_IODDR_5	R20	VDD_V1_3	U9	VDD_51
P6	VDD_IODDR_6	R21	VDD_V1_4	U10	VSS_138
P7	VSS_105	R22	S36_TXP	U11	VDD_52
P8	VDD_34	R23	S36_TXN	U12	VDD_53
P9	VDD_35	R24	VSS_116	U13	VSS_139
P10	VSS_106	R25	VSS_117	U14	VSS_140
P11	VDD_36	R26	VSS_118	U15	VDD_54
P12	VDD_37	T1	DDR_A3	U16	VDD_55
P13	VSS_107	T2	DDR_A10	U17	VSS_141
P14	VSS_108	T3	DDR_A1	U18	VDD_56
P15	VDD_38	T4	DDR_BA1	U19	VDD_57
P16	VDD_39	T5	VSS_119	U20	VDD_A_1
P17	VSS_109	T6	VSS_120	U21	VDD_V1_5
P18	VDD_40	T7	VSS_121	U22	S35_TXP
P19	VDD_41	T8	VSS_122	U23	S35_TXN
P20	VDD_V1_1	T9	VSS_123	U24	VSS_142
P21	VDD_V1_2	T10	VSS_124	U25	VSS_143
P22	VDD_HS_1	T11	VSS_125	U26	VSS_144
P23	VDD_HS_2	T12	VSS_126	V1	DDR_DQ12
P24	VSS_110	T13	VSS_127	V2	DDR_DQ11
P25	S36_RXP	T14	VSS_128	V3	DDR_DQ10
P26	S36_RXN	T15	VSS_129	V4	DDR_DQ13
R1	DDR_A12	T16	VSS_130	V5	VDD_IODDR_11
R2	DDR_A7	T17	VSS_131	V6	VDD_IODDR_12
R3	DDR_A9	T18	VSS_132	V7	VSS_145
R4	DDR_A5	T19	VSS_133	V8	VDD_58
R5	VDD_IODDR_7	T20	VSS_134	V9	VDD_59
R6	VDD_IODDR_8	T21	VSS_135	V10	VSS_146
R7	VSS_112	T22	VDD_HS_3	V11	VDD_60
R8	VDD_42	T23	VDD_HS_4	V12	VDD_61

Pins by number (continued)

V13	VSS_147	Y2	DDR_UDM
V14	VSS_148	Y3	DDR_UDQS
V15	VDD_62	Y4	DDR_UDQSn
V16	VDD_63	Y5	VDD_IODDR_13
V17	VSS_149	Y6	VDD_IODDR_14
V18	VDD_64	Y7	VSS_162
V19	VDD_65	Y8	VDD_A_11
V20	VDD_A_2	Y9	VDD_A_12
V21	VDD_V1_6	Y10	VSS_163
V22	VDD_HS_5	Y11	VDD_A_13
V23	VDD_HS_6	Y12	VDD_A_14
V24	VSS_150	Y13	VSS_164
V25	S34_RXP	Y14	VSS_165
V26	S34_RXN	Y15	VDD_A_15
W1	DDR_DQ9	Y16	VDD_A_16
W2	DDR_DQ14	Y17	VSS_166
W3	DDR_DQ8	Y18	VDD_A_17
W4	DDR_DQ15	Y19	VDD_A_18
W5	VSS_151	Y20	VDD_ref25_1
W6	VSS_152	Y21	VSS_167
W7	VSS_153	Y22	VDD_HS_7
W8	VDD_A_3	Y23	VDD_HS_8
W9	VDD_A_4	Y24	VSS_168
W10	VSS_154	Y25	S33_RXP
W11	VDD_A_5	Y26	S33_RXN
W12	VDD_A_6		
W13	VSS_155		
W14	VSS_156		
W15	VDD_A_7		
W16	VDD_A_8		
W17	VSS_157		
W18	VDD_A_9		
W19	VDD_A_10		
W20	VDD_ref25_0		
W21	VSS_158		
W22	S34_TXP		
W23	S34_TXN		
W24	VSS_159		
W25	VSS_160		
W26	VSS_161		
Y1	DDR_Rext		

8.4 Pins by Name for VSC7444-02

This section provides an alphabetic list of the VSC7444-02 pins.

CLKOUT2_N	A23	DDR_DQ14	W2	GPIO_21	B9
CLKOUT2_P	A22	DDR_DQ15	W4	GPIO_22	C9
DDR_A0	M1	DDR_LDM	J3	GPIO_23	D9
DDR_A1	T3	DDR_LDQS	J1	GPIO_24	C7
DDR_A2	M3	DDR_LDQSn	J2	GPIO_25	D7
DDR_A3	T1	DDR_nCAS	M4	GPIO_26	C6
DDR_A4	N2	DDR_nCS0	H1	GPIO_27	D6
DDR_A5	R4	DDR_nCS1	AA1	GPIO_28	C5
DDR_A6	N4	DDR_nRAS	L3	GPIO_29	D5
DDR_A7	R2	DDR_nWE	N3	GPIO_30	C4
DDR_A8	N1	DDR_ODT0	M2	GPIO_31	D4
DDR_A9	R3	DDR_ODT1	U4	GPIO_32	B3
DDR_A10	T2	DDR_Rext	Y1	GPIO_33	C3
DDR_A11	P3	DDR_UDM	Y2	GPIO_34	B8
DDR_A12	R1	DDR_UDQS	Y3	GPIO_35	A8
DDR_A13	P4	DDR_UDQSn	Y4	GPIO_36	A7
DDR_A14	G2	DDR_Vref	AB2	GPIO_37	C8
DDR_A15	G1	GPIO_0	A10	GPIO_38	H3
DDR_BA0	U1	GPIO_1	B10	GPIO_39	H4
DDR_BA1	T4	GPIO_2	C10	GPIO_40	B4
DDR_BA2	U2	GPIO_3	D10	GPIO_41	A3
DDR_CK	P2	GPIO_4	A11	GPIO_42	B5
DDR_CKE	U3	GPIO_5	B11	GPIO_43	A4
DDR_CKn	P1	GPIO_6	C11	GPIO_44	B6
DDR_DQ0	K1	GPIO_7	D11	GPIO_45	A5
DDR_DQ1	K4	GPIO_8	A12	GPIO_46	B7
DDR_DQ2	L2	GPIO_9	B12	GPIO_47	A6
DDR_DQ3	K3	GPIO_10	A13	GPIO_48	A2
DDR_DQ4	L4	GPIO_11	B13	GPIO_49	B2
DDR_DQ5	L1	GPIO_12	C12	GPIO_50	B1
DDR_DQ6	J4	GPIO_13	D12	GPIO_51	C1
DDR_DQ7	K2	GPIO_14	A14	GPIO_52	C2
DDR_DQ8	W3	GPIO_15	B14	GPIO_53	D1
DDR_DQ9	W1	GPIO_16	D16	GPIO_54	D2
DDR_DQ10	V3	GPIO_17	C15	GPIO_55	D3
DDR_DQ11	V2	GPIO_18	D15	GPIO_56	B20
DDR_DQ12	V1	GPIO_19	D8	GPIO_57	A20
DDR_DQ13	V4	GPIO_20	A9	GPIO_58	B21

Pins by name (continued)

GPIO_59	A21	REFCLK2_SEL0	E4	S6_RXP	AE8
GPIO_60	D20	REFCLK2_SEL1	E3	S6_TXN	AD8
GPIO_61	C20	REFCLK2_SEL2	E2	S6_TXP	AC8
GPIO_62	D19	RESERVED_0	C13	S7_RXN	AF9
GPIO_63	C19	RESERVED_1	F3	S7_RXP	AE9
HS_TST_N	N23	RESERVED_2	F2	S7_TXN	AD9
HS_TST_P	N22	RESERVED_3	F1	S7_TXP	AC9
JTAG_ICE_nEN	A17	RESERVED_4	AA25	S8_RXN	AF10
JTAG_nTRST	D23	RESERVED_70	U22	S8_RXP	AE10
JTAG_TCK	C26	RESERVED_71	U23	S8_TXN	AD10
JTAG_TDI	C24	RESERVED_72	T25	S8_TXP	AC10
JTAG_TDO	C25	RESERVED_73	T26	S9_RXN	AF11
JTAG_TMS	D22	RESERVED_74	P26	S9_RXP	AE11
MDC0	AC1	RESERVED_75	P25	S9_TXN	AD11
MDIO0	AB1	RESERVED_76	R23	S9_TXP	AC11
NC_1	B19	RESERVED_77	R22	S10_RXN	AF12
NC_2	C18	S0_RXN	AE1	S10_RXP	AE12
NC_3	B17	S0_RXP	AE2	S10_TXN	AD12
NC_4	G3	S0_TXN	AD1	S10_TXP	AC12
NC_5	H2	S0_TXP	AD2	S11_RXN	AF13
NC_6	AA2	S1_RXN	AF3	S11_RXP	AE13
NC_7	AA3	S1_RXP	AE3	S11_TXN	AD13
NC_8	AF2	S1_TXN	AD3	S11_TXP	AC13
NC_9	B24	S1_TXP	AC3	S12_RXN	AF14
nRESET	A19	S2_RXN	AF4	S12_RXP	AE14
PCIE_RXN	B26	S2_RXP	AE4	S12_TXN	AD14
PCIE_RXP	B25	S2_TXN	AD4	S12_TXP	AC14
PCIE_TXN	B23	S2_TXP	AC4	S13_RXN	AF15
PCIE_TXP	B22	S3_RXN	AF5	S13_RXP	AE15
RCVRD_CLK0	C22	S3_RXP	AE5	S13_TXN	AD15
RCVRD_CLK1	C23	S3_TXN	AD5	S13_TXP	AC15
RCVRD_CLK2	C21	S3_TXP	AC5	S14_RXN	AF16
RCVRD_CLK3	D18	S4_RXN	AF6	S14_RXP	AE16
REFCLK_N	M26	S4_RXP	AE6	S14_TXN	AD16
REFCLK_P	M25	S4_TXN	AD6	S14_TXP	AC16
REFCLK_SEL0	D17	S4_TXP	AC6	S15_RXN	AF17
REFCLK_SEL1	C16	S5_RXN	AF7	S15_RXP	AE17
REFCLK_SEL2	C17	S5_RXP	AE7	S15_TXN	AD17
REFCLK2_EN	E1	S5_TXN	AD7	S15_TXP	AC17
REFCLK2_N	A25	S5_TXP	AC7	S16_RXN	AF18
REFCLK2_P	A24	S6_RXN	AF8	S16_RXP	AE18

Pins by name (continued)

S16_TXN	AD18	S26_TXP	L22	VDD_1	C14
S16_TXP	AC18	S27_RXN	J26	VDD_2	G8
S17_RXN	AF19	S27_RXP	J25	VDD_3	G9
S17_RXP	AE19	S27_TXN	K23	VDD_4	G11
S17_TXN	AD19	S27_TXP	K22	VDD_5	G12
S17_TXP	AC19	S28_RXN	H26	VDD_6	G15
S18_RXN	AF20	S28_RXP	H25	VDD_7	G16
S18_RXP	AE20	S28_TXN	J23	VDD_8	G18
S18_TXN	AD20	S28_TXP	J22	VDD_9	G19
S18_TXP	AC20	S29_RXN	G26	VDD_10	H8
S19_RXN	AF21	S29_RXP	G25	VDD_11	H9
S19_RXP	AE21	S29_TXN	H23	VDD_12	H11
S19_TXN	AD21	S29_TXP	H22	VDD_13	H12
S19_TXP	AC21	S30_RXN	F26	VDD_14	H15
S20_RXN	AF22	S30_RXP	F25	VDD_15	H16
S20_RXP	AE22	S30_TXN	G23	VDD_16	H18
S20_TXN	AD22	S30_TXP	G22	VDD_17	H19
S20_TXP	AC22	S31_RXN	E26	VDD_18	K8
S21_RXN	AF23	S31_RXP	E25	VDD_19	K9
S21_RXP	AE23	S31_TXN	F23	VDD_20	K11
S21_TXN	AD23	S31_TXP	F22	VDD_21	K12
S21_TXP	AC23	S32_RXN	D26	VDD_22	K15
S22_RXN	AF24	S32_RXP	D25	VDD_23	K16
S22_RXP	AE24	S32_TXN	E23	VDD_24	K18
S22_TXN	AD24	S32_TXP	E22	VDD_25	K19
S22_TXP	AC24	S33_RXN	Y26	VDD_26	L8
S23_RXN	AF25	S33_RXP	Y25	VDD_27	L9
S23_RXP	AE25	S33_TXN	AA23	VDD_28	L11
S23_TXN	AD25	S33_TXP	AA22	VDD_29	L12
S23_TXP	AC25	S34_RXN	V26	VDD_30	L15
S24_RXN	AE26	S34_RXP	V25	VDD_31	L16
S24_RXP	AD26	S34_TXN	W23	VDD_32	L18
S24_TXN	AC26	S34_TXP	W22	VDD_33	L19
S24_TXP	AB26	SERDES_Rext_0	AB4	VDD_34	P8
S25_RXN	L26	SERDES_Rext_1	AB3	VDD_35	P9
S25_RXP	L25	SI_CLK	A15	VDD_36	P11
S25_TXN	M23	SI_DI	A16	VDD_37	P12
S25_TXP	M22	SI_DO	B15	VDD_38	P15
S26_RXN	K26	SI_nCS0	B16	VDD_39	P16
S26_RXP	K25	THERMDA	A18	VDD_40	P18
S26_TXN	L23	THERMDC	B18	VDD_41	P19

Pins by name (continued)

VDD_42	R8	VDD_A_18	Y19	VDD_IODDR_11	V5
VDD_43	R9	VDD_HS_1	P22	VDD_IODDR_12	V6
VDD_44	R11	VDD_HS_2	P23	VDD_IODDR_13	Y5
VDD_45	R12	VDD_HS_3	T22	VDD_IODDR_14	Y6
VDD_46	R15	VDD_HS_4	T23	VDD_IOMIIM0	AC2
VDD_47	R16	VDD_HS_5	V22	VDD_ref25_0	W20
VDD_48	R18	VDD_HS_6	V23	VDD_ref25_1	Y20
VDD_49	R19	VDD_HS_7	Y22	VDD_ref25_2	AA20
VDD_50	U8	VDD_HS_8	Y23	VDD_S_1	AA8
VDD_51	U9	VDD_IO_1	D21	VDD_S_2	AA9
VDD_52	U11	VDD_IO_2	E6	VDD_S_3	AA11
VDD_53	U12	VDD_IO_3	E8	VDD_S_4	AA12
VDD_54	U15	VDD_IO_4	E9	VDD_S_5	AB8
VDD_55	U16	VDD_IO_5	E11	VDD_S_6	AB9
VDD_56	U18	VDD_IO_6	E12	VDD_S_7	AB11
VDD_57	U19	VDD_IO_7	E15	VDD_S_8	AB12
VDD_58	V8	VDD_IO_8	E16	VDD_V1_1	P20
VDD_59	V9	VDD_IO_9	E20	VDD_V1_2	P21
VDD_60	V11	VDD_IO_10	E21	VDD_V1_3	R20
VDD_61	V12	VDD_IO_11	F8	VDD_V1_4	R21
VDD_62	V15	VDD_IO_12	F9	VDD_V1_5	U21
VDD_63	V16	VDD_IO_13	F11	VDD_V1_6	V21
VDD_64	V18	VDD_IO_14	F12	VDD_V1_7	AA15
VDD_65	V19	VDD_IO_15	F15	VDD_V1_8	AA16
VDD_A_1	U20	VDD_IO_16	F16	VDD_V1_9	AA18
VDD_A_2	V20	VDD_IO_17	F20	VDD_V1_10	AA19
VDD_A_3	W8	VDD_IO_18	F21	VDD_V1_11	AB15
VDD_A_4	W9	VDD_IO_19	G5	VDD_V1_12	AB16
VDD_A_5	W11	VDD_IO_20	G6	VDD_V1_13	AB18
VDD_A_6	W12	VDD_IO_21	H5	VDD_V1_14	AB19
VDD_A_7	W15	VDD_IO_22	H6	VDD_V2_1	G20
VDD_A_8	W16	VDD_IODDR_1	K5	VDD_V2_2	G21
VDD_A_9	W18	VDD_IODDR_2	K6	VDD_V2_3	H20
VDD_A_10	W19	VDD_IODDR_3	L5	VDD_V2_4	H21
VDD_A_11	Y8	VDD_IODDR_4	L6	VDD_V2_5	K20
VDD_A_12	Y9	VDD_IODDR_5	P5	VDD_V2_6	K21
VDD_A_13	Y11	VDD_IODDR_6	P6	VDD_V2_7	L20
VDD_A_14	Y12	VDD_IODDR_7	R5	VDD_V2_8	L21
VDD_A_15	Y15	VDD_IODDR_8	R6	VSS_1	D13
VDD_A_16	Y16	VDD_IODDR_9	U5	VSS_2	D14
VDD_A_17	Y18	VDD_IODDR_10	U6	VSS_3	D24

Pins by name (continued)

VSS_4	E5	VSS_45	J13	VSS_86	N6
VSS_5	E7	VSS_46	J14	VSS_87	N7
VSS_6	E10	VSS_47	J15	VSS_88	N8
VSS_7	E13	VSS_48	J16	VSS_89	N9
VSS_8	E14	VSS_49	J17	VSS_90	N10
VSS_9	E17	VSS_50	J18	VSS_91	N11
VSS_10	E18	VSS_51	J19	VSS_92	N12
VSS_11	E19	VSS_52	J20	VSS_93	N13
VSS_12	E24	VSS_53	J21	VSS_94	N14
VSS_13	F4	VSS_54	J24	VSS_95	N15
VSS_14	F5	VSS_55	K7	VSS_96	N16
VSS_15	F6	VSS_56	K10	VSS_97	N17
VSS_16	F7	VSS_57	K13	VSS_98	N18
VSS_17	F10	VSS_58	K14	VSS_99	N19
VSS_18	F13	VSS_59	K17	VSS_100	N20
VSS_19	F14	VSS_60	K24	VSS_101	N21
VSS_20	F17	VSS_61	L7	VSS_102	N24
VSS_21	F18	VSS_62	L10	VSS_103	N25
VSS_22	F19	VSS_63	L13	VSS_104	N26
VSS_23	F24	VSS_64	L14	VSS_105	P7
VSS_24	G4	VSS_65	L17	VSS_106	P10
VSS_25	G7	VSS_66	L24	VSS_107	P13
VSS_26	G10	VSS_67	M5	VSS_108	P14
VSS_27	G13	VSS_68	M6	VSS_109	P17
VSS_28	G14	VSS_69	M7	VSS_110	P24
VSS_29	G17	VSS_70	M8	VSS_111	R10
VSS_30	G24	VSS_71	M9	VSS_112	R7
VSS_31	H7	VSS_72	M10	VSS_113	R13
VSS_32	H10	VSS_73	M11	VSS_114	R14
VSS_33	H13	VSS_74	M12	VSS_115	R17
VSS_34	H14	VSS_75	M13	VSS_116	R24
VSS_35	H17	VSS_76	M14	VSS_117	R25
VSS_36	H24	VSS_77	M15	VSS_118	R26
VSS_37	J5	VSS_78	M16	VSS_119	T5
VSS_38	J6	VSS_79	M17	VSS_120	T6
VSS_39	J7	VSS_80	M18	VSS_121	T7
VSS_40	J8	VSS_81	M19	VSS_122	T8
VSS_41	J9	VSS_82	M20	VSS_123	T9
VSS_42	J10	VSS_83	M21	VSS_124	T10
VSS_43	J11	VSS_84	M24	VSS_125	T11
VSS_44	J12	VSS_85	N5	VSS_126	T12

Pins by name (continued)

VSS_127	T13	VSS_168	Y24
VSS_128	T14	VSS_169	AA4
VSS_129	T15	VSS_170	AA5
VSS_130	T16	VSS_171	AA6
VSS_131	T17	VSS_172	AA7
VSS_132	T18	VSS_173	AA10
VSS_133	T19	VSS_174	AA13
VSS_134	T20	VSS_175	AA14
VSS_135	T21	VSS_176	AA17
VSS_136	T24	VSS_177	AA21
VSS_137	U7	VSS_178	AA24
VSS_138	U10	VSS_179	AA26
VSS_139	U13	VSS_180	AB5
VSS_140	U14	VSS_181	AB6
VSS_141	U17	VSS_182	AB7
VSS_142	U24	VSS_183	AB10
VSS_143	U25	VSS_184	AB13
VSS_144	U26	VSS_185	AB14
VSS_145	V7	VSS_186	AB17
VSS_146	V10	VSS_187	AB20
VSS_147	V13	VSS_188	AB21
VSS_148	V14	VSS_189	AB22
VSS_149	V17	VSS_190	AB23
VSS_150	V24	VSS_191	AB24
VSS_151	W5	VSS_192	AB25
VSS_152	W6		
VSS_153	W7		
VSS_154	W10		
VSS_155	W13		
VSS_156	W14		
VSS_157	W17		
VSS_158	W21		
VSS_159	W24		
VSS_160	W25		
VSS_161	W26		
VSS_162	Y7		
VSS_163	Y10		
VSS_164	Y13		
VSS_165	Y14		
VSS_166	Y17		
VSS_167	Y21		

9 Pin Descriptions for VSC7448-02



The VSC7448-02 device has 672 pins, which are described in this section.

The pin information is also provided as an attached Microsoft Excel file, so that you can copy it electronically. In Adobe Reader, double-click the attachment icon.

9.1 Pin Diagram for VSC7448-02

The following illustration is a representation of the VSC7448-02 device, as seen from the top view looking through the device. For clarity, the device is shown in two halves, the top left and the top right.

Figure 145 • Pin Diagram for VSC7448-02, Top Left

	1	2	3	4	5	6	7	8	9	10	11	12	13
A		GPIO_48	GPIO_41	GPIO_43	GPIO_45	GPIO_47	GPIO_36	GPIO_35	GPIO_20	GPIO_0	GPIO_4	GPIO_8	GPIO_10
B	GPIO_50	GPIO_49	GPIO_32	GPIO_40	GPIO_42	GPIO_44	GPIO_46	GPIO_34	GPIO_21	GPIO_1	GPIO_5	GPIO_9	GPIO_11
C	GPIO_51	GPIO_52	GPIO_33	GPIO_30	GPIO_28	GPIO_26	GPIO_24	GPIO_37	GPIO_22	GPIO_2	GPIO_6	GPIO_12	RESERVED_0
D	GPIO_53	GPIO_54	GPIO_55	GPIO_31	GPIO_29	GPIO_27	GPIO_25	GPIO_19	GPIO_23	GPIO_3	GPIO_7	GPIO_13	VSS_1
E	REFCLK2_EN	REFCLK2_SEL2	REFCLK2_SEL1	REFCLK2_SEL0	VSS_4	VDD_IO_2	VSS_5	VDD_IO_3	VDD_IO_4	VSS_6	VDD_IO_5	VDD_IO_6	VSS_7
F	RESERVED_3	RESERVED_2	RESERVED_1	VSS_13	VSS_14	VSS_15	VSS_16	VDD_IO_11	VDD_IO_12	VSS_17	VDD_IO_13	VDD_IO_14	VSS_18
G	DDR_A15	DDR_A14	NC_4	VSS_24	VDD_IO_19	VDD_IO_20	VSS_25	VDD_2	VDD_3	VSS_26	VDD_4	VDD_5	VSS_27
H	DDR_nCS0	NC_5	GPIO_38	GPIO_39	VDD_IO_21	VDD_IO_22	VSS_31	VDD_10	VDD_11	VSS_32	VDD_12	VDD_13	VSS_33
J	DDR_LDQS	DDR_LDQSn	DDR_LDM	DDR_DQ6	VSS_37	VSS_38	VSS_39	VSS_40	VSS_41	VSS_42	VSS_43	VSS_44	VSS_45
K	DDR_DQ0	DDR_DQ7	DDR_DQ3	DDR_DQ1	VDD_IODDR_1	VDD_IODDR_2	VSS_55	VDD_18	VDD_19	VSS_56	VDD_20	VDD_21	VSS_57
L	DDR_DQ5	DDR_DQ2	DDR_nRAS	DDR_DQ4	VDD_IODDR_3	VDD_IODDR_4	VSS_61	VDD_26	VDD_27	VSS_62	VDD_28	VDD_29	VSS_63
M	DDR_A0	DDR_ODT0	DDR_A2	DDR_nCAS	VSS_67	VSS_68	VSS_69	VSS_70	VSS_71	VSS_72	VSS_73	VSS_74	VSS_75
N	DDR_A8	DDR_A4	DDR_nWE	DDR_A6	VSS_85	VSS_86	VSS_87	VSS_88	VSS_89	VSS_90	VSS_91	VSS_92	VSS_93
P	DDR_CkN	DDR_CK	DDR_A11	DDR_A13	VDD_IODDR_5	VDD_IODDR_6	VSS_105	VDD_34	VDD_35	VSS_106	VDD_36	VDD_37	VSS_107
R	DDR_A12	DDR_A7	DDR_A9	DDR_A5	VDD_IODDR_7	VDD_IODDR_8	VSS_112	VDD_42	VDD_43	VSS_111	VDD_44	VDD_45	VSS_113
T	DDR_A3	DDR_A10	DDR_A1	DDR_BA1	VSS_119	VSS_120	VSS_121	VSS_122	VSS_123	VSS_124	VSS_125	VSS_126	VSS_127
U	DDR_BA0	DDR_BA2	DDR_CKE	DDR_ODT1	VDD_IODDR_9	VDD_IODDR_10	VSS_137	VDD_50	VDD_51	VSS_138	VDD_52	VDD_53	VSS_139
V	DDR_DQ12	DDR_DQ11	DDR_DQ10	DDR_DQ13	VDD_IODDR_11	VDD_IODDR_12	VSS_145	VDD_58	VDD_59	VSS_146	VDD_60	VDD_61	VSS_147
W	DDR_DQ9	DDR_DQ14	DDR_DQ8	DDR_DQ15	VSS_151	VSS_152	VSS_153	VDD_A_3	VDD_A_4	VSS_154	VDD_A_5	VDD_A_6	VSS_155
Y	DDR_Rext	DDR_UDM	DDR_UDQS	DDR_UDQSn	VDD_IODDR_13	VDD_IODDR_14	VSS_162	VDD_A_11	VDD_A_12	VSS_163	VDD_A_13	VDD_A_14	VSS_164
AA	DDR_nCS1	NC_6	NC_7	VSS_169	VSS_170	VSS_171	VSS_172	VDD_S_1	VDD_S_2	VSS_173	VDD_S_3	VDD_S_4	VSS_174
AB	MDIO0	DDR_Vref	SERDES_Rext_1	SERDES_Rext_0	VSS_180	VSS_181	VSS_182	VDD_S_5	VDD_S_6	VSS_183	VDD_S_7	VDD_S_8	VSS_184
AC	MDC0	VDD_IOMIIM0	S1_TXP	S2_TXP	S3_TXP	S4_TXP	S5_TXP	S6_TXP	S7_TXP	S8_TXP	S9_TXP	S10_TXP	S11_TXP
AD	S0_TXN	S0_TXP	S1_TXN	S2_TXN	S3_TXN	S4_TXN	S5_TXN	S6_TXN	S7_TXN	S8_TXN	S9_TXN	S10_TXN	S11_TXN
AE	S0_RXN	S0_RXP	S1_RXP	S2_RXP	S3_RXP	S4_RXP	S5_RXP	S6_RXP	S7_RXP	S8_RXP	S9_RXP	S10_RXP	S11_RXP
AF		NC_8	S1_RXN	S2_RXN	S3_RXN	S4_RXN	S5_RXN	S6_RXN	S7_RXN	S8_RXN	S9_RXN	S10_RXN	S11_RXN

Figure 146 • Pin Diagram for VSC7448-02, Top Right

14	15	16	17	18	19	20	21	22	23	24	25	26	
GPIO_14	SI_CLK	SI_DI	JTAG_JCE_nEN	THERMDA	nRESET	GPIO_57	GPIO_59	CLKOUT2_P	CLKOUT2_N	REFCLK2_P	REFCLK2_N		A
GPIO_15	SI_DO	SI_nCS0	NC_3	THERMDC	NC_1	GPIO_56	GPIO_58	PCIE_TXP	PCIE_TXN	NC_9	PCIE_RXP	PCIE_RXN	B
VDD_1	GPIO_17	REFCLK_SEL1	REFCLK_SEL2	NC_2	GPIO_63	GPIO_61	RCVRD_CLK2	RCVRD_CLK0	RCVRD_CLK1	JTAG_TDI	JTAG_TDO	JTAG_TCK	C
VSS_2	GPIO_18	GPIO_16	REFCLK_SELO	RCVRD_CLK3	GPIO_62	GPIO_60	VDD_IO_1	JTAG_TMS	JTAG_nTRST	VSS_3	S32_RXP	S32_RXN	D
VSS_8	VDD_IO_7	VDD_IO_8	VSS_9	VSS_10	VSS_11	VDD_IO_9	VDD_IO_10	S32_TXP	S32_TXN	VSS_12	S31_RXP	S31_RXN	E
VSS_19	VDD_IO_15	VDD_IO_16	VSS_20	VSS_21	VSS_22	VDD_IO_17	VDD_IO_18	S31_TXP	S31_TXN	VSS_23	S30_RXP	S30_RXN	F
VSS_28	VDD_6	VDD_7	VSS_29	VDD_8	VDD_9	VDD_V2_1	VDD_V2_2	S30_TXP	S30_TXN	VSS_30	S29_RXP	S29_RXN	G
VSS_34	VDD_14	VDD_15	VSS_35	VDD_16	VDD_17	VDD_V2_3	VDD_V2_4	S29_TXP	S29_TXN	VSS_36	S28_RXP	S28_RXN	H
VSS_46	VSS_47	VSS_48	VSS_49	VSS_50	VSS_51	VSS_52	VSS_53	S28_TXP	S28_TXN	VSS_54	S27_RXP	S27_RXN	J
VSS_58	VDD_22	VDD_23	VSS_59	VDD_24	VDD_25	VDD_V2_5	VDD_V2_6	S27_TXP	S27_TXN	VSS_60	S26_RXP	S26_RXN	K
VSS_64	VDD_30	VDD_31	VSS_65	VDD_32	VDD_33	VDD_V2_7	VDD_V2_8	S26_TXP	S26_TXN	VSS_66	S25_RXP	S25_RXN	L
VSS_76	VSS_77	VSS_78	VSS_79	VSS_80	VSS_81	VSS_82	VSS_83	S25_TXP	S25_TXN	VSS_84	REFCLK_P	REFCLK_N	M
VSS_94	VSS_95	VSS_96	VSS_97	VSS_98	VSS_99	VSS_100	VSS_101	HS_TST_P	HS_TST_N	VSS_102	VSS_103	VSS_104	N
VSS_108	VDD_38	VDD_39	VSS_109	VDD_40	VDD_41	VDD_V1_1	VDD_V1_2	VDD_HS_1	VDD_HS_2	VSS_110	S36_RXP	S36_RXN	P
VSS_114	VDD_46	VDD_47	VSS_115	VDD_48	VDD_49	VDD_V1_3	VDD_V1_4	S36_TXP	S36_TXN	VSS_116	VSS_117	VSS_118	R
VSS_128	VSS_129	VSS_130	VSS_131	VSS_132	VSS_133	VSS_134	VSS_135	VDD_HS_3	VDD_HS_4	VSS_136	S35_RXP	S35_RXN	T
VSS_140	VDD_54	VDD_55	VSS_141	VDD_56	VDD_57	VDD_A_1	VDD_V1_5	S35_TXP	S35_TXN	VSS_142	VSS_143	VSS_144	U
VSS_148	VDD_62	VDD_63	VSS_149	VDD_64	VDD_65	VDD_A_2	VDD_V1_6	VDD_HS_5	VDD_HS_6	VSS_150	S34_RXP	S34_RXN	V
VSS_156	VDD_A_7	VDD_A_8	VSS_157	VDD_A_9	VDD_A_10	VDD_ref25_0	VSS_158	S34_TXP	S34_TXN	VSS_159	VSS_160	VSS_161	W
VSS_165	VDD_A_15	VDD_A_16	VSS_166	VDD_A_17	VDD_A_18	VDD_ref25_1	VSS_167	VDD_HS_7	VDD_HS_8	VSS_168	S33_RXP	S33_RXN	Y
VSS_175	VDD_V1_7	VDD_V1_8	VSS_176	VDD_V1_9	VDD_V1_10	VDD_ref25_2	VSS_177	S33_TXP	S33_TXN	VSS_178	RESERVED_4	VSS_179	AA
VSS_185	VDD_V1_11	VDD_V1_12	VSS_186	VDD_V1_13	VDD_V1_14	VSS_187	VSS_188	VSS_189	VSS_190	VSS_191	VSS_192	S24_TXP	AB
S12_TXP	S13_TXP	S14_TXP	S15_TXP	S16_TXP	S17_TXP	S18_TXP	S19_TXP	S20_TXP	S21_TXP	S22_TXP	S23_TXP	S24_TXN	AC
S12_TXN	S13_TXN	S14_TXN	S15_TXN	S16_TXN	S17_TXN	S18_TXN	S19_TXN	S20_TXN	S21_TXN	S22_TXN	S23_TXN	S24_RXP	AD
S12_RXP	S13_RXP	S14_RXP	S15_RXP	S16_RXP	S17_RXP	S18_RXP	S19_RXP	S20_RXP	S21_RXP	S22_RXP	S23_RXP	S24_RXN	AE
S12_RXN	S13_RXN	S14_RXN	S15_RXN	S16_RXN	S17_RXN	S18_RXN	S19_RXN	S20_RXN	S21_RXN	S22_RXN	S23_RXN		AF

9.2 Pins by Function for VSC7448-02

This section contains the functional pin descriptions for the VSC7448-02 device.

The following table lists the definitions for the pin type symbols.

Table 375 • Pin Type Symbol Definitions

Symbol	Pin Type	Description
A	Analog input	Analog input for sensing variable voltage levels.
ABIAS	Analog bias	Analog bias pin.
DIFF	Differential	Differential signal pair.
I	Input	Input signal.
O	Output	Output signal.
I/O	Bidirectional	Bidirectional input or output signal.
O	Output	Output signal.
OZ	3-state output	Output
LVDS	Input or output	Low voltage differential signal
LVCNOS	Input or output	Low voltage CMOS signal

Table 375 • Pin Type Symbol Definitions (continued)

Symbol	Pin Type	Description
PD	Pull-down	On-chip pull-down resistor to VSS.
PU	Pull-up	On-chip pull-up resistor to VDD_IO.
3V		3.3 V-tolerant.
ST	Schmitt-trigger	Input has Schmitt-trigger circuitry.
TD	Termination differential	Internal differential termination.

9.2.1 DDR SDRAM Interface

The following table lists the pins associated with the DDR3/DDR3L SDRAM interface.

Table 376 • DDR3/DDR3L SDRAM Pins

Name	I/O	Type	Description
DDR_A[15:0]	O		SDRAM address outputs. Provide row and column addresses to the SDRAM.
DDR_BA[2:0]	O		SDRAM bank address outputs. DDR_BA[2:0] define to which bank an ACTIVE, READ, WRITE, or PRECHARGE command is applied.
DDR_CK DDR_CKn	O	DIFF	SDRAM differential clock. Differential clock to external SDRAM. DDR_CK is the true part of the differential signal. DDR_CKn is the complement part.
DDR_CKE	O		SDRAM clock enable. 0: Disables clock in external SDRAM. 1: Enables clock in external SDRAM.
DDR_nCS[1:0]	O		SDRAM chip selects. Active low.
DDR_DQ[15:0]	I/O		SDRAM data bus.
DDR_LDM DDR_UDM	O		SDRAM data mask outputs. DDR_LDM and DDR_UDM are mask signals for data written to the SDRAM. DDR_LDM corresponds to data on DDR_DQ[7:0], and DDR_UDM corresponds to data on DDR_DQ[15:8].
DDR_LDQS DDR_LDQSn DDR_UDQS DDR_UDQSn		I/O, DIFF, TD	SDRAM differential data strobes. Bidirectional differential signal that follows data direction. Used by SDRAM to capture data on write operations. Edge-aligned with data from SDRAM during read operations and used by the device to capture data. DDR_LDQS corresponds to data on DDR_DQ[7:0], and DDR_UDQS corresponds to data on DDR_DQ[15:8].
DDR_nRAS DDR_nCAS DDR_nWE	O		SDRAM command outputs. DDR_nRAS, DDR_nCAS, and DDR_nWE (along with DDR_nCS) define the command being entered.
DDR_ODT[1:0]	O	O	Control signals for the attached DDR3/DDR3L SDRAM devices on-die termination.
DDR_Rext		ABIAS	External DDR impedance calibration. Connect the pin through an external 240 Ω \pm 1% resistor to ground.
DDR_Vref		ABIAS	Input reference voltage. Provides the input switching reference voltage to the SSTL DDR signals.

9.2.2 General-Purpose Inputs and Outputs

The following table lists the general-purpose I/O (GPIO) pins. Leave GPIO pins unconnected when not in use.

Many of the GPIO pins serve multiple functions. For more information about the overlaid functions and how to configure them, [GPIO Overlaid Functions](#), page 354.

Table 377 • GPIO Pins

Name	Type	Description
GPIO_[63:0]	I/O, PU, ST, 3V	General-purpose inputs and outputs.

9.2.3 JTAG Interface

The following table lists the pins associated with the JTAG interface. The JTAG interface can be connected to the boundary scan TAP controller or the internal VCore-III TAP controller for software debug as described under the JTAG_ICE_nEN signal.

The JTAG signals are not 5 V tolerant.

Table 378 • JTAG Interface Pins

Name	I/O	Type	Description
JTAG_ICE_nEN	I	PU, ST, 3V	0: Enables VCore-III debug interface over the JTAG interface. 1: Enables normal JTAG I/O over the JTAG interface.
JTAG_nTRST	I	PU, ST, 3V	JTAG test reset, active low. For normal device operation, JTAG_nTRST should be pulled low.
JTAG_TCK	I	ST, 3V	JTAG clock.
JTAG_TDI	I	PU, ST, 3V	JTAG test data in.
JTAG_TDO	O	OZ, 3V	JTAG test data out.
JTAG_TMS	I	PU, ST, 3V	JTAG test mode select.

9.2.4 MII Management Interface

The following table lists the pins associated with the MII Management interface.

Table 379 • MII Management Interface Pins

Name	I/O	Type	Description
MDC0	I/O	3V	Management data clock. MDC0 is sourced by the station management entity (the device) to the PHY as the timing reference for transfer of information on the MDIO0 signal. MDC0 is an aperiodic signal.
MDIO0	I/O	PU, 3V	Management data input/output. MDIO0 is a bidirectional signal between a PHY and the device, used to transfer control and status information. Control information is driven by the device synchronously with respect to MDC0 and is sampled synchronously by the PHY. Status information is driven by the PHY synchronously with respect to MDC0 and is sampled synchronously by the device.

9.2.5 Miscellaneous

The following table lists the pins associated with a particular interface or facility on the device.

Table 380 • Miscellaneous Pins

Name	I/O	Type	Description
nRESET	I	PU, ST, 3V	Global device reset, active low.
RESERVED_0		Analog	Tie to VSS.
RESERVED_4		Analog	
RESERVED_1		Analog	Leave floating.
RESERVED_[3:2]	O	SSTL	Leave floating.
NC_[9:1]			Do not connect. Leave floating.
SERDES_Rext_[1:0]		Analog	Analog bias calibration. Connect an external 620 Ω \pm 1% resistor between SERDES_Rext_1 and SERDES_Rext_0.
THERMDA		Analog	Thermal diode anode (p-junction).
THERMDC		Analog	Thermal diode cathode (n-junction). Connected on-die to V _{SS} .

9.2.6 PCI Express Interface

The following table lists the pins associated with the PCI Express (PCIe) pins.

Table 381 • PCI Express Interface Pins

Name	I/O	Type	Description
PCIE_RXN PCIE_RXP	I	CML, TD	Differential PCIe data inputs.
PCIE_TXN PCIE_TXP	O	CML	Differential PCIe data outputs.

9.2.7 Power Supplies and Ground

The following table lists the power supply and ground pins.

Table 382 • Power Supply and Ground Pins

Name	Type	Description
VDD_[65:1]	Power	1.0 V power supply voltage for core
VDD_A_[18:1]	Power	1.0 V power supply voltage for analog circuits
VDD_HS_[8:1]	Power	1.0 V or 1.2 V power supply for SERDES10G, ports 33 – 36
VDD_IO_[22:1]	Power	3.3 V power supply for GPIOs and miscellaneous I/Os
VDD_IODDR_[14:1]	Power	1.35 V or 1.5 V power supply for DDR3/DDR3L interface
VDD_IOMIIM0	Power	2.5 V or 3.3 V power supply for MIIM interface
VDD_ref25_[2:0]	Power	2.5 V reference supply for SerDes and PLLs
VDD_S_[8:1]	Power	1.0 V or 1.2 V power supply voltage for SERDES1G, ports 0 – 8
VDD_V1_[14:1]	Power	1.0 V or 1.2 V power supply for SERDES6G ports, 9 – 24
VDD_V2_[8:1]	Power	1.0 V or 1.2 V power supply for SERDES6G ports, 25 – 32 and PCIe
VSS_[192:1]	Ground	Ground reference

9.2.8 SERDES1G

The following table lists the pins that use the SERDES1G differential macro. For information about the protocols and data rates supported by the SERDES1G macro, see [Supported Port Interfaces](#), page 27.

Table 383 • SERDES1G Pins

Name	I/O	Type	Description
S0_RXN S0_RXP	I	LVDS, TD	Differential 1G NPI data inputs.
S0_TXN S0_TXP	O	LVDS	Differential 1G NPI data outputs.
S[8:1]_RXN S[8:1]_RXP	I	LVDS, TD	Differential 1G data inputs.
S[8:1]_TXN S[8:1]_TXP	O	LVDS	Differential 1G data outputs.

9.2.9 SERDES6G

The following table lists the pins that use the SERDES6G differential macro. The port numbers for QSGMII, XAUI, and RXAUI is represented by *n*. For information about the protocols and data rates supported by the SERDES6G macro, see [Supported Port Interfaces](#), page 27.

Table 384 • SERDES6G Pins

Name	I/O	Type	Description
S[12:9]_RXN S[12:9]_RXP	I	CML, TD	Differential data inputs. 2.5G/1G
S[12:9]_TXN S[12:9]_TXP	O	CML	Differential data outputs. 2.5G/1G
S13_RXN S13_RXP	I	CML, TD	Differential data inputs. QSGMII0/2.5G/1G
S13_TXN S13_TXP	O	CML	Differential data outputs. QSGMII0/2.5G/1G
S14_RXN S14_RXP	I	CML, TD	Differential data inputs. QSGMII1/2.5G/1G
S14_TXN S14_TXP	O	CML	Differential data outputs. QSGMII1/2.5G/1G
S15_RXN S15_RXP	I	CML, TD	Differential data inputs. QSGMII2/2.5G/1G
S15_TXN S15_TXP	O	CML	Differential data outputs. QSGMII2/2.5G/1G
S16_RXN S16_RXP	I	CML, TD	Differential data inputs. QSGMII3/2.5G/1G
S16_TXN S16_TXP	O	CML	Differential data outputs. QSGMII3/2.5G/1G
S17_RXN S17_RXP	I	CML, TD	Differential data inputs. QSGMII4/RXAUI2/XAUI2/2.5G/1G
S17_TXN S17_TXP	O	CML	Differential data outputs. QSGMII4/RXAUI2/XAUI2/2.5G/1G

Table 384 • SERDES6G Pins (continued)

Name	I/O	Type	Description
S18_RXN S18_RXP	I	CML, TD	Differential data inputs. QSGMII5/XAUI2/2.5G/1G
S18_TXN S18_TXP	O	CML	Differential data outputs. QSGMII5/XAUI2/2.5G/1G
S19_RXN S19_RXP	I	CML, TD	Differential data inputs. QSGMII6/RXAUI2/XAUI2/2.5G/1G
S19_TXN S19_TXP	O	CML	Differential data outputs. QSGMII6/RXAUI2/XAUI2/2.5G/1G
S20_RXN S20_RXP	I	CML, TD	Differential data inputs. QSGMII7/XAUI2/2.5G/1G
S20_TXN S20_TXP	O	CML	Differential data outputs. QSGMII7/XAUI2/2.5G/1G
S21_RXN S21_RXP	I	CML, TD	Differential data inputs. QSGMII8/RXAUI3/XAUI3/2.5G/1G
S21_TXN S21_TXP	O	CML	Differential data outputs. QSGMII8/RXAUI3/XAUI3/2.5G/1G
S22_RXN S22_RXP	I	CML, TD	Differential data inputs. QSGMII9/XAUI3/2.5G/1G
S22_TXN S22_TXP	O	CML	Differential data outputs. QSGMII9/XAUI3/2.5G/1G
S23_RXN S23_RXP	I	CML, TD	Differential data inputs. QSGMII10/RXAUI3/XAUI3/2.5G/1G
S23_TXN S23_TXP	O	CML	Differential data outputs. QSGMII10/RXAUI3/XAUI3/2.5G/1G
S24_RXN S24_RXP	I	CML, TD	Differential data inputs. QSGMII11/XAUI3/2.5G/1G
S24_TXN S24_TXP	O	CML	Differential data outputs. QSGMII11/XAUI3/2.5G/1G
S25_RXN S25_RXP	I	CML, TD	Differential data inputs. RXAUI0/XAUI0/2.5G/1G
S25_TXN S25_TXP	O	CML	Differential data outputs. RXAUI0/XAUI0/2.5G/1G
S26_RXN S26_RXP	I	CML, TD	Differential data inputs. XAUI0/2.5G/1G
S26_TXN S26_TXP	O	CML	Differential data outputs. XAUI0/2.5G/1G
S27_RXN S27_RXP	I	CML, TD	Differential data inputs. RXAUI0/XAUI0/2.5G/1G
S27_TXN S27_TXP	O	CML	Differential data outputs. RXAUI0/XAUI0/2.5G/1G
S28_RXN S28_RXP	I	CML, TD	Differential data inputs. XAUI0/2.5G/1G
S28_TXN S28_TXP	O	CML	Differential data outputs. XAUI0/2.5G/1G

Table 384 • SERDES6G Pins (continued)

Name	I/O	Type	Description
S29_RXN S29_RXP	I	CML, TD	Differential data inputs. RXAU11/XAU11/2.5G/1G
S29_TXN S29_TXP	O	CML	Differential data outputs. RXAU11/XAU11/2.5G/1G
S30_RXN S30_RXP	I	CML, TD	Differential data inputs. XAU11/2.5G/1G
S30_TXN S30_TXP	O	CML	Differential data outputs. XAU11/2.5G/1G
S31_RXN S31_RXP	I	CML, TD	Differential data inputs. RXAU11/XAU11/2.5G/1G
S31_TXN S31_TXP	O	CML	Differential data outputs. RXAU11/XAU11/2.5G/1G
S32_RXN S32_RXP	I	CML, TD	Differential data inputs. XAU11/2.5G/1G
S32_TXN S32_TXP	O	CML	Differential data outputs. XAU11/2.5G/1G

9.2.10 SERDES10G

The following table lists the pins that use the SERDES10G differential macro. For information about the protocols and data rates supported by the SERDES10G macro, see [Supported Port Interfaces](#), page 27.

Table 385 • SERDES10G Pins

Name	I/O	Type	Description
S[36:33]_RXN S[36:33]_RXP	I	CML, TD	Differential data inputs. 10G/2.5G/1G
S[36:33]_TXN S[36:33]_TXP	O	CML	Differential data outputs. 10G/2.5G/1G

9.2.11 Serial CPU Interface

The serial CPU interface (SI) can be used as a serial slave, master, or boot interface.

As a slave interface, it allows external CPUs to access internal registers. As a master interface, it allows the device to access external devices using a programmable protocol. The serial CPU interface also allows the internal VCore-III CPU system to boot from an attached serial memory device when the VCore_CFG signals are set appropriately.

The following table lists the pins associated with the serial CPU interface.

Table 386 • Serial CPU Interface Pins

Name	I/O	Type	Description
SI_CLK	I/O	PU, ST, 3V, LVCMOS	Slave mode: Input receiving serial interface clock from external master. Master mode: Output driven with clock to external device. Boot mode: Output driven with clock to external serial memory device.
SI_DI	I	PU, ST, 3V, LVCMOS	Slave mode: Input receiving serial interface data from external master. Master mode: Input data from external device. Boot mode: Input boot data from external serial memory device.

Table 386 • Serial CPU Interface Pins (continued)

Name	I/O	Type	Description
SI_DO	O	OZ, PU, 3V, LVCMOS	Slave mode: Output transmitting serial interface data to external master. Master mode: Output data to external device. Boot mode: Output boot control data to external serial memory device.
SI_nCS0	I/O	PU, ST, 3V, LVCMOS	Slave mode: Input used to enable SI slave interface. 0 = Enabled 1 = Disabled Master mode: Output driven low while accessing external device. Boot mode: Output driven low while booting from EEPROM or serial flash to internal VCore-III CPU system. Released when booting is completed.

9.2.12 System Clock Interface

The following table lists the pins associated with the system clock interface.

Table 387 • System Clock Interface Pins

Name	I/O	Type	Description
CLKOUT2_N CLKOUT2_P	O	LVDS	PLL2 clock output. Leave floating if not used.
HS_TST_N HS_TST_P	O	LVDS	PLL test output. Connect to test point.
RCVRD_CLK[3:0]		OZ, LVCMOS	The output clock frequency can be between 25 MHz and 161 MHz, based on the selected active recovered media programmed for this pin and the divider configuration. These pins are not active when nRESET is asserted. Clock outputs can be enabled or disabled from registers. When disabled, the pin is held low.
REFCLK2_EN	I	PD, LVCMOS	Reference clock frequency enable.
REFCLK_SEL[2:0] REFCLK2_SEL[2:0]	I	PD, 3V, LVCMOS	Reference clock frequency selection. 0: Connect to pull-down or leave floating. 1: Connect to pull-up to V_{DD_IO33} . Coding: 000: 125 MHz (default). 001: 156.25 MHz. 010: 250 MHz. 011: Reserved. 100: 25 MHz (REFCLK2_SEL[2:0] only). 101: Reserved. 110: Reserved. 111: Reserved.
REFCLK_N REFCLK_P REFCLK2_N REFCLK2_P	I	LVDS, TD, LVCMOS	Reference clock inputs. The inputs can be either differential or single-ended. In differential mode (LVDS), REFCLK_P/REFCLK2_P is the true part of the differential signal, and REFCLK_N/REFCLK2_N is the complement part of the differential signal. In single-ended mode (LVCMOS), REFCLK_P/REFCLK2_P is used as single-ended LVTTTL input. REFCLK_N/REFCLK2_N should be left floating, and the PLL registers must be configured for single-ended operation. Required applied frequency depends on REFCLK_SEL[2:0] and REFCLK2_SEL[2:0] input state.

9.3 Pins by Number for VSC7448-02

This section provides a numeric list of the VSC7448-02 pins.

A2	GPIO_48	AA15	VDD_V1_7	AC1	MDC0
A3	GPIO_41	AA16	VDD_V1_8	AC2	VDD_IOMIIM0
A4	GPIO_43	AA17	VSS_176	AC3	S1_TXP
A5	GPIO_45	AA18	VDD_V1_9	AC4	S2_TXP
A6	GPIO_47	AA19	VDD_V1_10	AC5	S3_TXP
A7	GPIO_36	AA20	VDD_ref25_2	AC6	S4_TXP
A8	GPIO_35	AA21	VSS_177	AC7	S5_TXP
A9	GPIO_20	AA22	S33_TXP	AC8	S6_TXP
A10	GPIO_0	AA23	S33_TXN	AC9	S7_TXP
A11	GPIO_4	AA24	VSS_178	AC10	S8_TXP
A12	GPIO_8	AA25	RESERVED_4	AC11	S9_TXP
A13	GPIO_10	AA26	VSS_179	AC12	S10_TXP
A14	GPIO_14	AB1	MDI00	AC13	S11_TXP
A15	SI_CLK	AB2	DDR_Vref	AC14	S12_TXP
A16	SI_DI	AB3	SERDES_Rext_1	AC15	S13_TXP
A17	JTAG_ICE_nEN	AB4	SERDES_Rext_0	AC16	S14_TXP
A18	THERMDA	AB5	VSS_180	AC17	S15_TXP
A19	nRESET	AB6	VSS_181	AC18	S16_TXP
A20	GPIO_57	AB7	VSS_182	AC19	S17_TXP
A21	GPIO_59	AB8	VDD_S_5	AC20	S18_TXP
A22	CLKOUT2_P	AB9	VDD_S_6	AC21	S19_TXP
A23	CLKOUT2_N	AB10	VSS_183	AC22	S20_TXP
A24	REFCLK2_P	AB11	VDD_S_7	AC23	S21_TXP
A25	REFCLK2_N	AB12	VDD_S_8	AC24	S22_TXP
AA1	DDR_nCS1	AB13	VSS_184	AC25	S23_TXP
AA2	NC_6	AB14	VSS_185	AC26	S24_TXN
AA3	NC_7	AB15	VDD_V1_11	AD1	S0_TXN
AA4	VSS_169	AB16	VDD_V1_12	AD2	S0_TXP
AA5	VSS_170	AB17	VSS_186	AD3	S1_TXN
AA6	VSS_171	AB18	VDD_V1_13	AD4	S2_TXN
AA7	VSS_172	AB19	VDD_V1_14	AD5	S3_TXN
AA8	VDD_S_1	AB20	VSS_187	AD6	S4_TXN
AA9	VDD_S_2	AB21	VSS_188	AD7	S5_TXN
AA10	VSS_173	AB22	VSS_189	AD8	S6_TXN
AA11	VDD_S_3	AB23	VSS_190	AD9	S7_TXN
AA12	VDD_S_4	AB24	VSS_191	AD10	S8_TXN
AA13	VSS_174	AB25	VSS_192	AD11	S9_TXN
AA14	VSS_175	AB26	S24_TXP	AD12	S10_TXN

Pins by number (continued)

AD13	S11_TXN	AF3	S1_RXN	B19	NC_1
AD14	S12_TXN	AF4	S2_RXN	B20	GPIO_56
AD15	S13_TXN	AF5	S3_RXN	B21	GPIO_58
AD16	S14_TXN	AF6	S4_RXN	B22	PCIE_TXP
AD17	S15_TXN	AF7	S5_RXN	B23	PCIE_TXN
AD18	S16_TXN	AF8	S6_RXN	B24	NC_9
AD19	S17_TXN	AF9	S7_RXN	B25	PCIE_RXP
AD20	S18_TXN	AF10	S8_RXN	B26	PCIE_RXN
AD21	S19_TXN	AF11	S9_RXN	C1	GPIO_51
AD22	S20_TXN	AF12	S10_RXN	C2	GPIO_52
AD23	S21_TXN	AF13	S11_RXN	C3	GPIO_33
AD24	S22_TXN	AF14	S12_RXN	C4	GPIO_30
AD25	S23_TXN	AF15	S13_RXN	C5	GPIO_28
AD26	S24_RXP	AF16	S14_RXN	C6	GPIO_26
AE1	S0_RXN	AF17	S15_RXN	C7	GPIO_24
AE2	S0_RXP	AF18	S16_RXN	C8	GPIO_37
AE3	S1_RXP	AF19	S17_RXN	C9	GPIO_22
AE4	S2_RXP	AF20	S18_RXN	C10	GPIO_2
AE5	S3_RXP	AF21	S19_RXN	C11	GPIO_6
AE6	S4_RXP	AF22	S20_RXN	C12	GPIO_12
AE7	S5_RXP	AF23	S21_RXN	C13	RESERVED_0
AE8	S6_RXP	AF24	S22_RXN	C14	VDD_1
AE9	S7_RXP	AF25	S23_RXN	C15	GPIO_17
AE10	S8_RXP	B1	GPIO_50	C16	REFCLK_SEL1
AE11	S9_RXP	B2	GPIO_49	C17	REFCLK_SEL2
AE12	S10_RXP	B3	GPIO_32	C18	NC_2
AE13	S11_RXP	B4	GPIO_40	C19	GPIO_63
AE14	S12_RXP	B5	GPIO_42	C20	GPIO_61
AE15	S13_RXP	B6	GPIO_44	C21	RCVRD_CLK2
AE16	S14_RXP	B7	GPIO_46	C22	RCVRD_CLK0
AE17	S15_RXP	B8	GPIO_34	C23	RCVRD_CLK1
AE18	S16_RXP	B9	GPIO_21	C24	JTAG_TDI
AE19	S17_RXP	B10	GPIO_1	C25	JTAG_TDO
AE20	S18_RXP	B11	GPIO_5	C26	JTAG_TCK
AE21	S19_RXP	B12	GPIO_9	D1	GPIO_53
AE22	S20_RXP	B13	GPIO_11	D2	GPIO_54
AE23	S21_RXP	B14	GPIO_15	D3	GPIO_55
AE24	S22_RXP	B15	SI_DO	D4	GPIO_31
AE25	S23_RXP	B16	SI_nCS0	D5	GPIO_29
AE26	S24_RXN	B17	NC_3	D6	GPIO_27
AF2	NC_8	B18	THERMDC	D7	GPIO_25

Pins by number (continued)

D8	GPIO_19	E23	S32_TXN	G12	VDD_5
D9	GPIO_23	E24	VSS_12	G13	VSS_27
D10	GPIO_3	E25	S31_RXP	G14	VSS_28
D11	GPIO_7	E26	S31_RXN	G15	VDD_6
D12	GPIO_13	F1	RESERVED_3	G16	VDD_7
D13	VSS_1	F2	RESERVED_2	G17	VSS_29
D14	VSS_2	F3	RESERVED_1	G18	VDD_8
D15	GPIO_18	F4	VSS_13	G19	VDD_9
D16	GPIO_16	F5	VSS_14	G20	VDD_V2_1
D17	REFCLK_SEL0	F6	VSS_15	G21	VDD_V2_2
D18	RCVRD_CLK3	F7	VSS_16	G22	S30_TXP
D19	GPIO_62	F8	VDD_IO_11	G23	S30_TXN
D20	GPIO_60	F9	VDD_IO_12	G24	VSS_30
D21	VDD_IO_1	F10	VSS_17	G25	S29_RXP
D22	JTAG_TMS	F11	VDD_IO_13	G26	S29_RXN
D23	JTAG_nTRST	F12	VDD_IO_14	H1	DDR_nCS0
D24	VSS_3	F13	VSS_18	H2	NC_5
D25	S32_RXP	F14	VSS_19	H3	GPIO_38
D26	S32_RXN	F15	VDD_IO_15	H4	GPIO_39
E1	REFCLK2_EN	F16	VDD_IO_16	H5	VDD_IO_21
E2	REFCLK2_SEL2	F17	VSS_20	H6	VDD_IO_22
E3	REFCLK2_SEL1	F18	VSS_21	H7	VSS_31
E4	REFCLK2_SEL0	F19	VSS_22	H8	VDD_10
E5	VSS_4	F20	VDD_IO_17	H9	VDD_11
E6	VDD_IO_2	F21	VDD_IO_18	H10	VSS_32
E7	VSS_5	F22	S31_TXP	H11	VDD_12
E8	VDD_IO_3	F23	S31_TXN	H12	VDD_13
E9	VDD_IO_4	F24	VSS_23	H13	VSS_33
E10	VSS_6	F25	S30_RXP	H14	VSS_34
E11	VDD_IO_5	F26	S30_RXN	H15	VDD_14
E12	VDD_IO_6	G1	DDR_A15	H16	VDD_15
E13	VSS_7	G2	DDR_A14	H17	VSS_35
E14	VSS_8	G3	NC_4	H18	VDD_16
E15	VDD_IO_7	G4	VSS_24	H19	VDD_17
E16	VDD_IO_8	G5	VDD_IO_19	H20	VDD_V2_3
E17	VSS_9	G6	VDD_IO_20	H21	VDD_V2_4
E18	VSS_10	G7	VSS_25	H22	S29_TXP
E19	VSS_11	G8	VDD_2	H23	S29_TXN
E20	VDD_IO_9	G9	VDD_3	H24	VSS_36
E21	VDD_IO_10	G10	VSS_26	H25	S28_RXP
E22	S32_TXP	G11	VDD_4	H26	S28_RXN

Pins by number (continued)

J1	DDR_LDQS
J2	DDR_LDQSn
J3	DDR_LDM
J4	DDR_DQ6
J5	VSS_37
J6	VSS_38
J7	VSS_39
J8	VSS_40
J9	VSS_41
J10	VSS_42
J11	VSS_43
J12	VSS_44
J13	VSS_45
J14	VSS_46
J15	VSS_47
J16	VSS_48
J17	VSS_49
J18	VSS_50
J19	VSS_51
J20	VSS_52
J21	VSS_53
J22	S28_TXP
J23	S28_TXN
J24	VSS_54
J25	S27_RXP
J26	S27_RXN
K1	DDR_DQ0
K2	DDR_DQ7
K3	DDR_DQ3
K4	DDR_DQ1
K5	VDD_IODDR_1
K6	VDD_IODDR_2
K7	VSS_55
K8	VDD_18
K9	VDD_19
K10	VSS_56
K11	VDD_20
K12	VDD_21
K13	VSS_57
K14	VSS_58
K15	VDD_22
K16	VDD_23
K17	VSS_59
K18	VDD_24
K19	VDD_25
K20	VDD_V2_5
K21	VDD_V2_6
K22	S27_TXP
K23	S27_TXN
K24	VSS_60
K25	S26_RXP
K26	S26_RXN
L1	DDR_DQ5
L2	DDR_DQ2
L3	DDR_nRAS
L4	DDR_DQ4
L5	VDD_IODDR_3
L6	VDD_IODDR_4
L7	VSS_61
L8	VDD_26
L9	VDD_27
L10	VSS_62
L11	VDD_28
L12	VDD_29
L13	VSS_63
L14	VSS_64
L15	VDD_30
L16	VDD_31
L17	VSS_65
L18	VDD_32
L19	VDD_33
L20	VDD_V2_7
L21	VDD_V2_8
L22	S26_TXP
L23	S26_TXN
L24	VSS_66
L25	S25_RXP
L26	S25_RXN
M1	DDR_A0
M2	DDR_ODT0
M3	DDR_A2
M4	DDR_nCAS
M5	VSS_67
M6	VSS_68
M7	VSS_69
M8	VSS_70
M9	VSS_71
M10	VSS_72
M11	VSS_73
M12	VSS_74
M13	VSS_75
M14	VSS_76
M15	VSS_77
M16	VSS_78
M17	VSS_79
M18	VSS_80
M19	VSS_81
M20	VSS_82
M21	VSS_83
M22	S25_TXP
M23	S25_TXN
M24	VSS_84
M25	REFCLK_P
M26	REFCLK_N
N1	DDR_A8
N2	DDR_A4
N3	DDR_nWE
N4	DDR_A6
N5	VSS_85
N6	VSS_86
N7	VSS_87
N8	VSS_88
N9	VSS_89
N10	VSS_90
N11	VSS_91
N12	VSS_92
N13	VSS_93
N14	VSS_94
N15	VSS_95
N16	VSS_96
N17	VSS_97
N18	VSS_98
N19	VSS_99

Pins by number (continued)

N20	VSS_100	R9	VDD_43	T24	VSS_136
N21	VSS_101	R10	VSS_111	T25	S35_RXP
N22	HS_TST_P	R11	VDD_44	T26	S35_RXN
N23	HS_TST_N	R12	VDD_45	U1	DDR_BA0
N24	VSS_102	R13	VSS_113	U2	DDR_BA2
N25	VSS_103	R14	VSS_114	U3	DDR_CKE
N26	VSS_104	R15	VDD_46	U4	DDR_ODT1
P1	DDR_CK _n	R16	VDD_47	U5	VDD_IODDR_9
P2	DDR_CK	R17	VSS_115	U6	VDD_IODDR_10
P3	DDR_A11	R18	VDD_48	U7	VSS_137
P4	DDR_A13	R19	VDD_49	U8	VDD_50
P5	VDD_IODDR_5	R20	VDD_V1_3	U9	VDD_51
P6	VDD_IODDR_6	R21	VDD_V1_4	U10	VSS_138
P7	VSS_105	R22	S36_TXP	U11	VDD_52
P8	VDD_34	R23	S36_TXN	U12	VDD_53
P9	VDD_35	R24	VSS_116	U13	VSS_139
P10	VSS_106	R25	VSS_117	U14	VSS_140
P11	VDD_36	R26	VSS_118	U15	VDD_54
P12	VDD_37	T1	DDR_A3	U16	VDD_55
P13	VSS_107	T2	DDR_A10	U17	VSS_141
P14	VSS_108	T3	DDR_A1	U18	VDD_56
P15	VDD_38	T4	DDR_BA1	U19	VDD_57
P16	VDD_39	T5	VSS_119	U20	VDD_A_1
P17	VSS_109	T6	VSS_120	U21	VDD_V1_5
P18	VDD_40	T7	VSS_121	U22	S35_TXP
P19	VDD_41	T8	VSS_122	U23	S35_TXN
P20	VDD_V1_1	T9	VSS_123	U24	VSS_142
P21	VDD_V1_2	T10	VSS_124	U25	VSS_143
P22	VDD_HS_1	T11	VSS_125	U26	VSS_144
P23	VDD_HS_2	T12	VSS_126	V1	DDR_DQ12
P24	VSS_110	T13	VSS_127	V2	DDR_DQ11
P25	S36_RXP	T14	VSS_128	V3	DDR_DQ10
P26	S36_RXN	T15	VSS_129	V4	DDR_DQ13
R1	DDR_A12	T16	VSS_130	V5	VDD_IODDR_11
R2	DDR_A7	T17	VSS_131	V6	VDD_IODDR_12
R3	DDR_A9	T18	VSS_132	V7	VSS_145
R4	DDR_A5	T19	VSS_133	V8	VDD_58
R5	VDD_IODDR_7	T20	VSS_134	V9	VDD_59
R6	VDD_IODDR_8	T21	VSS_135	V10	VSS_146
R7	VSS_112	T22	VDD_HS_3	V11	VDD_60
R8	VDD_42	T23	VDD_HS_4	V12	VDD_61

Pins by number (continued)

V13	VSS_147	Y2	DDR_UDM
V14	VSS_148	Y3	DDR_UDQS
V15	VDD_62	Y4	DDR_UDQSn
V16	VDD_63	Y5	VDD_IODDR_13
V17	VSS_149	Y6	VDD_IODDR_14
V18	VDD_64	Y7	VSS_162
V19	VDD_65	Y8	VDD_A_11
V20	VDD_A_2	Y9	VDD_A_12
V21	VDD_V1_6	Y10	VSS_163
V22	VDD_HS_5	Y11	VDD_A_13
V23	VDD_HS_6	Y12	VDD_A_14
V24	VSS_150	Y13	VSS_164
V25	S34_RXP	Y14	VSS_165
V26	S34_RXN	Y15	VDD_A_15
W1	DDR_DQ9	Y16	VDD_A_16
W2	DDR_DQ14	Y17	VSS_166
W3	DDR_DQ8	Y18	VDD_A_17
W4	DDR_DQ15	Y19	VDD_A_18
W5	VSS_151	Y20	VDD_ref25_1
W6	VSS_152	Y21	VSS_167
W7	VSS_153	Y22	VDD_HS_7
W8	VDD_A_3	Y23	VDD_HS_8
W9	VDD_A_4	Y24	VSS_168
W10	VSS_154	Y25	S33_RXP
W11	VDD_A_5	Y26	S33_RXN
W12	VDD_A_6		
W13	VSS_155		
W14	VSS_156		
W15	VDD_A_7		
W16	VDD_A_8		
W17	VSS_157		
W18	VDD_A_9		
W19	VDD_A_10		
W20	VDD_ref25_0		
W21	VSS_158		
W22	S34_TXP		
W23	S34_TXN		
W24	VSS_159		
W25	VSS_160		
W26	VSS_161		
Y1	DDR_Rext		

9.4 Pins by Name for VSC7448-02

This section provides an alphabetic list of the VSC7448-02 pins.

CLKOUT2_N	A23	DDR_DQ14	W2	GPIO_21	B9
CLKOUT2_P	A22	DDR_DQ15	W4	GPIO_22	C9
DDR_A0	M1	DDR_LDM	J3	GPIO_23	D9
DDR_A1	T3	DDR_LDQS	J1	GPIO_24	C7
DDR_A2	M3	DDR_LDQSn	J2	GPIO_25	D7
DDR_A3	T1	DDR_nCAS	M4	GPIO_26	C6
DDR_A4	N2	DDR_nCS0	H1	GPIO_27	D6
DDR_A5	R4	DDR_nCS1	AA1	GPIO_28	C5
DDR_A6	N4	DDR_nRAS	L3	GPIO_29	D5
DDR_A7	R2	DDR_nWE	N3	GPIO_30	C4
DDR_A8	N1	DDR_ODT0	M2	GPIO_31	D4
DDR_A9	R3	DDR_ODT1	U4	GPIO_32	B3
DDR_A10	T2	DDR_Rext	Y1	GPIO_33	C3
DDR_A11	P3	DDR_UDM	Y2	GPIO_34	B8
DDR_A12	R1	DDR_UDQS	Y3	GPIO_35	A8
DDR_A13	P4	DDR_UDQSn	Y4	GPIO_36	A7
DDR_A14	G2	DDR_Vref	AB2	GPIO_37	C8
DDR_A15	G1	GPIO_0	A10	GPIO_38	H3
DDR_BA0	U1	GPIO_1	B10	GPIO_39	H4
DDR_BA1	T4	GPIO_2	C10	GPIO_40	B4
DDR_BA2	U2	GPIO_3	D10	GPIO_41	A3
DDR_CK	P2	GPIO_4	A11	GPIO_42	B5
DDR_CKE	U3	GPIO_5	B11	GPIO_43	A4
DDR_CKn	P1	GPIO_6	C11	GPIO_44	B6
DDR_DQ0	K1	GPIO_7	D11	GPIO_45	A5
DDR_DQ1	K4	GPIO_8	A12	GPIO_46	B7
DDR_DQ2	L2	GPIO_9	B12	GPIO_47	A6
DDR_DQ3	K3	GPIO_10	A13	GPIO_48	A2
DDR_DQ4	L4	GPIO_11	B13	GPIO_49	B2
DDR_DQ5	L1	GPIO_12	C12	GPIO_50	B1
DDR_DQ6	J4	GPIO_13	D12	GPIO_51	C1
DDR_DQ7	K2	GPIO_14	A14	GPIO_52	C2
DDR_DQ8	W3	GPIO_15	B14	GPIO_53	D1
DDR_DQ9	W1	GPIO_16	D16	GPIO_54	D2
DDR_DQ10	V3	GPIO_17	C15	GPIO_55	D3
DDR_DQ11	V2	GPIO_18	D15	GPIO_56	B20
DDR_DQ12	V1	GPIO_19	D8	GPIO_57	A20
DDR_DQ13	V4	GPIO_20	A9	GPIO_58	B21

Pins by name (continued)

GPIO_59	A21	REFCLK2_SEL0	E4	S8_RXP	AE10
GPIO_60	D20	REFCLK2_SEL1	E3	S8_TXN	AD10
GPIO_61	C20	REFCLK2_SEL2	E2	S8_TXP	AC10
GPIO_62	D19	RESERVED_0	C13	S9_RXN	AF11
GPIO_63	C19	RESERVED_1	F3	S9_RXP	AE11
HS_TST_N	N23	RESERVED_2	F2	S9_TXN	AD11
HS_TST_P	N22	RESERVED_3	F1	S9_TXP	AC11
JTAG_ICE_nEN	A17	RESERVED_4	AA25	S10_RXN	AF12
JTAG_nTRST	D23	S0_RXN	AE1	S10_RXP	AE12
JTAG_TCK	C26	S0_RXP	AE2	S10_TXN	AD12
JTAG_TDI	C24	S0_TXN	AD1	S10_TXP	AC12
JTAG_TDO	C25	S0_TXP	AD2	S11_RXN	AF13
JTAG_TMS	D22	S1_RXN	AF3	S11_RXP	AE13
MDC0	AC1	S1_RXP	AE3	S11_TXN	AD13
MDIO0	AB1	S1_TXN	AD3	S11_TXP	AC13
NC_1	B19	S1_TXP	AC3	S12_RXN	AF14
NC_2	C18	S2_RXN	AF4	S12_RXP	AE14
NC_3	B17	S2_RXP	AE4	S12_TXN	AD14
NC_4	G3	S2_TXN	AD4	S12_TXP	AC14
NC_5	H2	S2_TXP	AC4	S13_RXN	AF15
NC_6	AA2	S3_RXN	AF5	S13_RXP	AE15
NC_7	AA3	S3_RXP	AE5	S13_TXN	AD15
NC_8	AF2	S3_TXN	AD5	S13_TXP	AC15
NC_9	B24	S3_TXP	AC5	S14_RXN	AF16
nRESET	A19	S4_RXN	AF6	S14_RXP	AE16
PCIE_RXN	B26	S4_RXP	AE6	S14_TXN	AD16
PCIE_RXP	B25	S4_TXN	AD6	S14_TXP	AC16
PCIE_TXN	B23	S4_TXP	AC6	S15_RXN	AF17
PCIE_TXP	B22	S5_RXN	AF7	S15_RXP	AE17
RCVRD_CLK0	C22	S5_RXP	AE7	S15_TXN	AD17
RCVRD_CLK1	C23	S5_TXN	AD7	S15_TXP	AC17
RCVRD_CLK2	C21	S5_TXP	AC7	S16_RXN	AF18
RCVRD_CLK3	D18	S6_RXN	AF8	S16_RXP	AE18
REFCLK_N	M26	S6_RXP	AE8	S16_TXN	AD18
REFCLK_P	M25	S6_TXN	AD8	S16_TXP	AC18
REFCLK_SEL0	D17	S6_TXP	AC8	S17_RXN	AF19
REFCLK_SEL1	C16	S7_RXN	AF9	S17_RXP	AE19
REFCLK_SEL2	C17	S7_RXP	AE9	S17_TXN	AD19
REFCLK2_EN	E1	S7_TXN	AD9	S17_TXP	AC19
REFCLK2_N	A25	S7_TXP	AC9	S18_RXN	AF20
REFCLK2_P	A24	S8_RXN	AF10	S18_RXP	AE20

Pins by name (continued)

S18_TXN	AD20	S28_TXP	J22	VDD_1	C14
S18_TXP	AC20	S29_RXN	G26	VDD_2	G8
S19_RXN	AF21	S29_RXP	G25	VDD_3	G9
S19_RXP	AE21	S29_TXN	H23	VDD_4	G11
S19_TXN	AD21	S29_TXP	H22	VDD_5	G12
S19_TXP	AC21	S30_RXN	F26	VDD_6	G15
S20_RXN	AF22	S30_RXP	F25	VDD_7	G16
S20_RXP	AE22	S30_TXN	G23	VDD_8	G18
S20_TXN	AD22	S30_TXP	G22	VDD_9	G19
S20_TXP	AC22	S31_RXN	E26	VDD_10	H8
S21_RXN	AF23	S31_RXP	E25	VDD_11	H9
S21_RXP	AE23	S31_TXN	F23	VDD_12	H11
S21_TXN	AD23	S31_TXP	F22	VDD_13	H12
S21_TXP	AC23	S32_RXN	D26	VDD_14	H15
S22_RXN	AF24	S32_RXP	D25	VDD_15	H16
S22_RXP	AE24	S32_TXN	E23	VDD_16	H18
S22_TXN	AD24	S32_TXP	E22	VDD_17	H19
S22_TXP	AC24	S33_RXN	Y26	VDD_18	K8
S23_RXN	AF25	S33_RXP	Y25	VDD_19	K9
S23_RXP	AE25	S33_TXN	AA23	VDD_20	K11
S23_TXN	AD25	S33_TXP	AA22	VDD_21	K12
S23_TXP	AC25	S34_RXN	V26	VDD_22	K15
S24_RXN	AE26	S34_RXP	V25	VDD_23	K16
S24_RXP	AD26	S34_TXN	W23	VDD_24	K18
S24_TXN	AC26	S34_TXP	W22	VDD_25	K19
S24_TXP	AB26	S35_RXN	T26	VDD_26	L8
S25_RXN	L26	S35_RXP	T25	VDD_27	L9
S25_RXP	L25	S35_TXN	U23	VDD_28	L11
S25_TXN	M23	S35_TXP	U22	VDD_29	L12
S25_TXP	M22	S36_RXN	P26	VDD_30	L15
S26_RXN	K26	S36_RXP	P25	VDD_31	L16
S26_RXP	K25	S36_TXN	R23	VDD_32	L18
S26_TXN	L23	S36_TXP	R22	VDD_33	L19
S26_TXP	L22	SERDES_Rext_0	AB4	VDD_34	P8
S27_RXN	J26	SERDES_Rext_1	AB3	VDD_35	P9
S27_RXP	J25	SI_CLK	A15	VDD_36	P11
S27_TXN	K23	SI_DI	A16	VDD_37	P12
S27_TXP	K22	SI_DO	B15	VDD_38	P15
S28_RXN	H26	SI_nCS0	B16	VDD_39	P16
S28_RXP	H25	THERMDA	A18	VDD_40	P18
S28_TXN	J23	THERMDC	B18	VDD_41	P19

Pins by name (continued)

VDD_42	R8	VDD_A_18	Y19	VDD_IODDR_11	V5
VDD_43	R9	VDD_HS_1	P22	VDD_IODDR_12	V6
VDD_44	R11	VDD_HS_2	P23	VDD_IODDR_13	Y5
VDD_45	R12	VDD_HS_3	T22	VDD_IODDR_14	Y6
VDD_46	R15	VDD_HS_4	T23	VDD_IOMIIM0	AC2
VDD_47	R16	VDD_HS_5	V22	VDD_ref25_0	W20
VDD_48	R18	VDD_HS_6	V23	VDD_ref25_1	Y20
VDD_49	R19	VDD_HS_7	Y22	VDD_ref25_2	AA20
VDD_50	U8	VDD_HS_8	Y23	VDD_S_1	AA8
VDD_51	U9	VDD_IO_1	D21	VDD_S_2	AA9
VDD_52	U11	VDD_IO_2	E6	VDD_S_3	AA11
VDD_53	U12	VDD_IO_3	E8	VDD_S_4	AA12
VDD_54	U15	VDD_IO_4	E9	VDD_S_5	AB8
VDD_55	U16	VDD_IO_5	E11	VDD_S_6	AB9
VDD_56	U18	VDD_IO_6	E12	VDD_S_7	AB11
VDD_57	U19	VDD_IO_7	E15	VDD_S_8	AB12
VDD_58	V8	VDD_IO_8	E16	VDD_V1_1	P20
VDD_59	V9	VDD_IO_9	E20	VDD_V1_2	P21
VDD_60	V11	VDD_IO_10	E21	VDD_V1_3	R20
VDD_61	V12	VDD_IO_11	F8	VDD_V1_4	R21
VDD_62	V15	VDD_IO_12	F9	VDD_V1_5	U21
VDD_63	V16	VDD_IO_13	F11	VDD_V1_6	V21
VDD_64	V18	VDD_IO_14	F12	VDD_V1_7	AA15
VDD_65	V19	VDD_IO_15	F15	VDD_V1_8	AA16
VDD_A_1	U20	VDD_IO_16	F16	VDD_V1_9	AA18
VDD_A_2	V20	VDD_IO_17	F20	VDD_V1_10	AA19
VDD_A_3	W8	VDD_IO_18	F21	VDD_V1_11	AB15
VDD_A_4	W9	VDD_IO_19	G5	VDD_V1_12	AB16
VDD_A_5	W11	VDD_IO_20	G6	VDD_V1_13	AB18
VDD_A_6	W12	VDD_IO_21	H5	VDD_V1_14	AB19
VDD_A_7	W15	VDD_IO_22	H6	VDD_V2_1	G20
VDD_A_8	W16	VDD_IODDR_1	K5	VDD_V2_2	G21
VDD_A_9	W18	VDD_IODDR_2	K6	VDD_V2_3	H20
VDD_A_10	W19	VDD_IODDR_3	L5	VDD_V2_4	H21
VDD_A_11	Y8	VDD_IODDR_4	L6	VDD_V2_5	K20
VDD_A_12	Y9	VDD_IODDR_5	P5	VDD_V2_6	K21
VDD_A_13	Y11	VDD_IODDR_6	P6	VDD_V2_7	L20
VDD_A_14	Y12	VDD_IODDR_7	R5	VDD_V2_8	L21
VDD_A_15	Y15	VDD_IODDR_8	R6	VSS_1	D13
VDD_A_16	Y16	VDD_IODDR_9	U5	VSS_2	D14
VDD_A_17	Y18	VDD_IODDR_10	U6	VSS_3	D24

Pins by name (continued)

VSS_4	E5	VSS_45	J13	VSS_86	N6
VSS_5	E7	VSS_46	J14	VSS_87	N7
VSS_6	E10	VSS_47	J15	VSS_88	N8
VSS_7	E13	VSS_48	J16	VSS_89	N9
VSS_8	E14	VSS_49	J17	VSS_90	N10
VSS_9	E17	VSS_50	J18	VSS_91	N11
VSS_10	E18	VSS_51	J19	VSS_92	N12
VSS_11	E19	VSS_52	J20	VSS_93	N13
VSS_12	E24	VSS_53	J21	VSS_94	N14
VSS_13	F4	VSS_54	J24	VSS_95	N15
VSS_14	F5	VSS_55	K7	VSS_96	N16
VSS_15	F6	VSS_56	K10	VSS_97	N17
VSS_16	F7	VSS_57	K13	VSS_98	N18
VSS_17	F10	VSS_58	K14	VSS_99	N19
VSS_18	F13	VSS_59	K17	VSS_100	N20
VSS_19	F14	VSS_60	K24	VSS_101	N21
VSS_20	F17	VSS_61	L7	VSS_102	N24
VSS_21	F18	VSS_62	L10	VSS_103	N25
VSS_22	F19	VSS_63	L13	VSS_104	N26
VSS_23	F24	VSS_64	L14	VSS_105	P7
VSS_24	G4	VSS_65	L17	VSS_106	P10
VSS_25	G7	VSS_66	L24	VSS_107	P13
VSS_26	G10	VSS_67	M5	VSS_108	P14
VSS_27	G13	VSS_68	M6	VSS_109	P17
VSS_28	G14	VSS_69	M7	VSS_110	P24
VSS_29	G17	VSS_70	M8	VSS_111	R10
VSS_30	G24	VSS_71	M9	VSS_112	R7
VSS_31	H7	VSS_72	M10	VSS_113	R13
VSS_32	H10	VSS_73	M11	VSS_114	R14
VSS_33	H13	VSS_74	M12	VSS_115	R17
VSS_34	H14	VSS_75	M13	VSS_116	R24
VSS_35	H17	VSS_76	M14	VSS_117	R25
VSS_36	H24	VSS_77	M15	VSS_118	R26
VSS_37	J5	VSS_78	M16	VSS_119	T5
VSS_38	J6	VSS_79	M17	VSS_120	T6
VSS_39	J7	VSS_80	M18	VSS_121	T7
VSS_40	J8	VSS_81	M19	VSS_122	T8
VSS_41	J9	VSS_82	M20	VSS_123	T9
VSS_42	J10	VSS_83	M21	VSS_124	T10
VSS_43	J11	VSS_84	M24	VSS_125	T11
VSS_44	J12	VSS_85	N5	VSS_126	T12

Pins by name (continued)

VSS_127	T13	VSS_168	Y24
VSS_128	T14	VSS_169	AA4
VSS_129	T15	VSS_170	AA5
VSS_130	T16	VSS_171	AA6
VSS_131	T17	VSS_172	AA7
VSS_132	T18	VSS_173	AA10
VSS_133	T19	VSS_174	AA13
VSS_134	T20	VSS_175	AA14
VSS_135	T21	VSS_176	AA17
VSS_136	T24	VSS_177	AA21
VSS_137	U7	VSS_178	AA24
VSS_138	U10	VSS_179	AA26
VSS_139	U13	VSS_180	AB5
VSS_140	U14	VSS_181	AB6
VSS_141	U17	VSS_182	AB7
VSS_142	U24	VSS_183	AB10
VSS_143	U25	VSS_184	AB13
VSS_144	U26	VSS_185	AB14
VSS_145	V7	VSS_186	AB17
VSS_146	V10	VSS_187	AB20
VSS_147	V13	VSS_188	AB21
VSS_148	V14	VSS_189	AB22
VSS_149	V17	VSS_190	AB23
VSS_150	V24	VSS_191	AB24
VSS_151	W5	VSS_192	AB25
VSS_152	W6		
VSS_153	W7		
VSS_154	W10		
VSS_155	W13		
VSS_156	W14		
VSS_157	W17		
VSS_158	W21		
VSS_159	W24		
VSS_160	W25		
VSS_161	W26		
VSS_162	Y7		
VSS_163	Y10		
VSS_164	Y13		
VSS_165	Y14		
VSS_166	Y17		
VSS_167	Y21		

10 Pin Descriptions for VSC7449-02



The VSC7449-02 device has 672 pins, which are described in this section.

The pin information is also provided as an attached Microsoft Excel file, so that you can copy it electronically. In Adobe Reader, double-click the attachment icon.

10.1 Pin Diagram for VSC7449-02

The following illustration is a representation of the VSC7449-02 device, as seen from the top view looking through the device. For clarity, the device is shown in two halves, the top left and the top right.

Figure 147 • Pin Diagram for VSC7449-02, Top Left

	1	2	3	4	5	6	7	8	9	10	11	12	13
A		GPIO_48	GPIO_41	GPIO_43	GPIO_45	GPIO_47	GPIO_36	GPIO_35	GPIO_20	GPIO_0	GPIO_4	GPIO_8	GPIO_10
B	GPIO_50	GPIO_49	GPIO_32	GPIO_40	GPIO_42	GPIO_44	GPIO_46	GPIO_34	GPIO_21	GPIO_1	GPIO_5	GPIO_9	GPIO_11
C	GPIO_51	GPIO_52	GPIO_33	GPIO_30	GPIO_28	GPIO_26	GPIO_24	GPIO_37	GPIO_22	GPIO_2	GPIO_6	GPIO_12	RESERVED_0
D	GPIO_53	GPIO_54	GPIO_55	GPIO_31	GPIO_29	GPIO_27	GPIO_25	GPIO_19	GPIO_23	GPIO_3	GPIO_7	GPIO_13	VSS_1
E	REFCLK2_EN	REFCLK2_SEL2	REFCLK2_SEL1	REFCLK2_SEL0	VSS_4	VDD_IO_2	VSS_5	VDD_IO_3	VDD_IO_4	VSS_6	VDD_IO_5	VDD_IO_6	VSS_7
F	RESERVED_3	RESERVED_2	RESERVED_1	VSS_13	VSS_14	VSS_15	VSS_16	VDD_IO_11	VDD_IO_12	VSS_17	VDD_IO_13	VDD_IO_14	VSS_18
G	DDR_A15	DDR_A14	NC_4	VSS_24	VDD_IO_19	VDD_IO_20	VSS_25	VDD_2	VDD_3	VSS_26	VDD_4	VDD_5	VSS_27
H	DDR_nCS0	NC_5	GPIO_38	GPIO_39	VDD_IO_21	VDD_IO_22	VSS_31	VDD_10	VDD_11	VSS_32	VDD_12	VDD_13	VSS_33
J	DDR_LDQS	DDR_LDQSn	DDR_LDM	DDR_DQ6	VSS_37	VSS_38	VSS_39	VSS_40	VSS_41	VSS_42	VSS_43	VSS_44	VSS_45
K	DDR_DQ0	DDR_DQ7	DDR_DQ3	DDR_DQ1	VDD_IODDR_1	VDD_IODDR_2	VSS_55	VDD_18	VDD_19	VSS_56	VDD_20	VDD_21	VSS_57
L	DDR_DQ5	DDR_DQ2	DDR_nRAS	DDR_DQ4	VDD_IODDR_3	VDD_IODDR_4	VSS_61	VDD_26	VDD_27	VSS_62	VDD_28	VDD_29	VSS_63
M	DDR_A0	DDR_ODT0	DDR_A2	DDR_nCAS	VSS_67	VSS_68	VSS_69	VSS_70	VSS_71	VSS_72	VSS_73	VSS_74	VSS_75
N	DDR_A8	DDR_A4	DDR_nWE	DDR_A6	VSS_85	VSS_86	VSS_87	VSS_88	VSS_89	VSS_90	VSS_91	VSS_92	VSS_93
P	DDR_CkN	DDR_CK	DDR_A11	DDR_A13	VDD_IODDR_5	VDD_IODDR_6	VSS_105	VDD_34	VDD_35	VSS_106	VDD_36	VDD_37	VSS_107
R	DDR_A12	DDR_A7	DDR_A9	DDR_A5	VDD_IODDR_7	VDD_IODDR_8	VSS_112	VDD_42	VDD_43	VSS_111	VDD_44	VDD_45	VSS_113
T	DDR_A3	DDR_A10	DDR_A1	DDR_BA1	VSS_119	VSS_120	VSS_121	VSS_122	VSS_123	VSS_124	VSS_125	VSS_126	VSS_127
U	DDR_BA0	DDR_BA2	DDR_CKE	DDR_ODT1	VDD_IODDR_9	VDD_IODDR_10	VSS_137	VDD_50	VDD_51	VSS_138	VDD_52	VDD_53	VSS_139
V	DDR_DQ12	DDR_DQ11	DDR_DQ10	DDR_DQ13	VDD_IODDR_11	VDD_IODDR_12	VSS_145	VDD_58	VDD_59	VSS_146	VDD_60	VDD_61	VSS_147
W	DDR_DQ9	DDR_DQ14	DDR_DQ8	DDR_DQ15	VSS_151	VSS_152	VSS_153	VDD_A_3	VDD_A_4	VSS_154	VDD_A_5	VDD_A_6	VSS_155
Y	DDR_Rext	DDR_UDM	DDR_UDQS	DDR_UDQSn	VDD_IODDR_13	VDD_IODDR_14	VSS_162	VDD_A_11	VDD_A_12	VSS_163	VDD_A_13	VDD_A_14	VSS_164
AA	DDR_nCS1	NC_6	NC_7	VSS_169	VSS_170	VSS_171	VSS_172	VDD_S_1	VDD_S_2	VSS_173	VDD_S_3	VDD_S_4	VSS_174
AB	MDIO0	DDR_Vref	SERDES_Rext_1	SERDES_Rext_0	VSS_180	VSS_181	VSS_182	VDD_S_5	VDD_S_6	VSS_183	VDD_S_7	VDD_S_8	VSS_184
AC	MDC0	VDD_IOMIIM0	S1_TXP	S2_TXP	S3_TXP	S4_TXP	S5_TXP	S6_TXP	S7_TXP	S8_TXP	S9_TXP	S10_TXP	S11_TXP
AD	S0_TXN	S0_TXP	S1_TXN	S2_TXN	S3_TXN	S4_TXN	S5_TXN	S6_TXN	S7_TXN	S8_TXN	S9_TXN	S10_TXN	S11_TXN
AE	S0_RXN	S0_RXP	S1_RXN	S2_RXP	S3_RXN	S4_RXP	S5_RxP	S6_RXP	S7_RXP	S8_RXP	S9_RXP	S10_RXP	S11_RXP
AF		NC_8	S1_RXN	S2_RXN	S3_RXN	S4_RXN	S5_RxN	S6_RXN	S7_RXN	S8_RXN	S9_RXN	S10_RXN	S11_RXN

Figure 148 • Pin Diagram for VSC7449-02, Top Right

14	15	16	17	18	19	20	21	22	23	24	25	26	
GPIO_14	SI_CLK	SI_DI	JTAG_JCE_nEN	THERMDA	nRESET	GPIO_57	GPIO_59	CLKOUT2_P	CLKOUT2_N	REFCLK2_P	REFCLK2_N		A
GPIO_15	SI_DO	SI_nCS0	NC_3	THERMDC	NC_1	GPIO_56	GPIO_58	PCIE_TXP	PCIE_TXN	NC_9	PCIE_RXP	PCIE_RXN	B
VDD_1	GPIO_17	REFCLK_SEL1	REFCLK_SEL2	NC_2	GPIO_63	GPIO_61	RCVRD_CLK2	RCVRD_CLK0	RCVRD_CLK1	JTAG_TDI	JTAG_TDO	JTAG_TCK	C
VSS_2	GPIO_18	GPIO_16	REFCLK_SELO	RCVRD_CLK3	GPIO_62	GPIO_60	VDD_IO_1	JTAG_TMS	JTAG_nTRST	VSS_3	S32_RXP	S32_RXN	D
VSS_8	VDD_IO_7	VDD_IO_8	VSS_9	VSS_10	VSS_11	VDD_IO_9	VDD_IO_10	S32_TXP	S32_TXN	VSS_12	S31_RXP	S31_RXN	E
VSS_19	VDD_IO_15	VDD_IO_16	VSS_20	VSS_21	VSS_22	VDD_IO_17	VDD_IO_18	S31_TXP	S31_TXN	VSS_23	S30_RXP	S30_RXN	F
VSS_28	VDD_6	VDD_7	VSS_29	VDD_8	VDD_9	VDD_V2_1	VDD_V2_2	S30_TXP	S30_TXN	VSS_30	S29_RXP	S29_RXN	G
VSS_34	VDD_14	VDD_15	VSS_35	VDD_16	VDD_17	VDD_V2_3	VDD_V2_4	S29_TXP	S29_TXN	VSS_36	S28_RXP	S28_RXN	H
VSS_46	VSS_47	VSS_48	VSS_49	VSS_50	VSS_51	VSS_52	VSS_53	S28_TXP	S28_TXN	VSS_54	S27_RXP	S27_RXN	J
VSS_58	VDD_22	VDD_23	VSS_59	VDD_24	VDD_25	VDD_V2_5	VDD_V2_6	S27_TXP	S27_TXN	VSS_60	S26_RXP	S26_RXN	K
VSS_64	VDD_30	VDD_31	VSS_65	VDD_32	VDD_33	VDD_V2_7	VDD_V2_8	S26_TXP	S26_TXN	VSS_66	S25_RXP	S25_RXN	L
VSS_76	VSS_77	VSS_78	VSS_79	VSS_80	VSS_81	VSS_82	VSS_83	S25_TXP	S25_TXN	VSS_84	REFCLK_P	REFCLK_N	M
VSS_94	VSS_95	VSS_96	VSS_97	VSS_98	VSS_99	VSS_100	VSS_101	HS_TST_P	HS_TST_N	VSS_102	VSS_103	VSS_104	N
VSS_108	VDD_38	VDD_39	VSS_109	VDD_40	VDD_41	VDD_V1_1	VDD_V1_2	VDD_HS_1	VDD_HS_2	VSS_110	S36_RXP	S36_RXN	P
VSS_114	VDD_46	VDD_47	VSS_115	VDD_48	VDD_49	VDD_V1_3	VDD_V1_4	S36_TXP	S36_TXN	VSS_116	VSS_117	VSS_118	R
VSS_128	VSS_129	VSS_130	VSS_131	VSS_132	VSS_133	VSS_134	VSS_135	VDD_HS_3	VDD_HS_4	VSS_136	S35_RXP	S35_RXN	T
VSS_140	VDD_54	VDD_55	VSS_141	VDD_56	VDD_57	VDD_A_1	VDD_V1_5	S35_TXP	S35_TXN	VSS_142	VSS_143	VSS_144	U
VSS_148	VDD_62	VDD_63	VSS_149	VDD_64	VDD_65	VDD_A_2	VDD_V1_6	VDD_HS_5	VDD_HS_6	VSS_150	S34_RXP	S34_RXN	V
VSS_156	VDD_A_7	VDD_A_8	VSS_157	VDD_A_9	VDD_A_10	VDD_ref25_0	VSS_158	S34_TXP	S34_TXN	VSS_159	VSS_160	VSS_161	W
VSS_165	VDD_A_15	VDD_A_16	VSS_166	VDD_A_17	VDD_A_18	VDD_ref25_1	VSS_167	VDD_HS_7	VDD_HS_8	VSS_168	S33_RXP	S33_RXN	Y
VSS_175	VDD_V1_7	VDD_V1_8	VSS_176	VDD_V1_9	VDD_V1_10	VDD_ref25_2	VSS_177	S33_TXP	S33_TXN	VSS_178	RESERVED_4	VSS_179	AA
VSS_185	VDD_V1_11	VDD_V1_12	VSS_186	VDD_V1_13	VDD_V1_14	VSS_187	VSS_188	VSS_189	VSS_190	VSS_191	VSS_192	S24_TXP	AB
S12_TXP	S13_TXP	S14_TXP	S15_TXP	S16_TXP	S17_TXP	S18_TXP	S19_TXP	S20_TXP	S21_TXP	S22_TXP	S23_TXP	S24_TXN	AC
S12_TXN	S13_TXN	S14_TXN	S15_TXN	S16_TXN	S17_TXN	S18_TXN	S19_TXN	S20_TXN	S21_TXN	S22_TXN	S23_TXN	S24_RXP	AD
S12_RXP	S13_RXP	S14_RXP	S15_RXP	S16_RXP	S17_RXP	S18_RXP	S19_RXP	S20_RXP	S21_RXP	S22_RXP	S23_RXP	S24_RXN	AE
S12_RXN	S13_RXN	S14_RXN	S15_RXN	S16_RXN	S17_RXN	S18_RXN	S19_RXN	S20_RXN	S21_RXN	S22_RXN	S23_RXN		AF

10.2 Pins by Function for VSC7449-02

This section contains the functional pin descriptions for the VSC7449-02 device.

The following table lists the definitions for the pin type symbols.

Table 388 • Pin Type Symbol Definitions

Symbol	Pin Type	Description
A	Analog input	Analog input for sensing variable voltage levels.
ABIAS	Analog bias	Analog bias pin.
DIFF	Differential	Differential signal pair.
I	Input	Input signal.
O	Output	Output signal.
I/O	Bidirectional	Bidirectional input or output signal.
O	Output	Output signal.
OZ	3-state output	Output
LVDS	Input or output	Low voltage differential signal
LVCNOS	Input or output	Low voltage CMOS signal

Table 388 • Pin Type Symbol Definitions (continued)

Symbol	Pin Type	Description
PD	Pull-down	On-chip pull-down resistor to VSS.
PU	Pull-up	On-chip pull-up resistor to VDD_IO.
3V		3.3 V-tolerant.
ST	Schmitt-trigger	Input has Schmitt-trigger circuitry.
TD	Termination differential	Internal differential termination.

10.2.1 DDR SDRAM Interface

The following table lists the pins associated with the DDR3/DDR3L SDRAM interface.

Table 389 • DDR3/DDR3L SDRAM Pins

Name	I/O	Type	Description
DDR_A[15:0]	O		SDRAM address outputs. Provide row and column addresses to the SDRAM.
DDR_BA[2:0]	O		SDRAM bank address outputs. DDR_BA[2:0] define to which bank an ACTIVE, READ, WRITE, or PRECHARGE command is applied.
DDR_CK DDR_CKn	O	DIFF	SDRAM differential clock. Differential clock to external SDRAM. DDR_CK is the true part of the differential signal. DDR_CKn is the complement part.
DDR_CKE	O		SDRAM clock enable. 0: Disables clock in external SDRAM. 1: Enables clock in external SDRAM.
DDR_nCS[1:0]	O		SDRAM chip selects. Active low.
DDR_DQ[15:0]	I/O		SDRAM data bus.
DDR_LDM DDR_UDM	O		SDRAM data mask outputs. DDR_LDM and DDR_UDM are mask signals for data written to the SDRAM. DDR_LDM corresponds to data on DDR_DQ[7:0], and DDR_UDM corresponds to data on DDR_DQ[15:8].
DDR_LDQS DDR_LDQSn DDR_UDQS DDR_UDQSn		I/O, DIFF, TD	SDRAM differential data strobes. Bidirectional differential signal that follows data direction. Used by SDRAM to capture data on write operations. Edge-aligned with data from SDRAM during read operations and used by the device to capture data. DDR_LDQS corresponds to data on DDR_DQ[7:0], and DDR_UDQS corresponds to data on DDR_DQ[15:8].
DDR_nRAS DDR_nCAS DDR_nWE	O		SDRAM command outputs. DDR_nRAS, DDR_nCAS, and DDR_nWE (along with DDR_nCS) define the command being entered.
DDR_ODT[1:0]	O	O	Control signals for the attached DDR3/DDR3L SDRAM devices on-die termination.
DDR_Rext		ABIAS	External DDR impedance calibration. Connect the pin through an external 240 Ω ±1% resistor to ground.
DDR_Vref		ABIAS	Input reference voltage. Provides the input switching reference voltage to the SSTL DDR signals.

10.2.2 General-Purpose Inputs and Outputs

The following table lists the general-purpose I/O (GPIO) pins. Leave GPIO pins unconnected when not in use.

Many of the GPIO pins serve multiple functions. For more information about the overlaid functions and how to configure them, [GPIO Overlaid Functions](#), page 354.

Table 390 • GPIO Pins

Name	Type	Description
GPIO_[63:0]	I/O, PU, ST, 3V	General-purpose inputs and outputs.

10.2.3 JTAG Interface

The following table lists the pins associated with the JTAG interface. The JTAG interface can be connected to the boundary scan TAP controller or the internal VCore-III TAP controller for software debug as described under the JTAG_ICE_nEN signal.

The JTAG signals are not 5 V tolerant.

Table 391 • JTAG Interface Pins

Name	I/O	Type	Description
JTAG_ICE_nEN	I	PU, ST, 3V	0: Enables VCore-III debug interface over the JTAG interface. 1: Enables normal JTAG I/O over the JTAG interface.
JTAG_nTRST	I	PU, ST, 3V	JTAG test reset, active low. For normal device operation, JTAG_nTRST should be pulled low.
JTAG_TCK	I	ST, 3V	JTAG clock.
JTAG_TDI	I	PU, ST, 3V	JTAG test data in.
JTAG_TDO	O	OZ, 3V	JTAG test data out.
JTAG_TMS	I	PU, ST, 3V	JTAG test mode select.

10.2.4 MII Management Interface

The following table lists the pins associated with the MII Management interface.

Table 392 • MII Management Interface Pins

Name	I/O	Type	Description
MDC0	I/O	3V	Management data clock. MDC0 is sourced by the station management entity (the device) to the PHY as the timing reference for transfer of information on the MDIO0 signal. MDC0 is an aperiodic signal.
MDIO0	I/O	PU, 3V	Management data input/output. MDIO0 is a bidirectional signal between a PHY and the device, used to transfer control and status information. Control information is driven by the device synchronously with respect to MDC0 and is sampled synchronously by the PHY. Status information is driven by the PHY synchronously with respect to MDC0 and is sampled synchronously by the device.

10.2.5 Miscellaneous

The following table lists the pins associated with a particular interface or facility on the device.

Table 393 • Miscellaneous Pins

Name	I/O	Type	Description
nRESET	I	PU, ST, 3V	Global device reset, active low.
RESERVED_0		Analog	Tie to VSS.
RESERVED_4		Analog	
RESERVED_1		Analog	Leave floating.
RESERVED_[3:2]	O	SSTL	Leave floating.
NC_[9:1]			Do not connect. Leave floating.
SERDES_Rext_[1:0]		Analog	Analog bias calibration. Connect an external 620 Ω \pm 1% resistor between SERDES_Rext_1 and SERDES_Rext_0.
THERMDA		Analog	Thermal diode anode (p-junction).
THERMDC		Analog	Thermal diode cathode (n-junction). Connected on-die to V _{SS} .

10.2.6 PCI Express Interface

The following table lists the pins associated with the PCI Express (PCIe) pins.

Table 394 • PCI Express Interface Pins

Name	I/O	Type	Description
PCIE_RXN PCIE_RXP	I	CML, TD	Differential PCIe data inputs.
PCIE_TXN PCIE_TXP	O	CML	Differential PCIe data outputs.

10.2.7 Power Supplies and Ground

The following table lists the power supply and ground pins.

Table 395 • Power Supply and Ground Pins

Name	Type	Description
VDD_[65:1]	Power	1.0 V power supply voltage for core
VDD_A_[18:1]	Power	1.0 V power supply voltage for analog circuits
VDD_HS_[8:1]	Power	1.0 V or 1.2 V power supply for SERDES10G, ports 33 – 36
VDD_IO_[22:1]	Power	3.3 V power supply for GPIOs and miscellaneous I/Os
VDD_IODDR_[14:1]	Power	1.35 V or 1.5 V power supply for DDR3/DDR3L interface
VDD_IOMIIM0	Power	2.5 V or 3.3 V power supply for MIIM interface
VDD_ref25_[2:0]	Power	2.5 V reference supply for SerDes and PLLs
VDD_S_[8:1]	Power	1.0 V or 1.2 V power supply voltage for SERDES1G, ports 0 – 8
VDD_V1_[14:1]	Power	1.0 V or 1.2 V power supply for SERDES6G ports, 9 – 24
VDD_V2_[8:1]	Power	1.0 V or 1.2 V power supply for SERDES6G ports, 25 – 32 and PCIe
VSS_[192:1]	Ground	Ground reference

10.2.8 SERDES1G

The following table lists the pins that use the SERDES1G differential macro. For information about the protocols and data rates supported by the SERDES1G macro, see [Supported Port Interfaces](#), page 27.

Table 396 • SERDES1G Pins

Name	I/O	Type	Description
S0_RXN S0_RXP	I	LVDS, TD	Differential 1G NPI data inputs.
S0_TXN S0_TXP	O	LVDS	Differential 1G NPI data outputs.
S[8:1]_RXN S[8:1]_RXP	I	LVDS, TD	Differential 1G data inputs.
S[8:1]_TXN S[8:1]_TXP	O	LVDS	Differential 1G data outputs.

10.2.9 SERDES6G

The following table lists the pins that use the SERDES6G differential macro. The port numbers for QSGMII, XAUI, and RXAUI is represented by *n*. For information about the protocols and data rates supported by the SERDES6G macro, see [Supported Port Interfaces](#), page 27.

Table 397 • SERDES6G Pins

Name	I/O	Type	Description
S[12:9]_RXN S[12:9]_RXP	I	CML, TD	Differential data inputs. 2.5G/1G
S[12:9]_TXN S[12:9]_TXP	O	CML	Differential data outputs. 2.5G/1G
S13_RXN S13_RXP	I	CML, TD	Differential data inputs. QSGMII0/2.5G/1G
S13_TXN S13_TXP	O	CML	Differential data outputs. QSGMII0/2.5G/1G
S14_RXN S14_RXP	I	CML, TD	Differential data inputs. QSGMII1/2.5G/1G
S14_TXN S14_TXP	O	CML	Differential data outputs. QSGMII1/2.5G/1G
S15_RXN S15_RXP	I	CML, TD	Differential data inputs. QSGMII2/2.5G/1G
S15_TXN S15_TXP	O	CML	Differential data outputs. QSGMII2/2.5G/1G
S16_RXN S16_RXP	I	CML, TD	Differential data inputs. QSGMII3/2.5G/1G
S16_TXN S16_TXP	O	CML	Differential data outputs. QSGMII3/2.5G/1G
S17_RXN S17_RXP	I	CML, TD	Differential data inputs. QSGMII4/RXAUI2/XAUI2/2.5G/1G
S17_TXN S17_TXP	O	CML	Differential data outputs. QSGMII4/RXAUI2/XAUI2/2.5G/1G

Table 397 • SERDES6G Pins (continued)

Name	I/O	Type	Description
S18_RXN S18_RXP	I	CML, TD	Differential data inputs. QSGMII5/XAUI2/2.5G/1G
S18_TXN S18_TXP	O	CML	Differential data outputs. QSGMII5/XAUI2/2.5G/1G
S19_RXN S19_RXP	I	CML, TD	Differential data inputs. QSGMII6/RXAUI2/XAUI2/2.5G/1G
S19_TXN S19_TXP	O	CML	Differential data outputs. QSGMII6/RXAUI2/XAUI2/2.5G/1G
S20_RXN S20_RXP	I	CML, TD	Differential data inputs. QSGMII7/XAUI2/2.5G/1G
S20_TXN S20_TXP	O	CML	Differential data outputs. QSGMII7/XAUI2/2.5G/1G
S21_RXN S21_RXP	I	CML, TD	Differential data inputs. QSGMII8/RXAUI3/XAUI3/2.5G/1G
S21_TXN S21_TXP	O	CML	Differential data outputs. QSGMII8/RXAUI3/XAUI3/2.5G/1G
S22_RXN S22_RXP	I	CML, TD	Differential data inputs. QSGMII9/XAUI3/2.5G/1G
S22_TXN S22_TXP	O	CML	Differential data outputs. QSGMII9/XAUI3/2.5G/1G
S23_RXN S23_RXP	I	CML, TD	Differential data inputs. QSGMII10/RXAUI3/XAUI3/2.5G/1G
S23_TXN S23_TXP	O	CML	Differential data outputs. QSGMII10/RXAUI3/XAUI3/2.5G/1G
S24_RXN S24_RXP	I	CML, TD	Differential data inputs. QSGMII11/XAUI3/2.5G/1G
S24_TXN S24_TXP	O	CML	Differential data outputs. QSGMII11/XAUI3/2.5G/1G
S25_RXN S25_RXP	I	CML, TD	Differential data inputs. RXAUI0/XAUI0/2.5G/1G
S25_TXN S25_TXP	O	CML	Differential data outputs. RXAUI0/XAUI0/2.5G/1G
S26_RXN S26_RXP	I	CML, TD	Differential data inputs. XAUI0/2.5G/1G
S26_TXN S26_TXP	O	CML	Differential data outputs. XAUI0/2.5G/1G
S27_RXN S27_RXP	I	CML, TD	Differential data inputs. RXAUI0/XAUI0/2.5G/1G
S27_TXN S27_TXP	O	CML	Differential data outputs. RXAUI0/XAUI0/2.5G/1G
S28_RXN S28_RXP	I	CML, TD	Differential data inputs. XAUI0/2.5G/1G
S28_TXN S28_TXP	O	CML	Differential data outputs. XAUI0/2.5G/1G

Table 397 • SERDES6G Pins (continued)

Name	I/O	Type	Description
S29_RXN S29_RXP	I	CML, TD	Differential data inputs. RXAU11/XAU11/2.5G/1G
S29_TXN S29_TXP	O	CML	Differential data outputs. RXAU11/XAU11/2.5G/1G
S30_RXN S30_RXP	I	CML, TD	Differential data inputs. XAU11/2.5G/1G
S30_TXN S30_TXP	O	CML	Differential data outputs. XAU11/2.5G/1G
S31_RXN S31_RXP	I	CML, TD	Differential data inputs. RXAU11/XAU11/2.5G/1G
S31_TXN S31_TXP	O	CML	Differential data outputs. RXAU11/XAU11/2.5G/1G
S32_RXN S32_RXP	I	CML, TD	Differential data inputs. XAU11/2.5G/1G
S32_TXN S32_TXP	O	CML	Differential data outputs. XAU11/2.5G/1G

10.2.10 SERDES10G

The following table lists the pins that use the SERDES10G differential macro. For information about the protocols and data rates supported by the SERDES10G macro, see [Supported Port Interfaces](#), page 27.

Table 398 • SERDES10G Pins

Name	I/O	Type	Description
S[36:33]_RXN S[36:33]_RXP	I	CML, TD	Differential data inputs. 10G/2.5G/1G
S[36:33]_TXN S[36:33]_TXP	O	CML	Differential data outputs. 10G/2.5G/1G

10.2.11 Serial CPU Interface

The serial CPU interface (SI) can be used as a serial slave, master, or boot interface.

As a slave interface, it allows external CPUs to access internal registers. As a master interface, it allows the device to access external devices using a programmable protocol. The serial CPU interface also allows the internal VCore-III CPU system to boot from an attached serial memory device when the VCore_CFG signals are set appropriately.

The following table lists the pins associated with the serial CPU interface.

Table 399 • Serial CPU Interface Pins

Name	I/O	Type	Description
SI_CLK	I/O	PU, ST, 3V, LVCMOS	Slave mode: Input receiving serial interface clock from external master. Master mode: Output driven with clock to external device. Boot mode: Output driven with clock to external serial memory device.
SI_DI	I	PU, ST, 3V, LVCMOS	Slave mode: Input receiving serial interface data from external master. Master mode: Input data from external device. Boot mode: Input boot data from external serial memory device.

Table 399 • Serial CPU Interface Pins (continued)

Name	I/O	Type	Description
SI_DO	O	OZ, PU, 3V, LVCMOS	Slave mode: Output transmitting serial interface data to external master. Master mode: Output data to external device. Boot mode: Output boot control data to external serial memory device.
SI_nCS0	I/O	PU, ST, 3V, LVCMOS	Slave mode: Input used to enable SI slave interface. 0 = Enabled 1 = Disabled Master mode: Output driven low while accessing external device. Boot mode: Output driven low while booting from EEPROM or serial flash to internal VCore-III CPU system. Released when booting is completed.

10.2.12 System Clock Interface

The following table lists the pins associated with the system clock interface.

Table 400 • System Clock Interface Pins

Name	I/O	Type	Description
CLKOUT2_N CLKOUT2_P	O	LVDS	PLL2 clock output. Leave floating if not used.
HS_TST_N HS_TST_P	O	LVDS	PLL test output. Connect to test point.
RCVRD_CLK[3:0]		OZ, LVCMOS	The output clock frequency can be between 25 MHz and 161 MHz, based on the selected active recovered media programmed for this pin and the divider configuration. These pins are not active when nRESET is asserted. Clock outputs can be enabled or disabled from registers. When disabled, the pin is held low.
REFCLK2_EN	I	PD, LVCMOS	Reference clock frequency enable.
REFCLK_SEL[2:0] REFCLK2_SEL[2:0]	I	PD, 3V, LVCMOS	Reference clock frequency selection. 0: Connect to pull-down or leave floating. 1: Connect to pull-up to V_{DD_IO33} . Coding: 000: 125 MHz (default). 001: 156.25 MHz. 010: 250 MHz. 011: Reserved. 100: 25 MHz (REFCLK2_SEL[2:0] only). 101: Reserved. 110: Reserved. 111: Reserved.
REFCLK_N REFCLK_P REFCLK2_N REFCLK2_P	I	LVDS, TD, LVCMOS	Reference clock inputs. The inputs can be either differential or single-ended. In differential mode (LVDS), REFCLK_P/REFCLK2_P is the true part of the differential signal, and REFCLK_N/REFCLK2_N is the complement part of the differential signal. In single-ended mode (LVCMOS), REFCLK_P/REFCLK2_P is used as single-ended LVTTTL input. REFCLK_N/REFCLK2_N should be left floating, and the PLL registers must be configured for single-ended operation. Required applied frequency depends on REFCLK_SEL[2:0] and REFCLK2_SEL[2:0] input state.

10.3 Pins by Number for VSC7449-02

This section provides a numeric list of the VSC7449-02 pins.

A2	GPIO_48	AA15	VDD_V1_7	AC1	MDC0
A3	GPIO_41	AA16	VDD_V1_8	AC2	VDD_IOMIIM0
A4	GPIO_43	AA17	VSS_176	AC3	S1_TXP
A5	GPIO_45	AA18	VDD_V1_9	AC4	S2_TXP
A6	GPIO_47	AA19	VDD_V1_10	AC5	S3_TXP
A7	GPIO_36	AA20	VDD_ref25_2	AC6	S4_TXP
A8	GPIO_35	AA21	VSS_177	AC7	S5_TXP
A9	GPIO_20	AA22	S33_TXP	AC8	S6_TXP
A10	GPIO_0	AA23	S33_TXN	AC9	S7_TXP
A11	GPIO_4	AA24	VSS_178	AC10	S8_TXP
A12	GPIO_8	AA25	RESERVED_4	AC11	S9_TXP
A13	GPIO_10	AA26	VSS_179	AC12	S10_TXP
A14	GPIO_14	AB1	MDI00	AC13	S11_TXP
A15	SI_CLK	AB2	DDR_Vref	AC14	S12_TXP
A16	SI_DI	AB3	SERDES_Rext_1	AC15	S13_TXP
A17	JTAG_ICE_nEN	AB4	SERDES_Rext_0	AC16	S14_TXP
A18	THERMDA	AB5	VSS_180	AC17	S15_TXP
A19	nRESET	AB6	VSS_181	AC18	S16_TXP
A20	GPIO_57	AB7	VSS_182	AC19	S17_TXP
A21	GPIO_59	AB8	VDD_S_5	AC20	S18_TXP
A22	CLKOUT2_P	AB9	VDD_S_6	AC21	S19_TXP
A23	CLKOUT2_N	AB10	VSS_183	AC22	S20_TXP
A24	REFCLK2_P	AB11	VDD_S_7	AC23	S21_TXP
A25	REFCLK2_N	AB12	VDD_S_8	AC24	S22_TXP
AA1	DDR_nCS1	AB13	VSS_184	AC25	S23_TXP
AA2	NC_6	AB14	VSS_185	AC26	S24_TXN
AA3	NC_7	AB15	VDD_V1_11	AD1	S0_TXN
AA4	VSS_169	AB16	VDD_V1_12	AD2	S0_TXP
AA5	VSS_170	AB17	VSS_186	AD3	S1_TXN
AA6	VSS_171	AB18	VDD_V1_13	AD4	S2_TXN
AA7	VSS_172	AB19	VDD_V1_14	AD5	S3_TXN
AA8	VDD_S_1	AB20	VSS_187	AD6	S4_TXN
AA9	VDD_S_2	AB21	VSS_188	AD7	S5_TXN
AA10	VSS_173	AB22	VSS_189	AD8	S6_TXN
AA11	VDD_S_3	AB23	VSS_190	AD9	S7_TXN
AA12	VDD_S_4	AB24	VSS_191	AD10	S8_TXN
AA13	VSS_174	AB25	VSS_192	AD11	S9_TXN
AA14	VSS_175	AB26	S24_TXP	AD12	S10_TXN

Pins by number (continued)

AD13	S11_TXN	AF3	S1_RXN	B19	NC_1
AD14	S12_TXN	AF4	S2_RXN	B20	GPIO_56
AD15	S13_TXN	AF5	S3_RXN	B21	GPIO_58
AD16	S14_TXN	AF6	S4_RXN	B22	PCIE_TXP
AD17	S15_TXN	AF7	S5_RxN	B23	PCIE_TXN
AD18	S16_TXN	AF8	S6_RXN	B24	NC_9
AD19	S17_TXN	AF9	S7_RXN	B25	PCIE_RXP
AD20	S18_TXN	AF10	S8_RXN	B26	PCIE_RXN
AD21	S19_TXN	AF11	S9_RXN	C1	GPIO_51
AD22	S20_TXN	AF12	S10_RXN	C2	GPIO_52
AD23	S21_TXN	AF13	S11_RXN	C3	GPIO_33
AD24	S22_TXN	AF14	S12_RXN	C4	GPIO_30
AD25	S23_TXN	AF15	S13_RXN	C5	GPIO_28
AD26	S24_RXP	AF16	S14_RXN	C6	GPIO_26
AE1	S0_RXN	AF17	S15_RXN	C7	GPIO_24
AE2	S0_RXP	AF18	S16_RXN	C8	GPIO_37
AE3	S1_RXP	AF19	S17_RXN	C9	GPIO_22
AE4	S2_RXP	AF20	S18_RXN	C10	GPIO_2
AE5	S3_RXP	AF21	S19_RXN	C11	GPIO_6
AE6	S4_RXP	AF22	S20_RXN	C12	GPIO_12
AE7	S5_RxP	AF23	S21_RXN	C13	RESERVED_0
AE8	S6_RXP	AF24	S22_RXN	C14	VDD_1
AE9	S7_RXP	AF25	S23_RXN	C15	GPIO_17
AE10	S8_RXP	B1	GPIO_50	C16	REFCLK_SEL1
AE11	S9_RXP	B2	GPIO_49	C17	REFCLK_SEL2
AE12	S10_RXP	B3	GPIO_32	C18	NC_2
AE13	S11_RXP	B4	GPIO_40	C19	GPIO_63
AE14	S12_RXP	B5	GPIO_42	C20	GPIO_61
AE15	S13_RXP	B6	GPIO_44	C21	RCVRD_CLK2
AE16	S14_RXP	B7	GPIO_46	C22	RCVRD_CLK0
AE17	S15_RXP	B8	GPIO_34	C23	RCVRD_CLK1
AE18	S16_RXP	B9	GPIO_21	C24	JTAG_TDI
AE19	S17_RXP	B10	GPIO_1	C25	JTAG_TDO
AE20	S18_RXP	B11	GPIO_5	C26	JTAG_TCK
AE21	S19_RXP	B12	GPIO_9	D1	GPIO_53
AE22	S20_RXP	B13	GPIO_11	D2	GPIO_54
AE23	S21_RXP	B14	GPIO_15	D3	GPIO_55
AE24	S22_RXP	B15	SI_DO	D4	GPIO_31
AE25	S23_RXP	B16	SI_nCS0	D5	GPIO_29
AE26	S24_RXN	B17	NC_3	D6	GPIO_27
AF2	NC_8	B18	THERMDC	D7	GPIO_25

Pins by number (continued)

D8	GPIO_19	E23	S32_TXN	G12	VDD_5
D9	GPIO_23	E24	VSS_12	G13	VSS_27
D10	GPIO_3	E25	S31_RXP	G14	VSS_28
D11	GPIO_7	E26	S31_RXN	G15	VDD_6
D12	GPIO_13	F1	RESERVED_3	G16	VDD_7
D13	VSS_1	F2	RESERVED_2	G17	VSS_29
D14	VSS_2	F3	RESERVED_1	G18	VDD_8
D15	GPIO_18	F4	VSS_13	G19	VDD_9
D16	GPIO_16	F5	VSS_14	G20	VDD_V2_1
D17	REFCLK_SEL0	F6	VSS_15	G21	VDD_V2_2
D18	RCVRD_CLK3	F7	VSS_16	G22	S30_TXP
D19	GPIO_62	F8	VDD_IO_11	G23	S30_TXN
D20	GPIO_60	F9	VDD_IO_12	G24	VSS_30
D21	VDD_IO_1	F10	VSS_17	G25	S29_RXP
D22	JTAG_TMS	F11	VDD_IO_13	G26	S29_RXN
D23	JTAG_nTRST	F12	VDD_IO_14	H1	DDR_nCS0
D24	VSS_3	F13	VSS_18	H2	NC_5
D25	S32_RXP	F14	VSS_19	H3	GPIO_38
D26	S32_RXN	F15	VDD_IO_15	H4	GPIO_39
E1	REFCLK2_EN	F16	VDD_IO_16	H5	VDD_IO_21
E2	REFCLK2_SEL2	F17	VSS_20	H6	VDD_IO_22
E3	REFCLK2_SEL1	F18	VSS_21	H7	VSS_31
E4	REFCLK2_SEL0	F19	VSS_22	H8	VDD_10
E5	VSS_4	F20	VDD_IO_17	H9	VDD_11
E6	VDD_IO_2	F21	VDD_IO_18	H10	VSS_32
E7	VSS_5	F22	S31_TXP	H11	VDD_12
E8	VDD_IO_3	F23	S31_TXN	H12	VDD_13
E9	VDD_IO_4	F24	VSS_23	H13	VSS_33
E10	VSS_6	F25	S30_RXP	H14	VSS_34
E11	VDD_IO_5	F26	S30_RXN	H15	VDD_14
E12	VDD_IO_6	G1	DDR_A15	H16	VDD_15
E13	VSS_7	G2	DDR_A14	H17	VSS_35
E14	VSS_8	G3	NC_4	H18	VDD_16
E15	VDD_IO_7	G4	VSS_24	H19	VDD_17
E16	VDD_IO_8	G5	VDD_IO_19	H20	VDD_V2_3
E17	VSS_9	G6	VDD_IO_20	H21	VDD_V2_4
E18	VSS_10	G7	VSS_25	H22	S29_TXP
E19	VSS_11	G8	VDD_2	H23	S29_TXN
E20	VDD_IO_9	G9	VDD_3	H24	VSS_36
E21	VDD_IO_10	G10	VSS_26	H25	S28_RXP
E22	S32_TXP	G11	VDD_4	H26	S28_RXN

Pins by number (continued)

J1	DDR_LDQS
J2	DDR_LDQSn
J3	DDR_LDM
J4	DDR_DQ6
J5	VSS_37
J6	VSS_38
J7	VSS_39
J8	VSS_40
J9	VSS_41
J10	VSS_42
J11	VSS_43
J12	VSS_44
J13	VSS_45
J14	VSS_46
J15	VSS_47
J16	VSS_48
J17	VSS_49
J18	VSS_50
J19	VSS_51
J20	VSS_52
J21	VSS_53
J22	S28_TXP
J23	S28_TXN
J24	VSS_54
J25	S27_RXP
J26	S27_RXN
K1	DDR_DQ0
K2	DDR_DQ7
K3	DDR_DQ3
K4	DDR_DQ1
K5	VDD_IODDR_1
K6	VDD_IODDR_2
K7	VSS_55
K8	VDD_18
K9	VDD_19
K10	VSS_56
K11	VDD_20
K12	VDD_21
K13	VSS_57
K14	VSS_58
K15	VDD_22
K16	VDD_23
K17	VSS_59
K18	VDD_24
K19	VDD_25
K20	VDD_V2_5
K21	VDD_V2_6
K22	S27_TXP
K23	S27_TXN
K24	VSS_60
K25	S26_RXP
K26	S26_RXN
L1	DDR_DQ5
L2	DDR_DQ2
L3	DDR_nRAS
L4	DDR_DQ4
L5	VDD_IODDR_3
L6	VDD_IODDR_4
L7	VSS_61
L8	VDD_26
L9	VDD_27
L10	VSS_62
L11	VDD_28
L12	VDD_29
L13	VSS_63
L14	VSS_64
L15	VDD_30
L16	VDD_31
L17	VSS_65
L18	VDD_32
L19	VDD_33
L20	VDD_V2_7
L21	VDD_V2_8
L22	S26_TXP
L23	S26_TXN
L24	VSS_66
L25	S25_RXP
L26	S25_RXN
M1	DDR_A0
M2	DDR_ODT0
M3	DDR_A2
M4	DDR_nCAS
M5	VSS_67
M6	VSS_68
M7	VSS_69
M8	VSS_70
M9	VSS_71
M10	VSS_72
M11	VSS_73
M12	VSS_74
M13	VSS_75
M14	VSS_76
M15	VSS_77
M16	VSS_78
M17	VSS_79
M18	VSS_80
M19	VSS_81
M20	VSS_82
M21	VSS_83
M22	S25_TXP
M23	S25_TXN
M24	VSS_84
M25	REFCLK_P
M26	REFCLK_N
N1	DDR_A8
N2	DDR_A4
N3	DDR_nWE
N4	DDR_A6
N5	VSS_85
N6	VSS_86
N7	VSS_87
N8	VSS_88
N9	VSS_89
N10	VSS_90
N11	VSS_91
N12	VSS_92
N13	VSS_93
N14	VSS_94
N15	VSS_95
N16	VSS_96
N17	VSS_97
N18	VSS_98
N19	VSS_99

Pins by number (continued)

N20	VSS_100
N21	VSS_101
N22	HS_TST_P
N23	HS_TST_N
N24	VSS_102
N25	VSS_103
N26	VSS_104
P1	DDR_CK _n
P2	DDR_CK
P3	DDR_A11
P4	DDR_A13
P5	VDD_IODDR_5
P6	VDD_IODDR_6
P7	VSS_105
P8	VDD_34
P9	VDD_35
P10	VSS_106
P11	VDD_36
P12	VDD_37
P13	VSS_107
P14	VSS_108
P15	VDD_38
P16	VDD_39
P17	VSS_109
P18	VDD_40
P19	VDD_41
P20	VDD_V1_1
P21	VDD_V1_2
P22	VDD_HS_1
P23	VDD_HS_2
P24	VSS_110
P25	S36_RXP
P26	S36_RXN
R1	DDR_A12
R2	DDR_A7
R3	DDR_A9
R4	DDR_A5
R5	VDD_IODDR_7
R6	VDD_IODDR_8
R7	VSS_112
R8	VDD_42
R9	VDD_43
R10	VSS_111
R11	VDD_44
R12	VDD_45
R13	VSS_113
R14	VSS_114
R15	VDD_46
R16	VDD_47
R17	VSS_115
R18	VDD_48
R19	VDD_49
R20	VDD_V1_3
R21	VDD_V1_4
R22	S36_TXP
R23	S36_TXN
R24	VSS_116
R25	VSS_117
R26	VSS_118
T1	DDR_A3
T2	DDR_A10
T3	DDR_A1
T4	DDR_BA1
T5	VSS_119
T6	VSS_120
T7	VSS_121
T8	VSS_122
T9	VSS_123
T10	VSS_124
T11	VSS_125
T12	VSS_126
T13	VSS_127
T14	VSS_128
T15	VSS_129
T16	VSS_130
T17	VSS_131
T18	VSS_132
T19	VSS_133
T20	VSS_134
T21	VSS_135
T22	VDD_HS_3
T23	VDD_HS_4
T24	VSS_136
T25	S35_RXP
T26	S35_RXN
U1	DDR_BA0
U2	DDR_BA2
U3	DDR_CKE
U4	DDR_ODT1
U5	VDD_IODDR_9
U6	VDD_IODDR_10
U7	VSS_137
U8	VDD_50
U9	VDD_51
U10	VSS_138
U11	VDD_52
U12	VDD_53
U13	VSS_139
U14	VSS_140
U15	VDD_54
U16	VDD_55
U17	VSS_141
U18	VDD_56
U19	VDD_57
U20	VDD_A_1
U21	VDD_V1_5
U22	S35_TXP
U23	S35_TXN
U24	VSS_142
U25	VSS_143
U26	VSS_144
V1	DDR_DQ12
V2	DDR_DQ11
V3	DDR_DQ10
V4	DDR_DQ13
V5	VDD_IODDR_11
V6	VDD_IODDR_12
V7	VSS_145
V8	VDD_58
V9	VDD_59
V10	VSS_146
V11	VDD_60
V12	VDD_61

Pins by number (continued)

V13	VSS_147	Y2	DDR_UDM
V14	VSS_148	Y3	DDR_UDQS
V15	VDD_62	Y4	DDR_UDQSn
V16	VDD_63	Y5	VDD_IODDR_13
V17	VSS_149	Y6	VDD_IODDR_14
V18	VDD_64	Y7	VSS_162
V19	VDD_65	Y8	VDD_A_11
V20	VDD_A_2	Y9	VDD_A_12
V21	VDD_V1_6	Y10	VSS_163
V22	VDD_HS_5	Y11	VDD_A_13
V23	VDD_HS_6	Y12	VDD_A_14
V24	VSS_150	Y13	VSS_164
V25	S34_RXP	Y14	VSS_165
V26	S34_RXN	Y15	VDD_A_15
W1	DDR_DQ9	Y16	VDD_A_16
W2	DDR_DQ14	Y17	VSS_166
W3	DDR_DQ8	Y18	VDD_A_17
W4	DDR_DQ15	Y19	VDD_A_18
W5	VSS_151	Y20	VDD_ref25_1
W6	VSS_152	Y21	VSS_167
W7	VSS_153	Y22	VDD_HS_7
W8	VDD_A_3	Y23	VDD_HS_8
W9	VDD_A_4	Y24	VSS_168
W10	VSS_154	Y25	S33_RXP
W11	VDD_A_5	Y26	S33_RXN
W12	VDD_A_6		
W13	VSS_155		
W14	VSS_156		
W15	VDD_A_7		
W16	VDD_A_8		
W17	VSS_157		
W18	VDD_A_9		
W19	VDD_A_10		
W20	VDD_ref25_0		
W21	VSS_158		
W22	S34_TXP		
W23	S34_TXN		
W24	VSS_159		
W25	VSS_160		
W26	VSS_161		
Y1	DDR_Rext		

10.4 Pins by Name for VSC7449-02

This section provides an alphabetic list of the VSC7449-02 pins.

CLKOUT2_N	A23	DDR_DQ14	W2	GPIO_21	B9
CLKOUT2_P	A22	DDR_DQ15	W4	GPIO_22	C9
DDR_A0	M1	DDR_LDM	J3	GPIO_23	D9
DDR_A1	T3	DDR_LDQS	J1	GPIO_24	C7
DDR_A2	M3	DDR_LDQSn	J2	GPIO_25	D7
DDR_A3	T1	DDR_nCAS	M4	GPIO_26	C6
DDR_A4	N2	DDR_nCS0	H1	GPIO_27	D6
DDR_A5	R4	DDR_nCS1	AA1	GPIO_28	C5
DDR_A6	N4	DDR_nRAS	L3	GPIO_29	D5
DDR_A7	R2	DDR_nWE	N3	GPIO_30	C4
DDR_A8	N1	DDR_ODT0	M2	GPIO_31	D4
DDR_A9	R3	DDR_ODT1	U4	GPIO_32	B3
DDR_A10	T2	DDR_Rext	Y1	GPIO_33	C3
DDR_A11	P3	DDR_UDM	Y2	GPIO_34	B8
DDR_A12	R1	DDR_UDQS	Y3	GPIO_35	A8
DDR_A13	P4	DDR_UDQSn	Y4	GPIO_36	A7
DDR_A14	G2	DDR_Vref	AB2	GPIO_37	C8
DDR_A15	G1	GPIO_0	A10	GPIO_38	H3
DDR_BA0	U1	GPIO_1	B10	GPIO_39	H4
DDR_BA1	T4	GPIO_2	C10	GPIO_40	B4
DDR_BA2	U2	GPIO_3	D10	GPIO_41	A3
DDR_CK	P2	GPIO_4	A11	GPIO_42	B5
DDR_CKE	U3	GPIO_5	B11	GPIO_43	A4
DDR_CKn	P1	GPIO_6	C11	GPIO_44	B6
DDR_DQ0	K1	GPIO_7	D11	GPIO_45	A5
DDR_DQ1	K4	GPIO_8	A12	GPIO_46	B7
DDR_DQ2	L2	GPIO_9	B12	GPIO_47	A6
DDR_DQ3	K3	GPIO_10	A13	GPIO_48	A2
DDR_DQ4	L4	GPIO_11	B13	GPIO_49	B2
DDR_DQ5	L1	GPIO_12	C12	GPIO_50	B1
DDR_DQ6	J4	GPIO_13	D12	GPIO_51	C1
DDR_DQ7	K2	GPIO_14	A14	GPIO_52	C2
DDR_DQ8	W3	GPIO_15	B14	GPIO_53	D1
DDR_DQ9	W1	GPIO_16	D16	GPIO_54	D2
DDR_DQ10	V3	GPIO_17	C15	GPIO_55	D3
DDR_DQ11	V2	GPIO_18	D15	GPIO_56	B20
DDR_DQ12	V1	GPIO_19	D8	GPIO_57	A20
DDR_DQ13	V4	GPIO_20	A9	GPIO_58	B21

Pins by name (continued)

GPIO_59	A21	REFCLK2_SEL0	E4	S8_RXP	AE10
GPIO_60	D20	REFCLK2_SEL1	E3	S8_TXN	AD10
GPIO_61	C20	REFCLK2_SEL2	E2	S8_TXP	AC10
GPIO_62	D19	RESERVED_0	C13	S9_RXN	AF11
GPIO_63	C19	RESERVED_1	F3	S9_RXP	AE11
HS_TST_N	N23	RESERVED_2	F2	S9_TXN	AD11
HS_TST_P	N22	RESERVED_3	F1	S9_TXP	AC11
JTAG_ICE_nEN	A17	RESERVED_4	AA25	S10_RXN	AF12
JTAG_nTRST	D23	S0_RXN	AE1	S10_RXP	AE12
JTAG_TCK	C26	S0_RXP	AE2	S10_TXN	AD12
JTAG_TDI	C24	S0_TXN	AD1	S10_TXP	AC12
JTAG_TDO	C25	S0_TXP	AD2	S11_RXN	AF13
JTAG_TMS	D22	S1_RXN	AF3	S11_RXP	AE13
MDC0	AC1	S1_RXP	AE3	S11_TXN	AD13
MDIO0	AB1	S1_TXN	AD3	S11_TXP	AC13
NC_1	B19	S1_TXP	AC3	S12_RXN	AF14
NC_2	C18	S2_RXN	AF4	S12_RXP	AE14
NC_3	B17	S2_RXP	AE4	S12_TXN	AD14
NC_4	G3	S2_TXN	AD4	S12_TXP	AC14
NC_5	H2	S2_TXP	AC4	S13_RXN	AF15
NC_6	AA2	S3_RXN	AF5	S13_RXP	AE15
NC_7	AA3	S3_RXP	AE5	S13_TXN	AD15
NC_8	AF2	S3_TXN	AD5	S13_TXP	AC15
NC_9	B24	S3_TXP	AC5	S14_RXN	AF16
nRESET	A19	S4_RXN	AF6	S14_RXP	AE16
PCIE_RXN	B26	S4_RXP	AE6	S14_TXN	AD16
PCIE_RXP	B25	S4_TXN	AD6	S14_TXP	AC16
PCIE_TXN	B23	S4_TXP	AC6	S15_RXN	AF17
PCIE_TXP	B22	S5_RXN	AF7	S15_RXP	AE17
RCVRD_CLK0	C22	S5_RXP	AE7	S15_TXN	AD17
RCVRD_CLK1	C23	S5_TXN	AD7	S15_TXP	AC17
RCVRD_CLK2	C21	S5_TXP	AC7	S16_RXN	AF18
RCVRD_CLK3	D18	S6_RXN	AF8	S16_RXP	AE18
REFCLK_N	M26	S6_RXP	AE8	S16_TXN	AD18
REFCLK_P	M25	S6_TXN	AD8	S16_TXP	AC18
REFCLK_SEL0	D17	S6_TXP	AC8	S17_RXN	AF19
REFCLK_SEL1	C16	S7_RXN	AF9	S17_RXP	AE19
REFCLK_SEL2	C17	S7_RXP	AE9	S17_TXN	AD19
REFCLK2_EN	E1	S7_TXN	AD9	S17_TXP	AC19
REFCLK2_N	A25	S7_TXP	AC9	S18_RXN	AF20
REFCLK2_P	A24	S8_RXN	AF10	S18_RXP	AE20

Pins by name (continued)

S18_TXN	AD20	S28_TXP	J22	VDD_1	C14
S18_TXP	AC20	S29_RXN	G26	VDD_2	G8
S19_RXN	AF21	S29_RXP	G25	VDD_3	G9
S19_RXP	AE21	S29_TXN	H23	VDD_4	G11
S19_TXN	AD21	S29_TXP	H22	VDD_5	G12
S19_TXP	AC21	S30_RXN	F26	VDD_6	G15
S20_RXN	AF22	S30_RXP	F25	VDD_7	G16
S20_RXP	AE22	S30_TXN	G23	VDD_8	G18
S20_TXN	AD22	S30_TXP	G22	VDD_9	G19
S20_TXP	AC22	S31_RXN	E26	VDD_10	H8
S21_RXN	AF23	S31_RXP	E25	VDD_11	H9
S21_RXP	AE23	S31_TXN	F23	VDD_12	H11
S21_TXN	AD23	S31_TXP	F22	VDD_13	H12
S21_TXP	AC23	S32_RXN	D26	VDD_14	H15
S22_RXN	AF24	S32_RXP	D25	VDD_15	H16
S22_RXP	AE24	S32_TXN	E23	VDD_16	H18
S22_TXN	AD24	S32_TXP	E22	VDD_17	H19
S22_TXP	AC24	S33_RXN	Y26	VDD_18	K8
S23_RXN	AF25	S33_RXP	Y25	VDD_19	K9
S23_RXP	AE25	S33_TXN	AA23	VDD_20	K11
S23_TXN	AD25	S33_TXP	AA22	VDD_21	K12
S23_TXP	AC25	S34_RXN	V26	VDD_22	K15
S24_RXN	AE26	S34_RXP	V25	VDD_23	K16
S24_RXP	AD26	S34_TXN	W23	VDD_24	K18
S24_TXN	AC26	S34_TXP	W22	VDD_25	K19
S24_TXP	AB26	S35_RXN	T26	VDD_26	L8
S25_RXN	L26	S35_RXP	T25	VDD_27	L9
S25_RXP	L25	S35_TXN	U23	VDD_28	L11
S25_TXN	M23	S35_TXP	U22	VDD_29	L12
S25_TXP	M22	S36_RXN	P26	VDD_30	L15
S26_RXN	K26	S36_RXP	P25	VDD_31	L16
S26_RXP	K25	S36_TXN	R23	VDD_32	L18
S26_TXN	L23	S36_TXP	R22	VDD_33	L19
S26_TXP	L22	SERDES_Rext_0	AB4	VDD_34	P8
S27_RXN	J26	SERDES_Rext_1	AB3	VDD_35	P9
S27_RXP	J25	SI_CLK	A15	VDD_36	P11
S27_TXN	K23	SI_DI	A16	VDD_37	P12
S27_TXP	K22	SI_DO	B15	VDD_38	P15
S28_RXN	H26	SI_nCS0	B16	VDD_39	P16
S28_RXP	H25	THERMDA	A18	VDD_40	P18
S28_TXN	J23	THERMDC	B18	VDD_41	P19

Pins by name (continued)

VDD_42	R8	VDD_A_18	Y19	VDD_IODDR_11	V5
VDD_43	R9	VDD_HS_1	P22	VDD_IODDR_12	V6
VDD_44	R11	VDD_HS_2	P23	VDD_IODDR_13	Y5
VDD_45	R12	VDD_HS_3	T22	VDD_IODDR_14	Y6
VDD_46	R15	VDD_HS_4	T23	VDD_IOMIIM0	AC2
VDD_47	R16	VDD_HS_5	V22	VDD_ref25_0	W20
VDD_48	R18	VDD_HS_6	V23	VDD_ref25_1	Y20
VDD_49	R19	VDD_HS_7	Y22	VDD_ref25_2	AA20
VDD_50	U8	VDD_HS_8	Y23	VDD_S_1	AA8
VDD_51	U9	VDD_IO_1	D21	VDD_S_2	AA9
VDD_52	U11	VDD_IO_2	E6	VDD_S_3	AA11
VDD_53	U12	VDD_IO_3	E8	VDD_S_4	AA12
VDD_54	U15	VDD_IO_4	E9	VDD_S_5	AB8
VDD_55	U16	VDD_IO_5	E11	VDD_S_6	AB9
VDD_56	U18	VDD_IO_6	E12	VDD_S_7	AB11
VDD_57	U19	VDD_IO_7	E15	VDD_S_8	AB12
VDD_58	V8	VDD_IO_8	E16	VDD_V1_1	P20
VDD_59	V9	VDD_IO_9	E20	VDD_V1_2	P21
VDD_60	V11	VDD_IO_10	E21	VDD_V1_3	R20
VDD_61	V12	VDD_IO_11	F8	VDD_V1_4	R21
VDD_62	V15	VDD_IO_12	F9	VDD_V1_5	U21
VDD_63	V16	VDD_IO_13	F11	VDD_V1_6	V21
VDD_64	V18	VDD_IO_14	F12	VDD_V1_7	AA15
VDD_65	V19	VDD_IO_15	F15	VDD_V1_8	AA16
VDD_A_1	U20	VDD_IO_16	F16	VDD_V1_9	AA18
VDD_A_2	V20	VDD_IO_17	F20	VDD_V1_10	AA19
VDD_A_3	W8	VDD_IO_18	F21	VDD_V1_11	AB15
VDD_A_4	W9	VDD_IO_19	G5	VDD_V1_12	AB16
VDD_A_5	W11	VDD_IO_20	G6	VDD_V1_13	AB18
VDD_A_6	W12	VDD_IO_21	H5	VDD_V1_14	AB19
VDD_A_7	W15	VDD_IO_22	H6	VDD_V2_1	G20
VDD_A_8	W16	VDD_IODDR_1	K5	VDD_V2_2	G21
VDD_A_9	W18	VDD_IODDR_2	K6	VDD_V2_3	H20
VDD_A_10	W19	VDD_IODDR_3	L5	VDD_V2_4	H21
VDD_A_11	Y8	VDD_IODDR_4	L6	VDD_V2_5	K20
VDD_A_12	Y9	VDD_IODDR_5	P5	VDD_V2_6	K21
VDD_A_13	Y11	VDD_IODDR_6	P6	VDD_V2_7	L20
VDD_A_14	Y12	VDD_IODDR_7	R5	VDD_V2_8	L21
VDD_A_15	Y15	VDD_IODDR_8	R6	VSS_1	D13
VDD_A_16	Y16	VDD_IODDR_9	U5	VSS_2	D14
VDD_A_17	Y18	VDD_IODDR_10	U6	VSS_3	D24

Pins by name (continued)

VSS_4	E5	VSS_45	J13	VSS_86	N6
VSS_5	E7	VSS_46	J14	VSS_87	N7
VSS_6	E10	VSS_47	J15	VSS_88	N8
VSS_7	E13	VSS_48	J16	VSS_89	N9
VSS_8	E14	VSS_49	J17	VSS_90	N10
VSS_9	E17	VSS_50	J18	VSS_91	N11
VSS_10	E18	VSS_51	J19	VSS_92	N12
VSS_11	E19	VSS_52	J20	VSS_93	N13
VSS_12	E24	VSS_53	J21	VSS_94	N14
VSS_13	F4	VSS_54	J24	VSS_95	N15
VSS_14	F5	VSS_55	K7	VSS_96	N16
VSS_15	F6	VSS_56	K10	VSS_97	N17
VSS_16	F7	VSS_57	K13	VSS_98	N18
VSS_17	F10	VSS_58	K14	VSS_99	N19
VSS_18	F13	VSS_59	K17	VSS_100	N20
VSS_19	F14	VSS_60	K24	VSS_101	N21
VSS_20	F17	VSS_61	L7	VSS_102	N24
VSS_21	F18	VSS_62	L10	VSS_103	N25
VSS_22	F19	VSS_63	L13	VSS_104	N26
VSS_23	F24	VSS_64	L14	VSS_105	P7
VSS_24	G4	VSS_65	L17	VSS_106	P10
VSS_25	G7	VSS_66	L24	VSS_107	P13
VSS_26	G10	VSS_67	M5	VSS_108	P14
VSS_27	G13	VSS_68	M6	VSS_109	P17
VSS_28	G14	VSS_69	M7	VSS_110	P24
VSS_29	G17	VSS_70	M8	VSS_111	R10
VSS_30	G24	VSS_71	M9	VSS_112	R7
VSS_31	H7	VSS_72	M10	VSS_113	R13
VSS_32	H10	VSS_73	M11	VSS_114	R14
VSS_33	H13	VSS_74	M12	VSS_115	R17
VSS_34	H14	VSS_75	M13	VSS_116	R24
VSS_35	H17	VSS_76	M14	VSS_117	R25
VSS_36	H24	VSS_77	M15	VSS_118	R26
VSS_37	J5	VSS_78	M16	VSS_119	T5
VSS_38	J6	VSS_79	M17	VSS_120	T6
VSS_39	J7	VSS_80	M18	VSS_121	T7
VSS_40	J8	VSS_81	M19	VSS_122	T8
VSS_41	J9	VSS_82	M20	VSS_123	T9
VSS_42	J10	VSS_83	M21	VSS_124	T10
VSS_43	J11	VSS_84	M24	VSS_125	T11
VSS_44	J12	VSS_85	N5	VSS_126	T12

Pins by name (continued)

VSS_127	T13	VSS_168	Y24
VSS_128	T14	VSS_169	AA4
VSS_129	T15	VSS_170	AA5
VSS_130	T16	VSS_171	AA6
VSS_131	T17	VSS_172	AA7
VSS_132	T18	VSS_173	AA10
VSS_133	T19	VSS_174	AA13
VSS_134	T20	VSS_175	AA14
VSS_135	T21	VSS_176	AA17
VSS_136	T24	VSS_177	AA21
VSS_137	U7	VSS_178	AA24
VSS_138	U10	VSS_179	AA26
VSS_139	U13	VSS_180	AB5
VSS_140	U14	VSS_181	AB6
VSS_141	U17	VSS_182	AB7
VSS_142	U24	VSS_183	AB10
VSS_143	U25	VSS_184	AB13
VSS_144	U26	VSS_185	AB14
VSS_145	V7	VSS_186	AB17
VSS_146	V10	VSS_187	AB20
VSS_147	V13	VSS_188	AB21
VSS_148	V14	VSS_189	AB22
VSS_149	V17	VSS_190	AB23
VSS_150	V24	VSS_191	AB24
VSS_151	W5	VSS_192	AB25
VSS_152	W6		
VSS_153	W7		
VSS_154	W10		
VSS_155	W13		
VSS_156	W14		
VSS_157	W17		
VSS_158	W21		
VSS_159	W24		
VSS_160	W25		
VSS_161	W26		
VSS_162	Y7		
VSS_163	Y10		
VSS_164	Y13		
VSS_165	Y14		
VSS_166	Y17		
VSS_167	Y21		

11 Package Information

The VSC7442YIH-02, VSC7444YIH-02, VSC7448YIH-02, and VSC7449YIH-02 packages are lead-free (Pb-free), 672-pin, flip chip ball grid array (FCBGA) with a 27 mm × 27 mm body size, 1 mm pin pitch, and 2.71 mm maximum height.

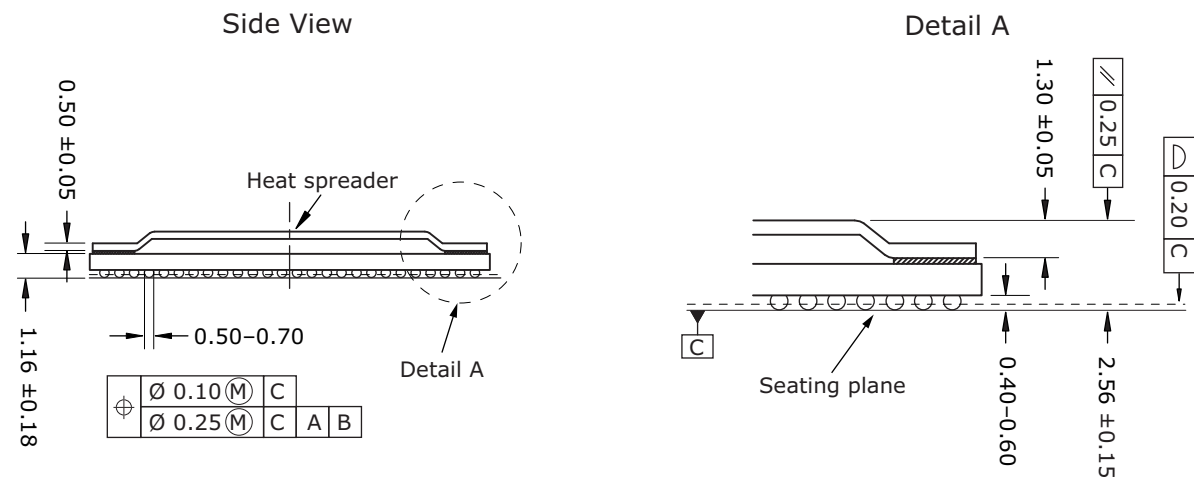
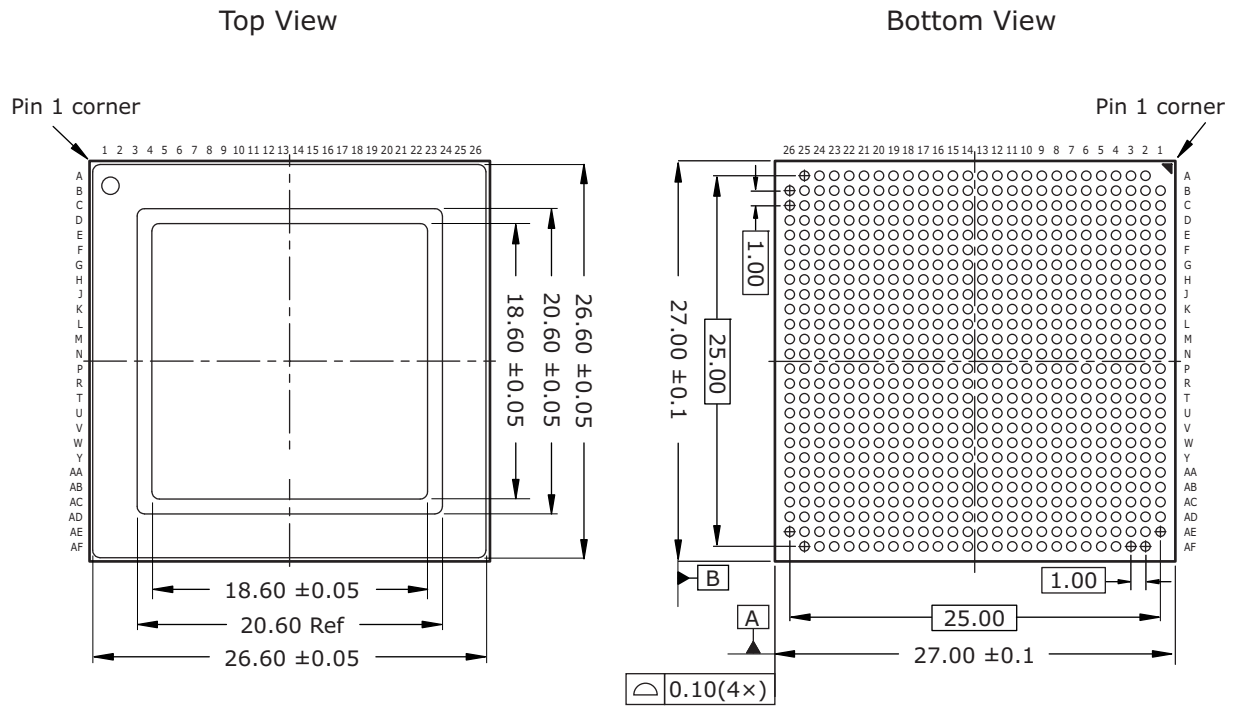
Lead-free products from Microsemi comply with the temperatures and profiles defined in the joint IPC and JEDEC standard IPC/JEDEC J-STD-020. For more information, see the IPC and JEDEC standard.

This section provides the package drawing, thermal specifications, and moisture sensitivity rating for the devices.

11.1 Package Drawing

The following illustration shows the package drawing for the devices. The drawing contains the top view, bottom view, side view, detail views, dimensions, tolerances, and notes.

Figure 149 • Package Drawing



Notes

1. All dimensions and tolerances are in millimeters (mm).
2. Radial true position is represented by typical values.

11.2 Thermal Specifications

Thermal specifications for these devices are based on the JEDEC JESD51 family of documents. These documents are available on the JEDEC Web site at www.jedec.org. The thermal specifications are modeled using a four-layer test board with two signal layers, a power plane, and a ground plane (2s2p

PCB). For more information about the thermal measurement method used for this device, see the JESD51-1 standard.

Table 401 • Thermal Resistances

Symbol	°C/W	Parameter
θ_{JCTop}	0.73	Die junction to package case top
θ_{JB}	6.5	Die junction to printed circuit board
θ_{JA}	11.3	Die junction to ambient
θ_{JMA} at 1 m/s	9.5	Die junction to moving air measured at an air speed of 1 m/s
θ_{JMA} at 2 m/s	7.7	Die junction to moving air measured at an air speed of 2 m/s

To achieve results similar to the modeled thermal measurements, the guidelines for board design described in the JESD51 family of publications must be applied. For information about applications using FCBGA packages, see the following:

- JESD51-2A, *Integrated Circuits Thermal Test Method Environmental Conditions, Natural Convection (Still Air)*
- JESD51-6, *Integrated Circuit Thermal Test Method Environmental Conditions, Forced Convection (Moving Air)*
- JESD51-8, *Integrated Circuit Thermal Test Method Environmental Conditions, Junction-to-Board*
- JESD51-9, *Test Boards for Area Array Surface Mount Package Thermal Measurements*

11.3 Moisture Sensitivity

This device is rated moisture sensitivity level 4 as specified in the joint IPC and JEDEC standard IPC/JEDEC J-STD-020. For more information, see the IPC and JEDEC standard.

12 Design Guidelines

This section provides information about design guidelines for the VSC7442-02, VSC7444-02, VSC7448-02, and VSC7449-02 devices.

12.1 Reference Clock

The REFCLK reference clock can be a 125 MHz, 156.25 MHz, or 250 MHz clock signal. The REFCLK2 reference clock can be a 25 MHz, 125 MHz, 156.25 MHz, or 250 MHz clock signal. The clock signals can be either differential or single-ended reference clocks. A 25 MHz reference clock is not supported on REFCLK.

12.1.1 Single-Ended REFCLK Input

An external resistor network is required to use a single-ended reference clock. The network limits the amplitude and adjusts the center of the swing.

To optimize jitter performance, configure the reference clock for single-ended operation after reset is released.

The following illustrations show configurations for a single-ended reference clock. The resistor values depend on the drive strength of clock signal. It must be ensured that the signal on REFCLK_P meets specified AC/DC specification requirements. For more information, see [Reference Clock](#), page 373 and [Reference Clock](#), page 379.

Figure 150 • 2.5 V CMOS Single-Ended REFCLK Input Resistor Network

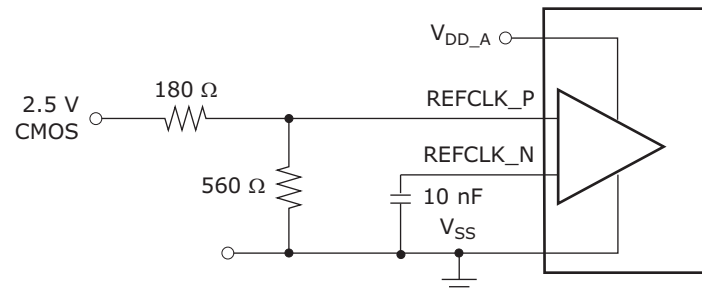
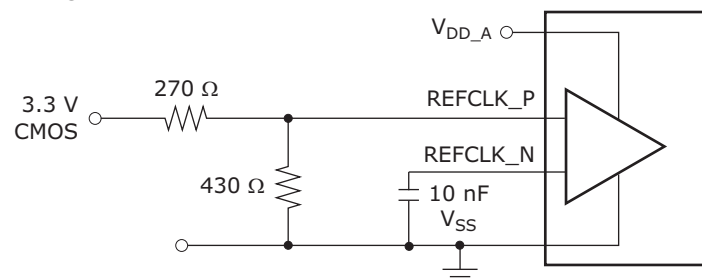


Figure 151 • 3.3 V CMOS Single-Ended REFCLK Input Resistor Network



13 Design Considerations

This section provides information about the design considerations for the VSC7442-02, VSC7444-02, and VSC7448-02 devices.

Frame rate shaping does not work

Frame rate shaping does not work for any shapers and must not be enabled. Only line and data rate modes can be used.

The shaper mode is configured in HSCH::SE_CFG.SE_FRM_MODE, where SE_FRM_MODE = 2 or 3 cannot be used.

sFLOW stamp placed in FCS is corrupted when stamped over cell boundary

An internal sFlow stamp is placed in the frame check sequence (FCS) bytes of a frame. When the stamp must be split into two cells, the stamp part to be placed in the last cell is never written. This implies that the FRAME_FWD_CNT and SAMPLE_CNT counters from the sFlow stamp are not available together with the frame. This affects frame sizes $N \times 176 - 28 - x$, where x is 1, 2, or 3.

When the CPU receives an sFlow sampled frame (IFH.FWD:SFLOW_MARKING is set) with corrupted stamp (frame size is one of the affected sizes), the CPU must read the ANA_AC:SFLOW:SFLOW_CNT register to access the latest values of FRAME_FWD_CNT and SAMPLE_CNT.

DEV10G counts tagged frame with CRC also as tagged frame

The tagged frames with CRC error are sent and counted as both CRC error frames and tagged frames in the rx_tagged_frames counter. The correct behavior is only to count as CRC error frames.

This minor issue does not impact device performance. The tagged and untagged counters are not used by software.

MAC1G counter is incorrect for triple tagged frames

The frame length for triple tagged frames are counted incorrectly in MAC1G counters, RX_IN_RANGE_LEN_ERR_CNT and RX_OUT_OF_RANGE_LEN_ERR_CNT.

Frame discards based on the length error counters should be disabled in DEV1G::MAC_ADV_CHK_CFG:LEN_DROP_ENA = 0.

This minor issue does not impact device performance. The IN_RANGE and OUT_OF_RANGE counters are depreciated by RFC 1369 and are not used by software.

VCAP ES0 actions and SDLB policers indexed from 2048 through 4095 are unavailable

An issue with a RAM address mapping causes certain entries in the VCAP_ES0 action RAM and the SDLB configuration RAM to be unavailable.

The VCAP ES0 action RAM is unavailable for addresses 2048 through 4095 and must not be used. The address is programmed in VCAP_ES0:VCAP_CORE_MAP:VCAP_CORE_IDX.

The SDLB policer configuration RAM (ANA_AC_POL:SDLB) is unavailable for replications 2048 through 4095 and must not be used.

14 Ordering Information

The VSC7442YIH-02, VSC7444YIH-02, VSC7448YIH-02, and VSC7449YIH-02 packages are lead-free (Pb-free), 672-pin, flip chip ball grid array (FCBGA) with a 27 mm × 27 mm body size, 1 mm pin pitch, and 2.71 mm maximum height.

Lead-free products from Microsemi comply with the temperatures and profiles defined in the joint IPC and JEDEC standard IPC/JEDEC J-STD-020. For more information, see the IPC and JEDEC standard.

The following table lists the ordering information for the devices.

Table 402 • Ordering Information

Part Order Number	Description
VSC7442YIH-02	52 Gbps Industrial Ethernet switch Lead-free, 672-pin FCBGA with a 27 mm × 27 mm body size, 1 mm pin pitch, and 2.71 mm maximum height
VSC7444YIH-02	44 Gbps Industrial Ethernet switch Lead-free, 672-pin FCBGA with a 27 mm × 27 mm body size, 1 mm pin pitch, and 2.71 mm maximum height
VSC7448YIH-02	80 Gbps Industrial Ethernet switch Lead-free, 672-pin FCBGA with a 27 mm × 27 mm body size, 1 mm pin pitch, and 2.71 mm maximum height
VSC7449YIH-02	90 Gbps Industrial Ethernet switch Lead-free, 672-pin FCBGA with a 27 mm × 27 mm body size, 1 mm pin pitch, and 2.71 mm maximum height