



SOT23, Low-Power μ P Supervisory Circuits with Battery Backup

MAX6361-MAX6364

General Description

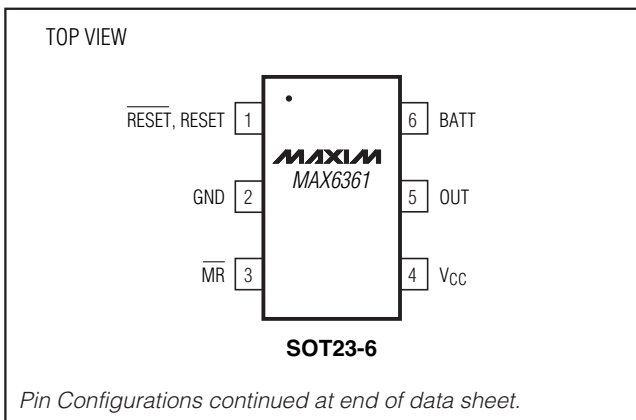
The MAX6361–MAX6364 supervisory circuits reduce the complexity and number of components required for power-supply monitoring and battery control functions in microprocessor (μ P) systems. The circuits significantly improve system reliability and accuracy compared to that obtainable with separate ICs or discrete components. Their functions include μ P reset, backup battery switchover, and power failure warning.

The MAX6361–MAX6364 operate from supply voltages as low as +1.2V. The factory-preset reset threshold voltage ranges from 2.32V to 4.63V (see *Ordering Information*). These devices provide a manual reset input (MAX6361), watchdog timer input (MAX6362), battery-on output (MAX6363), and an auxiliary adjustable reset input (MAX6364). In addition, each part type is offered in three reset output versions: an active-low open-drain reset, an active-low open-drain reset, and an active-high open-drain reset (see *Selector Guide* at end of data sheet).

Applications

Computers	Fax Machines
Controllers	Industrial Control
Intelligent Instruments	POS Equipment
Critical μ P/ μ C	Portable/Battery-Powered
Power Monitoring	Equipment

Pin Configurations



Selector Guide appears at end of data sheet.

Typical Operating Circuit appears at end of data sheet.

Features

- ◆ Low +1.2V Operating Supply Voltage (V_{CC} or V_{BATT})
- ◆ Precision Monitoring of +5.0V, +3.3V, +3.0V, and +2.5V Power-Supply Voltages
- ◆ Debounced Manual Reset Input (MAX6361)
- ◆ Watchdog Timer with 1.6s Timeout Period (MAX6362)
- ◆ Battery-On Output Indicator (MAX6363)
- ◆ Auxiliary User-Adjustable RESET IN (MAX6364)
- ◆ Three Available Output Structures
Push-Pull RESET, Open-Drain RESET, Open-Drain RESET
- ◆ RESET/RESET Valid Down to 1.2V Guaranteed (V_{CC} or V_{BATT})
- ◆ Power-Supply Transient Immunity
- ◆ 150ms (min) Reset Timeout Period
- ◆ Small 6-Pin SOT23 Package

Ordering Information

PART	TEMP RANGE	PIN-PACKAGE
MAX6361LUT__T	-40°C to +85°C	6 SOT23
MAX6361PUT__T	-40°C to +85°C	6 SOT23
MAX6361HUT__T	-40°C to +85°C	6 SOT23
MAX6362LUT__T	-40°C to +85°C	6 SOT23
MAX6362PUT__T	-40°C to +85°C	6 SOT23
MAX6362HUT__T	-40°C to +85°C	6 SOT23
MAX6363LUT__T	-40°C to +85°C	6 SOT23
MAX6363PUT__T	-40°C to +85°C	6 SOT23
MAX6363HUT__T	-40°C to +85°C	6 SOT23
MAX6364LUT__T	-40°C to +85°C	6 SOT23
MAX6364PUT__T	-40°C to +85°C	6 SOT23
MAX6364HUT__T	-40°C to +85°C	6 SOT23

Note: These parts offer a choice of reset threshold voltages. From the table below, select the suffix corresponding to the desired threshold voltage and insert it into the part number to complete it. When ordering from the factory, there is a 2500-piece minimum on the SOT package (tape-and-reel only). Devices are available in both leaded and lead-free packaging. Specify lead-free by replacing "-T" with "+T" when ordering.

SUFFIX	RESET THRESHOLD RANGES (V)		
	MIN	TYP	MAX
46	4.50	4.63	4.75
44	4.25	4.38	4.50
31	3.00	3.08	3.15
29	2.85	2.93	3.00
26	2.55	2.63	2.70
23	2.25	2.32	2.38



SOT23, Low-Power μ P Supervisory Circuits with Battery Backup

ABSOLUTE MAXIMUM RATINGS

Terminal Voltages (with respect to GND)

V_{CC} , BATT, OUT.....-0.3V to +6V

RESET (open drain), RESET (open drain).....-0.3V to +6V

BATT ON, RESET (push-pull), RESET IN,
WDI.....-0.3V to ($V_{OUT} + 0.3V$)

MR.....-0.3V to ($V_{CC} + 0.3V$)

Input Current

V_{CC} Peak1A

V_{CC} Continuous250mA

BATT Peak250mA

BATT Continuous40mA

GND75mA

Output Current

OUT.....Short-Circuit Protection for up to 10s

RESET, RESET, BATT ON20mA

Continuous Power Dissipation ($T_A = +70^\circ\text{C}$)

6-Pin SOT23 (derate 8.70mW/ $^\circ\text{C}$ above $+70^\circ\text{C}$)696mW

Operating Temperature Range -40°C to $+85^\circ\text{C}$

Junction Temperature $+150^\circ\text{C}$

Storage Temperature Range -65°C to $+150^\circ\text{C}$

Lead Temperature (soldering, 10s) $+300^\circ\text{C}$

Soldering Temperature (reflow)

Lead(Pb)-free..... $+260^\circ\text{C}$

Packages containing lead(Pb)..... $+240^\circ\text{C}$

Stresses beyond those listed under "Absolute Maximum Ratings" may cause permanent damage to the device. These are stress ratings only, and functional operation of the device at these or any other conditions beyond those indicated in the operational sections of the specifications is not implied. Exposure to absolute maximum rating conditions for extended periods may affect device reliability.

ELECTRICAL CHARACTERISTICS

($V_{CC} = +2.4V$ to $+5.5V$, $V_{BATT} = 3V$, $T_A = -40^\circ\text{C}$ to $+85^\circ\text{C}$, reset not asserted. Typical values are at $T_A = +25^\circ\text{C}$, unless otherwise noted.) (Note 1)

PARAMETER	SYMBOL	CONDITIONS		MIN	TYP	MAX	UNITS
Operating Voltage Range, V_{CC} or V_{BATT}	V_{CC} , V_{BATT}	No load (Note 2)		0		5.5	V
Supply Current (Excluding I_{OUT})	I_{CC}	No load, $V_{CC} > V_{TH}$, WDI = V_{CC} or GND (MAX6362)	$V_{CC} = 2.8V$		10	30	μA
			$V_{CC} = 3.6V$		11	35	
			$V_{CC} = 5.5V$		15	50	
I_{SUPPLY} in Battery-Backup Mode (Excluding I_{OUT})	I_{SUPPLY}	$V_{BATT} = 2.8V$, $V_{CC} = 0V$	$T_A = +25^\circ\text{C}$			1	μA
			$T_A = -40^\circ\text{C}$ to $+85^\circ\text{C}$			3	
BATT Standby Current	I_{BATT}	$5.5V > V_{CC} >$ $(V_{BATT} + 0.2V)$	$T_A = +25^\circ\text{C}$	-0.1		0.02	μA
			$T_A = -40^\circ\text{C}$ to $+85^\circ\text{C}$	-1.0		0.05	
V_{CC} to OUT On-Resistance	R_{ON}	$V_{CC} = 4.75V$, $I_{OUT} \leq 150\text{mA}$				2.75	Ω
		$V_{CC} = 3.15V$, $I_{OUT} \leq 65\text{mA}$				3.0	
		$V_{CC} = 2.38V$, $I_{OUT} \leq 25\text{mA}$				4.6	
V_{OUT} in Battery-Backup Mode		$V_{BATT} = 4.5V$, $I_{OUT} \leq 20\text{mA}$		$V_{BATT} - 0.2$			V
		$V_{BATT} = 3.0V$, $I_{OUT} \leq 10\text{mA}$		$V_{BATT} - 0.15$			
		$V_{BATT} = 2.25V$, $I_{OUT} \leq 5\text{mA}$		$V_{BATT} - 0.15$			
Battery-Switchover Threshold ($V_{CC} - V_{BATT}$)		$V_{CC} < V_{TH}$	Power-up		20		mV
			Power-down		-20		
Reset Threshold	V_{TH}	MAX636_UT46		4.50	4.63	4.75	V
		MAX636_UT44		4.25	4.38	4.50	
		MAX636_UT31		3.00	3.08	3.15	
		MAX636_UT29		2.85	2.93	3.00	
		MAX636_UT26		2.55	2.63	2.70	
		MAX636_UT23		2.25	2.32	2.38	
V_{CC} Falling Reset Delay		V_{CC} falling at 10V/ms			35		μs
Reset-Active Timeout Period	t_{RP}			150		280	ms

SOT23, Low-Power μ P Supervisory Circuits with Battery Backup

MAX6361-MAX6364

ELECTRICAL CHARACTERISTICS (continued)

($V_{CC} = +2.4V$ to $+5.5V$, $V_{BATT} = 3V$, $T_A = -40^{\circ}C$ to $+85^{\circ}C$, reset not asserted. Typical values are at $T_A = +25^{\circ}C$, unless otherwise noted.) (Note 1)

PARAMETER	SYMBOL	CONDITIONS		MIN	TYP	MAX	UNITS
RESET Output Voltage	VOL	Reset asserted, $V_{BATT} = 0V$	$I_{SINK} = 1.6mA$, $V_{CC} \geq 2.1V$			0.3	V
			$I_{SINK} = 100\mu A$, $V_{CC} \geq 1.2V$			0.4	
	VOH	Reset not asserted (MAX636_L only)	$I_{SOURCE} = 500\mu A$, $V_{CC} \geq V_{TH(MAX)}$	$0.8 \times V_{CC}$			
RESET Output Voltage	VOL	Reset not asserted	$I_{SINK} = 1.6mA$, $V_{CC} \geq V_{TH(MAX)}$			0.3	V
RESET, RESET Output Leakage Current	ILK	MAX636_P, MAX636_H only				1	μA
MANUAL RESET (MAX6361 only)							
MR Input Voltage	VIL					$0.3 \times V_{CC}$	V
	VIH			$0.7 \times V_{CC}$			
Pull-Up Resistance				20			k Ω
Minimum Pulse Width				1			μs
Glitch Immunity		$V_{CC} = 3.3V$			100		ns
MR to Reset Delay		$V_{CC} = 3.3V$			120		ns
WATCHDOG INPUT (MAX6362 only)							
Watchdog Timeout Period	tWD			1.00	1.60	2.25	s
Minimum WDI Input Pulse Width	tWDI			100			ns
Input Voltage	VIL					$0.3 \times V_{CC}$	V
	VIH			$0.7 \times V_{CC}$			
BATT ON (MAX6363 only)							
Output Voltage	VOL	$I_{SINK} = 3.2mA$, $V_{BATT} = 2.1V$				0.4	V
Output Short-Circuit Current		Sink current, $V_{CC} = 5V$			60		mA
		Source current, $V_{BATT} \geq 2V$		10	30	100	μA
RESET IN (MAX6364 only)							
Input Threshold				1.185	1.235	1.285	V
RESET IN Leakage Current					± 0.01	± 25	nA
RESET IN to Reset Delay		Overdrive voltage = 50mV, RESET IN falling			1.5		μs

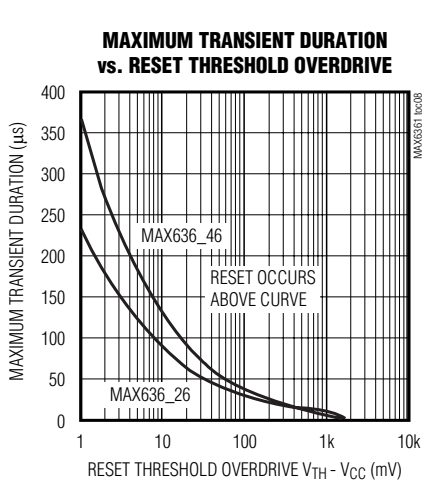
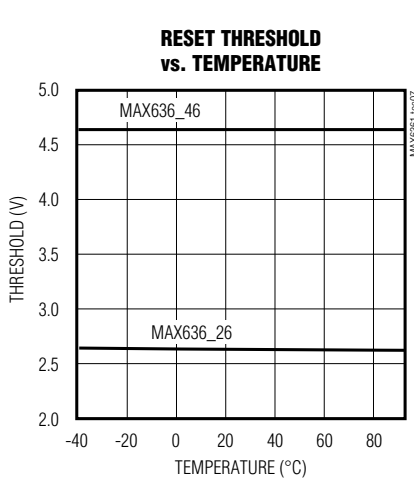
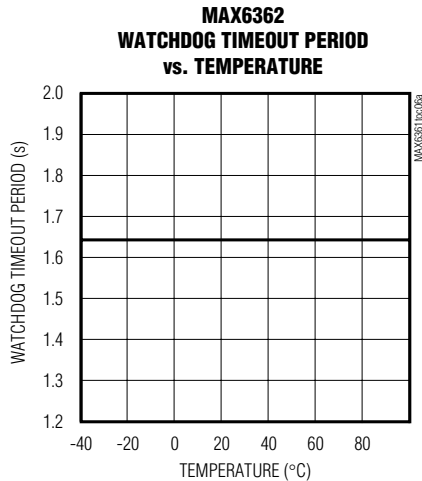
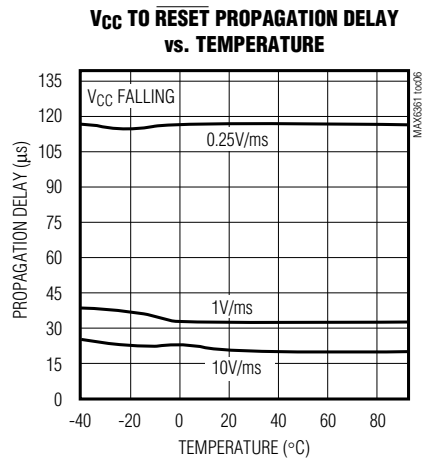
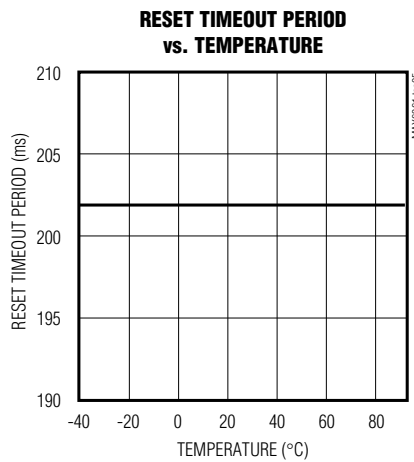
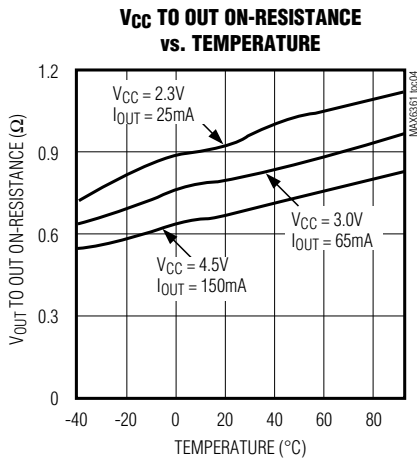
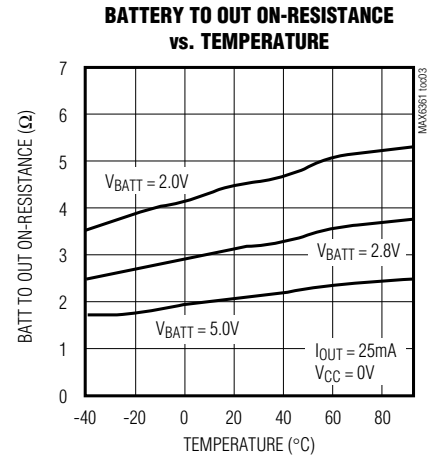
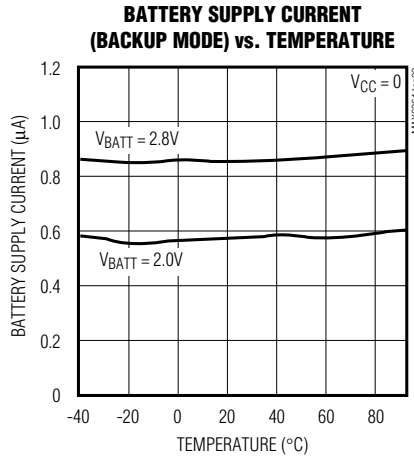
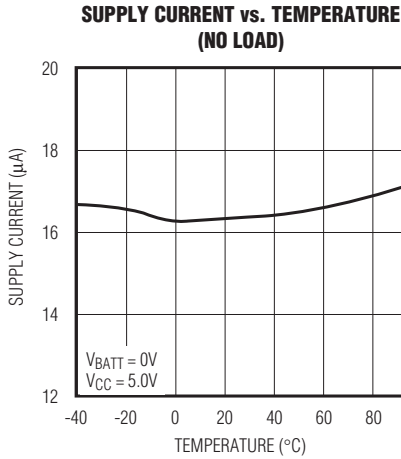
Note 1: All devices are 100% production tested at $T_A = +25^{\circ}C$. Limits over temperature are guaranteed by design.

Note 2: V_{BATT} can be 0V anytime or V_{CC} can go down to 0V if V_{BATT} is active (except at startup).

SOT23, Low-Power μ P Supervisory Circuits with Battery Backup

Typical Operating Characteristics

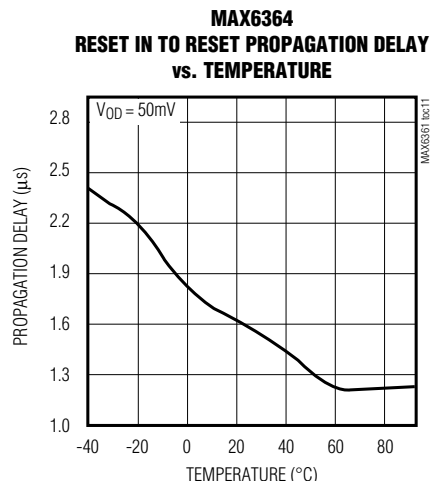
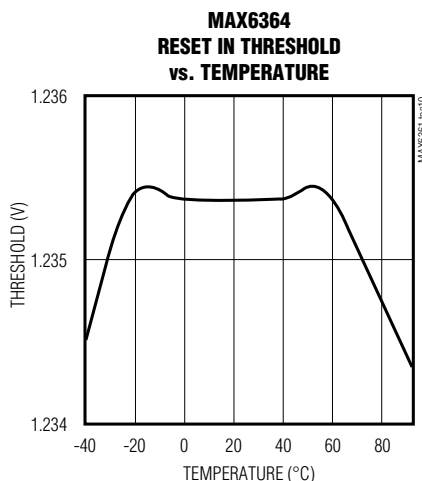
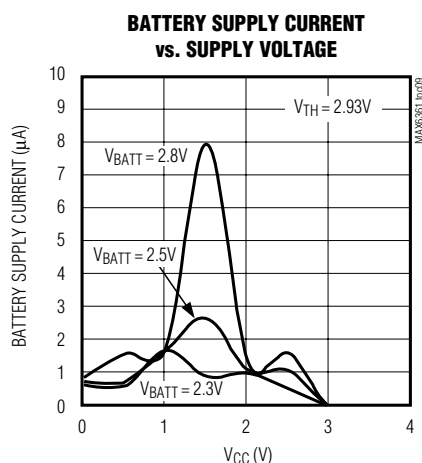
($T_A = +25^\circ\text{C}$, unless otherwise noted.)



SOT23, Low-Power μ P Supervisory Circuits with Battery Backup

Typical Operating Characteristics (continued)

($T_A = +25^\circ\text{C}$, unless otherwise noted.)



Pin Description

PIN	NAME	FUNCTION
1	RESET	Active-High Reset Output. RESET is continuously high when V_{CC} is below the reset threshold (V_{TH}), \overline{MR} is low, or RESET IN is low. It asserts in pulses when the internal watchdog times out. RESET remains high for the reset timeout period (t_{RP}) after V_{CC} rises above the reset threshold, after the manual reset input goes from low to high, after RESET IN goes high, or after the watchdog triggers a reset event. The MAX636_H is an active-high open-drain output.
	$\overline{\text{RESET}}$	Active-Low Reset Output. $\overline{\text{RESET}}$ is continuously low when V_{CC} is below the reset threshold (V_{TH}), \overline{MR} is low, or RESET IN is low. It asserts in pulses when the internal watchdog times out. $\overline{\text{RESET}}$ remains low for the reset timeout period (t_{RP}) after V_{CC} rises above the reset threshold, after the manual reset input goes from low to high, after RESET IN goes high, or after the watchdog triggers a reset event. The MAX636_L is an active-low push-pull output while the MAX636_P is an active-low open-drain output.
2	GND	Ground
3	\overline{MR}	MAX6361 Manual-Reset Input. Maintaining logic low on \overline{MR} asserts a reset. Reset output remains asserted for at least 150ms (t_{RP}) after \overline{MR} transitions from low to high. Leave unconnected or connected to V_{CC} if not used.
	WDI	MAX6362 Watchdog Input. If WDI remains high or low for longer than the watchdog timeout period (t_{WD}), the internal watchdog timer runs out and a reset pulse is triggered for the reset timeout period (t_{RP}) (Figure 1). The internal watchdog clears whenever reset asserts or whenever WDI sees a rising or falling edge.
	BATT ON	MAX6363 Battery-On Output. BATT ON goes high in battery backup mode.
	RESET IN	MAX6364 Reset Input. When RESET IN falls below 1.235V, reset is asserted. Reset output remains asserted as long as RESET IN is low and for at least 150ms (t_{RP}) after RESET IN goes high.
4	V_{CC}	Supply Voltage, 0 to 5.5V. Reset is asserted when V_{CC} drops below the reset threshold voltage (V_{TH}). Reset remains asserted until V_{CC} rises above V_{TH} and for at least 150ms after V_{CC} rises above V_{TH} .
5	OUT	Output. OUT sources from V_{CC} when it is above the reset threshold (V_{TH}), and from the greater of V_{CC} or BATT when V_{CC} is below V_{TH} .
6	BATT	Backup-Battery Input. When V_{CC} falls below the reset threshold, BATT switches to OUT if V_{BATT} is 20mV greater than V_{CC} . When V_{CC} rises 20mV above V_{BATT} , V_{CC} switches to OUT. The 40mV hysteresis prevents repeated switching if V_{CC} falls slowly.

SOT23, Low-Power μP Supervisory Circuits with Battery Backup

Detailed Description

The *Typical Operating Circuit* shows a typical connection for the MAX6361–MAX6364 family. OUT powers the static random-access memory (SRAM). OUT is internally connected to VCC if VCC is greater than the reset threshold, or to the greater of VCC or VBATT when VCC is less than the reset threshold. OUT can supply up to 150mA from VCC. When VCC is higher than VBATT, the BATT ON (MAX6363) output is low. When VCC is lower than VBATT, an internal MOSFET connects the backup battery to OUT. The on-resistance of the MOSFET is a function of backup-battery voltage and is shown in the Battery to Out On-Resistance vs. Temperature graph in the *Typical Operating Characteristics* section.

Backup-Battery Switchover

In a brownout or power failure, it may be necessary to preserve the contents of the RAM. With a backup battery installed at BATT, the MAX6361–MAX6364 automatically switch the RAM to backup power when VCC falls. The MAX6363 has a BATT ON output that goes high when in battery-backup mode. These devices require two conditions before switching to battery-backup mode:

- 1) VCC must be below the reset threshold.
- 2) VCC must be below VBATT.

Table 1 lists the status of the inputs and outputs in battery-backup mode. The device will not power up if the only voltage source is on BATT. OUT will only power up from VCC at startup.

Manual Reset Input (MAX6361 Only)

Many μP -based products require manual reset capability, allowing the operator, a test technician, or external logic circuitry to initiate a reset. For the MAX6361, a logic low on $\overline{\text{MR}}$ asserts reset. Reset remains asserted while $\overline{\text{MR}}$ is low, and for a minimum of 150ms (t_{RP}) after it returns high. $\overline{\text{MR}}$ has an internal 20k Ω pull-up resistor to VCC. This input can be driven with TTL/CMOS logic levels or with open-drain/collector outputs. Connect a normally open momentary switch from $\overline{\text{MR}}$ to GND to create a manual reset function; external debounce circuitry is not required. If $\overline{\text{MR}}$ is driven from long cables or the device is used in a noisy environment, connect a 0.1 μF capacitor from $\overline{\text{MR}}$ to GND to provide additional noise immunity.

Watchdog Input (MAX6362 Only)

The watchdog monitors μP activity through the input WDI. If the μP becomes inactive, the reset output is asserted in pulses. To use the watchdog function, connect WDI to a bus line or μP I/O line. A change of state

(high to low or low to high) within the watchdog timeout period (t_{WD}) with a 100ns minimum pulse width clears the watchdog timer. If WDI remains high or low for longer than the watchdog timeout period, the internal watchdog timer runs out and a reset pulse is triggered for the reset timeout period (t_{RP}). The internal watchdog timer clears whenever reset asserts or the WDI sees a rising or falling edge within the watchdog timeout period. If WDI remains in a high or low state for an extended period of time, a reset pulse asserts after every watchdog timeout period (t_{WD}) (Figure 1).

Reset In (MAX6364 Only)

RESET IN is compared to an internal 1.235V reference. If the voltage at RESET IN is less than 1.235V, reset is asserted. The RESET IN comparator may be used as an undervoltage detector to signal a failing power supply. It can also be used as a secondary power-supply reset monitor.

To program the reset threshold (V_{RTH}) of the secondary power supply, use the following equation (see *Typical Operating Circuit*):

$$V_{\text{RTH}} = V_{\text{REF}} \left(\frac{R_1}{R_2} + 1 \right)$$

where $V_{\text{REF}} = 1.235\text{V}$. To simplify the resistor selection,

$$R_1 = R_2 \left[\left(V_{\text{RTH}} / V_{\text{REF}} \right) - 1 \right]$$

choose a value for R2 and calculate R1:

Since the input current at RESET IN is 25nA (max), large values (up to 1M Ω) can be used for R2 with no significant loss in accuracy. For example, in the *Typical*

Table 1. Input and Output Status in Battery-Backup Mode

PIN	STATUS
VCC	Disconnected from OUT
OUT	Connected to BATT
BATT	Connected to OUT. Current drawn from the battery is less than 1 μA (at VBATT = 2.8V, excluding I _{OUT}) when VCC = 0.
RESET/ $\overline{\text{RESET}}$	Asserted
BATT ON	High state
$\overline{\text{MR}}$, RESET IN, WDI	Inputs ignored

SOT23, Low-Power μ P Supervisory Circuits with Battery Backup

Operating Circuit, the MAX6362 monitors two supply voltages. To monitor the secondary 5V logic or analog supply with a 4.60V nominal programmed reset threshold, choose $R2 = 100k\Omega$, and calculate $R1 = 273k\Omega$.

Reset Output

A μ P's reset input starts the μ P in a known state. The MAX6361-MAX6364 μ P supervisory circuits assert a reset to prevent code-execution errors during power-up, power-down, and brownout conditions. RESET is guaranteed to be a logic low or high depending on the device chosen (see *Ordering Information*). RESET or $\overline{\text{RESET}}$ asserts when V_{CC} is below the reset threshold and for at least 150ms (t_{RP}) after V_{CC} rises above the reset threshold. RESET or $\overline{\text{RESET}}$ also asserts when $\overline{\text{MR}}$ is low (MAX6361) and when RESET IN is less than 1.235V (MAX6364). The MAX6362 watchdog function will cause RESET (or $\overline{\text{RESET}}$) to assert in pulses following a watchdog timeout (Figure 1).

Applications Information

Operation Without a Backup Power Source

The MAX6361-MAX6364 were designed for battery-backed applications. If a backup battery is not used, connect V_{CC} to OUT and connect BATT to GND.

Replacing the Backup Battery

If BATT is decoupled with a 0.1 μ F capacitor to ground, the backup power source can be removed while V_{CC} remains valid without danger of triggering a reset pulse. The device does not enter battery-backup mode when V_{CC} stays above the reset threshold voltage.

Negative-Going VCC Transients

These supervisors are relatively immune to short-duration, negative-going V_{CC} transients. Resetting the μ P when V_{CC} experiences only small glitches is usually not desirable.

The *Typical Operating Characteristics* section shows a graph of Maximum Transient Duration vs. Reset Threshold Overdrive for which reset is not asserted. The graph was produced using negative-going V_{CC} pulses, starting at V_{CC} and ending below the reset threshold by the magnitude indicated (reset threshold overdrive). The graph shows the maximum pulse width that a negative-going V_{CC} transient can typically have without triggering a reset pulse. As the amplitude of the transient increases (i.e., goes further below the reset threshold), the maximum allowable pulse width decreases. Typically, a V_{CC} transient that goes 100mV below the reset threshold and lasts for 30 μ s will not trigger a reset pulse.

A 0.1 μ F bypass capacitor mounted close to the V_{CC} pin provides additional transient immunity.

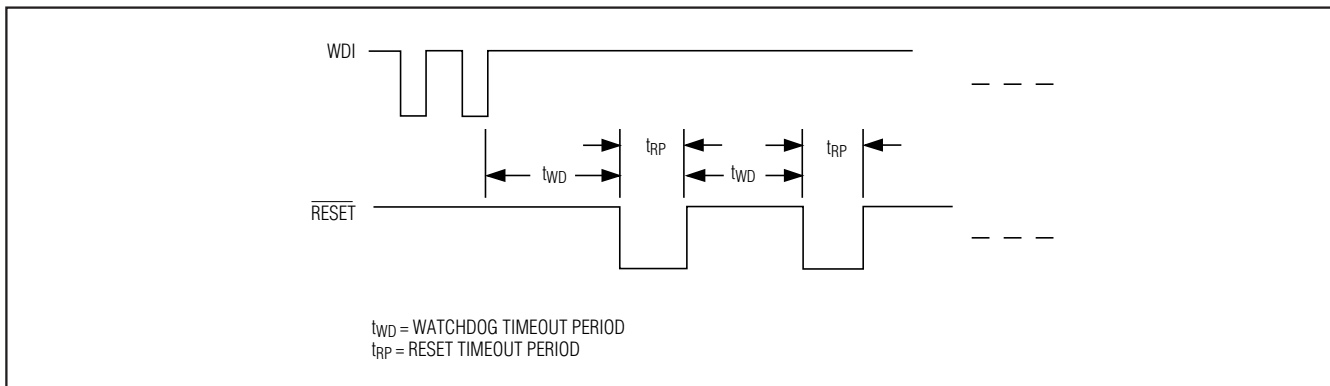


Figure 1. MAX6362 Watchdog Timeout Period and Reset Active Time

SOT23, Low-Power μ P Supervisory Circuits with Battery Backup

Watchdog Software Considerations (MAX6362 Only)

To help the watchdog timer monitor software execution more closely, set and reset the watchdog input at different points in the program, rather than “pulsing” the watchdog input low-high-low. This technique avoids a “stuck” loop, in which the watchdog timer would continue to be reset within the loop, keeping the watchdog from timing out. Figure 2 shows an example of a flow diagram where the I/O driving the WDI is set low at the beginning of the program, set high at the beginning of every subroutine or loop, then set low again when the program returns to the beginning. If the program should “hang” in any subroutine, the problem would quickly be corrected, since the I/O is continually set low and the watchdog timer is allowed to time out, triggering a reset.

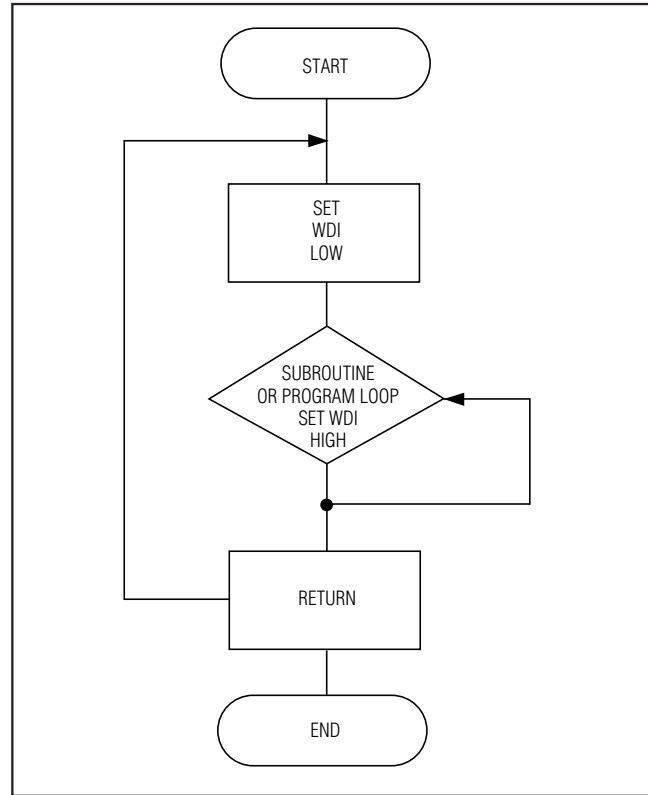


Figure 2. Watchdog Flow Diagram

SOT23, Low-Power μ P Supervisory Circuits with Battery Backup

Selector Guide

PART	MANUAL RESET INPUT $\overline{\text{MR}}$	WATCHDOG INPUT WDI	BATT ON	RESET IN	$\overline{\text{RESET}}$ PUSH- PULL	$\overline{\text{RESET}}$ OPEN DRAIN	RESET OPEN DRAIN
MAX6361 LUT_ _	✓				✓		
MAX6361PUT_ _	✓					✓	
MAX6361HUT_ _	✓						✓
MAX6362 LUT_ _		✓			✓		
MAX6362PUT_ _		✓				✓	
MAX6362HUT_ _		✓					✓
MAX6363 LUT_ _			✓		✓		
MAX6363PUT_ _			✓			✓	
MAX6363HUT_ _			✓				✓
MAX6364 LUT_ _				✓	✓		
MAX6364PUT_ _				✓		✓	
MAX6364HUT_ _				✓			✓

MAX6361-MAX6364

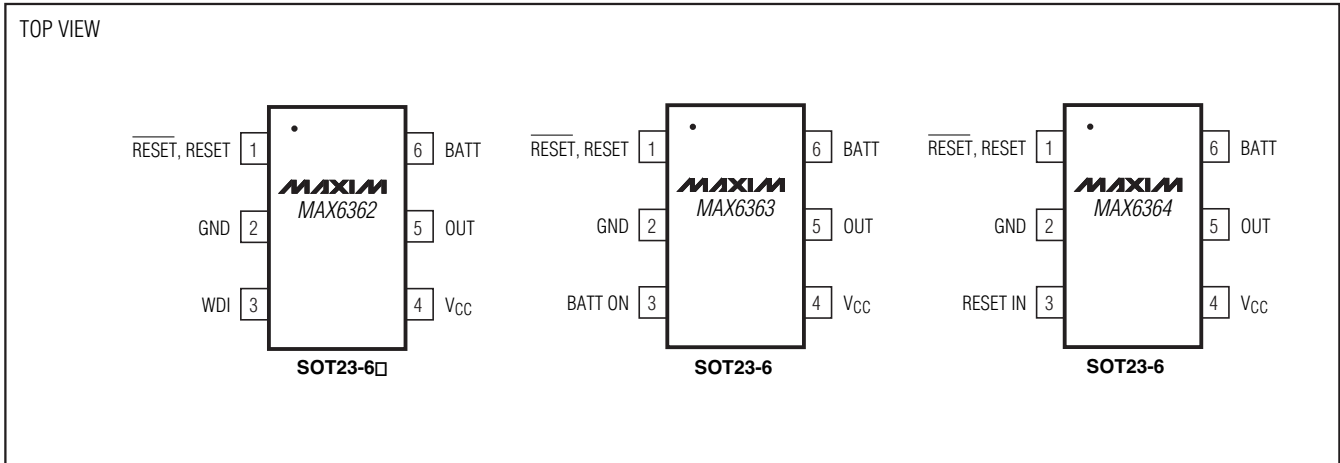
Device Marking Codes

PART	TOP MARK	PART	TOP MARK	PART	TOP MARK	PART	TOP MARK
MAX6361 LUT23	AAEI	MAX6362 LUT23	AAFA	MAX6363 LUT23	AAFS	MAX6364 LUT23	AAGK
MAX6361LUT26	AAEH	MAX6362LUT26	AAEZ	MAX6363LUT26	AAFR	MAX6364LUT26	AAGJ
MAX6361LUT29*	AAEG	MAX6362LUT29*	AAEY	MAX6363LUT29*	AAFQ	MAX6364LUT29*	AAGI
MAX6361LUT31	AAEF	MAX6362LUT31	AAEX	MAX6363LUT31	AAFP	MAX6364LUT31	AAGH
MAX6361LUT44	AAEE	MAX6362LUT44	AAEW	MAX6363LUT44	AAFO	MAX6364LUT44	AAGG
MAX6361LUT46*	AAED	MAX6362LUT46*	AAEV	MAX6363LUT46*	AAFN	MAX6364LUT46*	AAGF
MAX6361PUT23	AAEO	MAX6362PUT23	AAFG	MAX6363PUT23	AAFY	MAX6364PUT23	AAGQ
MAX6361PUT26	AAEN	MAX6362PUT26	AAFF	MAX6363PUT26	AAFX	MAX6364PUT26	AAGP
MAX6361PUT29*	AAEM	MAX6362PUT29*	AAFE	MAX6363PUT29*	AAFW	MAX6364PUT29*	AAGO
MAX6361PUT31	AAEL	MAX6362PUT31	AAFD	MAX6363PUT31	AAFV	MAX6364PUT31	AAGN
MAX6361PUT44	AAEK	MAX6362PUT44	AAFC	MAX6363PUT44	AAFU	MAX6364PUT44	AAGM
MAX6361PUT46*	AAEJ	MAX6362PUT46*	AAFB	MAX6363PUT46*	AAFT	MAX6364PUT46*	AAGL
MAX6361HUT23	AAEU	MAX6362HUT23	AAFM	MAX6363HUT23	AAGE	MAX6364HUT23	AAGW
MAX6361HUT26	AAET	MAX6362HUT26	AAFL	MAX6363HUT26	AAGD	MAX6364HUT26	AAGV
MAX6361HUT29	AAES	MAX6362HUT29	AAFK	MAX6363HUT29	AAGC	MAX6364HUT29	AAGU
MAX6361HUT31	AAER	MAX6362HUT31	AAFJ	MAX6363HUT31	AAGB	MAX6364HUT31	AAGT
MAX6361HUT44	AAEQ	MAX6362HUT44	AAFI	MAX6363HUT44	AAGA	MAX6364HUT44	AAGS
MAX6361HUT46*	AAEP	MAX6362HUT46*	AAFH	MAX6363HUT46*	AAFZ	MAX6364HUT46*	AAGR

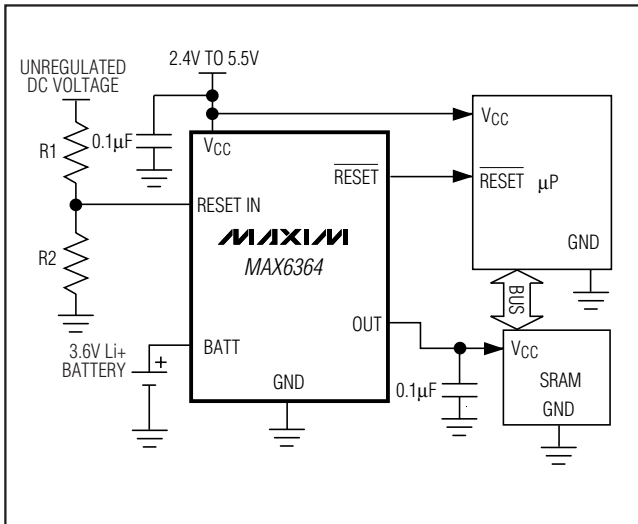
*Sample stock generally held on standard versions only. Contact factory for availability of nonstandard versions.

SOT23, Low-Power μ P Supervisory Circuits with Battery Backup

Pin Configurations (continued)



Typical Operating Circuit



Chip Information

PROCESS: BiCMOS

Package Information

For the latest package outline information and land patterns (footprints), go to www.maxim-ic.com/packages. Note that a "+", "#", or "-" in the package code indicates RoHS status only. Package drawings may show a different suffix character, but the drawing pertains to the package regardless of RoHS status.

PACKAGE TYPE	PACKAGE CODE	OUTLINE NO.	LAND PATTERN NO.
6 SOT23	U6-1	21-0058	90-0175

SOT23, Low-Power μ P Supervisory Circuits with Battery Backup

Revision History

REVISION NUMBER	REVISION DATE	DESCRIPTION	PAGES CHANGED
0	1/00	Initial release	—
3	11/05	Added lead-free information.	1
4	10/11	Updated <i>Electrical Characteristics</i> .	2

MAX6361-MAX6364

Maxim cannot assume responsibility for use of any circuitry other than circuitry entirely embodied in a Maxim product. No circuit patent licenses are implied. Maxim reserves the right to change the circuitry and specifications without notice at any time. The parametric values (min and max limits) shown in the Electrical Characteristics table are guaranteed. Other parametric values quoted in this data sheet are provided for guidance.

11 **Maxim Integrated Products, 120 San Gabriel Drive, Sunnyvale, CA 94086 408-737-7600**