

General Description

The MIC1832 is a multifunction circuit which monitors microprocessor activity, external reset and power supplies in microprocessor based systems. The circuit functions include a watchdog timer, power supply monitor, microprocessor reset, and manual pushbutton reset input.

The power supply line is monitored with a comparator and an internal voltage reference. /RST is forced low when an out-of-tolerance condition exists and remains asserted for at least 250ms after V_{CC} rises above the threshold voltage (2.55V or 2.88V). The /RST pin will remain logic low with V_{CC} as low as 1.4V.

The Watchdog input (/ST) monitors μP activity and will assert /RST if no μP activity has occurred within the watchdog timeout period. The watchdog timeout period is selectable with nominal period of 150, 600, 1200 milliseconds.

Features

- Power OK/Resettime delay, 250ms min.
- Watchdog timer, 150ms, 600ms, or 1.2s typical
- Precision supply voltage monitor, select between 5% or 10% of supply voltage
- Available in 8-pin surface mount (SO)
- Debounced External reset input
- Low supply current, <18μA typical

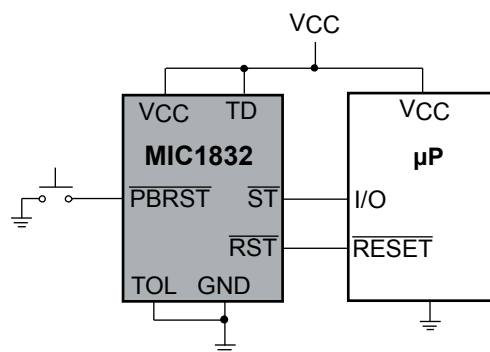
Applications

- Automotive systems
- Intelligent systems
- Critical microprocessor power monitoring
- Battery powered computers
- Controllers

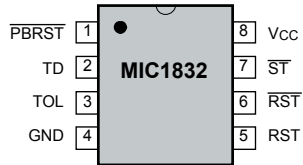
Ordering Information

Part Number		Temperature Range	Package
Standard	Pb-Free		
MIC1832N	MIC1832NY	-40°C to +85°C	8-Pin PDIP
MIC1832M	MIC1832MY	-40°C to +85°C	8-Pin SOIC

Typical Application



Pin Configuration



8-Pin PDIP Package

8-Pin SOIC Package

Pin Description

Pin Number	Pin Name	Pin Function
1	/PBRST	Pushbutton Reset Input: This input is debounced and can be driven with external logic signals or by means of a mechanical pushbutton to actively force a reset. All pulses less than 1ms in duration on the /PBRST pin are ignored, whereas, any pulse with a duration of 20ms or greater is guaranteed to cause a reset.
2	TD	Time Delay input: This input selects the timebase used by the watchdog timer. When TD = 0V, the watchdog timeout period is set to a normal value of 150ms, when TD = open, the watchdog timeout period is set to a nominal value of 600ms and when TD = V _{CC} , the watchdog period is 1.2s nominally.
3	TOL	Tolerance Select Input: Selects whether 5% or 10% of V _{CC} is used as the reset threshold voltage. When TOL = 0V, the 5% tolerance level is selected and when TOL = V _{CC} , a 10% tolerance level is selected.
4	GND	IC ground pin, 0V reference
5	RST	RST is asserted high if either V _{CC} goes below the reset threshold, the watchdog times out or /PBRST is pulled low for a minimum of 20ms. RST remains asserted for one reset timeout period after V _{CC} exceeds the reset threshold or after the watch times out or after /PBRST goes high.
6	/RST	/RST is asserted low if either V _{CC} goes below the reset threshold, the watchdog times out or /PBRST is pulled low for a minimum of 20ms. /RST remains asserted for one reset timeout period after V _{CC} exceeds the reset threshold or after the watch times out or after /PBRST goes high. Open-drain output
7	/ST	Input to watchdog timer. If /ST does not see a transition from high to low within the watchdog timeout period, RST and /RST will be asserted.
8	V _{CC}	Primary supply input, +5V

Absolute Maximum Ratings (Note 1)

Terminal Voltage	
V_{CC}	-0.3V to 7V
All other inputs	-0.3V to ($V_{CC} + 0.3V$)
Input Current	
V_{CC}	250mA
GND, all other inputs	25mA
Lead Temperature (soldering, 10 sec.)	300°C
Storage Temperature	-65°C to 150°C

Operating Ratings (Note 2)

Operating Temperature Range	
MIC1832M/N	-40°C to 85°C
MIC1832D	-40°C to 85°C
Power Dissipation	700mW

Electrical Characteristics

$V_{IN} = xx$; $R_L = xx$; $T_A =$ Operating Temperature Range, **bold** values indicate $-40^\circ\text{C} \leq T_A \leq +85^\circ\text{C}$; unless noted

Parameter	Condition	Min	Typ	Max	Units
Supply Voltage Range	V_{CC}			5.5	V
Supply Current	$I_{CC} @ V_{CC} = 5V$ (Note 4)		18	30	μA
	$I_{CC} @ V_{CC} = 3.3V$ (Note 4)		15	25	μA
/ST and /PBRST Input Levels	V_{IH} (Note 5)	2		$V_{CC}+0.3$	V
	V_{IH} (Note 6)	$V_{CC}-0.4$		$V_{CC}+0.3$	V
	V_{IL}	-0.3		0.5	V
Input Leakage, /ST (Note 7)	I_{IL}			± 1	μA
Output Voltage, /RST, RST	$I_{SOURCE} = 350\mu\text{A}$, $V_{CC} = 3.3V$	2.4			V
Output Voltage, /RST, RST	$I_{SINK} = 10\text{mA}$, $V_{CC} = 3.3V$			0.4	V
Output Voltage	$V_{CC} = 1.4V$, $I_{SINK} = 50\mu\text{A}$			0.3	V
V_{CC} 5% Trip Point (Reset Threshold Voltage)	TOL = Gnd	2.8	2.88	2.97	V
V_{CC} 10% Trip Point (Reset Threshold Voltage)	TOL = V_{CC}	2.47	2.55	2.64	V
Input Capacitance, /ST, TOL	C_{IN} (Note 8)			5	pF
Output Capacitance, /RST, RST	C_{OUT} (Note 8)			7	pF

AC Electrical Characteristics

$V_{CC} = 4.5V$ to $5.5V$; $T_A =$ Operating Temperature Range, **bold** values indicate $-40^\circ\text{C} \leq T_A \leq +85^\circ\text{C}$; unless noted

/PBRST Min. Pulse Width, t_{PB}	/PBRST = V_{IL} (Note 9)	20			ms
/PBRST Delay, t_{PBD}		1	4	20	ms
Reset Active Time, t_{RST}		250	610	1000	ms
/ST Pulse Width, t_{ST}		20			ms
/ST Timeout Period, t_{TD}	TD = 0V	62.5	150	250	ms
	TD = Open	250	600	1000	ms
	TD = V_{CC}	500	1200	2000	ms
V_{CC} Fall Time, t_F		40			μs
V_{CC} Rise Time, t_R		0			ns
V_{CC} Detect to /RST Low and RST High, t_{RPD}	V_{CC} Falling (Note 10)		5	8	μs
V_{CC} Detect to /RST Low and RST Low, t_{RPD}	V_{CC} Falling (Note 9)	250	610	1000	μs

-
- Note 1.** Exceeding the absolute maximum rating may damage the device.
- Note 2.** The device is not guaranteed to function outside its operating rating.
- Note 3.** Devices are ESD sensitive. Handling precautions recommended. Human body model, 1.5k in series with 100pF.
- Note 4.** I_{CC} is measured with /PBRST and all outputs open and inputs within 0.5V of supply rails
- Note 5.** Measured with $V_{CC} \geq 2.7V$
- Note 6.** Measured with $V_{CC} < 2.7V$
- Note 7.** /PBRST has an internal pull-up resistor to V_{CC} (typ. 40k Ω)
- Note 8.** Guaranteed by design at $T_A = 25^\circ C$
- Note 9.** /PBRST must be held low for a minimum of 20ms to guarantee a reset
- Note 10.** V_{CC} falling a 8.5mV/ μs

Timing Diagrams

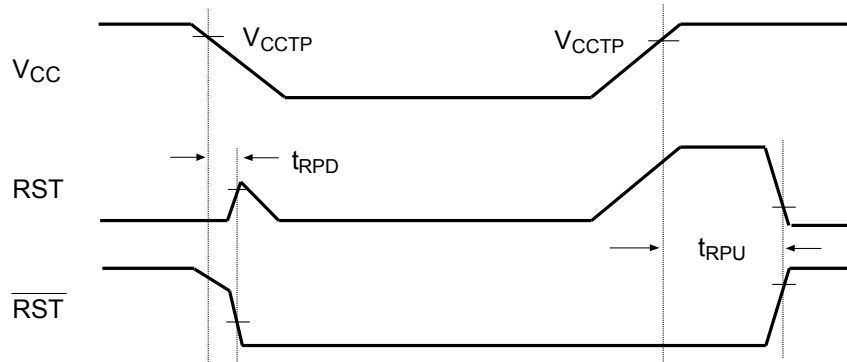


Figure 1. Power-Up/Power-Down Sequence

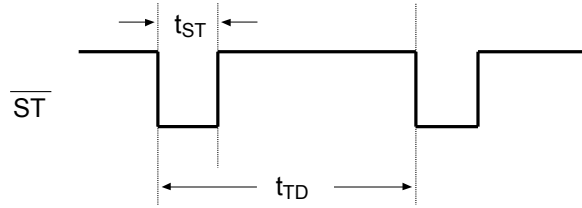


Figure 2. Watchdog Input

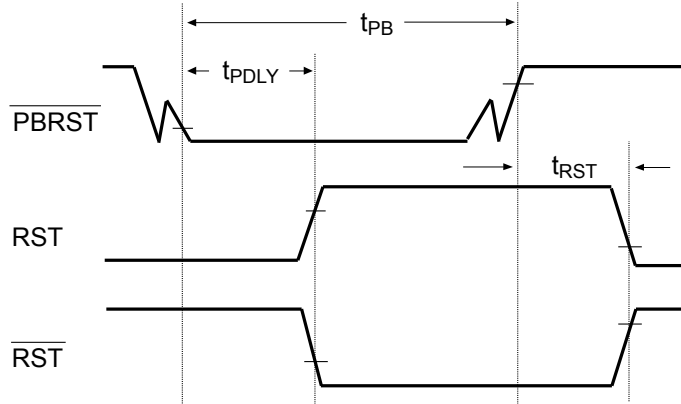


Figure 3. Pushbutton Reset

Applications Information

Power Monitor

The $\overline{\text{RST}}$ and RST pins are asserted whenever V_{CC} falls below the reset threshold voltage as determined by the TOL pin. A 5% tolerance level (4.62V reset threshold voltage) can be selected by connecting the TOL pin to ground and a 10% tolerance can be selected by connecting the TOL pin to V_{CC} . The reset pins will remain asserted for a period of 250ms after V_{CC} has risen above the reset threshold voltage. The reset function ensures the microprocessor is properly reset and powers up into a known condition after a power failure. $\overline{\text{RST}}$ will remain valid with V_{CC} as low as 1.4V.

Watchdog Timer

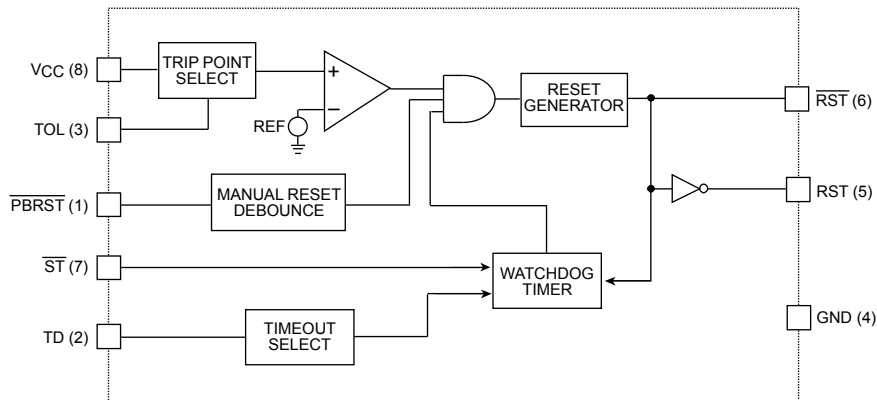
The microprocessor can be mounted by connecting the $\overline{\text{ST}}$ pin (watchdog input) to a bus line or I/O line. If a high-to-low does not occur on the $\overline{\text{ST}}$ pin within the watchdog timeout

period (determined by the TD pin, see Table 1.), the $\overline{\text{RST}}$ and the RST will remain asserted for 250ms when this occurs. A minimum pulse of 75ns or any transition high-to-low on the $\overline{\text{ST}}$ pin will reset the watchdog timer. The watchdog timer will be reset if $\overline{\text{ST}}$ sees a valid transition within the watchdog timeout period.

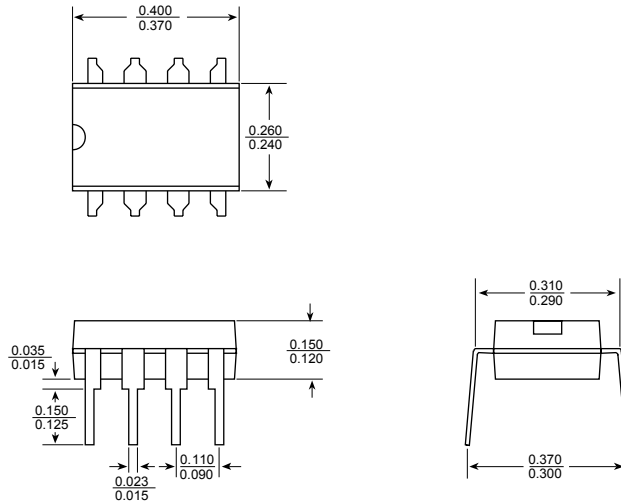
Pushbutton Reset Input

The $\overline{\text{PBRST}}$ input can be driven with a manual pushbutton switch or with external logic signals. The input is internally debounced and requires an active low signal to force the reset outputs into their active states. The $\overline{\text{PBRST}}$ input will recognize any pulse that is 20ms in duration or greater and will ignore all pulses that are less than 1ms in duration.

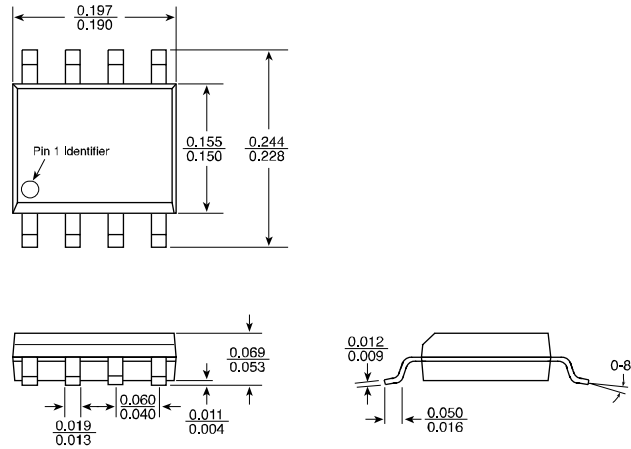
Block Diagram



Package Information



8-Pin PDIP (N)



8-Pin SOIC (M)

MICREL INC. 2180 FORTUNE DRIVE SAN JOSE, CA 95131 USA
 TEL + 1 (408) 944-0800 FAX + 1 (408) 474-1000 WEB <http://www.micrel.com>

This information furnished by Micrel in this data sheet is believed to be accurate and reliable. However no responsibility is assumed by Micrel for its use. Micrel reserves the right to change circuitry and specifications at any time without notification to the customer.

Micrel Products are not designed or authorized for use as components in life support appliances, devices or systems where malfunction of a product can reasonably be expected to result in personal injury. Life support devices or systems are devices or systems that (a) are intended for surgical implant into the body or (b) support or sustain life, and whose failure to perform can be reasonably expected to result in a significant injury to the user. A Purchaser's use or sale of Micrel Products for use in life support appliances, devices or systems is a Purchaser's own risk and Purchaser agrees to fully indemnify Micrel for any damages resulting from such use or sale.

© 2000 Micrel, Inc.