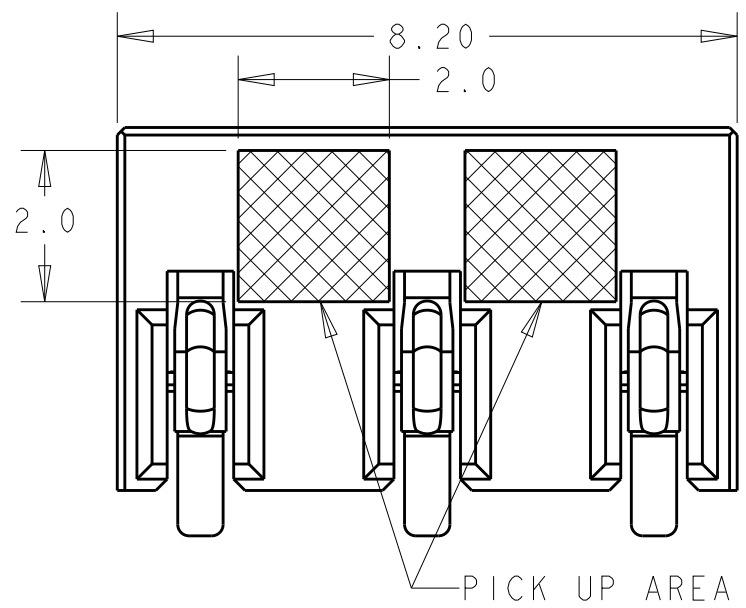


THIS DRAWING IS UNPUBLISHED. RELEASED FOR PUBLICATION 20  
 © COPYRIGHT 20 BY TYCO ELECTRONICS CORPORATION. ALL RIGHTS RESERVED.

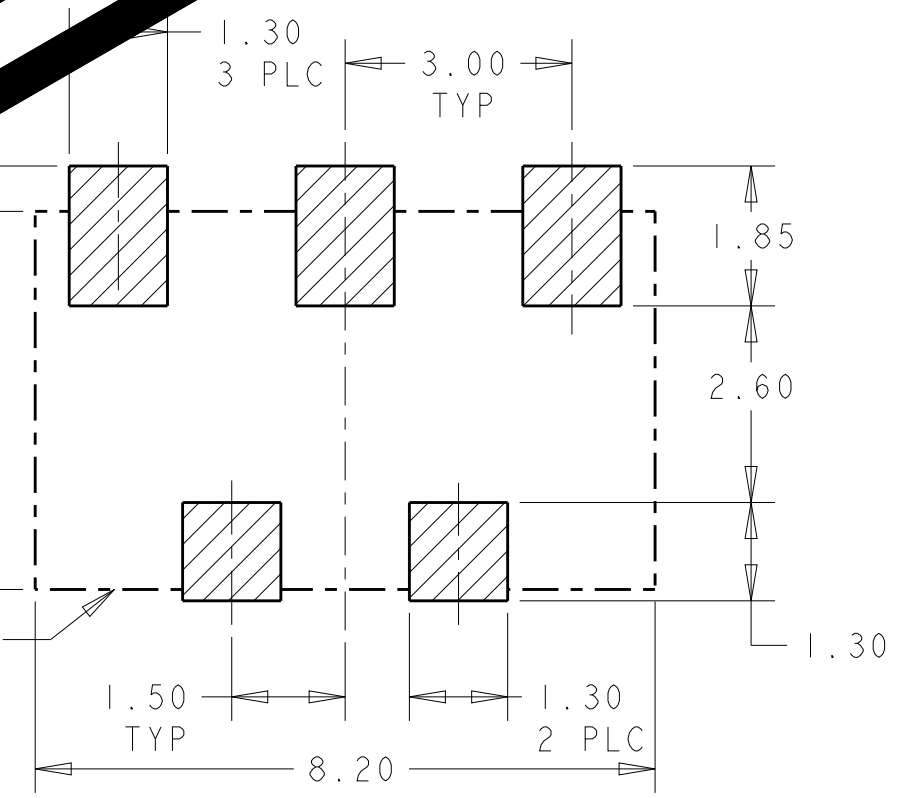
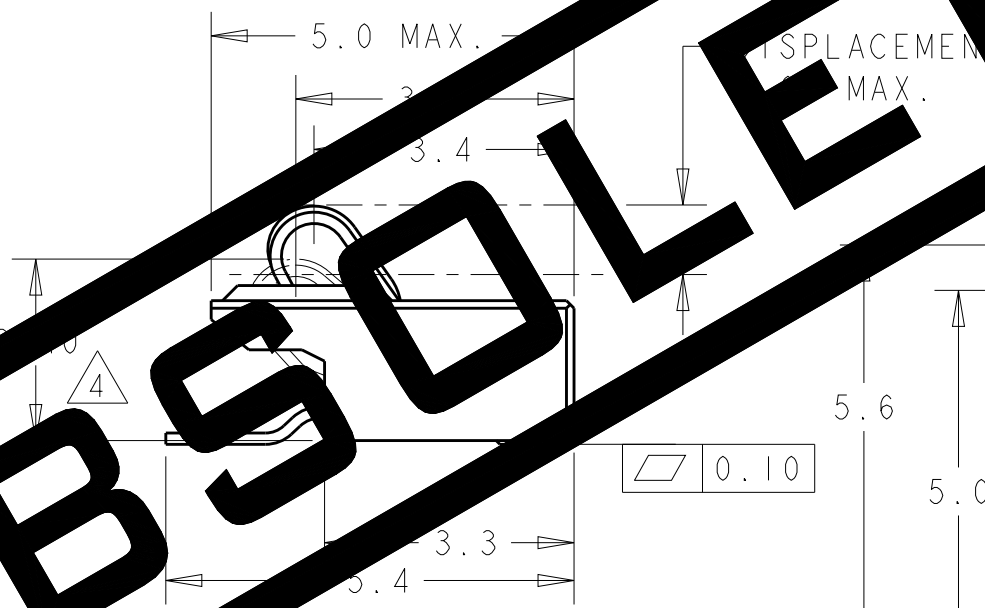
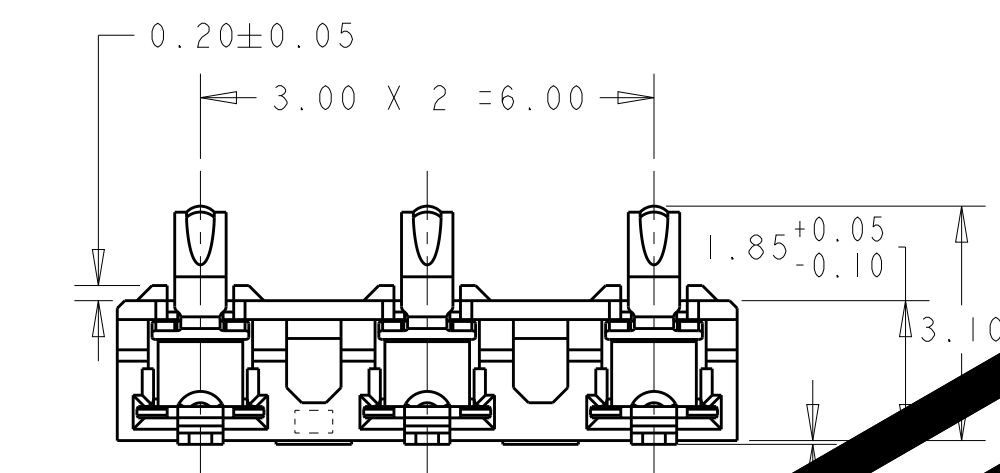
LOC	DIST	REVISIONS			
P	LTR	DESCRIPTION	DATE	DWN	APVD
ES	00	A2	OBSOLETE ECO-18-012430	04SEP18	K.G W.H



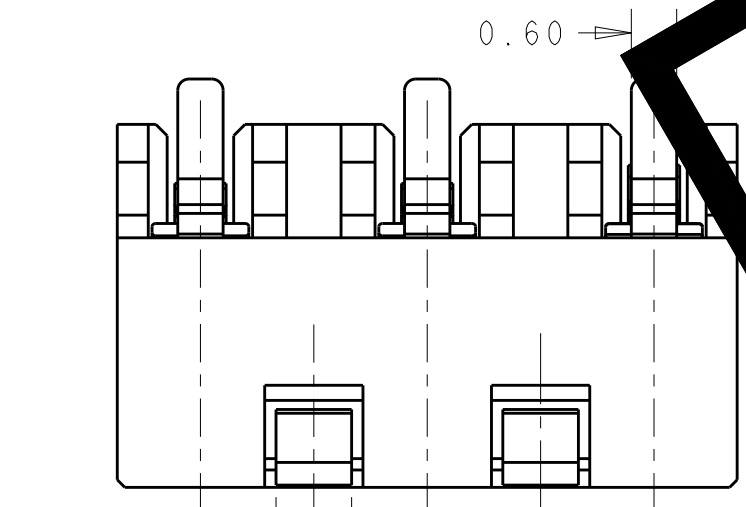
- 1 MATERIAL:  
CONTACT: COPPER ALLOY.  
HOUSING: THERMOPLASTIC BLACK LCP OR EQUIVALENT, UL 94V-0.
- 2 FINISH: 15 MICROINCH (0.38 MICRON) GOLD PLATING ON CONTACT AREA,  
GOLD FLASH PLATING ON SOLDER AREA,  
OVER 50 MICROINCH (1.27 MICRON) NICKEL PLATING OVERALL.
- 3 PRODUCT TO BE PACKAGED IN ANTI-STATIC TAPE AND LABEL.
- 4 NORMAL FORCE IS 80g MIN. WHEN A CONTACT PRESSURE TO THE POSITION.

1932076-1 AS SHOWN

OBSOLETE



RECOMMENED PCB LAYOUT (TOLERANCE ±0.05)



<small>THIS DRAWING IS A CONTROLLED DOCUMENT FOR TYCO ELECTRONICS CORPORATION. IT IS SUBJECT TO CHANGE AND THE CONTROLLING ENGINEERING ORGANIZATION SHOULD BE CONTACTED FOR THE LATEST REVISION.</small>		DWN 06-NOV-07 Lesson, Li CHK 06-NOV-07 Wenke, He APVD 06-NOV-07 Steven Yao		Tyco Electronics Shanghai, P.R.China, 200233	
DIMENSIONS: mm		TOLERANCES UNLESS OTHERWISE SPECIFIED: 0 PLC ±- 1 PLC ±0.2 2 PLC ±0.10 3 PLC ±0.05 4 PLC ±- ANGLES ±-		NAME 3.0mm PITCH 3 PIN SMT TYPE BATTERY CONNECTOR HEIGHT=3.15mm	
MATERIAL SEE NOTES 1		FINISH SEE NOTES 2 3		PRODUCT SPEC 108-60068 APPLICATION SPEC - WEIGHT -	
		CUSTOMER DRAWING		SIZE A3 CAGE CODE 0079 DRAWING NO ©=1932076 RESTRICTED TO SCALE 15:1 SHEET 1 OF 1 REV A2	